



24 cu. ft. Counter Depth French Door Refrigerator

KRFC704F



Stainless Steel with PrintShield™ Finish
KRFC704FPS

Also available in:



Black Stainless
Steel with
PrintShield™ Finish

KRFC704FBS

Capacity

Total Capacity	24 cu. ft.
Refrigerator Capacity	18 cu. ft.
Freezer Capacity	6 cu. ft.

General Features & Properties

- Full-Extension Self-Close Custom Temperature-Controlled Pantry Drawer
- Full-Extension Self-Close Pull Out Tray in Premium Wood Finish
- 3-Tier Self-Close Freezer Drawer with Extend-Freezer™ Setting
- Preserva® Food Care System with Linear Compressor
- In-Door-Ice® System
- Platinum Interior Design with Premium Wood Finish Accents
- Panoramic LED Lighting
- PrintShield™ Finish
- Exterior Ice and Water Dispenser

Electrical Details

Amps	15
Volts	115

Technical Details

Refrigerator Type	French Door
Number of Doors	3
Number of Interior Refrigerator Shelves	4
Number of Refrigerator Door Bins	7
Number of Interior Freezer Shelves	1 Glass, 2 Plastic Drawers
Lighting Type	LED
Ice Maker	Factory Installed
Ice Maker Location	Refrigerator Door
Dispenser Type	Exterior Ice and Water

Dimensions

Product Dimensions (H x W x D)	71-7/8" x 35-13/16" x 31-1/2"
Depth with Door Open 90°	43-5/8"
Cutout Dimensions	Allow extra 1/2" on sides and top Allow extra 1" on rear

Reference Material

[Dimension Guide](#)

[Use & Care Guide](#)

[Energy Guide](#)

[Warranty](#)

Key Features & Benefits

Under-Shelf Prep Zone

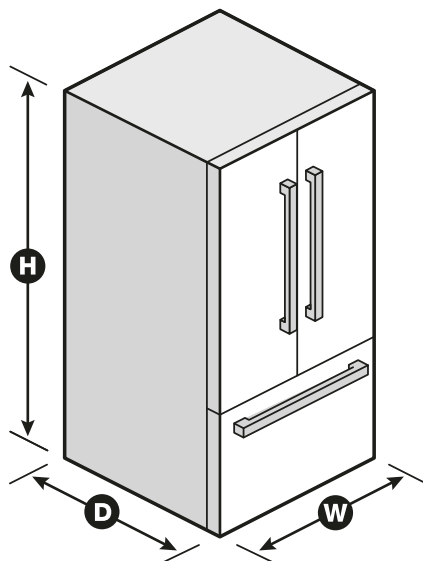
Maximizes shelf and prep space by utilizing empty space beneath the shelf.

Slide-Away Shelf

Half of the shelf folds under to allow room for tall items without having to reorganize.

Full-Extension Self-Close FreshSeal™ Crispers

Full-extension drawers maintain ideal humidity for produce freshness.



NOTE: Dimensions are for planning purposes only. For complete details, see Installation Instructions packed with product. Specifications subject to change without notice.

®/™ © 2020. All rights reserved. Printed in the U.S.A. D200052XXC. KRFC704FSPECSHEETV01.