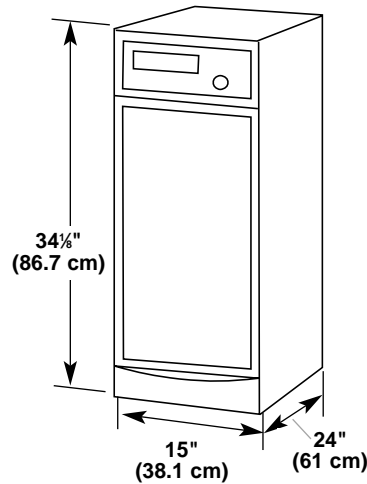


PRODUCT MODEL NUMBERS

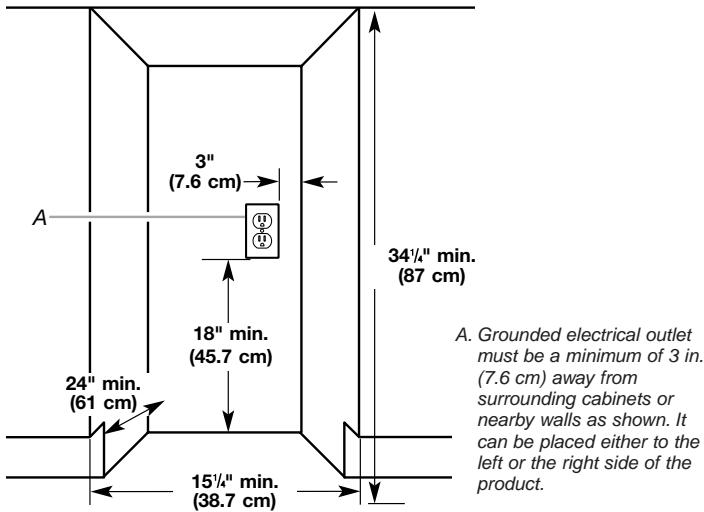
GC900QPK	TC800SPK
GC900QPL	TU800SPK
GC900QPP	TU800SPP
GX900QPL	
GX900QPP	

Electrical: 115-volt, 60-Hz, AC-only, 15- or 20-amp. grounded circuit is required. A time-delay fuse or circuit breaker and separate circuit is recommended.

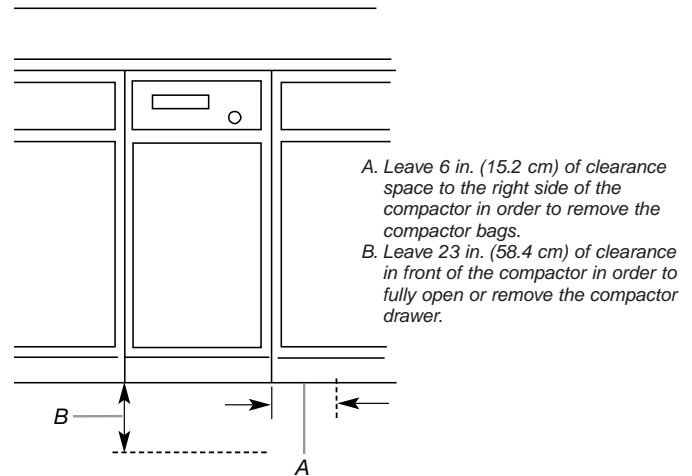
OVERALL DIMENSIONS



CABINET OPENING DIMENSIONS



CLEARANCE DIMENSIONS

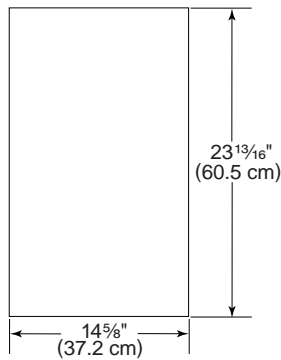


CUSTOM PANELS

With Trim Kit

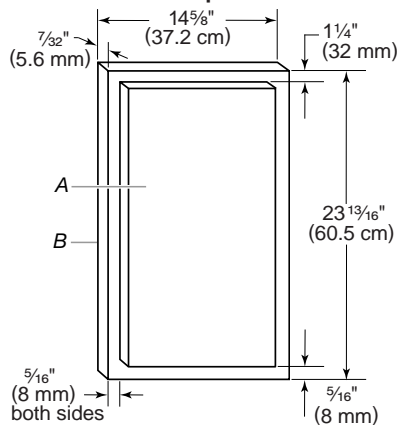
Without Trim Kit

Flat panel



A 7/32 in. (5.6 mm) thick panel is required. This is the same thickness as a standard 1/4 in. plywood or paneling.

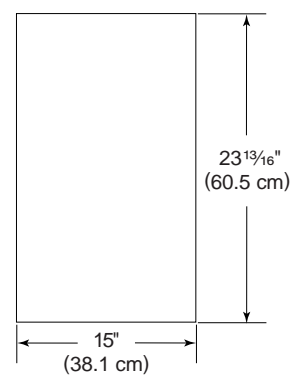
Raised panel



A. Raised panel or decorative trim
B. Outer section of panel

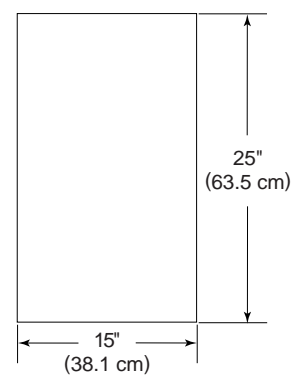
The outer section of panel must be 7/32 in. (5.6 mm) thick to fit into trim. Design raised panel sections using dimensions shown above.

Models with handles



Panel should be 1/2 to 5/8 in. (13 to 16 mm) thick. NOTE: A thicker panel may need rounded front corners and a cutout for access to the handle.

Models without handles



Panel should be 1/2 in. (13 mm) min. thickness