

**EC24/S**

**FEATURES**

Make all your favorite coffee drinks like a professional; brewed coffee, espresso, cappuccino, and more

---

Use whole-bean or pre-ground coffee

---

Brew servings from one ounce to 12 ounces

---

Eliminates the need for plumbing with a built-in water tank

---

Grind with a 13-setting built-in grinder

**ACCESSORIES**

---

Care Kit

---

Descaling Solution

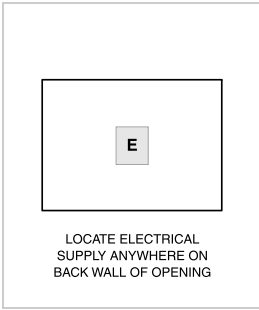
Accessories available through an authorized dealer.  
For local dealer information, visit [subzero-wolf.com/locator](http://subzero-wolf.com/locator).



**PRODUCT SPECIFICATIONS**

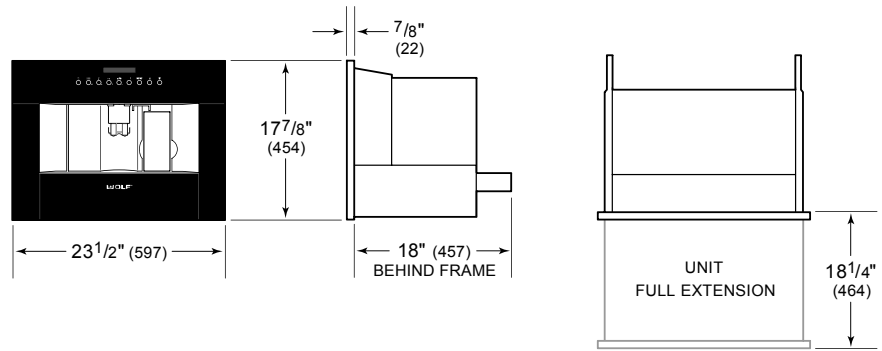
Model	EC24/S
Dimensions	23 1/2"W x 17 7/8"H x 15 1/2"D
Electrical Supply	120 VAC, 60 Hz
Electrical Service	15 amp dedicated circuit
Power Cord Length	6 Feet
Receptacle	3-prong grounding-type

**ELECTRICAL**

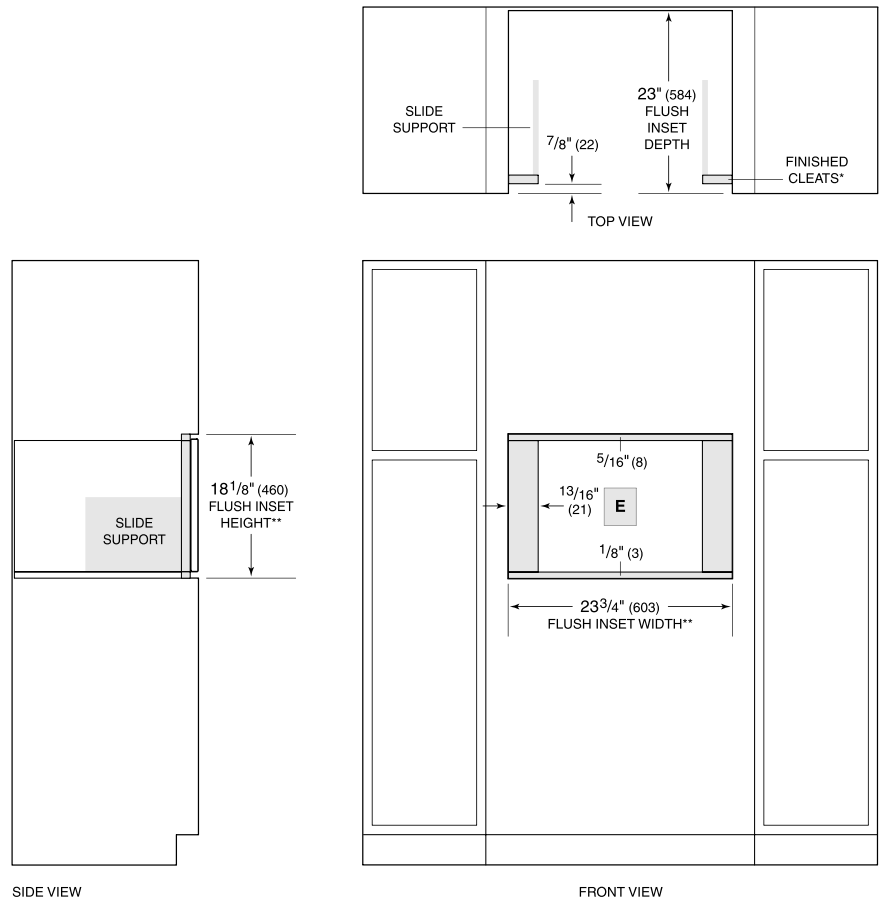


**NOTE:** Dimensions in parenthesis are in millimeters unless otherwise specified

**DIMENSIONS**



**FLUSH INSTALLATION**



\*Will be visible and should be finished to match cabinetry.  
 \*\*Dimension provides minimum reveals.