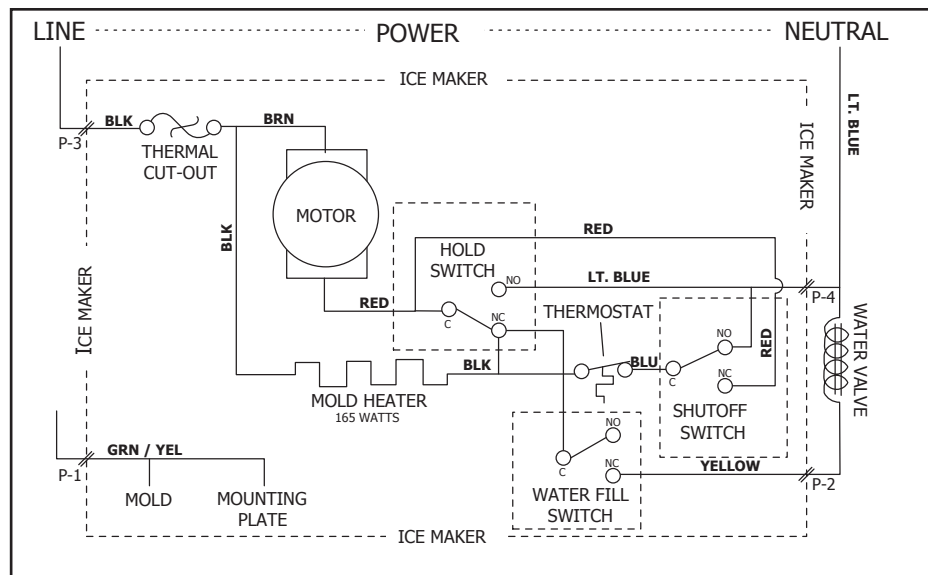


PERFORMANCE DATA NO LOAD & NO DOOR OPENINGS AT 37°/0° CONTROL SETTING					
Type A with Run / Start Capacitor	65°F (18°C) Ambient	90°F (32°C) Ambient			
Operating Time	90 to 100%	100%			
Freezer Temperature	-5° to 2°F (-20° to -17°C)	-1° to 3°F (-18° to -16°C)			
Refrigerator Temperature	34° to 39°F (1° to 4°C)	34° to 39°F (1° to 4°C)			
Low Side Pressure	-2 to 6 psig (-14 to 41 kPa)	-2 to 6 psig (-14 to 41 kPa)			
High Side Pressure (last 1/3 cycle)	85 to 105 psig (586 to 724 kPa)	120 to 135 psig (827 to 931 kPa)			
Wattage (last 1/3 cycle)	30 to 50	50 to 70			
Amps (running)	.4 to .8	.7 to .9			
Base Voltage	115 vac (127 vac max)				
DEFROST SPECIFICATIONS					
Cabinet Size: 27' & 28' SD, 22' CD	Thermal Cutout		Heater		Defrost Thermistor Termination
	Cut-in	Cut-out	Watts	Ohms	Cut-out
	Freezer 110°F (43.3°C)	135°F (57.2°C)	500	26.5	48°F (8°C)
Fresh Food Ice Maker 110°F (43.3°C)	135°F (57.2°C)	70	188.9	68°F (20°C)	
Electronic Timer - (ADC) Defrost 24 minutes every 6-96 hours of compressor run time.					
CONDENSER FAN MOTOR					
Watts	RPM	Amps			
3.1	1100 CW Opposite Shaft	0.03 Running			
FREEZER ICE MAKER SPECIFICATIONS					
Electrical	115 vac (127 vac max)				
Thermostat	Opens at 48°F (9°C), Closes at 15° F (-9°C)				
Heater Voltage	115 vac				

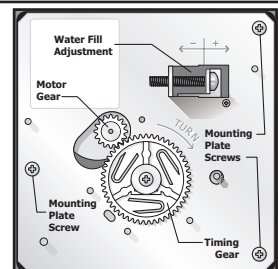


CAUTION
All electrical parts and wiring must be shielded from torch flame. DO NOT allow torch to touch insulation; it will char at 200°F and flash ignite (burn) at 500°F. Excessive heat will distort the plastic liner.

FREEZER ICE MAKER INFORMATION (Where Applicable)

Test Cycling: Remove cover by inserting screwdriver in notch at bottom and prying cover from housing. Use screwdriver to rotate motor gear counterclockwise until holding switch circuit is completed. All components of ice maker should function to complete the cycle.

Water Fill Volume: The water fill adjustment screw will change the fill time. One full turn is equal to 20cc (.68 oz.). The correct fill is 102 to 130cc (3.4 to 4.3 oz.). When a water valve is replaced, the fill volume must be checked.



SERVICE DATA SHEET

A06589001

ICE & WATER - AUTOMATIC DEFROST BOTTOM FREEZER - R134a

IMPORTANT: PLEASE RETURN THIS SHEET TO ITS ORIGINAL LOCATION.

ERROR CODES			SPECIAL MODES				
Display	Interpretation		Mode	Display		Activate	Deactivate
	FZ	FF		FZ	FF	(press for up to 10 sec. simultaneously)	
--	OP	Open FF Cavity Thermistor	Manual Defrost	d	F	+ and -	Same to deactivate
OP	--	Open FZ Cavity Thermistor	Demo / Showroom	77	77	^ and -	Unplug to deactivate
--	SH	Shorted FF Cavity Thermistor	Sabbath	Sb	Sb	v and +	Same to deactivate
SH	--	Shorted FZ Cavity Thermistor	System Diagnostic	No FF or FZ display, all UI LEDs on		^ and v	Press and hold + to deactivate
SY	CF	UI to Main Board communication failure; on start up	Current Air Temps	FZ Temp	FF Temp	v and + and Water	Automatically after 10 sec
SY	CE	UI to Main Board communication error; after a period in operation	FFIM Diagnostic	Numerical display of first test		^ and +	Press and hold + to deactivate
SY	EF	Freezer Evaporator Fan Failure	Notes: • Always check for pin back-outs, pinched or damaged wires before replacing components. • Determine whether failure is caused by the component, main control board or wiring. Contact TID before replacing main control board. • Refer to Service Manual for additional information.				
dl	SP	Ice Chute Door is open; check for obstruction					

FRESH FOOD ICE MAKER DIAGNOSTIC MODE		
Activate:	Press ^ and + temperature pads for up to 10 sec. simultaneously. Press + or - to move forward or backward through tests.	
Deactivate:	Press + for up to 10 sec. FFIM Diagnostic Mode will automatically deactivate after 5 min. of inactivity. NOTE: Silence alarm.	
Test	To activate test	Passing Result
52C	Ice Maker Thermistor Activates automatically	FZ display shows temperature sensed by Ice Maker Thermistor. "OP" if open; "SH" if short
55C	Water Valve Press set	Remove ice tray to collect water into a measuring container to measure water fill. If collecting water into ice tray, first perform test 63C to empty ice tray.
57C	Evaporator Fan (FFIM) Press set	"On" on FZ display when fan activated, "OFF" when deactivated.
58C	Ice Level Sensor Activates automatically	Remove ice bucket. Allow bail arm to drop freely. Pass if no alarm when tray returns to "home" position. Hold bail arm up. Pass if alarm sounds when tray returns to "home" position. This test runs continuously until another test is selected.
63C	Twist Tray Press set	Remove ice bucket. FZ display shows "1" and "GOOD".

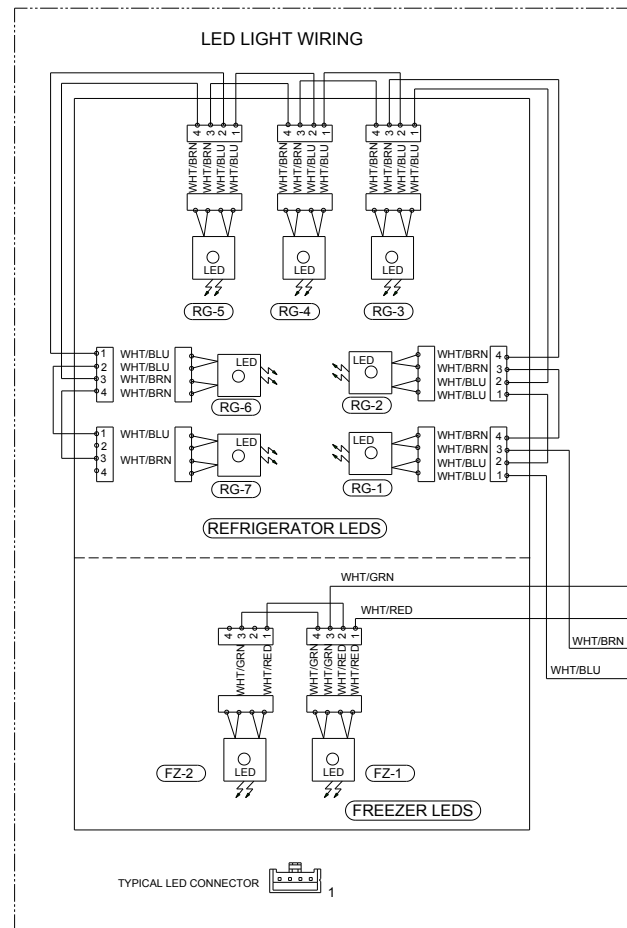
FRESH FOOD ICE MAKER FILL TIME ADJUSTMENT MODE		
NOTE: First consider water filter condition before adjusting fill time.		
Activate:	Press and hold the Water and Crush pads for up to 10 seconds. Press + or - to adjust between the 3 fill settings.	
Deactivate:	Exits automatically after 10 seconds, or press any button other than + or -.	
Display	Description	
FZ	FF	
IC	-	Min Fill Time (default)
	=	Mid Fill Time
	≡	Max Fill Time

SYSTEM DIAGNOSTIC MODE			
Activate:	Press ^ and v for up to 10 sec. simultaneously. Press + to advance through tests.		
Deactivate:	Press + for up to 10 sec. Diagnostic Mode will automatically deactivate after 5 min. of inactivity. Note: Silence alarm.		
<ul style="list-style-type: none"> Tests marked with "*" may not be applicable to this unit and will not be displayed in System Diagnostic Mode. Tests displayed in diagnostic mode but not described below are for internal purposes only; advance through. View UI display for "on," "off," "CL," "OP," "SH," "LO," "HI" or numerical results of tests. Listen for operating sounds; feel for heat or air flow as appropriate to determine results of tests. 			
Test	To activate test:	Passing result	
--	First Screen	--	All LEDs on UI illuminated, except digit displays.
--	Second Screen	--	All segments of UI digit displays illuminated.
--	Third Screen	--	Blank UI display, no LEDs illuminated.
28	Dispenser Paddle	Press disp. paddle	"On" on UI when depressed; "off" when released
46	Humidity Sensor	Activates automatically	"OP" if open, "SH" if short. AC Heater System: Displays %RH. DC Heater System: "HI" - heater should be on. "LO" - heater should be off. %RH is displayed when humidity is between "Lo" and "HI" values; heater could be on or off.
47	Dispenser Pocket Heater	Press set	Heater on when "on" off when "off".
2	Freezer Defrost Heater	Press set	Freezer defrost heater on when "on"; off when "off". Evaporator thermistor temperature is flashed. Watch for temp increase with the heater on. It may take a few minutes for the evaporator to heat up.
8	Water Valve (Dispenser)	Press set	FF door must be closed. Be prepared to collect water at dispenser. Water dispenses when "on"; stops when "off"
10	Auger Motor	Press set	FF door must be closed. Motor running when "on"; motor stopped when "off"
11	Cube/Crush Solenoid	Press set	FF door must be closed. Do not leave solenoid in activated state. Solenoid activated when "on"; deactivated when "off".
12	Condenser Fan	Press set	Fan running when "on"; stopped when "off"
43	Mullion Anticondensation Heater	Press set	Flip mullion heater on when "on"; off when "off"
38	VCC Compressor	Press set	Compressor running when "on"; off when "off"
13	FF Lights	Press set	FF lights on when "on"; off when "off"
15	Freezer Evaporator Fan	Press set	Press to toggle between "off", "LO" and "HI". A current sensor reading is flashed (units are not mA). OFF reading should be around 2. "LO" speed reading should settle down to around 9. "HI" speed reading should settle down above 40.
20	FZ Lights	Press set	FZ lights on when "on", off when "off"
22	Damper	Press set	Perform test 15 and set fan to "HI". Then check for air flow when open "OP"; and no air leaks when closed "CL"
36	Ice Chute Door	Depress ice chute door or press set	"OP" on UI when manually opened; "CL" when closed. Or using "power on-off", motor drive door open "OP" or closed "CL"
23	FF Door	Open/Close FF door	"CL" on UI when door closed; "OP" when open
24	FZ Door	Open/Close FZ door	"CL" on UI when door closed; "OP" when open
26	Ice Maker Defrost Heater	Activates automatically	Heater is turned on automatically. The ice maker evaporator thermistor temperature is flashed. Watch for temp increase with the heater on. It may take a few minutes for the evaporator to heat up.
29	FF Thermistor	Activates automatically	UI shows temperature sensed by FF thermistor; pass if within 10°F of temperature measured with gauge at FF thermistor location. "OP" if open; "SH" if short
30	FZ Thermistor	Activates automatically	UI shows temperature sensed by FZ thermistor; pass if within 10°F of temperature measured with gauge at FZ thermistor location. "OP" if open; "SH" if short
33	Ambient Thermistor @ Main Board	Activates automatically	UI shows temperature sensed at main board; pass if within +20°F/-10°F of temperature measured with gauge at main board location. "OP" if open; "SH" if short
34	Ambient Thermistor @ UI	Activates automatically	UI shows temperature sensed at UI; Pass if within +20°F/-10°F of temperature measure with gauge at UI location. "OP" if open; "SH" if short.
39	Freezer Evaporator Thermistor	Activates automatically	UI shows temperature sensed by freezer evaporator thermistor; pass if within 10°F of temperature measured with gauge at evaporator thermistor location. "OP" if open; "SH" if short
45	Ice Maker Mold Thermistor	Activates automatically	UI shows temperature sensed at ice maker; pass if within +20°F/-10°F of temperature measured with gauge at ice maker mold. "OP" if open; "SH" if short
68	Ice Maker Evaporator Thermistor	Activates automatically	UI shows temperature sensed by evaporator thermistor; pass if within 10°F of temperature measured with gauge at evaporator thermistor location. "OP" if open; "SH" if short
0-	Firmware Parameters	Press set	Displays digit sequence; record
1-	Main Board Firmware	Press set	Displays digit sequence; record
3-	UI Firmware	Press set	Displays digit sequence; record

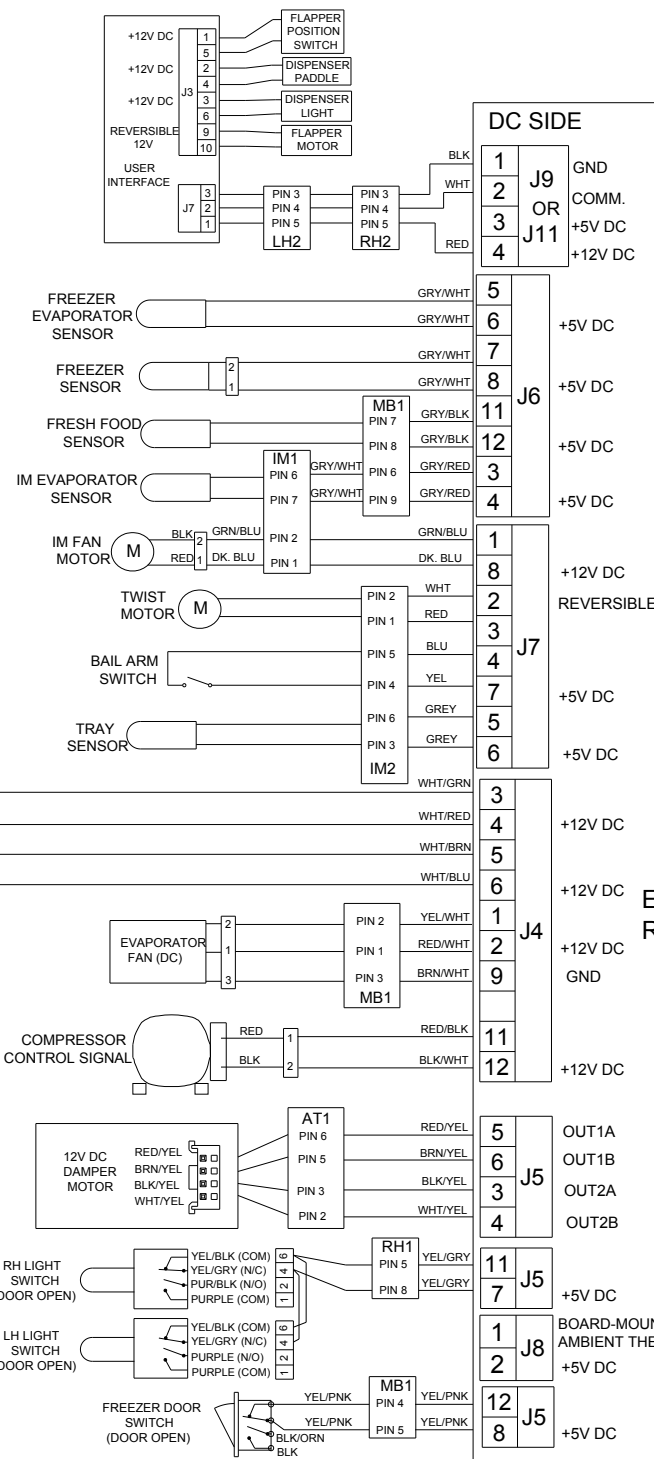
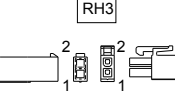
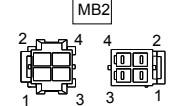
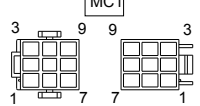
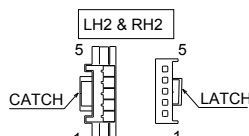
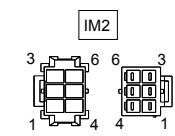
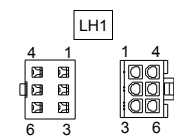
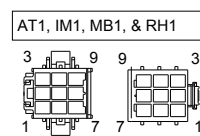
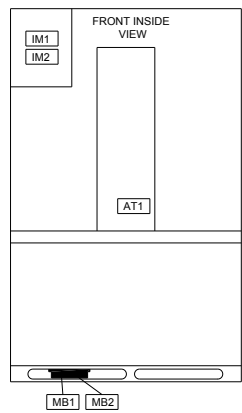
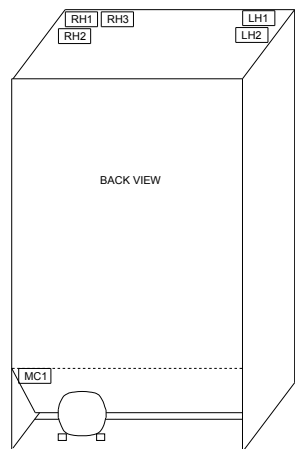
IMPORTANT SAFETY NOTE
The information provided herein is designed to assist qualified repair personnel only. Untrained persons should not attempt to make repairs due to the possibility of electrical shock. Disconnect power cord before servicing this appliance.

IMPORTANT
If any green grounding wires are removed during servicing, they must be returned to their original position and properly secured.

VCC COMPRESSOR MOTOR RESISTANCE CHECK	
Check resistance between terminals 1 and 2, 2 and 3, 3 and 1. If all resistances are equal, compressor is operative.	



ABBR.	EXPLANATION
AT1	9 PIN CONNECTION AT AIR TOWER
IM1	9 PIN CONNECTION IN FRESH FOOD ICEMAKER COMPARTMENT
IM2	6 PIN CONNECTION IN FRESH FOOD ICEMAKER COMPARTMENT
LH1	6 PIN CONNECTION AT THE LEFT DOOR UPPER HINGE
LH2	5 PIN CONNECTION AT THE LEFT DOOR UPPER HINGE
MB1	9 PIN CONNECTION IN THE MAIN BOARD HOUSING BEHIND THE TOE GRILLE
MB2	4 PIN CONNECTION IN THE MAIN BOARD HOUSING BEHIND THE TOE GRILLE
MC1	9 PIN CONNECTION IN THE MACHINE COMPARTMENT TO THE LEFT OF THE COMPRESSOR
RH1	9 PIN CONNECTION AT THE RIGHT DOOR UPPER HINGE
RH2	5 PIN CONNECTION AT THE RIGHT DOOR UPPER HINGE
RH3	2 PIN CONNECTION AT THE RIGHT DOOR UPPER HINGE



ERF2500++ISO REFRIGERATOR CONTROL

