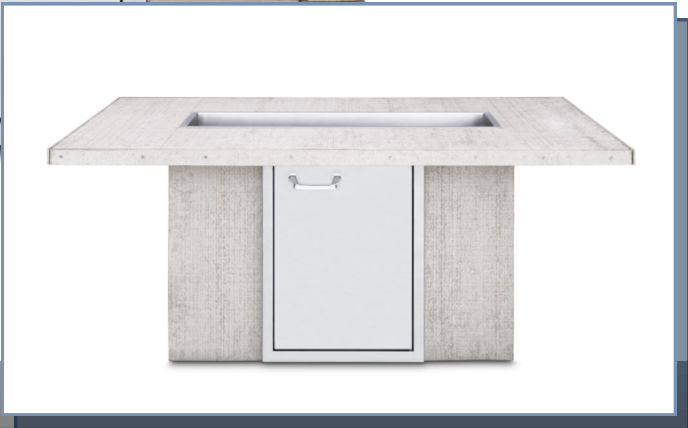




Fire Pit shown with optional finishes



# SEDONA READY TO FINISH FIRE PIT ASSEMBLY INSTRUCTIONS

# SEDONA by LYNX™ READY TO FINISH FIRE PIT ASSEMBLY INSTRUCTIONS

## IMPORTANT SAFEGUARDS



### WARNING

Two to three people are needed to set up the fire pit. Failure to do so may result in injury.



### WARNING

Do not store or use gasoline or other flammable liquids in the vicinity of this or any other appliance.  
Do not store an extra LP bottle near the fire pit.

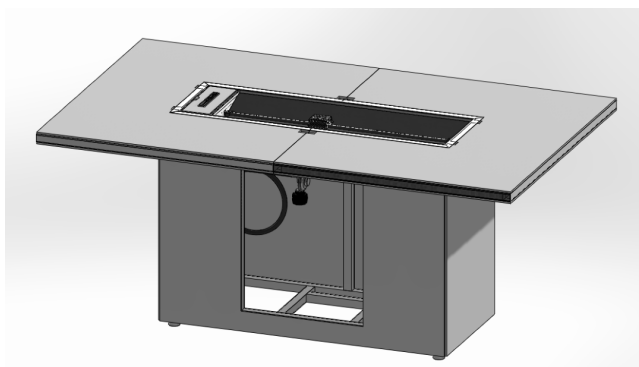


### CAUTION

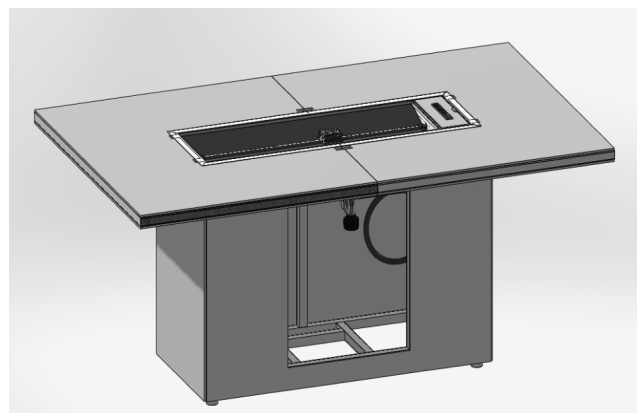
Never attempt to lift the fire pit by the counter top as serious damage may occur.

Plan your fire pit location prior to beginning any set up. The fire pit must be installed and leveled in its final location. Moving the fire pit once complete is not advised as damage may occur.

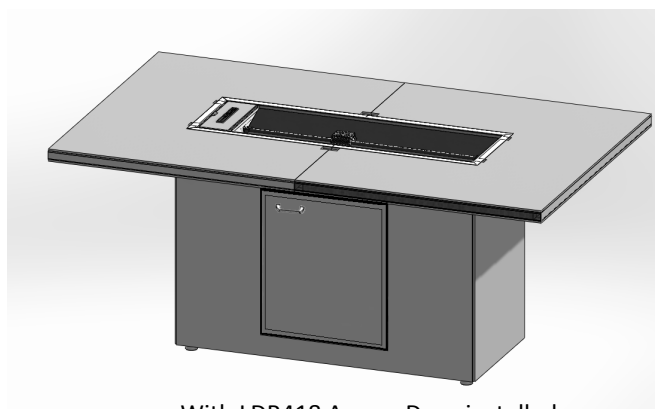
### Ready to Finish Fire pit Orientation Configurations



Left Hand Control Side



Right Hand Control Side



With LDR418 Access Door installed

# SEDONA by LYNX™ READY TO FINISH FIRE PIT ASSEMBLY INSTRUCTIONS

Congratulations on your purchase of the SEDONA by LYNX™ Ready to Finish Fire pit. The prefabricated unfinished fire pit can be assembled in no time at all. Minimal tools are necessary for assembly. The fire pit comes ready for you to add your own personal touch in components, finishes and countertops.



Before you begin the fire pit installation you will need to plan ahead. Some things to consider:

## **Power Supply and Venting:**

The Ready to Finish Fire pit is not pre drilled or cut for venting access. You will have to cut through the rear panel. When creating a vent, we recommend 4" x 14" at the rear of the pit. The vent should be near the top for natural gas: closer to the bottom if using LP gas. Cover vents with louvered stainless steel covers if desired.

## **Fire pit Orientation:**

While you have the option of a left hand or right hand orientation, consider positioning the fire pit to take advantage of natural wind breaks.

## **Leveling the Fire pit:**

If the base is not level, adjust the legs before the top panels and tray are installed. If the fire pit is not leveled correctly the panels could be misaligned and cannot be adjusted once assembly is complete.

## **Assembling the Fire pit:**

You will need a Philips head screwdriver to install the screws which hold the top panel in place.

If you have any questions or comments please contact Lynx Customer Care:

Lynx Professional Grills

7300 Flores Street.

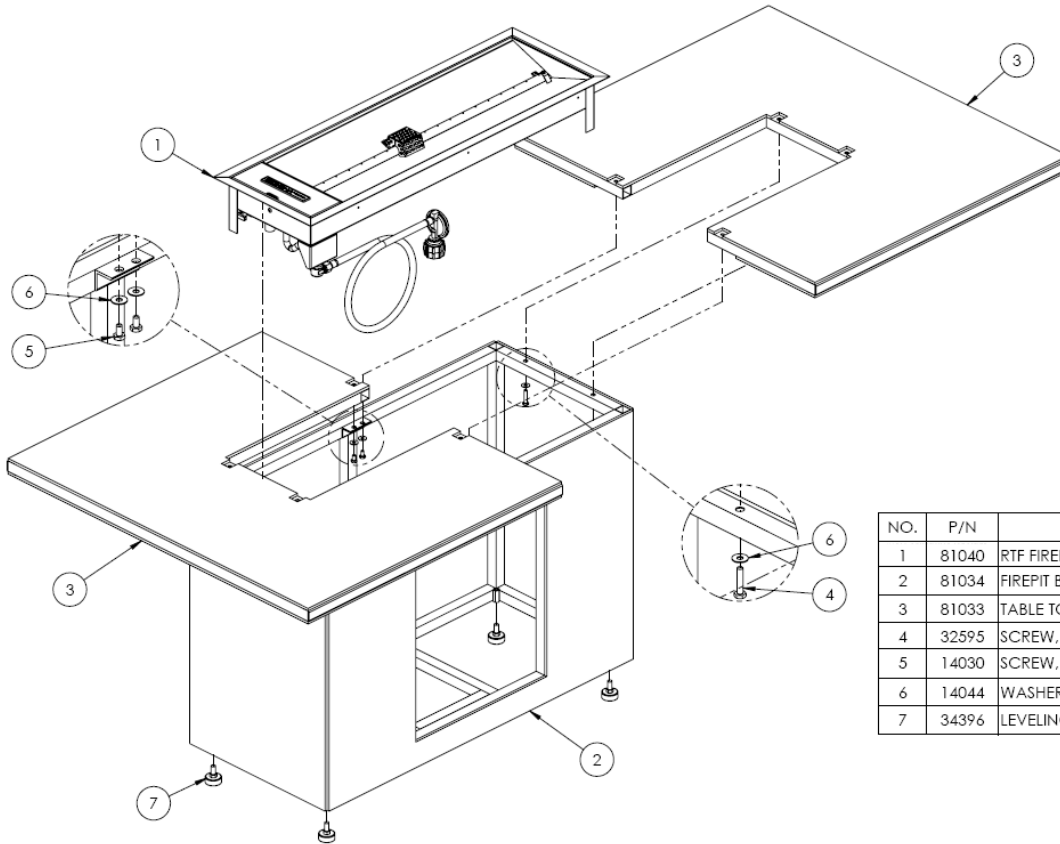
Downey CA 90242

Lynx Customer Care 888.289.5969

# SEDONA by LYNX™ READY TO FINISH FIRE PIT ASSEMBLY INSTRUCTIONS

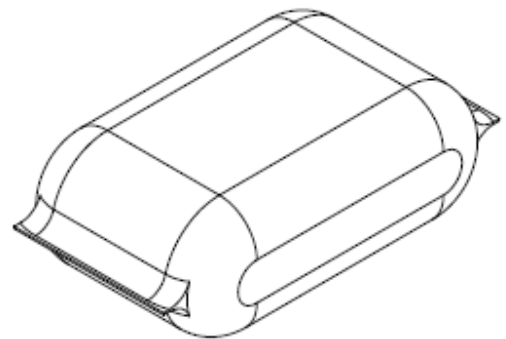
## Fire Pit Body Components

1 ASSEMBLE AS SHOWN



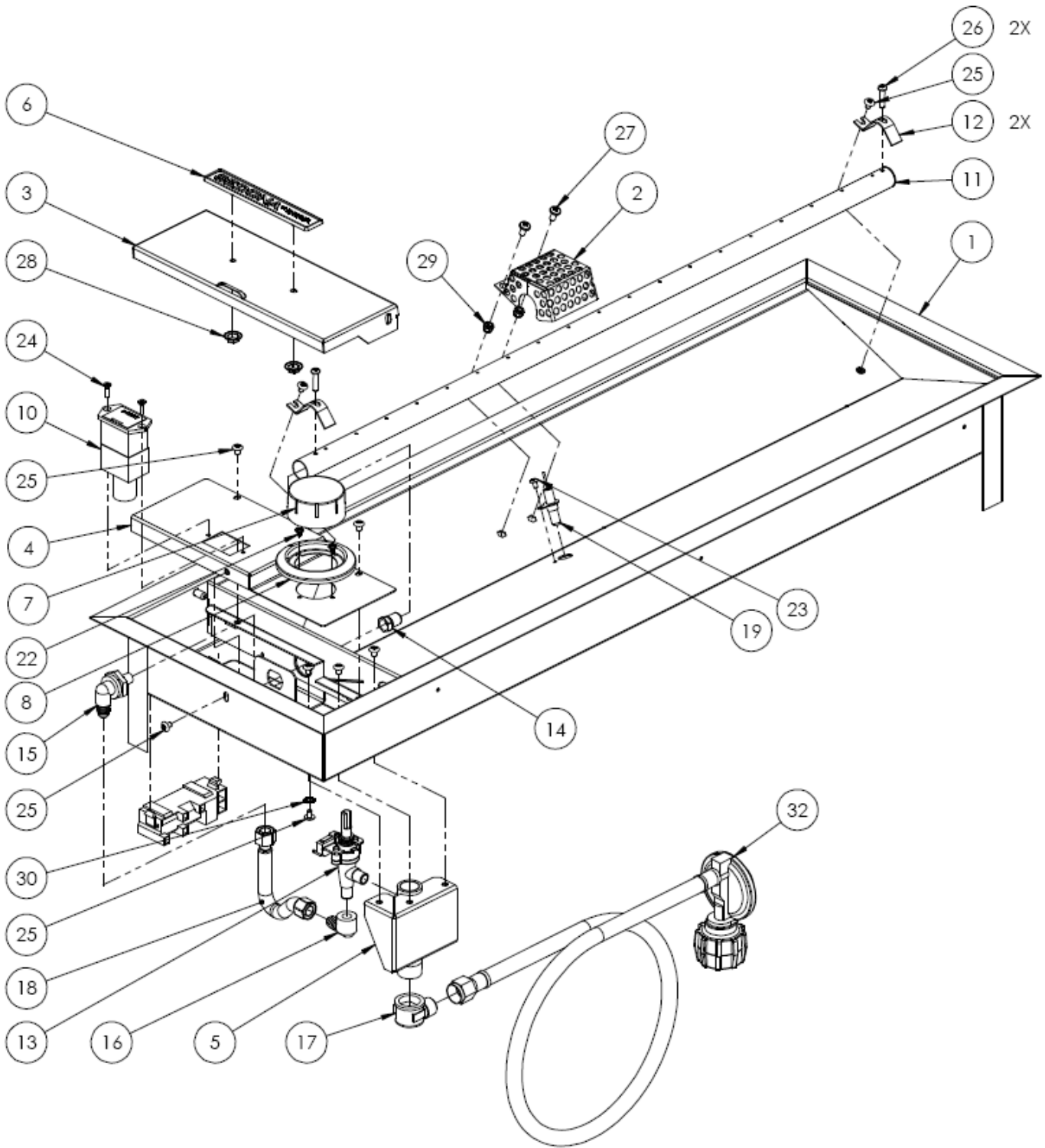
NO.	P/N	DESCRIPTION	QTY.
1	81040	RTF FIREPIT PAN ASSY	1
2	81034	FIREPIT BASE ASSY.	1
3	81033	TABLE TOP HALF ASSY	2
4	32595	SCREW, 1/4-20 X 1 1/4, HHD, SS	4
5	14030	SCREW, 1/4-20 X 1/2, HHD, SS	4
6	14044	WASHER, 1/4, FLT, SS, 11/16 O.D.	8
7	34396	LEVELING MOUNT	4

Each Ready to Finish Fire Pit includes a 15 lbs. bag of lava rock approximately 1/2" -1/4" in size. Black/Grey in color.



# SEDONA by LYNX™ READY TO FINISH FIRE PIT ASSEMBLY INSTRUCTIONS

## Exploded Parts Diagram



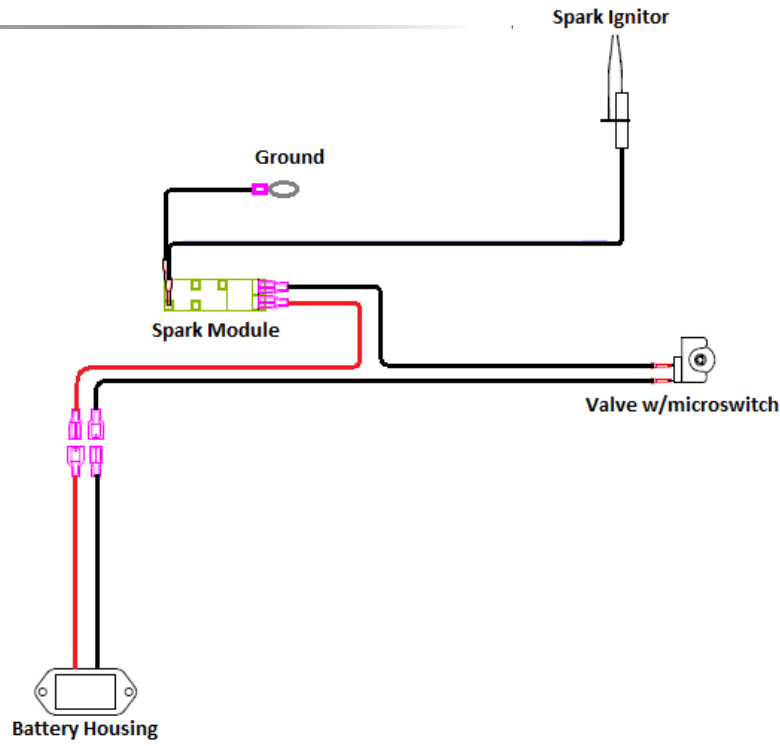
# SEDONA by LYNX™ READY TO FINISH FIRE PIT ASSEMBLY INSTRUCTIONS

## Fire Pit Parts List

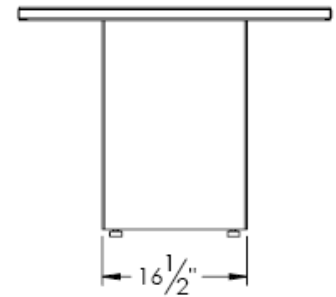
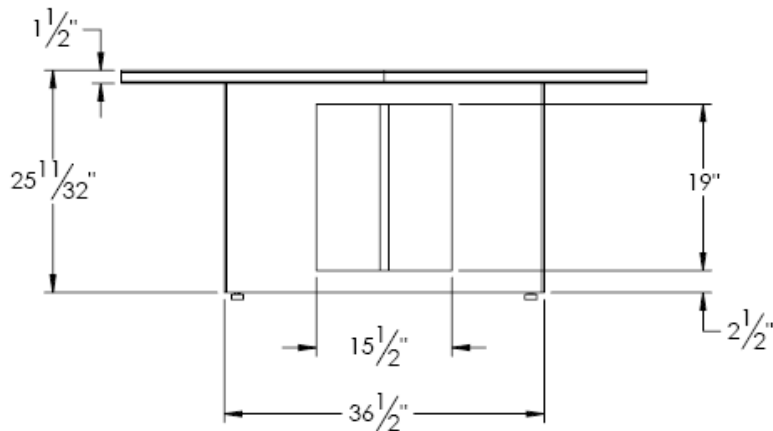
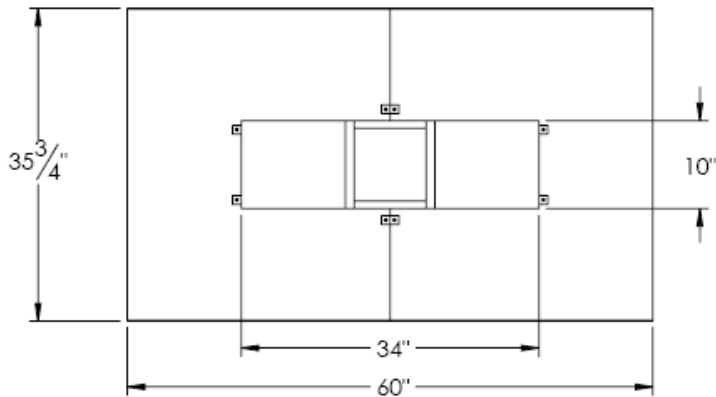
NO.	P/N	DESCRIPTION	QTY.
1	70478	PAN, ASSEMBLY, WLDMT	1
2	35919	COVER, IGNITER, FIREPIT	1
3	35788	COVER, CONTROL	1
4	70482	FACEPLATE, CONTROL, WLDMT	1
5	70479	MANIFOLD WLDMT	1
6	34106	LOGO, SEDONA SMALL	1
7	31773	KNOB, BURNER	1
8	10001	BEZEL, KNOB	1
9	31162	IGNITOR, 2 SPARK	1
10	35925	BATTERY HOLDER, MOD	1
11	35867	BURNER, RTF FIREPIT	1
12	35918	BRKT, FASTENER, BURNER TUBE	2
13	34103	VALVE, MAIN BURNER W/SPRING, RED	1
14	13013	ORIFICE, #41 S	1
15	31795	FTNG, ELBOW 90 DEG. 1/4" TUBE, BRASS	1
16	34038	FTNG, ELB 90, ADP, 3/8-27 F X 7/16-20 M	1
17	13054	ELBOW, 3/8" FLARE TO 1/2" FIP	1
18	32836	FLEX TUBE, S/S, 3/8" X 9"	1
19	35923	ELECTRODE, PRE BURNER, 30" MOD	1
20	31227	WIRE, GROUND, 11"	1
21	35924	WIRE, VALVE TO MODULE, IGNITER	1
22	32816	SCREW, #6-32 X 3/16, PHP, SS	2
23	34035	SCREW, #6-32 X 1/4, THP, SS	1
24	30751	SCREW, #6-32 X 1/2, FHP, SS	2
25	32389	SCREW, #8-32 X 1/4, THP, SS	9
26	33507	SCREW, #8-32 X 3/4, PHP, SS	2
27	33706	SCREW, #10-32 X 3/8, PHP, SS	2
28	14023	NUT, #10-40, SPEED, STEEL	2
29	32768	NUT, #10-32, INSERT, STEEL, ZINC	2
30	31059	WASHER, #10, ESL	1
31	35149	CABLE TIE, HI-TEMP, 4"	AR
32	13026	LP REGULATOR W/36" HOSE	1

# SEDONA by LYNX™ READY TO FINISH FIRE PIT ASSEMBLY INSTRUCTIONS

## Wiring Diagram



## Dimensions



# SEDONA by LYNX™ READY TO FINISH FIRE PIT ASSEMBLY INSTRUCTIONS

## Installation

### Step 1

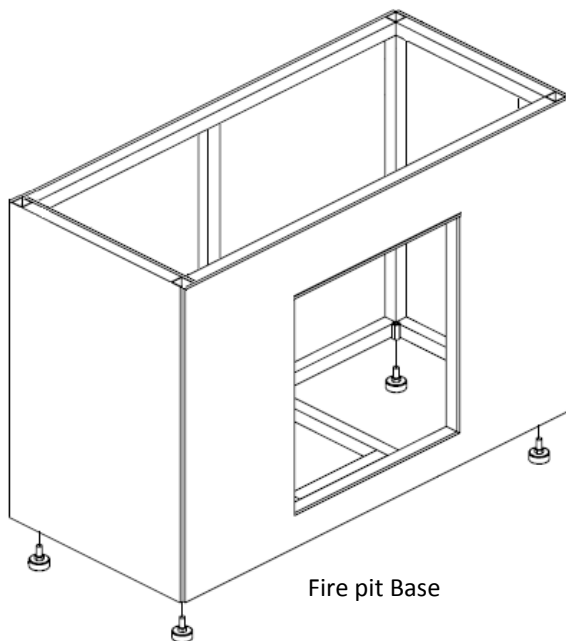
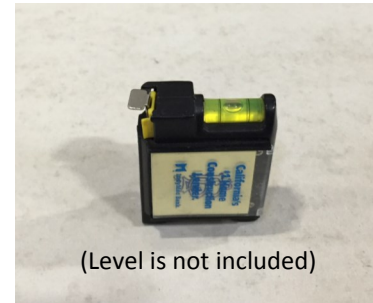
#### Unpacking the Box

Remove the staples and binding straps from the outside of the box. From inside the box, remove the foam and packing materials. Separate the fire pit components from the box.

### Step 2

#### Position and Level the Base

Place the fire pit base on a level surface in its final location and proceed to verify the fire pit base is level in all directions. The bottom panel has adjustable feet for this purpose. **DO NOT OMIT THIS STEP.** If the base is not leveled correctly the fire pit will be misaligned.





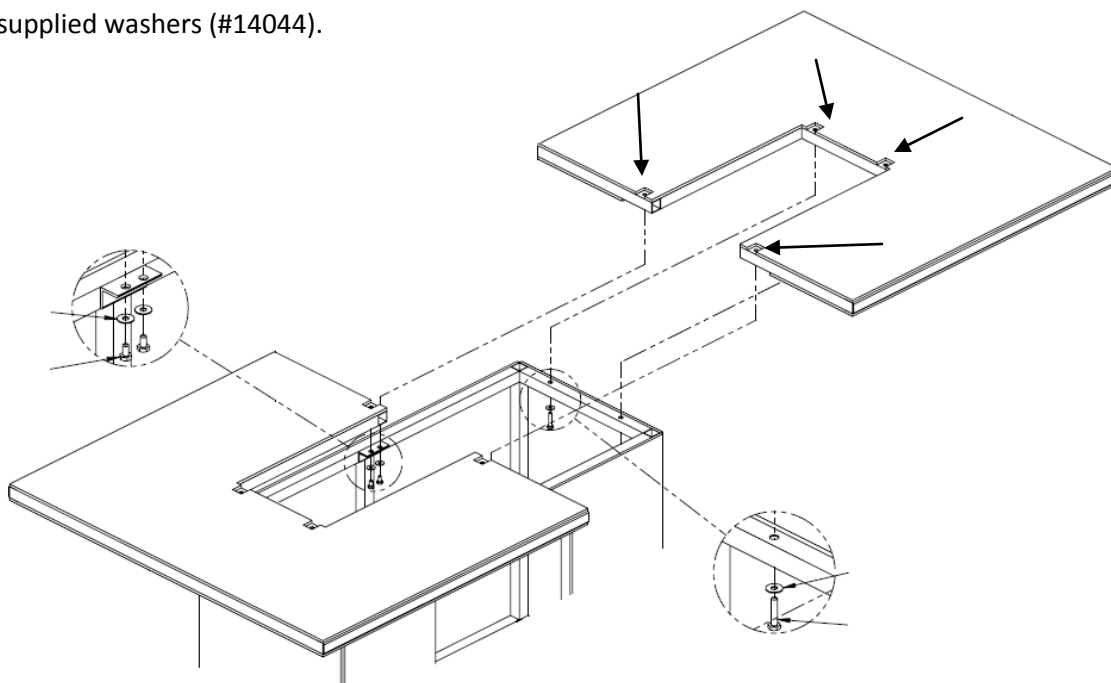
## Installation...continued

### Step 3

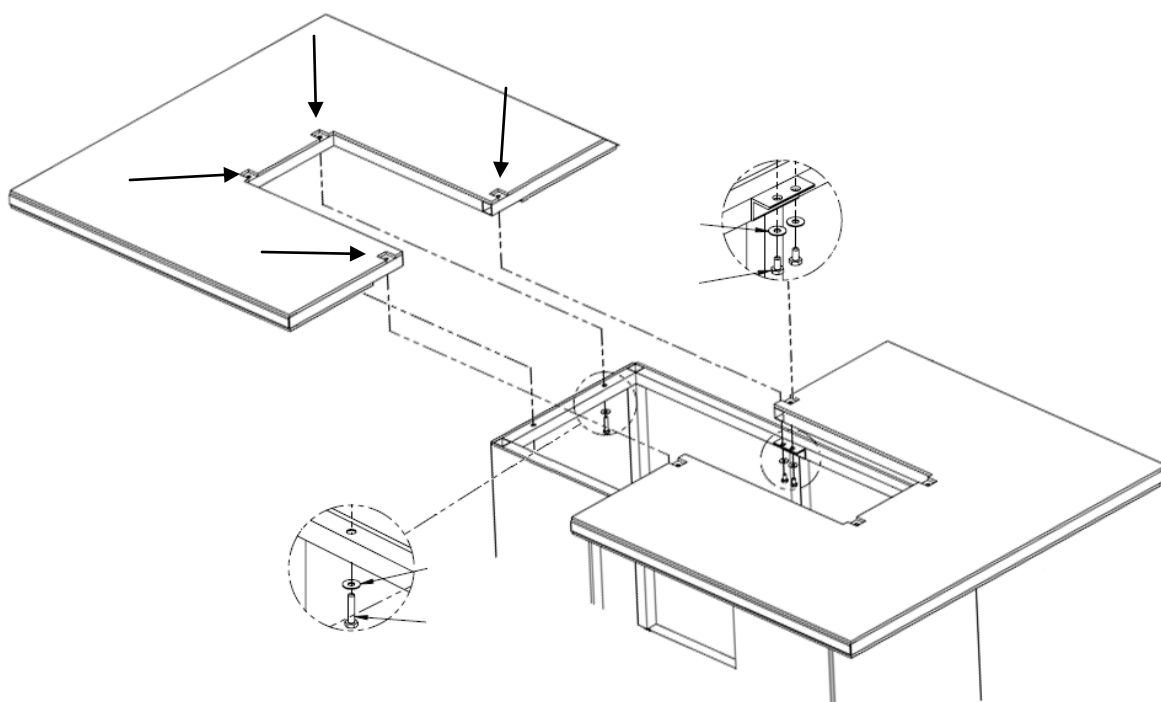
#### Assembling the Top Panel

The top panel comes in two parts. Secure the right hand top panel to the base using two of the supplied four Philips head screws (#32595) and two of the eight supplied washers (#14044) on the two far right positions of the panel.

Secure the panel to the center of the base with two of the supplied four Philips head screws (#14030) and two of the eight supplied washers (#14044).



Repeat the same steps for the left hand top panel



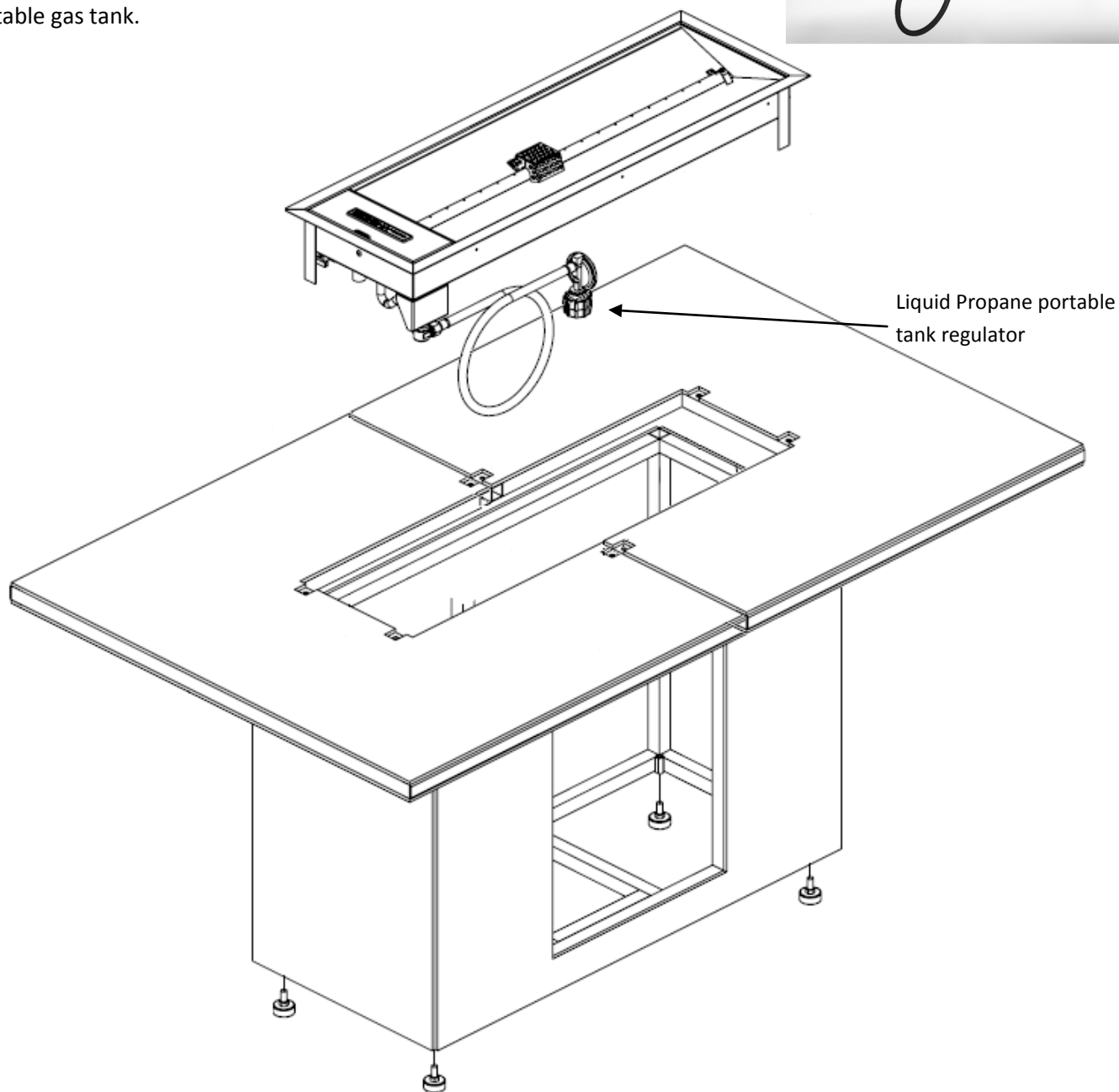
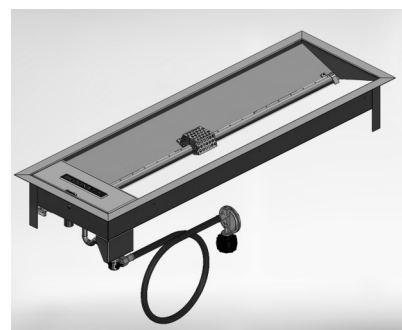
# SEDONA by LYNX™ READY TO FINISH FIRE PIT ASSEMBLY INSTRUCTIONS

## Installation...continued

### Step 4

#### Installing the Control Panel

The fire pit control panel drops right into the opening of the base once the two top panels have been secured. You will need to connect the gas regulator to portable gas tank.



## Lighting Instructions

Step 1: Make sure the gas valve on the tank is open.

Step 2: Start the spark igniter by pressing the knob, and turn the knob to light, while holding it down.

Step 3: Once ignition occurs, release the knob and adjust the temperature to your preference. If the burner does not light  
In 4 seconds, wait 5 minutes for gas to dissipate and repeat step 2.

# SEDONA by LYNX™ READY TO FINISH FIRE PIT ASSEMBLY INSTRUCTIONS

## SEDONA by LYNX™ Ready to Finish Fire pit Limited Warranty

### I. Limited Lifetime Warranty – Fire pit Frame Panels

The base, sides and counter-top of the fire pit are warranted to be free from defects in material and workmanship, when subjected to normal domestic use and service, for a Lifetime. This warranty is limited to the repair or replacement of the defective parts.

### II. Limitations & Exclusions

1. This Warranty shall apply to products purchased and located in the United States and Canada. Products must be purchased in the country where service is requested.
2. Warranty applies only to the original purchaser and may not be transferred.
3. Warranty is in lieu of all other warranties expressed or implied and all other obligations or liabilities related to the sale or use of its grill products.
4. Warranty shall not apply and Lynx is not responsible for damage resulting from misuse, abuse, alteration of or tampering with the appliance, accident, hostile environment, flare-up fires, improper installation, or installation not in accordance with the instructions contained in this manual, or the local codes.
5. Lynx shall not be liable for incidental, consequential, special or contingent damages resulting from its breach of this written warranty or any implied warranty.
6. Some states do not allow limitations on how long an implied warranty lasts, or the exclusions of or limitations on consequential damages. This warranty gives you specific legal rights and you may have other rights which vary from state to state.
7. No one has the authority to add to or vary Lynx's warranty, or to create for Lynx any other obligation or liability in connection with the sale or use of its products.
8. Limited to the replacement of defective parts with the owner paying all other costs including labor.

### III. What is not covered: Lynx shall not be responsible for and shall not pay for the following:

1. Installation or start-up, damages or problems caused by improper installation or use;
2. Service by an unauthorized service provider;
3. Damage or repair due to service by an unauthorized service provider or use of unauthorized parts;
4. Warranty does not apply to products installed in any commercial or non-residential application. Examples of excluded applications include, but are not limited to day care centers, schools, bed and breakfast centers, churches, private clubs, fire stations, club houses, common areas in multi-family dwellings, restaurants, hotels, nursing homes, food service locations and institutional food service locations.
5. To correct normal adjustments or settings, due to improper installation, commissioning or local gas supply properties;
6. Shipping and handling costs, export duties, installation, removal, or re-installation cost.
7. Display models are generally sold "as is." If you have purchased a display model, please be advised that it is sold "as is" and that it is subject to the following warranty exclusions: any exterior or cosmetic damage is non-warrantable; any missing components will be replaced at consumers expense; major handling damage to manifold, valve and ignition system will be serviced at consumer's expense; all other warranty's (standard warranty) will remain in effect.
8. The cost of a service call to diagnose trouble.



The best outdoor kitchen products come from:

Lynx Grills, Inc.  
7300 Flores Street  
Downey, CA 90242

For more information please call,  
**1-888-289-5969** or visit [www.lynxgrills.com](http://www.lynxgrills.com)