

UNIVERSAL MAKE-UP AIR DAMPER

When range hoods exhaust air out of your home, negative air pressure is created unless the exhausted air is replaced by fresh outdoor air. Zephyr's Universal Make-Up Air Damper is designed to balance the air pressure in your home by automatically opening to allow fresh air in while the range hood is operating.

For use with any Zephyr hood operating over 300 CFM.

MODEL	DAMPER SIZE	CFM LEVEL <i>of range hood motor</i>
MUA006A	6" round	up to 600 CFM
MUA008A	8" round	up to 1,000 CFM
MUA010A	10" round	up to 1,200 CFM

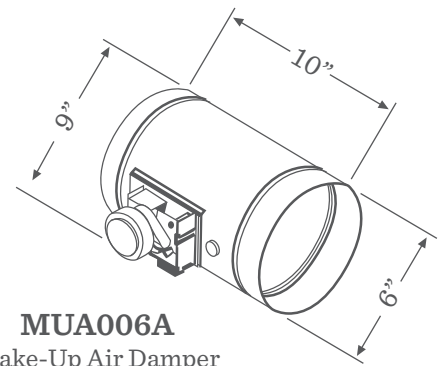
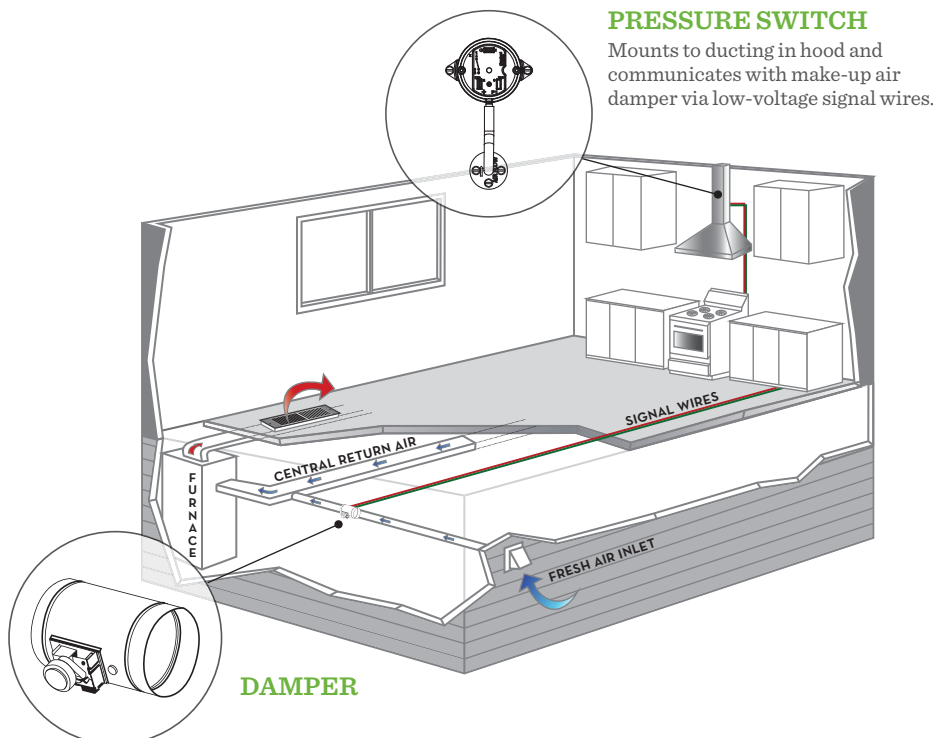
FEATURES

- 24 VAC, 60 Hz AC motor
- Meets International Residential Code M1503.4
- Automatically opens when range hood is operating
- Automatically closes when range hood is off
- 24-gauge galvanized steel construction
- Adjustment screw to adjust damper opening

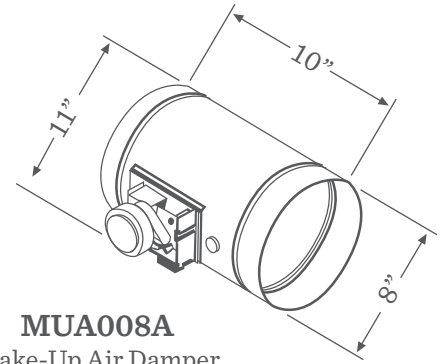
OPTIONAL ACCESSORIES

- AK00030 Fresh air inlet cap with screen, 6" round
- AK00032 Fresh air inlet cap with screen, 8" round
- AK00052 Fresh air inlet cap with screen, 10" round

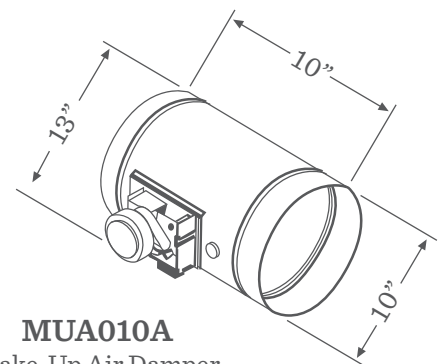
Typical Installation



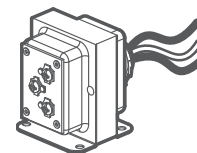
MUA006A
Make-Up Air Damper



MUA008A
Make-Up Air Damper



MUA010A
Make-Up Air Damper



Transformer
Installs next to damper.
Included with MUA006A, MUA008A & MUA010A

Pressure Switch Components

Included with MUA006A, MUA008A & MUA010A

