

# BUILT-IN MICROWAVE OVEN INSTALLATION INSTRUCTIONS

24" (61.0 cm), 27" (68.6 cm), 30" (76.2 cm)

This product is suitable for use above electric or gas built-in ovens, and below non-vented electric or gas cooktops. This product is not suitable for use below downdraft cooktops.

These Installation Instructions cover different models. The appearance of your particular model may differ slightly from the illustrations in these Installation Instructions.

## Table of Contents

<b>BUILT-IN OVEN MICROWAVE SAFETY</b> .....	<b>1</b>
<b>INSTALLATION REQUIREMENTS</b> .....	<b>2</b>
Tools and Parts .....	2
Location Requirements .....	2
Minimum Dimensions .....	3
Product Dimensions .....	4
Electrical Requirements.....	5
<b>INSTALLATION INSTRUCTIONS</b> .....	<b>6</b>
Install the Microwave Oven (24" [61.0 cm] Installation Only).....	6
Install the Microwave Oven (27" [68.6 cm] or 30" [76.2 cm] Installation Only).....	7
Complete Installation.....	8
<b>ASSISTANCE</b> .....	<b>8</b>

## BUILT-IN MICROWAVE OVEN SAFETY

### Your safety and the safety of others are very important.

We have provided many important safety messages in this manual and on your appliance. Always read and obey all safety messages.



This is the safety alert symbol.

This symbol alerts you to potential hazards that can kill or hurt you and others.

All safety messages will follow the safety alert symbol and either the word "DANGER" or "WARNING."

These words mean:

**⚠ DANGER**

**You can be killed or seriously injured if you don't immediately follow instructions.**

**⚠ WARNING**

**You can be killed or seriously injured if you don't follow instructions.**

All safety messages will tell you what the potential hazard is, tell you how to reduce the chance of injury, and tell you what can happen if the instructions are not followed.

# INSTALLATION REQUIREMENTS

## Tools and Parts

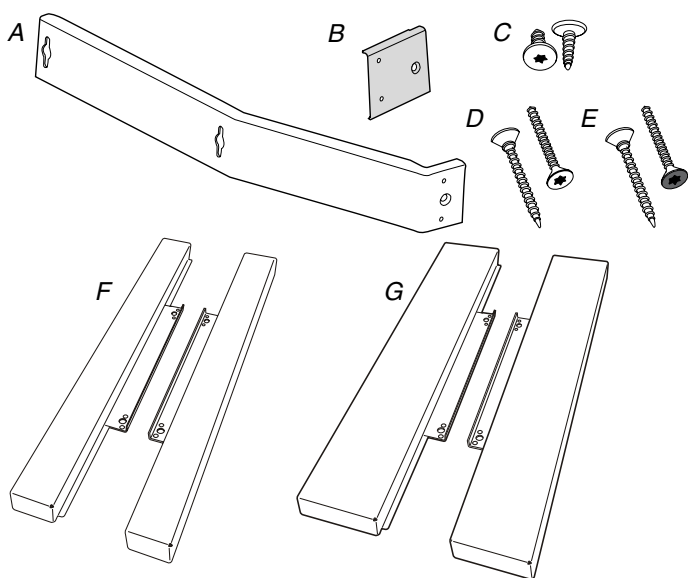
### Tools Needed

Gather the required tools and parts before starting installation. Read and follow the instructions provided with any tools listed here:

- Measuring tape
- Drill
- Pencil
- 5/64" (2 mm) drill bit
- T10 TORX<sup>†</sup> screwdriver

### Parts Supplied

All of the following parts are provided, but not all parts will be used. The cutout opening size will determine which parts you will use. See chart below parts list to see which parts are used for each installation.



- A. Side brackets (2)
- B. Extension plates (2)
- C. 3/8" T10 screws (4)
- D. 1" T10 screws – stainless steel (6)
- E. 1" T10 screws – black (4)
- F. Narrow side trim panels (2)
- G. Wide side trim panels (2)

**NOTE:** On some models, side brackets (A), extension plates (B), and 3/8" T10 screws (C) may come pre-assembled.

INSTALLATION	PARTS USED
24" (61.0 cm) installation	D or E
27" (68.6 cm) installation	A, D or E, F
30" (76.2 cm) installation	A, B, C, D or E, G

## Location Requirements

The microwave oven may be located in a cabinet, and/or above a built-in oven, or below the counter and/or below a non-vented cooktop. Check the opening where the microwave oven will be installed. The location must provide:

- Wood cabinetry.
- Cutout opening that is plumb and square. See "Minimum Cutout Dimensions" in "Minimum Dimensions" section.
- Cutout floor that is solid, level, and flush with bottom of cabinet cutout.
- Support for weight of at least 150 lbs (68 kg), which includes microwave oven and items placed inside.
- Grounded electrical outlet. See "Electrical Requirements" section.
- Minimum installation clearances for installation location. See "Minimum Dimensions" section.
- Complete enclosure around the recessed portion of the microwave oven.

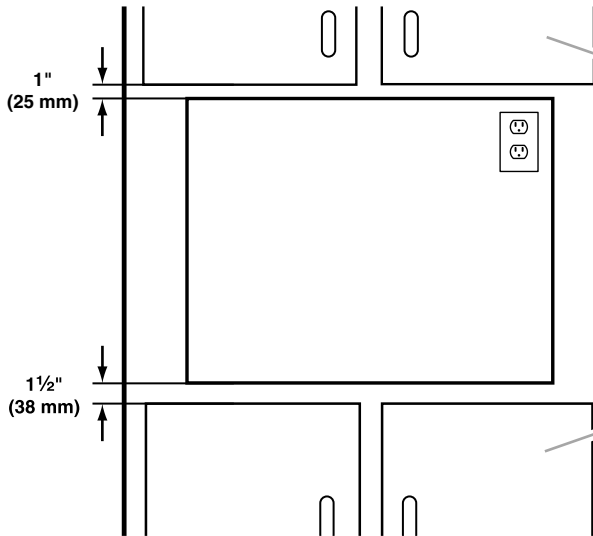
<sup>†</sup>TORX is a registered trademark of Acument Intellectual Properties, LLC.

# Minimum Dimensions

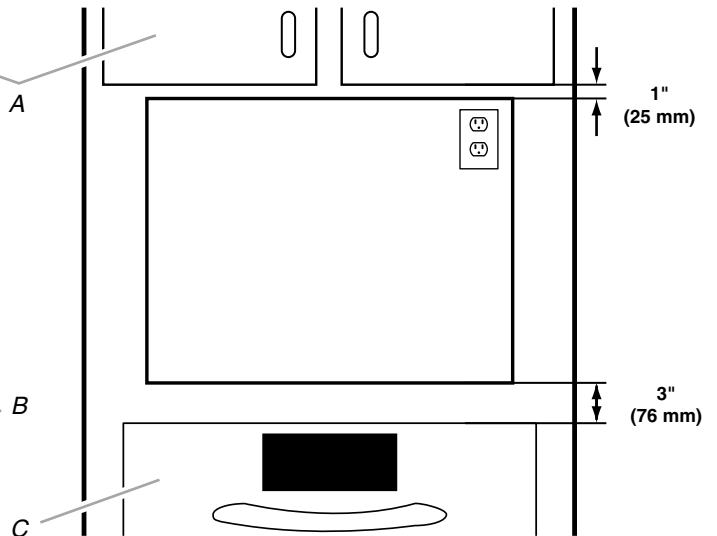
## Minimum Installation Clearances

For proper installation, the following minimum clearances must exist above and below the cutout opening.

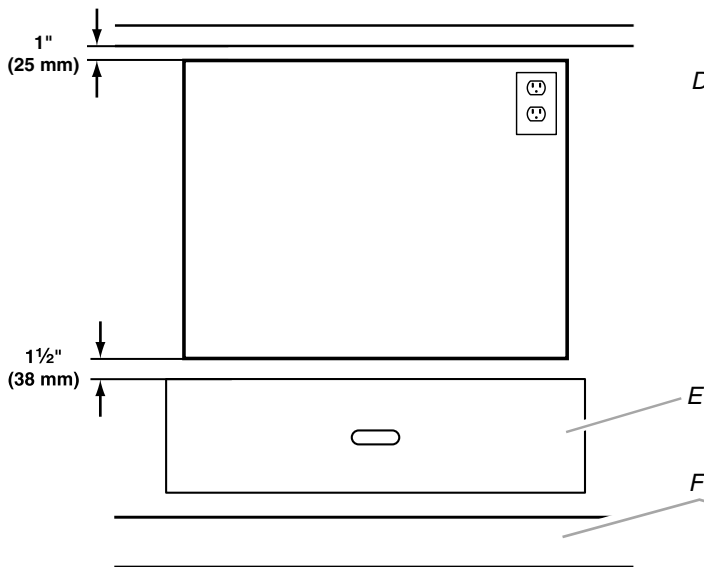
**Above Cabinet/Storage Drawer Installation**



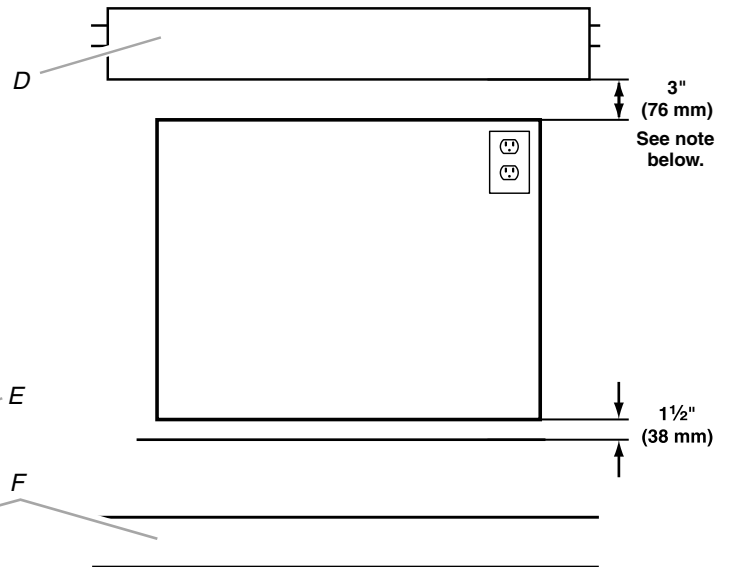
**Above Oven/Warming Drawer Installation**



**Below Counter Installation**



**Below Built-in Cooktop Installation**



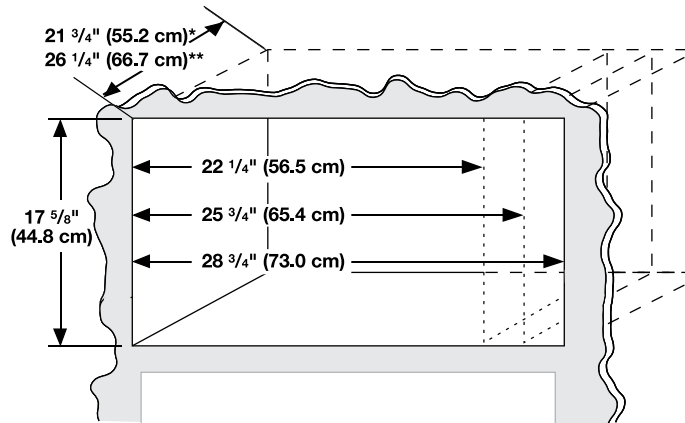
A. Upper cabinet  
B. Lower cabinet or storage drawer  
C. Lower oven or warming drawer

D. Built-in cooktop (non-vented)  
E. Storage drawer  
F. Toe kick

**NOTE:** The bottom of the cooktop may be sunk into the counter and lower cabinet. The minimum 3" (7.6 cm) clearance must exist below the lowest point of the cooktop, and there must be no interference between any part of the cooktop (including any gas fittings) and the microwave oven.

## Minimum Cutout Dimensions

**NOTE:** Depth dimension may be 21<sup>3</sup>/<sub>4</sub>" (55.2 cm) with non-flush receptacle only if the receptacle is located in upper right or upper left corner. See "Cutout Top View".

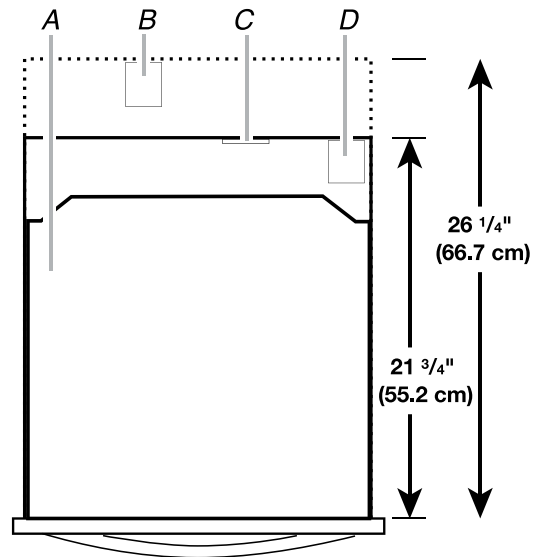


\*With flush receptacle, or with non-flush receptacle located in upper right or upper left corner of cutout.

\*\*With non-flush receptacle.

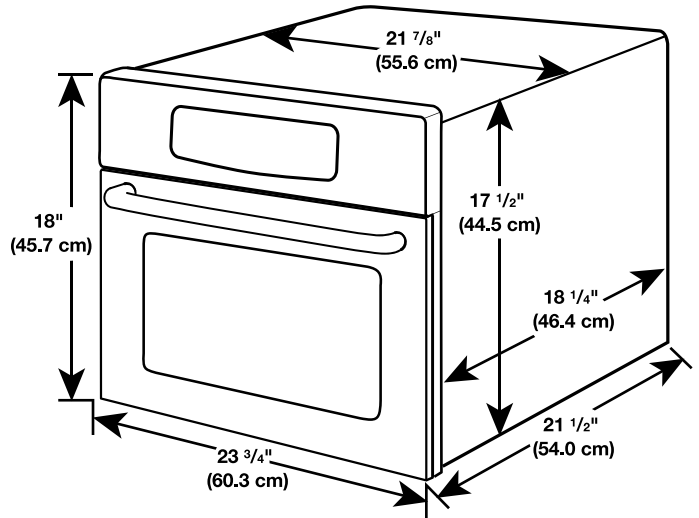
DIM.	24" (61.0 cm) INSTALLATION	27" (68.6 cm) INSTALLATION	30" (76.2 cm) INSTALLATION
Width	22 <sup>1</sup> / <sub>4</sub> " (56.5 cm) ± 3/16" (4.8 mm)	25 <sup>3</sup> / <sub>4</sub> " (65.4 cm) ± 3/16" (4.8 mm)	Min. 25 <sup>3</sup> / <sub>4</sub> " (65.4 cm) Max 28 <sup>3</sup> / <sub>4</sub> " (73.0 cm)
Height	17 <sup>5</sup> / <sub>8</sub> " (44.8 cm) for all installations		
Depth	21 <sup>3</sup> / <sub>4</sub> " (55.2 cm) with flush receptacle, or with non-flush receptacle located in far corner; 26 <sup>1</sup> / <sub>4</sub> " (66.7 cm) with non-flush receptacle		

## Cutout Top View



- A. Microwave Oven
- B. Non-flush receptacle
- C. Flush receptacle
- D. Non-flush receptacle located in upper right or upper left corner

## Product Dimensions



\*Measurements include front facing of microwave oven. Depth measurement also includes door handle.

## Electrical Requirements

### **⚠ WARNING**



#### **Electrical Shock Hazard**

**Plug into a grounded 3 prong outlet.**

**Do not remove ground prong.**

**Do not use an adapter.**

**Do not use an extension cord.**

**Failure to follow these instructions can result in death, fire, or electrical shock.**

Observe all governing codes and ordinances.

#### **Required:**

A 120 volt, 60 Hz, AC only, 15- or 20-amp electrical supply with a fuse or circuit breaker.

#### **Recommended:**

A time-delay fuse or time-delay circuit breaker.

A separate circuit serving only this microwave oven.

### **GROUNDING INSTRUCTIONS**

#### ■ **For all cord connected appliances:**

The microwave oven must be grounded. In the event of an electrical short circuit, grounding reduces the risk of electric shock by providing an escape wire for the electric current. The microwave oven is equipped with a cord having a grounding wire with a grounding plug. The plug must be plugged into an outlet that is properly installed and grounded.

**WARNING:** Improper use of the grounding plug can result in a risk of electric shock. Consult a qualified electrician or serviceman if the grounding instructions are not completely understood, or if doubt exists as to whether the microwave oven is properly grounded.

Do not use an extension cord. If the power supply cord is too short, have a qualified electrician or serviceman install an outlet near the microwave oven.

### **SAVE THESE INSTRUCTIONS**

# INSTALLATION INSTRUCTIONS

## Install the Microwave Oven (24" (61.0 cm) Installation Only)

### **⚠ WARNING**

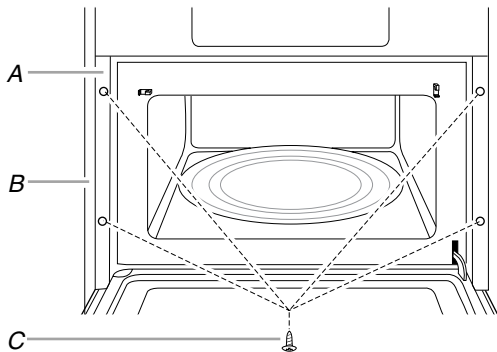
#### **Excessive Weight Hazard**

Use two or more people to move and install microwave oven.

Failure to do so can result in back or other injury.

**NOTE:** For this microwave oven, the door handle may be used for lifting. Do not use any other portion of the control panel, side brackets, front frame, or trim for lifting.

1. Empty microwave oven of any loose items.
2. Using 2 or more people, slide the microwave oven all the way into the opening.
3. Center the microwave within the opening.  
Open the microwave oven door.



A. Microwave oven door facing frame

B. Cabinet

C. 1" T10 screws (black or stainless steel) (4)

4. Mark 4 holes (2 on each side) in the door facing frame of the microwave oven.
5. To avoid damage to the frame while drilling during the next step, close the door and remove the microwave oven.
6. Drill the 4 holes using 5/64" (2 mm) drill.

### **⚠ WARNING**



#### **Electrical Shock Hazard**

**Plug into a grounded 3 prong outlet.**

**Do not remove ground prong.**

**Do not use an adapter.**

**Do not use an extension cord.**

**Failure to follow these instructions can result in death, fire, or electrical shock.**

7. With the microwave oven near the opening, plug the microwave oven into the grounded 3 prong outlet.
8. Replace microwave oven in cutout opening.
9. Open the microwave oven door. The holes in the door facing frame should align with the holes just drilled into the cabinet. Fasten the microwave oven door facing to the cabinet using four 1" T10 screws. Use the black screws for black models and the stainless steel screws for stainless steel models.
10. Proceed to "Complete Installation" section.

## Install the Microwave Oven (27" (68.6 cm) or 30" (76.2 cm) Installation Only)

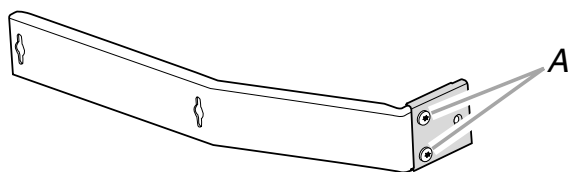
### ⚠ WARNING

#### Excessive Weight Hazard

**Use two or more people to move and install microwave oven.**

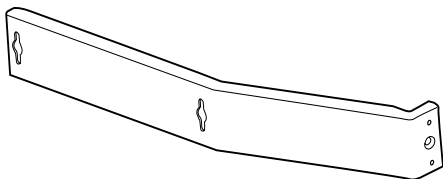
**Failure to do so can result in back or other injury.**

1. Empty microwave oven of any loose contents.
2. For 30" installation, attach the extension plate to each of the side brackets using two 3/8" T10 screws, as shown. On some models, the extension plates and side brackets may come pre-assembled.

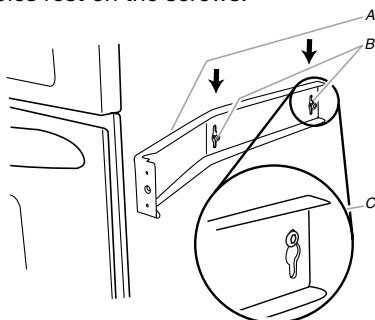


A. 3/8" T10 screws

For 27" installation, remove the extension plate from each of the side brackets by removing the 2 screws, if it came pre-assembled.



3. Loosen the middle and rear screws on each side of microwave oven. The screws are located at the same height as the door handle.
4. Place the side bracket over the 2 screws, fitting the screw heads through the keyholes on the bracket. Then slide the side bracket down so that the upper portions of the keyholes rest on the screws.



A. Side bracket  
B. Existing screws (middle and rear)  
C. Proper side bracket attachment

5. Tighten screws to secure the side bracket to the microwave oven.
6. Repeat steps 4 and 5 on the other side of the microwave oven.

### ⚠ WARNING



#### Electrical Shock Hazard

**Plug into a grounded 3 prong outlet.**

**Do not remove ground prong.**

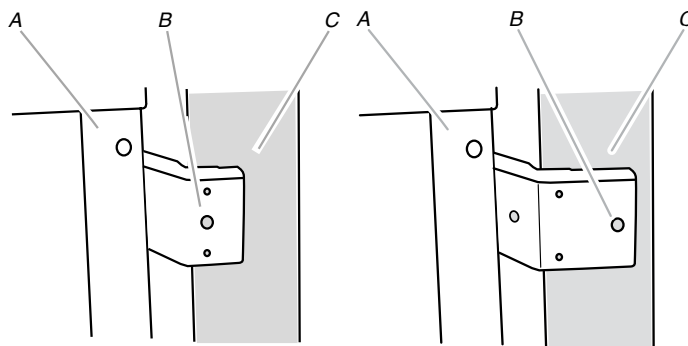
**Do not use an adapter.**

**Do not use an extension cord.**

**Failure to follow these instructions can result in death, fire, or electrical shock.**

7. With the microwave oven near the opening, plug the microwave oven into the grounded 3 prong outlet.
8. Using 2 or more people, slide microwave oven all the way into the opening, and center the microwave oven within the opening.

**NOTE:** The screw holes on the winged ends of both side brackets (or extension plates for the 30" installation) must be fully over the wood of the wall or cabinet, as shown.



For 27" Installation

For 30" Installation

A. Door front facing  
B. Screw hole for cabinet attachment  
C. Cabinet front

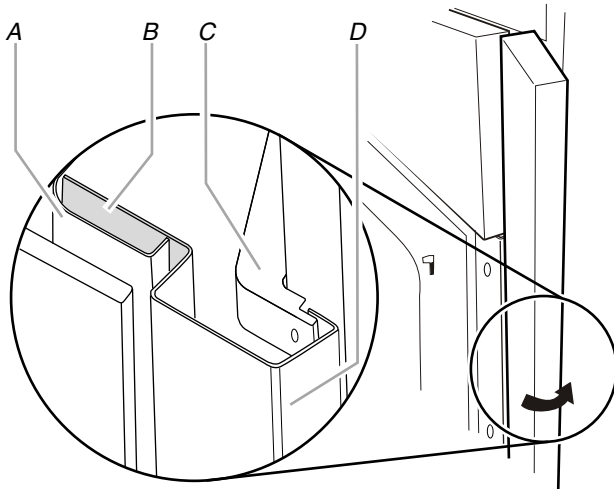
9. Using 5/64" (2 mm) drill, drill pilot holes into the cabinet through the screw holes on the side brackets (or extension plates for the 30" installation).
10. Install two stainless steel 1" T10 screws in the pilot holes to secure the microwave oven in place.

**NOTE:** To ensure proper side trim panel fitting, do not overtighten screws.

11. Open microwave oven door.

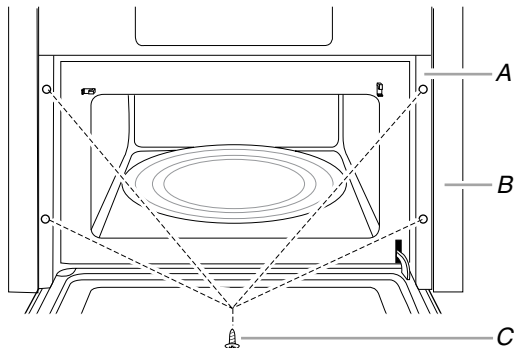
12. Position the tabular portion of the side trim panel behind the door facing frame, and then firmly push the outside edge of the trim behind the side bracket, as shown.

### Exploded View of Panel Placement



- A. Door facing frame  
 B. Tabular portion (shaded) of side trim panel  
 C. Side bracket  
 D. Side trim panel in place

13. Attach the side trim panel to the door facing frame using two 1" T10 screws. Use the black screws for black models and the stainless steel screws for stainless steel models.



- A. Door facing frame  
 B. Trim panel  
 C. 1" T10 screws (black or stainless steel) (4)

14. Repeat steps 12 and 13 on other side.

## Complete Installation

1. Install the turntable in the microwave oven.
2. Check the operation of microwave oven by placing 1 cup (250 mL) of water on the turntable and programming cook time of 1 minute at 100% power.
3. If the microwave oven does not operate:
  - Check that a household fuse has not blown, or a circuit breaker tripped. Replace the fuse or reset the circuit breaker. If the problem continues, call an electrician.
  - Check that the power supply cord is plugged into a grounded 3-prong outlet.
  - See the Use and Care Guide for troubleshooting information.

Installation is now complete.

Save these Installation Instructions for future use.

## ASSISTANCE

Call your authorized dealer or service center. When you call, you will need the microwave oven model number and serial number. Both numbers can be found on the model and serial number plate, which is located behind the microwave oven door on the front frame of the microwave oven.

If you need additional assistance, call us at our toll free number or visit our website listed in the Use and Care Guide.

W10772547A

SP PN W10775971

© 2015

All rights reserved.