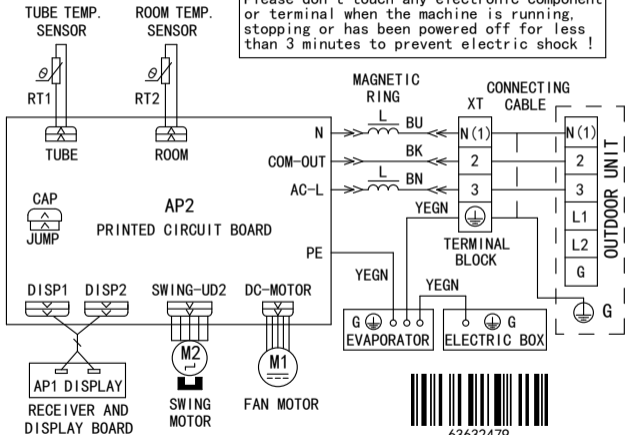




### WARNING

Please don't touch any electronic component or terminal when the machine is running, stopping or has been powered off for less than 3 minutes to prevent electric shock !



63632479



### WARNING

Please don't touch any terminal when the voltage of terminal P(DC+) and N(DC-) at API is higher than 30V to prevent the risk of electrical shock!

