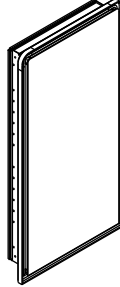


INSTALLATION INSTRUCTIONS



P73068

INSTALLATION INSTRUCTIONS

THANK YOU FOR CHOOSING KALLISTA

We appreciate your commitment to KALLISTA quality products. Please take a moment to review this manual before you install your KALLISTA product. If you encounter any installation or performance problems, please do not hesitate to contact us at the phone number listed at the bottom of the page.

BEFORE YOU BEGIN

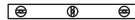
⚠ CAUTION: Risk of personal injury or product damage. Handle with care. Product can break, chip, or cause injury if handled carelessly. Get help lifting the medicine cabinet.

- This instruction sheet contains information on how to install the Jeton Medicine Cabinet.
- Save these instructions for future use and reference. An improper installation voids the warranty. Installed cabinets cannot be returned.
- Observe all local plumbing and building codes.
- KALLISTA reserves the right to make revisions in the design of products without notice, as specified in the Price Book.

TOOLS AND MATERIALS



Tape
Measure



Level



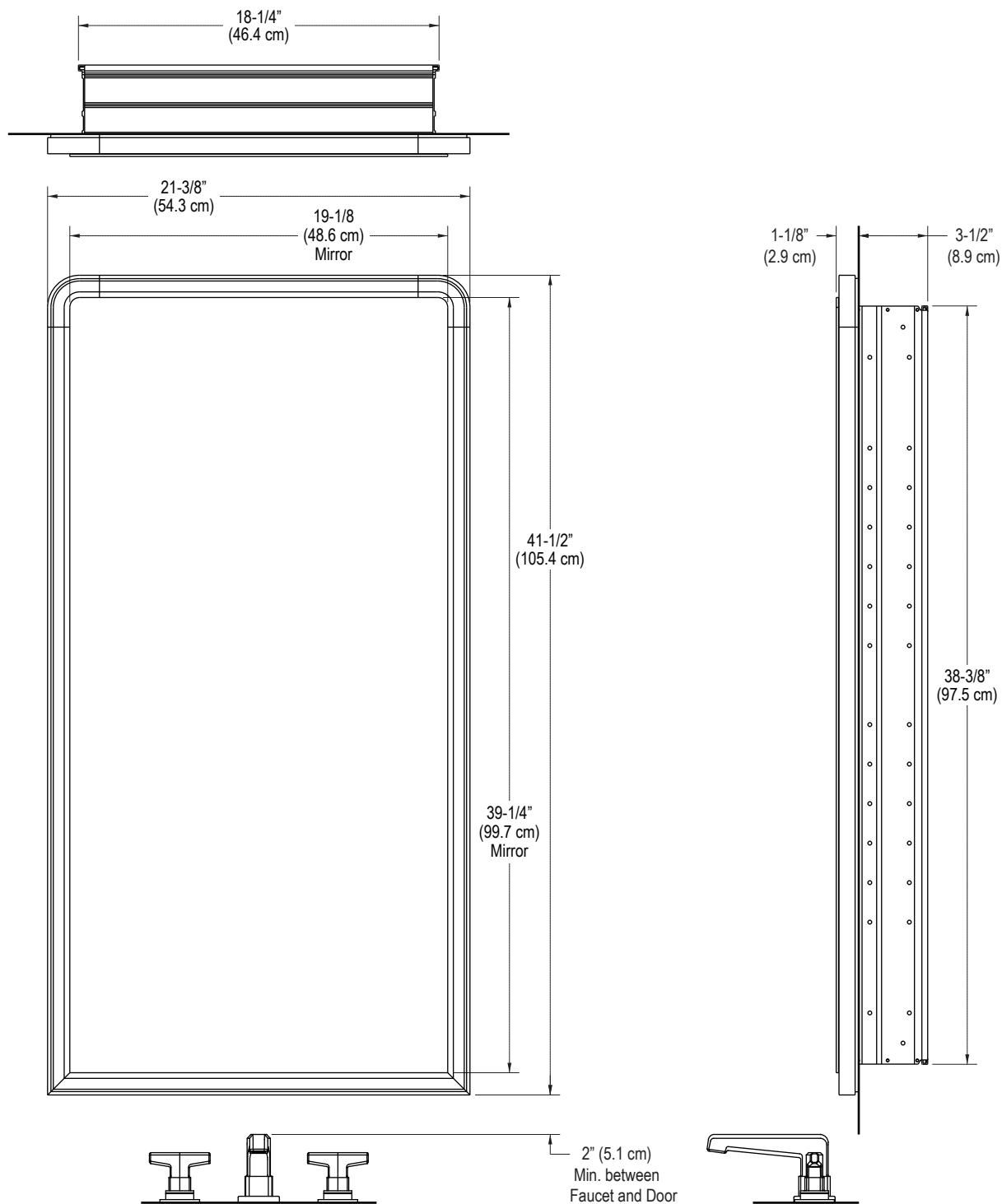
Drill



Phillips
Screwdriver

INSTALLATION INSTRUCTIONS

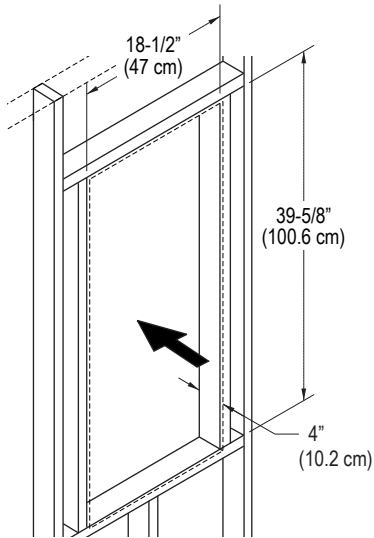
1. ROUGH-IN INFORMATION



INSTALLATION INSTRUCTIONS

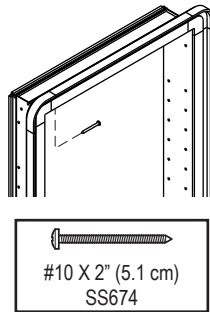
INSTALLATION

- 1.** Make rough opening and frame on all sides.
Make sure cabinet door has at least 2" (5.1 cm) clearance to the top of the faucet and at least 1" from the ceiling.

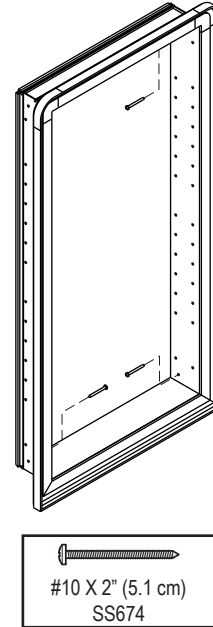


- 2.** Place cabinet in rough-in and make sure cabinet is plumb and level.

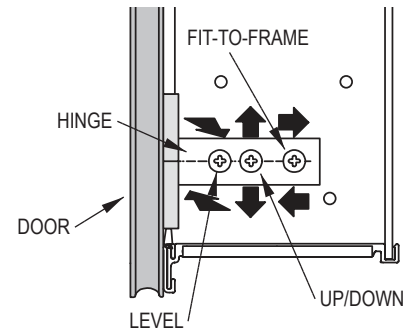
Install a #10 X 2" (5.1 cm) screw through the top mounting hole in the cabinet and screw into wall stud as shown. Do not overtighten screw.



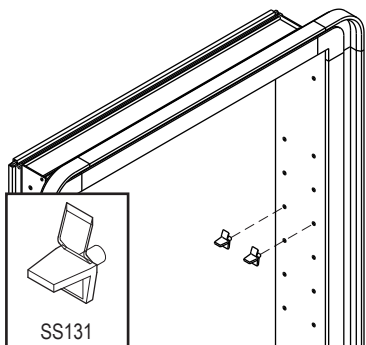
- 3.** Once cabinet is plumb and level, install the remaining #10 X 2" (5.1 cm) screws into the wall stud.



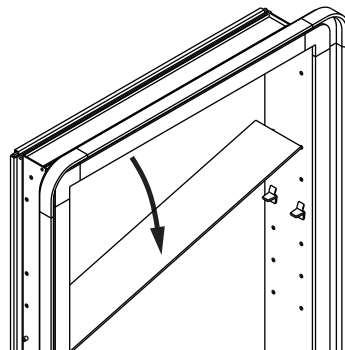
- 4.** Mount the doors following the instructions supplied with the hinge.
Cabinet doors have a three-way adjustment feature. Height, level, and fit-to-frame can all be adjusted using a #2 Phillips Head screwdriver.



- 5.** Insert clear snap-in Shelf Clips into the holes on the sides of the cabinet.



- 6.** Push one side of the shelf into the left or right clip. Snap the shelf down into the opposite side. If the shelf is too tight, repeat the process starting from the opposite side.



- 7.** Press the Shelf Hole Plugs into the unused holes inside the cabinet. Place the Screw Head Caps over any exposed screw heads.

