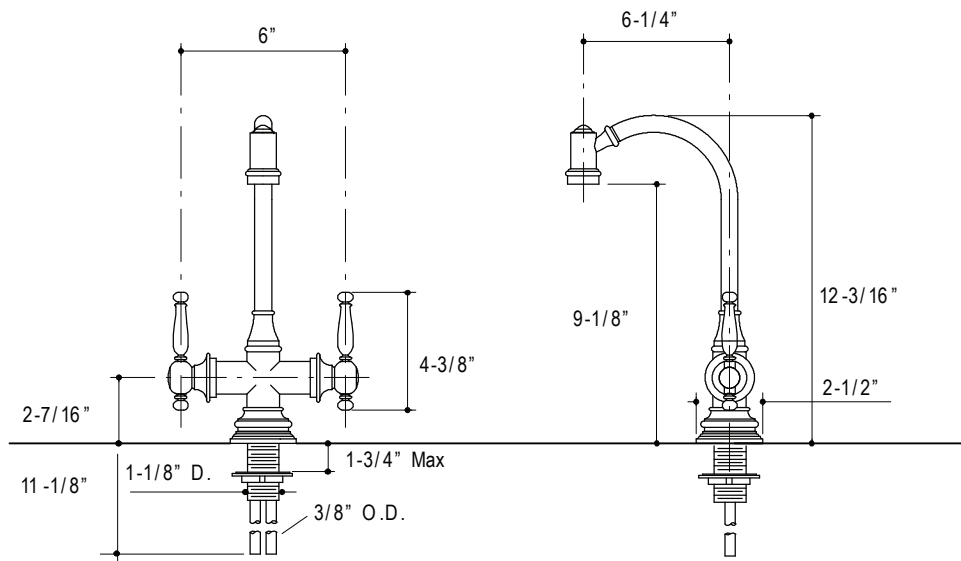


### CODES/STANDARDS APPLICABLE

### P21560

Specified Model Meets or Exceeds the Following:

- ASME A112.18.1-2005/CSA B125.1-05
- NSF 61



### SPECIFIED MODEL

Model	Description	Finishes	
L21560-00	Bacchus High-Arch Bar/Basin Set	<input type="checkbox"/> CP Polished Chrome	
P21560-00	Bacchus High-Arch Bar/Basin Set	<input type="checkbox"/> AD Nickel Silver	<input type="checkbox"/> AG Brushed Nickel <input type="checkbox"/> D3 Antique Copper

We reserve the right to make revisions without notice in the design of products or in packaging unless this right has specifically been waived at the time the order is accepted.