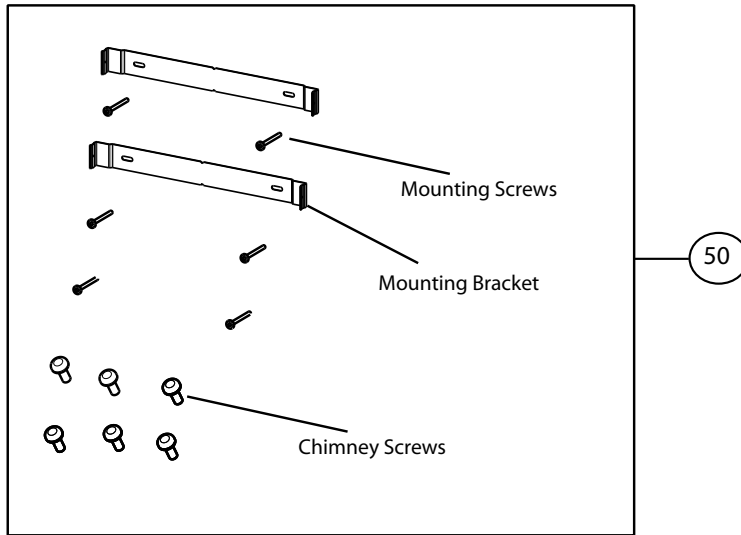
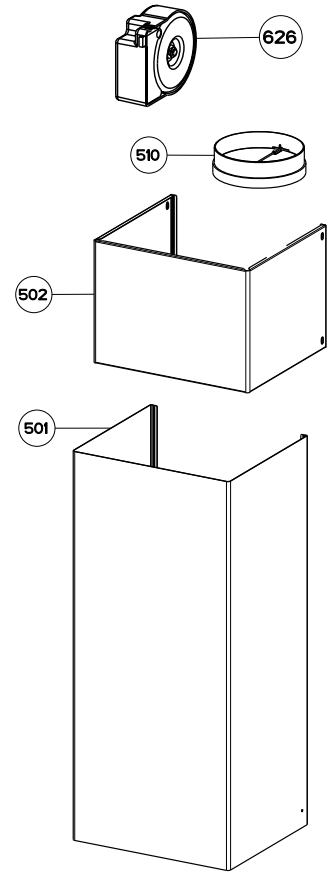
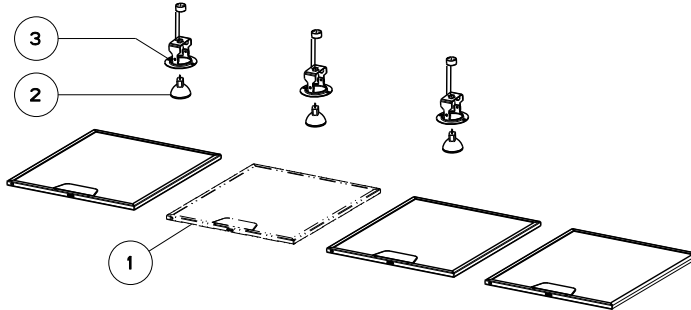


**STILO LED CONTROL
STIL (24,30,36,48) SS**

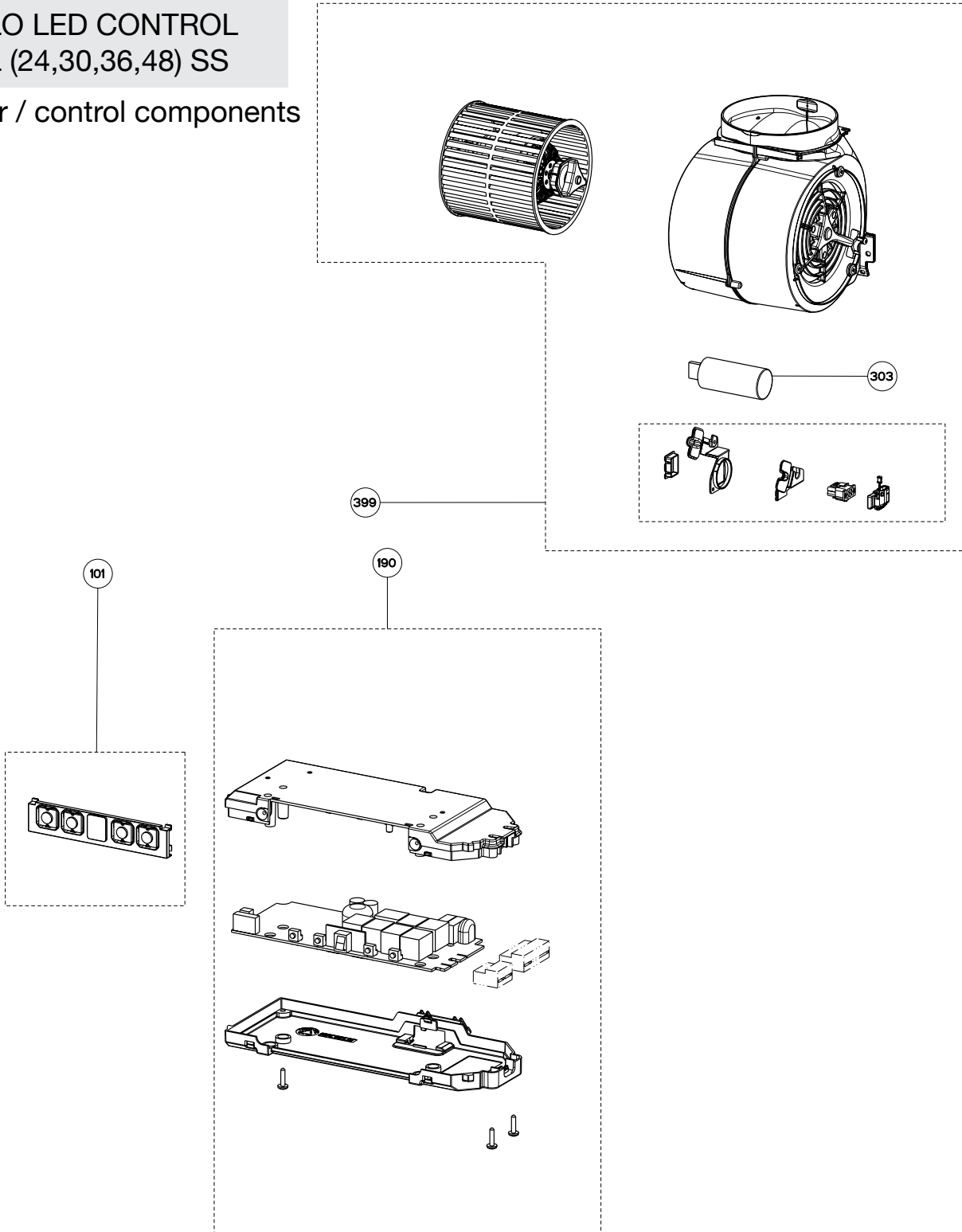
body / chimney components



| | Model Number | STIL24SS | STIL30SS | STIL36SS | STIL48SS | |
|-----|-----------------------|--------------|--------------|--------------|--------------|-----------------------|
| Key | Description | 24 | 30 | 36 | 48 | Qty Req. |
| 1 | Grease Filter | 133.0018.482 | 133.0018.482 | 133.0018.482 | 133.0018.482 | 2=24,30 / 3=36 / 4=48 |
| 2 | Halogen Lamps | 133.0046.418 | 133.0046.418 | 133.0046.418 | 133.0046.418 | 2=24,30,36 / 3=48 |
| 3 | Lamp Holder | 133.0052.517 | 133.0052.517 | 133.0052.517 | 133.0052.517 | 2=24,30,36 / 3=48 |
| 50 | Installation Hardware | 133.0084.478 | 133.0084.478 | 133.0084.478 | 133.0084.478 | 1 |
| 501 | Lower Chimney | 133.0057.242 | 133.0057.242 | 133.0057.242 | 133.0057.242 | 1 |
| 502 | Upper Chimney | 133.0018.357 | 133.0018.357 | 133.0018.357 | 133.0018.357 | 1 |
| 510 | Damper | 133.0055.994 | 133.0055.994 | 133.0055.994 | 133.0055.994 | 1 |
| 626 | Transformer | 133.0052.516 | 133.0052.516 | 133.0053.047 | 133.0053.047 | 1 |

STILO LED CONTROL
STIL (24,30,36,48) SS

motor / control components



| | Model Number | | |
|-----|--------------------|--------------|----------|
| Key | Description | | Qty Req. |
| 101 | Control Button Kit | 133.0179.011 | 1 |
| 190 | Switchboard Kit | 133.0179.013 | 1 |
| 303 | Capacitor | 133.0060.648 | 1 |
| 399 | Motor Kit | 133.0174.148 | 1 |