

Scirocco Plus Down Draft Hood

Disappearing down draft kitchen range hood

FABER

ON AIR. SINCE 1955



The Scirocco Plus down draft is perfect for island installations, where an overhead canopy would be obstructive, or wall installations where cabinet space is at a premium. With the touch of a button the Scirocco Plus rises a full 14" above the counter and retracts back down again when finished cooking with the press of a button. With a reversible motor box, the hood can fit behind a range top, cooktop or cooktop/oven combo.

Model #	Size Color	Performance Range	Sound Levels
SCIR3014SS	30 SS		
SCIR3614SS	36 SS		
IBDD600	600 CFM Internal Blower	60 - 600 CFM	1.0 - 6.5 sones
RBORIG900	900 CFM Remote Blower	120 - 900 CFM	
RBORIG1200	1200 CFM Remote Blower	120 - 1,200 CFM	



NOTE: Choose a Size - 30" or 36" and choose 1 of the 3 available blowers

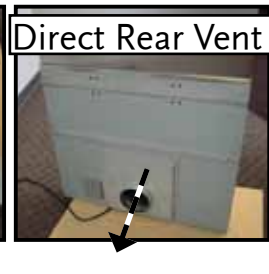
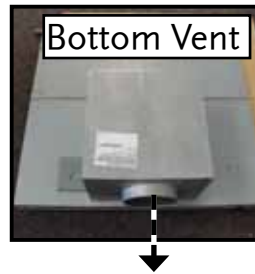
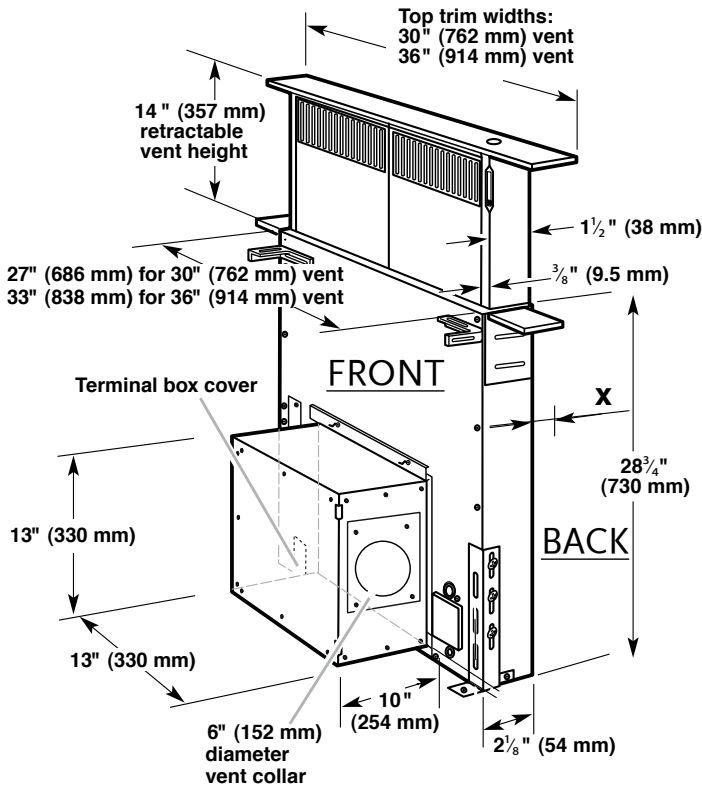
Feature Chart

Convertible to Ductless / Recirculating	N / A
Controls	slide speed control dial with on/off button
Lighting	N / A
Ducting	6" round (internal blower) OR 10" Round (remote blower) <i>on front or back of the unit</i>
Multiple Ducting Options	left, right, down, forward, backward (internal blower) or forward, backward (remote blower)
Reversible Motor Box	Yes
Grease Filters	stainless mesh
No brand logo on stainless top strip	Yes
Innovative Safety features	Yes (microswitch behind grease filters prevent lowering when washing filters) AND (top strip stops if an object obstructs its path)
Auto shut off	Yes
AC Input / AC Power	120 V - 60 hz / Max 450 W at 3.8 A
Annual Electricity Costs	\$4.40 / Year *

* Note – ran 30 minutes a day on low speed with the lights on, 365 days, using the North American average of 12.2 cents per kWh.
 p.o. box 435 • Wayland, MA 01778 • tel: (508) 358-5353 • fax: (508) 358-5730 • e-mail: info@faberonline.com • www.faberonline.com

Dimensional Diagrams

(see installation instructions for more information)



Note: Overall dimensions show unit with internal blower box attached. Remote Blower would only have a vent collar attached instead of the 13" x 13" box shown.
 X = Distance to the rear of the cabinet or wall. Must be a minimum of 1/2".

When mounted on the front of the hood, the Internal blower box can be rotated to vent left, right, down or thru the hood to the rear of the unit. When mounted on the back of the hood, the blower can be vented left, right or down. The remote blower venting can come out the front or back of the unit venting down. **Note: A clearance of 3/4" is required in front of the hood when mounting the blower on the back.**

ACCESSORIES

Universal Make-Up Air Damper

Satisfies current make-up air requirements, this kit uses an air switch above the hood to activate the make-up air damper to open and bring fresh air into the home whenever the hood fan is operating and then close tightly when the hood is off. The CFM level is not reduced by using this kit.

MUDAMPER6 / MUDAMPER8 / MUDAMPER10
 (6") (8") (10")



WARNING! Product specifications are subject to change without notification. Consult the installation instructions for both the remote blower and the ventilation system before you begin installing this range hood. Consult cooking manufacturer instructions for cut out dimensions, clearances and CFM requirements.

