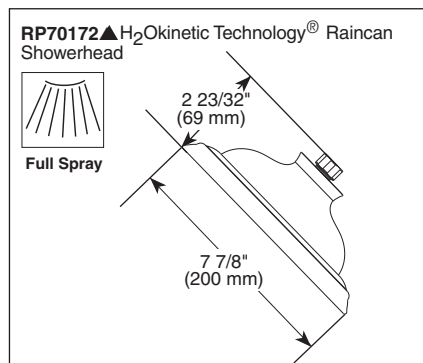
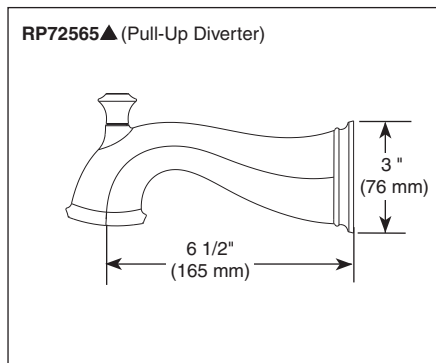
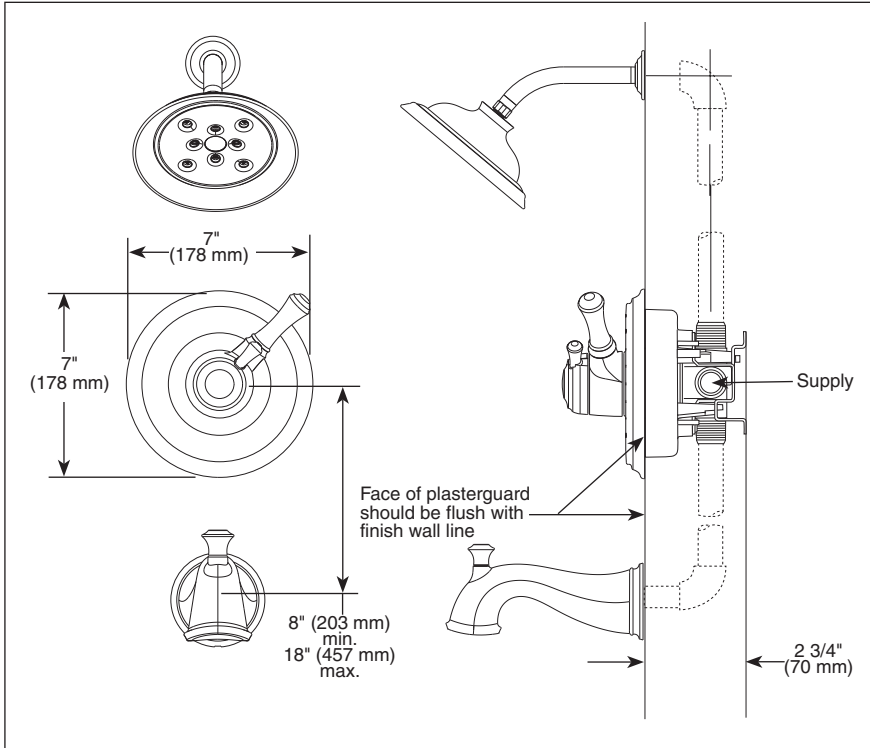


Submitted Model No.: _____
 Specific Features: _____



TUB AND SHOWER FAUCET TRIM

- Cassidy™ Series
- Valve Only (T17097)
- Shower Only (T17297)
- Tub/Shower (T17497)

STANDARD SPECIFICATIONS:

- Monitor® 17 Series pressure balanced bath mixing valve.
- Maintains a balanced pressure of hot and cold water even when a valve is turned on or off elsewhere in the system.
- Must also order MultiChoice® universal rough separately.
- Back-to-back installation capability.
- Solid brass forged body.
- Lever volume control handle, temperature adjustment dial.
- Field adjustable to limit handle rotation into hot water zone.
- Maximum dial rotation adjustable between 90° and 180°.
- For use with automatic compensating valves rated at 7.48 L/min (1.92 gpm) or less.
- All parts replaceable from the front of the valve.
- H₂Okinetic Technology® 2.0 gpm max @ 80 PSI.

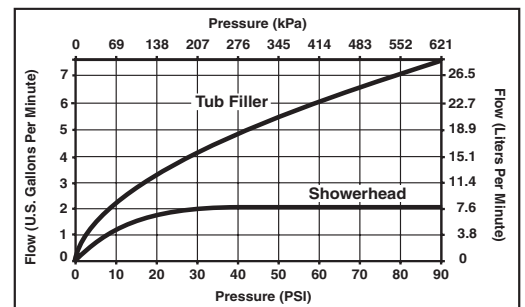
WARRANTY

- Lifetime limited warranty on parts (other than electronic parts and batteries) and finishes: or, for commercial users, for 5 years from date of purchase.
- 5 year limited warranty on electronic parts (other than batteries); or, for commercial users, for 1 year from the date of purchase. No warranty is provided on batteries.



COMPLIES WITH:

- ASME A112.18.1 / CSA B125.1
 - ASSE 1016
- ♿ Indicates compliance to ICC/ANSI A117.1
- EPA WaterSense®



▲ Designate proper finish suffix

Delta reserves the right (1) to make changes in specifications and materials, and (2) to change or discontinue models, both without notice or obligation. Dimensions are for reference only. See current full-line price book or www.deltafaucet.com for finish options and product availability.

DSP-B-T17097 Rev. C



55 E 111th Street, Indianapolis, Indiana 46280
 350 South Edgeware Road, St. Thomas, ON N5P 4L1
 © 2015 Masco Corporation of Indiana