

Installation Instructions

WALL PLENUM AND LOUVER

For Use With Vert-I-Pak

NOTE: These instructions apply to Vert-I-Pak A Series Units ONLY.
Refer to Chassis Installation/Operation Manual for additional information.
Please read these instructions completely before attempting installation.

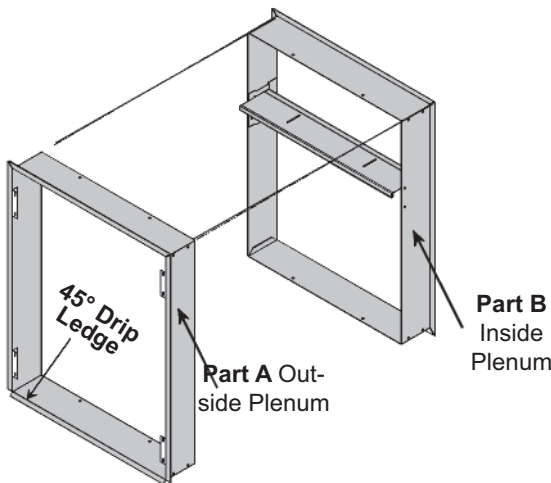
! VERY IMPORTANT!

YOUR WALL PLENUM WILL WORK ONLY IF INSTALLED CORRECTLY. TAKE NOTICE TO INSTALL IT IN THE CORRECT ORIENTATION AS SHOWN IN THE ILLUSTRATIONS. ALWAYS FOLLOW LOCAL AND NATIONAL CODES FOR PROPER INSTALLATION.

Step 1: Included Parts

There are two parts to a Wall Plenum:

- A) 1-Outside Assembly (Part A)
- B) 1-Inside Assembly (Part B)



PART A CORRECT ORIENTATION:
● LOUVER ATTACHMENT FLANGES TOWARD THE BUILDING OUTSIDE, 45° DRIP LEDGE AT THE BOTTOM.

PART B CORRECT ORIENTATION:
● LARGE OPENING TO BOTTOM 3/4" FLANGE TOWARD THE INSIDE OF THE BUILDING.

Step 2: Field Supplied Parts:

Caulk, Attachment screws and Flashing are field supplied. Silicone caulk is recommended.

VPAWP1-8 adjusts for walls 5.5 - 8.0" thick.
VPAWP1-14 adjusts for walls 8 - 14.0" thick.

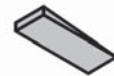
Both installations are similar.



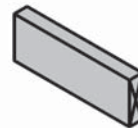
Caulk



Flashing



Shim



Header materials / wall studs



1" -3" Screws to attach the plenum assembly to the wall studs

Step 3: Measure and frame out the outside wall plenum opening

IMPORTANT Determine what model of Vert-I-Pak is to be installed. All 9000, 12000 and 18000 btuh units must follow the dimensions in Figure A. All 24000 btuh units must follow the dimensions in Figure B.

FIGURE A 9000 / 12000 / 18000 BTU/h

The plenum cut out dimensions are 24 5/8" wide x 30 7/8" high. The bottom of the rough in opening must be 3/4" from the surface the unit will sit on.

Measure your outside wall as shown in the illustration. Cut, frame, and square rough opening. The Wall plenum has a 3/4" break all the way around to cover the rough cut opening or required shim.

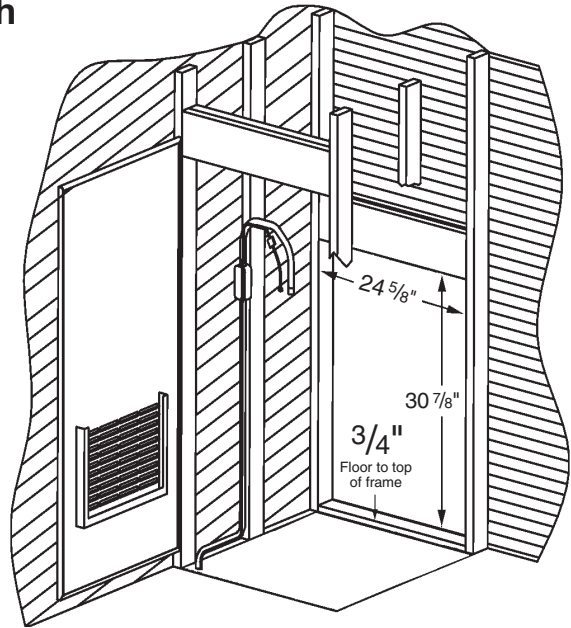
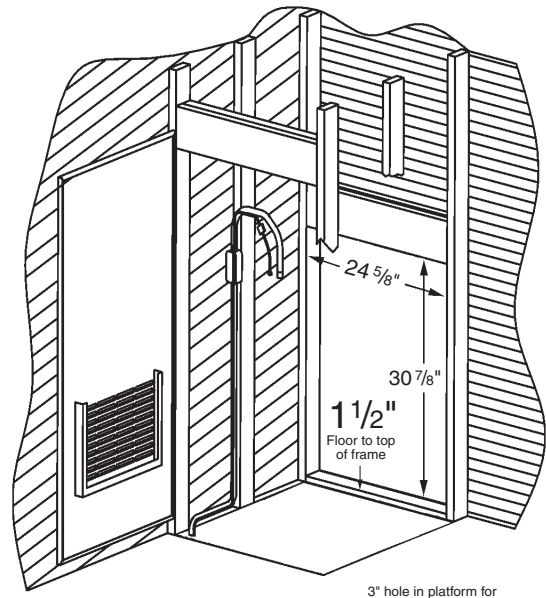


FIGURE B 24000 BTU/h

The plenum cut out dimensions are 24 5/8" wide x 30 7/8" high. The bottom of the rough in opening must be 1 1/2" from the surface the unit will sit on.

Measure your outside wall as shown in the illustration. Cut, frame, and square rough opening. The Wall plenum has a 3/4" break all the way around to cover the rough cut opening or required shim.

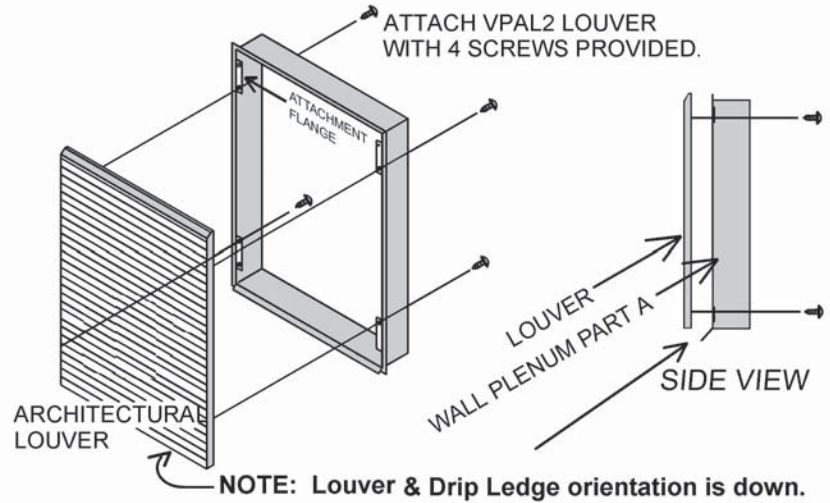


IMPORTANT THE WALL PLENUM IS NOT DESIGNED TO CARRY STRUCTURAL LOADS. A PROPER HEADER OPENING MUST BE BUILT INTO THE ROUGH OPENING. THE PLENUM REQUIRES FLASHING, SHIM AND CAULK FOR A WEATHER-RESISTANT INSTALLATION.

IT IS THE RESPONSIBILITY OF THE CONTRACTOR TO PROPERLY INSTALL THE PLENUM AND MEET BUILDING CODE REQUIREMENTS.

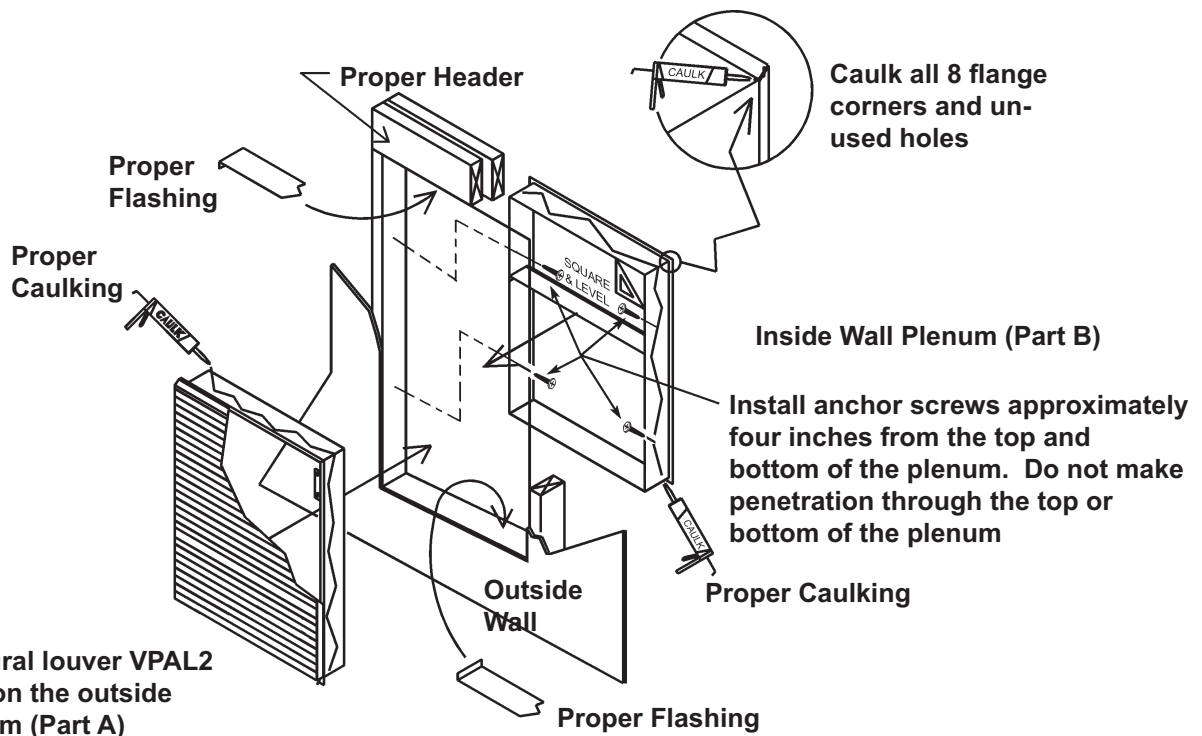
Step 4: Install Architectural Louver on the Outside Plenum

NOTE The VPAL2 Architectural Louver is best installed onto the Outside Plenum (Part A) **prior** to Wall Plenum installation. Louver installation is easier at this point, and it will help keep the Wall Plenum square during installation.



Step 5: Plenum Installation

Note Proper header and wall penetration must conform to all national and local building codes.



After the rough cut opening is prepared, you are ready to assemble the two wall plenum parts. Before caulking and permanent attachment, dry fit the outside plenum into the rough opening and check for fit and level. Caulk (silicone recommended) the parts well and insert them into the wall as shown.

A) Apply caulk and insert Outside Part A into the hole.

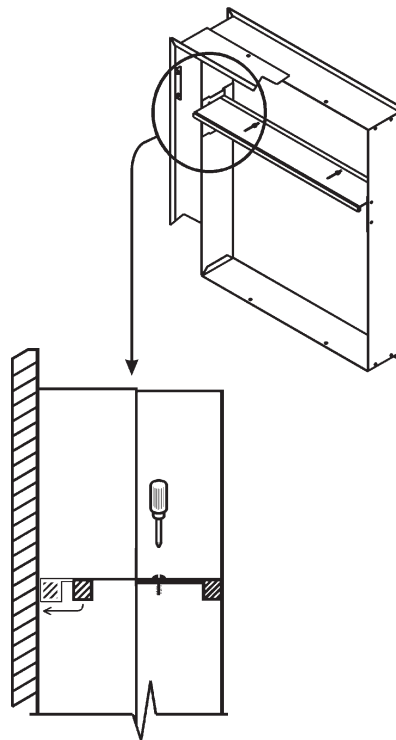
B) Apply caulk and insert Inside Part B into Part A. Be sure that Part A does not back out of the wall hole.

Step 6 - Adjust the Divider

Adjustment

Loosen the two screws located on the top side of the divider. Slide the top part of the divider toward the outside until the sealing strip makes contact with the outdoor louver. Tighten the divider screws to complete the adjustment.

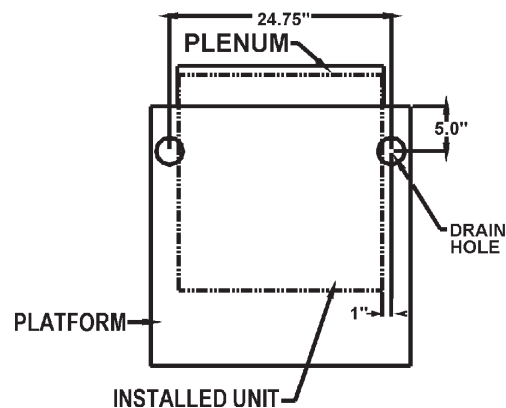
NOTE Let the caulk cure completely before installing the chassis. This completes the plenum installation.



Condensate Disposal Preparation for 9000 / 12000 / 18000 Models ONLY

IMPORTANT This step must be performed to ensure that the chassis installs and seals properly in the wall plenum.

If provisions for condensate disposal are made prior to chassis installation and the drain is to be located beneath the platform for the unit, use the accompanying drawing as a guide for cut-out locations. Only one drain per unit is required.



Step 7 - Wall Plenum Preparations

FOR 24,000 BTU/h MODELS ONLY:

IMPORTANT This step must be performed to ensure that the chassis installs and seals properly in the wall plenum.

From the inside of the closet locate the top portion of the factory installed weatherseal gasket, arrow A. Cut the gasket in the upper left and right hand corners of the plenum. Carefully remove the entire top piece of gasket (See Figure C).

When completed, the wall plenum installation for the 24000 btuh unit should look like figure D. Figure D is shown with the VPDP1 drain pan installed. The drainpan is required for all 24000 btuh units.

Figure C

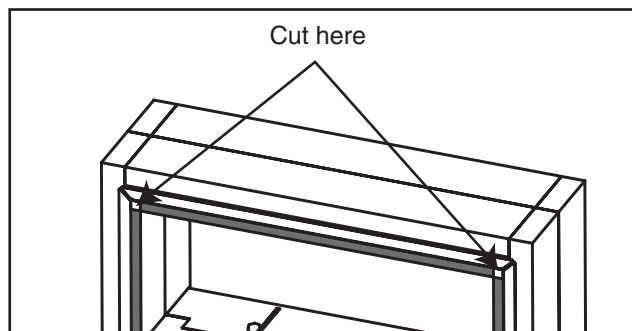
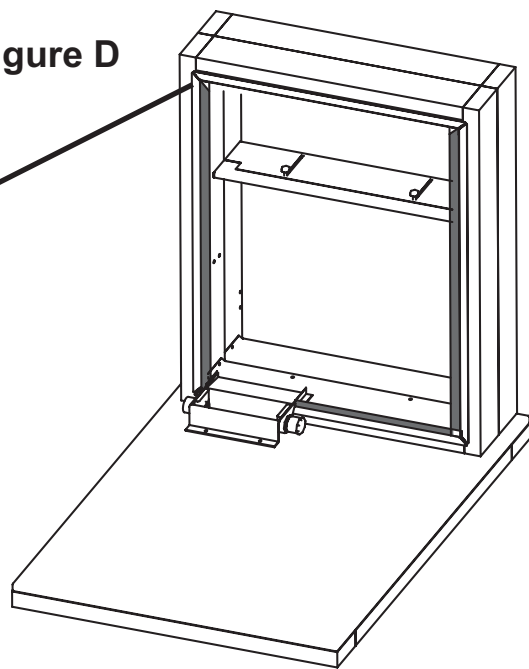


Figure D



For 24,000 BTU/h models only, continue to next page for VPDP1 installation instructions.

Installation Instructions

DRAIN PAN

For Vert-I-Pak A Series 24,000 Btuh units only.

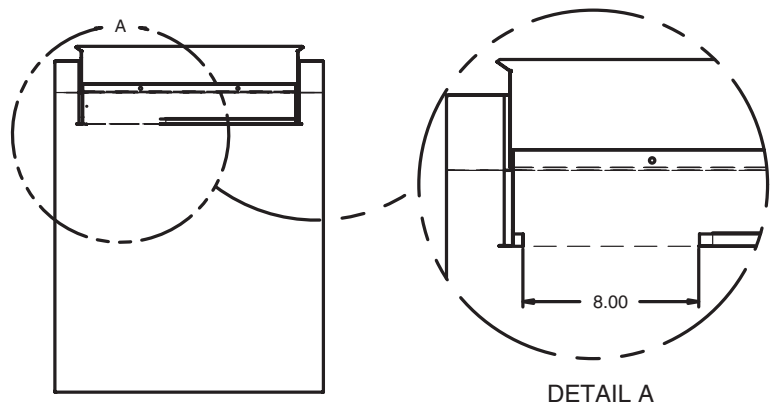
Please read these instructions completely before attempting installation.

Note: This drain pan must be installed with all VEA24 and VHA24 units.

STEP 1: CUT OPENING IN GASKET

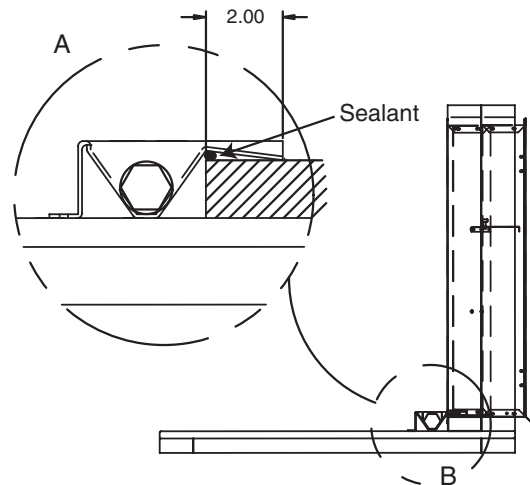
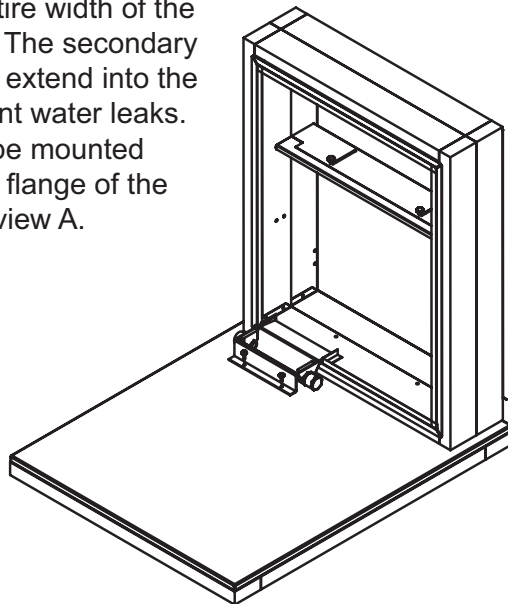
Remove an 8" portion of the weather seal gasket from the bottom left surface of the plenum.

To remove: Cut the gasket in the lower left corner of the plenum. Then make a second cut 8" from the left corner. The gasket should peel away from the plenum leaving a clean mounting surface (See detail A).



STEP 2: SEAL AND SET PAN

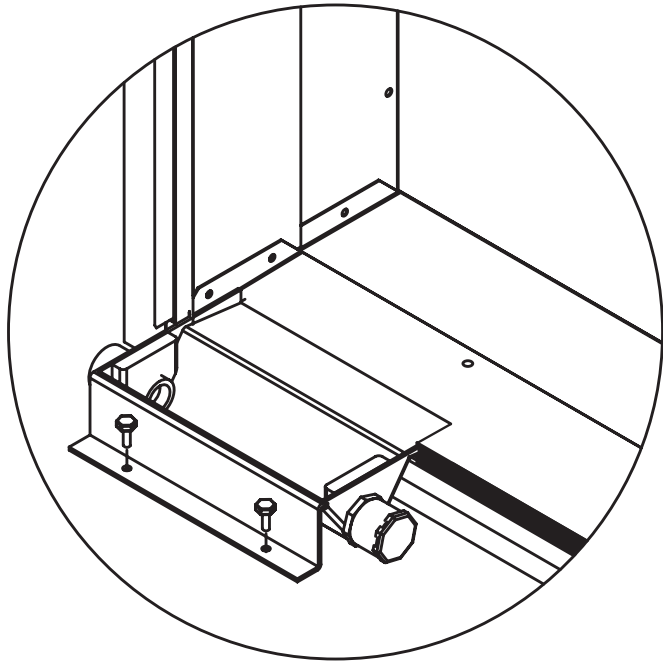
Prior to placing the drain pan into the opening run a 1/4" bead of sealant the entire width of the removed gasket. The secondary overflow lip must extend into the plenum to prevent water leaks. The pan should be mounted against the 3/4" flange of the plenum, refer to view A.



STEP 3: INSTALL DRAIN PAN

Attach the drain pan to the closet floor with the appropriate field supplied hardware.

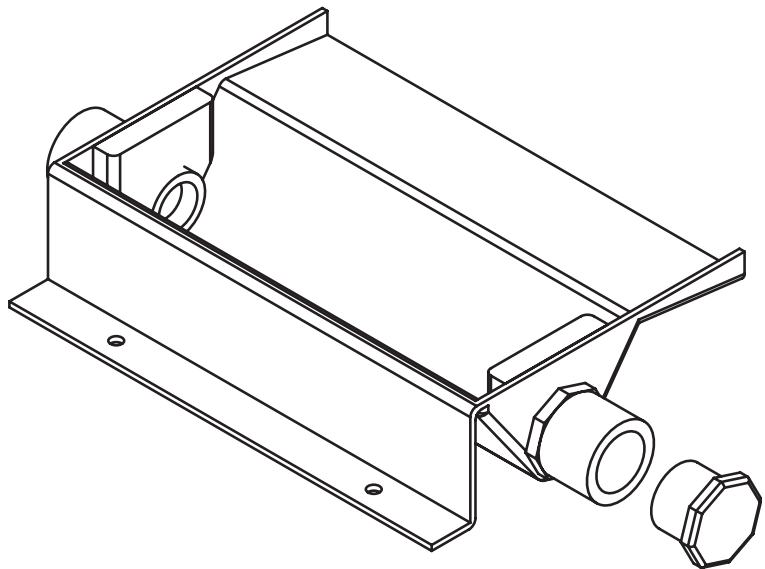
IMPORTANT - To prevent water leaks use only the factory supplied mounting holes. NEVER make penetrations in the drain pan itself.



STEP 4: INSTALL DRAIN PLUG

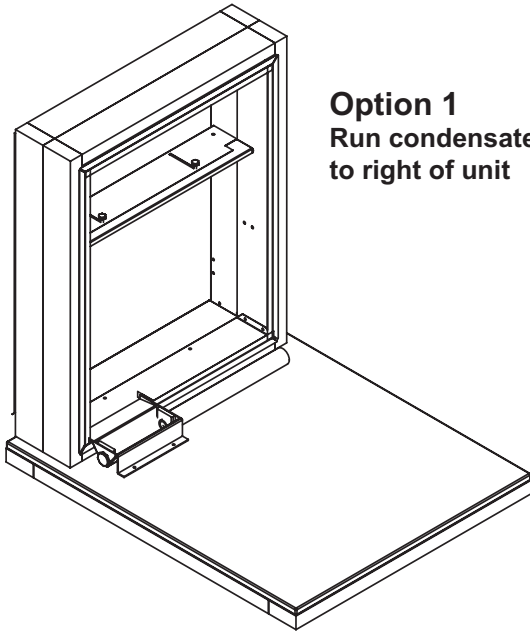
The drain pan comes with both left and right-hand drain connections locations. Determine which of the two connections will be used to drain the condensate. Then, with the factory supplied drain plug, plug the unused opening.

NOTE - proper sealant must be applied to the connection to prevent leaks.

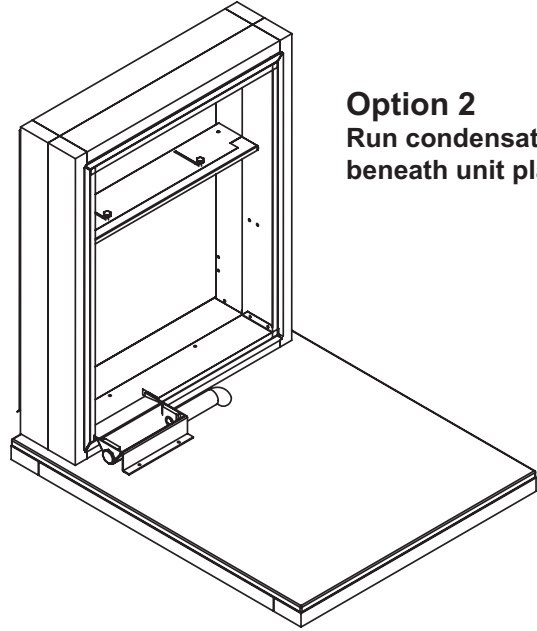


STEP 5: INSTALL DRAIN LINE

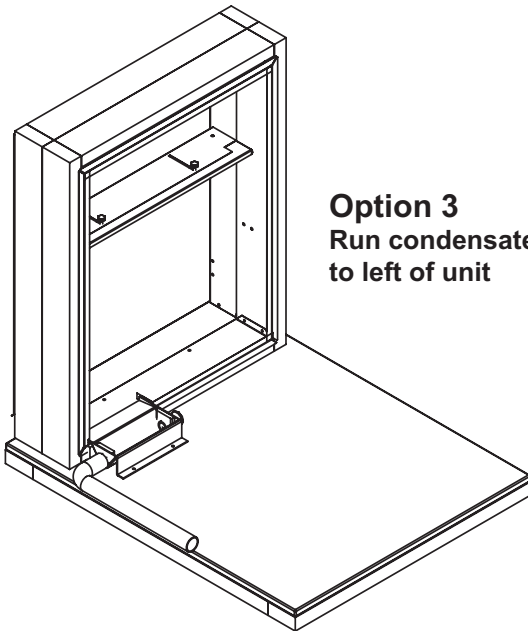
Condensate line routing options are shown below. Choose the one that best suits your installation. Never run the condensate line as shown in Option 4 below, as the drain line will come into contact with the factory-installed isolators beneath the unit.



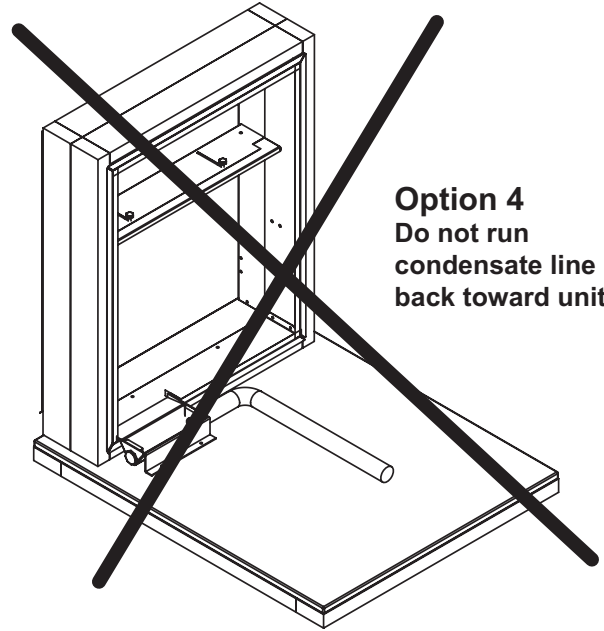
Option 1
Run condensate line
to right of unit



Option 2
Run condensate line
beneath unit platform



Option 3
Run condensate line
to left of unit



Option 4
Do not run
condensate line
back toward unit

IMPORTANT The drain pan and line must be kept free from debris. Prior to installing the chassis ensure that there are no blockages in the drain pan or line.

Friedrich

Friedrich Air Conditioning Co. | www.friedrich.com | Post Office Box 1540 | San Antonio, TX 78295-1540 | 210.357.4400 | Fax 210.357.4480

Printed in the U.S.A.

920-069-06 (5-06)