

# Installation Instructions

## DRAIN PAN

For Vert-I-Pak A Series 24,000 Btuh units only.

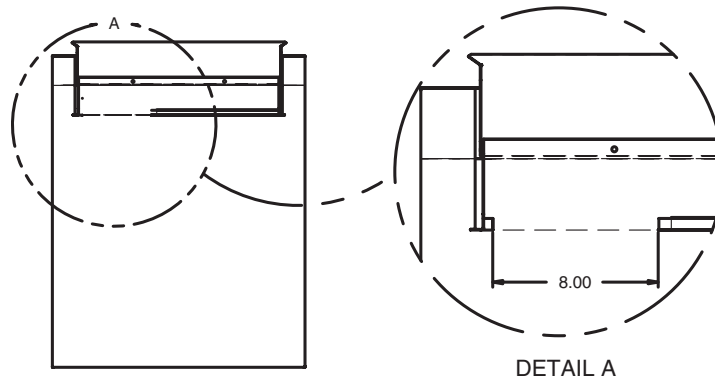
Please read these instructions completely before attempting installation.

**Note:** This drain pan must be installed with all VEA24 and VHA24 units.

### STEP 1: CUT OPENING IN GASKET

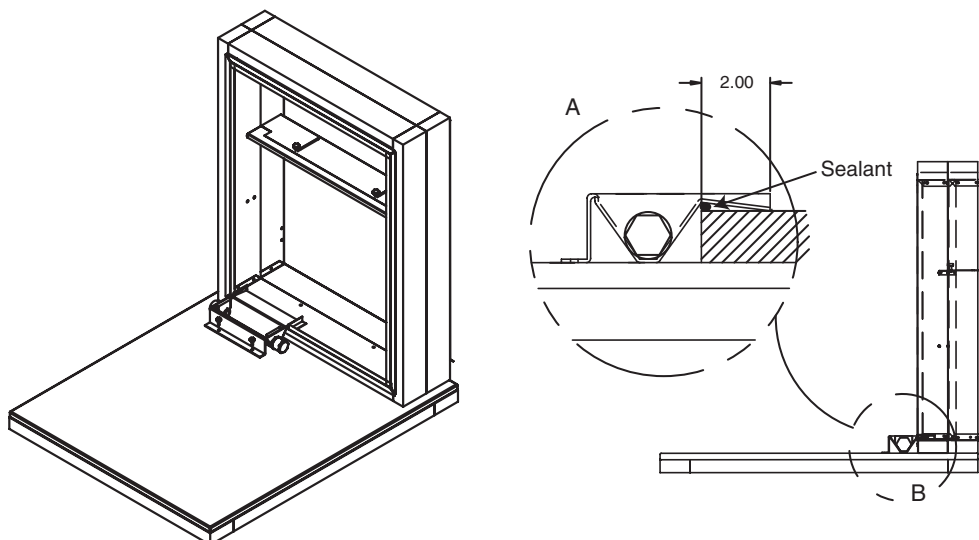
Remove an 8" portion of the weather seal gasket from the bottom left surface of the plenum.

To remove: Cut the gasket in the lower left corner of the plenum. Then make a second cut 8" from the left corner. The gasket should peel away from the plenum leaving a clean mounting surface (See detail A).



### STEP 2: SEAL AND SET PAN

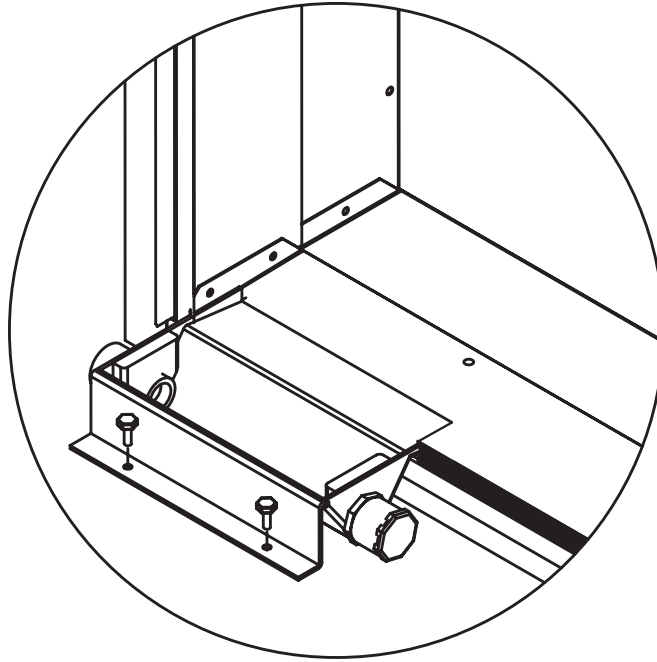
Prior to placing the drain pan into the opening run a 1/4" bead of sealant the entire width of the removed gasket. The secondary overflow lip must extend into the plenum to prevent water leaks. The pan should be mounted against the 3/4" flange of the plenum, refer to view A.



### STEP 3: INSTALL DRAIN PAN

Attach the drain pan to the closet floor with the appropriate field supplied hardware.

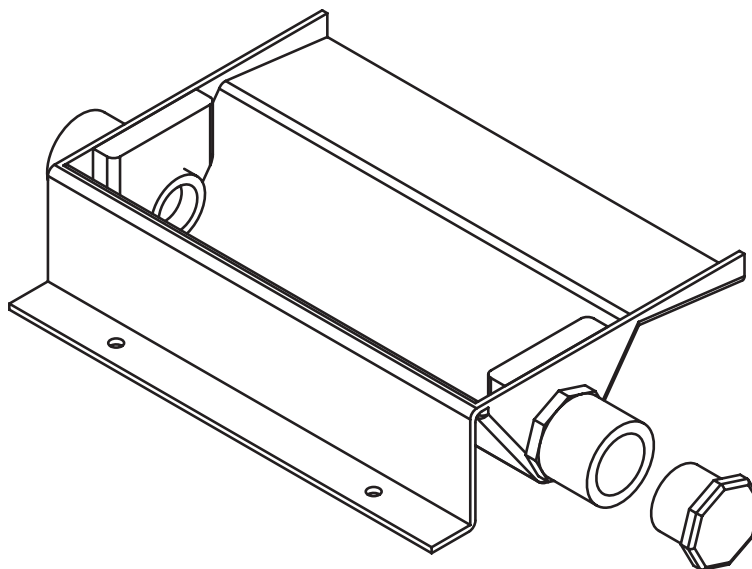
**IMPORTANT** - To prevent water leaks use only the factory supplied mounting holes. NEVER make penetrations in the drain pan itself.



### STEP 4: INSTALL DRAIN PLUG

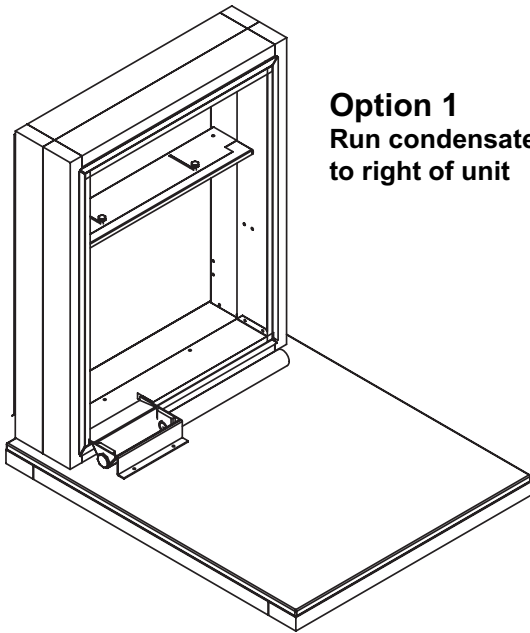
The drain pan comes with both left and right-hand drain connections locations. Determine which of the two connections will be used to drain the condensate. Then, with the factory supplied drain plug, plug the unused opening.

**NOTE** - proper sealant must be applied to the connection to prevent leaks.

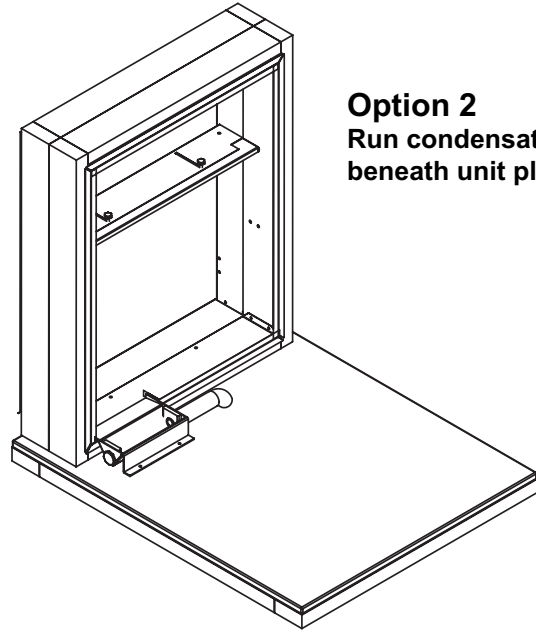


## STEP 5: INSTALL DRAIN LINE

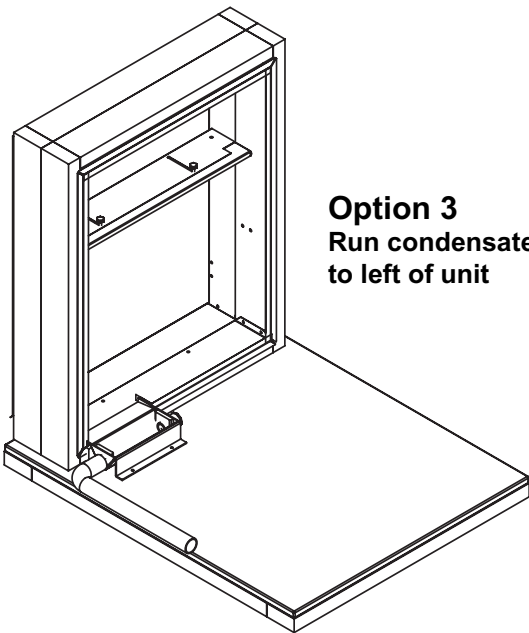
Condensate line routing options are shown below. Choose the one that best suits your installation. **Never** run the condensate line as shown in Option 4 below, as the drain line will come into contact with the factory-installed isolators beneath the unit.



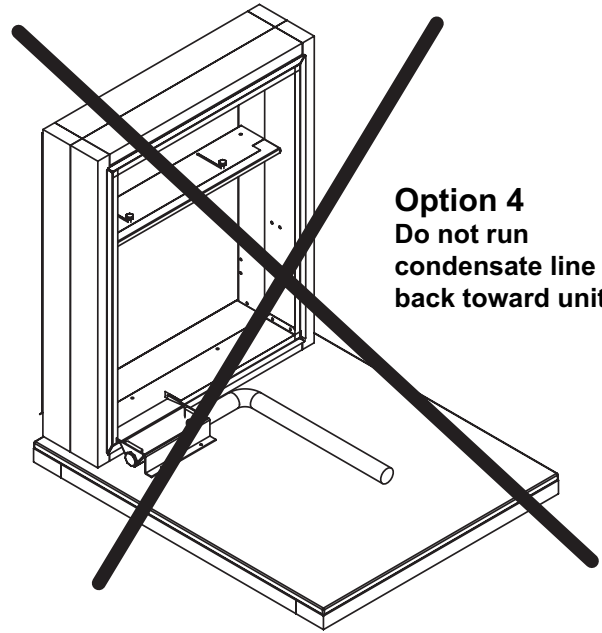
**Option 1**  
Run condensate line  
to right of unit



**Option 2**  
Run condensate line  
beneath unit platform



**Option 3**  
Run condensate line  
to left of unit



**Option 4**  
Do not run  
condensate line  
back toward unit

**IMPORTANT - The drain pan and line must be kept free from debris. Prior to installing the chassis ensure that there are no blockages in the drain pan or line.**

***Friedrich***<sup>®</sup>

**FRIEDRICH AIR CONDITIONING CO. INC.**

Post Office Box 1540 · San Antonio, Texas 78295-1540  
4200 N. Pan Am Expressway · San Antonio, Texas 78218-5212  
(210) 357-4400 · FAX (210) 357-4480

[www.friedrich.com](http://www.friedrich.com)

Printed in the U.S.A.

920-150-00 (1-05)