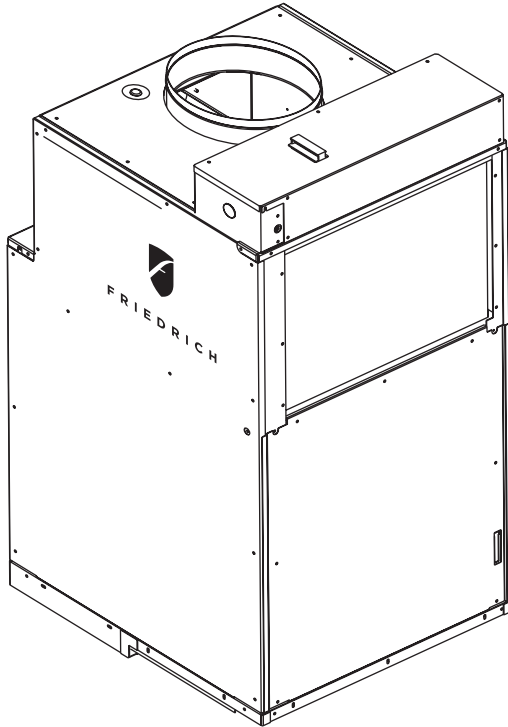




## VERT-I-PAK<sup>®</sup> A-Series

Single Package Vertical Air Conditioning System  
24,000 Btu/hr



NOTE: This manual only applies to 24,000 Btu/hr models. For 9,000-18,000 Btu/hr models refer to manual 959-910-01\_03.

---

# Table of Contents

## General Information

General Instructions .....	1
Warnings .....	1
Your Safety and the Safety of Others.....	1

## General Specifications

Model Number Identification Guide .....	2
Chassis Specifications .....	2
Electrical Data.....	2
Electrical Requirements.....	3
Electrical Rating Tables.....	3

<b>Installation Recommendations</b> .....	4
-------------------------------------------	---

## Installation

Utility Closet Dimensions.....	5
Wall Plenum & Architectural Louver Installation .....	6
Drain Pan Installation .....	10
Condensate Disposal System .....	13
Indoor Return Air Grille Installation.....	13
Ductwork .....	13
Chassis Installation .....	14

## Remote Thermostat Operation

Remote Thermostat.....	15
Desk Control Terminals .....	15
Thermostat Connections .....	15
Auxiliary Fan Control .....	15
Electrical and Friedrich Thermostat Wiring Diagrams .....	16

## Chassis Final Connection

Final Installation checklist.....	17
-----------------------------------	----

## Chassis Operation

Fresh Air Door .....	17
Low Ambient Compressor Lock Out .....	17
Room Freeze Protection .....	17
Emergency Heat Operation.....	17

## Service

Servicing/Chassis Quick Changeouts .....	18
Routine Maintenance .....	18
Electronic Control Error Code Diagnostics and Test Mode .....	18
Error Codes .....	19

Accessories.....	20
------------------	----

<b>Warranty</b> .....	21
-----------------------	----

# Congratulations!

Thank you for your decision to purchase the Friedrich Vert-I-Pak Air Conditioner (VPAK). Your new Friedrich has been carefully engineered and manufactured to give you many years of dependable, efficient operation, maintaining a comfortable temperature and humidity level. Many extra features have been built into your unit to assure quiet operation, the greatest circulation of cool, dry air, and the most economic operation.

## General Instructions

This Installation and Operation Manual has been designed to ensure maximum satisfaction in the performance of your unit. For years of trouble-free service, please follow the installation instructions closely. We cannot overemphasize the importance of proper installation. We have added new information to the basic instructions to help you achieve success.

### Here are some suggestions to help you use your new Friedrich most efficiently:

1. Carefully read and follow the installation instructions.
2. Clean the filter frequently (See Routine Maintenance, page 18).
3. Do not block the air flow to and from the unit.
4. A dirty filter or improperly set controls can affect the cooling ability and overall performance of the unit.
5. If cooling is weak and you have verified that the filter is clean and the controls are properly set, the unit may need service, and you should call your Friedrich service provider to Check the unit.
6. Keep blinds, shades and drapes closed on the sunny side of the room being cooled for optimum performance.
7. Proper insulation helps your unit maintain the desired inside temperature.



## WARNING

Please read this manual thoroughly prior to equipment installation or operation.

It is the installer's responsibility to properly apply and install the equipment. Installation must be in conformance with the NFPA 70-2008 National Electric Code or current edition, International Mechanic Code 2009 or current edition and any other applicable local or national codes.

Failure to do so can result in property damage, personal injury or death.



## WARNING

### Refrigeration system under high pressure.

Do not puncture, heat, expose to flame or incinerate.

Only certified refrigeration technicians should service this equipment.

R410A systems operate at higher pressures than R22 equipment. Appropriate safe service and handling practices must be used.

Only use gauge sets designed for use with R410A. Do not use standard R22 gauge sets.

Failure to do so can result in property damage, personal injury or death.

### Your safety and the safety of others are very important.

We have provided many important safety messages in this manual and on your appliance. Always read and obey all safety messages.

This is a safety Alert symbol.

This symbol alerts you to potential hazards that can kill or hurt you and others.

All safety messages will follow the safety alert symbol with the word "WARNING" or "CAUTION".

These words mean:



## WARNING

Indicates a hazard which, if not followed, can result in severe personal injury or death and damage to product or other property.

## CAUTION

Indicates a hazard which, if not avoided, can result in personal injury and damage to product or other property.

All safety messages will tell you what the potential hazard is, tell you how to reduce the chance of injury, and tell you what will happen if the instructions are not followed.

## NOTICE

Indicates property damage can occur if instructions are not followed.

# General Specifications

## Vert-I-Pak® Model Identification Guide

MODEL NUMBER	V	E	A	24	K	34	RT	L
<b>SERIES</b> V=Vertical Series								<b>ENGINEERING CODE</b>
E =Cooling with electric heat H =Heat Pump								<b>OPTIONS</b> RT = Standard Remote Operation
<b>DESIGN SERIES</b> A = 47" Cabinet								<b>ELECTRIC HEATER SIZE</b>
<b>NOMINAL CAPACITY</b> A Series (Btu/h)								A Series 25 = 2.5 KW 34 = 3.4 KW 50 = 5.0 KW 75 = 7.5 KW 100 = 10.0 KW
<b>VOLTAGE</b> K = 208/230V-1Ph-60Hz    R= 265V - 1 Ph - 60 Hz								Refer to electrical data chart for heater/unit compatibility.

## Vert-I-Pak® Chassis Specifications

Voltage (V)	230/208 /265
Refrigerant	R-410A
Chassis Width	23 1/8"
Chassis Depth	23 1/8"
Chassis Height **	47 1/4"
Supply Duct Collar ***	10"
Drain Connection	3/4" FPT
CFM Indoor	See chart, page 14
Max. Duct ESP	.4" water

\*\* Height includes 2" duct collar & isolators under unit.

\*\*\* Factory collar accepts 10" flex duct.

## Electrical Data

	VEA24K					VHA24K				
	2500/2050	3400/2780	5000/4090	7500/6135	10000/8180	2500/2050	3400/2780	5000/4090	7500/6135	10000/8180
Heater Watts	2500/2050	3400/2780	5000/4090	7500/6135	10000/8180	2500/2050	3400/2780	5000/4090	7500/6135	10000/8180
Voltage	230/208					230/208				
Heating Current (Amps)	10.9/9.9	14.8/13.4	21.7/19.7	32.6/29.5	43.5/39.3	10.9/9.9	14.8/13.4	21.7/19.7	32.6/29.5	43.5/39.3
Minimum Circuit Ampacity	17.2/15.9	22.1/20.3	30.7/28.1	44.3/40.3	57.9/52.7	17.2/15.9	22.1/20.3	30.7/28.1	44.3/40.3	57.9/52.7
Branch Circuit Fuse (Amps)	25	25	30	45	60	25	25	30	45	60
LRA - Compressor (Amps)	34.8	34.8	34.8	34.8	34.8	34.8	34.8	34.8	34.8	34.8
Cooling Current (Amps)	10.0/10.4	10.0/10.4	10.0/10.4	10.0/10.4	10.0/10.4	10.6/10.9	10.6/10.9	10.6/10.9	10.6/10.9	10.6/10.9
Basic heater Size	2.5 kw	3.4 kw	5.0 kw	7.5 kw	10.0 kw	2.5 kw	3.4 kw	5.0 kw	7.5 kw	10.0 kw
Power Connection	HARD WIRED					HARD WIRED				
Recommended Branch Circuit Wire Sizes* AWG - American Wire Gauge	10	10	10	6	4	10	10	10	6	4

\* Single circuit from main box. Based on copper wire 100' or less, single insulated conductor at 60 ° C.

**NOTE:** Use copper conductors ONLY. Wire sizes are per NEC. Check local codes for overseas applications.

Electrical Data					
	VHA24R				
Heater Watts	2500	3400	5000	7500	10000
Voltage	265				
Heat Current (Amps)	12.2	15.6	19.8	29.2	38.6
Heating Amps HP	8.1	8.1	8.1	8.1	8.1
Minimum Circuit Ampacity	20	20	24.8	36.5	48.3
Branch Circuit Fuse (Amps)	25	25	30	40	50
LRA - Compressor (Amps)	46	46	46	46	46
Cooling Current (Amps)	9.7	9.7	9.7	9.7	9.7
Basic Heater Size	2.5 kW	3.4 kW	5.0 kW	7.5 kW	10.0 kW
Power Connection Hard Wired	Hard Wired				
Recommended Branch Circuit Wire Sizes	10	10	10	8	6

\* Single circuit from main box. Based on copper wire 100' or less, single insulated conductor at 60° C.

NOTE: Use copper conductors ONLY. Wire sizes are per NEC. Check local codes for overseas applications.

Electrical Requirements	
Wire Size	Use <b>ONLY</b> wire size recommended for single outlet branch circuit.
Fuse/Circuit Breaker	Use <b>ONLY</b> type and size fuse or HACR circuit breaker indicated on unit's rating plate (See sample below). Proper over current protection to the units is the responsibility of the owner.
Grounding	Unit <b>MUST</b> be grounded from branch circuit to unit, or through separate ground wire provided on permanently connected units. Be sure that branch circuit or general purpose outlet is grounded.
Wire Sizing	Use recommended wire size given in tables and install a single branch circuit. All wiring must comply with local and national codes. <b>NOTE:</b> Use copper conductors only.

**NOTE:** All field wiring must comply with NEC and local codes. It is the responsibility of the installer to insure that the electrical codes are met.

### Electrical Rating Tables

**NOTE:** Use copper conductors ONLY. Wire sizes are per NEC. Check local codes for overseas applications.

Recommended branch circuit wire sizes	
Nameplate Maximum Circuit Breaker Size	AWG Wire Size
20A	12
30A	10
40A	8
55A	6
70A	4

AWG --- American Wire Gauge

\* Single circuit from main box.

\*\* Based on 100' or less of copper, single insulated conductor at 60° C

### Sample Nameplate

MODEL NO 1 SERIAL NO * FRIEDRICH AIR CONDITIONING CO. SAN ANTONIO, TEXAS VOLTS: 24,33,24 VOLTAGE RANGE: 255-197 REFRIG CHARGE: 7 OZS. R22 DESIGN PRESSURE: 575 PSIG HS / 150 PSIG LS COOLING: BTUHR 8 SEER: 10 COP: 16 HEAT PUMP BTUHR: 14 TOTAL COOLING AMPS: 9 TOTAL ELEC. HEAT AMPS: 15 ELECTRIC HEAT WATTS: 15 FOR PERMANENTLY CONNECTED UNITS ONLY: COMP. PLA 11 LRA 12 MOTOR: FLA 13 HP 19 HEATER AMPS: 17 MIN. CKY AMP -0 USE -1 MAX. TIME DELAY FUS OR HACR TYPE CIRCUIT BREAKER. GENERAL UNIT INFORMATION: MAX OUTLET AIR TEMPERATURE: 200°F MAX EXTERNAL STATIC PRESSURE ELECTRIC HEAT: .5 IN. WATER *O" CLEARANCE TO COMBUSTIBLE MATERIAL USE ON SINGLE OUTLET CIRCUIT ONLY	<h2 style="margin: 0;">WARNING</h2> <p style="margin: 5px 0;">ELECTRICAL SHOCK AND MOVING PARTS HAZARD CAN CAUSE INJURY OR DEATH</p> <p style="margin: 5px 0;">PULL OUT AND DISCONNECT HEATING AND COOLING EQUIPMENT FROM THIS UNIT TO DISABLE POWER BEFORE SERVICING.</p>	LISTED 120524 HEATING AND COOLING EQUIPMENT APPLICABLE PATENTS: US 6,065,296 NY MEA NO.: 295-00-E USE ONE OF THE FOLLOWING ITEMS FROM EACH CATEGORY TO COMPLETE THE ASSEMBLY WALL PLENUM: VPWP1-8 VPWP1-14 OUTDOOR GRILLE VPA2 INDOOR GRILLE VPRG1 VPRG2 VPRG5
-------------------------------------------------------------------------------------------------------------------------------------------------------------------------------------------------------------------------------------------------------------------------------------------------------------------------------------------------------------------------------------------------------------------------------------------------------------------------------------------------------------------------------------------------------------------------------------------------------------------------------------------------------------------------------------------------------------------------------------------------------------------	--------------------------------------------------------------------------------------------------------------------------------------------------------------------------------------------------------------------------------------------------------------------------------------------------------	----------------------------------------------------------------------------------------------------------------------------------------------------------------------------------------------------------------------------------------------------------------------------------------------------------------------------

## ⚠ WARNING

**Electrical shock hazard.**

Turn OFF electric power before service or installation.

Unit must be properly grounded.

Unit must have correct fuse or circuit breaker protection.

Unit's supply circuit must have the correct wire conductor size.

All electrical connections and wiring must be installed by a qualified electrician and conform to the National Electrical Code and all local codes which have jurisdiction.

Failure to do so can result in property damage, personal injury and /or death.

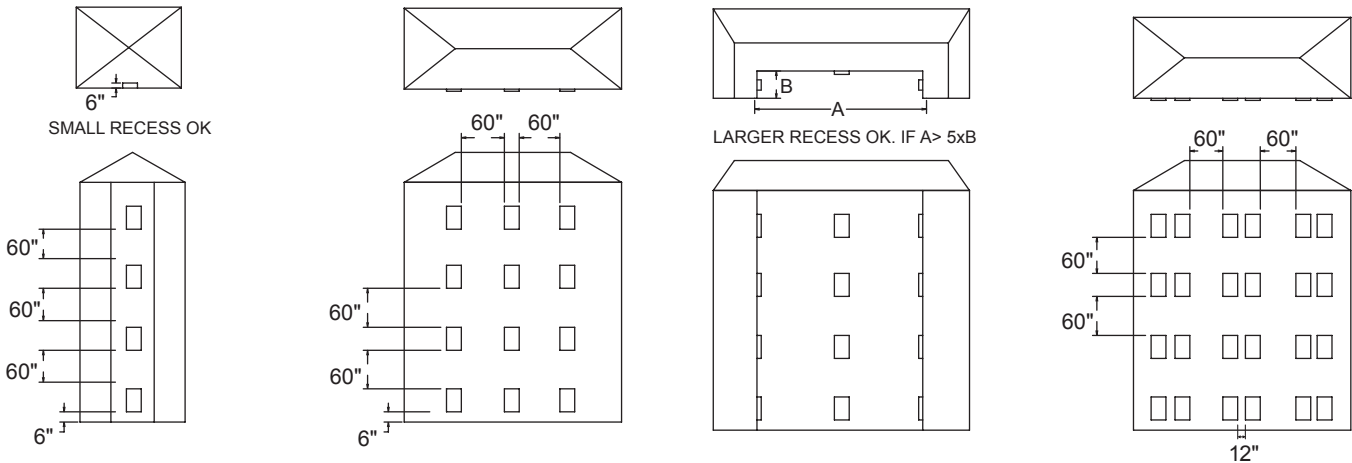
<b>THINK SAFETY FIRST</b>	<h3 style="margin: 0;">⚠ WARNING</h3> <p>Do not remove, disable or bypass this unit's safety devices. Doing so may cause, fire, injuries or death.</p>	<h3 style="margin: 0;">⚠ AVERTISSEMENT</h3> <p>Ne pas supprimer, désactiver ou contourner cette l'unité des dispositifs de sécurité. faire vous risqueriez de provoquer, le feu, les blessures ou la mort.</p>	<h3 style="margin: 0;">⚠ ADVERTENCIA</h3> <p>No eliminar, desactivar o pasar por alto los dispositivos de seguridad de la unidad. Si lo hace podría producirse fuego, lesiones o muerte.</p>
-----------------------------------	--------------------------------------------------------------------------------------------------------------------------------------------------------	----------------------------------------------------------------------------------------------------------------------------------------------------------------------------------------------------------------	----------------------------------------------------------------------------------------------------------------------------------------------------------------------------------------------

# Vert-I-Pak Installation Recommendations

For proper unit performance and maximum operating life refer to the minimum installation clearances below.

**Figure 1**

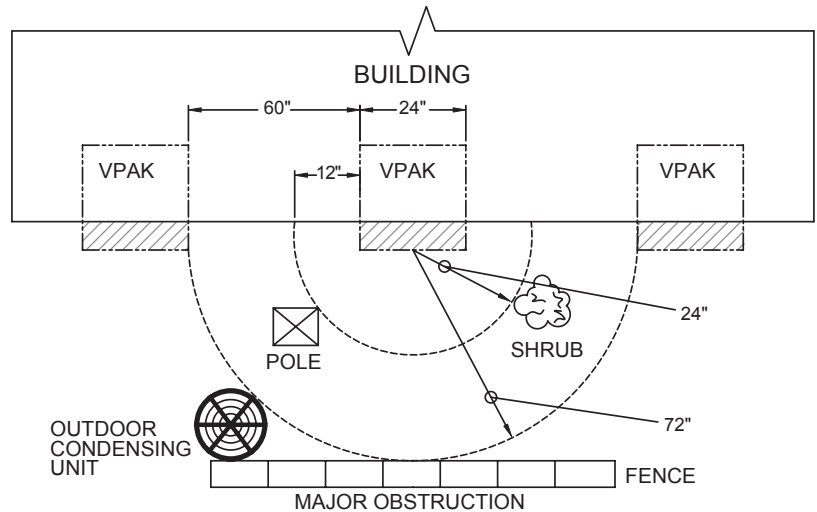
VERT-I-PAK® units must be installed on an outside wall. Confined spaces and/or covered areas should be avoided. Units should be installed no closer than 12" apart when two units are side by side. If three or more units are to operate next to one another allow a minimum of 60" between units or pairs of units. Also, a vertical clearance of 60" should be maintained between units. Units installed on the bottom floor should be mounted at least 6" off of the ground.



**Figure 2**

Any time obstructions are present use the following guidelines for proper spacing from the VERT-I-PAK louver:

- For minor obstructions such as lamp poles or small shrubbery a clearance of 24" from the outdoor louver should be maintained.
- For major obstructions such as a solid fence, wall or other heat rejecting device like a condensing unit, a minimum distance of 72" should be kept.



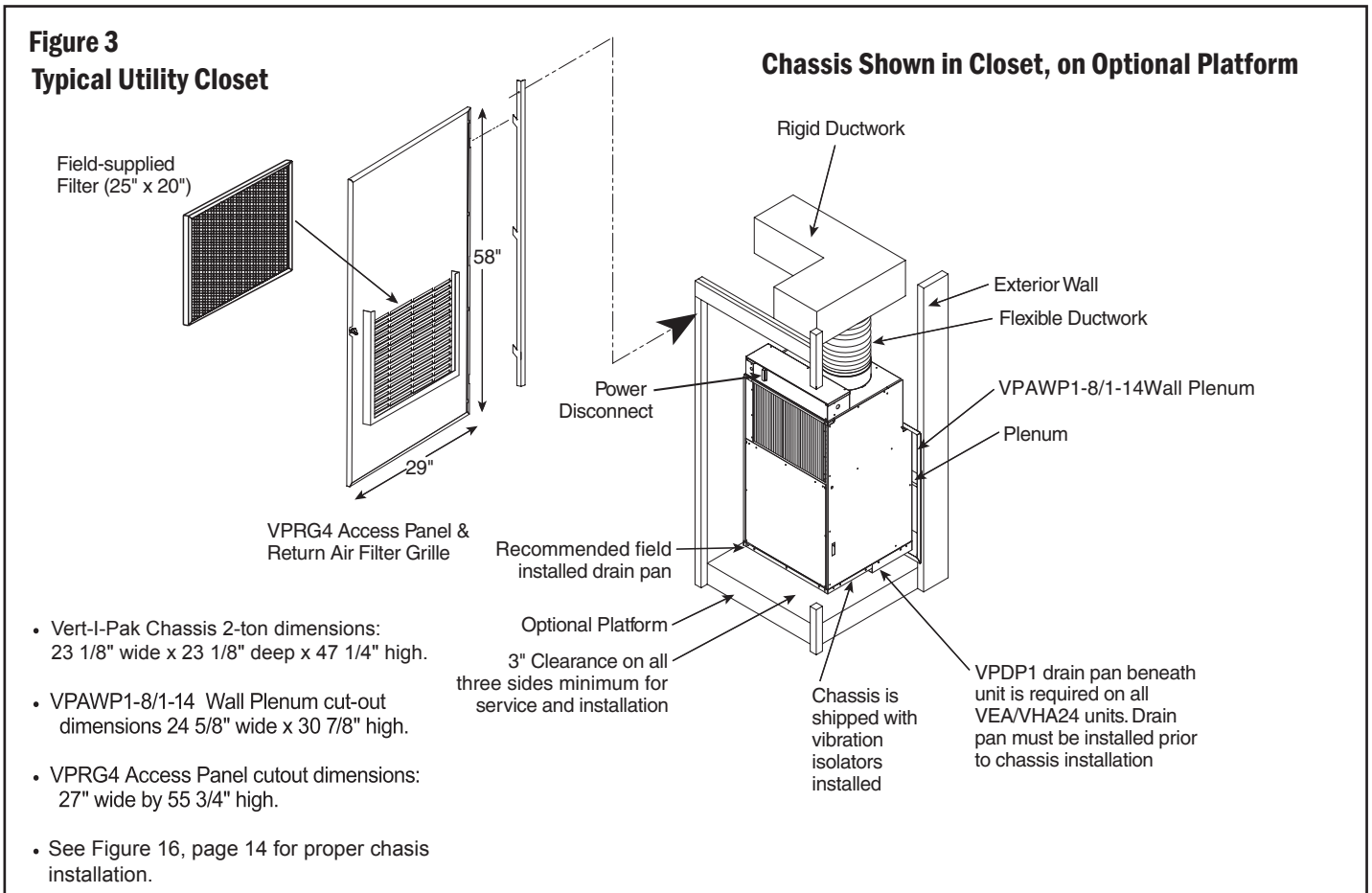
The above suggestions are for reference only and do not represent all possible installations. Please contact Friedrich for information regarding affects of other installation arrangements.

By following these simple recommendations you can be confident that your Friedrich Vert-I-Pak® will provide years of worry-free operation.

# Installation

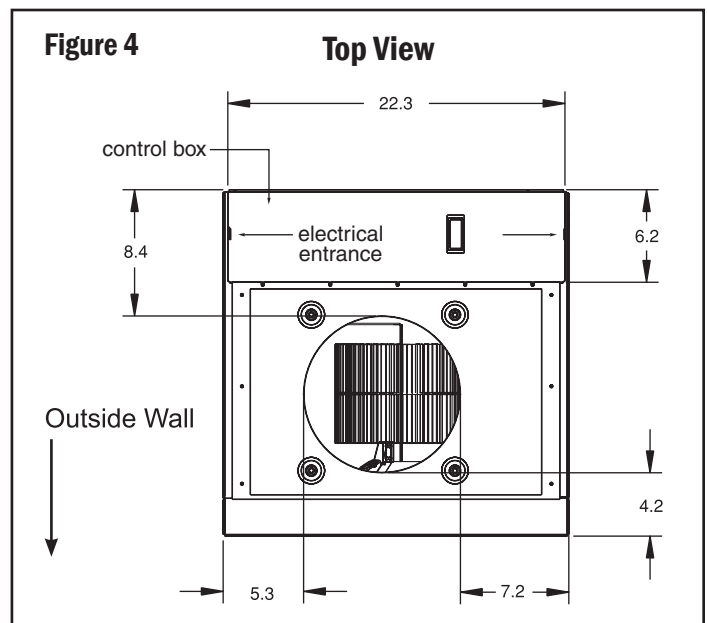
## Utility Closet Dimensions

Recommended utility closet dimensions and a typical indoor installation are illustrated in Figure 3. Three inches minimum clearance on three sides of the unit must be allowed for return airflow, installation access and service access. See Figures 3 & 4 for clearances and reference dimensions.



## NOTICE

Drain pan must be installed in closet prior to chassis insertion into plenum. See Page 10 for drain pan installation details. Failure to do so can result in property damage.



# Wall Plenum and Architectural Louver Installation

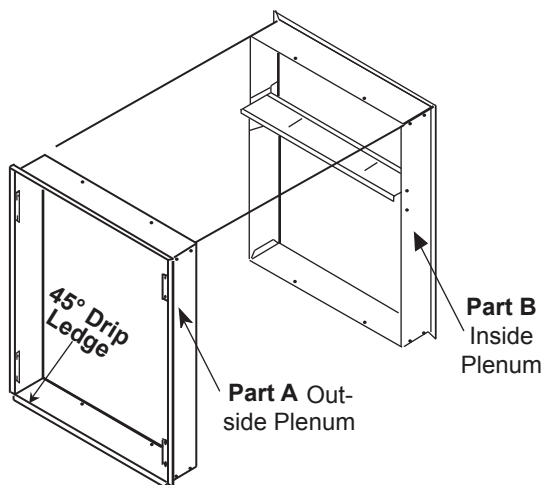
Install the wall plenum components in accordance with the installation instructions provided.

**NOTE:** IMPORTANT REMINDER FRIEDRICH WALL PLENUM IS NOT DESIGNED TO CARRY STRUCTURAL LOADS. PROPER WALL HEADER CONSTRUCTION IS REQUIRED. THE PLENUM REQUIRES PROPER FLASHING, SHIM AND CAULK FOR A WEATHER RESISTANT INSTALLATION.

YOUR WALL PLENUM WILL WORK ONLY IF INSTALLED CORRECTLY. TAKE NOTICE TO INSTALL IT IN THE CORRECT ORIENTATION AS SHOWN IN THE ILLUSTRATIONS. ALWAYS FOLLOW LOCAL AND NATIONAL CODES FOR PROPER INSTALLATION.

**Figure 5  
Included Parts**

There are two parts to a Wall Plenum:  
 A) 1-Outside Assembly (Part A)  
 B) 1-Inside Assembly (Part B)



**PART A CORRECT ORIENTATION:**  
 ● LOUVER ATTACHMENT  
 FLANGES TOWARD THE BUILD-  
 ING OUTSIDE, 45°  
 DRIP LEDGE AT THE BOTTOM.

**PART B CORRECT ORIENTATION:**  
 ● LARGE OPENING TO BOTTOM  
 3/4" FLANGE TOWARD THE INSIDE  
 OF THE BUILDING.

**Figure 6  
Field Supplied Parts:**

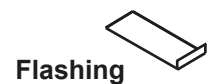
**Caulk, Attachment screws and Flashing are field supplied.** Silicone caulk is recommended.

VPAWP1-8 adjusts for walls 5.5 - 8.0" thick.  
 VPAWP1-14 adjusts for walls 8 - 14.0" thick.

Both installations are similar.



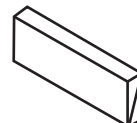
Caulk



Flashing



Shim



Header materials /  
wall studs



1" -3" Screws to attach  
the plenum assembly  
to the wall studs



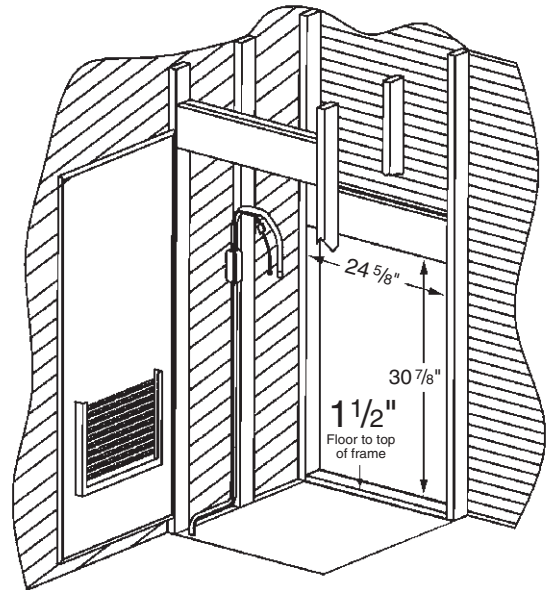
**Figure 7**  
**Measure and frame out the outside wall plenum opening**

**24000 BTU/h**

The plenum cut out dimensions are 24 5/8" wide x 30 7/8" high. The bottom of the rough in opening must be 1 1/2" from the surface the unit will sit on.

Measure your outside wall as shown in the illustration. Cut, frame, and square rough opening. The Wall plenum has a 3/4" break all the way around to cover the rough cut opening or required shim.

If the installation will utilize an auxiliary drain pan the drain pan must be a maximum of 1 1/2" tall. If the drain pan to be used is taller, the unit must be raised within the auxiliary pan by the difference in height of the drain pan and 1 1/2"

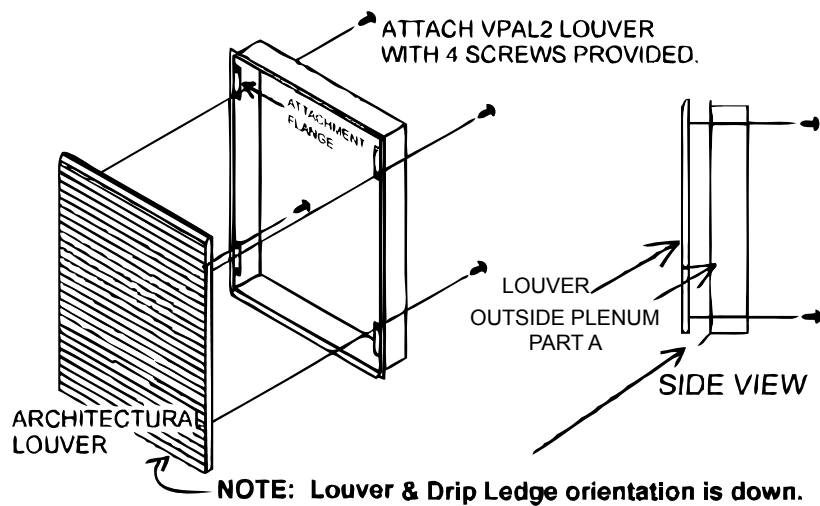


**IMPORTANT:** THE WALL PLENUM IS NOT DESIGNED TO CARRY STRUCTURAL LOADS. A PROPER HEADER OPENING MUST BE BUILT INTO THE ROUGH OPENING. THE PLENUM REQUIRES FLASHING, SHIM AND CAULK FOR A WEATHER-RESISTANT INSTALLATION.

IT IS THE RESPONSIBILITY OF THE CONTRACTOR TO PROPERLY INSTALL THE PLENUM AND MEET BUILDING CODE REQUIREMENTS.

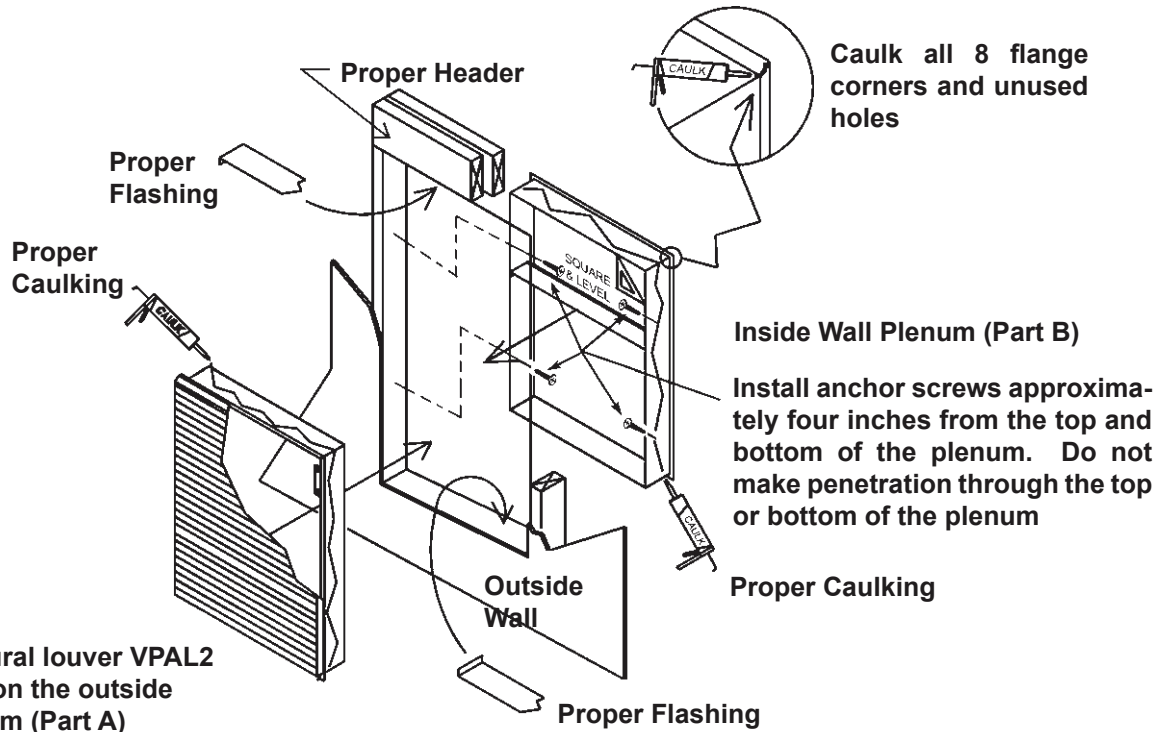
**Figure 8**  
**Install Architectural Louver on the Outside Plenum**

**NOTE:** The VPAL2 Architectural Louver is best installed onto the Outside Plenum (Part A) **prior** to Wall Plenum installation. Louver installation is easier at this point, and it will help keep the Wall Plenum square during installation.



**Figure 9**  
**Plenum Installation**

**NOTE:** Proper header and wall penetration must conform to all national and local building codes.



After the rough cut opening is prepared, you are ready to assemble the two wall plenum parts. Before caulking and permanent attachment, dry fit the outside plenum into the rough opening and check for fit and level. Caulk (silicone recommended ) the parts well and insert them into the wall as shown.

A) Apply caulk and insert Outside Part A into the hole.

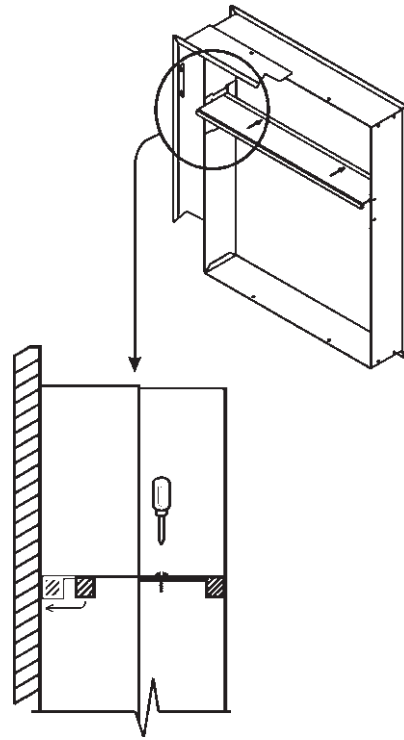
B) Apply caulk and insert Inside Part B into Part A. Be sure that Part A does not back out of the wall hole.

**Figure 10**  
**Adjust the Divider**

**Adjustment**

Loosen the two screws located on the top side of the divider. Slide the top part of the divider toward the outside until the sealing strip makes contact with the outdoor louver. Tighten the divider screws to complete the adjustment.

**NOTE:** Let the caulk cure completely before installing the chassis. This completes the plenum installation.

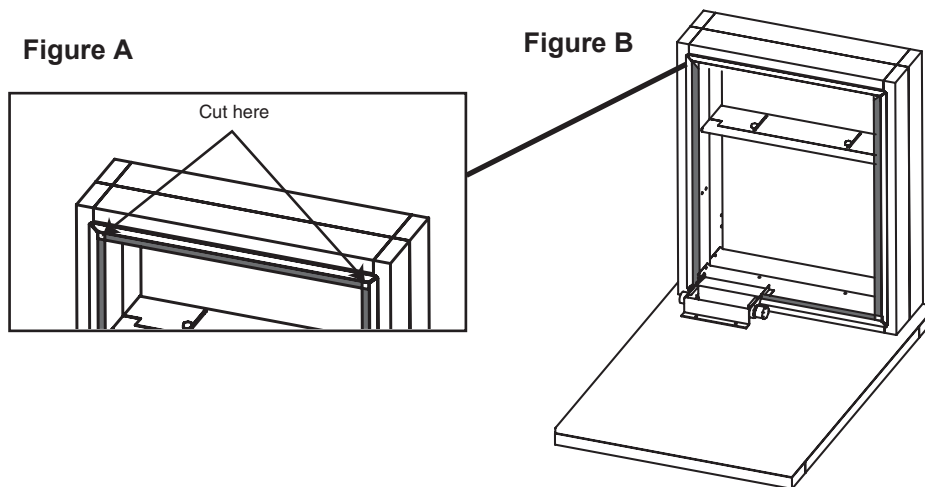


**Figure 11**  
**Wall Plenum Preparations**

**IMPORTANT:** This step must be performed to ensure that the chassis installs and seals properly in the wall plenum.

From the inside of the closet locate the top portion of the factory installed weatherseal gasket, See Figure A. Cut the gasket in the upper left and right hand corners of the plenum. Carefully remove the entire top piece of gasket.

When completed, the wall plenum installation for the 24000 Btu/h unit should look like Figure B. Figure B is shown with the VPDP1 drain pan installed. The drain pan is required for all 24000 units.



## Drain Pan Installation

**NOTE:** THE ACCESSORY DRAIN PAN (VPDP1) MUST BE INSTALLED BEFORE INSTALLING THE UNIT.

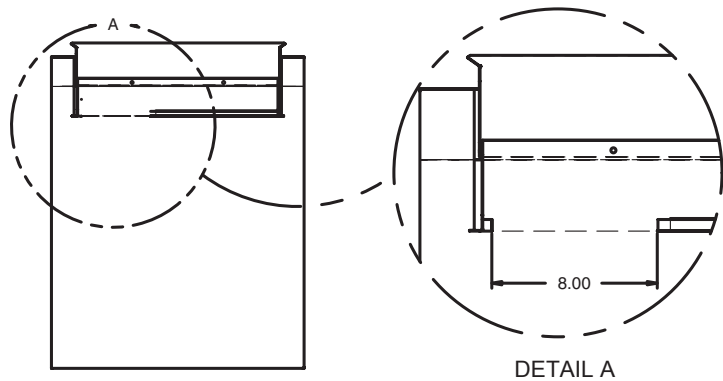
1. The accessory drain pan has two (2) provisions (left & right) for connecting an external condensate drain.
2. A field supplied condensate drain system must be connected to one of the two  $\frac{3}{4}$ " FPT connections.
3. The remaining connection must be plugged using the  $\frac{3}{4}$ " pipe plug (provided) and field supplied Teflon tape or pipe joint compound.
4. Failure to follow these procedures may result in serious property damage.
5. This is the primary drain pan. A field supplied secondary condensate pan is recommended and may be required. Check with your local and national codes.

**Figure 12**

### STEP 1: CUT OPENING IN GASKET

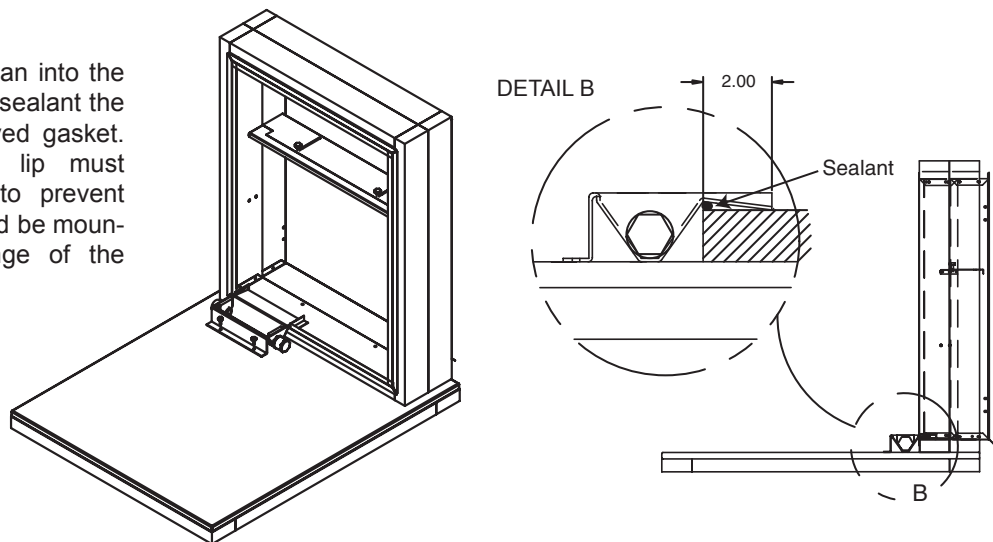
Remove an 8" portion of the weather seal gasket from the bottom left surface of the plenum.

To remove: Cut the gasket in the lower left corner of the plenum. Then make a second cut 8" from the left corner. The gasket should peel away from the plenum leaving a clean mounting surface (See detail A).



### STEP 2: SEAL AND SET PAN

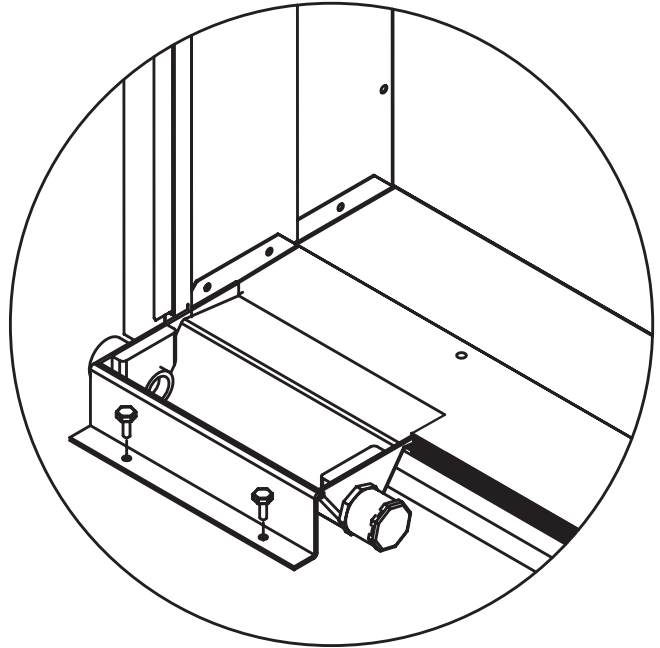
Prior to placing the drain pan into the opening run a  $\frac{1}{4}$ " bead of sealant the entire width of the removed gasket. The secondary overflow lip must extend into the plenum to prevent water leaks. The pan should be mounted against the  $\frac{3}{4}$ " flange of the plenum (See detail B).



**Figure 13**

### **STEP 3: INSTALL DRAIN PAN**

Attach the drain pan to the closet floor with the appropriate field supplied hardware.  
**IMPORTANT:** To prevent water leaks use only the factory supplied mounting holes. **NEVER** make penetrations in the drain pan itself.



### **STEP 4: INSTALL DRAIN PLUG**

The drain pan comes with both left and right-hand drain connections locations. Determine which of the two connections will be used to drain the condensate. Then, with the factory supplied drain plug, plug the unused opening.

**NOTE:** Proper sealant must be applied to the connection to prevent leaks.

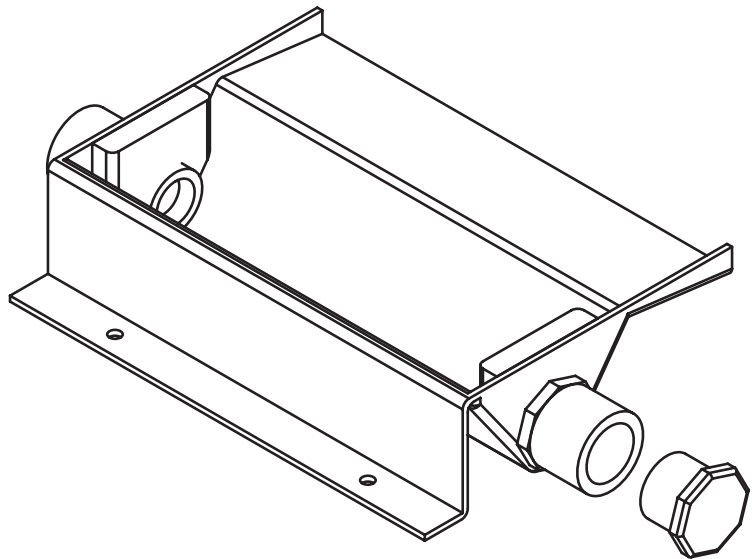
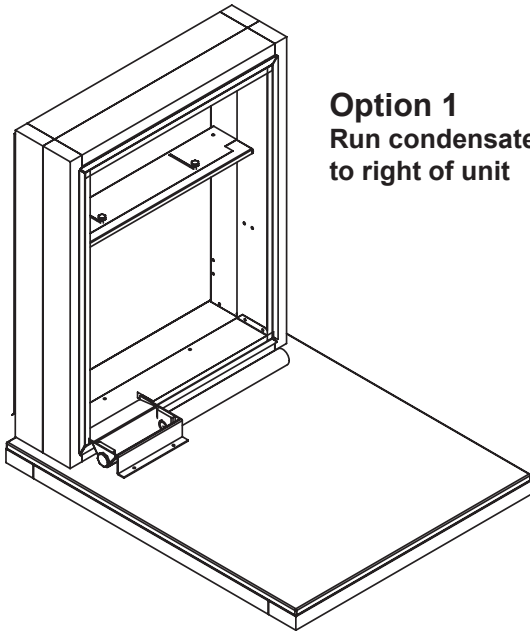


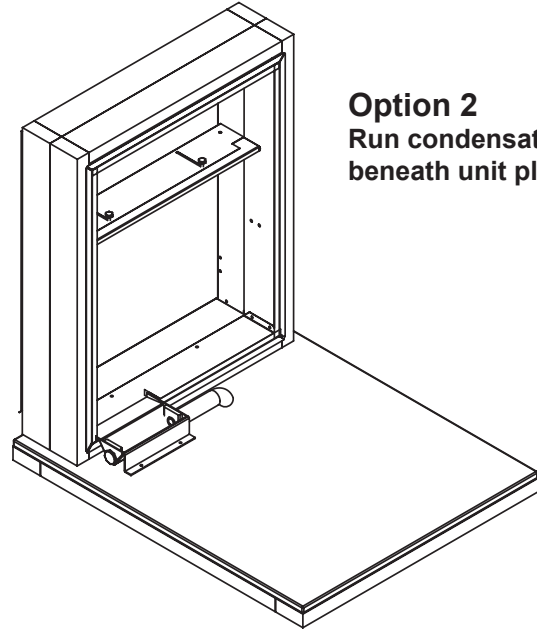
Figure 14

### STEP 5: INSTALL DRAIN LINE

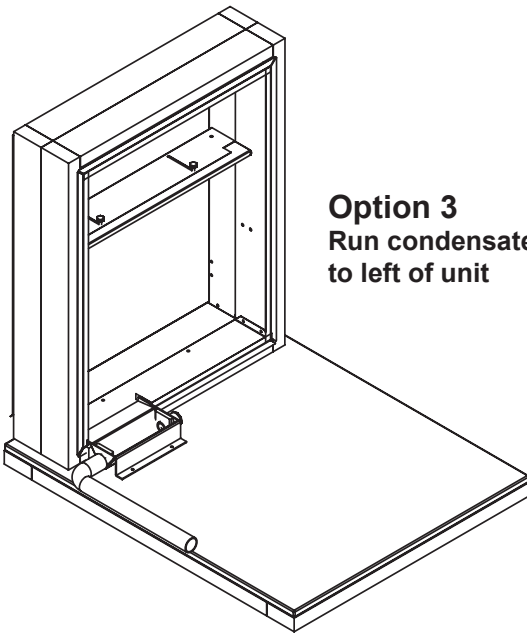
Condensate line routing options are shown below. Choose the one that best suits your installation. Never run the condensate line as shown in Option 4 below, as the drain line will come into contact with the factory-installed isolators beneath the unit.



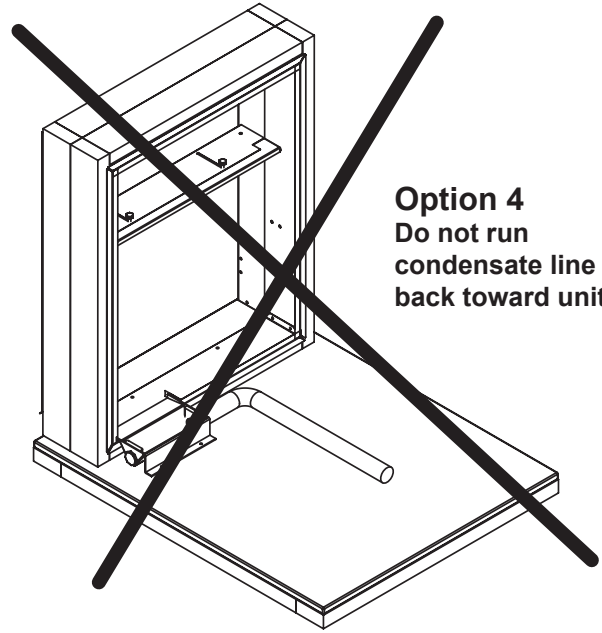
**Option 1**  
Run condensate line  
to right of unit



**Option 2**  
Run condensate line  
beneath unit platform



**Option 3**  
Run condensate line  
to left of unit



**Option 4**  
Do not run  
condensate line  
back toward unit


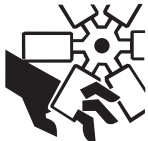
**IMPORTANT:** The drain pan and line must be kept free from debris. Prior to installing the chassis ensure that there are no blockages in the drain pan or line.

## Condensate Disposal System

The Condensate Disposal System increases energy efficiency utilizing a factory installed fan that slings the cold condensate onto the hot outdoor coil.

When high outdoor humidity prevents the slinger from disposing of all the condensate, the excess condensate overflow into the condensate drain pan and out of the 3/4" internal drain connection.

**NOTE:** If the Condensate Disposal System fails to remove all of the condensate from unit, any excess condensate will overflow from a spillway in the rear of the unit directly into the wall plenum, and drain outside the building, This is your indication that the chassis or drain requires servicing.

 <b>WARNING</b>	
	<b>Moving parts hazard</b>
	Turn off electric power before servicing this component.
	Fan can start automatically. Failure to do so can result in property damage, personal injury and/or death.

## Indoor Return Air Grille Installation

There are two indoor Return Air Grille operations as shown in Figure 15. Choose the option that best suits your needs. Use the installation instructions provided with accessories for installation details.

**Figure 15**

### Return Air Grille Options

**NOTE:** All Vert-I-Pak chassis are shipped with a 20" x 14" filter installed. If an accessory filter holder is to be used. You **MUST** remove the factory shipped filter from the chassis. Do **NOT** use two filters.

#### Option 1

##### VPRG4 Return Air Grille with Access Panel

A field-supplied (25" x 20") filter is mounted inside the hinged access door.

Kit contains hinge bracket for mounting the door with the return air opening high or low on the door for optimal sound attenuation.

For 24,000 /Btus models, it is recommended to install the hinge on the left side with the return air openings low on the door.



#### Option 2

##### Field Supplied Return Grille

Must have a minimum of 250 square inches of free area.



#### NOTES:

These are the Friedrich recommended return air grille filter/access panel arrangements. Consult Friedrich Air Conditioning on other arrangements. Improper return air arrangements will cause performance problems.

Return air arrangements are shown from the front, but can also be installed from the right or left side of the unit.

## Ductwork

The supply duct system should be designed via a recognized method such as the equal friction method, or velocity reduction method, using the appropriate duct calculator(s) for the type(s) of duct (i.e. metal duct, duct board, or flex duct) being used in the system. The duct system should be designed for a maximum friction rate of .40" water column taking into consideration all fittings, registers and/or diffusers. **DO NOT operate unit without a supply duct attached.**

The return air to Vert-I-Pak "A" series units **MUST NOT** be ducted, and all units **MUST** have a free return air configuration to perform properly.

## Indoor Air Flow Data

Indoor air flow may be determined by measuring the external static pressure (ESP) of the duct system using an inclined manometer or magnehelic gauge, then consulting chart "A" to determine actual air flow. Rated air flow for each unit is obtained at .10" water column when operating with a clean filter and a dry coil (i.e. heating) on the indicated speed at 230 Volts. Use the air flow correction multipliers contained in chart "B" to determine accurate air flow under the listed conditions. Under no circumstances should the Vert-I-Pak equipment be operated at an external static pressure in excess of .40" water column. Operation of the Vert-I-Pak under these conditions will result in inadequate air flow leading to poor performance and/or premature component failure.

For **LOW** speed operation, connect the fan output terminal from the thermostat to the GL terminal of the electronic control. For **HIGH** speed operation, connect the fan output terminal from the thermostat to the GH terminal of the electronic control. For thermostats with two-speed fan capabilities, connect the **LOW** speed output to the GL terminal, and the **HIGH** speed output to the GH terminal. (See Figure 18, page 16)

ESP (")	Model	
	Low	High
	VEA24/VHA24	
.00"	690	740
.10"	610	700
.20"	560	640
.30"	510	580
.40"	450	520

Highlighted values indicate rated performance point.

For single speed thermostats connect to the GL terminal for Low speed or GH terminal for High speed. Two speed control thermostats will use both.

## Chassis Installation

**NOTE:** Prior to installing the chassis, ensure that the drain pan and line are free from debris.

- Ensure that the wall plenum is installed in accordance with the VPAWP1-8/1-14 Installation Manual.
- Ensure that the VPDP1 drain pan is installed correctly (see Figure 16). Using the 3/4" plugs supplied with the pan, plug the unused condensate drain hole. Connect a drain to the condensate exit location. Be sure to use teflon tape or approved pipe sealant on all drain connections and plugs (see Figure 16).
- Place the chassis into the closet with the outdoor side facing the wall plenum opening.

- Slide the chassis into the wall plenum until the plenum divider seal is established and the factory-installed chassis to plenum gasket has sealed to the top flange of the plenum. (See Figure 16)

**CAUTION**




**Excessive Weight Hazard**

Use two or more people when installing your air conditioner.

Failure to do so can result in back or other injury.

**CAUTION**



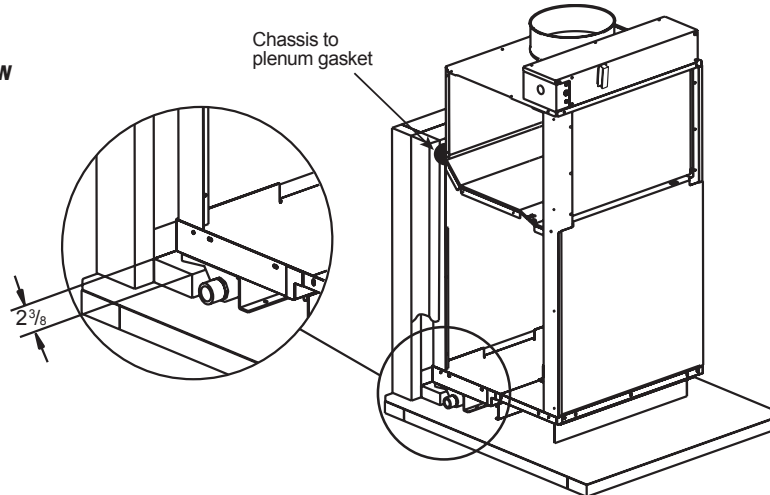
**Cut/Sever Hazard**

Some edges may be sharp, use gloves or other hand protection when handling unit.

Failure to do so can result in minor to moderate personal injury.

**Figure 16**

### Chassis Installation / Installed View



The Vert-I-Pak chassis must be inserted into the wall plenum so that the plenum divider gasket makes contact with the condenser baffle in the unit. The chassis will fit approximately 2 3/8" into the wall plenum.

**NOTE:** Prior to installing the chassis, ensure that the drain pan and line are free from debris.



# Remote Thermostat and Low Voltage Control Connections

## Remote Thermostat

All Friedrich Vert-I-Pak units are factory configured to be controlled by using a single stage heat/cool remote wall mounted thermostat.

The thermostat may be auto or manual changeover as long as the control configuration matches that of the Vert-I-Pak unit.

### To connect the wall-mounted thermostat:

- 1) Pull the disconnect switch.
- 2) Unscrew and remove the control box panel.
- 3) After selecting which side you want to run your thermostat wire through, run the wires through the side hole in the box to reach the connection terminal for the wiring.
- 4) Make the wire connections, appropriately matching the wires as shown in the wiring diagram.
- 5) Once each wire is matched and connected, the unit is now ready for operation.
- 6) Reattach the control box cover.

## Desk Control Terminals

The Friedrich VERT-I-PAK has built-in provisions for connection to an external switch to control power to the unit.

The switch can be a central desk control system or even a normally open door switch.

For desk control operation, connect one side of the switch to the D1 terminal and the other to the D2 terminal (See figure 17). Whenever the switch closes, the unit operation will stop.


**NOTE:** The desk control system and switches must be field supplied.


### Maximum Wire Length for Desk Control Switch

Wire Size	Maximum Length
#24	400 ft.
#22	600 ft.
#20	900 ft.
#18	1500 ft.
#16	2000 ft.

## Thermostat Connections

- R = 24V Power from Unit
- Y = Call for Cooling
- W = Call for Heating
- B = Reversing Valve Energized in heating mode
- GL = Call for Fan (Low Speed)
- GH = Call for Fan (High Speed)
- C = Common Ground


WARNING



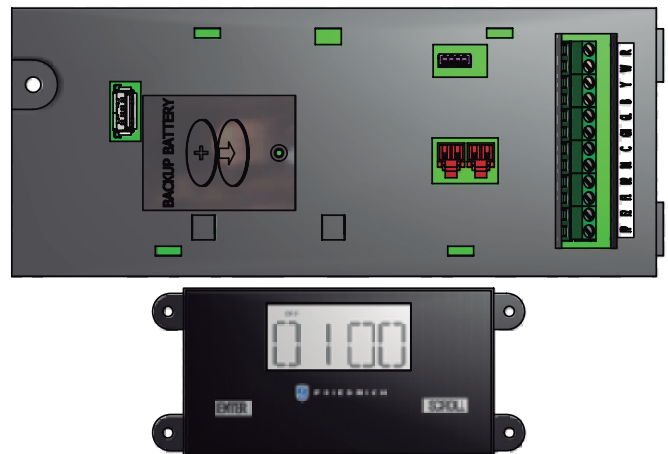
**Electrical shock hazard.**

Improper connection of the thermostat control wiring and/or tampering with the unit's internal wiring can void the equipment warranty and can result in property damage, personal injury and/or death.

Other manufacturer's units and even older Friedrich models may have different control wiring connections. Questions concerning proper connections to the unit should be directed to the factory.

## Control Board

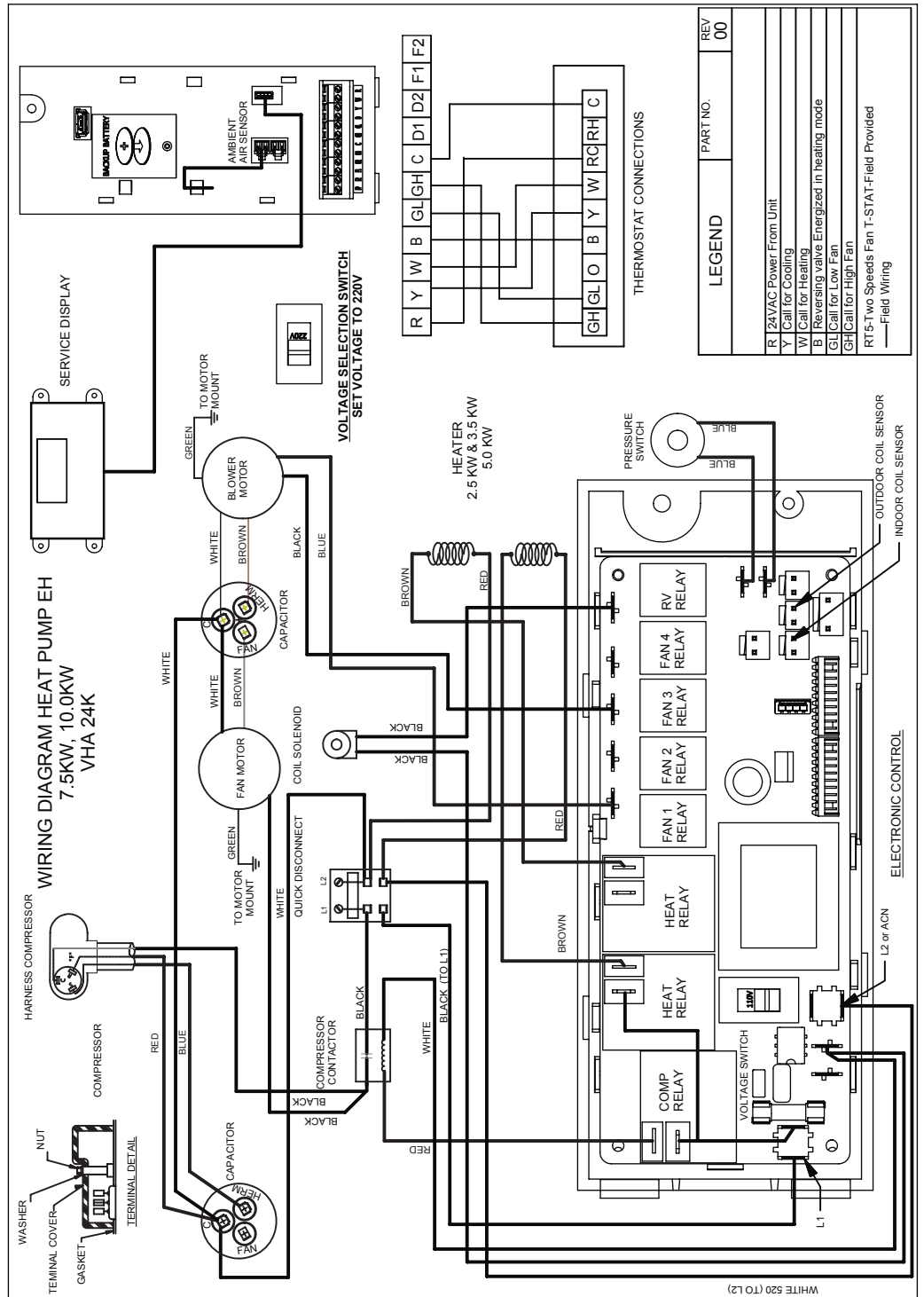
Figure 17



**Figure 18**  
**RT5 Electrical & Thermostat Wiring Diagrams**



RT6  
 THERMOSTAT  
 (FRONT)





**NOTE:** THE DIAGRAM ABOVE, ILLUSTRATES THE TYPICAL THERMOSTAT WIRING FOR TWO SPEED FAN OPERATION. SEE THE UNIT CONTROL PANEL FOR THE ACTUAL UNIT WIRING DIAGRAM AND SCHEMATIC.

## Chassis Final Connections

**With the chassis in place, you are now ready to begin chassis connections:**

- A. Move the thermostat switches to "OFF" and "AUTO". This will keep the thermostat from cycling the chassis until final connections are complete.
- B. Connect the duct work onto the 10" collar. Plastic wire ties (field supplied) are suggested to secure the duct work in place. Use 2 wire ties, one for each inner and outer flex duct sleeve.
- C. Review the Final Installation Checklist before replacing the power quick disconnect, reconnecting power to the chassis, or operating the chassis.

 <b>WARNING</b>	
	<b>Electrical shock hazard.</b>
	Pull out electrical disconnect on front of the chassis and turn off all power to the unit before servicing. Failure to do so can result in property damage, personal injury and/or death.

## Final Inspection & Start-up Checklist

- Inspect and ensure that all components and accessories have been installed properly and that they have not been damaged during the installation process.
- Ensure that all installation instructions concerning clearances around the unit have been adhered to.
- Check to ensure that the unit air filter, indoor coil, and outdoor coil are free from any obstructions.
- Ensure that the circuit breaker(s) or fuse(s) and supply circuit wire size have been sized correctly.
- Check the condensate water drain(s) to ensure that they are adequate for the removal of condensate water, and that they meet approval of the end user.
- Ensure that the entire installation is in compliance with all applicable national and local codes and ordinances having jurisdiction.
- Secure all access panels (i.e. front cover and/or control box), apply power to the unit, then start the unit, and check for proper operation in each mode. Instruct the owner or operator regarding the unit's operation, and the recommended routine maintenance schedule.

**NOTE:** Maintaining a log for recording the dates of maintenance and/or service is recommended, and should be suggested to the owner or operator of the equipment.

Present the owner or operator of the equipment with the Installation & Operation Manual, all accessory installation instructions, and the name, address and telephone number of the Authorized Friedrich Warranty Service Company in the area for future reference if necessary.

## Chassis Operation

### Fresh Air Door

The Fresh Air Door is an "intake" system. The fresh air door is opened via a slide on the front of the chassis located just above the indoor coil. Move the slide left to open and right to close the fresh air door. The system is capable of up to 80 CFM of fresh air @ ~.3" H2O Internal static pressure.

### Low Ambient Compressor Cut Out

Each chassis is equipped with low ambient protection in the form of a thermistor, which will prevent compressor operation at low suction temperature.



### Room Freeze Protection

This feature will monitor the indoor room conditions and in the event that the room falls below 40° F the unit will cycle on high fan with the electric heater. This occurs regardless of mode.

# Service & Warranty

## Servicing / Chassis Quick Changeouts

The chassis is designed for quick disconnect and change out. For minor electrical service, the control box cover lifts straight up after the screws & disconnect head are removed. For major electrical, refrigeration and fan service the chassis may be removed from utility closet.

 <b>WARNING</b>	
	<b>Electrical shock hazard.</b> Pull out electrical disconnect on front of the chassis and turn off all power to unit before servicing.
	Failure to do so can result in property damage, personal injury and/or death.

## Routine Maintenance

### Performing Routine Maintenance

With the proper maintenance and care, your system will operate economically and dependably. Maintenance can be accomplished easily by referring to the following directions. However, before performing any maintenance, see above stated WARNING.

 <b>CAUTION</b>	
	<b>Cut/Sever Hazard</b> Some edges may be sharp, use gloves or other hand protection when handling unit.
	Failure to do so can result in minor to moderate personal injury.

### Replace Air Filter

A dirty air filter reduces the efficiency of your Vert-I-Pak and allows lint and dirt to accumulate on the indoor-air coil. Lint and dirt on the indoor-air coil can damage your unit.

The air filter should be replaced as it becomes dirty. To replace the filter (chassis mounted return air filter):

1. Slide the filter clear of the filter rails.
2. Remove the filter.
3. Install new disposable filter.

**NOTE:** Do not operate your system without a filter in place or block the front of the unit return air opening.

### To Remove the Chassis from the Closet:

- A. Switch the wall Thermostat off.
- B. Pull the Power Disconnect located in the front of the chassis.
- C. Disconnect the power coming into the unit from the main breaker panel or the closet mounted disconnect.
- D. Disconnect the electrical connection.
- E. Disconnect the duct work.
- F. Slide the chassis out of the wall plenum.
- G. Lift the chassis out of the utility closet.

### Inspect and Clean Indoor-air Coil

Eventually, minor amounts of lint and dirt may pass through the filter and collect on the indoor-air coil. These minor accumulations can be carefully vacuumed away with a brush attachment on a vacuum cleaner. Care must be taken to avoid bending the aluminum fins on the coil. Bent fins should be straightened using a special fin tool available from most HVAC supply depots.

### Inspect Outdoor-Air (OA) Intake and Exhaust

The unit's outdoor-air intake and outdoor-air exhaust paths must remain clear. Check the OA exhaust frequently. Keep it free of all debris, snow, or ice. The OA intake should also be kept free of obstructions. Blocking the OA exhaust or OA intake opening will reduce the efficiency of your unit and could damage it.

### Inspect and Clean Condensate Drain

The condensate drain must be routed to a suitable drainage area. Check the unit condensate drain periodically. Keep it free of anything that may block or impede the flow of condensate water. If there is any accumulation of foreign matter in the drain pipe, it should be removed and cleaned. The entire drain line must be protected from freezing.

## Warranty

All warranty service work must be done by an authorized servicer. See Product Warranty, and consult your dealer or contractor for details.

## Electronic Control Error Code

## Diagnostic and Test Mode

### Error Code Diagnostics

The VPAK electronic control continuously monitors the Vert-I-Pak unit operation and will store error codes if certain conditions are witnessed. In some cases the unit may take action and shut the unit off until conditions are corrected.

To access the error code menu press the **'ENTER'** button. If error codes are present they will be displayed. If multiple codes exist you can toggle between error codes using the **'SCROLL'** button. To clear all codes press the **'ENTER'** and **'SCROLL'** buttons for three seconds while in the error code mode. To exit without losing codes press the **'LOW FAN'** button.

# Error Codes and Alarm Status

## Unit Control Panel

The display shown below has four digits. The left two digits indicate the error code ( 1 to 24 ), The On/Off icons above these two digits indicate the currents state of the error code. The right two digits show the history count (up to 99) of the associated error code. The display contains a maintenance icon (wrench) that will illuminate to indicate when the unit needs maintenance.



### Check Error Codes

1. Press the Enter key to activate the display.
2. Each press of the scroll key display the next error code.

### Clear History Counters








1. Press & hold the Enter key and the Scroll Key for ~ 6 seconds

The chart below lists the possible error codes and their description:

Error Code	Problem	Action
1	Front Panel Button Stuck For More Than 20 Seconds	Continue to monitor for "OPEN" (Unstuck) switch. Do not process switch input.
2	Input Voltage Out of Specification (103 - 127 / 187 - 253)	Unit stops, open all relays until voltage is back within specs then resume operation.
3	Indoor Temperature Sensor is Open or Shorted	Unit defaults to 75°F in COOLING or 68°F in HEATING and will continue to operate.
4	Indoor Coil Temperature Sensor is Open or Shorted	The unit's control board defaults 40°F. It will override the sensor and the unit will continue to operate.
5	Outdoor Coil Temperature Sensor is Open or Shorted	The unit defaults to 20°F, overriding the sensor. The unit will continue to operate. Using Elec Heat if available for HEATING. If not available, it will use HEAT PUMP if the outdoor temperature allows.
6	Outdoor Coil > (grater than) 175 F	The unit will shut down for 5 minutes. resume operation for 3 minutes. If test fails 3 times, the severity is increased and the unit operation is locked out.
7	Indoor Coil < (less than) 30 F for 2 consecutive minutes	The compressor will turn off and the High Fan speed will run. When coil temp reaches 45°F the unit will resume operation after lockout time.
8	Unit Cycles > (greater than) 9 Times per hour	The unit will continue to operate and be monitored.
9	Unit Cycles < (less than) 3 Times per Hour	The unit will continue to operate and be monitored.
10	Room Freeze Protection	Only use if Electric Heat is available. Run High Speed and Electric Heat until room temp reaches 46°F. The unit will display "FRZ" during operation. Logged Only
11	WallStat Problem or Connection Issue	The unit will not operate.
12	Not Applicable	Not Applicable
13	High Pressure Limit Switch is Open	If unit is cooling or heat pump is on, shut down compressor. Run high fan until switch closes, then resume operation. The third occurrence in 1 hour locks unit out. Applicable to 24K unit only.
14	Not Applicable	Not Applicable
15	Heat Pump Error	If indoor coil temperature is less than ambient temperature for 3 minutes the unit will use electric heat to satisfy the heating demand.
16	Temperature Beyond Operating Limits	Occurs if the ambient temperature range falls below 0°F or greater than 130°F. The error code will remain on until the temperature reaches the operating range and then the unit will return to normal operation.
17	Equipment Doesn't Meet Minimum Configuration	The compressor must be enabled and have at least 2 fan speeds
18	Not Applicable	Not Applicable
19	Not Applicable	Not Applicable
20	Not Applicable	Not Applicable
21	Not Applicable	Not Applicable
22	Outdoor Coil Temperature < 30 F for 2 consecutive Minutes	Unit will use electric heat to satisfy heating demands until the temperature equals or exceeds 45°F. Applicable for Heat Pump models only.
23	Frost Protection	Unit will run active defrost for a minimum of 6 minutes when Heat Pump run time is greater than 60 minutes and outdoor coil temperature is 26 F or less.
24	Not Applicable	Not Applicable



## Accessories

MODEL	DESCRIPTION	PHOTO
VPAWP1-8	<b>WALL PLENUM</b> Two-part sleeve that telescopes in and out from 5 ½" to 8" in depth. The wall plenum sits inside the exterior wall penetration. DIMENSIONS: 30 3/8" high x 24 1/8" wide. COUTOUT DIMENSIONS: 30 7/8" high x 24 5/8" wide.	
VPAWP1-14	Same as VPAWP1-8, but telescopes 8" to 14" as required.	
VPAL2	<b>ARCHITECTURAL LOUVER</b> Extruded aluminum louver that attaches to the outdoor section of the wall plenum. DIMENSIONS: 31 1/16 " high x 25 9/16" wide.	
VPSC2	Same as VPAL2 but can be ordered in a special color to match the exterior wall.	
RT6	<b>DIGITAL REMOTE WALL THERMOSTAT</b> Single stage thermostat, used on VERT-I-PAK units. Hard wired single speed fan. Direct replacement for RT2.	  
WRT1	<b>DIGITAL THERMOSTAT</b> Wireless, single stage, wallmounted thermostat with two fan speeds. Features backlit display and multiple configuration modes.	
	<b>FRIEDRICHLINK® ENERGY MANAGEMENT THERMOSTAT</b> Integrated oc-occupancy sensor uses a combination of motion and thermal sensing technologies for accurate occupancy detection. Reliable occupancy detection allows saving energy when rooms are occupied. Energy saving presets eliminate the gesswork and make it easy to adjust the energy saving settings.	
EMWRT1	Wireless thermostat with occupancy sensor.	
EMRT1	Wired thermostat with occupancy sensor.	
VPRG4	<b>ACCESS PANEL / RETURN AIR GRILLE</b> – Serves as an access panel to chassis and interior return air grille. A field-supplied (25" x 20") filter is mounted inside the hinged access door. Kit contains hinge bracket for mounting the door with the return air openings high or low on the door for optimal sound attenuation. For 9,000 / 12,000 / 18,000 Btu models, it is recommended to install the door with the hinge on the right side and the return air openings high on the door. For 24,000 Btu models, it is recommended to install the hinge on the left side with the return air openings low on the door. DIMENSIONS: 58" high x 29" wide. COUTOUT DIMENSIONS: 55 3/4" high x 27" wide.	
VPDP1	<b>DRAIN PAN</b> Drain pan may be installed prior to chassis for easy installation/removal.	



Friedrich Air Conditioning Company

10001 Reunion Place, Suite 500  
San Antonio, TX 78216  
1-800-541-6645  
www.friedrich.com

## VERT-I-PAK<sup>®</sup> A SERIES SINGLE PACKAGE VERTICAL AIR CONDITIONERS LIMITED WARRANTY

**SAVE THIS CERTIFICATE.** It gives you specific rights, you may also have other rights which may vary from state to state and province to province.

In the event that your unit needs servicing, contact your nearest authorized service center. If you do not know the nearest service center, ask the company that installed your unit or contact us - see address and telephone number above. To obtain service and/or warranty parts replacement, you must notify an authorized FRIEDRICH Air Conditioning Co. service center, distributor, dealer, or contractor of any defect within the applicable warranty period.

**When requesting service:** please have the model and serial number from your unit readily available.

**Unless specified otherwise herein,** the following applies:

### FRIEDRICH VERT-I-PAK A SERIES VERTICAL AIR CONDITIONERS AND HEAT PUMPS

**LIMITED WARRANTY - FIRST YEAR (Twelve (12) months from the date of installation).** Any part found to be defective in the material or workmanship will be repaired or replaced free of charge by our authorized service center during the normal working hours; and

**LIMITED WARRANTY - SECOND THROUGH FIFTH YEAR (Sixty (60) months from the date of installation), ON THE SEALED REFRIGERATION SYSTEM.** Any part of the sealed refrigeration system that is defective in material or workmanship will be repaired or replaced free of charge (excluding freight charges) by our authorized service center during normal working hours. The sealed refrigeration system consists of the compressor, metering device, evaporator, condenser, reversing valve, check valve, and the interconnecting tubing.

**These warranties apply only while the unit remains at the original site and only to units installed inside the continental United States, Alaska, Hawaii, Puerto Rico, Mexico and Canada. The warranty applies only if the unit is installed and operated in accordance with the printed instructions and in compliance with applicable local installation and building codes and good trade practices. For international warranty information, contact the Friedrich Air Conditioning Company - International Division.**

Any defective part to be replaced must be made available to **FRIEDRICH** in exchange for the replacement part. Reasonable proof must be presented to establish the date of install, otherwise the beginning date of this certificate will be considered to be our shipment date plus sixty days. Replacement parts can be new or remanufactured. Replacement parts and labor are only warranted for any unused portion of the unit's warranty.

We will not be responsible for and the user will pay for:

1. Service calls to:
  - A) Instruct on unit operation. B) Replace house fuses or correct house wiring. C) Clean or replace air filters. D) Remove the unit from its installed location when not accessible for service required. E) Correct improper installations.
2. Parts or labor provided by anyone other than an authorized service center.
3. Damage caused by:
  - A) Accident, abuse, negligence, misuse, riot, fire, flood, or acts of God. B) Operating the unit where there is a corrosive atmosphere containing chlorine, fluorine, or any damaging chemicals (other than in a normal residential environment). C) Unauthorized alteration or repair of the unit, which in turn affects its stability or performance. D) Failing to provide proper maintenance and service. E) Using an incorrect power source. F) Faulty installation or application of the unit.

**We shall not be liable for any incidental, consequential, or special damages or expenses in connection with any use or failure of this unit. We have not made and do not make any representation or warranty of fitness for a particular use or purpose and there is no implied condition of fitness for a particular use or purpose. We make no expressed warranties except as stated in this certificate. No one is authorized to change this certificate or to create for us any other obligation or liability in connection with this unit. Any implied warranties shall last for one year after the original purchase date.** Some states and provinces do not allow limitations on how long an implied warranty or condition lasts, so the above limitations or exclusions may not apply to you. The provisions of this warranty are in addition to and not a modification of or subtraction from the statutory warranties and other rights and remedies provided by law.

**Performance of Friedrich's Warranty obligation is limited to one of the following methods:**

1. Repair of the unit
2. A refund to the customer for the prorated value of the unit based upon the remaining warranty period of the unit.
3. Providing a replacement unit of equal value

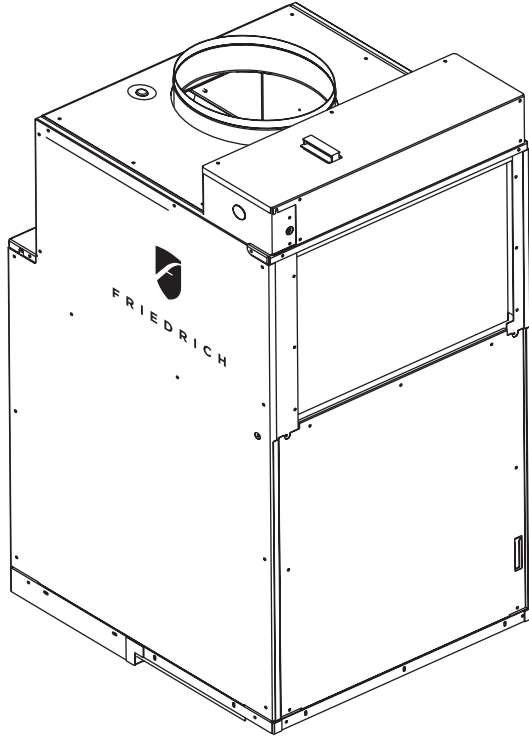
**The method of fulfillment of the warranty obligation is at the sole discretion of Friedrich Air Conditioning**

**In case of any questions regarding the provisions of this warranty, the English version will govern.**



## VERT-I-PAK® Serie-A

Unidad Vertical de Aire Acondicionado Tipo Paquete  
24,000 Btu/hr



NOTA: Este manual solo aplica a modelos 24,000 Btu/hr  
Para modelos 9,000-18,000 Btu/hr utilice el manual 959-910-01\_03.



---

# Contenido

## Información General

Instrucciones Generales .....	24
Avisos .....	24
Tu seguridad y la de los otros.....	24

## Especificaciones Generales

Guía de identificación del Número de modelo.....	25
Especificaciones del Chasis.....	25
Datos Eléctricos.....	26
Requisitos Eléctricos.....	27
Tabla de Clasificación Eléctrica.....	27

## Recomendaciones de Instalación..... 28

### Instalación

Dimensiones del closet de utilidad.....	29
Plenum de pared & Instalación de louver arquitectónico.....	30
Instalación de bandeja de drenaje.....	34
Sistema de eliminación de condensación.....	37
Instalación de rejilla interior de aire de retorno.....	37
Conducto .....	37
Instalación de Chasis .....	38

### Operación de Termostato Remoto

Termostato remoto.....	39
Terminales del Tablero de Control.....	39
Conexiones de termostato.....	39
Control de Abanico Auxiliar.....	39
Ilustraciones de cableado y termostato Friedrich .....	40

### Conexión final del Chasis

Checklist de instalación final.....	41
-------------------------------------	----

### Operación de Chasis

Puerta de Aire fresco.....	41
Bloqueo de compresor de ambiente bajo .....	41
Protección de la congelación de habitación .....	41
Operación de calor de emergencia.....	41

### Servicio

Servicio/Cambios rápidos de Servicio/Chasis.....	42
Rutina de Mantenimiento.....	42
Diagnósticos de código de error de control electrónico y de modo de prueba.....	42
Códigos de error .....	43

Accesorios.....	44
-----------------	----

<b>Garantía</b> .....	45
-----------------------	----

# Felicidades!

Gracias por su decisión de comprar un Friedrich Vert-I-Pak Air Conditioner (VPAK). Su nuevo Friedrich ha sido cuidadosamente diseñado y fabricado para darle larga vida de uso, operación eficiente, manteniendo una temperatura y un nivel de humedad cómodo. Muchas características de su unidad han sido creadas para asegurar la máxima operación silenciosa.

## Instrucciones generales

Este manual de instalación y operación ha sido diseñado para asegurar la máxima satisfacción de su unidad. Por favor siga las instrucciones de instalación cuidadosamente para adquirir años de servicio libres de conflictos. No podemos subestimar la importancia de una correcta instalación. Hemos agregado información actualizada a las instrucciones básicas para ayudarle a lograr una instalación exitosa.

### Algunas sugerencias para usar su nuevo Friedrich eficientemente:

1. Lea y siga cuidadosamente las instrucciones de instalación
2. Limpie el filtro con frecuencia (vea el mantenimiento rutinario, pag. 41).
3. No obstruya el flujo de aire hacia y desde la unidad.
4. Un filtro sucio ó controles mal establecidos pueden afectar la capacidad y el rendimiento general de la unidad para enfriar.
5. Si el enfriamiento es débil y haya comprobado que el filtro esta limpio y los controles están ajustados correctamente, la unidad puede necesitar servicio y debe llamar a su proveedor de servicios de Friedrich, para inspeccionar la unidad.
6. Mantenga las persianas y las cortinas cerradas en la parte soleada de la habitación que se enfriará para reducir el calor provocados por los rayos del sol para un rendimiento óptimo.
7. Un aislamiento apropiado ayuda a su unidad a mantener la temperatura deseada en el interior.

### AVISO

Por favor lea este manual detenidamente antes de instalar ó operar el equipo.

Es responsabilidad del instalador aplicar e instalar correctamente el equipo. La instalación debe estar con conformidad con la NFPA 70-2008 National Electric Code ó de la edición actual, International Mechanic-Code 2009 ó de la edición actual, y cualquier código local ó nacional.

El no hacerlo puede dar resultado a daños a su propiedad, heridas personales ó muerte

### AVISO

#### Sistema de refrigeración bajo alta presión.

No debe de perforar, calentar, exponer a llamas ó incinerar. Sólo técnicos certificados en refrigeración deben reparar este equipo.

Los sistemas R410A funcionan a presiones más altas que el equipo R22. Un mantenimiento apropiado y prácticas de manejo adecuadas deben utilizarse.

Solo use indicadores diseñados para trabajar con R410A.

No utilice indicadores estandar R22.

El no hacerlo puede dar resultado a daños a su propiedad, heridas personales ó muerte

### Tu seguridad y la de los demás es muy importante.

Hemos incluido muchos mensajes importantes de seguridad en este manual y en su aparato. Siempre lea y siga todos los mensajes de seguridad.

Este es un símbolo de alerta de seguridad

Este símbolo le advierte de los peligros potenciales que pueden matar ó herir a usted y a otros.

Todos los mensajes de seguridad acompañaran el símbolo de alerta de seguridad con las palabras

ADVERTENCIA" o "PRECAUCIÓN".

Estas palabras significan:

### ADVERTENCIAS

Indica un peligro que si no se evita, puede dar resultado a heridas graves ó muerte y daños al producto ó otros bienes.

### PRECAUCIÓN

Indica un peligro que si no se evita, puede dar resultado a heridas y daños al producto ó otros bienes.

Todos los mensajes de seguridad le dirá cual es el peligro potencial, cómo reducir el riesgo de heridas, y le dirá lo que sucederá

### NOTA

Indica daño a su propiedad puede ocurrir si las instrucciones no se siguen.

## Especificaciones Generales

### Guía de identificación del Número de modelo de Vert-I-Pak

NUMERO DE MODELO	V	E	A	24	K	34	RT	L
<b>SERIE</b> V = Serie Vertical								
E = Enfriamiento, con o sin calor eléctrico H = Bomba de calor								
<b>SERIE DISEÑO</b> A = 47" Gabinete								
<b>CAPACIDAD NOMINAL</b> (Btu/h) Serie A 24 = 24,000								
<b>VOLTAJE</b> K = 208/230V-1Ph-60Hz								
								<b>CÓDIGO DE INGENIERÍA</b>
								<b>OPCIONES</b> RT = Operación de remoto estándar
								<b>TAMAÑO DE CALENTADOR ELÉCTRICO</b> Serie A 25 = 2.5 KW 34 = 3.4 KW 50 = 5.0 KW 75 = 7.5 KW 100 = 10.0 KW Consulte la tabla de datos eléctricos para compatibilidad de calefacción/unidad.

### Especificaciones del Chasis del Vert-I-Pak

Voltaje (V)	230/208 /265
Refrigerante	R-410A
Ancho de Chasis	23.1/8"
Profundidad de Chasis	23.1/8"
Altura del Chasis **	47.1/4"
Collar de conducto de suministro	10"
Conexión de drenaje	3/4" FPT
CFM Interior	Vea la tabla en la página 14
Conducto Max. ESP	.4 en agua

\*\* Altura incluye collar de conducto de 2" y aisladores debajo de la unidad

\*\*\* El collar de fábrica acepta conducto flexible de 10"

## Datos Eléctricos

Datos Eléctricos										
	VEA24K					VHA24K				
Watts del Calefactor	2500/2050	3400/2780	5000/4090	7500/6135	10000/8180	2500/2050	3400/2780	5000/4090	7500/6135	10000/8180
Voltaje	230/208					230/208				
Energía del Calefactor (Amps)	10.9/9.9	14.8/13.4	21.7/19.7	32.6/29.5	43.5/39.3	10.9/9.9	14.8/13.4	21.7/19.7	32.6/29.5	43.5/39.3
Amperaje de Circuito Mínimo	17.2/15.9	22.1/20.3	30.7/28.1	44.3/40.3	57.9/52.7	17.2/15.9	22.1/20.3	30.7/28.1	44.3/40.3	57.9/52.7
Capacidad de Fusible(Amps)	25	25	30	45	60	25	25	30	45	60
LRA - Compresor (Amps)	34.8	34.8	34.8	34.8	34.8	34.8	34.8	34.8	34.8	34.8
Corriente de Enfriamiento(Amps)	10.0/10.4	10.0/10.4	10.0/10.4	10.0/10.4	10.0/10.4	10.6/10.9	10.6/10.9	10.6/10.9	10.6/10.9	10.6/10.9
Capacidad de Resistencia	2.5 kw	3.4 kw	5.0 kw	7.5 kw	10.0 kw	2.5 kw	3.4 kw	5.0 kw	7.5 kw	10.0 kw
Conexión de Alimentación	CABLEADO					CABLEADO				
Tamaños recomendados para el cable de energía del Circuito* AWG- American Wire Gauge	10	10	10	6	4	10	10	10	6	4

Circuito individual de la caja principal. Basada en cable de cobre de 100', conductor aislada individual a 60°C

**NOTA:** Solo use conductores de cobre. Los tamaños de cable son por NEC, consulte los códigos locales para aplicaciones en el extranjero.

Datos Eléctricos					
	VHA24R				
Watts del Calefactor	2500	3400	5000	7500	10000
Voltaje	265				
Energía del Calefactor (Amps)	12.2	15.6	19.8	29.2	38.6
Amperaje de Circuito Mínimo	8.1	8.1	8.1	8.1	8.1
Circuito de Corriente Mínima	20	20	24.8	36.5	48.3
Capacidad de Fusible (Amps)	25	25	30	40	50
LRA - Compresor (Amps)	46	46	46	46	46
Corriente de Enfriamiento(Amps)	9.7	9.7	9.7	9.7	9.7
Capacidad de Resistencia	2.5 kW	3.4 kW	5.0 kW	7.5 kW	10.0 kW
Conexión de Alimentación	Cableado				
Tamaños recomendados para el cable de energía del Circuito* AWG- American Wire Gauge	10	10	10	8	6

## Requisitos Eléctricos

<b>Tamaño del cable</b>	Use el tamaño de cable recomendado para un un circuito de derivación..
<b>Fusible/ Disyunto</b>	Use sólo el tipo y tamaño del fusible/disyuntor HACR indicado en la clasificación de la unidad. (Vea muestra debajo). Es la responsabilidad del dueño de tener la protección adecuada de corriente a la unidad
<b>Instalación de tierra</b>	La unidad se debe conectar a tierra desde el circuito de derivación a través de cable de servicio a la unidad, o por un cable de tierra que viene incluido en las unidades permanentemente conectadas. Asegúrese de que el circuito de derivación o el enchufe general este conectado a tierra.
<b>Dimensiones del cable</b>	Use el tamaño de cable recomendado en la tabla e instale un circuito de derivación. Todo el cableado debe cumplir con los códigos locales y nacionales. NOTA: Solo utilice conductores de cobre.

**NOTA:** Los tamaños de alambre son por NEC, consulte los códigos locales. Es la responsabilidad del instalador de asegurarse que los códigos se cumplen.

### Tablas de Clasificación Eléctrica

**NOTA:** Solo use conductores de cobre. Los tamaños de cable son por NEC, consulte los códigos locales para aplicaciones en el extranjero.


Recomendado tamaño del circuito de derivación *	
Tamaño máximo del disyuntor de la placa AWG	Tamaño del cable**
20A	12
30A	10
40A	8
55A	6
70A	4

AWG --- American Wire Gauge (calibre de cable Americano)

\* Circuito individual de la caja principal

\*\* Basada en cable de cobre de 100', conductor aislado individual a 60°C

## Placa de Muestra

<p>MODEL NO 1 SERIAL NO 7 FRIEDRICH AIR CONDITIONING CO. SAN ANTONIO, TEXAS</p> <p>VOLTS: 24 33.34 VOLTAGE RANGE: 255-197 REFRIG CHARGE: 7 OZS. R22 DESIGN PRESSURE: 575 PSIG HS / 150 PSIG LS COOLING: BTU/HR 8 SEER: 10 COP: 16 HEAT PUMP BTU/HR: 14 TOTAL COOLING AMPS: 9 TOTAL ELEC. HEAT AMPS: 15 ELECTRIC HEAT WATTS: 18</p> <p>FOR PERMANENTLY CONNECTED UNITS ONLY: COMP. PLA 11 LRA 12 MOTOR: FLA 13 HP 19 HEATER AMPS: 17 MIN. CKY AMP -0 USE -1 MAX. TIME DELAY OR HACR TYPE CIRCUIT BREAKER.</p> <p>GENERAL UNIT INFORMATION: MAX OUTLET AIR TEMPERATURE: 200°F MAX EXTERNAL STATIC PRESSURE: ELECTRIC HEAT: .5 IN. WATER "0" CLEARANCE TO COMBUSTIBLE MATERIAL</p> <p>USE ON SINGLE OUTLET CIRCUIT ONLY</p>	<p><b>WARNING</b></p> <p>ELECTRICAL SHOCK AND MOVING PARTS HAZARD CAN CAUSE INJURY OR DEATH.</p> <p>PULL CHORD CONNECT RELOCATED IN THE ROUTE. THIS UNIT TO DISABLE POWER BEFORE SERVICING.</p> <p>↓</p>	<p> LISTED 120524 HEATING AND COOLING EQUIPMENT</p> <p>APPLICABLE PATENTS: US 6,655,286</p> <p>ANY PARTS OF THE FOLLOWING ITEMS FROM EACH CATEGORY TO COMPLETE THE ASSEMBLY</p> <p>WALL PLENUM: VPWP1-8 VPWP1-14 OUTDOOR GRILLE VPAL2 INDOOR GRILLE VPRG1 VPRG2 VPRG5</p>
----------------------------------------------------------------------------------------------------------------------------------------------------------------------------------------------------------------------------------------------------------------------------------------------------------------------------------------------------------------------------------------------------------------------------------------------------------------------------------------------------------------------------------------------------------------------------------------------------------------------------------------------------------------------------------------------------------------------------------------------------------------------------------------------------------	----------------------------------------------------------------------------------------------------------------------------------------------------------------------------------------------------------	----------------------------------------------------------------------------------------------------------------------------------------------------------------------------------------------------------------------------------------------------------------------------------------------------------------------------------------------------------------------------------



## AVISO



### Peligro de choque eléctrico

Apaga la electricidad antes de instalar o servir.

La unidad se debe instalar a tierra apropiadamente.

La unidad debe tener la protección correcta del fusible o del disyuntor..

El circuito de suministro de la unidad debe de tener el tamaño correcto del conductor de cable.

Todas las conexiones eléctricas y cableado deben ser instalados por un electricista calificado y cumplir con el National Electrical Code y con todos los códigos locales que tienen jurisdicción.

El no hacerlo puede dar resultado a daños a su propiedad, heridas personales ó muerte.

**THINK  
SAFETY  
FIRST**

### ⚠ WARNING

Do not remove, disable or bypass this unit's safety devices. Doing so may cause, fire, injuries or death.

### ⚠ AVERTISSEMENT

Ne pas supprimer, désactiver ou contourner cette l'unité des dispositifs de sécurité. faire vous risqueriez de provoquer, le feu, les blessures ou la mort.

### ⚠ ADVERTENCIA

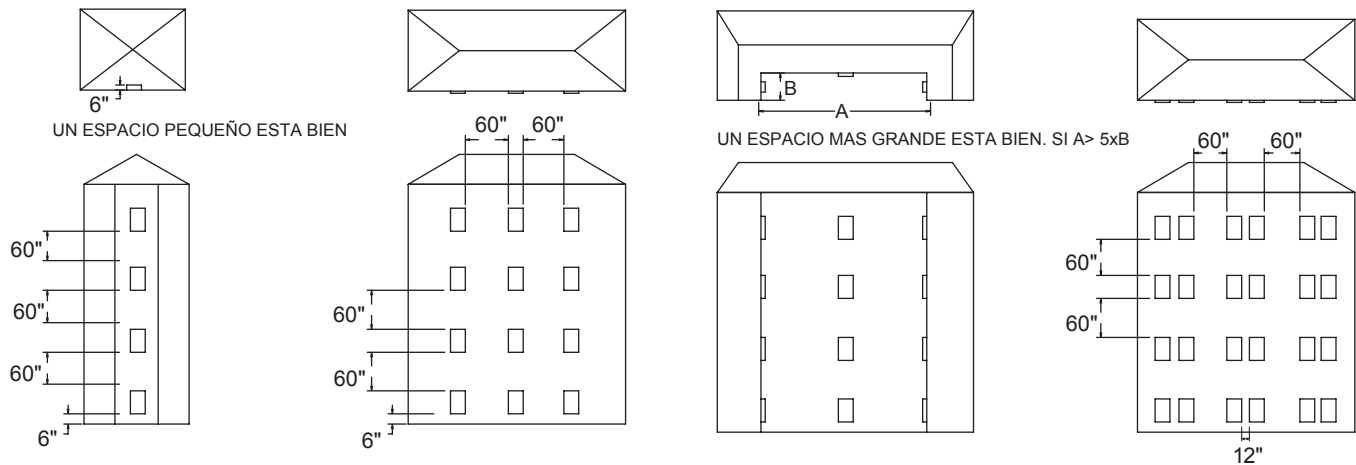
No eliminar, desactivar o pasar por alto los dispositivos de seguridad de la unidad. Si lo hace podría producirse fuego, lesiones o muerte.

# Recomendaciones de Instalación de Vert-I-Pak

Para obtener el uso apropiado y máxima funcionamiento de la unidad debe de leer las aprobaciones mínimas para la instalación :

**Figura 1**

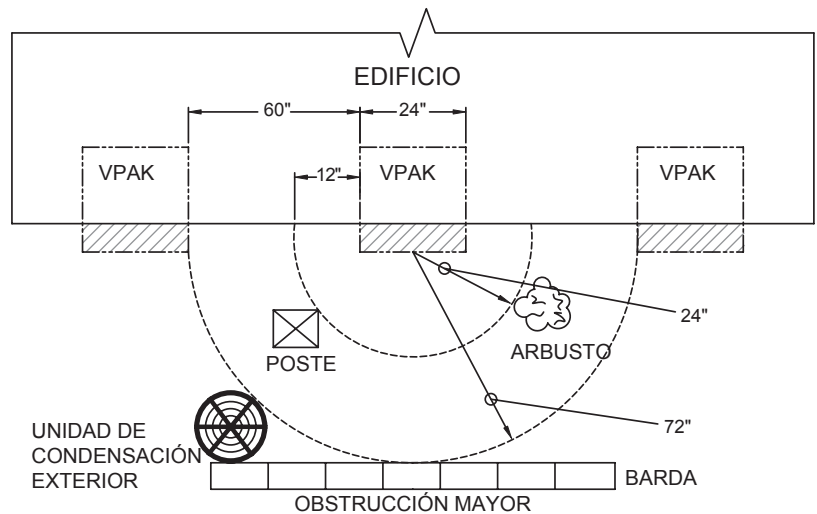
Las unidades VERT-I-PAK se deben instalar en una pared exterior. Se deben evitar áreas restringidas y/o cubiertas. Las unidades se deben instalar a no menos de 12" de separación, cuando dos unidades están lado a lado. Si tres o más unidades van a operar juntos, debe de permitir un mínimo de 60" entre las unidades. También, debe de mantener 60" de espacio vertical entre las unidades instaladas. Unidades instaladas en la planta baja se deben montar a lo menos 6" de el piso.



**Figura 2**

En cualquier momento que haya obstrucciones para el VERT-I-PAK, siga las siguientes directrices:

- En casos de obstrucción menores tales como postes de luz o arbustos pequeños, se debe mantener un espacio de 24" de la persiana exterior
- Para obstrucciones mayores, como una barda, una pared ú otros objetos que rechazan el calor como una unidad de condensación, se debe mantener una distancia mínima de 72".



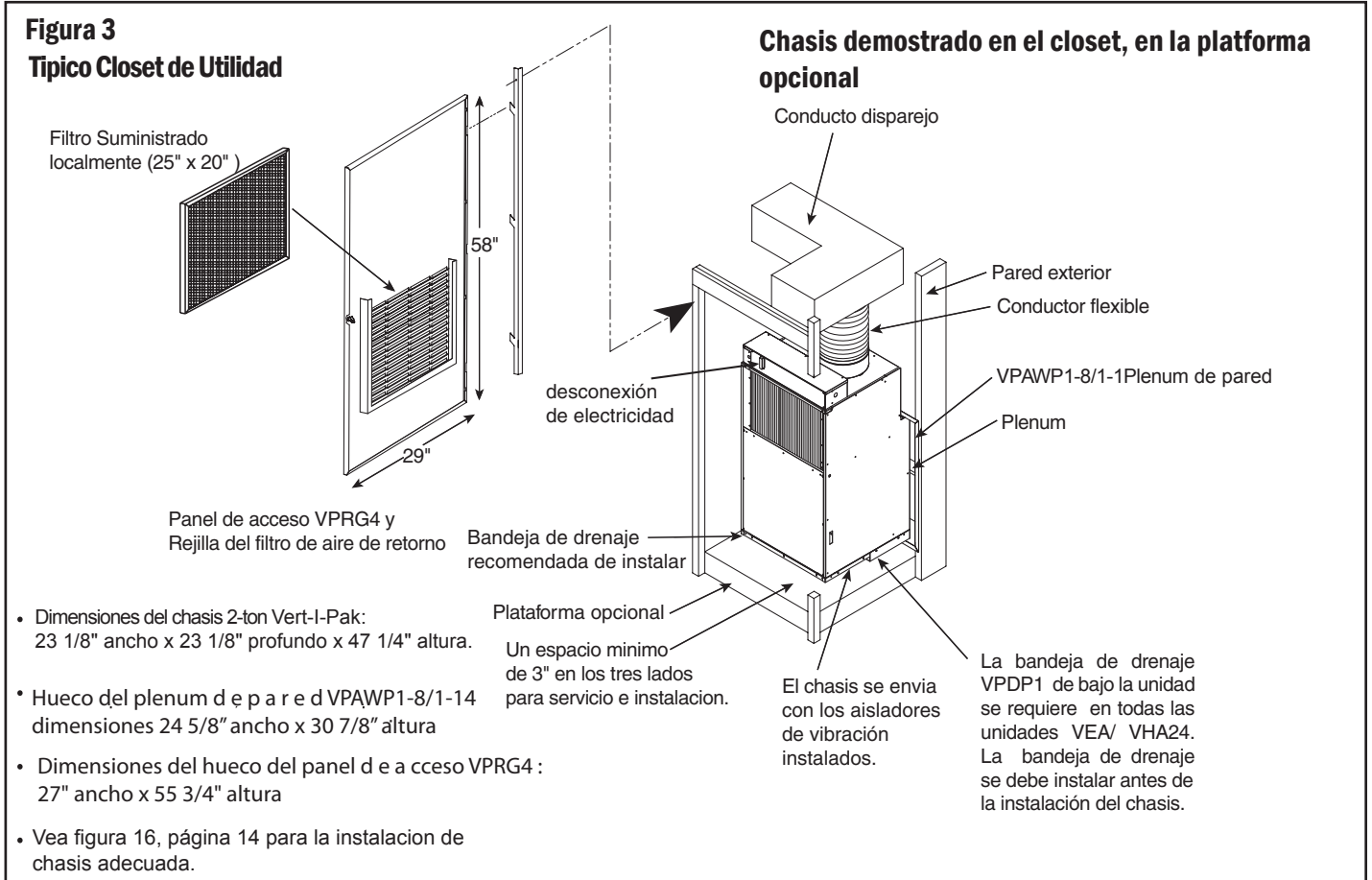
Las sugerencias anteriores sólo son de referencia y no representan todas las instalaciones posibles. Por favor póngase en contacto con Friedrich para obtener información sobre efectos en otras instalaciones.

Usted puede estar seguro de que su Friedrich Vert-I-Pack® funcionará por años libre de preocupaciones si sigue estas recomendaciones.

# Instalación

## Dimensiones del closet de utilidad

Las dimensiones y una instalación interior típica del closet de utilidad recomendadas están demostradas en la figura 3. Un espacio mínimo de 3" en los tres lados de la unidad se debe permitir para el flujo de aire de retorno, acceso de instalación y servicio, Vea figuras 3 y 4 para las dimensiones de referencia y los espacios libres.

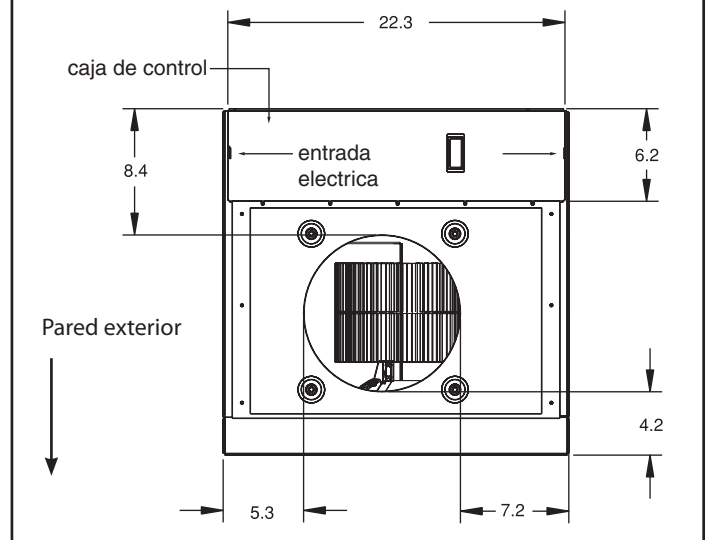


## NOTA

La bandeja de drenaje se debe de instalar en el closet antes de que se inserta el chasis al plenum. Vea figura 6, página 10 para detalles de la instalación de la bandeja de drenaje.

En no hacerlo puede resultar en daños de propiedad.

**Figura 4** **Vista de arriba**



## Instalación de plenum de pared y de persianas arquitectónicas

Sigue las instrucciones de instalación suministrados para instalar los componentes del plenum de pared.

**NOTA:** RECORDATORIO IMPORTANTE EL PLENUM DE PARED FRIEDRICH NO ESTA DISEÑADO PARA CARGAS ESTRUCTURALES. LA CONSTRUCCIÓN ADECUADA DEL BORDE DE LA PARED ES REQUERIDA. EL ENSAMBLADO DE PLENUM REQUIERE: TAPAJUNTAS, CALCE Y SELLADOR PARA UNA INSTALACIÓN RESISTENTE AL CLIMA.

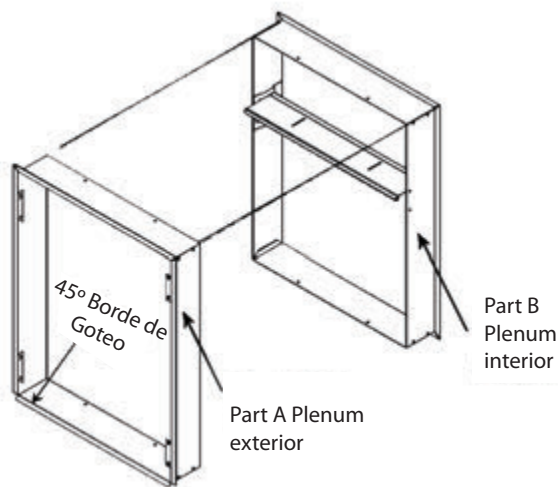
SU PLENUM DE PARED SÓLO FUNCIONARÁ SI HA SIDO INSTALADO CORRECTAMENTE. SIGA LA MUESTRA EN LAS ILUSTRACIONES PARA INSTALARLO CORRECTAMENTE. SIEMPRE SIGUE LOS CÓDIGOS LOCALES Y NACIONALES PARA LA INSTALACIÓN CORRECTA.

**Figura 5**

**Partes incluidas:**

Hay dos partes de un plenum de pared:

- A) 1-Ensamble exterior (Parte A)
- B) 1-Ensamble interior (Parte B)



**ORIENTACIÓN CORRECTA DE PARTE A**

- ADJUNCIÓN DE PERSIANAS CON LAS PESTAÑAS HACIA EL EDIFICIO LA REPISA DE GOTEO DE 45° ABAJO

**ORIENTACIÓN CORRECTA DE PARTE B**

- APERTURA GRANDE A LA PARTE DE ABAJO DE LA PESTAÑA DE 3/4" HACIA EL INTERIOR DEL EDIFICIO

**Figura 6**

**Partes incluidas:**

**Sellador, tornillos para ajuntar, y tapajuntas son incluidos.** Se recomienda sellador de silicona.

VPAWP1-8 se ajusta para paredes 5.5 - 8.0" de ancho.  
VPAWP1-14 se ajusta para paredes 8 - 14.0" de ancho.

Ambas instalaciones son parecidas



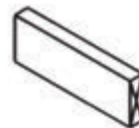
**Sellador**



**Tapajuntas**



**Calce**



**Materiales del borde / soporte de pared**



**1" -3" Tornillos para ajuntar el ensamblaje del plenum al soporte de la pared**



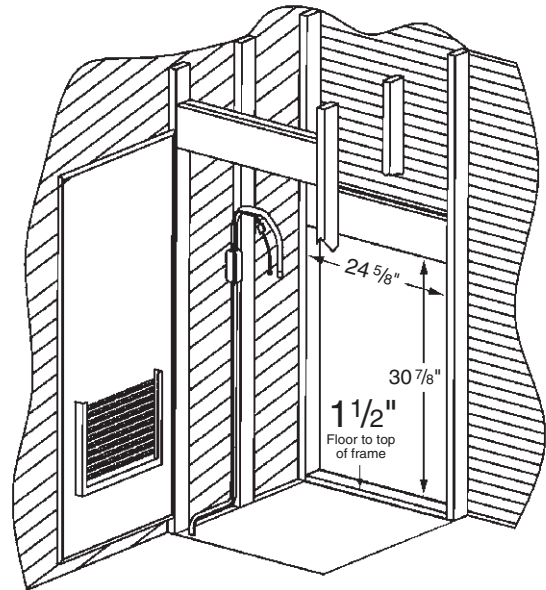
**Figura 7**  
**Mide y estructura la apertura del plenum de pared exterior**

**24000 BTU/h**

Las dimensiones del recorte de plenum son 24 5/8" de Ancho x 30 7/8" de altura. El fondo de la abertura debe de ser 1 1/2" de la superficie de adonde la unidad se asentará.

Mide la pared exterior, como se muestra en la ilustración. Corte, estructura y nivela la abertura. El plenum de pared tiene un borde de 3/4" al rededor para cubrir la abertura o el calce.

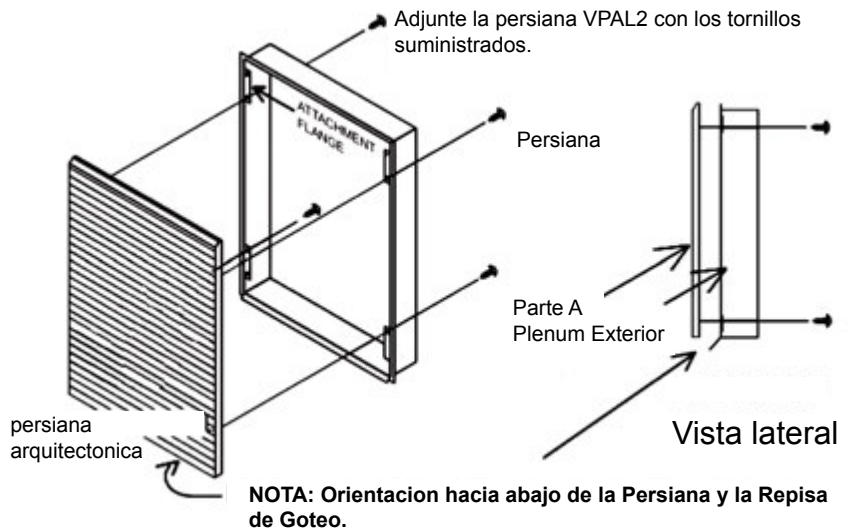
Si la instalación utilizara un drenaje auxiliar panorámico, la bandeja de drenaje debe estar a un máximo de 1 1/2" de altura. Si la bandeja de drenaje que se utilizara es más alto, la unidad debe ser elevada dentro de la bandeja auxiliar por la diferencia de altura de la bandera de drenaje y 1 1/2".



**IMPORTANTE: EL PLENUM DE PARED FRIEDRICH NO ESTA DISEÑADO PARA CARGAS ESTRUCTURALES. LA APERTURA EN EL BORDE SE DEBE INCORPORAR A LA ABERTURA. EL PLENUM REQUIERE UN TAPAJUNTAS, SELLADOR, Y CALCE PARA UNA INSTALACIÓN RESISTENTE AL CLIMA. ES LA RESPONSABILIDAD DEL CONTRATISTA DE INSTALAR EL PLENUM CORRECTAMENTE Y CUMPLIR CON LOS REQUISITOS DE LOS CÓDIGOS DEL EDIFICIO.**

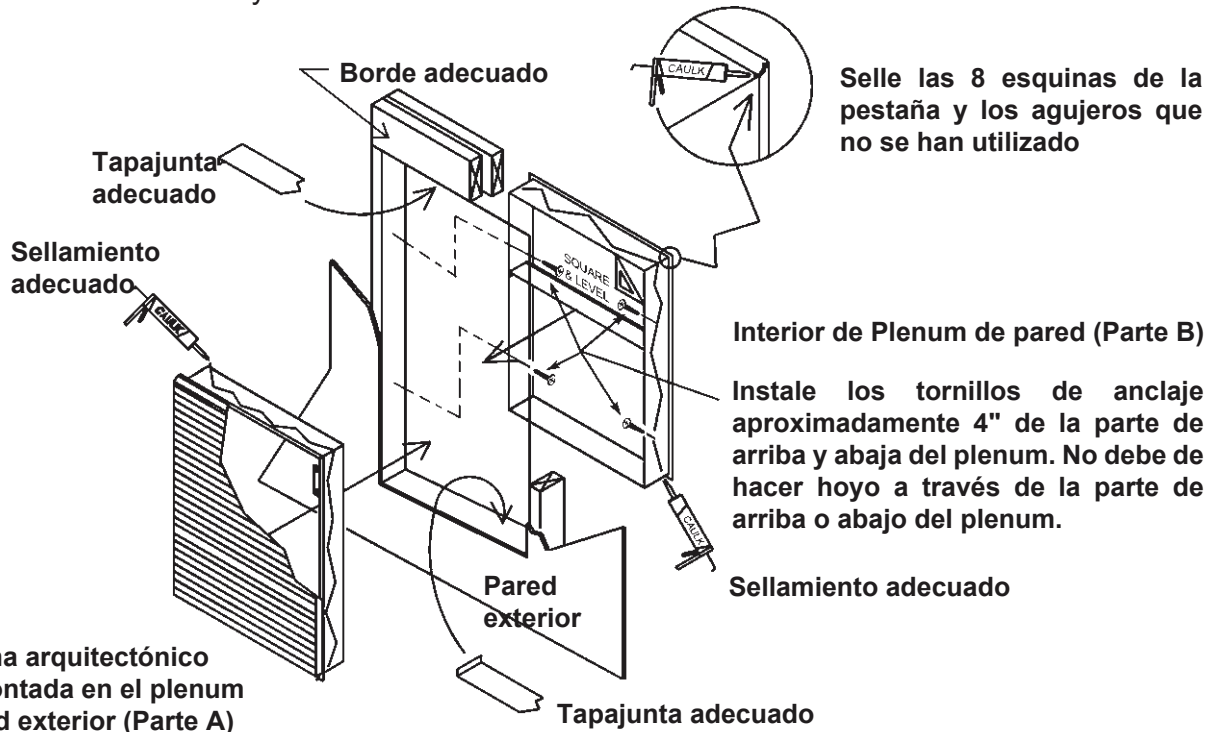
**Figura 8**  
**Instale las persianas arquitectónicas en el plenum exterior.**

**NOTA:** Es mejor si instala la persiana arquitectónica VPAL2 en el plenum exterior (Parte A) antes de instalar el plenum de pared. La instalación de la persiana es más fácil de este punto, y ayudará mantener el plenum de pared en forma durante la instalación.



**Figura 9**  
**Instalación del plenum**

**NOTA:** La instalación de la pared y el borde deben de cumplir con todos los códigos de construcción locales y nacionales.



Después de que se prepare la abertura, está listo para montar las dos partes del plenum de pared. Antes de aplicar el sellamiento y adjuntar permanente, asegúrese que el plenum exterior este en forma, nivelado, y cabe en la abertura. Selle (se recomienda de silicona) las partes e inserte las a la pared (vea la ilustración)

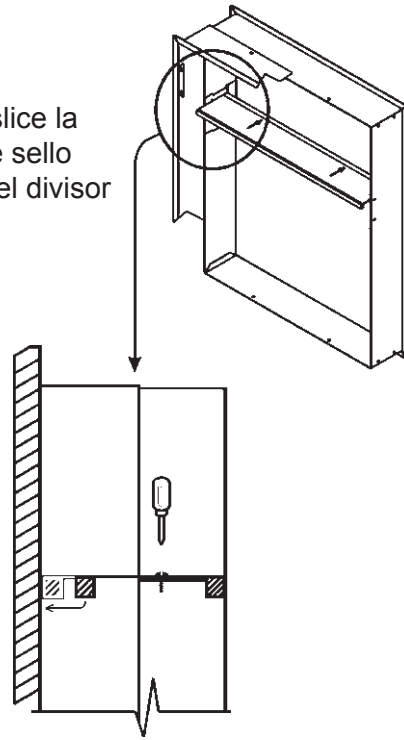
- A) Aplique el sellamiento e inserte en el agujero en la parte exterior de parte A..
- B) Aplique el sellamiento y meta la parte interior de parte B en la Parte A. Asegúrese de que la parte A no se salga del agujero de la pared.

**Figura 10**  
**Ajuste el Divisor**

### Ajuste

Afloje los dos tornillos en la parte superior de la divisora. Deslice la parte superior del divisor hacia el exterior hasta que la tira de sello haga contacto con la persiana exterior. Apriete los tornillos del divisor para completar el ajuste.

**NOTA:** Deje que el sellador se seque completamente antes de instalar el chasis. Esto completa la instalación del plenum.

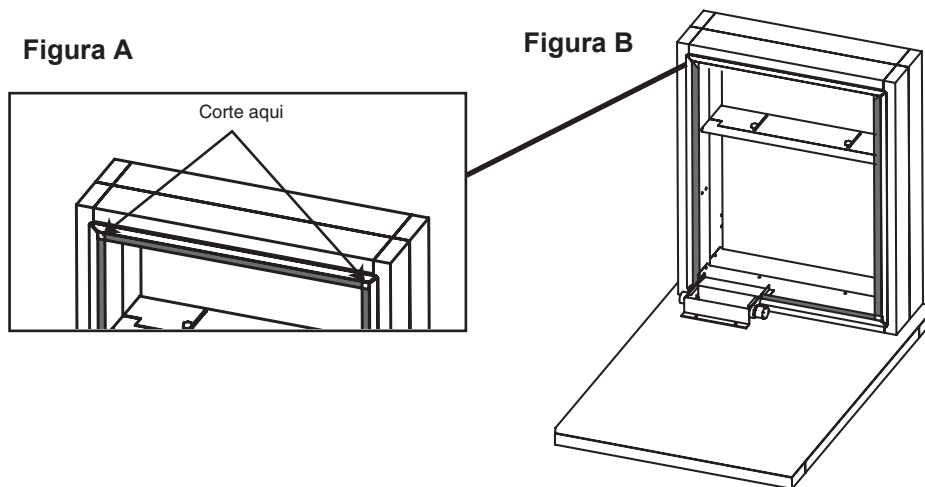


**Figura 11**  
**Preparación de plenum de pared**

**IMPORTANTE:** Este paso se debe realizar para garantizar que el chasis se instala y sella correctamente en el plenum de pared.

Desde el interior del closet localice la parte superior de la junta de sellado instalada en fábrica, vea la Figura A. Corte la junta en el lado izquierdo de la parte superior y las esquinas de la derecha del pleno. Cuidadosamente retire la pieza superior de la junta.

Cuando se termine, la instalación del plenum de la pared de la unidad 24000 BTU/ h se debe parecer a la figura B. La figura B se muestra con la bandeja de drenaje de VPDP1 instalado. La bandeja de drenaje se requiere en todas las unidades 24000.



## Instalación de la bandeja de drenaje

**NOTA:** LA BANDEJA DE DRENAJE DE ACCESORIOS (VPDP1) SE DEBE INSTALAR ANTES DE INSTALAR LA UNIDAD.

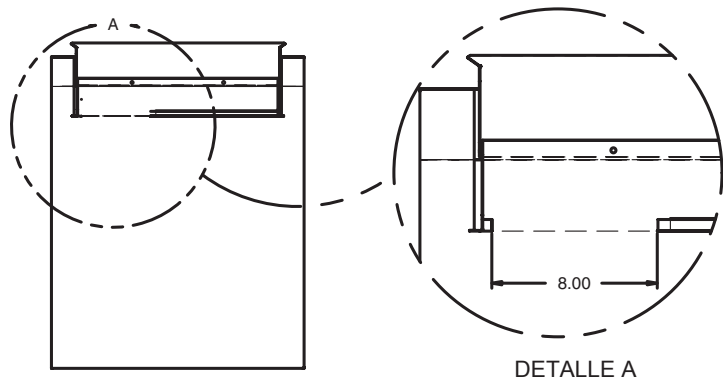
1. La bandeja de drenaje de accesorio tiene dos (2) dispuestos (a la izquierda y derecha) para la conexión de un drenaje de condensado externo.
2. Un sistema de drenaje de condensado suministrado localmente se debe conectar a uno de los dos conexiones de FPT de  $\frac{3}{4}$ ".
3. La conexión restante se debe conectar con el  $\frac{3}{4}$ " tapón del tubo (incluido) y con la cinta de teflón o conjunto de tubería suministrada localmente.
4. Si no se siguen estos procedimientos puede resultar en daños graves de propiedad.
5. Esta es la bandeja de drenaje primaria. Una bandeja secundaria de condensado suministrado localmente se recomienda y puede ser requerida. Verifique con los códigos locales y nacionales.

**Figura 12**

### PASO 1: CORTE ABERTURA EN LA JUNTA

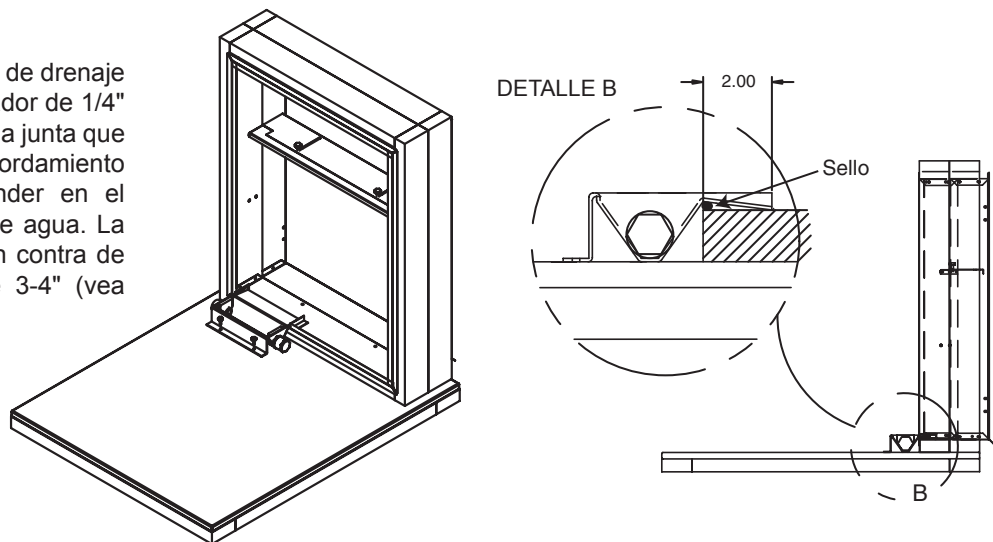
Remueve una porcion de 8" de la junta de weather seal de la izquierda de la parte de abajo del superficie del plenum.

Para remover: Corte la esquina izquierda del inferior de la junta del plenum. Luego, corte 8" de la esquina izquierda. La junta se debe remover del plenum y dejar una superficie limpia para montar (vea detalle A).



### PASO 2: SELE Y ASIENTA LA BANDEJA

Antes de colocar la bandeja de drenaje en la apertura, aplique sellador de  $\frac{1}{4}$ " de ancho en la totalidad de la junta que se removio. El lip de desbordamiento secundaria se debe extender en el plenum para evitar fugas de agua. La bandeja se debe montar en contra de la pestaña del plenum de 3-4" (vea detalle B).

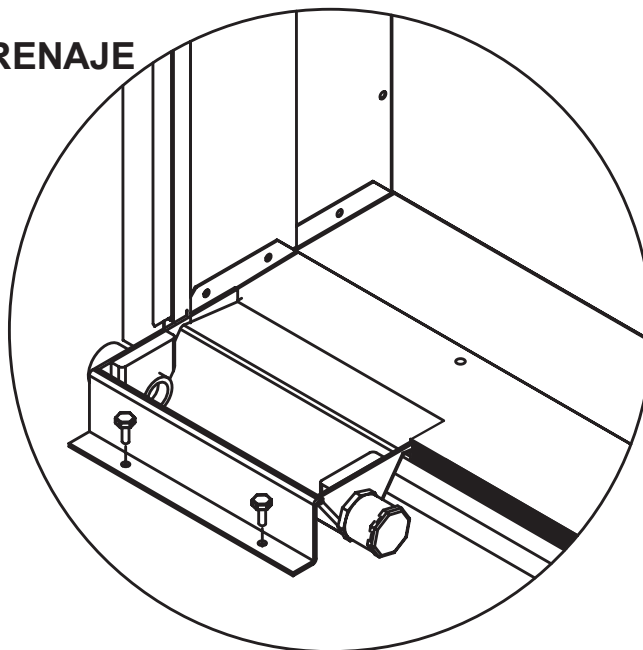


**Figura 13**

### **PASO 3: INSTALE LA BANDEJA DE DRENAJE**

Conecte la bandeja de drenaje al piso del closet con el hardware adecuado que es suministrado localmente.

**IMPORTANTE:** Para evitar las fugas de agua, sólo utilice hoyos de montar que esta suministrados por la fábrica. Nunca debe de hacer hoyos en la bandeja de drenaje.



### **PASO 4: INSTALE EL TAPÓN DE DRENAJE**

La bandeja de drenaje viene con ambas conexiones para el drenaje de la mano izquierda y derecha. Determine cuál de las dos conexiones se va utilizar para drenar el condensado. Luego, con el tapón de drenaje suministrado por la fábrica, tape la apertura que no se está utilizando.

**NOTA:** Un sellador adecuado se debe aplicar a la conexión para evitar fugas.

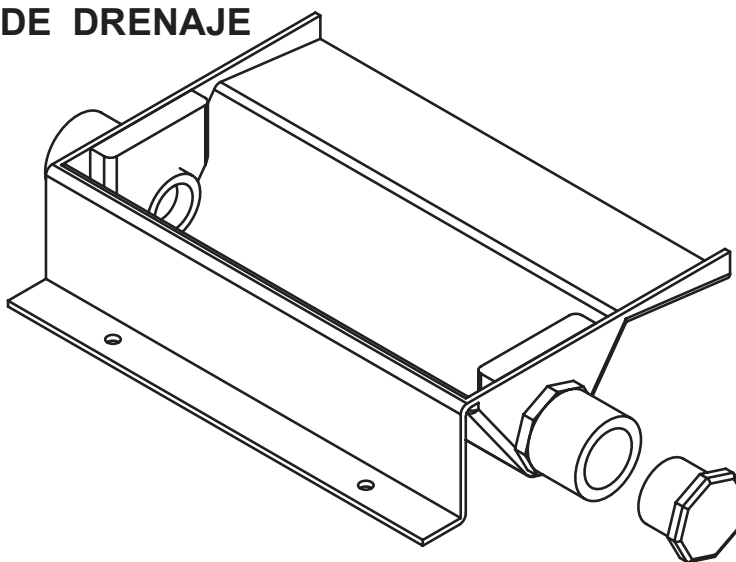
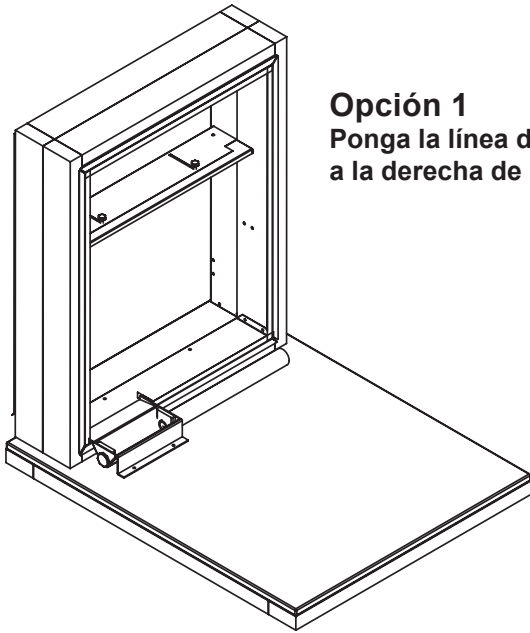


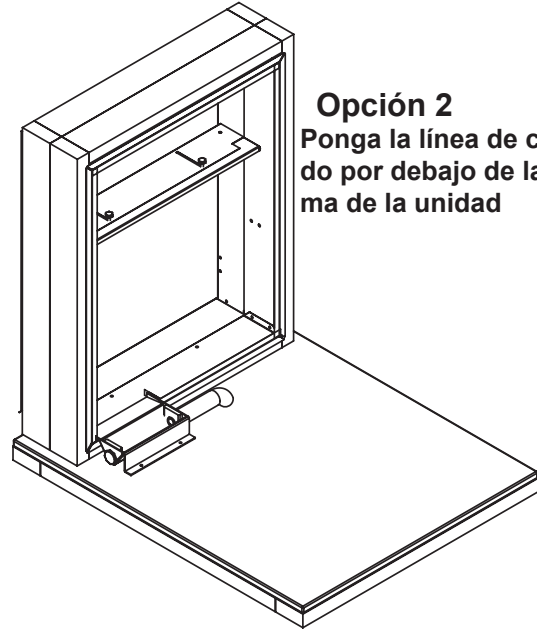
Figura 14

## PASO 5: INSTALE LA LÍNEA DE DRENAJE

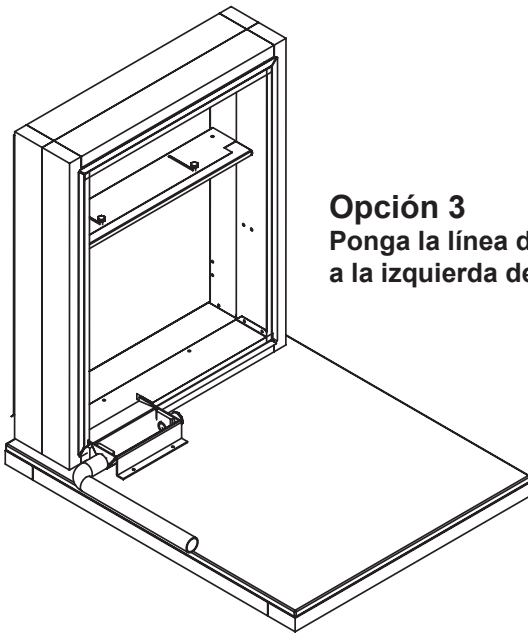
Opciones del enrutamiento de la línea de condensado se muestran a continuación. Elija la que mejor se adapte a su instalación. Nunca haga funcionar la línea de condensado, como se muestra en la opción 4, adonde la línea de desagüe tendrá contacto con los aisladores por debajo de de la unidad instalado por la fábrica.



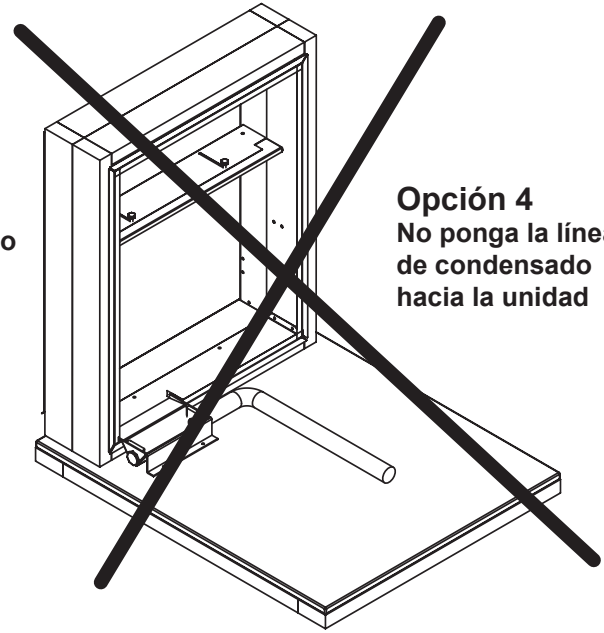
**Opción 1**  
Ponga la línea de condensado a la derecha de la unidad



**Opción 2**  
Ponga la línea de condensado por debajo de la plataforma de la unidad



**Opción 3**  
Ponga la línea de condensado a la izquierda de la unidad



**Opción 4**  
No ponga la línea de condensado hacia la unidad

**IMPORTANTE:** La bandeja y la línea de drenaje se deben mantener libre de desechos. Antes de instalar el chasis asegurese que no hay obstrucciones en la bandeja o línea de drenaje.

## Sistema de eliminación de condensado

El sistema de eliminación de condensado aumenta la eficiencia de la energía utilizando un ventilador instalado en la fábrica que mueve el condensado frío a la bobina exterior caliente.

Cuando la humedad exterior alta impide que el desvío elimine de todo el condensado, el exceso condensado se derrama en la bandeja de goteo de condensado y hacia fuera de la conexiones de drenaje interno de 3/4".

**NOTA:** Si el sistema de eliminación de condensado no remueve todo el condensado de la unidad, cualquier exceso de condensado derramara en un vertedero en la parte trasera de la unidad directamente en el plenum de pared, y desagüarse fuera del edificio. Esta es la señal de que el chasis o el drenaje necesita reparación.



### AVISO



#### Peligro de partes móviles

Apague la electricidad antes de dar servicio al componente.

El abanico puede iniciar automáticamente.

El no hacerlo puede resultar en daños a la propiedad, heridas personales y/o la muerte.

## Instalación de rejilla de aire de retorno

Hay dos opciones para la rejilla interior de aire de retorno, vea la Figura 15. Elija la opción que mejor se adapte a sus necesidades. Utilice las instrucciones de instalación proporcionadas con accesorios para detalles de instalación.

### Figura 15

#### Opciones de la rejilla de aire de retorno

**NOTA:** Todos los chasis del Vert-I-Pak se envían con un filtro de 20 "x 14" instalado. Si se va utilizar un soporte de filtro, debe de remover el filtro de la fábrica del chasis. NO utilice dos filtros.

#### Opción 1

##### VPRG4 Rejilla de aire de retorno con panel de acceso

Un filtro de (25 "x 20") que esta suministrado se monta dentro de la puerta de acceso con bisagras.

El kit contiene la bisagra para el montaje de la puerta con las aberturas de aire de retorno en la parte de arriba o de bajo de la puerta para la atenuación de sonido óptima.

Para los modelos 24,000 /Btus, Se recomienda instalar las bisagras en el lado izquierdo y las aberturas de retorno de aire en la area de abajo de la puerta.



#### Opción 2

##### Rejilla de aire de retorno suministrado

Debe tener un mínimo de 250 pulgadas cuadradas de area libre.



#### NOTAS:

Estas son los arreglos de la rejilla de aire de retorno / filtro / acceso de panel recomendados por Friedrich. Consulta a Friedrich para otros arreglos. Arreglos de aire de retorno inadecuados pueden causar problemas de funcionamiento.

Los arreglos del aire de retorno estan expuestos de frente, pero también pueden ser instalados desde el lado derecho o izquierdo de la unidad.

## Conducto

El sistema de conductos suministrado debe ser diseñado a través de un método reconocido como el método de fricción, o método de reducción de velocidad, utilizando la apropiada calculadora de conducto para el tipo de conducto (conducto de metal, tabla, o flexibles ) que se utilizan en el sistema. El sistema de conductos debe estar diseñado para una velocidad de fricción máxima de .40" de columna de agua, tomando en cuenta todas las instalaciones, registros y/o difusores. NO debe de operar la unidad sin el conducto de suministro adjunto.

El aire de retorno hacia la unidades de serie "A" Vert-I-Pak NO DEBEN ser conducidas, y todas las unidades deben tener la configuración de aire de retorno libre para funcionar adecuadamente

## Datos de flujo de aire interior

El flujo de aire interior se puede determinar midiendo la presión estática externa (ESP) del sistema de conductos utilizando un manómetro inclinado o calibre magnehelic, luego consulta tabla "A" para determinar el flujo de aire. El flujo de aire nominal de cada unidad se obtiene a .10" columna de agua cuando se opera con un filtro limpio y una bobina seca (ejemplo, la calefacción) en la velocidad indicada de 230 voltios. Utilice los multiplicadores de corrección de flujo de aire en la tabla "B" para determinar el flujo de aire en las condiciones enumeradas. No debe operar el Vert-I-Pak en una presión estática externa de más de .40" de columna de agua. Funcionamiento del Vert-I-Pak en estas condiciones resultaria en el flujo de aire inadecuado, mal funcionamiento y/o fallo de un componente prematura.

Por Operación a baja velocidad (LOW), conecte el terminal de salida del abanico del termostato a la terminal de GL del control electrónico. Para la operación de alta velocidad (HIGH), conecte la salida del abanico del terminale del termostato a la terminal de GH del control electrónico. Para los termostatos con dos velocidades de capacidades del abanico, conecta la salida a Baja Velocidad (LOW) al terminal GL, y la salida de alta velocidad (HIGH) a la terminal de GH.



ESP (")	Modelo	
	Low	High
.00"	690	740
.10"	610	700
.20"	560	640
.30"	510	580
.40"	450	520

Los valores destacados indican el punto de funcionamiento nominal.

Para termostatos de una sola velocidad, conecta la terminal GL para la velocidad baja (Low) o terminal GH para la alta velocidad (High). Termostatos de control de dos velocidades usaran ambos.


## Instalación del chasis

**NOTA:** Antes de instalar el chasis, asegúrese de que la bandeja y la línea de drenaje estén libres de desechos.

- Asegúrese de que el plenum de pared este instalado en conformidad con el manual de instalación de VPAWP1 1-8/1-14 .
- Asegúrese de que la bandeja de drenaje de VPDP1 este instalado correctamente (vea figura 16). Utilizando los tapones de 3/4" suministrados, tapa el hoyo del drenaje de condensado que no se esta utilizando. Conecte un drenaje a la salida del condensado. Asegúrese de utilizar cinta de teflón o sellador aprobado en todas las conexiones y tapones de los tubos de drenaje (vea Figura 16).
- Coloque el chasis en el closet con la parte exterior hacia el frente de la apertura de plenum.


- Deslice el chasis adentro del plenum de pared hasta que el sello del divisor del plenum se ha establecido y el chasis instalado en la fábrica a la junta de plenum ya se ha sellado a la pestaña superior del plenum (Vea Figura 16).

**PRECAUCIÓN**



**Peligro de Peso Excesivo**  
 Dos o más personas deben de instalar el aire acondicionado.  
 El no hacerlo puede resultar en heridas de espalda ú otras heridas

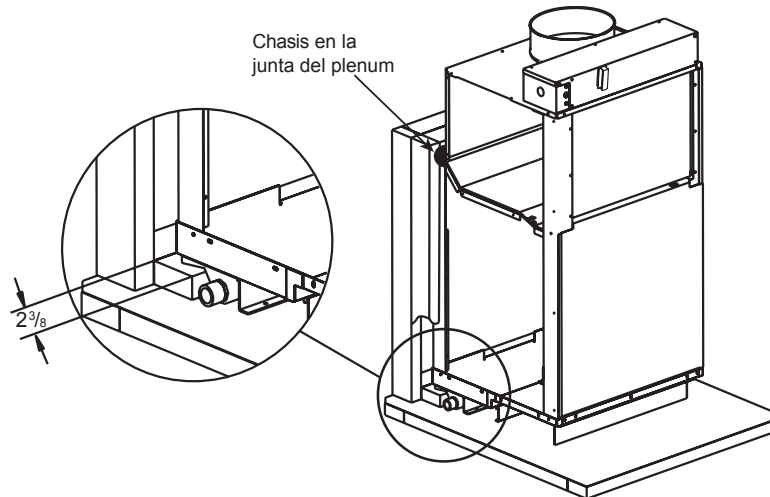
**PRECAUCIÓN**



**Peligro de cortarse**  
 Algunas orillas pueden ser filosas, utilice guantes o protección de la manos al manejar la unidad.  
 El no hacerlo puede resultar en heridas leves a moderados.

**Figura 16**

### Instalación del chasis/ Vista de cuando este instalada



El chasis del Vert-I-Pak se debe insertar al plenum de pared para que la junta del divisor del plenum haga contacto con el baffle de condensador en la unidad. El chasis se ajuste aproximadamente 2 3/8" en el plenum de pared.

**NOTA:** Antes de instalar el chasis, asegúrese de que la bandeja y la línea de drenaje esten libres de desechos.



# Conexiones de Termostato remoto y control de voltaje bajo

## Termostato Remoto

Todos las unidades Vert-I-Pak de Friedrich son configurados en fábrica para ser controlados por medio de un termostato de pared de remoto de fase individual de heat/cool.

El termostato puede ser automático o manual siempre y cuando la configuración de control coincide con la unidad Vert-i-Pak.

### Para conectar el termostato de pared:

- 1) Saque el interruptor de desconexión.
- 2) Destornille y retire el panel de caja de control.
- 3) Después de seleccionar el lado que desea meter el cable del termostato, mete los cables a través del hoyo del lado de la caja para llegar a la terminal de conexión para el cableado.
- 4) Haga las conexiones de cable, armanizando los cables como se muestra en el diagrama de cableado.
- 5) La unidad ahora está lista para funcionar una vez que cada cable este armanizado y conectado.
- 6) Vuelva a colocar la cubierta de la caja de control.

## Terminales del Tablero de Control

El VERT-I-Pak de Friedrich ha incorporado disposiciones para la conexión a un interruptor externo para controlar la electicidad de la unidad.

El interruptor puede ser un sistema central de tablero de control o incluso un interruptor de puerta abierta normal.

Para la operación de tablero de control, conecte un lado del interruptor al terminal D1 y el otro a la terminal D2 (vea figura 17).

Cada vez que el interruptor se cierra, el funcionamiento de la unidad se apagará.

**NOTA:** El sistema de control de tablero y interruptores deben ser suministrados localmente.

### Largo máximo de cable para interruptor de control de tablero

Tamaño del cable	Largo máximo
#24	400 pies.
#22	600 pies.
#20	900 pies.
#18	1500 pies.
#16	2000 pies.

## Conexiones de termostato

R = 24V de la unidad

Y = Call for Cooling (Necesidad de enfriamiento)


W = Call for Heating (Necesidad de calentamiento)


B = Reversing Valve Energized in heating mode (Retrocediendo la válvula activada en modo calefacción) (solo en modelos PDH)

GL = Call for Fan (Low Speed) (Necesidad de abanico bajo)

GH = Call for Fan (High Speed) (Necesidad de abanico alto)

C = Common Ground (terreno común)


AVISO



**Peligro de choque eléctrico**

La conexión inadecuada del cableado de control de termostato y/o alterando el cableado interno de la unidad puede invalidar la garantía del equipo y puede resultar en daños a la propiedad, heridas personales y/o la muerte.

Unidades de otros fabricantes, e incluso los modelos anteriores de Friedrich pueden tener diferentes conexiones de cableado de control. Preguntas relativas a la correcta conexión de la unidad deben ser dirigidas a la fábrica.

## Tablero de Control

Figura 17

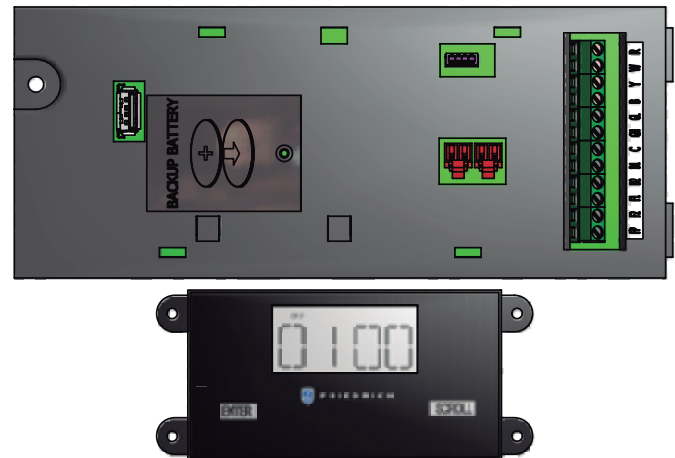


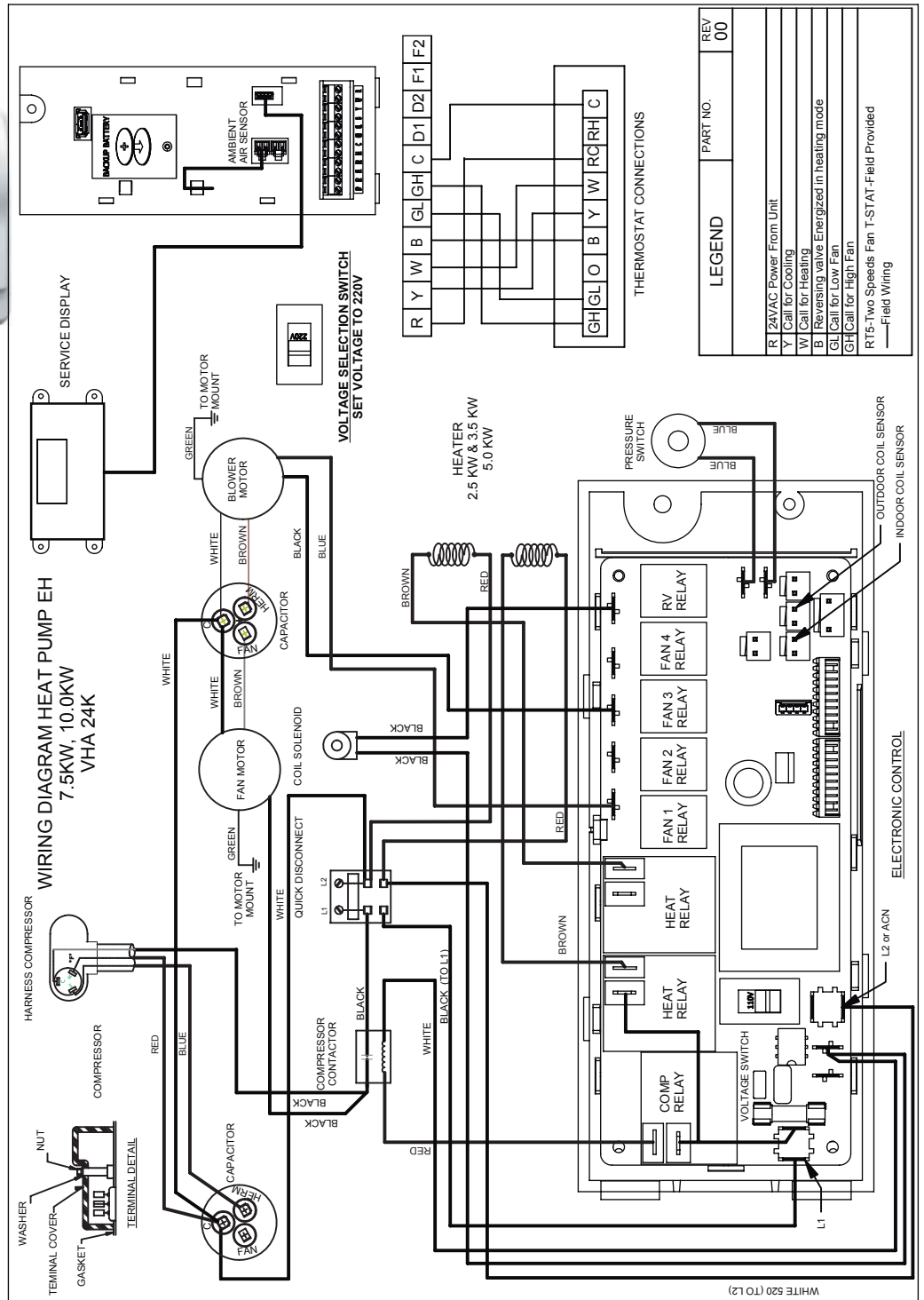
Figura 18

RT5

Ilustraciones de cableado eléctrico y de termostato



RT6  
THERMOSTAT  
(FRONT)





**NOTA:** LA ILUSTRACION ARRIBA, DEMUESTRA EL CABLEADO TÍPICO DEL THERMOSTATO PARA LA OPERACIÓN DE DOS VELOCIDADES DE ABANICO. VEA EL PANEL DE CONTROL DE LA UNIDAD PARA LA ESQUEMA ACTUAL DE CABLEADO Y ESQUEMÁTICA.

## Instalación final de Chasis

**Con el chasis en su lugar, ahora está listo para comenzar las conexiones:**

- A. Mueva los interruptores del termostato a "OFF" y "AUTO". Esto evitará que el termostato ciclé el chasis hasta que las conexiones se hayan completado al final.
- B. Conecte el conducto en el collar de 10". Se sugiere amarres de alambre de plástico (suministrados) para asegurar el conducto en su lugar. Utilice 2 amarres de alambre, uno para cada marco de conducto flexible interior y exterior.
- C. Revise el checklist de instalación final antes de reemplazar la desconexión rápida, conectando o operando el chasis.

 <b>AVISO</b>	
	<p><b>Peligro de choque eléctrico</b></p> <p>Saque la desconexión eléctrica de la parte delantera del chasis y apague toda la electricidad de la unidad antes de servir la unidad.</p> <p>El no hacerlo puede resultar en daños a la propiedad, heridas y/o la muerte.</p>

## Checklist de instalación final y arranque

- Inspecciona y asegura que todos los componentes y accesorios se han instalado correctamente y que no han sido dañados durante la instalación.
- Asegúrese de que todas las instalaciones relativas a espacios libres alrededor de la unidad se han cumplido.
- Compruebe que el filtro de aire, la bobina de interior y exterior de la unidad estén libres de cualquier obstrucción..
- Asegúrese de que los cables del disyuntor o el fusible y el circuito de suministro son del tamaño correcto.
- Revise el drenaje de agua de condensación para asegurar que son adecuados para la extracción de agua de condensación, y que tengan su aprobación.
- Asegúrese de que la instalación cumple con todos los códigos nacionales y locales y las ordenanzas que tienen jurisdicción.
- Segure todos los paneles de acceso (la cubierta frontal y/o caja de control), suministre electricidad a la unidad,enciende la unidad, y compruebe que funcionacada modo correctamente. Siga la rutina de mantenimiento recomendado por el fabricante.

**NOTA:** Se recomienda mantener un registro para anotar las fechas de mantenimiento y/o servicio. Presente el dueño o el operador de la unidad con el manual de instalación y operación, todas las instrucciones de

instalación de los accesorios, y la información de el "Authorized Friedrich Warranty Service Company" en la area para referencias si es necesario.

## Operacion de chasis

### Puerta de aire fresco

La puerta de aire fresco es un sistema de "intake" admision. La puerta se abre a través de una deslize en la parte delantera del chasis situado justo encima de la bobina interior. Mueva el deslizador a la izquierda para abrir y a la derecha para cerrar a puerta de aire fresco. El sistema es capaz de hasta 80

### Hueco para el compresor de ambiente bajo

Cada chasis está equipado con la protección de ambiente bajo, un semiconductor, lo que impedirá el funcionamiento del compresor en una temperatura de baja succión.



### Protección de la congelación de habitación

Esta función monitorea las condiciones de las habitaciones y en caso de que la temperatura llegue debajo de 40° F la unidad iniciara el ciclo de 'High Fan' con el calentador eléctrico.

## Servicio y Garantía

### Servicios / Cambios rápidos de chasis



El chasis está diseñado para la desconexión rápida y cambio. Para el servicio de electricidad de menores, quite los tornillos y la tapa de desconexión, luego levante la cubierta de la caja de control hacia arriba. Para servicios mayores, como servicios de refrigeración y abanico, remueve el chasis del closet de utilidad.

 <b>AVISO</b>	
	<p><b>Peligro de choque eléctrico</b></p> <p>Saque la desconexión eléctrica en la parte delantera del chasis y apague la electricidad de la unidad antes de servir.</p> <p>El no hacerlo puede dar resultado a daños a la propiedad, heridas o muerte.</p>

## Rutina de Mantenimiento

### Performing Routine Maintenance

Con el mantenimiento y cuidado adecuado, puede confiar en que su sistema funcionará económicamente. El mantenimiento puede ser fácil, refiérase a las siguientes direcciones. Sin embargo, antes de realizar cualquier mantenimiento, vea el AVISO de arriba.

 <b>PRECAUCIÓN</b>	
	<p><b>Peligro de cortarse</b></p> <p>Algunas orillas pueden ser filosas, utilice guantes o protección de las manos al manejar la unidad.</p> <p>El no hacerlo puede resultar en daños a la propiedad, heridas y / o la muerte.</p>

### Reemplace el filtro de aire

Un filtro de aire sucio reduce la eficacia de su Vert-I-Pak y permite que se acumule pelusa y la suciedad en la bobina del aire interior. Pelusa y suciedad en la bobina de aire interior pueden dañar la unidad.

El filtro de aire se debe reemplazar cuando esté sucio. Para reemplazar el filtro (filtro de aire de retorno montada en el chasis):

1. Deslice el filtro, de los carriles del filtro.
2. Quite el filtro.
3. Instale un filtro desechable nuevo.

**NOTA:** No opera su sistema sin un filtro o bloquera la parte frontal de la apertura de retorno de aire de la unidad.

### Para quitar el chasis del closet:

- A. Apague el termostato de pared.
- B. Jale la desconexión de alimentación en la parte delantera del chasis.
- C. Desconecte la corriente de la unidad que viene del panel principal de disyuntor o la desconexión del closet.
- D. Desconecte la conexión eléctrica.
- E. Desconecte el conducto.
- F. Deslice el chasis fuera del plenum de pared.
- G. Saca el chasis del closet.

### Inspeccione y limpie la bobina de aire interior

Eventualmente, pequeñas cantidades de pelusa y suciedad pueden pasar por el filtro y se acumulan en el aire del interior. Estas acumulaciones se pueden remover cuidadosamente con un cepillo que viene con la aspiradora. Se debe tener cuidado para evitar doblar las laminas de aluminio de la bobina. Las laminas dobladas se pueden enderezar con una herramienta de lamina especial disponible con distribuidores de HVAC.

### Inspeccione la admisión y escape del aire exterior

Los caminos de admisión y escape del aire exterior de la unidad se deben mantener libres. Revise el escape del aire exterior frecuentemente. Manténgalo libre de basura, nieve y/o hielo. La admisión de aire exterior también se debe mantener libre de obstrucciones. Bloqueando la apertura de la admisión y/o escape puede reducir la eficiencia de la unidad ya la puede dañar.

### Inspeccione y limpie el drenaje de condensado

El drenaje de condensado se debe dirigir hacia una área adecuada para desaguarse. Periódicamente revise el drenaje de condensado. Manténgalo libre de cualquier cosa que puede bloquear o impedir el flujo de agua de condensado.

Si hay acumulación de otros materiales en el drenaje, se debe de remover y limpiar. Todo el drenaje se debe proteger de congelación.

## Garantía

Todos servicios de garantía se deben de realizar por un servidor autorizado. Vea la garantía del producto y consulte su vendedor y/o contratista por detalles.

## Diagnósticos y modo de pruebas de código error de control electrónico

### Diagnósticos

El control electrónico de VPAK monitorea el funcionamiento de la unidad Verti-Pak continuamente y guardar los códigos de servicio de ciertas condiciones si los ocupa. En algunos casos, la unidad puede tomar acción y apagar la unidad hasta que se corrijan las condiciones.

Para acceder al menú de código de errores, pulse el botón 'ENTER'. Si los códigos de error están presentes, se mostrarán. Si existen varios códigos puede alternar entre los códigos de error con el botón de 'SCROLL'. Para borrar todos los códigos pulse el botón 'ENTER' y los botones de 'SCROLL' durante tres segundos, mientras que cambia en el modo de códigos de error. Para salir sin perder los códigos pulse el botón 'BAJA DEL VENTILADOR'.

## Códigos de error y Estado de la Alarma

Panel de Unidad de control

El control mostrado aquí tiene cuatro dígitos. Los dos dígitos izquierdos indican el código de error (1 a 24). Los iconos de on/off arriba de estos dos dígitos indican el estado actual del código de error. Los dos dígitos a la derecha muestran la cuenta histórica (hasta 99) del código de error asociado. El control contiene un icono de mantenimiento (llave) que se iluminará para indicar cuando la unidad requiera mantenimiento.



### Checar código de error

1. Presionar la tecla de "enter" para activar pantalla.
2. Cada vez que presione la tecla de "scroll" mostrará el siguiente error.

### Limpiar las entradas historicas








1. Presionar y mantener la tecla "Enter" y la tecla "Scroll" por ~ 6 segundos.

La tabla debajo demuestra los posibles códigos de error y su descripción:

Código de error	Problema	Accion
1	Botón de panel frontal atorado por más de 20 segundos	Continuar el monitoreo para el interruptor "ABIERTO" (Destrabado). No procese la entrada del interruptor.
2	Voltaje de entrada fuera de especificación (103 - 127 / 187 - 253)	La unidad para, abre los relevadores hasta que el voltaje regrese dentro de especificaciones entonces reinicie la operación.
3	Sensor de temperatura interior abierto o corto	La unidad se ajusta a 75° en FRIO o 68°F en CALOR y continúa su operación.
4	Sensor del serpentín de temperatura interior abierto o corto	El control fija la temperatura a 40°F. Invalida el sensor y la unidad continúa su operación.
5	Sensor del serpentín de temperatura exterior abierto o corto	La unidad fija la temperatura a 20°F, invalidando el sensor. La unidad continúa operando. Use la resistencia si está disponible para calentar. Si no, use la BOMBA REVERSIBLE si la temperatura exterior lo permite.
6	Temperatura de serpentín exterior mayor a 175 F	La unidad se apagará por 5 minutos, reiniciando su operación por 3 minutos. Si la prueba falla 3 veces, la severidad aumenta y la operación de la unidad se protege.
7	Serpentín interior menor a 30F por 2 segundos consecutivos	El compresor se apaga y el abanico opera en velocidad alta. Cuando la temperatura del serpentín llegue a 45°F la unidad reiniciará la operación después del tiempo de protección.
8	Unidad se cicla a más de 9 veces por hora	La unidad continuará operando y monitoreada.
9	Unidad se cicla a menos de 3 veces por hora	La unidad continuará operando y monitoreada.
10	Protección a la congelacion de la habitación	Solamente si la calefacción es eléctrica. Corra a velocidad alta con la resistencia encendida hasta que la temperatura alcance 46°F. Debe mostrar "FRZ" durante la operación. Tome nota solamente.
11	Problema de conexión o de termostato	La unidad dejará de funcionar.
12	No aplicable	No aplicable
13	El interruptor de alta presión límite está abierto	Si la unidad está enfriando o la bomba reversible calentando, apague el compresor. Corra el abanico en velocidad alta hasta que el interruptor se cierre. Re-inicie la operación. La tercera vez en una hora, la unidad se protege. Aplicable a unidades de 24K solamente.
14	No aplicable	No aplicable
15	Error de la bomba de calor	Si la temperatura del serpentín interior es menor a la ambiental por 3 minutos, la unidad utiliza la resistencia eléctrica para satisfacer la demanda de calor.
16	Temperatura superior a los límites de operación	La temperatura ambiente es menor a 0°F o la temperatura ambiente es mayor a 130°. Se activa el error 16. La unidad regresará a la operación normal cuando la temperatura entre dentro de los límites.
17	Equipo no cumple con la configuración mínima	El compresor debe activarse y tener por lo menos 2 velocidades del abanico.
18	No aplicable	No aplicable
19	No aplicable	No aplicable
20	No aplicable	No aplicable
21	No aplicable	No aplicable
22	Temperatura de serpentín exterior menor a 30 F por 2 minutos consecutivos	La unidad utilizara la resistencia eléctrica para satisfacer la demanda de calor hasta alcanzar la temperatura de > 45°F. La unidad debe ser de bomba reversible.
23	Protección de congelamiento	La unidad correrá en descongelante activo por un mínimo de 6 minutos cuando el tiempo de operación de la bomba reversible es mayor a 60 minutos y la temperatura del serpentín exterior es de 26°F o menos.
24	No aplicable	No aplicable



## Accesorios

MODELO	DESCRIPCIÓN	FOTO
VPAWP1-8	<b>PARED PLENO</b> dos partes de manguito telescopios dentro y fuera de 13.97 mm a 20.32 mm de profundidad. El pleno de la pared no es de la penetración de la pared exterior. DIMENSIONES: 77.15 mm de altura x 61.27 mm de ancho. DIMENSIONES DE CORTE: 78.42 x 62.54 mm de altura mm de ancho.	
VPAWP1-14	Igual que VPAWP1-8, pero telescopios de 20.32 mm a 35.56 mm según sea necesario.	
VPAL2	<b>ARQUITECTURA PERSIANA</b> rejilla de aluminio extruido. Rejilla que se conecta a la sección exterior de la cámara de pared. DIMENSIONES: 78.89 mm de alto x 64.92 mm de ancho.	
VPSC2	Igual que VPAL2 pero se pueden pedir en un color especial para que coincida con la pared exterior.	
RT6	<b>TERMOSTATO REMOTO DIGITAL DE PARED</b> Termostato de una sola etapa, que se utiliza en Vert-I-PAK units. Hard cable del ventilador de una sola velocidad. reemplazo directo para RT2.	
WRT1	<b>TERMOSTATO DIGITAL</b> Inalámbrica, de una sola etapa, en la pared del termostato con dos velocidades del ventilador. Características retroiluminadas múltiples modos de configuración de pantalla y.	
	<b>FRIEDRICHLINK® GESTIÓN DE ENERGÍA TERMOSTATO</b> sensor oc-ocupación integrado utiliza una combinación de tecnologías de movimiento y de detección térmica para la detección de ocupación precisa. detección de presencia permite el ahorro de energía fiable cuando las habitaciones están ocupadas. preajustes de ahorro de energía eliminan las conjeturas y que sea fácil de ajustar la configuración de ahorro de energía.	
EMWRT1	Termostato inalámbrico con sensor de ocupación.	
EMRT1	Termostato con cable con el sensor de ocupación.	
VPRG4	<b>PANEL DE ACCESO / RETORNO DE AIRE REJILLA</b> - Sirve como un panel de acceso al chasis y el interior de la rejilla de aire de retorno. A 63.5 mm x 50.8 mm) filtro suministrado campo está montado dentro de la puerta de acceso. El kit contiene soporte de bisagra para el montaje de la puerta con las entradas de aire de retorno de alta o baja en la puerta para la atenuación de sonido óptima. Por 9.000 / 12.000 / 18.000 Btu modelos, se recomienda instalar la puerta con la bisagra en el lado derecho y las aberturas de aire de retorno altas en la puerta. Para los modelos de 24.000 BTU, se recomienda instalar la bisagra en el lado izquierdo con las aberturas de aire de retorno bajas en la puerta. DIMENSIONES: 147.32 mm de alto x 73.66 mm de ancho. DIMENSIONES coutout: 140.46 mm de alto x 68.58 mm de ancho.	
VPDP1	<b>Bandeja de Desagüe</b> Bandeja de drenaje puede ser instalado antes de chasis para una fácil instalación / desinstalación.	



# FRIEDRICH

Friedrich Air Conditioning Company

10001 Reunion Place, Suite 500  
San Antonio, Tx 78216  
1-800-541-6645  
www.friedrich.com

## VERT-I-PAK<sup>®</sup> SERIE A

### Unidad Vertical de Aire Acondicionado Tipo Paquete

### GARANTÍA LIMITADA

**GUARDE ESTE CERTIFICADO:** Le da derechos específicos, usted también podrá tener otros derechos que pueden variar de estado a estado y provincia a provincia.

En el momento de que su unidad necesita servicio, póngase en contacto con su centro de servicio autorizado más cercano. Si usted no conoce el centro de servicio más cercano, consulte a la compañía que instaló su unidad o póngase en contacto con nosotros. Vea la dirección y número de teléfono arriba. Para obtener servicio y/o piezas de reemplazo de garantía, usted debe notificar a un distribuidor autorizado de Air Conditioning Co. centro de servicio, distribuidor, concesionario o contratista de cualquier defecto en el período de garantía aplicable.

Cuando ocupa el servicio: Por favor, tenga el número de modelo y de la serie de su unidad disponible.

**A menos que se especifique lo contrario en este documento, se aplica lo siguiente:**

**FRIEDRICH VERT-I-PAK A SERIES VERTICAL AIR CONDITIONERS AND HEAT PUMPS**

**GARANTÍA LIMITADA - EL PRIMER AÑO (Doce (12) meses a partir de la fecha de instalación).** Cualquier parte que se encuentre defectuosa en el material o de mano de obra serán reparados o reemplazados sin cargo por nuestro centro de servicio autorizado durante las horas normales de trabajo.

**GARANTÍA LIMITADA - SEGUNDO A QUINTO AÑO (sesenta (60) meses a partir de la fecha de instalación).** EN EL SISTEMA DE ENFRIAMIENTO SELLADO. Cualquier parte del sistema de enfriamiento sellado que presente defectos de material o de mano de obra será reparados o reemplazados sin costo (excluyendo gastos de flete) por nuestro centro de servicio autorizado durante las horas normales de trabajo. El sistema de refrigeración sellado consiste del compresor, el aparato de medición, el evaporador, el condensador, la válvula de retorno, la válvula de retención, y la tubería de interconexión.

**Estas garantías se aplican solo cuando la unidad permanece en el sitio original y sólo en unidades instaladas dentro de los Estados Unidos, Alaska, Hawai, Puerto Rico, México y Canadá, la garantía sólo se aplica si la unidad está instalada y operada de acuerdo con las instrucciones y en cumplimiento de la instalación local y los códigos de construcción y las buenas prácticas comerciales. Para obtener información sobre la garantía internacional, póngase en contacto con la División Internacional de Friedrich Air Conditioning Company.**

Cualquier pieza defectuosa que se va reemplazar se debe entregar a Friedrich, a cambio de la pieza de repuesto. Pruebas para determinar la fecha de instalación se deben presentar, sino la fecha de inicio de este certificado se considera como nuestra fecha de embarque, más de sesenta días. Las piezas de reemplazo pueden ser nuevas o reconstruidas. Las piezas de reemplazo y mano de obra sólo se justifican por cualquier porción de la garantía de la unidad que no se he utilizado.

El usuario será responsable y pagará por:

1. Las llamadas de servicio para:
  - A) Instruir sobre la operación de la unidad. B) Reemplazo de fusibles de la casa o corregir el cableado de la casa. C) Limpiar o reemplazar los filtros de aire, D) Remover la unidad de su ubicación de instalación cuando no sea accesible para el servicio requerido. E) Corregir instalaciones incorrectas.
2. Las piezas y mano de obra proporcionada por alguien que no sea el centro de servicio autorizado.
3. Los daños causados por:
  - A) Accidente, abuso, negligencia, mal uso, disturbios, incendios, inundaciones, o actos de Dios. B) Funcionamiento de la unidad donde hay un ambiente corrosivo que contienen cloro, flúor, o cualquier sustancia química dañino (fuera de un residencial normal). C) Alteración o reparaciones no autorizada de la unidad, que afectan a su estabilidad y funcionamiento. D) El mantenimiento y servicio inapropiado. E) Uso de electricidad incorrecta. F) La instalación o aplicación de la unidad inadecuada.

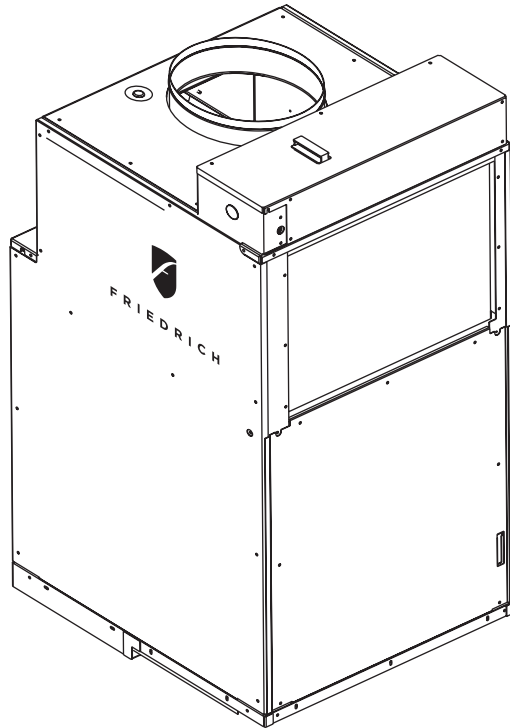
**Nosotros no seremos responsable por daños incidentales, gastos indirectos o especiales en relación con cualquier uso o el fallo de esta unidad. No hemos hecho y no hacemos ninguna representación o garantía de uso o propósito en particular. Solo podemos garantizar lo que este expresado en el certificado actual. Nadie está autorizado a cambiar este certificado o crear cualquier otra obligación o responsabilidad en relación con esta unidad. Cualquier garantía implícita tendrá una duración de un año después de la fecha de compra original.** Algunos estados y provincias no permiten limitaciones en la duración de una garantía, por lo que las limitaciones o exclusiones no se aplicaran. Las disposiciones de esta garantía son adicionales y no una modificación o sustracción de las garantías legales y otros derechos y recursos previstos por la ley.

**En caso de cualquier pregunta respecto a las condiciones de esta garantía, la versión en Inglés será la válida**



## **VERT-I-PAK® Série-A**

**Système de conditionnement d'air monobloc vertical,  
24,000 Btu/hr**



**IMPORTANT:** Ce manuel se rapporte uniquement aux modèles de 24000 Btu/hr. pour les modèles de 9000 à 18000 Btu/hr veuillez utiliser le manuel 959-910-01\_03



---

# Table des Matières

## Généralités

Instructions préliminaires .....	47
Avertissements .....	47
Renseignements sur la sécurité .....	47

## Caractéristiques générales

Identification du modèle .....	48
Caractéristiques de l'appareil .....	48
Caractéristiques électriques .....	48
Alimentation électrique .....	49
Calibre des fils électriques .....	49

Recommandations pour l'installation .....	50
-------------------------------------------	----

## Installation

Dimensions du local technique .....	51
Installation du plénum et des persiennes extérieures .....	52
Installation du bac d'égouttement .....	56
Système d'évacuation du condensat .....	59
Installation de la grille de reprise d'air intérieur .....	59
Conduits d'air .....	59
Mise en place de l'appareil .....	60

## Contrôle par thermostat mural

Thermostat mural .....	61
Connexions pour interrupteur secondaire .....	61
Connexions du thermostat .....	61
Commande de ventilateur auxiliaire .....	61
Schéma de câblage .....	62
Dernières opération de raccordement de l'appareil .....	63
Liste de vérification de l'installation .....	63

## Fonctionnement de l'appareil

Le système « Fresh Air Door » .....	63
Coupure basse ambiance du compresseur .....	63
Prévention du gel .....	63
Chauffage d'urgence .....	63

## Entretien et garantie

Entretien et remplacements rapides .....	64
Entretien périodique .....	64
Tests et diagnostic par codes d'erreur .....	64
Codes d'erreur .....	65

Accessoires .....	66
-------------------	----

<b>Garantie</b> .....	67
-----------------------	----

# Félicitations!

Merci d'avoir choisi Friedrich. Votre nouveau système de conditionnement d'air Vert-I-Pak a été conçu et fabriqué avec soin afin de vous fournir une température et un niveau d'humidité confortables, avec constance et efficacité pendant de nombreuses années. Les nombreuses caractéristiques qui ont été ajoutées à cet appareil lui permettent de fonctionner sans bruit et d'optimiser la circulation d'air frais et sec tout en économisant au maximum les ressources énergétiques.

## Instructions préliminaires

Le but de ce manuel est de vous permettre de tirer le meilleur profit des performances de votre appareil. Nous vous conseillons donc de suivre scrupuleusement les instructions d'installation. Nous n'insisterons jamais assez sur l'importance du soin apporté à l'installation, aussi avons-nous inclus dans ce manuel des renseignements très détaillés pour vous permettre d'effectuer le plus correctement possible chacune des opérations.

### Voici quelques suggestions pour vous aider à optimiser le rendement de votre appareil :

1. Suivez scrupuleusement les instructions d'installation.
2. Nettoyez le filtre fréquemment (Voir Entretien périodique, page 18).
3. N'obstruez pas les entrées et sorties d'air.
4. Un filtre sale ou des réglages incorrects peuvent réduire les capacités de refroidissement et les performances générales de l'appareil.
5. Si la climatisation est faible, bien que le filtre soit propre et les réglages adéquats, il se peut que l'appareil nécessite l'intervention d'un technicien. Dans ce cas faites-le vérifier par un technicien agréé Friedrich.
6. Pour des performances optimales, ne laissez pas entrer trop de soleil dans la pièce à climatiser.
7. Une bonne isolation du bâtiment favorise le maintien de la température souhaitée



## AVERTISSEMENT

Lire attentivement ce manuel avant l'installation et l'utilisation de l'appareil.

L'installateur est responsable de l'applicabilité et de la bonne installation de l'équipement. Celle-ci doit être conforme aux normes les plus récentes du Code canadien de l'électricité et du Code international sur les installations mécaniques ainsi qu'à toute autre réglementation nationale ou provinciale pertinente.

Toute absence de conformité peut entraîner des dommages matériels et provoquer des blessures graves ou fatales.



## AVERTISSEMENT

### Systeme de réfrigération sous pression.

Ne pas percer ni incinérer. Éloigner de toute flamme et de toute source de chaleur.

Les réparations et l'entretien ne doivent être effectués que par un technicien qualifié en réfrigération.

Les pressions utilisées pour le R410A sont supérieures à celles du R22. À chaque intervention technique, prendre toutes les précautions recommandées.

Utiliser exclusivement des collecteurs conçus pour du R410A et non pour du R22.

Toute négligence peut entraîner des dommages matériels et provoquer des blessures graves ou fatales.

### La sécurité est primordiale, pour vous comme pour votre entourage.

Vous trouverez dans ce manuel et sur l'appareil plusieurs messages de sécurité. Veuillez respecter systématiquement leurs indications.

Ceci est un symbole d'alerte.

Il attire votre attention sur un risque potentiel de blessures ou un danger de mort.

Il est toujours suivi de « AVERTISSEMENT » ou « ATTENTION ».

Voici la signification de ces mots.



## AVERTISSEMENT

Indique un danger qui, s'il n'est pas évité, peut provoquer des blessures graves ou fatales et endommager l'équipement et d'autres biens.



## ATTENTION

Indique un danger qui, s'il n'est pas évité, peut provoquer des blessures et endommager l'équipement et d'autres biens.

Tous les messages vous informent sur la nature du danger et la manière de l'éviter ainsi que sur les conséquences en cas de négligence.

## IMPORTANT

Indique un risque de dommages matériels en cas de non-respect des instructions.

# Caractéristiques générales

## Identification du modèle Vert-I-Pak®

<b>NUMÉRO DE MODÈLE</b>	<b>V</b>	<b>E</b>	<b>A</b>	<b>24</b>	<b>K</b>	<b>34</b>	<b>RT</b>	<b>L</b>
<b>SERIE</b> V= Vertical								<b>CODE DE FABRICATION</b>
V= E= Climatisation avec chauffage électrique H= Thermopompe								<b>OPTIONS</b> RT= Commande à distance standard
<b>PRÉSENTATION</b> A = Boîtier de 120 cm								<b>PUISSANCE DU CHAUFFAGE ÉLECTRIQUE</b> <u>Série A</u> 25 = 2.5 KW 34 = 3.4 KW 50 = 5.0 KW 75 = 7.5 KW 100 = 10.0 KW Se reporter au tableau des caractéristiques électriques pour la compatibilité du chauffage et de l'appareil
<b>PUISSANCE NOMINALE</b> <u>SÉRIE A (Btu/h)</u> 24 = 24,000								
<b>TENSION</b> K = 208/230V-1Ph-60Hz R= 265V - 1 Ph - 60 Hz								

## Caractéristiques de l'appareil

Tension	208/230 V 265V
Frigorigène	R-410A 58,7
Largeur du boîtier	cm 58,7 cm
Profondeur du boîtier	120 cm 25,4
Hauteur du boîtier **	cm
Raccord de conduit d'air ***	3/4 po fil. fem.
Raccord de drain	
Débit d'air intérieur	Voir tableau page 14
PSE max. du conduit d'air	0,4 po d'eau

## Caractéristiques électriques

	VHA24R				
	2500	3400	5000	7500	10000
Watts Chauffe	2500	3400	5000	7500	10000
Tension	265				
Chauffage (A)	12.2	15.6	19.8	29.2	38.6
Chauffage Amps HP	8.1	8.1	8.1	8.1	8.1
Courant min. admissible	20	20	24.8	36.5	48.3
Disjonct. divis. (A)	25	25	30	40	50
Compr. rotor bloqué (A)	46	46	46	46	46
Climatisation (A)	9.7	9.7	9.7	9.7	9.7
Puissance chauffage std	2.5 kW	3.4 kW	5.0 kW	7.5 kW	10.0 kW
Connexion au secteur	Raccordement fixe				
Calibre des fils recommandé * pour branchement au réseau (AWG)	10	10	10	8	6

\*\* La hauteur comprend les 5 cm du raccord de conduit d'air et les isolateurs sous l'appareil.

\*\*\* Convient pour des conduits flexibles de 10 po

## Caractéristiques électriques

	VEA24K					VHA24K				
	2500/2050	3400/2780	5000/4090	7500/6135	10000/8180	2500/2050	3400/2780	5000/4090	7500/6135	10000/8180
Tension	230/208									
Chauffage (A)	10.9/9.9	14.8/13.4	21.7/19.7	32.6/29.5	43.5/39.3	10.9/9.9	14.8/13.4	21.7/19.7	32.6/29.5	43.5/39.3
Courant min. admissible	17.2/15.9	22.1/20.3	30.7/28.1	44.3/40.3	57.9/52.7	17.2/15.9	22.1/20.3	30.7/28.1	44.3/40.3	57.9/52.7
Disjonct. divis. (A)	25	25	30	45	60	25	25	30	45	60
Compr. rotor bloqué (A)	34.8	34.8	34.8	34.8	34.8	34.8	34.8	34.8	34.8	34.8
Climatisation (A)	10.0/10.4	10.0/10.4	10.0/10.4	10.0/10.4	10.0/10.4	10.6/10.9	10.6/10.9	10.6/10.9	10.6/10.9	10.6/10.9
Puissance chauffage std	2.5 kW	3.4 kW	5.0 kW	7.5 kW	10.0 kW	2.5 kW	3.4 kW	5.0 kW	7.5 kW	10.0 kW
Connexion au secteur	Raccordement fixe					Raccordement fixe				
Calibre des fils recommandé * pour branchement au réseau (AWG)	10	10	10	6	4	10	10	10	6	4

\* Circuit simple depuis le tableau principal. Basé sur un maximum de 30 m de fils de cuivre, un seul conducteur isolé à 60° C.

**NOTE :** Utilisez UNIQUEMENT des fils de cuivre. Les calibres des fils doivent correspondre aux normes du Code de l'électricité. Pour les installations internationales vérifiez les codes locaux.

Alimentation électriques	
<b>Calibre des fils</b>	Utilisez UNIQUEMENT les calibres de fils recommandés pour les circuits divisionnaires à prise simple.
<b>Fusible/Disjoncteur</b>	Utilisez UNIQUEMENT un fusible ou un disjoncteur HACR du type et de la puissance spécifiés sur la plaque signalétique de l'appareil (voir exemple ci-dessous). Le propriétaire est responsable de l'installation d'une protection adéquate contre les surintensités.
<b>Mise à la terre</b>	L'appareil DOIT être relié à la terre par le circuit divisionnaire ou au moyen du fil de mise à la terre fourni pour les installations à branchement permanent. S'assurer que le circuit divisionnaire ou la prise électrique est relié à la terre.
<b>Sélection du calibre des fils</b>	Employez les calibres de fils indiqués dans les tableaux et installez un circuit divisionnaire unique. Tout le câblage doit être conforme au code de l'électricité et aux réglementations locales. <b>NOTE:</b> N'utilisez que des conducteurs en cuivres.

**IMPORTANT:** Tout le bobinage et câblage doit être conforme aux codes locaux et NEC. L'installateur est responsable de s'assurer que tous les codes électriques sont respectés.

### Tableau de Caractéristiques Électriques

**IMPORTANT:** Utiliser du fil d'alimentation en cuivre SEULEMENT. Dimension du fil électrique code NEC. Vérifiez les codes locaux pour une utilisation à l'étranger.

Calibre du câble de branchement recommandé*	
Dimension maximal du disjoncteur	dimension du fil**
20A	12
30A	10
40A	8
55A	6
70A	4

AWG --- American Wire Gauge

\* Circuit unique du boîtier principal.

\*\* Basé sur 100' ou moins de fil en cuivre, sectionnement simple à 60° C

## AVERTISSEMENT

**Risque de choc électrique.**

Coupez l'alimentation électrique avant une réparation ou une installation.

L'appareil doit être convenablement mis à la terre.

L'appareil doit être protégé par un fusible ou un disjoncteur adéquat.

Le calibre des fils du circuit d'alimentation doit être adéquat.

Tout le câblage et les branchements doivent être effectués par un électricien qualifié et doivent être conformes au code canadien de l'électricité et à toutes les réglementations locales en vigueur.

Toute ignorance de ces recommandations peut entraîner des dommages matériels et des blessures graves ou fatales.

### Exemple de plaque signalétique

<p>MODEL NO 1 SERIAL NO * FRIEDRICH AIR CONDITIONING CO. SAN ANTONIO, TEXAS</p> <p>VOLTS: 24,33,34 VOLTAGE RANGE: 295-197 REFRIG CHARGE: 7 OZS. R22 DESIGN PRESSURE: 575 PSIG HS / 150 PSIG LS COOLING: 8 BTUHR SEER: 10 COP: 16 HEAT PUMP BTUHR: 14 TOTAL COOLING AMPS: 9 TOTAL ELEC. HEAT AMPS: 15 ELECTRIC HEAT WATTS: 18</p> <p>FOR PERMANENTLY CONNECTED UNITS ONLY: COMP: PLA 11 LRA 12 MOTOR: FLA 13 HP 12 HEATER AMPS: 17 MIN. CKT AMP - 0 USE - 1 M KEA DEL 1 E OR HACR TYPE CIRCUIT BREAKER</p> <p>GENERAL UNIT INFORMATION: MAX OUTLET AIR TEMPERATURE: 120°F MAX EXTERNAL STATIC PRESSURE ELECTRIC HEAT: 3.5 IN. WATER "0" CLEARANCE TO COMBUSTIBLE MATERIAL</p> <p>USE ON SINGLE OUTLET CIRCUIT ONLY</p>	<p><b>WARNING</b></p> <p>ELECTRICAL SHOCK AND MOVING PARTS HAZARD CAN CAUSE INJURY OR DEATH</p> <p>PULL OUT DISCONNECT HEAD LAMP ON THE REFRIGERATION UNIT TO DISCONNECT POWER BEFORE SERVICING.</p>	<p> LISTED 120524 HEATING AND COOLING EQUIPMENT</p> <p>APPLICABLE PATENTS: US 5,065,296</p> <p>NY MEA NO.: 295-00-E USE ONE OF THE FOLLOWING ITEMS FROM EACH CATEGORY TO COMPLETE THE ASSEMBLY</p> <p>WALL PLENUM: VPAMP1-8 VPAMP1-14 OUTDOOR GRILLE VPAL2 INDOOR GRILLE VPRG1 VPRG2 VPRG5</p>
-------------------------------------------------------------------------------------------------------------------------------------------------------------------------------------------------------------------------------------------------------------------------------------------------------------------------------------------------------------------------------------------------------------------------------------------------------------------------------------------------------------------------------------------------------------------------------------------------------------------------------------------------------------------------------------------------------------------------------------------------------------------------------------------------------	------------------------------------------------------------------------------------------------------------------------------------------------------------------------------------------------------	--------------------------------------------------------------------------------------------------------------------------------------------------------------------------------------------------------------------------------------------------------------------------------------------------------------------------------

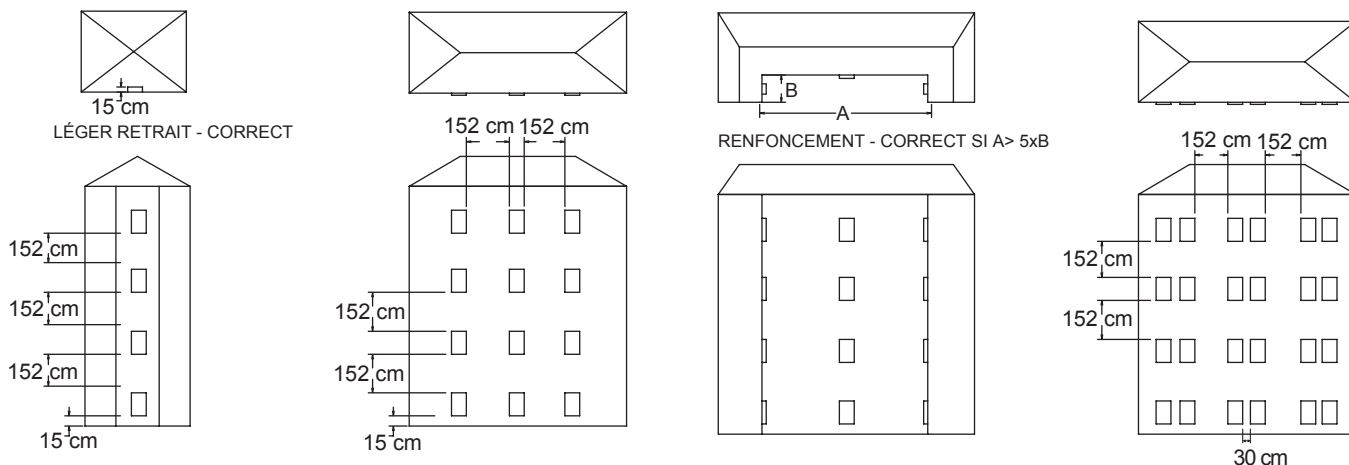
<b>THINK SAFETY FIRST</b>	<b>⚠ WARNING</b>	<b>⚠ AVERTISSEMENT</b>	<b>⚠ ADVERTENCIA</b>
	Do not remove, disable or bypass this unit's safety devices. Doing so may cause, fire, injuries or death.	Ne pas supprimer, désactiver ou contourner cette l'unité des dispositifs de sécurité. faire vous risqueriez de provoquer, le feu, les blessures ou la mort.	No eliminar, desactivar o pasar por alto los dispositivos de seguridad de la unidad. Si lo hace podría producirse fuego, lesiones o muerte.

# Recommandations pour l'installation du Vert-I-Pak

Pour préserver les performances et la longévité de l'appareil, respectez ces dégagements minimum.

**Figure 1**

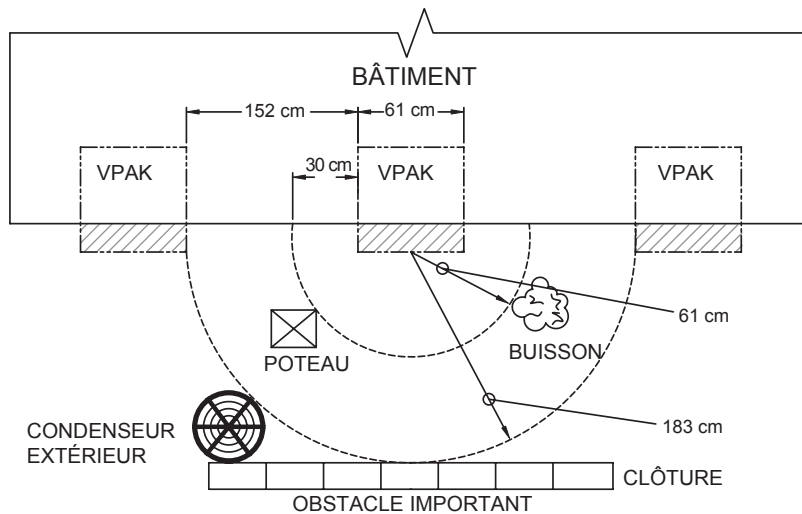
Les appareils VERT-I-PAK doivent être installés sur un mur extérieur. Évitez les endroits confinés ou couverts. Lorsque deux appareils sont installés côte-à-côte, ils doivent être espacés d'au moins 30 cm. Pour trois appareils, laissez un minimum de 152 cm entre chacun d'eux. Veuillez également respecter une distance de 152 cm entre deux appareils installés l'un au-dessus de l'autre. Les appareils installés au rez-de-chaussée doivent se situer au moins à 15 cm du sol.



**Figure 2**

En présence d'un obstacle, quel qu'il soit, servez-vous de ce schéma pour déterminer le dégagement nécessaire par rapport à la grille du VERT-I-PAK.

- Pour un léger obstacle, tel qu'un lampadaire ou un petit buisson, respectez un dégagement de 61 cm.
- Pour un obstacle important, tel qu'une clôture pleine, un mur ou toute autre obstruction au rejet de chaleur telle qu'un condenseur, respectez une distance d'au moins 183 cm.



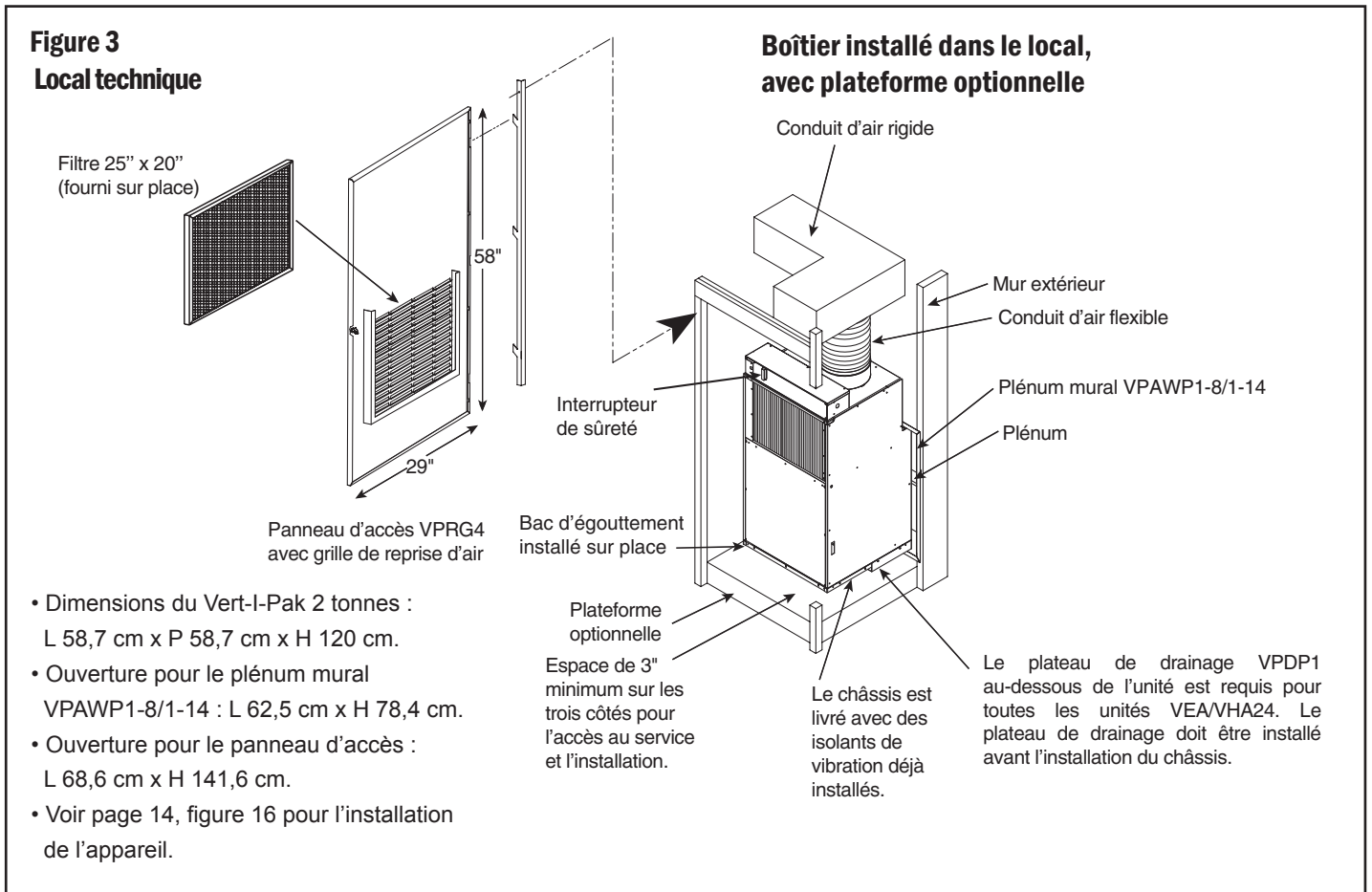
Ces renseignements ne sont donnés qu'à titre indicatif et ne couvrent pas la totalité des possibilités d'installation. Pour obtenir des détails sur d'autres agencements, veuillez contacter Friedrich Air Conditioning (informations au dos du manuel).

En respectant ces quelques recommandations simples, vous serez assurés que votre Friedrich Vert-I-Pak fonctionnera sans problème pendant de nombreuses années.

# Installation

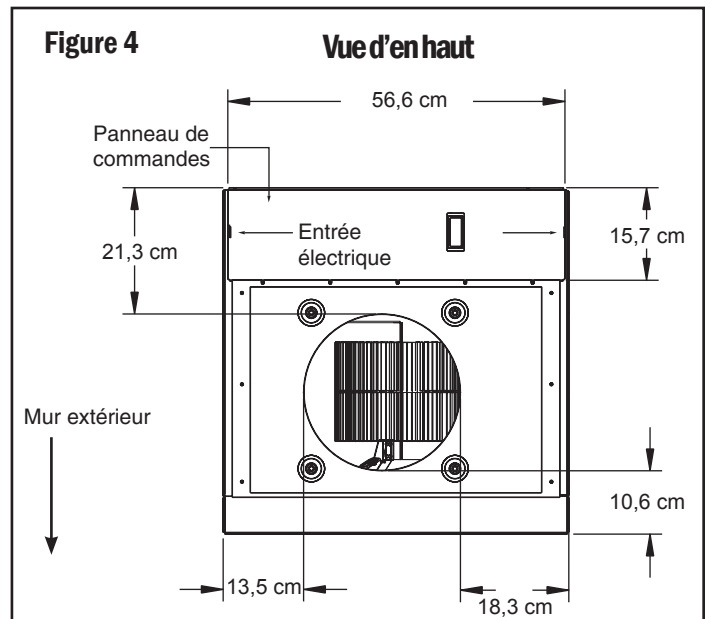
## Dimensions du local technique

La figure 3 indique les dimensions recommandées pour une installation intérieure dans un local technique. Un dégagement minimum de 8 cm sur les trois côtés de l'appareil doit permettre la circulation de l'air repris ainsi qu'un accès pour les travaux d'installation et d'entretien. Les figures 3 et 4 indiquent les dimensions de référence et les dégagements.



## IMPORTANT

Le bac d'égouttement doit être installé dans le local technique avant la pose de l'appareil dans le plénum. Voir détails d'installation page 10. Ne pas respecter cette précaution peut entraîner des dommages matériels.



## Installation de la chambre de distribution et des bouches architecturales

Installer les composantes de la chambre de distribution selon les instructions fournis.

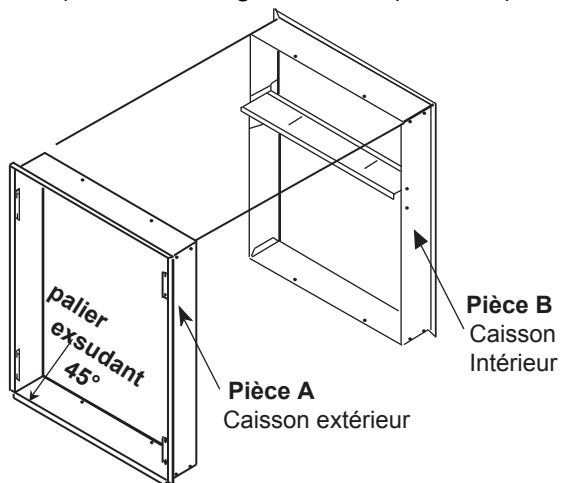
**IMPORTANT:** LA CHAMBRE DE DISTRIBUTION FRIEDRICH N'EST PAS CONÇUE POUR SUPPORTER LE POIDS DE LA STRUCTURE. LA CONSTRUCTION DES MURS APPROPRIÉS EST REQUISE. LA CHAMBRE DE DISTRIBUTION AURA BESOIN DU SOLIN, DE LA CALE ET DU MASTIC POUR UNE INSTALLATION RÉSISTANTE AUX CONDITIONS MÉTÉOROLOGIQUES.

VOTRE CHAMBRE DE DISTRIBUTION FONCTIONNERA BIEN SEULEMENT SI ELLE A ÉTÉ CORRECTEMENT INSTALLÉE. FAITES ATTENTION POUR INSTALLER LA CHAMBRE DE DISTRIBUTION DANS L'ORIENTATION CORRECTE, TELLE QU'ILLUSTRÉE AUX CROQUIS. SUIVEZ TOUJOURS LES CODES LOCAUX ET NATIONAUX POUR UNE INSTALLATION REUSSIE.

**Figure 5**  
**Pièces fournies**

La chambre de distribution consiste de deux parties:

- A) 1-Assemblage externe (Partie A)
- B) 1-Assemblage interne (Partie B)



ORIENTATION CORRECTE DE LA PARTIE A:

- BRIDES DE SERRAGE DES BOUCHES VERS LE BÂTIMENT EXTÉRIEUR, REBORD A 45° SUR LA PARTIE BASSE

ORIENTATION CORRECTE DE LA PARTIE B:

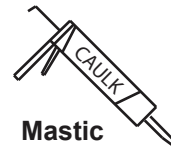
- LARGE OUVERTURE AU FOND 3/4" BRIDE VERS L'INTÉRIEUR DU BÂTIMENT.

**Figure 6**  
**Pièces fournies :**

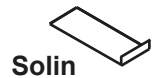
**Du mastic, des vis et du solin sont fournis. Il est recommandé d'utiliser du mastic silicone.**

VPAWP1-8 pour des murs grosseur 5.5 - 8.0".  
VPAWP1-14 pour des murs grosseur 8 - 14.0".

Les deux installations sont similaires.



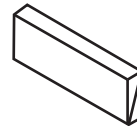
Mastic



Solin



Cale



Matériaux en tête /  
boulons des murs



Des vis 1" -3" pour  
attacher l'ensemble de  
la chambre de distribution  
aux boulons des murs



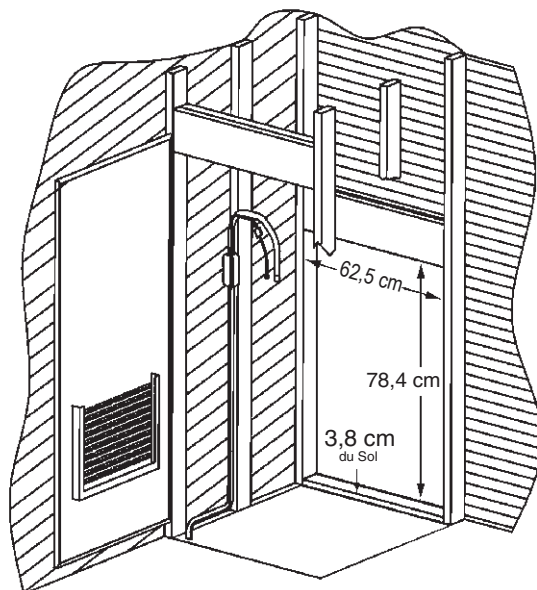
**Figure 7**  
**Mesure et encadrement de l'ouverture extérieure**

### 24000 BTU/h

L'ouverture doit mesurer 62,5 cm de largeur par 78,4 cm de hauteur. Le bas de l'ouverture doit se trouver à 3,8 cm de la surface sur laquelle reposera l'appareil.

Mesurez l'ouverture tel qu'illustré. Pratiquez l'ouverture et posez l'encadrement soigneusement à l'équerre. Le périmètre du plénum comporte un rebord continu de 2 cm permettant de recouvrir la partie brute de l'ouverture ou les pièces de calage.

Si l'installation doit comporter un bac d'égouttement auxiliaire, la hauteur de celui-ci ne doit pas dépasser 3,8 cm. S'il est plus haut, l'appareil doit être surélevé à raison de la hauteur excédentaire.

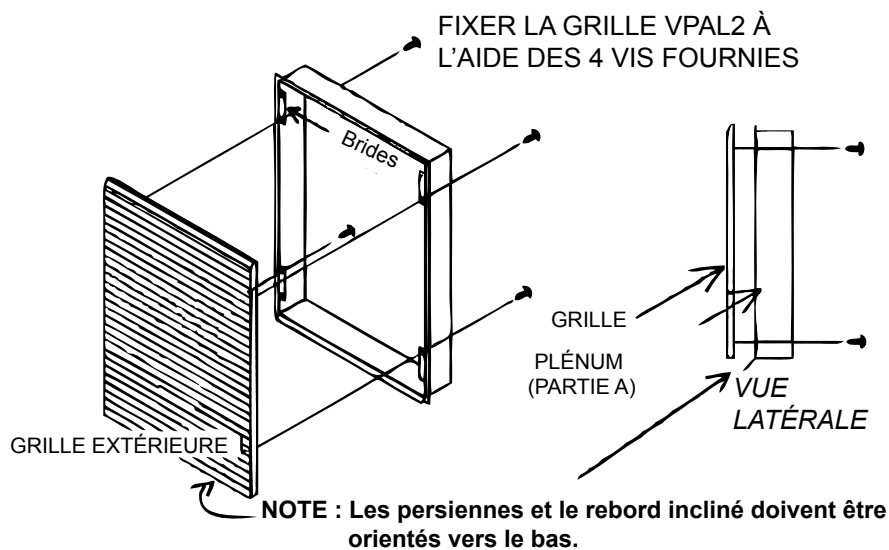


**IMPORTANT:** LE PLÉNUM MURAL N'EST PAS CONÇU POUR SUPPORTER LES ÉLÉMENTS DE STRUCTURE DU BÂTIMENT. L'OUVERTURE PRATIQUÉE DANS LE MUR DOIT COMPORTER UN LINTEAU CONSTRUIT SELON LES RÈGLES. LA POSE DE SOLINS, DE CALES ET DE CALFEUTRAGE EST INDISPENSABLE À L'ÉTANCHÉITÉ DU PLÉNUM.

L'INSTALLATEUR EST RESPONSABLE DE LA MISE EN PLACE DU PLÉNUM SELON LES EXIGENCES DU CODE DU BÂTIMENT.

**Figure 8**  
**Pose des persiennes sur l'extérieur du plénum**

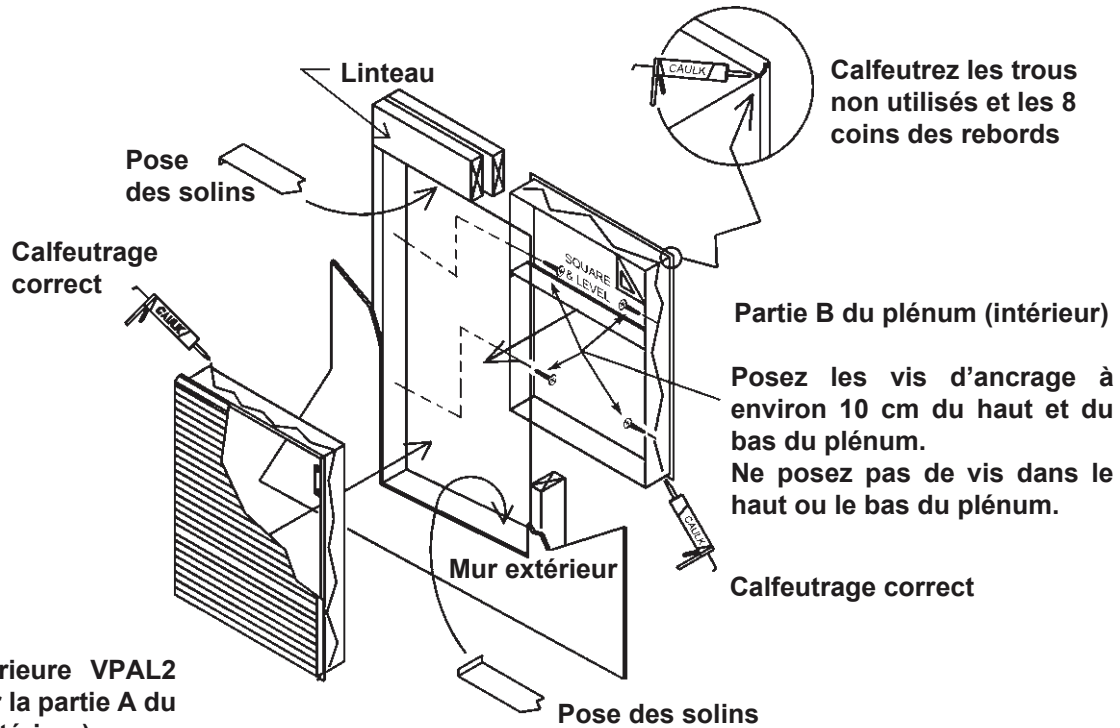
**NOTE :** Il est préférable de monter la grille à persiennes VPAL2 sur la partie extérieure du plénum (Partie A) avant l'installation du plénum. Le montage sera ainsi plus facile et maintiendra cette partie du plénum à l'équerre lors de l'installation.





**Figure 9**  
**Installation du plénum**

**Note :** La pose des ancrages dans l'encadrement doit être conforme aux exigences du Code du bâtiment.



**Grille extérieure VPAL2  
montée sur la partie A du  
plénum (extérieur)**

Après la réalisation de l'ouverture brute, vous pouvez procéder à l'assemblage des deux parties du plénum. Avant d'effectuer le calfeutrage et la fixation définitive, introduisez la partie extérieure du plénum dans l'ouverture pour vérifier l'ajustement. Calfeutrez soigneusement le périmètre du plénum (un produit à base de silicone est recommandé), puis introduisez le plénum dans le mur tel qu'illustré.

A) Appliquez le calfeutrant et introduisez la partie A (extérieure) dans l'ouverture.

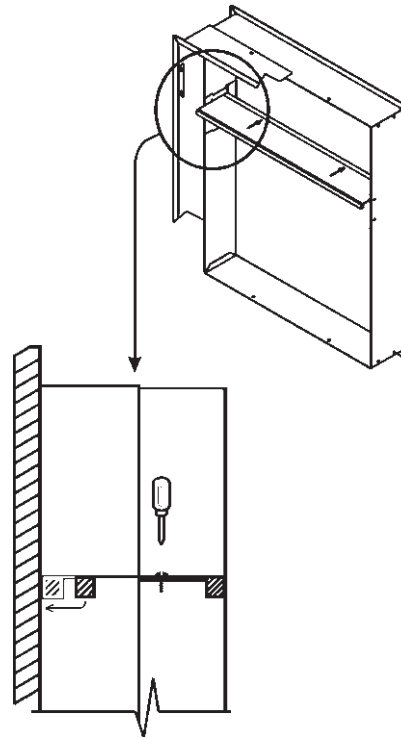
B) Appliquez le calfeutrant et introduisez la partie B dans la partie A. Assurez-vous de ne pas chasser la partie B vers l'extérieur.

**Figure 10**  
**Positionnement du séparateur**

### Ajustement

Desserrez les deux vis situées sur le dessus du séparateur. Poussez le séparateur vers l'extérieur jusqu'à ce que le joint d'étanchéité soit en contact avec la grille extérieure. Resserrez les vis du séparateur.

**IMPORTANT:** L'installation du plénum est terminée. Laissez sécher le calfeutrant complètement avant de procéder à l'installation du boîtier de l'appareil.



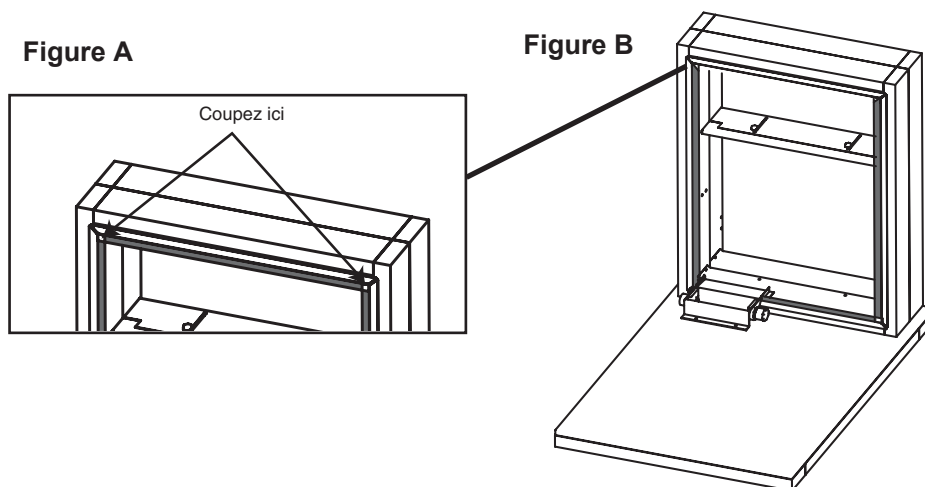
**Figure 11**  
**Préparation du plénum mural**

**IMPORTANT:** : Cette étape est indispensable pour s'assurer d'une jonction parfaite entre l'appareil et le plénum mural.

À l'intérieur du local technique, situez la partie supérieure du joint d'étanchéité installé en usine (Voir figure A).

Coupez le joint d'étanchéité aux coins supérieurs gauche et droit du plénum. Retirez délicatement toute la partie supérieure du joint d'étanchéité.

Une fois l'installation terminée, l'aspect du plénum mural doit être tel qu'illustré à la figure B. Celle-ci représente le plénum avec le bac d'égouttement VPDP1 installé. Ce dernier est indispensable pour les appareils 24000 Btu/h.



## Installation du bac d'égouttement

**NOTE :** LE BAC D'ÉGOUTTEMENT VPDP1 DOIT ÊTRE INSTALLÉ AVANT LA MISE EN PLACE DE L'APPAREIL.

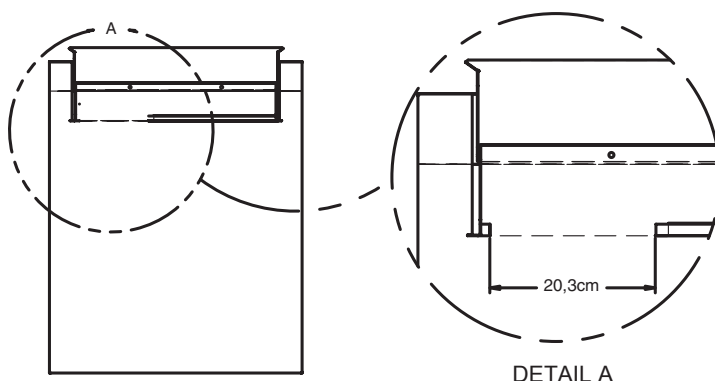
1. Le bac d'égouttement comprend deux (2) emplacements (à gauche et à droite) pour le raccordement du drain d'évacuation du condensat.
2. Une conduite d'évacuation du condensat (fournie sur place) doit être connectée à l'un des deux raccords de 3/4 po à filetage femelle.
3. Le raccord inutilisé doit être condamné avec le bouchon de 3/4 po (fourni avec l'appareil) et du ruban Téflon ou de la pâte à joint (fournis sur place).
4. Ignorer ces instructions peut entraîner des dégâts matériels importants.
5. Il s'agit du bac d'égouttement principal. Il est conseillé et pourrait être obligatoire d'installer un bac d'égouttement secondaire (fourni sur place). Consultez le code du bâtiment et les réglementations locales.

**Figure 12**

### ÉTAPE 1 : DÉCOUPEZ UNE OUVERTURE DANS LE JOINT

Retirez une longueur de 20,3 cm du joint d'étanchéité à la base du plénum.

Faites une incision dans le joint au coin inférieur gauche du plénum, puis une autre à 20,3 cm du coin. Décollez la partie découpée et nettoyez la surface ainsi laissée libre (Voir détail A).



### ÉTAPE 2: CALFEUTRAGE ET POSITIONNEMENT

Avant d'installer le bac d'égouttement, étalez une bande de calfeutrant de 6 mm sur toute la longueur de l'ouverture du joint. La margelle de débordement doit s'étendre à l'intérieur du plénum pour éviter les fuites d'eau. Le bac d'égouttement doit être installé contre le rebord de 2 cm du plénum (Voir détail B).

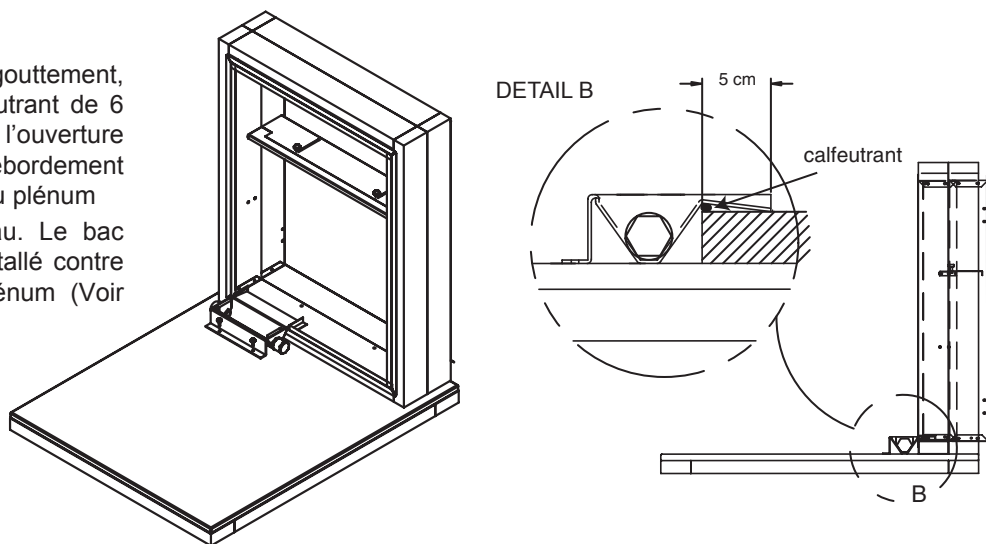
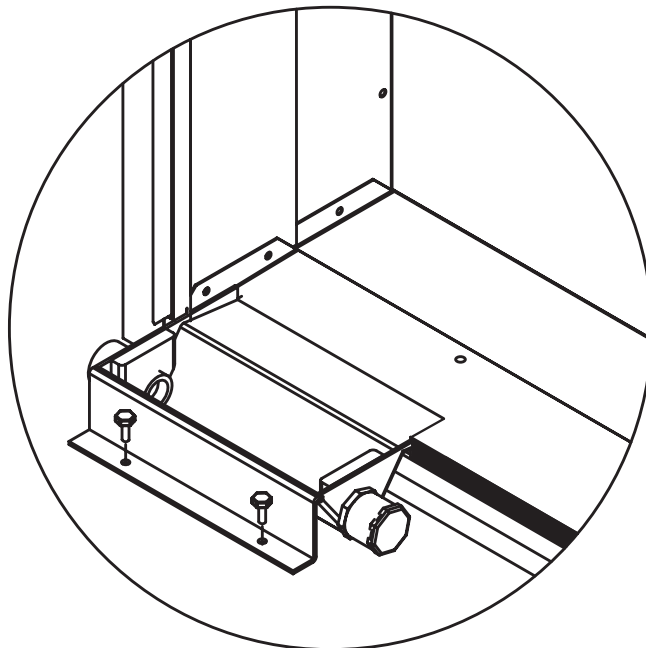


Figure 13

### ÉTAPE 3: INSTALLEZ LE BAC D'ÉGOUTTEMENT

Fixez le bac d'égouttement sur le plancher du local technique au moyen des ancrages spéciaux fournis sur place.

**IMPORTANT** : Pour éviter toute infiltration d'eau, servez-vous uniquement des trous percés en usine. Ne faites AUCUNE perforation dans le bac d'égouttement.



### ÉTAPE 4: POSEZ LE BOUCHON DU DRAIN

Le bac d'égouttement comporte un raccord de drain vers la gauche et un vers la droite. Après avoir déterminé lequel des deux sera utilisé, bouchez le second au moyen du bouchon livré avec l'appareil.

**NOTE** : Pour éviter les fuites, utilisez un matériau d'étanchéité adéquat sur les deux raccords de drain.

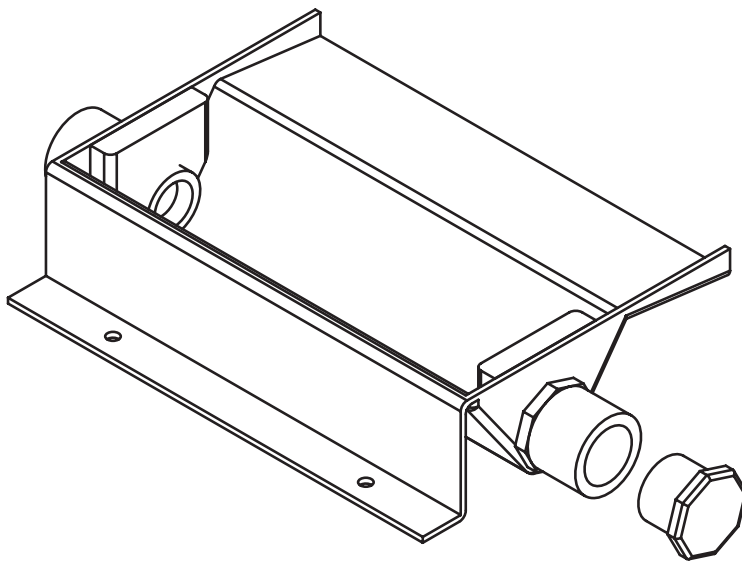
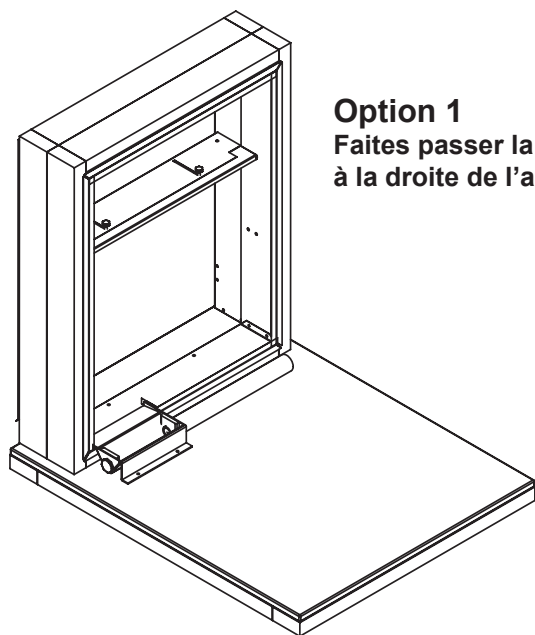


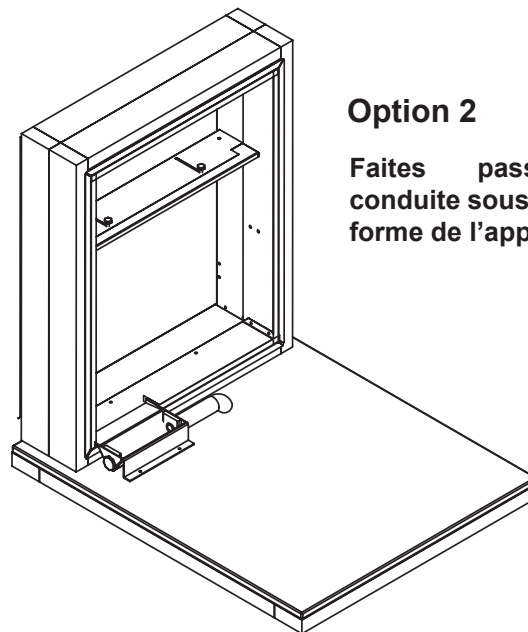
Figure 14

## ÉTAPE 5: INSTALLATION DE LA CONDUITE D'ÉVACUATION

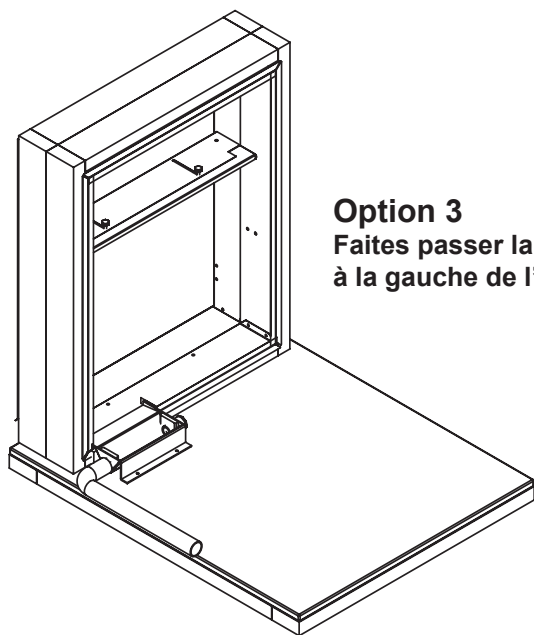
Les figures ci-dessous illustrent les différentes options pour l'emplacement de la conduite de condensat. Choisissez celle qui convient le mieux à votre installation. N'installez jamais la conduite de condensat de la manière indiquée à l'option 4, car elle serait en contact avec les isolateurs qui se trouvent sous l'appareil.



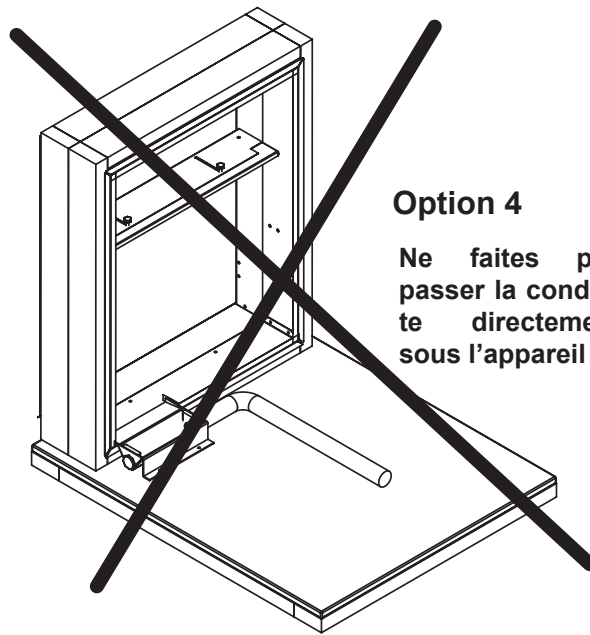
**Option 1**  
Faites passer la conduite  
à la droite de l'appareil



**Option 2**  
Faites passer la  
conduite sous la plate-  
forme de l'appareil



**Option 3**  
Faites passer la conduite  
à la gauche de l'appareil



**Option 4**  
Ne faites pas  
passer la condui-  
te directement  
sous l'appareil

**IMPORTANT:** Le bac d'égouttement et la conduite d'évacuation doivent être exempts de saleté. Avant la mise en place de l'appareil, assurez-vous qu'ils ne comportent aucune obstruction.

## Système d'évacuation de condensat

Ce système améliore le rendement énergétique grâce à un ventilateur (installé en usine) qui pulvérise le condensat sur l'échangeur extérieur chaud.

Lorsque le taux d'humidité extérieur est très élevé et que le ventilateur ne peut utiliser tout le condensat, l'excédent s'écoule dans le bac d'égouttement et est évacué vers le drain.

NOTE : Lorsque le système d'évacuation ne parvient plus à éliminer tout le condensat de l'appareil, l'excédent est évacué par un trop-plein situé à l'arrière de l'appareil et est dirigé à travers le plénum vers l'extérieur du bâtiment. C'est un signe que l'appareil ou le drain nécessite l'intervention d'un technicien.



## AVERTISSEMENT



### Pièces mécaniques dangereuses

Coupez l'alimentation électrique avant de toucher à cet élément.

Le ventilateur peut démarrer automatiquement.

Ignorer cet avertissement peut entraîner des dommages matériels, ainsi que des blessures pouvant être fatales.

## Installation de la grille de reprise d'air intérieur

Il existe deux types de grilles de reprise d'air, comme l'indique la figure 15. Choisissez l'option qui répond le mieux à vos besoins. Pour l'installation, consultez les instructions livrées avec les accessoires.

### Figure 15

#### Grilles de reprise d'air

NOTE : Tous les appareils Vert-I-Pak sont livrés avec un filtre 20 po x 14 po installé. Si vous utilisez un porte-filtre optionnel, vous DEVREZ retirer le filtre standard du boîtier.

#### Option 1

##### Panneau d'accès VPRG4 avec grille de reprise d'air

Un filtre (25 po x 20 po) fourni sur place est monté sur un panneau d'accès à charnières.

L'ensemble comprend des ferrures d'articulation pour l'installation du panneau, grille en haut ou en bas, pour une meilleure insonorisation.

Sur les modèles 24000 Btu/h, il est recommandé d'installer le panneau avec les charnières à gauche et la grille en bas.



#### Option 2

##### Grille de reprise d'air fournie sur place

Elle doit avoir une surface d'ouverture d'au moins 1613 cm<sup>2</sup>.



#### NOTE :

Pour la reprise d'air, Friedrich recommande certains agencements de grilles, filtres et panneaux d'accès. Pour d'autres types d'agencements, veuillez nous consulter.

Tout dispositif de reprise d'air incorrect pourrait compromettre les performances de l'appareil.

Les illustrations montrent le panneau d'accès à l'avant de l'appareil, mais il peut aussi être installé sur l'un des côtés.

## Réseau de conduits d'air

Le dimensionnement des conduits de distribution d'air doit être basé sur des méthodes reconnues, comme la méthode d'égal frottement ou de réduction des vitesses, au moyen des calculateurs correspondant au type de conduit utilisé (par ex. conduits métalliques, en panneaux ou flexibles). Le réseau de conduits doit être conçu pour un coefficient de frottement de 0,40 po de colonne d'eau, en prenant en compte tous les raccords, les registres et/ou les diffuseurs. NE PAS faire fonctionner l'appareil sans conduits de distribution d'air.

Sur tous les appareils Vert-I-Pak Série « A », la reprise d'air NE DOIT PAS s'effectuer au moyen de conduits, mais en libre circulation.

## Données sur le débit d'air intérieur

On peut déterminer le débit d'air intérieur en mesurant la pression statique externe (PSE) du réseau de conduits d'air au moyen d'un manomètre à tube incliné ou d'un manomètre Magnehelic, puis en consultant le tableau A.

Le débit d'air nominal de chaque appareil est établi à 0,10 po de col. d'eau lorsqu'il fonctionne avec un filtre propre et une batterie sèche (par ex. en mode chauffage), à la vitesse recommandée sous 230 Volts. Appliquez les coefficients de correction du tableau B pour obtenir le débit exact selon les conditions proposées. Un appareil Vert-I-Pak ne doit en aucun cas être utilisé à une pression statique externe de plus de 0,40 po de col. d'eau. Dans ces conditions, le débit d'air serait inacceptable et occasionnerait une baisse des performances et/ou une défaillance prématurée des éléments du système.

Pour un fonctionnement à BASSE vitesse, la borne de sortie du ventilateur dans le thermostat doit être reliée à la borne GL du contrôleur. Pour un fonctionnement à HAUTE vitesse, la borne de sortie du ventilateur dans le thermostat doit être reliée à la borne GH du contrôleur. Dans les thermostats autorisant deux vitesses de ventilateur, connectez la sortie BASSE vitesse à la borne GL et la sortie HAUTE vitesse à la borne GH. (Voir page 16, figure 18)

	Modèle	
	VEA24/VHA24	
ESPSE	Basse	Haute
0,00 po	690	740
0,10 po	610	700
0,20 po	560	640
0,30 po	510	580
0,40 po	450	520

Les données surlignées correspondent aux valeurs nominales.

Pour les thermostats à ventilation mono-vitesse connectez à la borne GL pour basse vitesse ou à la borne GH pour haute vitesse. Pour les thermostats à ventilation deux vitesses, utilisez les deux bornes.

## Installation de l'appareil

- Assurez-vous que le plénum mural est installé conformément aux instructions du manuel de montage du VPAWP1-8/1-14.
- Assurez-vous que le bac d'égouttement VPDP1 est installé correctement (Voir figure 16). Condamnez le raccord d'évacuation non utilisé au moyen du bouchon de 3/4 po fourni avec le bac d'égouttement. Connectez la conduite d'évacuation au drain libre. Utilisez du ruban Téflon ou une pâte à joint adéquate sur tous les raccords et les bouchons (Voir figure 16).
- Installez l'appareil dans le local technique, le côté extérieur tourné vers l'ouverture du plénum.

- Engagez l'appareil dans le plénum jusqu'à ce que la jonction avec le séparateur du plénum soit parfaite et que le joint d'étanchéité de l'appareil soit parfaitement en contact avec le rebord supérieur du plénum (Voir figure 16).

**ATTENTION**



**Poids excessif**

L'installation du système de conditionnement d'air requiert au moins deux personnes. Négliger cette précaution peut entraîner des blessures.

**ATTENTION**

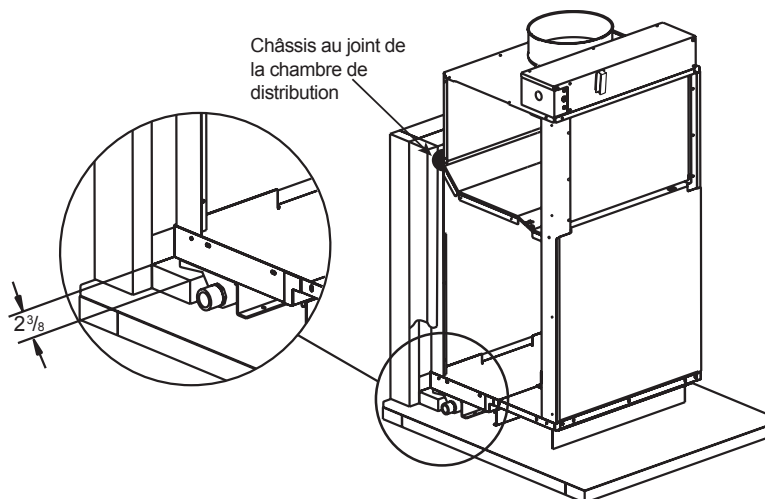


**Risque de coupures graves**

Certaines arêtes peuvent être acérées. Utilisez des gants de travail, ou autre protection, lors de la manipulation de cet appareil. Négliger cette précaution peut entraîner des blessures mineures à modérées.

**Figure 16**

### Détail de l'installation du boîtier



Le boîtier du Vert-I-Pak doit s'insérer dans le plénum mural de manière à ce que le joint du séparateur de ce dernier soit parfaitement en contact avec le déflecteur en plastique du condenseur de l'appareil. Le boîtier de l'appareil doit être enfoncé d'environ 6 cm dans le plénum mural.



# Connexions du thermostat à distance et des commandes basse tension

## Thermostat à distance

Tous les appareils Vert-I-Pak de Friedrich ont été configurés pour être commandés à distance par un thermostat mural pour une gestion chauffage/climatisation mono-étage. La commande de permutation peut être automatique ou manuelle dans la mesure où la configuration des commandes correspond à celle du Vert-IPak.

### Pour effectuer les connexions du thermostat:

1. Coupez l'alimentation électrique.
2. Dévissez et retirez le couvercle du panneau de commandes.
3. Après avoir choisi un côté pour l'arrivée des fils du thermostat, amenez les fils par l'ouverture latérale du boîtier de commandes jusqu'aux bornes de branchement.
4. Effectuez les branchements en vous aidant du schéma de câblage.
5. Une fois les branchements correctement effectués, votre appareil est prêt à fonctionner.
6. Refermez le couvercle du panneau de commandes.

## Connexions pour interrupteur secondaire

Les Vert-I-Pak de Friedrich offrent la possibilité de raccorder un interrupteur externe pour commander l'alimentation électrique de l'appareil. Il peut s'agir aussi bien d'un système de contrôle centralisé que d'un simple contacteur de porte normalement ouvert.

Pour utiliser cette option, raccordez un côté de l'interrupteur à la borne D1 et l'autre à la borne D2 (voir figure 17). La fermeture de l'interrupteur entraîne l'arrêt de l'appareil.

**NOTE :** Le système de contrôle secondaire et les interrupteurs doivent être fournis sur place.

## Longueur de fil maximale pour interrupteur secondaire

Calibre de fil	Longueur maximale
#24	122 m
#22	183 m
#20	274 m
#18	457 m
#16	610 m

## Connexions du thermostat

- R = Alimentation 24V par le système  
Y = Demande de climatisation  
W = Demande de chauffage  
B = Vanne d'inversion activée en mode chauffage  
GL = Demande de ventilation (basse vitesse)  
GH = Demande de ventilation (haute vitesse)  
C = Mise à la terre commune

## AVERTISSEMENT

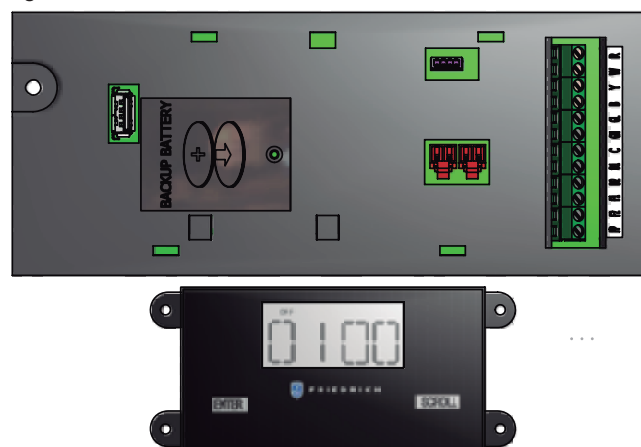
Risque d'électrocution

Tout défaut dans le branchement des commandes du thermostat et toute modification du câblage interne du système de conditionnement d'air annuleraient la garantie de ce dernier et pourraient entraîner des dommages

LSur les appareils d'autres marques et même sur les anciens modèles de Friedrich, le câblage des commandes peut comporter des différences. Pour obtenir des précisions sur le câblage, s'adresser directement au fabricant.

### Panneau de commandes

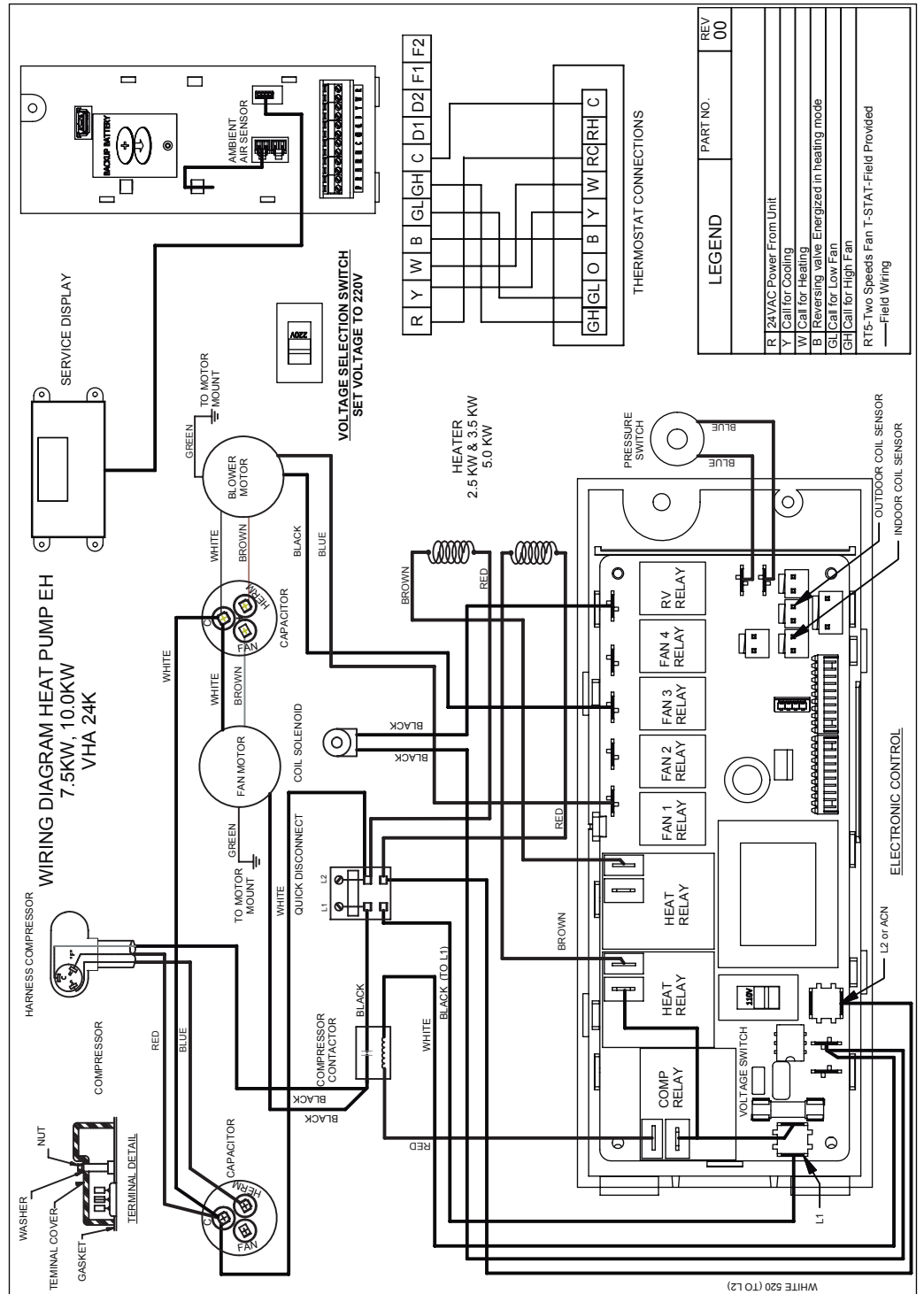
Figure 17



**Figure 18**  
**Schéma de câblage**



RT6  
THERMOSTAT  
(FRONT)




**IMPORTANT:** LE DIAGRAMME CI-DESSUS ILLUSTRE LE CÂBLAGE TYPIQUE DU THERMOSTAT POUR L'OPÉRATION DU VENTILATEUR À DEUX VITESSES. CONSULTEZ LE PANNEAU DE CONTRÔLE DE L'UNITÉ POUR LE DIAGRAMME DE CÂBLAGE CORRECT ET SCHÉMATIQUE DE L'UNITÉ.

## Dernières opérations de raccordement de l'appareil

### L'appareil étant en place, vous pouvez procéder aux derniers raccordements

- A. Réglez le thermostat sur « OFF » et « AUTO ». Ceci l'empêchera de mettre l'appareil en marche avant la fin des opérations de raccordement.
- B. Raccordez le conduit d'air au collet de 10 po. Il est conseillé d'utiliser des colliers de serrage en plastique (fournis sur place) pour maintenir le conduit en place. Pour un manchon de conduit d'air flexible, utilisez un collier de serrage à chaque extrémité.
- C. Consultez la liste de vérification de l'installation finale avant de remettre en place l'interrupteur de sûreté, de rétablir l'arrivée de courant à l'appareil ou de mettre en marche ce dernier.

 <b>AVERTISSEMENT</b>	
	<p><b>Risque d'électrocution</b></p> <p>Retirez l'interrupteur de sûreté situé à l'avant de l'appareil et coupez toute arrivée de courant à l'appareil avant chaque intervention de service.</p> <p>Négliger cette précaution peut entraîner des dommages matériels ou des blessures pouvant être fatales.</p>

### Liste de vérification finale

- Vérifier que tous les éléments et les accessoires ont été correctement installés et qu'ils n'ont pas été endommagés au cours de l'installation.
- Vérifier que les distances de dégagement autour de l'appareil ont bien été respectées.
- S'assurer que le filtre à air de l'appareil et les serpentins, intérieur et extérieur, sont libres de toute obstruction.
- Vérifier que les disjoncteurs ou les fusibles et l'ensemble du câblage fourni sont d'une puissance convenable.
- S'assurer que le drain (ou les drains) est adéquat pour l'évacuation de l'eau de condensat et qu'il a été approuvé par l'utilisateur final.
- S'assurer que l'ensemble de l'installation répond aux exigences des codes en vigueur et à toute réglementation applicable.
- Fermer tous les panneaux d'accès (panneau frontal, tableau de commandes, etc), puis mettre l'appareil sous tension et le mettre en marche. Vérifier le bon fonctionnement à tous les modes. Décrire au propriétaire ou à l'opérateur le mode d'emploi de l'appareil et fournir les recommandations concernant l'entretien périodique.

**NOTE:** Conseillez au propriétaire ou à l'opérateur de tenir un registre des opérations d'entretien et des réparations.

Remettez au propriétaire ou à l'opérateur le manuel d'installation et d'utilisation de l'appareil et les instructions d'installation de tous les accessoires ainsi que l'adresse et le numéro de téléphone de l'entreprise de service, agréée par Friedrich, la plus proche.

## Fonctionnement de l'appareil

### Le système « Fresh Air Door »

Il s'agit du système de renouvellement d'air. Son ouverture s'effectue par le coulissement d'une trappe située à l'avant du boîtier de l'appareil, juste au-dessus du serpentin intérieur. Faites glisser la trappe vers la gauche pour l'ouvrir et vers la droite pour la fermer. Ce système peut fournir jusqu'à 80 pi<sup>3</sup>/min d'air neuf à une pression statique externe d'environ 3 po H<sub>2</sub>O.

### Coupure basse ambiance du compresseur

Chaque appareil est équipé d'une thermistance assurant une protection contre les basses températures ambiantes.

Ceci empêche le compresseur de fonctionner à une température d'aspiration trop basse.

### Prévention du gel

Cette fonction permet la surveillance de la température intérieure et si celle-ci descend en dessous de 4,4 °C (40 °F), l'appareil mettra en marche la ventilation à haute vitesse et le chauffage électrique. Cette protection est opérationnelle à tous les modes.

# L'entretien et la garantie

## Entretien et remplacements rapides

L'appareil a été conçu pour faciliter la déconnexion et le remplacement des pièces. Pour de petites interventions sur le circuit électrique, il suffit de retirer l'interrupteur de sûreté et de dévisser le couvercle du tableau de commandes avant de le relever vers le haut. Pour des interventions plus importantes (système de réfrigération ou ventilateur), l'appareil peut être sorti du local technique.

 <b>AVERTISSEMENT</b>	
	<b>Risque d'électrocution</b> Retirez l'interrupteur de sûreté situé à l'avant de l'appareil et coupez toute arrivée de courant à l'appareil avant chaque intervention de service. Négliger cette précaution peut entraîner des dommages matériels ou des blessures pouvant être fatales.

## Entretien périodique

Un entretien adéquat et régulier assurera un fonctionnement économique et fiable de votre appareil.

Vous pouvez effectuer aisément les opérations d'entretien en vous aidant des instructions suivantes. Toutefois, prenez connaissance de l'AVERTISSEMENT ci-dessus avant de commencer.

 <b>ATTENTION</b>	
	<b>Risque de coupures graves</b> Certaines arêtes peuvent être acérées. Utilisez des gants de travail, ou autre protection, lors de la manutention de cet appareil. Négliger cette précaution peut entraîner des blessures mineures à modérées.

## Remplacement du filtre à air

Un filtre encrassé réduit l'efficacité du Vert-I-Pak et entraîne l'accumulation de charpie et de saleté sur le serpentin d'air intérieur. Ceci peut endommager votre appareil. Un filtre à air encrassé doit impérativement être remplacé.

Pour remplacer le filtre de reprise d'air (monté sur l'appareil) :

1. Sortir le filtre de ses glissières.
2. Jeter le filtre usé.
3. Installer un filtre neuf.

**NOTE : NE JAMAIS FAIRE FONCTIONNER L'APPAREIL SANS SON FILTRE NI OBSTRUER LA GRILLE DE REPRISE D'AIR À L'AVANT DE L'APPAREIL.**

## Pour sortir l'appareil du local technique:

- A. Réglez le thermostat mural sur « OFF » (Arrêt).
- B. Retirez l'interrupteur de sûreté à l'avant de l'appareil.
- C. Coupez l'alimentation en fermant le disjoncteur d'alimentation au tableau électrique principal.
- D. Déconnectez le câble d'alimentation.
- E. Déconnectez le conduit d'air.
- F. Dégagez l'appareil du plénum mural en tirant.
- G. Faites sortir l'appareil du local technique en le soulevant.

## Inspection et nettoyage du serpentin d'air intérieur

Il peut arriver que de petites quantités de charpie et de saleté traversent le filtre et se déposent sur le serpentin. On peut éliminer ces accumulations mineures délicatement avec la brosse d'un aspirateur. Il faut éviter d'écraser les ailettes en aluminium du serpentin. Les ailettes déformées peuvent être redressées au moyen d'un outil spécial disponible chez la plupart des fournisseurs de matériel de chauffage-réfrigération.

## Inspection de l'entrée et de la sortie d'air extérieur

L'admission et le rejet d'air extérieur doit demeurer libre. Vérifiez la sortie d'air fréquemment et empêchez toute accumulation de débris, de neige ou de glace. Évitez également toute obstruction de l'entrée d'air. Toute obstruction à la circulation de l'air réduira l'efficacité de votre appareil et pourrait endommager celui-ci.

## Inspection et nettoyage du drain de condensat

Le drain de condensat doit être raccordé à un système d'évacuation adéquat. Assurez-vous régulièrement que l'eau de condensation s'écoule librement. Toute accumulation de corps étrangers dans la tuyauterie d'évacuation doit être éliminée. De plus, toute la conduite

## Garantie

Toute intervention de service sous garantie doit être effectuée par une entreprise agréée. Prenez connaissance des termes de la garantie et consultez votre fournisseur ou votre entrepreneur pour plus de détails.

## Tests et diagnostic par codes d'erreur

### Analyse des codes d'erreur

Le contrôleur VPAK surveille en continu le fonctionnement du Vert-I-Pak et enregistre les codes d'erreurs en cas d'anomalie. Dans certains cas, le contrôleur mettra l'appareil à l'arrêt jusqu'à ce que le problème soit résolu.

Pour accéder au menu code d'erreur, appuyez sur la touche **"ENTRER"**. Si les codes d'erreur sont présents, sont répertoriés. S'il ya plusieurs codes, vous pouvez basculer les codes d'erreur avec **"SCROLL"** sur le bouton. Pour effacer tous les codes de la presse sur le bouton **"ENTRER"** et **"SCROLL"** pendant trois secondes alors que le changement dans la manière des codes d'erreur. Pour sortir sans perdre cliquez sur les codes **"LOW FAN"**.

# Codes d'erreur et état d'alarme

Panneau de commandes de l'appareil

L'écran illustré plus bas affiche quatre chiffres. Les deux de gauche servent aux codes d'erreur (01 à 24). L'état actuel d'une erreur est indiqué par les témoins OFF ou ON au-dessus de ces deux chiffres. Les deux chiffres de droite dénombrent (jusqu'à 99) l'historique du code d'erreur affiché. Un témoin (clé) s'allume quand il devient nécessaire de faire la maintenance de l'appareil.



### Vérification des codes d'erreur

1. Appuyer sur le bouton ENTER pour activer l'affichage.
2. Chaque pression sur le bouton de défilement SCROLL affiche le code suivant.







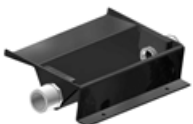
### Mise à zéro de l'historique

1. Appuyer simultanément sur les boutons ENTER et SCROLL pendant ~ 6 secondes.

Code d'erreur	Problème	Action
1	Bouton sur le panneau avant bloqué durant plus de 20 secondes	Poursuivre en surveillant l'indication « OPEN (ouverture) » (déblocage) concernant l'interrupteur. Ne pas traiter l'entrée relative à l'interrupteur.
2	Tension d'entrée hors spécification (103 - 127 / 187 - 253)	L'unité s'arrête; ouvrir les relais jusqu'à ce que la tension soit conforme aux spécifications, puis remettre en marche.
3	Le circuit de la sonde de température intérieure est ouvert ou en court-circuit	L'unité fonctionne par défaut à 24 °C (75 °F) en mode REFROIDISSEMENT ou à 20 °C (68 °F) en mode CHAUFFAGE et continue à fonctionner.
4	Le circuit de la sonde de température de serpentin intérieur est ouvert ou en court-circuit	Le tableau de commande de l'unité passe à la température par défaut de 4 °C (40 °F). Il y a contournement de la sonde et l'unité continue à fonctionner.
5	Le circuit de la sonde de température de serpentin extérieur est ouvert ou en court-circuit	L'unité passe à la température par défaut de -7 °C (20 °F), en contournant la sonde. L'unité continue à fonctionner. En mode CHAUFFAGE, elle fonctionne à l'électricité le cas échéant. En l'absence d'électricité, elle fonctionne en mode POMPE À CHALEUR si la température extérieure le permet.
6	Température de serpentin extérieur > (supérieure à) 79 °C (175 °F)	L'unité s'arrête pendant 5 minutes, puis se remet en marche durant 3 minutes. Au bout de 3 tentatives infructueuses, la gravité du défaut est suffisante pour que l'unité soit mise hors service, avec verrouillage.
7	Température de serpentin intérieur < (inférieure à) -1 °C (30 °F) durant 2 minutes consécutives	Le compresseur s'arrête et le ventilateur fonctionne à haute vitesse. Lorsque la température de serpentin atteint 7 °C (45 °F), l'unité se remet en marche après expiration de la durée de verrouillage.
8	Le nombre de cycles de fonctionnement de l'unité est > (supérieur à) 9 par heure	L'unité continue à fonctionner et à faire l'objet d'une surveillance.
9	Le nombre de cycles de fonctionnement de l'unité est < (inférieur à) 3 par heure	L'unité continue à fonctionner et à faire l'objet d'une surveillance.
10	Protection contre le gel dans la pièce	À utiliser uniquement lorsqu'on dispose d'un chauffage électrique. Faire fonctionner sur Haute vitesse et Chauffage électrique jusqu'à ce que la température de la pièce atteigne 8 °C (46 °F). L'unité affiche « FRZ » lorsqu'elle fonctionne.
11	Problème de thermostat mural (WallStat) ou défaut de raccordement	L'appareil ne fonctionnera pas.
12	Sans objet	Sans objet
13	Le manostat de limite haute est ouvert	Lorsque l'unité fonctionne en mode refroidissement ou que la pompe à chaleur est en marche, le compresseur s'arrête. Faire fonctionner le ventilateur à haute vitesse jusqu'à ce que le manostat se ferme puis remettre en marche. Lorsque le manostat s'est ouvert 3 fois en 1 heure, l'unité se verrouille hors service. S'applique seulement à l'unité de 24k.
14	Sans objet	Sans objet
15	Erreur Pompe à chaleur	Lorsque la température de serpentin intérieur demeure inférieure à la température ambiante pendant 3 minutes, l'unité répond à la demande de chauffage en utilisant l'électricité.
16	Température au-delà des limites de fonctionnement	Cette situation se produit lorsque la température ambiante descend sous -18 °C (0 °F) ou dépasse 54 °C (130 °F). Le code d'erreur demeure affiché jusqu'à ce que la température revienne dans la plage de service; l'unité se remet ensuite à fonctionner normalement.
17	La configuration de l'équipement ne correspond pas au minimum exigé	Le compresseur doit être activé et le ventilateur doit pouvoir fonctionner au moins à 2 vitesses.
18	Sans objet	Sans objet
19	Sans objet	Sans objet
20	Sans objet	Sans objet
21	Sans objet	Sans objet
22	Température de serpentin extérieur < (inférieure à) -1 °C (30 °F) durant 2 minutes consécutives	L'unité répond à la demande de chauffage en utilisant l'électricité jusqu'à ce que la température soit supérieure ou égale à 7 °C (45 °F). S'applique uniquement aux modèles avec pompe à chaleur.
23	Protection contre le gel	L'unité fonctionne en mode dégivrage actif au moins 6 minutes lorsque la durée de fonctionnement de la pompe à chaleur est supérieure à 60 minutes et que la température de serpentin extérieur est égale ou inférieure à -3 °C (26 °F).
24	Sans objet	Sans objet



## Accessoires

MODÈLE	LA DESCRIPTION	PHOTO
VPAWP1-8	<b>PLÉNUM MURAL</b> deux parties manchon télescopes dans et hors de 13.97 mm à 20.32 mm en profondeur. Le plénum de la paroi se trouve à l'intérieur de la pénétration du mur extérieur. DIMENSIONS: 77.15 mm de haut x 61.27 mm de large. DIMENSIONS DÉCOUPE: 78.42 mm de haut x 62.54 mm de large.	
VPAWP1-14	Identique à VPAWP1-8, mais télescopes 20.32 mm à 35.56 mm selon les besoins.	
VPAL2	<b>GRILLE À PERSIENNES</b> aluminium extrudé persienne qui se fixe à la section extérieure du plénum de mur. DIMENSIONS: 78.89 mm de haut x 64.92 mm de large.	
VPSC2	Identique à VPAL2 mais peut être commandé dans une couleur spéciale pour correspondre à la paroi extérieure.	
RT6	<b>THERMOSTAT MURAL NUMÉRIQUE</b> thermostat monocellulaire DIGITAL, utilisé sur VERT-I-PAK units. Hard ventilateur à vitesse unique filaire. Remplacement direct pour RT2.	
WRT1	<b>THERMOSTAT NUMÉRIQUE</b> sans fil, à un seul étage, thermostat mural avec deux vitesses de ventilation. Caractéristiques Écran rétroéclairé et plusieurs modes de configuration.	
	<b>FRIEDRICHLINK® GESTION DE L'ÉNERGIE THERMOSTAT</b> Capteur intégré oc-occupation utilise une combinaison de technologies de mouvement et de détection thermique pour la détection précise d'occupation. la détection d'occupation fiable permet des économies d'énergie lorsque les chambres sont occupées. presets d'économie d'énergie éliminent la conjecture et il est facile de régler les paramètres d'économie d'énergie.	
EMWRT1	Thermostat sans fil avec capteur d'occupation.	
EMRT1	Thermostat filaire avec capteur d'occupation.	
VPRG4	<b>PANNEAU D'ACCÈS / GRILLE DE REPRISE D'AIR</b> - Sert un panneau d'accès au châssis et au retour intérieur air grille. A 63.5 mm x 50.8 mm) filtre de champ fourni est monté à l'intérieur de la porte d'accès à charnière. Le kit contient Charnière support pour le montage de la porte avec les ouvertures de retour d'air haute ou basse sur la porte pour optimiser l'atténuation sonore. Pour 9.000 / 12.000 / 18.000 modèles Btu, il est recommandé d'installer la porte avec la charnière sur le côté droit et les ouvertures de retour d'air élevé sur la porte. Pour 24.000 modèles Btu, il est recommandé d'installer la charnière sur le côté gauche avec les ouvertures basses sur la porte de retour d'air. DIMENSIONS: 147.32 mm haut x 73.66 mm large. DIMENSIONS DÉCOUPE: 414.60 mm de haut x 68.58 mm large.	
VPDP1	<b>Pan de Vidange</b> Pan de vidange peut être installé avant le châssis pour faciliter l'installation / retrait.	



Friedrich Air Conditioning Company

10001 Reunion Place, Suite 500

San Antonio, Tx 78216

1-800-541-6645

www.friedrich.com

## GARANTIE LIMITÉE SYSTÈME DE CONDITIONNEMENT D'AIR MONOBLOC VERTICAL VERT-I-PAK SÉRIE A

**VEUILLEZ CONSERVER CE CERTIFICAT.** La présente garantie vous donne des droits spécifiques mais il se peut que vous ayez d'autres recours selon votre province de résidence.

Dans le cas où votre appareil nécessiterait une réparation, veuillez contacter le centre de service agréé le plus proche. Si vous ne connaissez pas de centre de service dans votre secteur, informez-vous auprès de l'entreprise qui a installé votre système ou contactez-nous (voir adresse et numéro de téléphone ci-dessus). En cas de défectuosité de l'appareil pendant la période de garantie, vous devez avertir le centre de service, distributeur, revendeur ou installateur agréé par FRIEDRICH Air Conditioning Co. pour bénéficier d'une réparation et/ou du remplacement des pièces couvertes par la garantie.

**Avant une requête de service,** veuillez vous munir de la désignation du modèle et du numéro de série de votre appareil.

**Sous réserve de toute autre indication apportée aux présentes,** les conditions suivantes s'appliquent.

### SYSTÈMES DE CONDITIONNEMENT D'AIR ET THERMOPOMPES FRIEDRICH VERT-I-PAK SÉRIE A

**GARANTIE LIMITÉE – PREMIÈRE ANNÉE (Douze (12) mois à compter de la date d'installation).** Toute pièce présentant un défaut de matériau ou de main d'oeuvre sera réparée ou remplacée sans frais par notre centre de service agréé pendant les heures normales d'ouverture; et

**GARANTIE LIMITÉE – DEUXIÈME À CINQUIÈME ANNÉE (Soixante (60) mois à compter de la date d'installation).** Toute pièce du **SYSTÈME DE RÉFRIGÉRATION SCÉLLÉ** présentant un défaut de matériau ou de main d'oeuvre sera réparée ou remplacée sans frais (à l'exception des frais de transport) par notre centre de service agréé pendant les heures normales d'ouverture. Le système de réfrigération scéllé comprend le compresseur, le régulateur, l'évaporateur, le condenseur, la vanne d'inversion, le clapet anti-retour et les conduites d'interconnexion.

**Ces garanties ne s'appliquent qu'aux appareils se trouvant sur leur site d'installation initiale, aux États-Unis d'Amérique incluant l'Alaska et Hawaï, à Puerto Rico, au Mexique et au Canada. La garantie n'est effective que si l'appareil a été installé et utilisé selon les instructions du manuel, conformément au code d'installation et au code du bâtiment en vigueur et dans les règles de l'art. Pour toute information concernant la garantie dans d'autres pays, veuillez contacter Friedrich Air Conditioning Company – International Division.**

Toute pièce défectueuse devant être remplacée doit être mise à la disposition de FRIEDRICH en échange de la pièce de rechange. Elle doit être accompagnée d'une preuve susceptible de déterminer la date d'installation initiale, à défaut de quoi la date du présent certificat, majorée de soixante jours, sera considérée comme étant la date de livraison de l'équipement. Les pièces de rechange peuvent être neuves ou reconditionnées. Les pièces de rechange et leur installation ne sont garanties que pour la période restante de la garantie de l'appareil.

Ne sont pas à notre charge mais à celle de l'utilisateur :

1. Les frais de service pour :
  - A) Toute information sur le mode d'emploi de l'appareil. B) Le remplacement des fusibles du bâtiment ou une modification de son installation électrique. C) Le nettoyage ou le remplacement des filtres à air. D) Le déplacement de l'appareil lorsque l'accès est insuffisant pour les opérations de service E) La correction de tout défaut d'installation.
2. Les pièces et la main d'oeuvre non fournies par l'un de nos centres de service agréés.
3. Les dommages résultant :
  - A) D'un accident, un usage abusif, une négligence, une mauvaise utilisation, une émeute, un incendie, une inondation ou une catastrophe naturelle. B) De l'utilisation de l'équipement dans une atmosphère corrosive contenant du chlore, du fluor ou tout autre produit chimique hostile (non habituel dans un environnement domestique). C) De toute modification ou réparation non autorisée de l'appareil, compromettant sa stabilité ou ses performances. D) D'une négligence des travaux d'entretien ou de service. E) De l'utilisation d'une alimentation électrique inadéquate. F) D'une mauvaise installation ou d'une application erronée de l'appareil.

**Nous ne pourrions être tenus responsables des dommages directs, indirects ou particuliers, ni des dépenses ayant un rapport quelconque avec l'utilisation ou une défaillance de cet appareil. Nous n'avons fait ni ne faisons aucune déclaration ou garantie de conformité pour un usage ou une finalité particulière et il n'existe aucune condition implicite de conformité pour un usage ou une finalité particulière. Nous n'ajoutons aucune garantie expresse à ce qui est stipulé sur le présent certificat. Nul n'est autorisé à modifier ce certificat ni à nous attribuer d'autres obligations ou responsabilités en rapport avec ce produit. Toute garantie implicite sera valide pour un an à compter de la date d'achat.** Certaines provinces n'autorisent aucune restriction sur la durée des garanties limitées et des conditions. Si c'est votre cas, les restrictions ou exclusions ci-dessus pourraient ne pas s'appliquer. Les clauses de cette garantie s'ajoutent aux garanties et aux droits et recours prévus par la loi sans les modifier ni les restreindre.

En cas de contestation visant les termes de la présente garantie, la version anglaise aura préséance.







**FRIEDRICH AIR CONDITIONING CO.**

10001 Reunion Place, Suite 500

San Antonio, Tx 78216

1-800-541-6645

[www.friedrich.com](http://www.friedrich.com)