

Installation Instructions

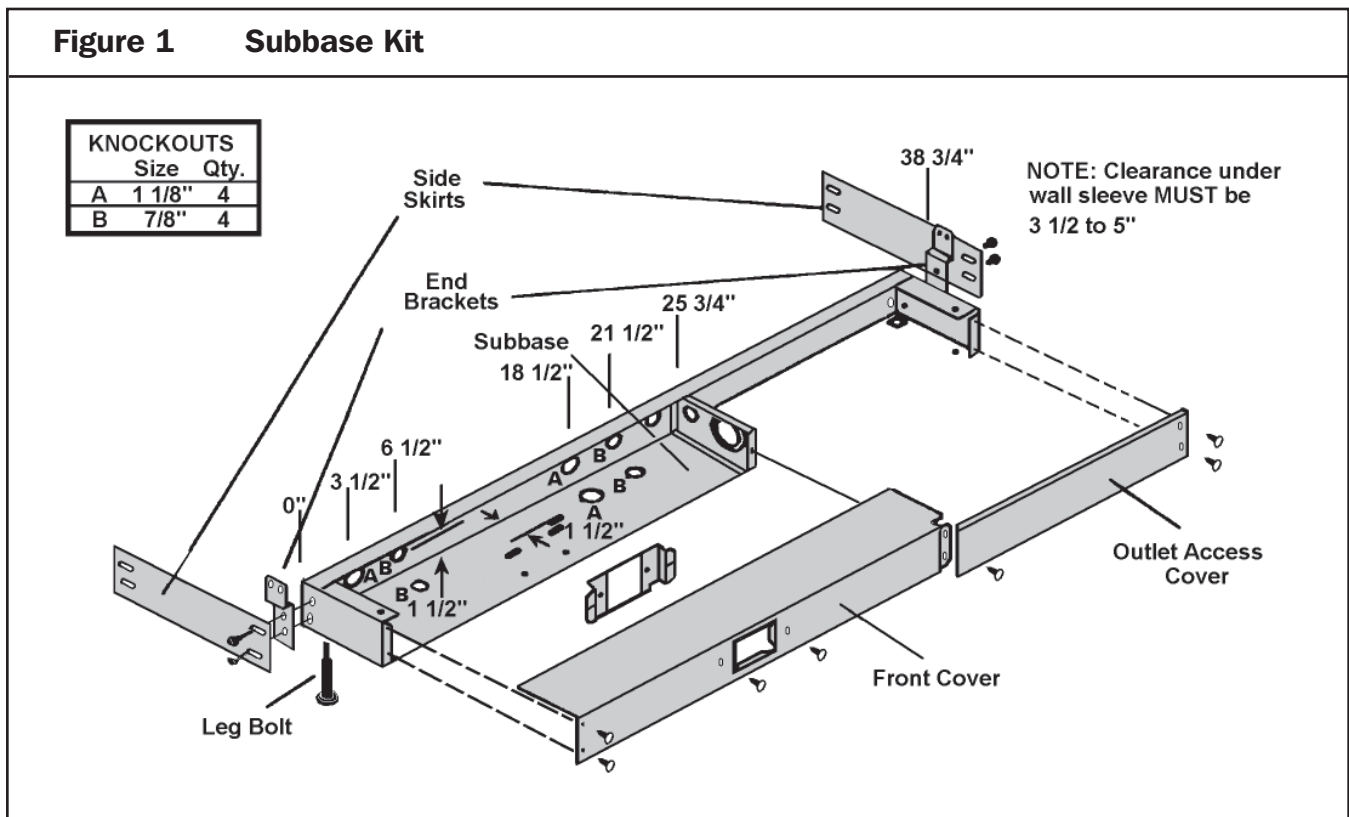
SUBBASE KIT

For Use With Packaged Terminal Units

Please read these instructions completely before attempting installation.

NOTE: Make sure the subbase is the correct model for the chassis and sleeve that will be installed. Refer to Chassis Installation / Operation Manual and Wall Sleeve Installation Instructions for additional information.

Check box for parts listed in **Figure 1**.



WARNING

Electrical shock hazard.

Disconnect all power at the unit and at the main disconnect box.

Failure to do so can result in personal injury, property damage, and/or death.

NOTE: All electrical work **must** conform to local codes and ordinances, the national electrical code, **ANSI/NFPA NO. 70-1993** or current edition, and in Canada, the Canadian electrical code **PART I, CSA STANDARD C22.1-1993** or current edition.

1. Remove the chassis from the wall sleeve. Refer to the Chassis Installation and Operation Instructions for more information.
2. Install any brackets, receptacles, switches, circuit breakers, or conduit needed. Refer to separate instructions included with the kit being installed.

3. Attach the end brackets to the subbase. Refer to Figure 2.
4. Refer to Figure 2 and set the subbase under the wall sleeve as shown.
5. Turn the leg bolts until the subbase makes contact with the wall sleeve. Properly align the subbase as shown in Figure 2.
6. Using the end brackets as a template, punch and drill the necessary holes in the wall sleeve.
7. Remove the end brackets. Leave the subbase in place.
8. With the subbase in proper place under the wall sleeve, measure from the center of the screw holes to the wall as shown in Figure 3. Note this measurement.

NOTE: The next steps require you to make permanent modifications to the decorative side skirts. The modifications are for **LEFT** and **RIGHT** sides of the side skirts and the skirts will not be interchangeable after modification.

9. Transfer your previous measurement from step 8 to the left and right side skirts as shown in Figure 3.

NOTE: Round the measurement **DOWN** to the closest score mark. Example: Measurement was 7.; use the score mark that is at 6-7/8".

10. Using tin snips or other appropriate cutting tool, cut the skirts along the scored marks.
11. Reattach the end brackets and side skirts to the subbase. Adjust the side skirts until they touch the wall. Tighten the screws.
12. Adjust the leg bolts as needed to level the wall sleeve.
13. Make the appropriate electrical connections inside the subbase according to your particular installation and any included directions.
14. Attach the front cover.
15. Reinstall the chassis according to Chassis Installation and Operation Instructions.
16. Attach the outlet access cover.

Friedrich

FRIEDRICH AIR CONDITIONING CO. INC.
 Post Office Box 1540 | San Antonio, Texas 78295-1540
 4200 N. Pan Am Expressway | San Antonio, Texas 78218-5212
 (210) 357-4400 | FAX (210) 357-4480
 Visit us on the Internet at www.friedrich.com
 Printed in the U.S.A.

Figure 2 Subbase Alignment

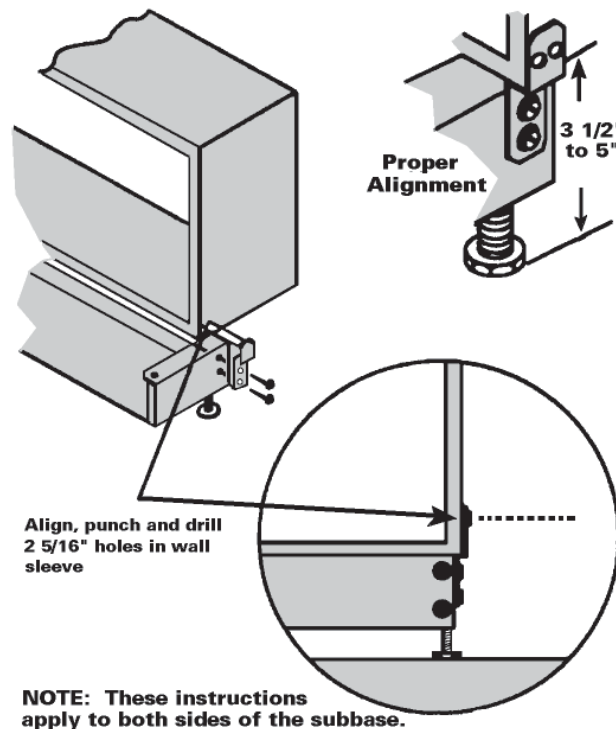


Figure 3 Subbase Alignment

