



Installation Instructions

Lateral Duct Accessory Kit

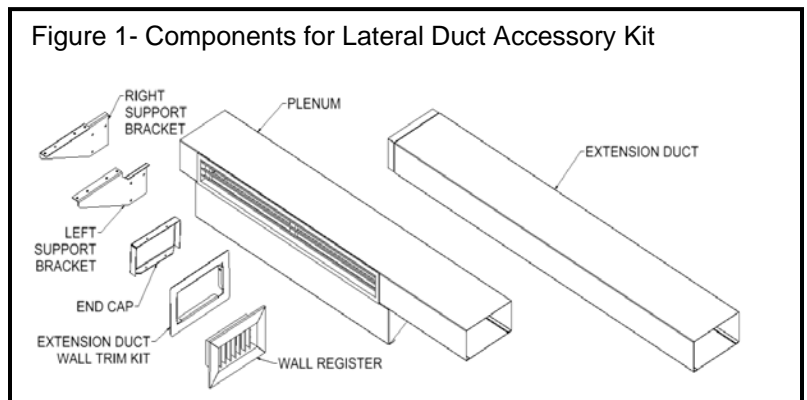
For Use with F Series Packaged Terminal Air Conditioner or Heat Pump

Introduction:

These instructions cover the installation of the Lateral Duct Accessory Kit for Packaged Terminal Air Conditioner (PTAC) units. Please read these instructions completely before attempting installation.

Package Contents (See Fig 1):

| ITEM | QUANTITY |
|------------------------------|----------|
| Plenum | 1 |
| Extension Duct | 1 |
| Extension Duct Wall Trim Kit | 1 |
| Wall Register | 1 |
| End Cap | 1 |
| Attachment Screws | 14 |
| Right Support Bracket | 1 |
| Left Support Bracket | 1 |



Tools Required: Power drill, 1/8" drill bit, hacksaw, Phillips screwdriver and utility knife.

General

The Lateral Duct Accessory Kit allows one PTAC unit to heat or cool two rooms. The kit mounts to the wall sleeve and can be installed for either right or left side duct applications. The amount of air that can be diverted to an adjoining room is adjustable from 20 to 30 percent. (See Table 1)

Table 1 – Airflow Adjustments

| BAFFLE POSITION | UNIT FRONT | ADJACENT ROOM |
|------------------------------|------------|---------------|
| Position 1 (factory default) | 80% | 20% |
| Position 2 | 75% | 25% |
| Position 3 | 70% | 30% |



Pre-Installation

Consider the following before installing the Lateral Duct Accessory:

- Maximum duct extension length is 4 feet.
- Duct run must be straight and horizontal; no bends or turns.
- Minimum recommended clearance between unit and adjoining room wall is 6 inches.
- Provisions must be made for return air from the adjoining room.
- The PTAC unit does not have to be removed for lateral duct installation.

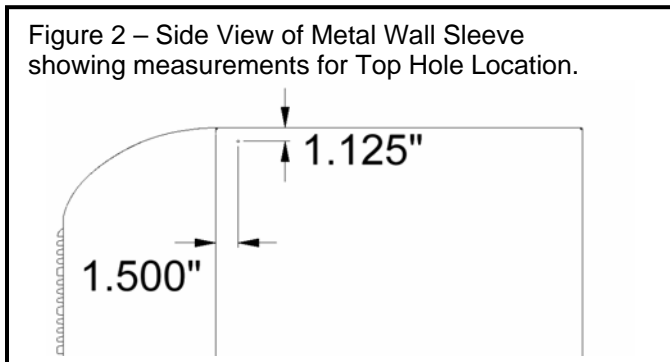


Installation

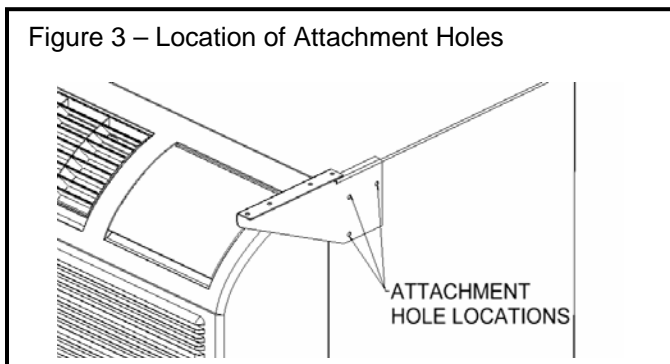
|  WARNING | |
|--|---|
|  | Electrical Shock Hazard Disconnect all electrical power to unit before service or installation. Failure to do so can result in property damage, personal injury and/or death. |

Mount Support Brackets to Wall Sleeve

1. Mark Top Hole location and line up bracket with the bracket holes. See Fig 2.

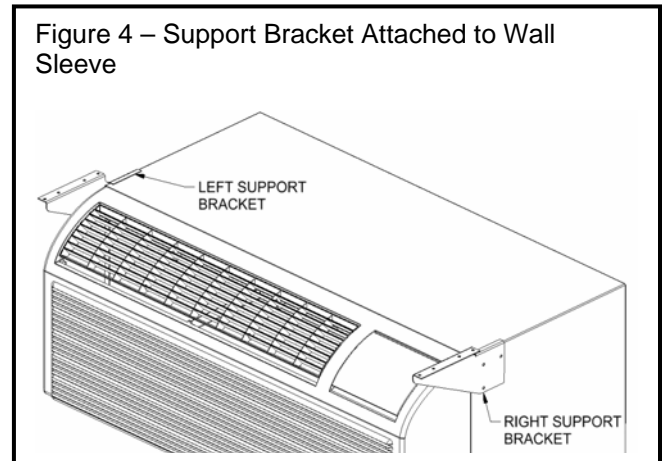


2. Mark other 2 holes locations. See Fig. 3.



3. Drill all 3 holes with a 1/8-in. drill bit.

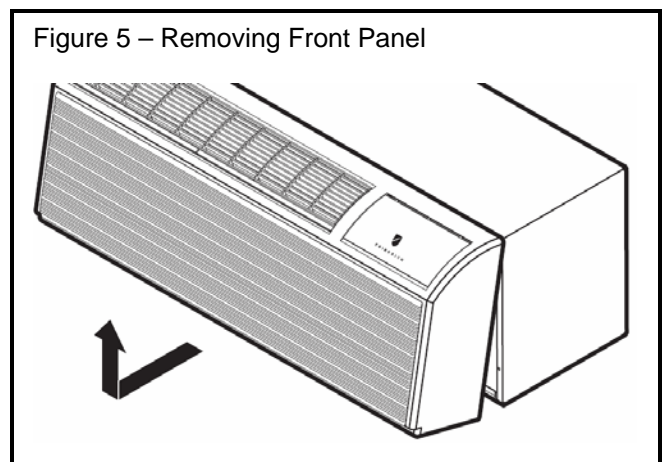
4. Secure bracket (be sure to use correct bracket as there is a left and right bracket) with 3 screws provided. *Do not over tighten.* See Fig. 4.



5. Repeat procedure above for other side bracket attachment.

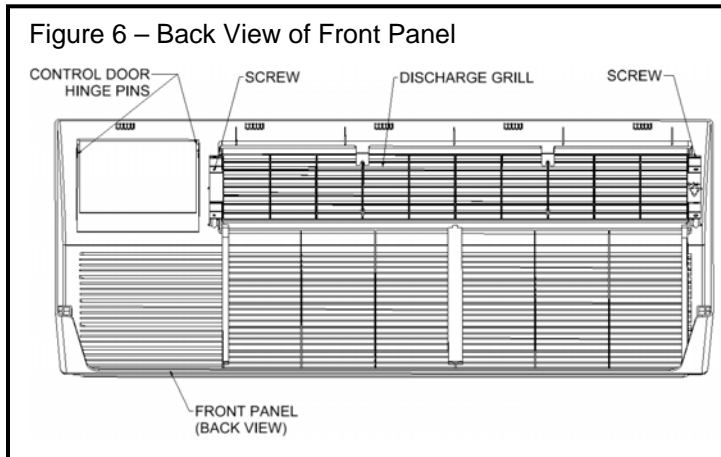
Remove Discharge Grille and Control Door from Front Panel

6. Remove front panel from unit by grasping the panel firmly near the bottom of both sides, then pulling the panel forward and upward to release partition hooks. See Fig 5.





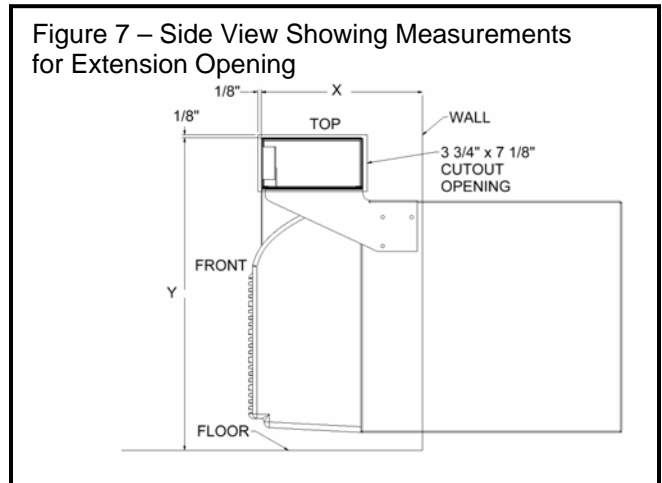
- Remove and discard discharge grille by removing attachment screws from inside of front panel. See Fig 6.



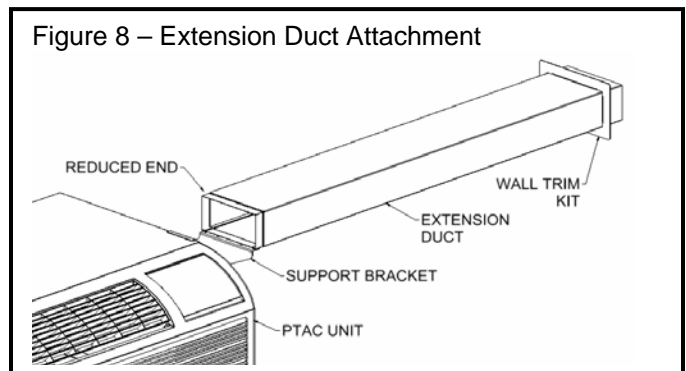
- Optional – for easy access to control panel, remove the control door by removing the hinges pins from inside of front panel that secure control door in place.
- Replace the front panel.

Install Extension Duct (Use for Left or Right Applications)

- Temporarily secure plenum to support brackets previously installed.
- Establish the position where the extension should intersect the adjacent wall and mark this location.
- Measure and cut a 3 3/4 in. x 7 1/8 in. opening through the wall. See Fig. 7.



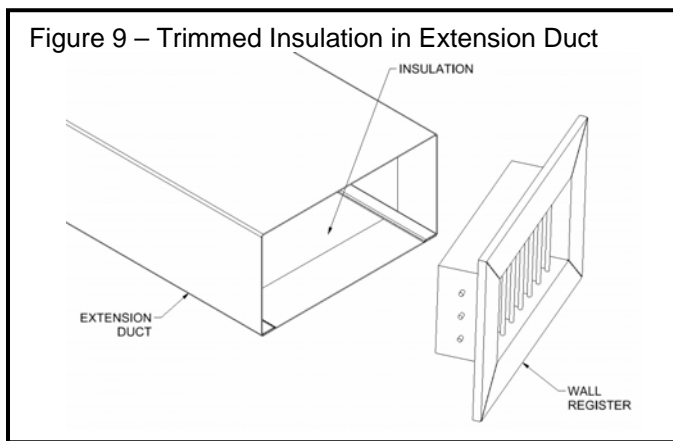
- The Extension Duct Wall Trim Kit can be used to trim out, up to approximately a 1/2 inch gap around the Extension Duct.
- Establish the needed length of the Extension Duct. Be sure to include the thickness of the wall in determining the proper length. One suggested method is to measure from the support bracket to outer wall surface in the adjacent room.
- Cut the Extension Duct to length. Do not cut flanged end as this is inserted into the plenum. Only cut the non-flanged end of the Extension Duct. See Fig 8.





NOTE: The final length of duct may be cut to up to ½ in. short of outside of wall opening as the Wall Register inner flange will cover this ½ in. gap. This is to allow for flush mounting of the Wall Register to the wall.

16. Trim the Extension Duct interior insulation back approximately 1 1/2 in. to allow installation of wall register. See Fig 9.



17. Mount extension duct by sliding extension duct into the wall opening (or previously installed wall trim kit mounted in the wall opening) and secure flanged end with 2 screws provided, to support bracket. See Fig 8 again.

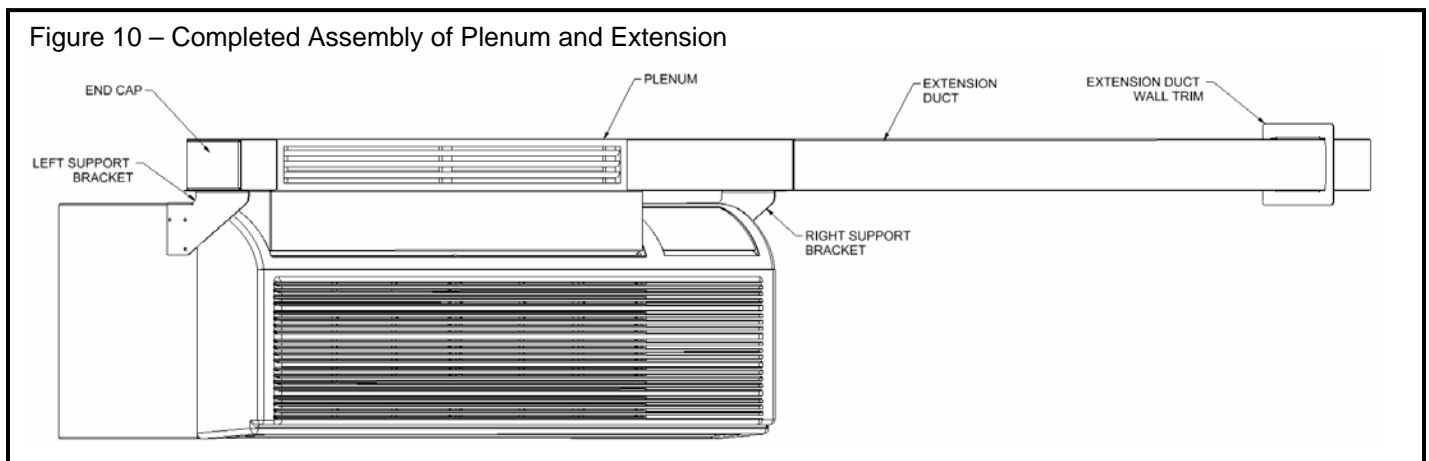
Install Plenum to Unit

IMPORTANT: Unit must be mounted in sleeve with front panel installed before attaching plenum.

18. Using two screws provided, install End Cap to Plenum on side opposite from where Extension Duct is attached.

19. Line hole up with Extension Duct on one side and the support bracket on other side. Secure with 4 screws provided. See Fig. 10 for completed plenum assembly.

NOTE: Be sure plenum is tightly sealed to the front panel.





Install Wall Register

20. In adjacent room center the register on the duct end and push into the duct until the frame is tight to the wall.

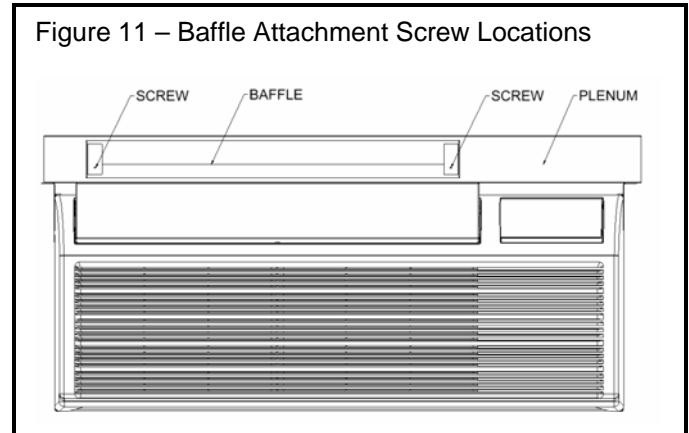
NOTE: The clips on the register are designed to hold it in place.

Adjust Volume of Airflow Between Rooms

NOTE: The plenum is factory set for maximum discharge of airflow from front of unit. To adjust the airflow between 2 rooms, adjust the internal baffle as follows:

21. Remove plenum discharge grille.

22. Remove 2 screws holding baffle. See Fig 11.



23. Position baffle, and secure for desired airflow setting. See Table 1.

24. Replace plenum discharge grille.

The Installation of the Lateral Duct Accessory Kit is now complete.

Thank you for purchasing this Friedrich accessory.

Please contact us if you have comments or questions.