



**FRIEDRICH**

1883

# Installation Manual

## DUCTLESS SPLIT SYSTEMS



ENGLISH

FRANÇAIS

ESPAÑOL

TYPE : WALL MOUNTED

Applied Models : M24CJ

THE EXPERTS IN ROOM AIR CONDITIONING

960-911-03

## TIPS FOR SAVING ENERGY

Here are some tips that will help you minimize the power consumption when you use the air conditioner. You can use your air conditioner more efficiently by referring to the instructions below:

- Do not cool excessively indoors. This may be harmful for your health and may consume more electricity.
- Block sunlight with blinds or curtains while you are operating the air conditioner.
- Keep doors or windows closed tightly while you are operating the air conditioner.
- Adjust the direction of the air flow vertically or horizontally to circulate indoor air.
- Speed up the fan to cool or warm indoor air quickly, in a short period of time.
- Open windows regularly for ventilation as the indoor air quality may deteriorate if the air conditioner is used for many hours.
- Clean the air filter once every 2 weeks. Dust and impurities collected in the air filter may block the air flow or weaken the cooling / dehumidifying functions.

### For your records

Staple your receipt to this page in case you need it to prove the date of purchase or for warranty purposes. Write the model number and the serial number here:

Model number : \_\_\_\_\_

Serial number : \_\_\_\_\_

You can find them on a label on the side of each unit.

Dealer's name : \_\_\_\_\_

Date of purchase : \_\_\_\_\_

# IMPORTANT SAFETY INSTRUCTIONS

## *READ ALL INSTRUCTIONS BEFORE USING THE APPLIANCE.*

Always comply with the following precautions to avoid dangerous situations and ensure peak performance of your product.

### WARNING

It can result in serious injury or death when the directions are ignored.

### CAUTION

It can result in minor injury or product damage when the directions are ignored.

### WARNING

- Installation or repairs made by unqualified persons can result in hazards to you and others.
- Air conditioner Shall be installed in accordance with national wiring regulations.
- If the supply cord is damaged, it must be replaced by the manufacturer, its service agent or similarly qualified persons in order to avoid a hazard.
- The information contained in the manual is intended for use by a qualified service technician familiar with safety procedures and equipped with the proper tools and test instruments.
- Failure to carefully read and follow all instructions in this manual can result in equipment malfunction, property damage, personal injury and/or death.

## Installation

- Always perform grounding.
  - Otherwise, it may cause electrical shock.
- Don't use a power cord, a plug or a loose socket which is damaged.
  - Otherwise, it may cause a fire or electrical shock.
- For installation of the product, always contact the service center or a professional installation agency.
  - Otherwise, it may cause a fire, electrical shock, explosion or injury.
- Securely attach the electrical part cover to the indoor unit and the service panel to the outdoor unit.
  - If the electrical part cover of the indoor unit and the service panel of the outdoor unit are not attached securely, it could result in a fire or electric shock due to dust, water, etc.
- Always install an air leakage breaker and a dedicated switching board.
  - No installation may cause a fire and electrical shock.
- Do not keep or use flammable gases or combustibles near the air conditioner.
  - Otherwise, it may cause a fire or the failure of product.
- Ensure that an installation frame of the outdoor unit is not damaged due to use for a long time.
  - It may cause injury or an accident.
- Do not disassemble or repair the product randomly.
  - It will cause a fire or electrical shock.
- Do not install the product at a place that there is concern of falling down.
  - Otherwise, it may result in personal injury.
- Use caution when unpacking and installing.
  - Sharp edges may cause injury.
- Thickness of copper pipes used are as shown "Flaring work" Table.
  - Never use copper pipes thinner than that in the table even when it is available on the market
- Do not use copper pipes having a collapsed.

- Otherwise, the expansion valve or capillary tube may become blocked with contaminants.
- For R410A model, use piping, flare nut and tools which is specified for R410A refrigerant.
  - Using of (R22) piping, flare nut and tools may cause abnormally high pressure in the refrigerant cycle (piping), and possibly result in explosion and injury.
- It is desirable that the amount of residual oil less than 40 mg/10m.

## Operation

- Do not share the outlet with other appliances.
  - It will cause an electric shock or a fire due to heat generation.
- Do not use the damaged power cord.
  - Otherwise, it may cause a fire or electrical shock.
- Do not modify or extend the power cord randomly.
  - Otherwise, it may cause a fire or electrical shock.
- Take care so that the power cord may not be pulled during operation.
  - Otherwise, it may cause a fire or electrical shock.
- Unplug the unit if strange sounds, smell, or smoke comes from it.
  - Otherwise, it may cause electrical shock or a fire.
- Keep the flames away.
  - Otherwise, it may cause a fire.
- Take the power plug out if necessary, holding the head of the plug and do not touch it with wet hands.
  - Otherwise, it may cause a fire or electrical shock.
- Do not use the power cord near the heating tools.
  - Otherwise, it may cause a fire and electrical shock.
- Do not open the suction inlet of the indoor/outdoor unit during operation.
  - Otherwise, it may electrical shock and failure.
- Do not allow water to run into electrical parts.
  - Otherwise, it may cause the failure of machine or electrical shock.
- Hold the plug by the head when taking it out.
  - It may cause electric shock and damage.
- Never touch the metal parts of the unit when removing the filter.
  - They are sharp and may cause injury.
- Do not step on the indoor/outdoor unit and do not put anything on it.
  - It may cause an injury through dropping of the unit or falling down.
- Do not place a heavy object on the power cord.
  - Otherwise, it may cause a fire or electrical shock.
- When the product is submerged into water, always contact the service center.
  - Otherwise, it may cause a fire or electrical shock.
- Take care so that children may not step on the outdoor unit.
  - Otherwise, children may be seriously injured due to falling down.

 CAUTION

---

## Installation

- Install the drain hose to ensure that drain can be securely done.
  - Otherwise, it may cause water leakage.
- Install the product so that the noise or hot wind from the outdoor unit may not cause any damage to the neighbors.
  - Otherwise, it may cause dispute with the neighbors.
- Always inspect gas leakage after the installation and repair of product.
  - Otherwise, it may cause the failure of product.
- Keep level parallel in installing the product.
  - Otherwise, it may cause vibration or water leakage.

## Operation

- Avoid excessive cooling and perform ventilation sometimes.
  - Otherwise, it may do harm to your health.
- Use a soft cloth to clean. Do not use wax, thinner, or a strong detergent.
  - The appearance of the air conditioner may deteriorate, change color, or develop surface flaws.
- Do not use an appliance for special purposes such as preserving animals vegetables, precision machine, or art articles.
  - Otherwise, it may damage your properties.
- Do not place obstacles around the flow inlet or outlet.
  - Otherwise, it may cause the failure of appliance or an accident.

# TABLE OF CONTENTS

## 2 TIPS FOR SAVING ENERGY

---

## 3 IMPORTANT SAFETY INSTRUCTIONS

---

## 7 INSTALLATION PARTS

---

## 7 INSTALLATION TOOLS

---

## 8 INSTALLATION MAP

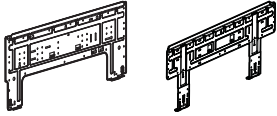


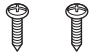

---

## 9 INSTALLATION

---

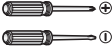

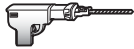






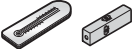


- 9 Select the best Location
- 10 Fixing Installation Plate
- 10 Drill a Hole in the Wall
- 10 Flaring Work
- 11 Connecting the Piping
- 17 Connecting the Cables
- 19 Checking the Drainage
- 20 Routing the piping
- 21 Leak testing
- 25 Test Running
- 26 Installation guide at the seaside
- 27 Piping Length and Elevation
- 27 Operation ranges

## INSTALLATION PARTS

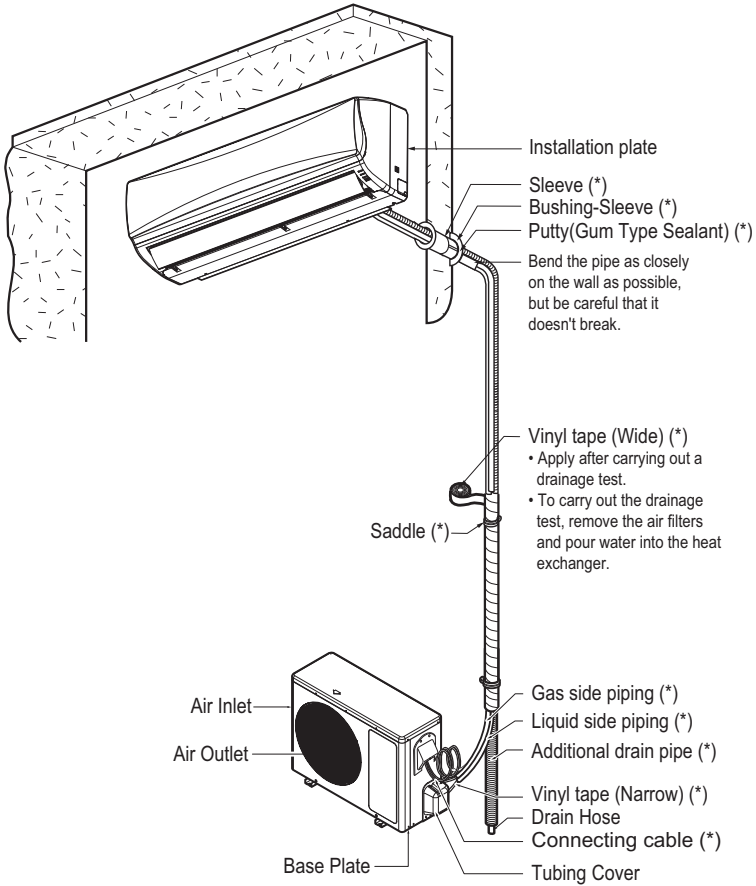
Name	Quantity	Shape
Installation plate	1 EA	 <p>The feature can be changed according to the type of model.</p>
Type "A" screw	8 EA	
Type "B" screw	2 EA	
Type "C" screw	2 EA	
Remote control holder	1 EA	

Screws for fixing panels are attached to decoration panel.

## INSTALLATION TOOLS

Figure	Name	Figure	Name
	Screw driver		Multi-meter
	Electric drill		Allen wrench
	Measuring tape, Knife		Amp meter
	Hole core drill		Leak Detector
	Adjustable wrench		Thermometer, Level
	Torque wrench		Flaring tool set

# INSTALLATION MAP



\* The feature can be changed according to the type of model.

## ! NOTE

- You should purchase the installation parts.

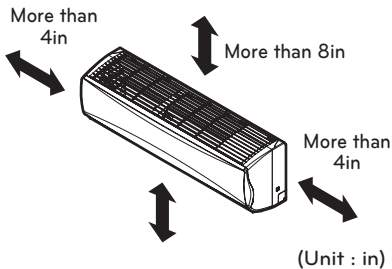


# INSTALLATION

## Select the best Location

### Indoor unit

- There should not be any heat or steam near the unit.
- Select a place where there are no obstacles around the unit.
- Make sure that condensation drainage can be conveniently routed away.
- Do not install near a doorway.
- Ensure that the gap between a wall and the left (or right) of the unit is more than 4in. The unit should be installed as high as possible on the wall, allowing a minimum of 8in from ceiling.
- Use a metal detector to locate studs to prevent unnecessary damage to the wall.



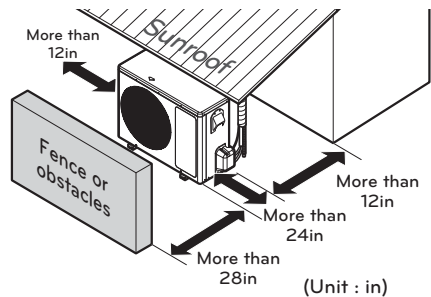
- \* Recommended height 6.5ft from the floor
- \* The feature can be changed according to the type of model.

### ! NOTE

Remove obstructions to prevent blockage of airflow path.

### Outdoor unit

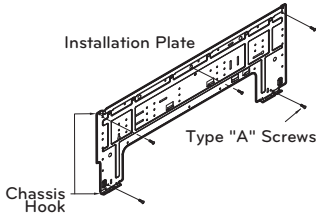
- If an awning is built over the unit to prevent direct sunlight or rain exposure, make sure that heat radiation from the condenser is not restricted.
- Ensure that the space around the back side and other sides is more than 12in. The space in front of the unit should be more than 28in.
- Do not place animals and plants in the path of the warm air.
- Take the weight of the air conditioner into account and select a place where noise and vibration are minimum.
- Select a place where the warm air and noise from the air conditioner do not disturb neighbors.



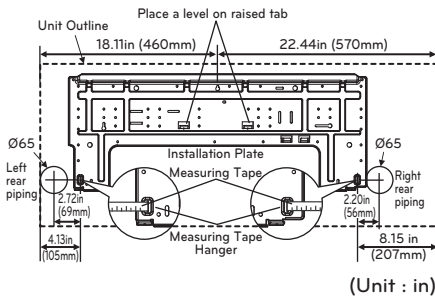
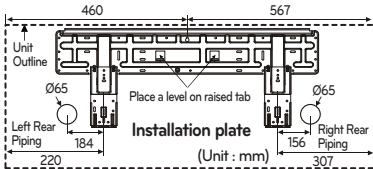
## Fixing Installation Plate

The wall you select should be strong and solid enough to prevent vibration

- 1 Mount the installation plate on the wall with type "A" screws. If mounting the unit on a concrete wall, use anchor bolts.
  - Mount the installation plate horizontally by aligning the centerline using Horizontal meter.



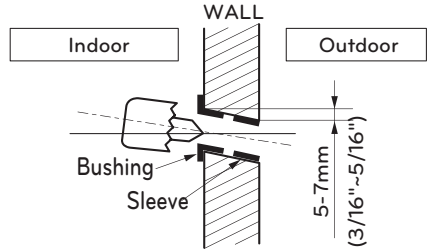
- 2 Measure the wall and mark the centerline. It is also important to use caution concerning the location of the installation plate. Routing of the wiring to power outlets is through the walls typically. Drilling the hole through the wall for piping connections must be done safely.



Both Installation Plates can be used for this model.

## Drill a Hole in the Wall

- Drill the piping hole with a  $\varnothing 65\text{mm}$  hole core drill. Drill the piping hole at either the right or the left with the hole slightly slanted to the outdoor side.



**CAUTION**

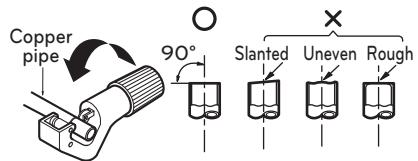
Use the sleeve to prevent damage for tube assembly.

## Flaring Work

Main cause for gas leakage is due to defect of flaring work. Carry out correct flaring work in the following procedure.

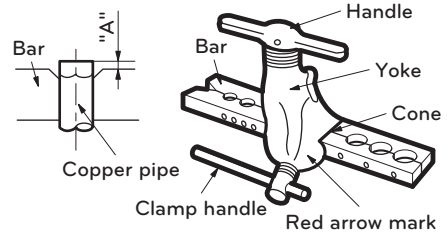
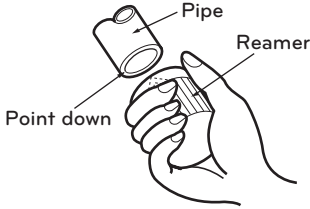
### Cut the pipes and the cable

- 1 Use the piping kit accessory or the pipes purchased locally.
- 2 Measure the distance between the indoor and the outdoor unit.
- 3 Cut the pipes a little longer than measured distance.
- 4 Cut the cable 1.5m (4.9 ft) longer than the pipe length.



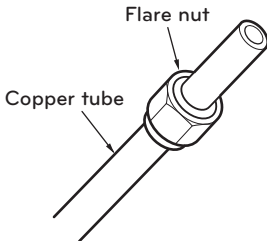
### Burrs removal

1. Completely remove all burrs from the cut cross section of pipe/tube.
2. While removing burrs put the end of the copper tube/pipe in a downward direction while removing burrs location is also changed in order to avoid dropping burrs into the tubing.



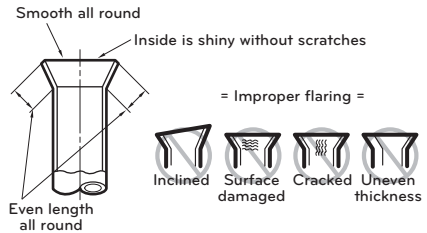
### Putting nut on

- Remove flare nuts attached to indoor and outdoor units, then put them on the pipe/tube which have completed its burr removal. (not possible to put them on after finishing flare work)



### Check

- 1 Compare the flared work with the figures given below.
- 2 If a flared section is defective, cut it off and do flaring work again.



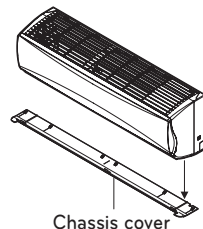
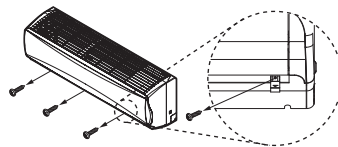
### Flaring work

- 1 Firmly hold copper pipe in a bar with the dimension shown in table below.
- 2 Carry out flaring work with the flaring tool.

Outside diameter		A	Thickness
mm	inch	mm	mm
Ø6.35	1/4"	1.1~1.3	0.7
Ø9.52	3/8"	1.5~1.7	0.8
Ø12.7	1/2"	1.6~1.8	0.8
Ø15.88	5/8"	1.6~1.8	1.0

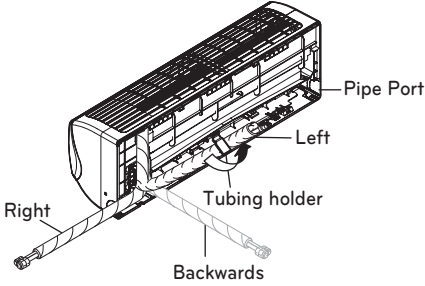
### Connecting the Piping

- 1 Pull the screw caps at the bottom of the indoor unit
- 2 Remove the chassis cover from the unit by loosening 3 screws



- 3 Pull back the tubing holder.
- 4 Remove the pipe port cover and position the piping.

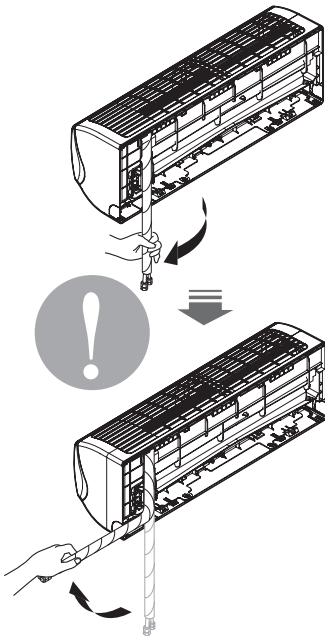
Back side view



\* The feature can be changed according to the type of model.

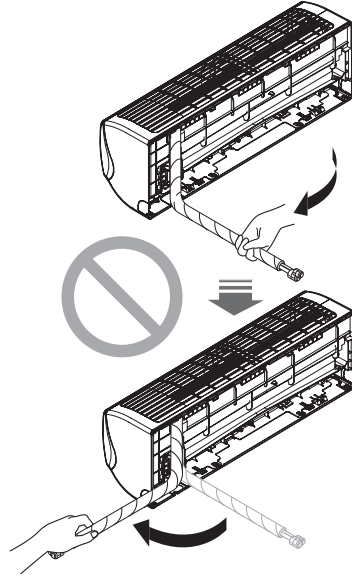
**Good case**

- Press the tubing cover and slowly unfold the tubing to downward. And then bend to the left side slowly.



**Bad case**

- Following bending case from right to left directly may cause damage to the tubing.

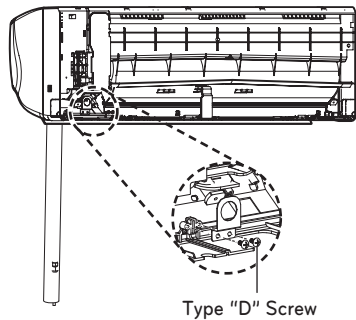


\* The feature can be changed according to the type of model.

**! CAUTION**

Installation Information. For right piping. Follow the instruction above.

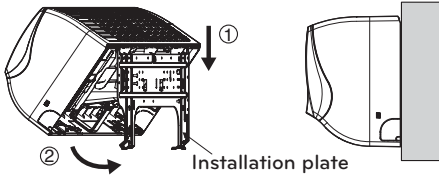
- Before bending the tubing, set the conduit like picture below by using the bracket and black screws from accessory kit.



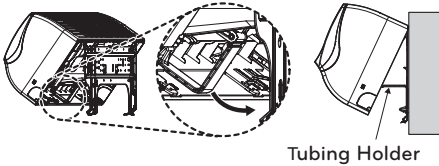
Type "D" Screw

## Installation of Indoor Unit

- 1 Hook the indoor unit onto the upper portion of the installation plate. (engage the three hooks at the top of the indoor unit with the upper edge of the installation plate) Ensure that the hooks are properly seated on the installation plate by moving it left and right



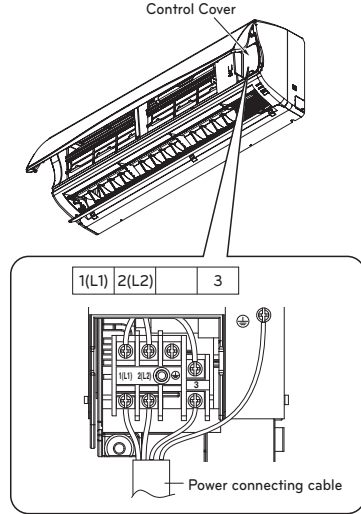
- 2 Unlock the tubing holder from the chassis and mount between the chassis and installation plate in order to separate the bottom side of the indoor unit from the wall.



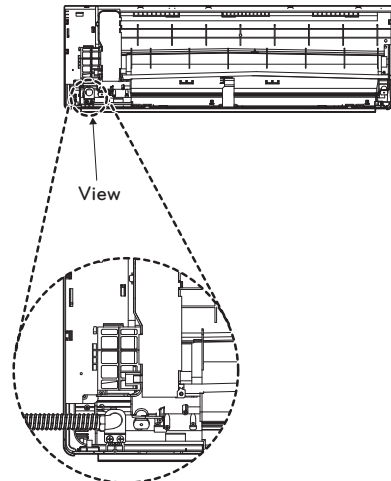
\* The feature can be changed according to the type of model.

## Piping

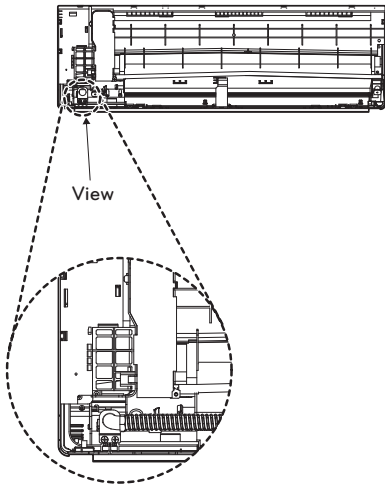
- 1 Raise the cover of terminal block.
- 2 Insert the connecting cable through the bottom side of indoor unit and connect the cable. (You can see detail contents in 'Connecting the cables' section.)



<Left side piping>

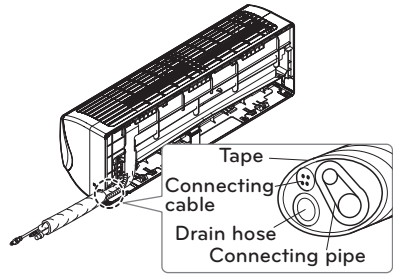


<Right side piping>



- 3 Tape the tubing pipe, drain hose and the connection cable. Be sure that the drain hose is located at the lowest side of the bundle. Locating at the upper side can cause overflow from the drain pan through the inside of the unit.

<Right side piping>



\* The feature can be changed according to the type of model.

**CAUTION**

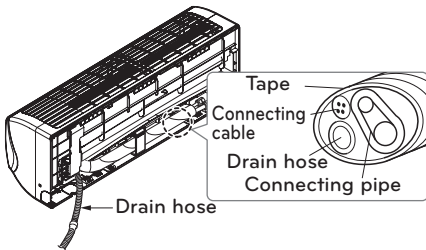
Must use the elbow type (L-Type) conduit

Method:

1. Disassemble bracket (from indoor unit)
2. Assemble it with conduit
3. Reassemble it with indoor unit.



<Left side piping>



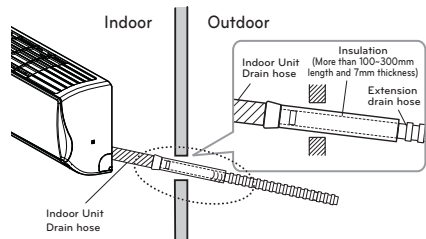
**NOTE**

Insert the drain hose at left side when you use left side piping type.

**CAUTION**

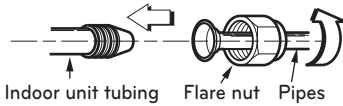
If the extension drain hose is routed inside the room, insulate the hose with an insulation material\* so that dripping from sweating (condensation) could not damage furniture or floors.

- Foamed polyethylene or equivalent is recommended.



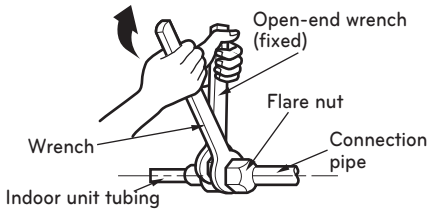
## Connecting the installation pipe and drain hose to the indoor unit.

- 1 Align the center of the pipes and sufficiently tighten the flare nut by hand

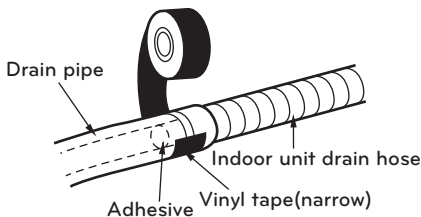


- 2 Tighten the flare nut with a wrench

Outside Diameter		Torque	
mm	inch	kgf·cm	N·m
Ø6.35	1/4	180~250	17.6~24.5
Ø9.52	3/8	340~420	33.3~41.2
Ø12.7	1/2	550~660	53.9~64.7
Ø15.88	5/8	630~820	61.7~80.4

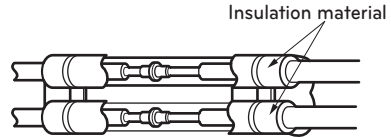


3. When needed to extend the drain hose of indoor unit, assembly the drain pipe as shown on the drawing

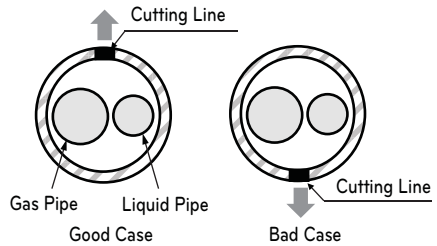


## Wrap the insulation material around the connecting portion.

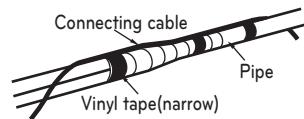
- 1 Overlap the connection pipe insulation material and the indoor unit pipe insulation material. Bind them together with vinyl tape so that there may be no gap.



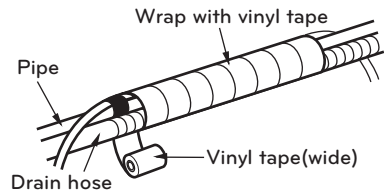
- 2 Set the tubing cutting line upward. Wrap the area which accommodates the rear piping housing section with vinyl tape.



- \* Tubing cutting line have to be upward.

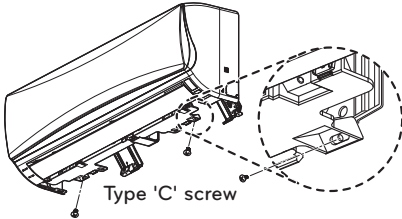
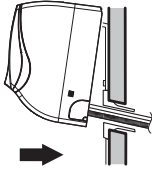


- 3 Bundle the piping and drain hose together by wrapping them with vinyl tape sufficient enough to cover where they fit into the rear piping housing section.



## Finishing the indoor unit installation

- 1 Mount the tubing holder in the original position.
- 2 Ensure that the hooks are properly seated on the installation plate by moving it left and right.
- 3 Press the lower left and right sides of the unit against the installation plate until the hooks engage into their slots (clicking sound).
- 4 Finish the assembly by screwing the unit to the installation plate by using two pieces of type "C" screws. And assemble a chassis cover.



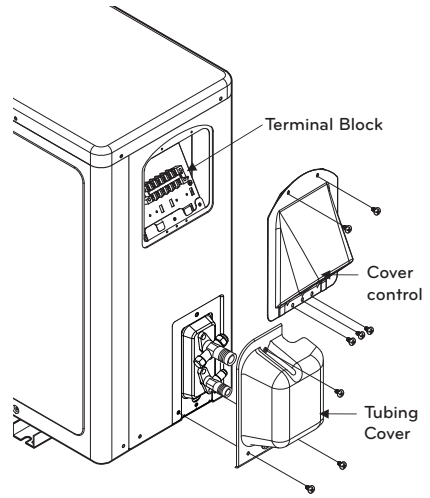
### ! CAUTION

- Before finishing installation of the indoor unit, seal the hole of a wall except the pipe's ways to prevent condensate from inflow of outdoor air.

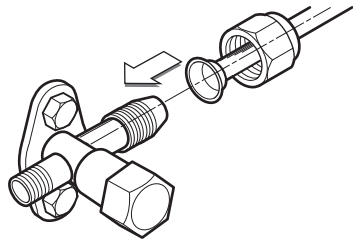
## Outdoor unit

### Connecting the Piping

- Remove the tubing cover from the unit by loosening the screw.

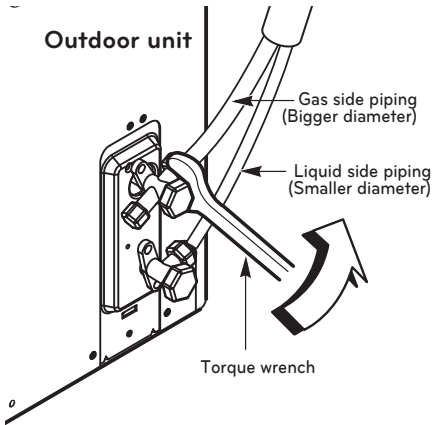


- Align the center of the pipings and sufficiently tighten the flare nut by hand.





- Finally, tighten the flare nut with torque wrench until the wrench clicks. When tightening the flare nut with torque wrench, ensure the direction for tightening follows the arrow on the wrench.



Outside Diameter		Torque	
mm	inch	kgf-cm	N·m
Ø6.35	1/4	180~250	17.6~24.5
Ø9.52	3/8	340~420	33.3~41.2
Ø12.7	1/2	550~660	53.9~64.7
Ø15.88	5/8	630~820	61.7~80.4

## Connecting the Cables

Connect the cable to the indoor unit by connecting the wires to the terminals on the control board individually according to the outdoor unit connection. (Ensure that the color of the wires of the outdoor unit and the terminal No. are the same as those of the indoor unit.)

### ! CAUTION

- The circuit diagram is a subject to change without notice.
- The earth wire should be longer than the common wires.
- When installing, refer to the circuit diagram on the chassis cover.
- Connect the wires firmly so that they may not be pulled out easily.
- Connect the wires according to color codes, referring to the wiring diagram.

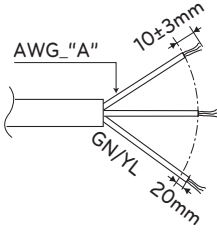
### ! CAUTION

- Assemble it with conduit.



### ! CAUTION

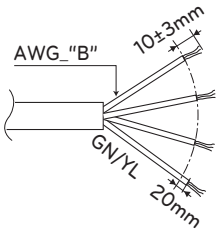
The power cord connected to the outdoor unit should be complied with the following specifications (UL recognized or CSA certified).



Power supply cable

Power	Capacity(Btu/h)
	24k
"A"	12

The power connecting cable connected to the indoor and outdoor unit should be complied with the following specifications (UL recognized or CSA certified).



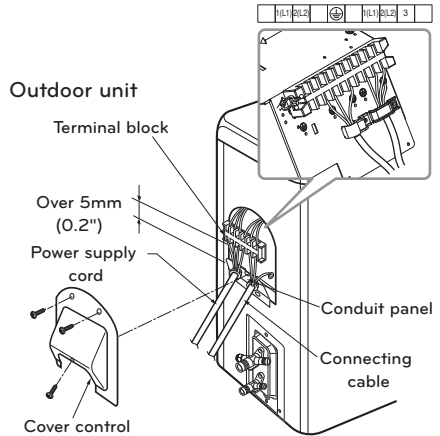
Connecting cable

Connecting Cable	Capacity(Btu/h)
	24k
"B"	18

### Outdoor unit

- Connect the wires to the terminals on the control board individually.
- Secure the cable onto the control board with the cord clamp.
- Use a recognized circuit breaker between the power source and the unit.  
A disconnecting device to adequately disconnect all supply lines must be fitted.

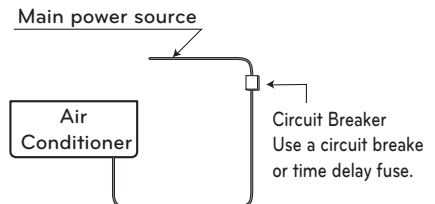
Circuit Breaker(A)	Capacity(Btu/h)
	24k
	25



\*The feature can be changed according a type of model.

### CAUTION

Provide the circuit breaker between power source and the unit as shown by



## ⚠ CAUTION

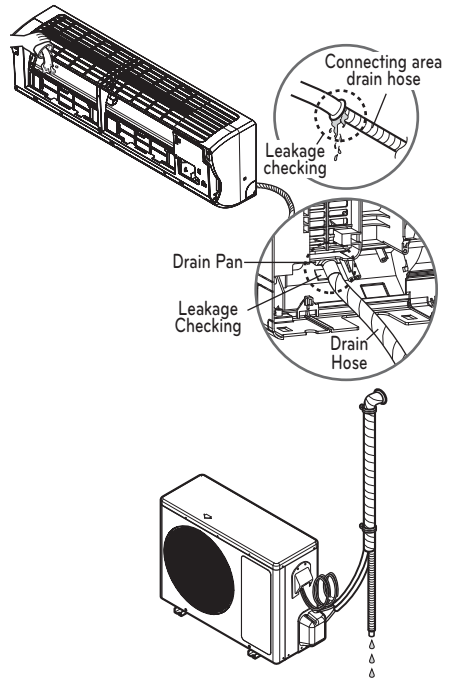
According to the confirmation of the above conditions, prepare the wiring as follows.

- 1 Never fail to have an individual power circuit specifically for the air conditioner. As for the method of wiring, be guided by the circuit diagram posted on the inside of control cover.
- 2 The screw which fasten the wiring in the casing of electrical fittings are liable to become loose from vibrations to which the unit is subjected during the transportation. Check them and make sure that they all are tightly fastened. (If they are loose, it could cause burn-out of the wires.)
- 3 Specification of power source.
- 4 Confirm that electrical capacity is sufficient.
- 5 See that the starting voltage is maintained at more than 90 percent of the rated voltage marked on the name plate.
- 6 Confirm that the cable thickness is as specified in the power source specification. (Particularly note the relation between cable length and thickness.)
- 7 Always install an earth leakage circuit breaker in a wet or moist area.
- 8 The following would be caused by voltage drop.
  - Vibration of a magnetic switch, which will damage the contact point, fuse breaking, disturbance of the normal function of the overload.
- 9 The means for disconnection from a power supply shall be incorporated in the fixed wiring and have an air gap contact separation of at least 3mm in each active(phase) conductors.

## Checking the Drainage

### To check the drainage.

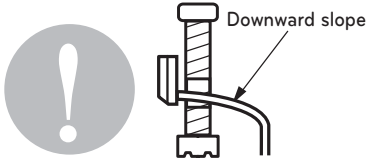
- 1 Pour a glass of water on the evaporator.
- 2 Ensure the water flows through the drain hose of the indoor unit without any leakage and goes out the drain exit.



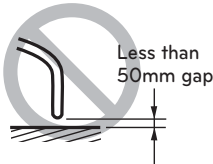
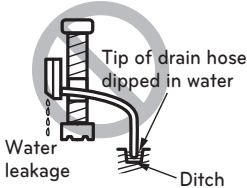
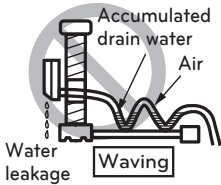
\* The feature can be changed according to the type of model.

## Drain piping

- 1 The drain hose should point downward for easy drain flow.



- 2 Do not set the drain hose like the following.

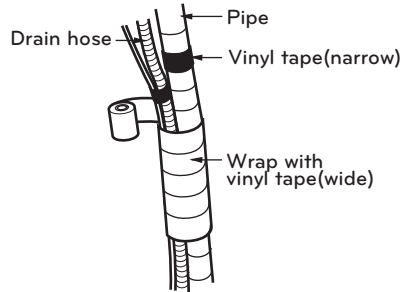


\*The feature can be changed according a type of model.

## Routing the piping

Form the piping by wrapping the connecting portion of the indoor unit with insulation material and secure it with two kinds of vinyl tapes.

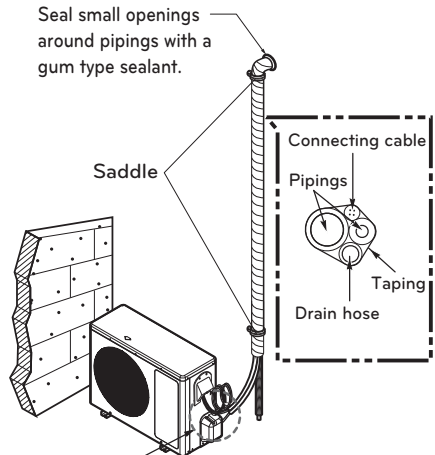
- If you want to connect an additional drain hose, the end of the drain outlet should be routed above the ground. Secure the drain hose appropriately.



In cases, where the outdoor unit is installed below the Indoor unit, perform the following.

- 1 Tape the piping, drain hose and connecting cable from down to up.
- 2 Secure the tapped piping along the exterior wall using saddle or equivalent.

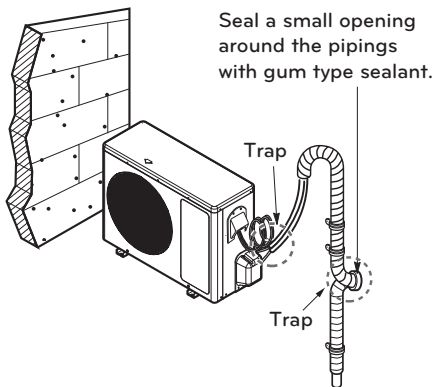
In cases, where the outdoor unit is installed above the Indoor unit, perform the following.



Trap is required to prevent water from entering into electrical parts.

In cases where the outdoor unit is installed above the Indoor unit perform the following.

- 1 Tape the piping and connecting cable from down to up.
- 2 Secure the taped piping along the exterior wall. Form a trap to prevent water entering the room.
- 3 Fix the piping onto the wall using saddle or equivalent



## Air Purging

The air and moisture remaining in the refrigerant system have undesirable effects as indicated below.

- Pressure in the system rises.
- Operating current rises.
- Cooling(or heating) efficiency drops.
- Moisture in the refrigerant circuit may freeze and block capillary tubing.
- Water may lead to corrosion of parts in the refrigeration system.

Therefore, after evacuating the system, take a leak test for the piping and tubing between the indoor and outdoor unit.

## Leak testing with vacuum pump

### - Preparation

Check that each tube(both liquid and gas side tubes) between the indoor and outdoor units have been properly connected and all wiring for the test run has been completed. Remove the service valve caps from both the gas and the liquid side on the outdoor unit. Note that both the liquid and the gas side service valves on the outdoor unit are kept closed at this stage.

### - Leak test

Connect the manifold valve(with pressure gauges) and dry nitrogen gas cylinder to this service port with charge hoses.

### ! CAUTION

Be sure to use a manifold valve for air purging. If it is not available, use a stop valve for this purpose. The knob of the 3-way valve must always be kept close.

- Pressurize the system to maximum 250 P.S.I.G. (17.6 kgf/cm<sup>2</sup>G) (R-22 model) or 400 P.S.I.G. (28.1 kgf/cm<sup>2</sup>G) (R-410A model) with dry nitrogen gas and close the cylinder valve when the gauge reading reaches 250 P.S.I.G. (17.6 kgf/cm<sup>2</sup>G) (R-22 model) or 400 P.S.I.G. (28.1 kgf/cm<sup>2</sup>G) (R-410A model). Next step is leak test with liquid soap.

### ! CAUTION

To avoid nitrogen entering the refrigerant system in a liquid state, the top of the cylinder must be higher than its bottom when you pressurize the system. Usually, the cylinder is used in a vertical standing position.

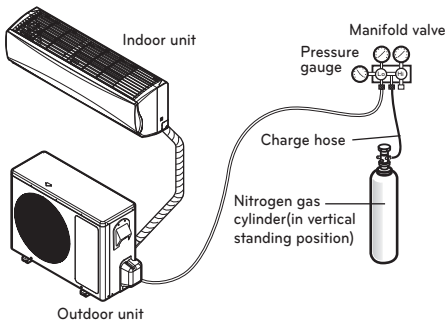
### ! WARNING

There is a risk of fire and explosion. Inert gas (nitrogen) should be used when you check plumbing leaks, cleaning or repairs of pipes etc. If you are using combustible gases including oxygen, product may have the risk of fires and explosions.

- Do a leak test of all joints of the tubing(both indoor and outdoor) and both gas and liquid side service valves.

Bubbles indicate a leak. Be sure to wipe off the soap with a clean cloth.

- After the system is found to be free of leaks, relieve the nitrogen pressure by loosening the charge hose connector at the nitrogen cylinder. When the system pressure is reduced to normal, disconnect the hose from the cylinder.



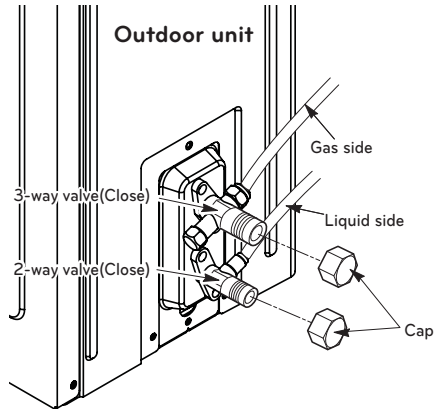
\*The feature can be changed according a type of model.

### Soap water method

- Remove the caps from the 2-way and 3-way valves.
- Remove the service-port cap from the 3-way valve.
- Apply a soap water or a liquid neutral detergent on the indoor unit connection or outdoor unit connections by a soft brush to check for leakage of the connecting points of the piping.
- If bubbles come out, the pipes have leakage

### Evacuation

- Connect the charge hose end described in the preceding steps to the vacuum pump to evacuate the tubing and indoor unit. Confirm the "Lo" knob of the pressure Gauge is open. Then, run the vacuum pump. The operation time for evacuation varies with tubing length and capacity of the pump. The following table shows the time required for Evacuation.



Required time for Evacuation when 30 gal/h vacuum pump is used

If tubing length is less than 10m (33 ft)

If tubing length is longer than 10m (33 ft)

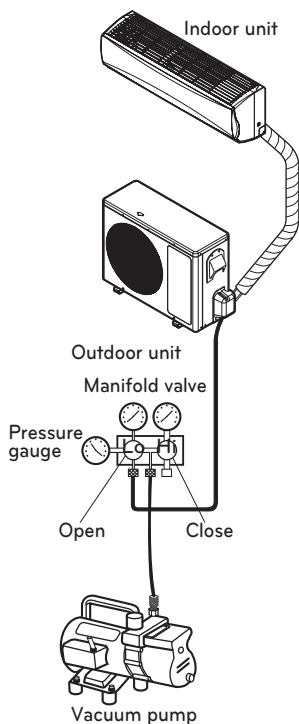
10 min. or more

15 min. or more

- When the desired vacuum is reached, close the knob of the 3-way valve and stop the vacuum pump.

## Finishing the Job

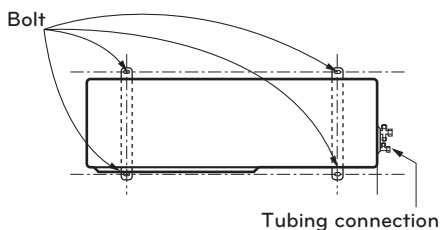
- With a service valve wrench, turn the valve of liquid side counter-clockwise to fully open the valve
- Turn the valve of gas side counter clockwise to fully open the valve
- Loosen the charge hose connected to the gas side service port slightly to release the pressure, then remove the hose.
- Replace the flare nut and its bonnet on the gas side service port and fasten the flare nut securely with an adjustable wrench. This process is very important to prevent leakage from the system.



- Replace the valve caps at both gas and liquid side service valves and fasten them tight. This completes air purging with a vacuum pump.
  - Replace the pipe cover to the outdoor unit by one screw
- Now the air conditioner is ready for test run.

## Anchoring of outdoor unit

- Fix the outdoor unit with a bolt and nut( $\varnothing 10\text{mm}$ ).
- When installing on the wall, roof or rooftop, anchor the mounting base securely with a nail or wire assuming the influence of wind and earthquake.
- If the vibration of the unit is transmitted to the pipe, secure the unit with an anti-vibration rubber.

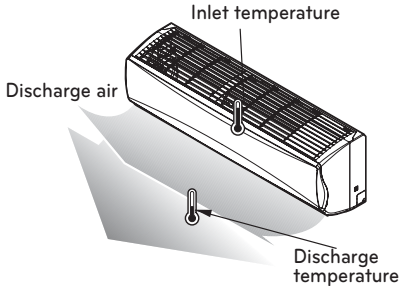


## Evaluation of the performance

Operate the unit for 15~20 minutes, then check the system refrigerant charge:

- Measure the pressure of the gas side service valve.
- Measure the air temperature from inlet and outlet of air conditioner.
- Ensure the difference between the inlet and outlet temperature is more than 46°F.
- For reference; the gas side pressure at optimum condition is shown on table (cooling)

The air conditioner is now ready to use.



Refrigerant	Outside ambient TEMP.	The pressure of the gas side service valve.
R-22	95°F(35°C)	4~5kg/cm <sup>2</sup> G (56.8~71.0 P.S.I.G.)
R-410A	95°F(35°C)	8.5~9.5kg/cm <sup>2</sup> G (120~135 P.S.I.G.)

\*The feature can be changed according a type of model.

## Pump down

This is performed when the unit is relocated or the refrigerant circuit is serviced.

Pump Down means collecting all refrigerant into the outdoor unit without the loss of refrigerant.

### ! CAUTION

Be sure to perform Pump Down procedure in the cooling mode.

## Pump Down Procedure

- Connect a low-pressure gauge manifold hose to the charge port on the gas side service valve.
- Open the gas side service valve halfway and purge the air in the manifold hose using the refrigerant.
- Close the liquid side service valve(all the way).
- Turn on the unit's operating switch and start the cooling operation.
- When the low-pressure gauge reading becomes 1 to 0.5kg/cm<sup>2</sup> G(14.2 to 7.1 P.S.I.G.), fully close the gas side valve and then quickly turn off the unit. Now Pump Down procedure is completed, and all refrigerant is collected into the outdoor unit.

### ! NOTE

If the actual pressure is higher than shown, the system is most likely over-charged, and charge should be removed. If the actual pressure are lower than shown, the system is most likely under-charged, and charge should be added.



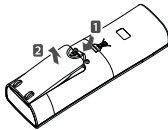
## Test Running

- Check that all tubing and wiring are properly connected.
- Check that the gas and liquid side service valves are fully open.

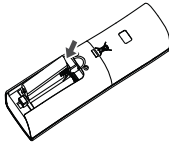
### Prepare remote controller

Insert batteries before using the remote control. The battery type used is AAA (1.5 V).

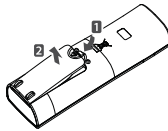
- 1 Remove the battery cover by pulling it according to the arrow direction.



- 2 Insert new batteries making sure that the (+) and (-) of battery are installed correctly.



- 3 Reattach the cover by pushing it back in position.



#### ! NOTE

- Use 2 AAA(1.5volt) batteries. Do not use rechargeable batteries.
- Remove the batteries from the remote controller if the system is not used for a long time.

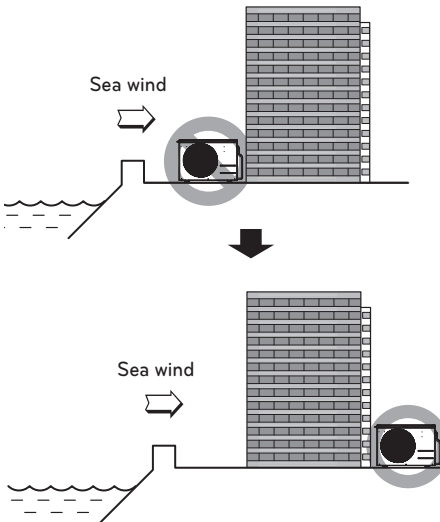
## Coastal installation guidelines

### ⚠ CAUTION

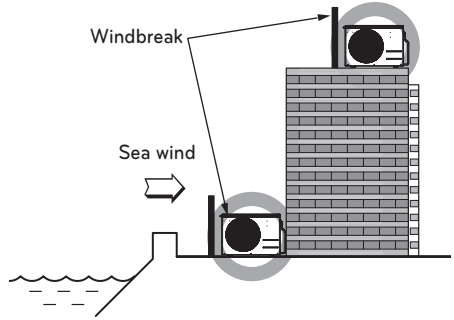
- Air conditioners should not be installed in areas where corrosive gases, such as acid or alkaline gas, are produced.
- Do not install the product where it could be exposed to sea wind (salty wind) directly. It can result corrosion on the product. Corrosion, particularly on the condenser and evaporator fins, could cause product malfunction or inefficient performance.

### Selecting the location(Outdoor Unit)

If they outdoor equipment must be installed on the coastal side of a building, direct exposure to coastal winds should be avoided.



If system is to be installed in coastal area, windbreak should be installed to protect against excess winds, sand and salt.



- Material such as concrete should be considered to withstand strong coastal winds.
- The height and width should be more than 150% of the outdoor unit.
- More than 2ft of space should be kept between the windbreak and outdoor unit to ensure proper airflow.

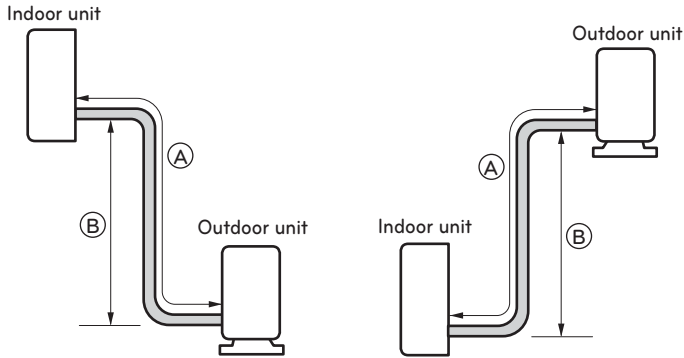
Select an area with adequate drainage.

### ! NOTE

- Periodic ( more than once/year ) cleaning of the dust or salt particles stuck on the Condenser by using water
- \* Do not use salt water to clean equipment, doing so could result in equipment failure.

## Piping Length and Elevation

Capacity (Btu/h)	Pipe Size				Standard Length m(ft)	Max. Elevation Ⓑ m(ft)	Min Length Ⓐ m(ft)	Max. Length Ⓐ m(ft)	Additional Refrigerant for longer than 7.5m(24.6ft)	
	GAS		LIQUID						g/m	oz/ft
	mm	inch	mm	inch						
24k	Ø15.88	5/8	Ø9.52	3/8	7.5(24.6)	15(49.2)	-	30(98.4)	35	0.38



### ⚠ CAUTION

Capacity is based on standard length and maximum allowable length is on the basis of reliability. Additional refrigerant must be charged after 24.6ft(7.5m).

## Operation ranges

The table below indicates the temperature ranges the air conditioner can be Operated within.

Mode	Indoor temperature	Outdoor temperature
Cooling	64.4°F~89.6°F(18°C~32°C)	-0.4°F~118.4°F(-18°C~48°C)





**FRIEDRICH**

1883

# Manuel d'installation

## SPLIT SYSTEM DUCTLESS



FRANÇAIS

TYPE : MURAL

Applied Models : M24CJ

THE EXPERTS IN ROOM AIR CONDITIONING

960-911-03

## ASTUCES POUR ECONOMISER L'ENERGIE

Nous vous donnons ici quelques astuces qui vous permettront de minimiser la consommation d'énergie lorsque vous utilisez le climatiseur. Vous pouvez utiliser un climatiseur de manière plus efficace en vous référant aux instructions ci-dessous.

- Evitez un refroidissement excessif des unités intérieures. Une telle application pourrait représenter un danger pour votre santé et entraîner une plus grande consommation de courant.
- Evitez d'exposer le climatiseur aux rayons solaires à l'aide des rideaux ou des persiennes lorsqu'il est en marche.
- Maintenez les portes et les fenêtres complètement fermées lorsque vous utilisez le climatiseur.
- Ajustez le sens du débit d'air verticalement ou horizontalement pour permettre la circulation de l'air intérieur.
- Accélérez le ventilateur pour refroidir ou réchauffer rapidement l'air intérieur en peu de temps.
- Ouvrez régulièrement des fenêtres pour des besoins d'aération étant donné que la qualité de l'air intérieur peut se détériorer si vous utilisez le climatiseur pendant plusieurs heures.
- Nettoyez le filtre à air une fois toutes les 2 semaines. La poussière et la saleté qui se sont accumulées à l'intérieur du filtre à air peuvent empêcher la circulation de l'air ou réduire les fonctions de refroidissement / déshumidification.

### Pour vos archives

Agrafez votre reçu sur cette page dans le cas où vous en avez besoin pour prouver la date d'achat ou pour des besoins de garantie. Ecrivez le numéro du modèle et le numéro de série ici:

Numéro du modèle: \_\_\_\_\_

Numéro de série: \_\_\_\_\_

Ces numéros sont disponibles sur l'étiquette de chaque côté du climatiseur.

Nom du distributeur: \_\_\_\_\_

Date d'achat: \_\_\_\_\_

# CONSIGNES DE SECURITE

*Respectez les instructions suivantes pour éviter de vous blesser, de blesser des tiers ou d'endommager le matériel.*

Lisez attentivement ce document avant d'installer le climatiseur.

Respectez scrupuleusement les consignes de sécurité.

Le non-respect des instructions peut entraîner un fonctionnement incorrect et endommager l'appareil ou provoquer des blessures.

## AVERTISSEMENT

Ce symbole indique un danger de mort ou de blessure grave.

## ATTENTION

Ce symbole indique un risque de blessure ou de dégât matériel.

## AVERTISSEMENT

- Les travaux d'installation ou de dépannage effectués par des personnes non qualifiées peuvent vous exposer aux risques en même temps que les autres personnes.
- Appareil doit être installé conformément aux réglementations de câblage nationales.
- Si le cordon d'alimentation est endommagé, il doit être remplacé par le fabricant, son service après-vente ou une personne qualifiée autre pour éviter tout danger.
- Les informations contenues dans ce manuel sont destinées à un technicien de maintenance qualifié qui maîtrise les consignes de sécurité et dispose d'outils et d'instruments de test appropriés.
- Le fait de ne pas lire attentivement et de ne pas respecter les instructions de ce manuel peut provoquer un dysfonctionnement de l'équipement, des dégâts matériels, des blessures individuelles et/ou la mort.
- Lorsque le cordon d'alimentation doit être remplacé, ce travail doit être effectué par du personnel autorisé utilisant uniquement des pièces de rechange d'origine.

## Installation

- Effectuez toujours une mise à la terre.
  - À défaut, vous vous exposez à un risque de décharge électrique.
- N'utilisez pas de cordon d'alimentation, de fiche ou de prise desserrée qui soit endommagée.
  - À défaut, vous vous exposez à un risque d'incendie ou de décharge électrique.
- Pour installer l'appareil, adressez-vous toujours au service après-vente ou à un professionnel.
  - À défaut, vous vous exposez à un risque d'incendie, de décharge électrique, d'explosion ou de blessure.
- Fixez solidement le cache électrique sur l'unité intérieure et le bouchon de tuyau sur l'unité extérieure.
  - À défaut, vous vous exposez à un risque d'incendie ou de décharge électrique due à la poussière, l'eau ou autre.
- Installez toujours un interrupteur différentiel et un panneau de distribution électrique dédié.
  - À défaut, vous vous exposez à un risque d'incendie ou de décharge électrique.
- Ne stockez pas et n'utilisez pas de combustible ou de gaz inflammable à proximité du climatiseur.
  - À défaut, vous vous exposez à un risque d'incendie ou de panne de l'appareil.
- Vérifiez que le support d'installation de l'unité extérieure ne s'est pas abîmé avec le temps.
  - Il pourrait entraîner des blessures ou un accident.
- Ne démontez pas et ne réparez pas l'appareil vous-même.
  - À défaut, vous vous exposez à un risque d'incendie ou de décharge électrique.
- Risque d'incendie et d'explosion.
  - Utilisez un gaz interne (azote) lorsque vous recherchez la présence de fuites sur les tuyaux, procédez au nettoyage ou réparez des tuyaux, etc.

- N'installez pas l'appareil a un endroit ou il risque de tomber.
  - A defaut, vous vous exposez a un risque de blessure.
- Soyez prudent lors du deballage de l'appareil et de son installation.
  - Il comporte des bords saillants au contact desquels vous pourriez vous blesser.

## Fonctionnement

- N'utilisez pas une prise commune avec d'autres appareils.
  - Cela peut entrainer un risque de decharge electrique ou d'incendie en raison d'une surchauffe.
- N'utilisez pas le cordon d'alimentation s'il est endommage.
  - A defaut, vous vous exposez a un risque d'incendie ou de decharge electrique.
- Ne modifiez pas et ne prolongez pas le cordon d'alimentation.
  - A defaut, vous vous exposez a un risque d'incendie ou de decharge electrique.
- Veillez a ce qu'aucune traction ne soit exercee sur le cordon d'alimentation pendant le fonctionnement de l'appareil.
  - A defaut, vous vous exposez a un risque d'incendie ou de decharge electrique.
- Debranchez l'appareil si celui-ci produit des sons etranges, une odeur inhabituelle ou de la fumees.
  - A defaut, vous vous exposez a un risque d'incendie ou de decharge electrique.
- N'approchez pas de flammes de l'appareil.
  - A defaut, vous vous exposez a un risque d'incendie.
- Debranchez le cordon d'alimentation en tirant sur sa fiche, et non sur le cordon, et ne la touchez pas avec les mains mouillees.
  - A defaut, vous vous exposez a un risque d'incendie ou de decharge electrique.
- Ne placez pas le cordon d'alimentation a proximite d'appareils degageant de la chaleur.
  - A defaut, vous vous exposez a un risque d'incendie ou de decharge electrique.
- N'ouvrez pas la grille d'entree de l'unite interieure ou exterieure pendant le fonctionnement.
  - A defaut, vous vous exposez a un risque de decharge electrique et de panne de l'appareil.
- Veillez a ce que de l'eau n'entre pas en contact avec les composants electriques.
  - A defaut, vous vous exposez a un risque de decharge electrique ou de defaillance de l'appareil.
- Pour debrancher le cordon d'alimentation, tirez sur sa fiche.
  - A defaut, vous vous exposez a un risque de decharge electrique ou d'endommagement.
- Ne marchez pas sur l'unite interieure ou exterieure et ne posez aucun objet dessus.
  - Si l'unite tombe, vous risquez de vous blesser.
- Ne placez pas d'objet lourd sur le cordon d'alimentation.
  - A defaut, vous vous exposez a un risque d'incendie ou de decharge electrique.
- En cas d'inondation, contactez le service apres-vente.
  - A defaut, vous vous exposez a un risque d'incendie ou de decharge electrique.
- Assurez-vous que les enfants ne montent pas sur l'unite exterieure.
  - A defaut, ils risqueraient de tomber et de se blesser gravement.



## ATTENTION

### Installation

- Installez le tuyau d'evacuation de sorte que l'evacuation se fasse correctement.
  - A défaut, vous risquez une fuite d'eau.
- Installez l'appareil de sorte que le bruit ou l'air chaud degage par l'unité extérieure ne gene pas les voisins.
  - A défaut, vous risquez de provoquer un conflit de voisinage.
- Verifiez toujours l'absence de fuite de gaz apres l'installation ou la reparation de l'appareil.
  - A défaut, vous risquez de provoquer un conflit de voisinage.
- Maintenez l'appareil droit pendant son installation.
  - A défaut, vous risquez une fuite d'eau ou des vibrations.
- L'épaisseur des tuyaux de cuivre utilisés est indiquée dans le tableau "Travail d'évasement".
  - N'utilisez jamais de tuyaux de cuivre plus fins que ceux indiqués dans le tableau, même s'ils sont disponibles sur le marché.
- N'utilisez pas de tuyaux de cuivre qui s'affaissent.
  - Le detendeur ou le tube capillaire pourrait être obstruée par des contaminants.
- Pour le modèle R410A, utilisez les tuyaux, raccords coniques et outils spécifiques pour le réfrigérant R410A.
  - L'utilisation des tuyaux, raccords coniques et outils R22 peut entraîner une pression anormalement élevée dans le cycle du réfrigérant (tuyauterie) et provoquer une explosion et des blessures.
- De préférence, la quantité d'huile résiduelle doit être inférieure à 40 mg/10 m.

### Fonctionnement

- Evitez un refroidissement excessif et aerez la pièce régulièrement.
  - A défaut, il existe un risque pour votre santé.
- Utilisez un chiffon doux pour le nettoyage. N'utilisez pas de cire, de diluant ni de détergent puissant.
  - A défaut, l'appareil pourrait s'abîmer, changer de couleur ou présenter des taches en surface.
- N'utilisez pas l'appareil à des fins particulières comme la conservation d'animaux, d'aliments ou d'œuvres d'art.
  - A défaut, vos biens pourraient être endommagés.
- Ne placez pas d'obstacles devant les grilles d'entrée et de sortie.
  - A défaut, vous vous exposez à un risque d'accident ou de défaillance de l'appareil.

# TABLE DES MATIÈRES

## 3 CONSIGNES DE SECURITE

---

## 7 COMPOSANTS D'INSTALLATION

---

## 7 OUTILLAGE NÉCESSAIRE

---

## 8 SCHÉMA D'INSTALLATION

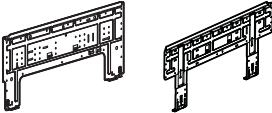




---

## 9 INSTALLATION

---

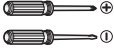








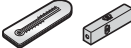


- 9 Choix de l'emplacement
- 10 Fixation de la plaque d'installation
- 10 Perçage d'un trou dans le mur
- 10 Travail d'évasement
- 11 Raccordement de la tuyauterie
- 16 Raccordement de la tuyauterie
- 17 Connexion des câbles
- 19 Vérification de l'évacuation
- 20 Montage de la tuyauterie
- 21 Évacuation de l'air
- 25 Test de fonctionnement
- 26 Installation en bord de mer
- 27 Longueur et dénivelé de la tuyauterie
- 27 Plages de fonctionnement

## COMPOSANTS D'INSTALLATION

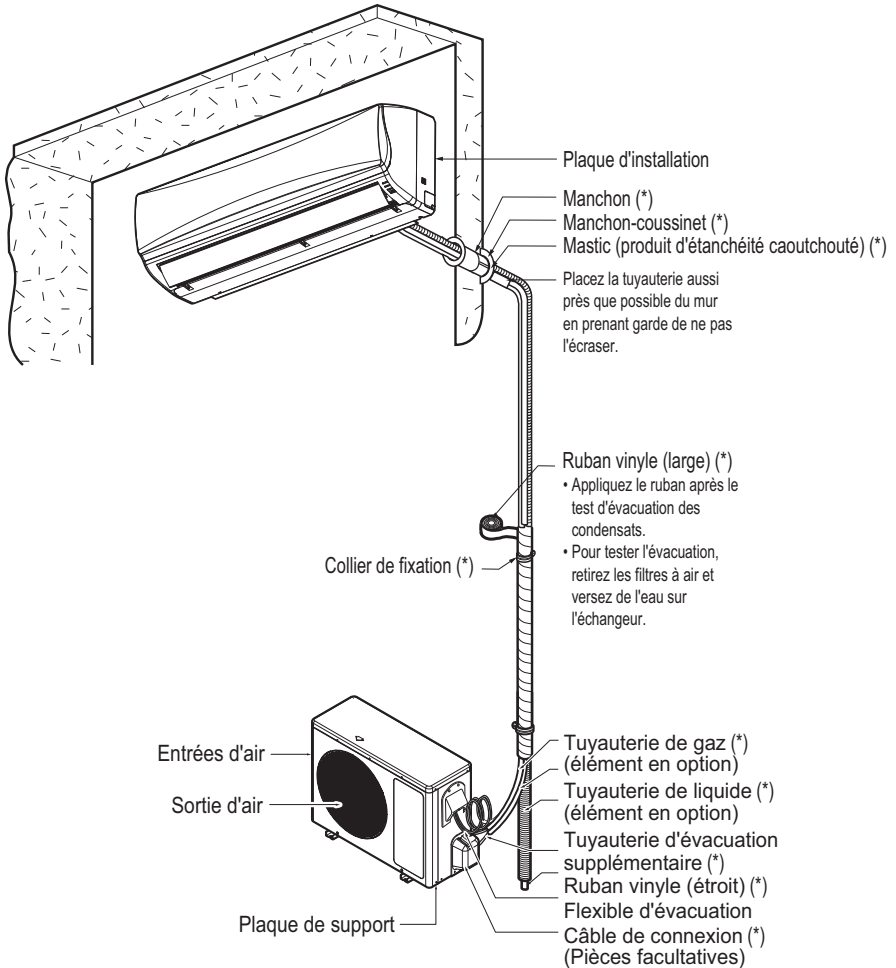
Nom	Quantité	Forme
Plaque d'installation	1 EA	 <p>Le composant peut varier selon le modèle.</p>
Vis de type "A"	8 EA	
Vis de type "B"	2 EA	
Vis de type "C"	2 EA	
Support de télécommande	1 EA	

Les vis de fixation du panneau se trouvent sur le panneau de décoration.

## OUTILLAGE NÉCESSAIRE

Figure	Nom	Figure	Nom
	Tournevis		Multimètre
	Visseuse électrique		Clé hexagonale
	Mètre à ruban, Cutter		Ampère-mètre
	Perceuse et foret		Détecteur de fuite
	Clé plate		Thermomètre, Niveau
	Clé dynamométrique		Dudgeonnière

# SCHÉMA D'INSTALLATION



\* Le composant peut varier selon le modèle.

## ! REMARQUE

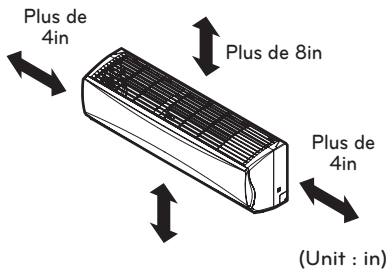
- Vous devez vous procurer les pièces nécessaires à l'installation.

# INSTALLATION

## Choix de l'emplacement

### Unité intérieure

- L'unité ne doit pas être installée à proximité d'une source de chaleur ou de vapeur.
- Aucun obstacle ne doit se trouver autour l'unité.
- Assurez-vous que les condensats sont correctement évacués.
- N'installez pas l'unité à proximité d'une porte.
- Laissez un intervalle de plus de 4in entre le mur et le côté droit ou gauche de l'unité. L'unité doit être placée aussi haut que possible sur le mur et à 8in au moins du plafond.
- Utilisez un détecteur de métaux pour localiser les clous ou chevilles déjà en place et éviter d'endommager le mur.



\* Hauteur recommandée : 6.5ft du sol.

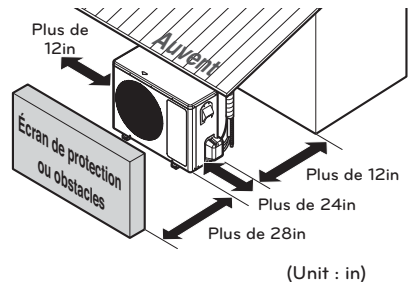
\* Le composant peut varier selon le modèle.

### ! ATTENTION

Retirez les obstacles pour éviter le blocage du flux d'air.

### Unité extérieure

- Si un auvent est construit au-dessus de l'unité pour éviter l'exposition directe au soleil ou à la pluie, assurez-vous que rien ne fait obstacle à la chaleur dégagée par l'échangeur.
- Respectez un espace d'au moins 12in à l'arrière et sur les côtés de l'unité. L'espace devant l'unité doit être au moins de 28in.
- Ne placez pas d'obstacles devant la sortie d'air chaud.
- Tenez compte du poids du climatiseur et sélectionnez un lieu où le bruit et les vibrations sont réduits au minimum.
- Choisissez un emplacement où l'air chaud et le bruit générés par l'appareil ne dérangeront pas vos voisins.

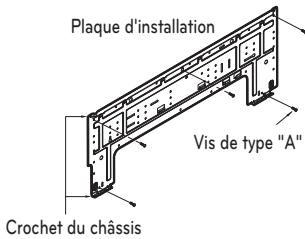


## Unité intérieure

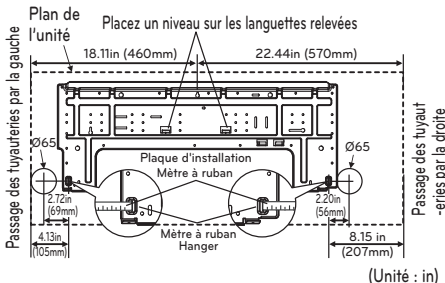
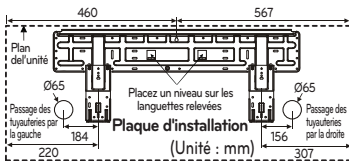
### Fixation de la plaque d'installation

Le mur sur lequel vous allez effectuer l'installation doit être suffisamment solide pour protéger l'unité contre les vibrations.

- Fixez la plaque d'installation sur le mur à l'aide des vis de type "A". En cas de fixation sur un mur en béton, utilisez des boulons d'ancrage.
  - Fixez la plaque d'installation horizontalement en alignant la ligne de repère centrale à l'aide d'un mètre.



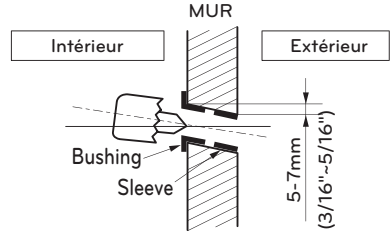
- Mesurez le mur et marquez la ligne de repère centrale. Soyez vigilant également dans le choix de l'emplacement de la plaque d'installation. L'acheminement des câbles se fait généralement à travers les murs. Prenez donc les précautions nécessaires lorsque vous percez le trou de fixation.



Les deux plaques de montage peuvent être utilisés pour ce modèle.

### Perçage d'un trou dans le mur

- Percez un trou pour la tuyauterie à l'aide d'un foret de 65 mm de diamètre.
- Percez le trou du côté droit ou gauche en inclinant le foret légèrement vers le bas.

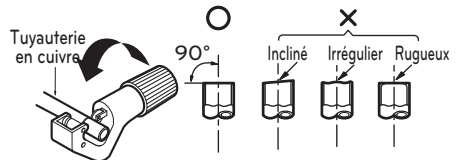


### Travail d'évasement

Les fuites de gaz proviennent principalement d'un défaut de raccordement. Il convient donc d'effectuer les raccordements en respectant la procédure suivante.

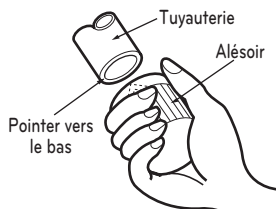
### Coupez les tuyauteries et le câble

- Utilisez le kit d'accessoires ou achetez des tuyauteries sur place.
- Mesurez la distance entre l'unité intérieure et l'unité extérieure.
- La longueur de tuyauterie doit être légèrement supérieure à la distance mesurée.
- Coupez la tuyauterie à une longueur de 1.5m (4.9 ft) supérieure à celle Mesurée.



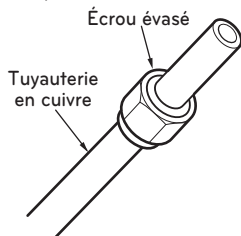
## Ebavurage

- 1 Ebavurez complètement la partie de la tuyauterie que vous avez coupée.
- 2 Pendant cette opération, dirigez l'extrémité de la tuyauterie vers le bas afin d'éviter que des particules ne tombent à l'intérieur.



## Pose des écrous

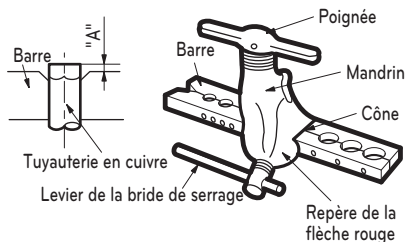
- Retirez les écrous évasés fixés sur les unités intérieure et extérieure, puis placez-les sur la tuyauterie après avoir éliminé les bavures (il est impossible de les fixer après le travail d'évasement).



## Évasement

- 1 Maintenez fermement le tuyau en cuivre avec les dimensions indiquées dans le tableau ci-dessous.
- 2 Réalisez le travail d'évasement à l'aide de l'outil d'évasement.

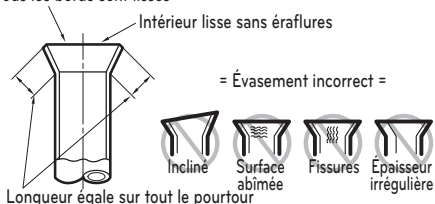
Diamètre extérieur		A	Épaisseur
mm	pouce	mm	mm
Ø6.35	1/4"	1.1~1.3	0.7
Ø9.52	3/8"	1.5~1.7	0.8
Ø12.7	1/2"	1.6~1.8	0.8
Ø15.88	5/8"	1.6~1.8	1.0



## Contrôle

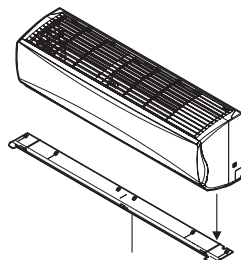
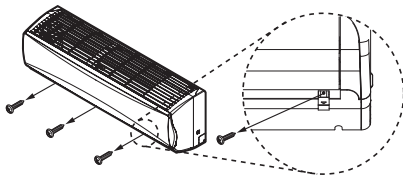
- 1 Comparez le résultat de l'évasement avec le schéma ci-contre.
- 2 Si une section d'évasement est incorrecte, coupez-la et recommencez l'opération.

Tous les bords sont lisses



## Raccordement de la tuyauterie

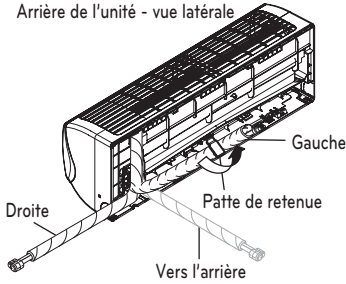
- 1 Ouvrez le panneau de l'unité intérieure.
- 2 Déposez le capot du châssis de l'appareil en desserrant 3 vis.



Couvercle du châssis

- 3 Retirez la patte de retenue de la tuyauterie.
- 4 Enlevez le système de bouchage et positionnez la tuyauterie.

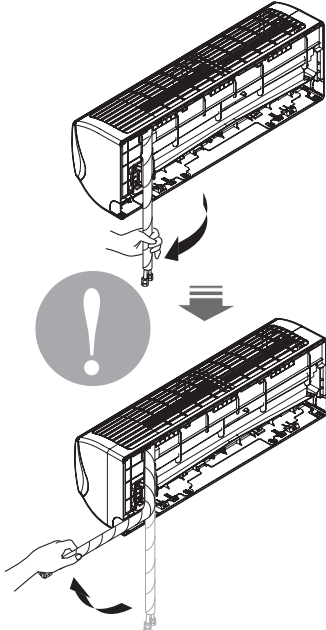
Arrière de l'unité - vue latérale



\* Le composant peut varier selon le modèle.

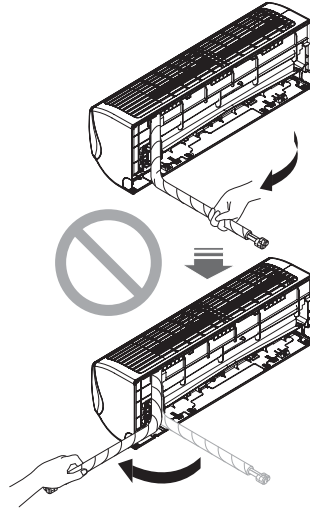
### Méthode correcte

- Appuyez sur le cache de la tuyauterie et dépliez doucement celle-ci vers le bas. Courbez-la légèrement vers la gauche.



### Méthode incorrecte

- Si vous pliez la tuyauterie de la gauche vers la droite, vous risquez de l'abîmer.

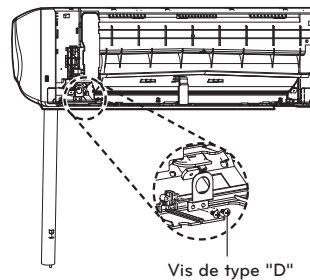


\* Le composant peut varier selon le modèle.

### ! ATTENTION

Remarques sur l'installation. Pour une mise en place correcte des tuyauteries, suivez les instructions ci-dessous.

Avant d'incliner le tube, positionnez le conduit comme sur l'image ci-dessous au moyen du support et des vis noires de la trousse d'accessoires.

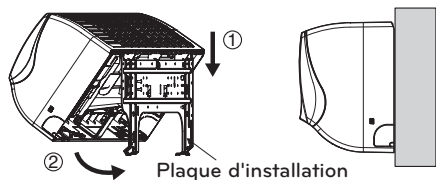


Vis de type "D"

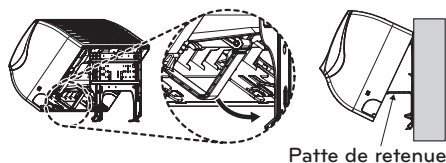


## Installation de l'unité intérieure

- 1 Accrochez l'unité intérieure à la partie supérieure de la plaque d'installation. (Engagez les trois crochets situés en haut de l'unité intérieure sur le bord supérieur de la plaque d'installation.) Vérifiez que les crochets sont bien en place sur la plaque d'installation en bougeant latéralement l'unité.



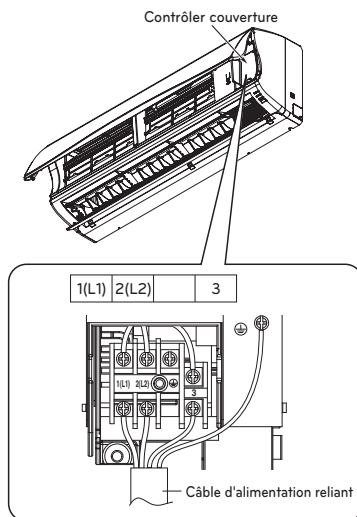
- 2 Débloquez la patte de retenue du châssis et insérez-la entre le châssis et la plaque d'installation afin de séparer du mur la partie basse de l'unité intérieure.



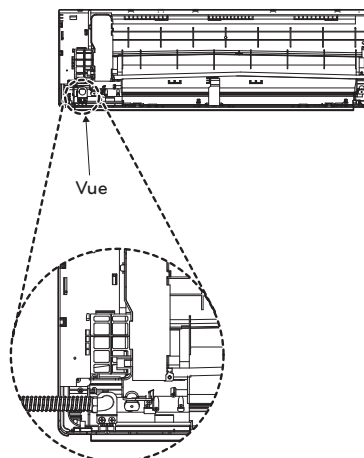
\* Le composant peut varier selon le modèle.

## Tuyauteries

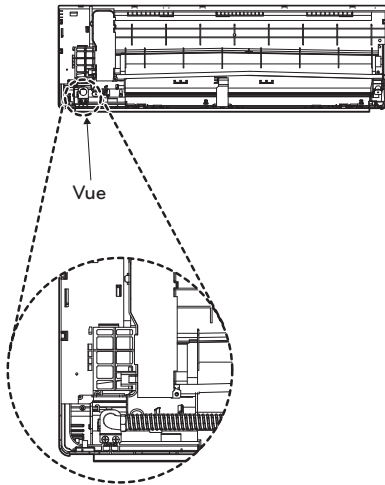
- 1 Soulevez le cache de la plaque de bornes.
- 2 Insérez le câble de connexion dans l'ouverture en bas de l'unité intérieure et raccordez-le (voir la section "Raccordement des câbles" pour plus de détails).



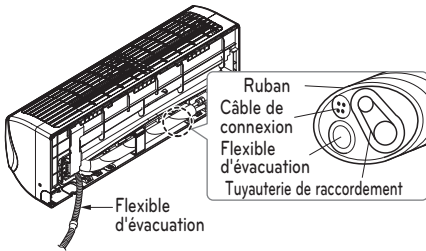
<Tuyauterie côté gauche>



## &lt;Tuyauterie côté droit&gt;



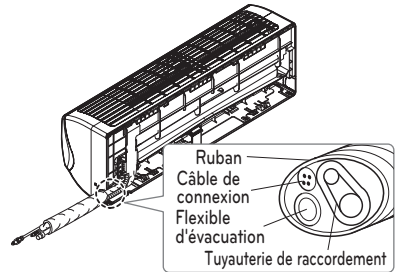
- 3 Raccordez les tuyauteries, le flexible d'évacuation et le câble de connexion. Veillez à ce que le flexible d'évacuation se trouve en dessous de toutes les tuyauteries. Le fait qu'il soit au-dessus des autres risque d'entraîner un débordement du bac d'évacuation dans l'unité.



## ! REMARQUE

Insérer le tuyau de vidange du côté gauche lorsque vous utilisez la tuyauterie de gauche.

## &lt;Tuyauterie côté gauche&gt;



\* Le composant peut varier selon le modèle.

## ! ATTENTION

Utilisez le conduit équipé d'un coude (en forme de L).

Méthode:

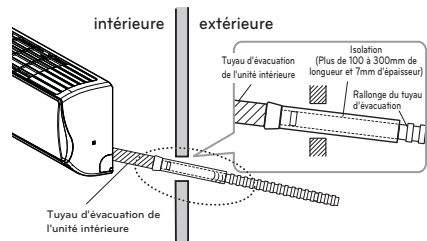
1. Démontez le support (à partir de l'unité intérieure)
2. Montez-le avec le conduit
3. Remontez-le avec l'unité intérieure.



## ! ATTENTION

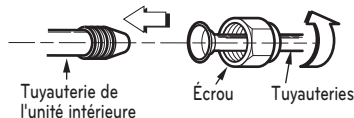
Si le flexible d'évacuation traverse la pièce, isolez-le à l'aide d'un matériau isolant approprié\* pour éviter que d'éventuelles gouttes d'eau dues à la condensation endommagent le sol ou les meubles.

\* Il est recommandé d'utiliser de la mousse de polyéthylène ou un produit équivalent.



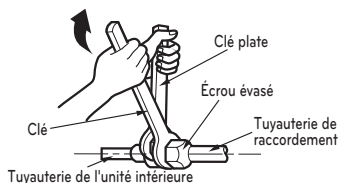
## Raccordement de la tuyauterie et du flexible d'évacuation à l'unité intérieure

- 1 Alignez le centre des tuyauteries et resserez manuellement l'écrou.

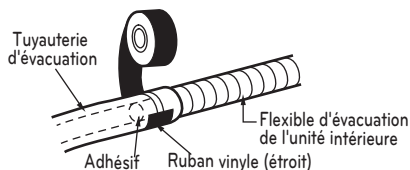


- 2 Serrez l'écrou l'aide d'une clé.

Diamètre extérieur		pouce	
mm	Couple	kgf·cm	N·m
Ø6.35	1/4	180~250	17.6~24.5
Ø9.52	3/8	340~420	33.3~41.2
Ø12.7	1/2	550~660	53.9~64.7
Ø15.88	5/8	630~820	61.7~80.4

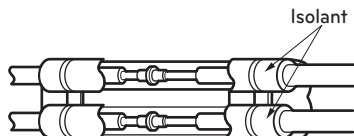


3. S'il est nécessaire d'étendre le flexible de l'unité intérieure, installez la tuyauterie d'évacuation comme indiqué sur le schéma.

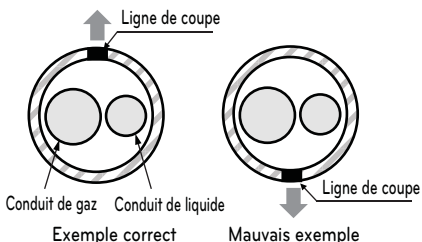


## Enveloppez la zone du raccordement avec le matériau isolant

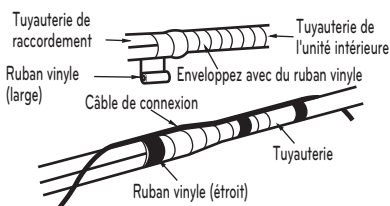
- 1 Faites chevaucher le matériau isolant de la tuyauterie de raccordement avec le matériau isolant de la tuyauterie de l'unité intérieure. Maintenez-les ensemble à l'aide d'un ruban vinyle en évitant les interstices.



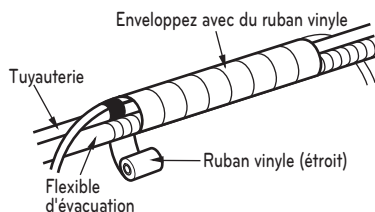
- 2 Finissez la ligne de coupe du tube vers le haut. Enveloppez la zone de raccordement à l'arrière des tuyauteries avec du ruban.



- \* La ligne de coupe du tube doit être orientée vers le haut.

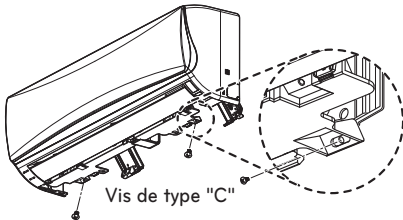
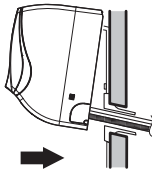


- 3 Regroupez les tuyauteries et le flexible d'évacuation en les enveloppant à l'aide de ruban vinyle sur toute la longueur de leur raccordement à l'arrière de l'unité.



## Finaliser l'installation de l'unité intérieure

- 1 Remettez la patte de retenue des tuyauteries en place.
- 2 Assurez-vous que les crochets sont bien en place sur la plaque d'installation en bougeant latéralement l'unité.
- 3 Poussez l'unité contre la plaque d'installation en appuyant sur les côtés droit et gauche jusqu'à ce que les crochets soient entièrement enclenchés dans les encoches prévues (vous devez entendre un clic).
- 4 Terminez le montage en vissant l'unité à la plaque d'installation à l'aide de deux vis de type "C". Remettez le capot du châssis en place.



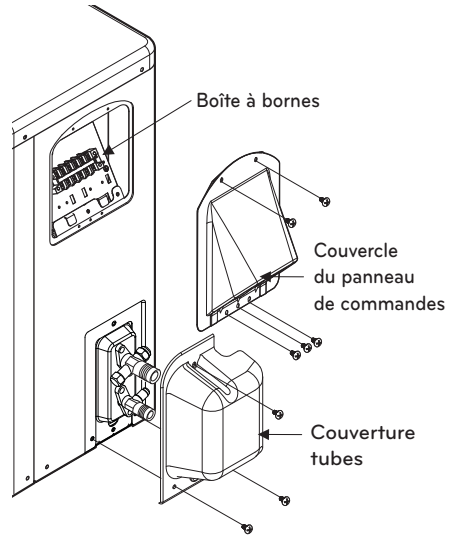
### ⚠ ATTENTION

- Avant de terminer l'installation de l'unité intérieure, scellez tous les trous du mur sauf les passages du tuyau afin de protéger le condensat du flux d'air de l'air extérieur.

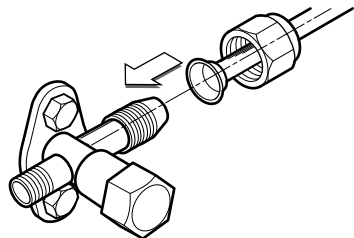
## Unité extérieure

### Raccordement de la tuyauterie

- Retirez le cache des tuyauteries de l'unité en desserrant la vis.

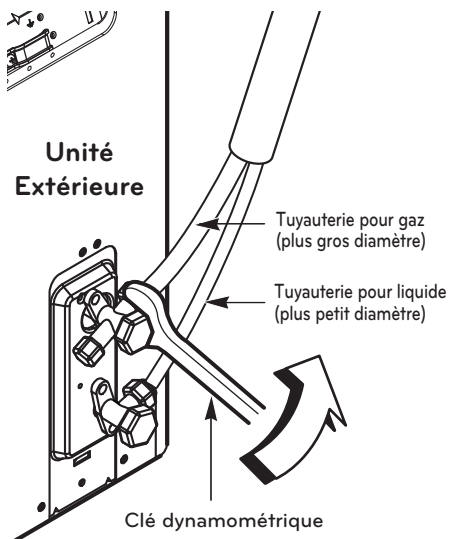


- Aligned le centre des tuyauteries et serrez le raccord conique à la main.



- Serrez ensuite l'écrou évasé à l'aide d'une clé jusqu'à ce que vous entendiez un clic.

Lors du serrage avec la clé, suivez bien la flèche de direction indiquée sur la clé.



Diamètre extérieur		Couple	
mm	pouce	kgf·cm	N·m
Ø6.35	1/4	180~250	17.6~24.5
Ø9.52	3/8	340~420	33.3~41.2
Ø12.7	1/2	550~660	53.9~64.7
Ø15.88	5/8	630~820	61.7~80.4

## Connexion des câbles

Connectez le câble électrique à l'unité intérieure en reliant les fils à la borne dans le coffret électrique en fonction de la connexion de l'unité extérieure. (Assurez-vous que les couleurs des fils de l'unité extérieure et des bornes correspondent à celles de l'unité intérieure.)

### ! ATTENTION

- Le schéma électrique peut faire l'objet de modifications sans préavis.
- Le câble de terre doit être plus long que les autres.
- Pendant l'installation, utilisez le schéma électrique figurant sur le couvercle du châssis.
- Connectez solidement les câbles afin d'éviter qu'ils se détachent facilement.
- Effectuez les connexions en respectant les couleurs des fils indiquées par le schéma.

### ! ATTENTION

- Montez-le avec le conduit

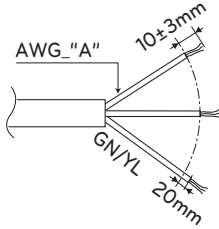


### ! ATTENTION

Le cordon d'alimentation raccorde à l'unité extérieure doit être conforme aux spécifications suivantes (accepte UL et certifié CSA).

**ATTENTION**

Le cordon d'alimentation raccordé à l'unité extérieure doit être conforme aux spécifications suivantes (accepté UL et certifié CSA).

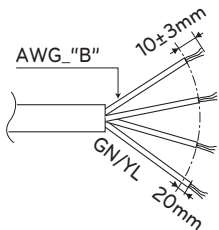


Cordon d'alimentation

(mm<sup>2</sup>)

Alimentation	Grade(Btu/h)
	24k
"A"	12

Le cordon d'alimentation raccordé à l'unité intérieure et à l'unité extérieure doit être conforme aux spécifications suivantes (accepté UL et certifié CSA).



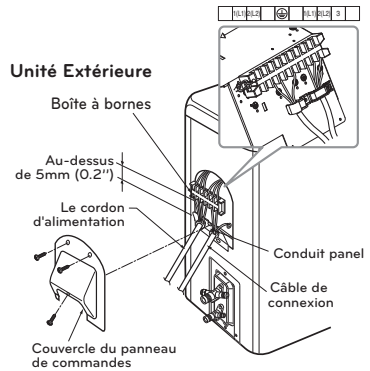
Câble de connexion

(mm<sup>2</sup>)

Câble de connexion	Grade(Btu/h)
	24k
"B"	18

- Connectez individuellement les fils aux bornes du coffret électrique.
- Fixez le câble dans le coffret électrique à l'aide du collier.
- Utilisez un disjoncteur agréé entre la source d'alimentation et l'unité. Vous devez installer un dispositif de déconnexion permettant de déconnecter correctement toutes les lignes d'alimentation.

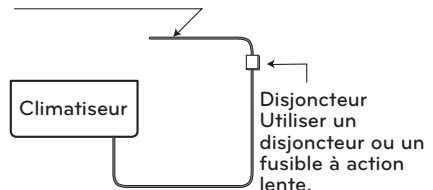
Coupe-circuit(A)	Grade(Btu/h)
	24k
	25



**ATTENTION**

Installez le disjoncteur entre la source d'alimentation et l'unité comme indiqué sur le schéma.

Source d'alimentation principale



## ! ATTENTION

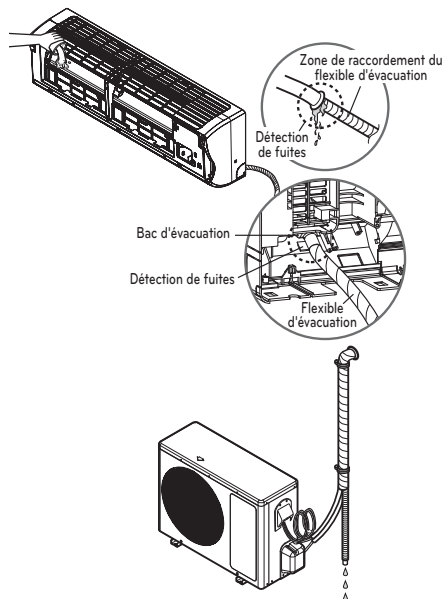
Après avoir vérifié que les conditions ci-dessus sont réunies, préparez le câblage comme suit.

- 1 Prévoyez toujours une alimentation séparée pour l'unité intérieure. Pour le câblage, référez-vous au schéma électrique figurant sur le couvercle du coffret électrique.
- 2 Les vis maintenant les fils branchés sur les bornes risquent de se desserrer sous l'effet des vibrations auxquelles l'appareil est soumis pendant son transport. Vérifiez-les et assurez-vous qu'elles sont bien serrées. (Si elles sont desserrées, les fils risquent d'être endommagés.)
- 3 Caractéristiques de l'alimentation source.
- 4 Vérifiez que la puissance électrique est suffisante.
- 5 Assurez-vous que la tension de démarrage se maintient à un niveau supérieur à 90% de la tension nominale indiquée sur la plaque signalétique.
- 6 Vérifiez que la section des câbles correspond aux spécifications relatives à l'alimentation électrique. (contrôlez en particulier le rapport entre la longueur du câble et la section).
- 7 Dans une zone humide, vous devez toujours installer un disjoncteur de fuite à la terre.
- 8 Les chutes de tension peuvent provoquer les problèmes suivants :
  - Vibration d'un contacteur magnétique, endommagement du point de contact, coupure de fusible, dysfonctionnement du dispositif de protection contre les surcharges électriques.
- 9 Il convient d'incorporer un dispositif de déconnexion de l'alimentation électrique dans le système de câblage fixe et de prévoir une séparation de contact d'au moins 3 mm dans chaque conducteur actif (phase).

## Vérification de l'évacuation

### Vérification de l'évacuation

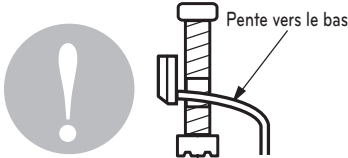
- 1 Versez un verre d'eau sur l'évaporateur.
- 2 Assurez-vous que l'eau s'écoule dans le flexible d'évacuation de l'unité intérieure sans fuite, jusqu'au raccordement sur la tuyauterie d'évacuation.



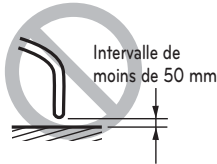
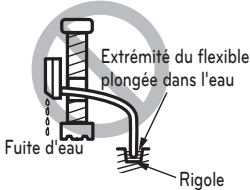
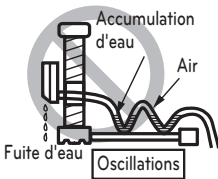
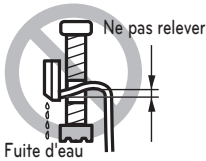
\*Le composant peut varier selon le modèle.

## Tuyauteries d'évacuation

- 1 Le flexible d'évacuation doit être dirigé vers le bas pour faciliter l'écoulement.



- 2 N'installez pas les tuyauteries d'évacuation comme dans les schémas ci-dessous.

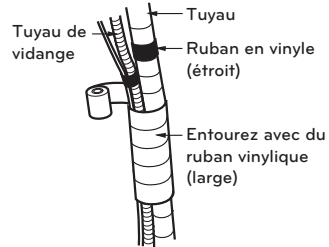


\* Le composant peut varier selon le modèle.

## Montage de la tuyauterie

Former les tuyaux en entourant la partie de raccordement de l'unité intérieure d'un matériau isolant et le fixer à deux types de bandes de vinyle.

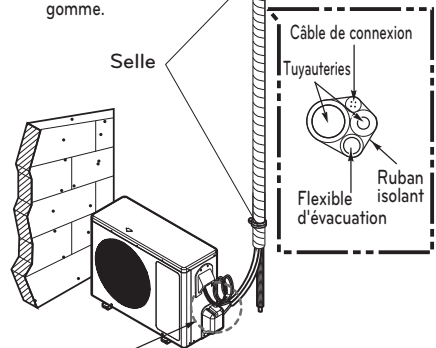
- Si vous souhaitez raccorder un tuyau de vidange supplémentaire, la fin de la sortie de vidange doit passer au-dessus du sol. Fixer le tuyau de vidange de manière appropriée.



Si l'unité extérieure est installée au-dessous de l'unité intérieure, procédez comme suit :

- 1 Enveloppez la tuyauterie, le flexible d'évacuation et le câble de raccordement du bas vers le haut.
- 2 Fixez la tuyauterie enveloppée le long du mur extérieur à l'aide d'un collier ou d'un support équivalent.

Fermez les petites ouvertures autour de la tuyauterie à l'aide d'un matériau étanche de type gomme.



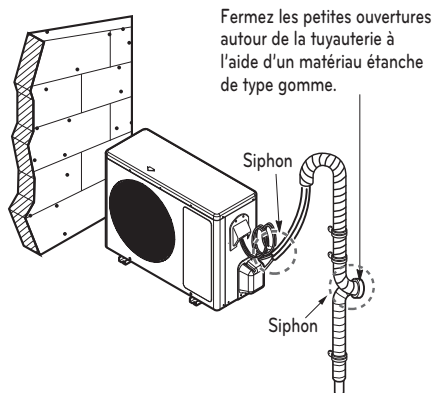
Mettez en place un siphon pour empêcher l'eau d'accéder aux composants électriques.

\*Le composant peut varier selon le modèle.



Si l'unité extérieure est installée au-dessus de l'unité intérieure, procédez comme suit :

- 1 Enveloppez la tuyauterie et le câble dans du ruban de bas en haut.
- 2 Fixez la tuyauterie le long du mur extérieur. Mettez en place un siphon pour empêcher l'eau de pénétrer dans la pièce.
- 3 Fixez la tuyauterie le long du mur à l'aide d'un collier ou d'un support équivalent.



\*Le composant peut varier selon le modèle.

## Évacuation de l'air

L'air et l'humidité qui restent dans le circuit frigorifique ont des conséquences indésirables sur le système, comme indiqué ci-après.

- La pression augmente.
- Le courant de fonctionnement augmente.
- L'efficacité du refroidissement (ou du chauffage) diminue.
- L'humidité dans le circuit frigorifique peut geler et bloquer les tuyauteries.
- L'eau peut entraîner la corrosion de certains composants du système.

Par conséquent, après évacuation du système, vous devez vérifier l'absence de fuite au niveau de la tuyauterie et des flexibles entre les unités intérieure et extérieure.

## Évacuation de l'air avec une pompe à vide

- Préparation  
Vérifiez que les tuyauteries (gaz et liquide) entre l'unité intérieure et l'unité extérieure sont correctement raccordées et que le câblage nécessaire au test est en place. Retirez le bouchon des vannes de service, côté gaz et côté liquide de l'unité extérieure. À ce stade, ces vannes doivent être fermées.
- Test d'étanchéité  
Raccordez la vanne du collecteur (avec le manomètre) et le cylindre d'azote sec à la vanne de service à l'aide des flexibles de charge.

### ⚠ ATTENTION

Pour évacuer l'air, utilisez une vanne de collecteur. A défaut, utilisez une vanne d'arrêt. La molette de la vanne à 3 voies doit rester fermée.

- Pressurisez le système à une pression maximale de 250 P.S.I.G. (17.6 kgf/cm<sup>2</sup>G) (modèle R-22) ou 400 P.S.I.G. (28.1 kgf/cm<sup>2</sup>G) (modèle R-410A) avec de l'azote sec et fermez le robinet de la bouteille lorsque le manomètre atteint 250 P.S.I.G. (17.6 kgf/cm<sup>2</sup>G) (modèle R-22) ou 400 P.S.I.G. (28.1 kgf/cm<sup>2</sup>G) (modèle R-410A). L'étape suivante est un test d'étanchéité à l'aide de savon liquide.

### ⚠ ATTENTION

Pour éviter que l'azote ne pénètre dans le système frigorifique à l'état liquide, le bout du cylindre doit être plus haut que sa base pendant la pressurisation. Habituellement, le cylindre est utilisé en position verticale.

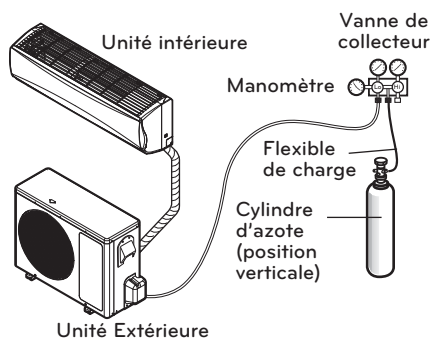
### ⚠ AVERTISSEMENT



Risque d'incendie et d'explosion.

- Utilisez un gaz interne (azote) lorsque vous recherchez la présence de fuites sur les tuyaux, procédez au nettoyage ou réparez des tuyaux, etc. Si vous utilisez un gaz combustible comme l'oxygène, vous risquez un incendie ou une explosion.

- Effectuez le test de fuite au niveau de tous les joints de la tuyauterie (intérieure et extérieure) et des vannes de service (gaz et liquide). L'apparition de bulles indique la présence d'une fuite. Utilisez un chiffon propre pour essuyer l'eau savonneuse le cas échéant.
- Une fois le test terminé, réduisez la pression d'azote en desserrant le raccord du flexible de charge sur le cylindre. Lorsque la pression du système est redevenue normale, débranchez le flexible du cylindre.



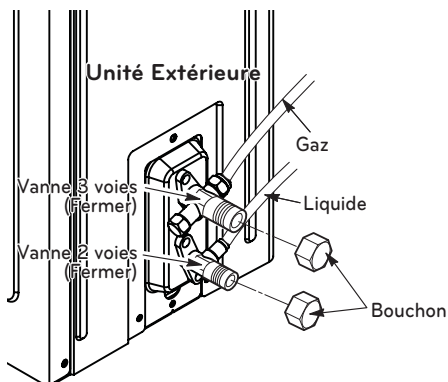
\*Le composant peut varier selon le modèle.

### Utilisation d'eau savonneuse

- Retirez les bouchons des vannes à 2 voies et 3 voies.
- Retirez le bouchon de la vanne à 3 voies.
- Appliquez de l'eau savonneuse ou un détergent liquide neutre sur les raccords des unités intérieures ou extérieures en utilisant un pinceau souple afin de détecter d'éventuelles fuites.
- La présence de bulles indique une fuite.

### Évacuation

- Raccordez le bout du flexible de charge décrit plus haut sur la pompe à vide pour évacuer la tuyauterie et l'unité intérieure. Vérifiez que le bouton « Lo » de l'indicateur de pression est ouvert. Mettez la pompe à vide en marche. La durée de l'évacuation varie selon la longueur de la tuyauterie et la puissance de la pompe. Le tableau suivant indique le temps requis pour l'évacuation.



\*Le composant peut varier selon le modèle.

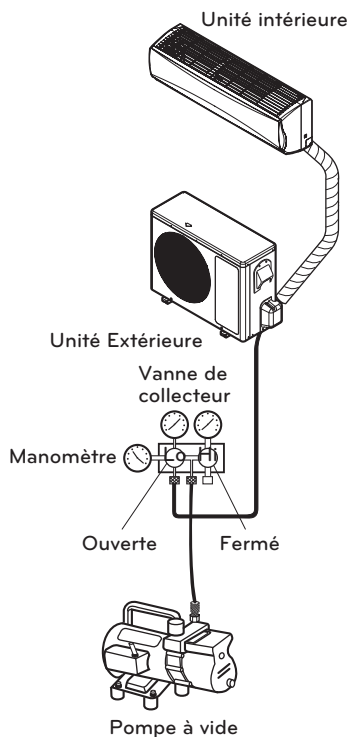
Temps nécessaire pour l'évacuation lorsque la pompe à vide 30 gal/h est utilisée

Longueur du tube inférieure à 10m	Longueur du tube supérieure à 10m
10 min. ou plus	15 min. ou plus

- Une fois le vide atteint, fermez le bouton « Lo » de la vanne à 3 voies et arrêtez la pompe à vide.

## Pour finir l'installation

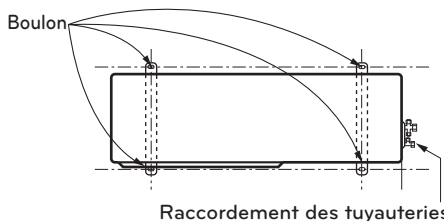
- tt- À l'aide d'une clé adaptée, tournez la vanne de liquide dans le sens anti-horaire pour ouvrir entièrement la vanne.
- Tournez la vanne de gaz dans le sens anti-horaire pour ouvrir entièrement la vanne.
- Desserrez légèrement le flexible de charge raccordé à la vanne de service côté gaz pour réduire la pression, puis enlevez le flexible.
- Remplacez l'écrou évasé et son chapeau au niveau de la vanne de service côté gaz et resserrez l'écrou évasé fermement à l'aide d'une clé de serrage. Cette opération est très importante pour éviter les fuites du système.



- Remplacez les bouchons des vannes de service de liquide et de gaz et serrez-les fermement. L'évacuation de l'air avec la pompe à vide est ainsi terminée.
- Remettez en place le système de bouchage de tuyauterie sur l'unité extérieure en fixant une vis. Le climatiseur est désormais prêt pour le test de fonctionnement.

## Installation de l'unité extérieure

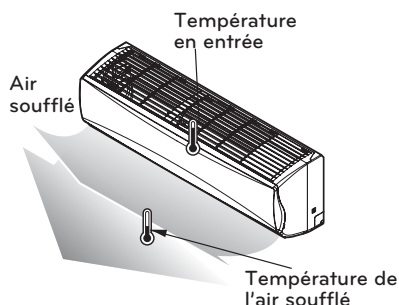
- Placez l'unité extérieure sur un sol plan en béton ou un support solide et fixez-la fermement à l'aide d'un écrou et d'un boulon (10 mm de diamètre).
- En cas d'installation murale ou sur le toit, fixez solidement la base de montage sur un support de fixation adéquat en prenant en compte les risques météorologiques.
- Pour éviter que les vibrations de l'unité ne soient transmises aux tuyauteries, installez un patin anti-vibration en caoutchouc.



## Évaluation des performances

Mettez en marche l'unité pendant 15 à 20 minutes, puis vérifiez la charge du fluide frigorigène :

- Mesurez la pression au niveau de la vanne de service de gaz.
- Mesurez la température de l'entrée d'air et du refoulement du climatiseur.
- Assurez-vous que la différence entre les températures en entrée et en sortie est supérieure à 46°F.
- Pour référence, la pression optimale côté gaz est telle qu'indiquée dans le tableau (froid) : Le climatiseur est désormais prêt à fonctionner.



Fluide frigorigène	TEMP. extérieure	Pression de la vanne côté gaz
R-22	95°F(35°C)	4~5kg/cm <sup>2</sup> G (56.8~71.0 P.S.I.G.)
R-410A	95°F(35°C)	8.5~9.5kg/cm <sup>2</sup> G (120~135 P.S.I.G.)

\*Le composant peut varier selon le modèle.

## Pump Down

Cette opération est effectuée lorsque l'unité est déplacée ou que le circuit frigorifique nécessite un entretien. L'opération de Pump Down consiste à recueillir tout le fluide frigorigène contenu dans l'unité extérieure sans perte de gaz.

### ! ATTENTION

La procédure de Pump Down s'effectue en mode Froid.

## Procédure de Pump Down

- Raccordez un manomètre basse pression au port de charge de la vanne de service côté gaz.
- Ouvrez la vanne de service côté gaz à mi-course et purgez l'air du flexible du manomètre à l'aide du fluide frigorigène.
- Fermez la vanne de service côté liquide (complètement).
- Démarrez l'unité et lancez le mode Froid.
- Lorsque le manomètre basse pression indique une valeur de 1 à 0.5kg/cm<sup>2</sup> G (14.2 à 7.1 P.S.I.G.), fermez complètement la vanne côté gaz, puis mettez rapidement l'unité hors tension. À ce stade, l'opération de Pump Down est terminée et tout le fluide frigorigène est recueilli dans l'unité extérieure.

### ! REMARQUE

Si la pression est supérieure à la valeur spécifiée, le système est probablement en surcharge ; vous devez donc retirer du fluide frigorigène. Si la pression est inférieure à la valeur spécifiée, le système est probablement en sous-charge ; vous devez donc rajouter du fluide frigorigène.

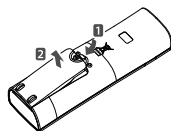
## Test de fonctionnement

- Vérifiez que les tuyauteries et les câbles sont correctement connectés.
- Vérifiez que les vannes de service gaz et liquide sont totalement ouvertes.

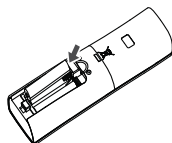
### Préparation de la télécommande

Les piles utilisées sont de type AAA (1,5V).

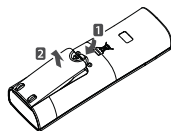
- 1 Retirez le cache des piles en suivant le sens de la flèche.



- 2 Insérez les nouvelles piles en veillant à respecter les polarités + et -.



- 3 Remettez le cache en place.



#### ! REMARQUE

- Utilisez deux piles de type AAA (1,5 volt). N'utilisez pas de piles rechargeables.
- Retirez les piles de la télécommande si vous prévoyez de ne pas utiliser le système pendant une période prolongée.

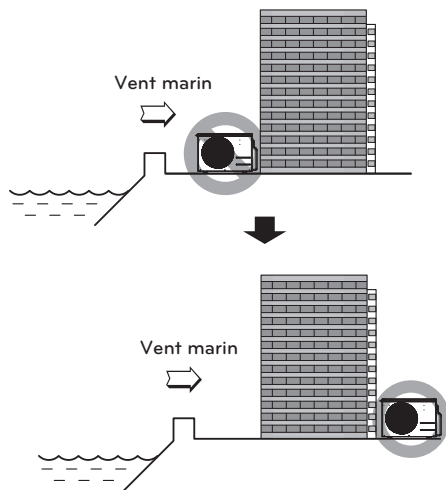
## Installation en bord de mer

### ! ATTENTION

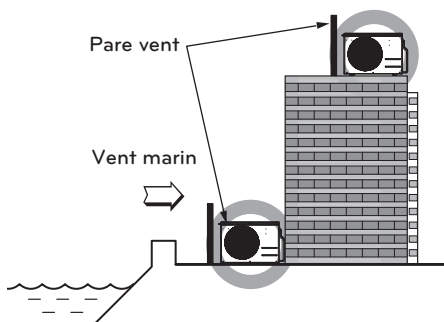
- Les climatiseurs ne devraient pas être installés dans des endroits où sont produits des gaz corrosifs tels que les gaz acides ou alcalins.
- Ne pas installer le produit dans un emplacement directement exposé au vent marin (embruns salés). Cela peut provoquer la corrosion du produit. La corrosion, tout particulièrement au niveau du Condenseur et des ailettes de l'évaporateur, pourrait provoquer un fonctionnement inadapté ou inefficace.

## Sélection de l'emplacement (Unité Extérieure)

- Si l'unité intérieure doit être installée à proximité du bord de mer, évitez toute exposition directe au vent marin.
- Installez l'appareil du côté opposé du sens du vent.



Si vous installez l'unité extérieure à proximité du bord de mer, installez un pare vent pour la protéger.



- Doit être suffisamment solide, comme du béton, pour résister au vent.
- Les dimensions doivent être environ 1,5 fois plus grandes que celles de l'unité (150%).
- Respectez au minimum 70cm entre l'unité et le pare vent pour la circulation de l'air.

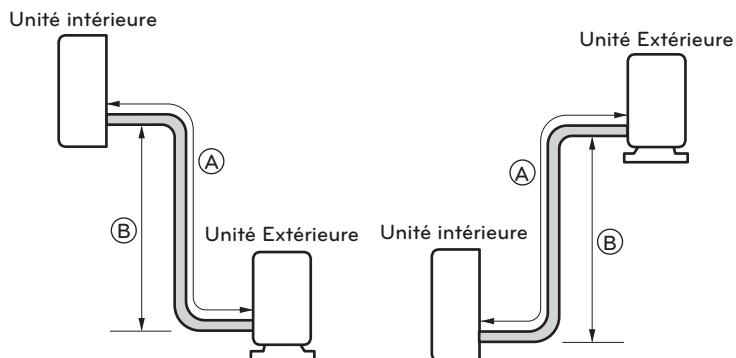
Sélectionnez un emplacement bien ventilé.

### ! REMARQUE

- Faites un nettoyage périodique (plus d'une fois par an) de la poussière et du sel collés sur l'échangeur de chaleur en utilisant de l'eau.
- \* N'utilisez pas d'eau de mer pour nettoyer l'échangeur thermique.

## Longueur et dénivelé de la tuyauterie

Puissance (Btu/h)	Taille de tuyauterie				Longueur standard m(ft)	Hauteur Maxi ⓑ m(ft)	Longueur Min Ⓐ m(ft)	Longueur Maxi Ⓐ m(ft)	Fluide frigorigène supplé- mentaire 7.5m(24.6ft)	
	GAZ		LIQUIDE						g/m	oz/ft
	mm	pouce	mm	pouce						
24k	Ø15.88	5/8	Ø9.52	3/8	7.5(24.6)	15(49.2)	-	30(98.4)	35	0.38



### ATTENTION

La puissance est définie en fonction de la longueur standard et la longueur maximale autorisée est définie en fonction de la fiabilité.

Au-delà de il n'est pas nécessaire d'en rajouter, en fonction de la fiabilité 24.6ft(7.5m).

## Plages de fonctionnement

Le tableau ci-dessous indique les plages de température auxquelles le climatiseur peut fonctionner.

Mode	Température intérieure	Température extérieure
Mode refroidissement	64.4°F~89.6°F(18°C~32°C)	-0.4°F~118.4°F(-18°C~48°C)







**FRIEDRICH**

1883

# Manual de instalación

## SISTEMA SPLIT SIN CONDUCTOS



TIPO : MONTADO EN LA PARED

Applied Models : M24CJ

ESPAÑOL

THE EXPERTS IN ROOM AIR CONDITIONING

960-911-03

## CONSEJOS PARA AHORRAR ENERGÍA

Estos consejos le ayudarán a reducir el consumo de energía cuando utilice el aire acondicionado. Podrá utilizar el aparato de aire acondicionado de forma eficiente siguiendo estas instrucciones:

- No enfríe excesivamente los espacios. Puede ser nocivo para su salud y consumirá más electricidad.
- Evite el paso de la luz solar con persianas o cortinas cuando esté utilizando el aire acondicionado.
- Mantenga las puertas y ventanas bien cerradas mientras tenga en funcionamiento el aire acondicionado.
- Ajuste la dirección del flujo de aire vertical u horizontalmente para que circule el aire en el interior.
- Aumente la velocidad del ventilador para enfriar o calentar el aire interior con rapidez y en periodo corto de tiempo.
- Abra las ventanas con regularidad para ventilar, porque la calidad del aire interior puede deteriorarse si se utiliza el aire acondicionado durante muchas horas.
- Limpie el filtro del aire una vez cada dos semanas.  
El polvo y las impurezas recogidas en el filtro de aire puede bloquear el flujo de aire o debilitar las funciones de refrigeración / deshumidificación.

### Como referencia

Grabe el justificante de compra en esta página, ya que será su prueba de compra para la garantía. Escriba aquí el número de modelo y el número de serie:

Número de modelo: \_\_\_\_\_

Número de serie: \_\_\_\_\_

Los encontrará en una etiqueta en el lateral de cada unidad.

Número de modelo: \_\_\_\_\_

Número de serie: \_\_\_\_\_

# Medidas de seguridad

*Para evitar que el usuario u otras personas sufran lesiones o se produzcan danos materiales, sedeben seguir las instrucciones indicadas a continuacion.*

Asegurese de leer la informacion pertinente antes de instalar el equipo de aire acondicionado. Asegurese de tener en cuenta las precauciones especificadas, ya que incluyen elementos importantes relacionados con la seguridad.

Si no se siguen las instrucciones, la unidad puede no funcionar correctamente y producirse lesiones o danos materiales. El nivel de gravedad se clasifica mediante las siguientes indicaciones.

## ADVERTENCIA

Este simbolo indica la posibilidad de muerte o lesion grave.

## PRECAUCIÓN

Este simbolo indica la posibilidad de lesiones o danos materiales unicamente.

## ADVERTENCIA

- Las instalaciones o reparaciones realizadas por personas no cualificadas pueden dar lugar a peligros para usted y otras personas.
- Aparato debera ser instalado de acuerdo con las normas nacionales de cableado.
- Si el cable de alimentacion esta danado, debera ser sustituido por el fabricante, su agente de servicio o personal con la cualificacion necesaria para evitar peligros.
- La informacion de este manual está dirigida a personal técnico cualificado, familiarizado con los procedimientos de seguridad y equipado con las herramientas e instrumentos de prueba adecuados.
- Lea detenidamente y cumpla con todas las instrucciones de este manual. De lo contrario, el aparato podría no funcionar correctamente, o producirse lesiones graves o mortales y daños materiales.
- Cuando el cable de alimentacion debe ser sustituido, trabajos de sustitucion se llevara a cabo unicamente por personal autorizado utilizando unicamente piezas de repuesto originales.

## Instalación

- Establezca siempre una toma a tierra.
  - De lo contrario, pueden producirse descargas electricas.
- No utilice cables de alimentacion, enchufes ni tomas sueltas danados.
  - De lo contrario, puede producirse un incendio o una descarga electrica.
- Para instalar el producto, pongase siempre en contacto con el centro de servicio o con profesionales especializados.
  - De lo contrario, puede producirse un incendio, una descarga electrica, una explosion o lesiones. Fije de forma segura la tapa electrica a
- la unidad interior y la cubierta de las tuberias a la unidad exterior.
  - En caso contrario, pueden producirse incendios o descargas electricas debido al polvo, al agua, etc.
- Instale siempre un disyuntor y una placa conmutadora individual.
  - Ninguna instalacion debe producir incendios ni descargas electricas.
- No guarde ni utilice gases inflamables ni combustibles cerca del equipo de aire acondicionado.
  - De lo contrario, puede producirse un incendio o averias en el producto.
- Asegurese de que el bastidor de instalacion de la unidad exterior no esta danado debido a un uso prolongado.
  - Puede producir lesiones o accidentes.
- No desmonte ni repare el producto aleatoriamente.
  - Puede provocar un incendio o una descarga electrica.
- Existe un riesgo de incendio y explosion.
  - Deberia utilizar gases inertes (nitrogeno) cuando compruebe escapes en las tuberias, limpie o repare tubos, etc. Si utiliza gases combustibles, oxigeno incluido, el producto puede generar riesgos de incendios y explosiones.

## Funcionamiento

- No comparta la toma eléctrica con otros electrodomésticos.
  - Puede producirse una descarga eléctrica o un incendio debido a la generación de calor.
- No utilice un cable de alimentación dañado.
  - De lo contrario, puede producirse un incendio o una descarga eléctrica.
- No modifique ni alargue el cable de alimentación aleatoriamente.
  - De lo contrario, puede producirse un incendio o una descarga eléctrica.
- Asegúrese de que el cable de alimentación no pueda soltarse durante el funcionamiento del aparato.
  - De lo contrario, puede producirse un incendio o una descarga eléctrica.
- Desconecte la unidad si percibe ruidos u olores extraños o sale humo de ella.
  - De lo contrario, puede producirse una descarga eléctrica o un incendio.
- Mantenga la unidad alejada de las llamas.
  - De lo contrario, puede producirse un incendio.
- Desconecte la unidad si es necesario sujetando la cabeza del enchufe; no lo toque con las manos húmedas.
  - De lo contrario, puede producirse un incendio o una descarga eléctrica.
- No utilice el cable de alimentación cerca de utensilios o herramientas que desprendan calor.
  - De lo contrario, pueden producirse incendios y descargas eléctricas.
- De lo contrario, pueden producirse incendios y descargas eléctricas.
  - De lo contrario, puede producirse una descarga eléctrica y averías en el aparato.
- No permita que se introduzca agua en las piezas eléctricas.
  - De lo contrario, pueden producirse averías en el aparato o descargas eléctricas.
- Sujete el enchufe por su cabeza al extraerlo de la toma.
  - Sujete el enchufe por su cabeza al extraerlo de la toma.
- No se suba a la unidad interior ni a la exterior ni coloque nada sobre ellas.
  - Pueden producirse lesiones por la caída de la unidad o la suya propia.
- Asegúrese de que no haya objetos pesados sobre el cable de alimentación.
  - De lo contrario, puede producirse un incendio o una descarga eléctrica.
- Cuando el producto se sumerja en agua, pongase siempre en contacto con el centro de servicio.
  - De lo contrario, puede producirse un incendio o una descarga eléctrica.
- Asegúrese de que los niños no puedan subirse a la unidad exterior.
  - De lo contrario, podrían sufrir lesiones graves en caso de caída.

## PRECAUCIÓN

### Instalación

- Instale el tubo de drenaje para garantizar un drenaje seguro.
- De lo contrario, pueden producirse fugas de agua.
- Instale el producto de forma que el ruido o el viento caliente de la unidad exterior no ocasionen danos materiales a los vecinos.
- De lo contrario, pueden surgir disputas.
- Inspeccione siempre las fugas de gas tras la instalacion y reparacion del producto.
- De lo contrario, pueden producirse averias en el producto.
- Mantenga el nivel paralelo al instalar el producto.
- De lo contrario, pueden producirse vibraciones o fugas de agua.
- El espesor de las tuberias de cobre utilizado se indica en la Tabla "Abocardado de juntas".
- No utilice nunca tuberías de cobre mas finas que las indicadas en la tabla, aunque esten disponibles en el mercado.
- No utilice tuberias de cobre que puedan doblarse.
- De lo contrario, la valvula de expansion o el tubo capilar pueden obstruirse con contaminantes.
- Para el modelo R410A, utilice tuberias, tuercas conicas e instrumentos especificados para el refrigerante R410A.
- Utilizar tuberias (R22), tuercas conicas e instrumentos, puede conllevar a una alta presion anormal en el ciclo de refrigeracion (tuberias), y posiblemente causar una explosion y heridas.  
Se recomienda que la cantidad de aceite residual sea inferior a 40 mg/10m

### Funcionamiento

- Evite la refrigeracion excesiva y ventile el producto periodicamente.
- De lo contrario, podria ser perjudicial para su salud. Utilice un pano suave para limpiar la unidad.  
No utilice cera, diluyentes ni detergentes agresivos.
  - La apariencia del equipo de aire acondicionado podria deteriorarse, cambiar de color o desarrollar defectos en la superficie.  
No utilice la unidad para fines especiales como conservar animales, plantas, maquinas de precision u obras de arte.
  - De lo contrario, podrian producirse danos materiales.  
No coloque obstaculos alrededor de la entrada ni de la salida del flujo.
  - De lo contrario, pueden producirse averias en el aparato o un accidente.

# ÍNDICE

## 2 CONSEJOS PARA AHORRAR ENERGÍA

---

## 3 Medidas de seguridad

---

## 7 COMPONENTES DE INSTALACIÓN

---

## 7 HERRAMIENTAS DE INSTALACIÓN

---

## 8 MAPA DE INSTALACIÓN

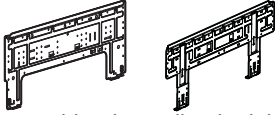




---

## 9 INSTALACIÓN

---

- 9 Seleccione la mejor ubicación
- 10 Fijación de la placa de instalación
- 10 Taladre un orificio en la pared
- 10 Abocinado
- 11 Conexión de los conductos
- 16 Conexión de los conductos
- 17 Conexión de los cables
- 19 Comprobación del drenaje
- 20 Distribución de los conductos
- 21 Purgado del aire
- 25 Prueba de funcionamiento
- 26 Guía de instalación para lugares de costa
- 27 Longitud y elevación de los conductos
- 27 Gamas de operaciones

## COMPONENTES DE INSTALACIÓN

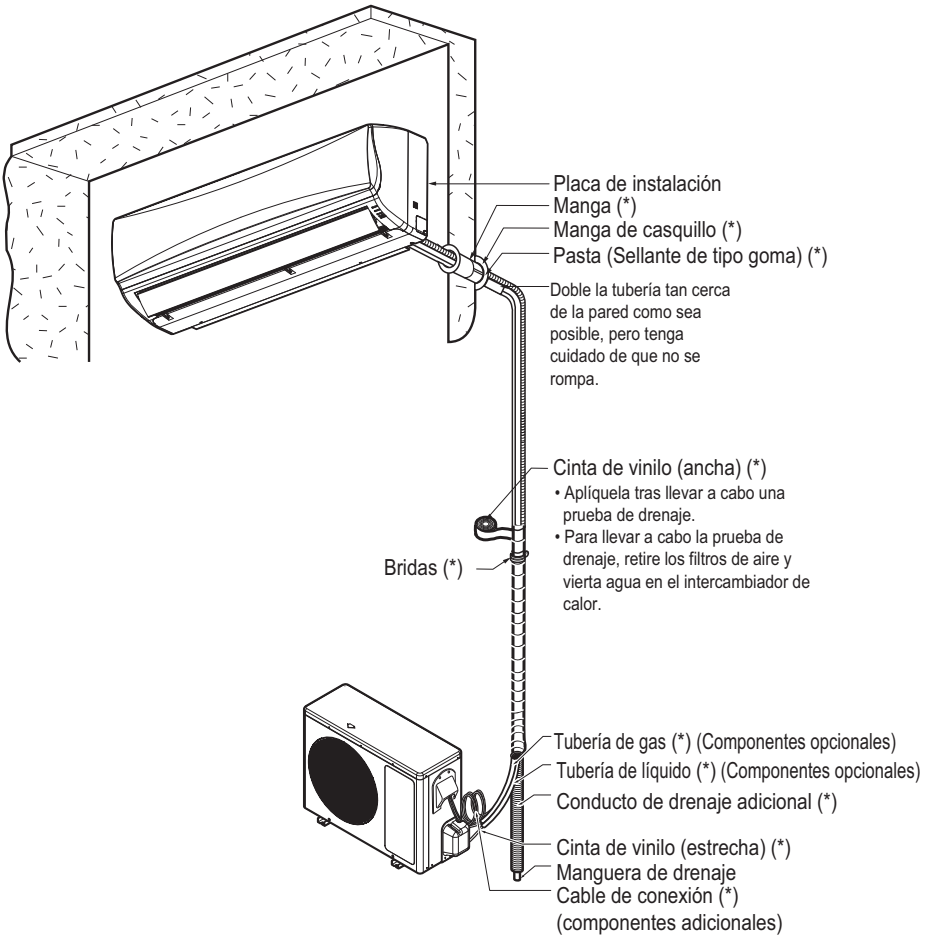
Nombre	Cantidad	Forma
Placa de instalación	1 EA	 <p>La placa puede cambiar dependiendo del tipo de modelo.</p>
Tornillo de tipo "A"	8 EA	
Tornillo de tipo "B"	2 EA	
Tornillo de tipo "C"	2 EA	
Soporte de control remoto	1 EA	

Los tornillos para la fijación de los paneles se colocan en el panel decorativo.

## HERRAMIENTAS DE INSTALACIÓN

Figura	Nombre	Figura	Nombre
	Destornillador		Polímetro
	Taladro eléctrico		Llave hexagonal
	Cinta métrica, cuchillo		Amperímetro
	Broca hueca		Detector de fugas de gas
	Llave fija		Termómetro, Nivel
	Llave de carraca		Juego de herramientas de abocinado

# MAPA DE INSTALACIÓN



\* La placa puede cambiar dependiendo del tipo de modelo.

## ! NOTA

- Debe comprar los componentes de instalación.

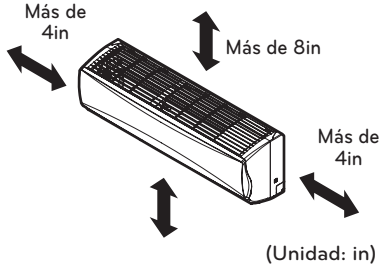


# INSTALACIÓN

## Seleccione la mejor ubicación

### Unidad interior

- No debe haber ninguna fuente de calor o vapor cerca de la unidad.
- Seleccione un lugar donde no haya obstáculos alrededor de la unidad.
- Asegúrese de que el drenaje de la condensación pueda ser conducido cómodamente hacia fuera.
- No lo instale cerca del hueco de una puerta.
- Asegúrese de que la separación entre la pared y la izquierda (o derecha) de la unidad es mayor de 4in. La unidad debe instalarse en la pared a la mayor altura que sea posible, dejando una separación mínima de 8in del techo.
- Utilice un detector de metales para localizar pernos y evitar daños innecesarios a la pared.



- \* Altura recomendada: 6.5 ft a partir del suelo.
- \* La placa puede cambiar dependiendo del tipo de modelo.

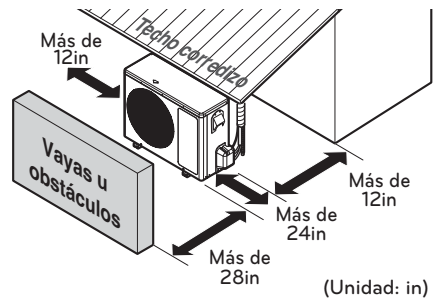


### PRECAUCIÓN

Retire los obstáculos para evitar bloquear el paso del flujo de aire.

### Unidad exterior

- Si se construye una marquesina sobre la unidad para protegerla del sol o la lluvia, asegúrese de que no se restringe la radiación de calor del condensador.
- Asegúrese de que el espacio alrededor de la parte trasera y lateral es mayor de 300mm. El espacio de la parte frontal de la unidad debe ser superior a 700mm.
- No coloque animales ni plantas en la ruta del aire caliente.
- Tenga en cuenta el peso del aire acondicionado y seleccione un lugar donde el ruido y las vibraciones sean mínimos.
- Seleccione un lugar donde el aire caliente y el ruido del aire acondicionado no moleste a los vecinos.

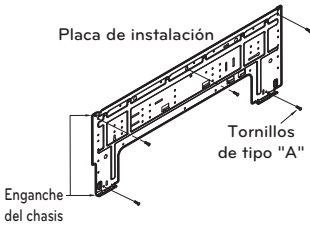


**Unidad interior**

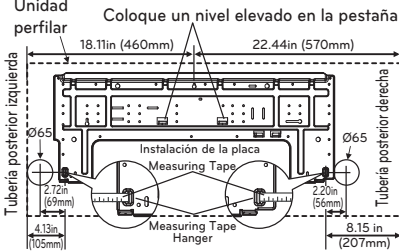
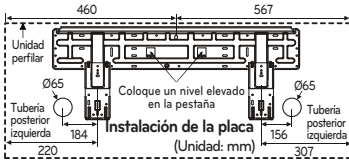
**Fijación de la placa de instalación**

La pared que seleccione debe ser lo suficiente fuerte y sólida para evitar la vibración

- 1 Monte la placa de instalación en la pared con tornillos de tipo "A". Si monta la unidad en una pared de cemento, use pernos de anclaje.
  - Monte la placa de instalación horizontalmente alineando la línea central utilizando un nivel.



- 2 Mida la pared y marque la línea central. También es importante tener cuidado con relación a la ubicación de la placa de instalación. El recorrido del cableado a las tomas de corriente se hace típicamente por la pared. Taladre un orificio en la pared para que las conexiones de conductos puedan realizarse con seguridad.

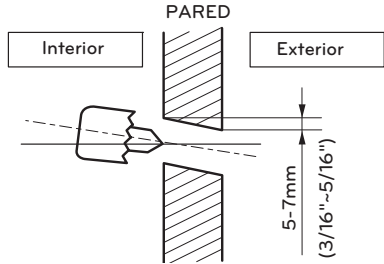


(Unidad : in)

Ambas placas de instalación se pueden utilizar para este modelo.

**Taladre un orificio en la pared**

- El taladro de conductos debe realizarse con una broca de  $\varnothing 65\text{mm}$ . Realice el taladro a la derecha o izquierda del orificio ligeramente inclinado hacia el exterior.

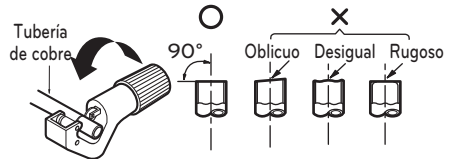


**Abocinado**

La causa principal de las fugas de gas es un abocinado defectuoso. Lleve a cabo correctamente el abocinado como se detalla a continuación.

**Corte las tuberías y el cable**

- 1 Utilice el kit de accesorios de tuberías o las tuberías compradas localmente.
- 2 Mida la distancia entre la unidad de interior y la de exterior.
- 3 Corte las tuberías un poco más largas que la distancia medida.
- 4 Corte el cable 1.5m (4.9 ft) más largo que la tubería.



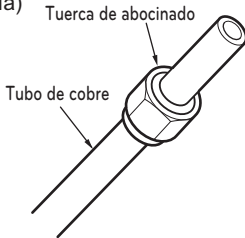
## Eliminación de rebabas

- 1 Elimine completamente todas las rebabas de la sección cortada de la tubería/conducto.
- 2 Al eliminar las rebabas, ponga el extremo de la tubería de cobre hacia abajo. Esto también se hace para evitar que las rebabas caigan dentro de la tubería.



## Colocación de la tuerca

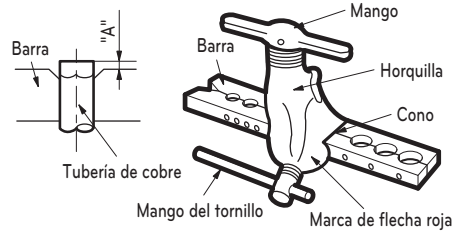
- Retire las tuercas de abocinado de las unidades de interior y exterior y colóquelas en la tubería una vez eliminadas las rebabas. (Es imposible colocarlas una vez abocinada la tubería)



## Abocinado

- 1 Coloque firmemente el tubo de cobre en una barra según las dimensiones abajo indicadas en la tabla.
- 2 Lleve a cabo el abocinado con la herramienta adecuada.

Diámetro exterior		A	Espesor
mm	pulg	mm	mm
Ø6.35	1/4"	1.1~1.3	0.7
Ø9.52	3/8"	1.5~1.7	0.8
Ø12.7	1/2"	1.6~1.8	0.8
Ø15.88	5/8"	1.6~1.8	1.0



## Compruebe

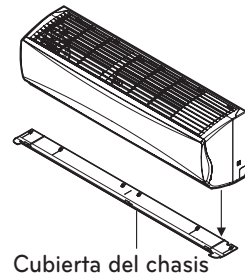
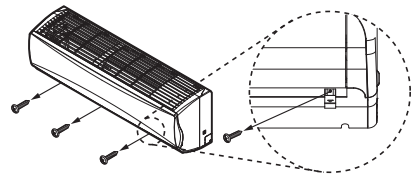
- 1 Compare el abocinado con la figura.
- 2 Si la sección abocinada está defectuosa, córtela y vuelva a abocinarla.

Suavice todo el contorno

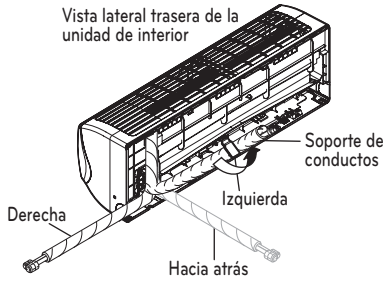


## Conexión de los conductos

- 1 Abra el panel de la unidad interior.
- 2 Retire la tapa del chasis de la unidad aflojando 3 tornillos.



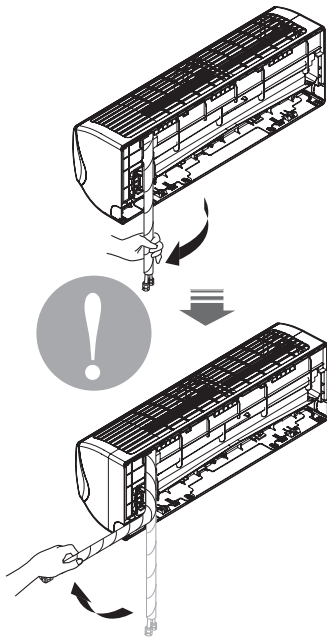
- 3 Tire del soporte del tubo.
- 4 Retire la entrada del conducto y colóquelo en su lugar.



\* La placa puede cambiar dependiendo del tipo de modelo.

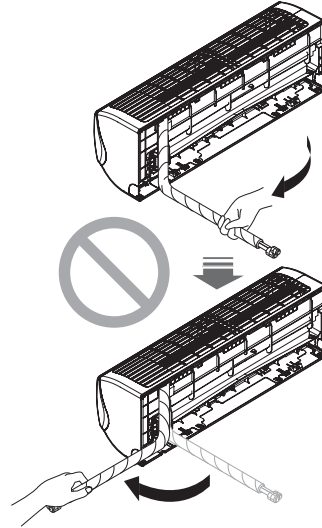
### Buen método

- Empuje la cubierta del conducto y despléguelo hacia abajo lentamente. Y, a continuación dóblelo lentamente hacia la izquierda.



### Mal método

- Un doblado continuado de izquierda a derecha directamente podría dañar el conducto.

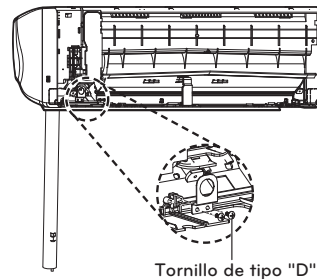


\* La placa puede cambiar dependiendo del tipo de modelo.

### ! PRECAUCIÓN

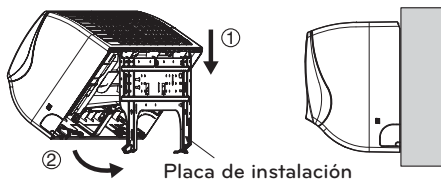
Información de instalación. Para los conductos de la derecha. Siga las instrucciones detalladas a continuación.

Antes de doblar los tubos, coloque el conducto como se muestra en la siguiente imagen con ayuda del soporte y los tornillos negros incluidos en el kit de accesorios.

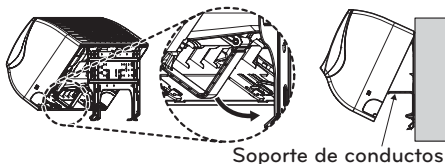


## Instalación de la unidad de interior

- 1 Enganche la unidad de interior en la parte superior de la placa de instalación. (Enganche los tres ganchos de la parte superior de la unidad de interior con el borde superior de la placa de instalación). Asegúrese de que los ganchos están bien sujetos moviéndolos a derecha e izquierda.



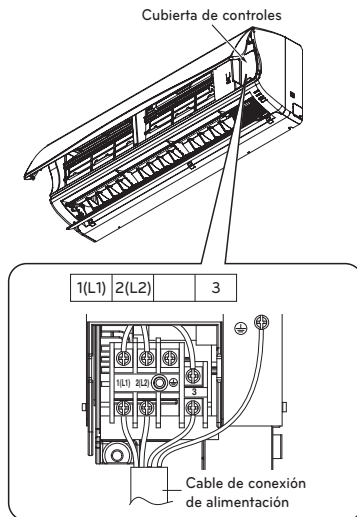
- 2 Desbloquee el soporte de conductos del chasis y móntelo entre el chasis y la placa de instalación para separar la parte inferior de la unidad de interior de la pared.



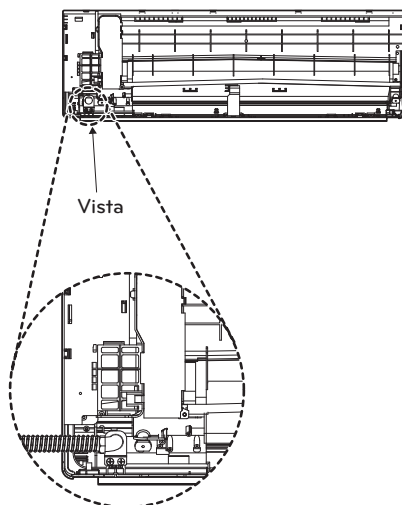
\* La placa puede cambiar dependiendo del tipo de modelo.

## Conductos

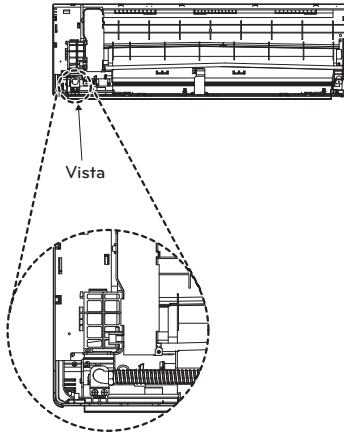
- 1 Levante la protección del bloque del terminal.
- 2 Inserte el cable de conexión a través de la parte inferior de la unidad de interior y conecte el cable (puede ver una información más detallada en la sección "Conexión de los cables")



<Para los conductos hacia la izquierda.>

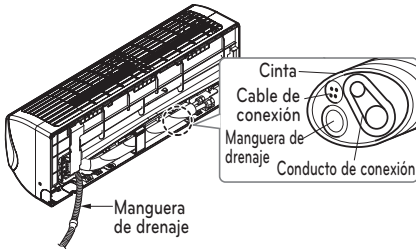


<Para los conductos hacia la derecha.>



- 3 Encinte los conductos, la manguera de drenaje y el cable de conexión. Asegúrese de que la salida de la manguera de drenaje está situada en la parte inferior del rollo. Si queda en la parte superior podría hacer que el excedente de la bandeja de drenaje entrara en la unidad.

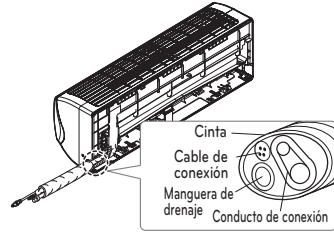
<Para los conductos hacia la izquierda.>



**NOTA**

Introduzca la manguera de vaciado en el lado izquierdo cuando utilice un tipo de tubería de lado izquierdo.

<Para los conductos hacia la derecha.>



\* La placa puede cambiar dependiendo del tipo de modelo.

**PRECAUCIÓN**

Debe usar el conducto de tipo codo (L).

Método:

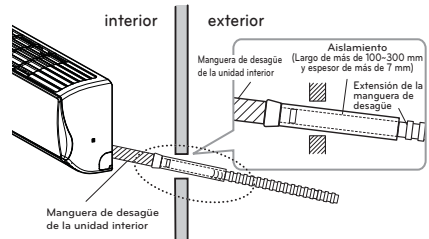
1. Desmonte el soporte (de la unidad interior)
2. Monte el conducto
3. Vuelva a ensamblarlo a la unidad interior.



**PRECAUCIÓN**

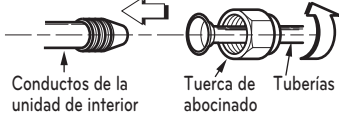
Si la manguera de drenaje discurre por el interior de la habitación, aisle la manguera con un material aislante\* para que el goteo del sudado (condensación) no dañe los muebles o el suelo.

\* Es recomendable usar polietileno expandido o un material similar.



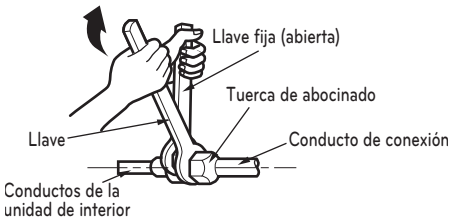
## Conexión del conducto de instalación y la manguera de drenaje a la unidad de interior

- 1 Alinee el centro de las conducciones y apriete suficientemente la tuerca de abocinado con la mano.

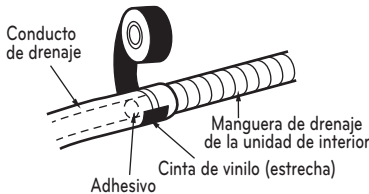


- 2 Apriete la tuerca de abocinado con una llave.

Diámetro exterior		Torsión	
mm	pulg	kgf·cm	N·m
Ø6.35	1/4	180~250	17.6~24.5
Ø9.52	3/8	340~420	33.3~41.2
Ø12.7	1/2	550~660	53.9~64.7
Ø15.88	5/8	630~820	61.7~80.4

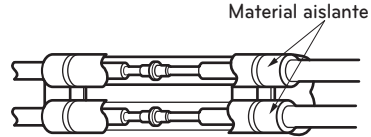


3. Cuando necesite extender la manguera de drenaje de la unidad de interior, monte la manguera de drenaje como se muestra en el diagrama

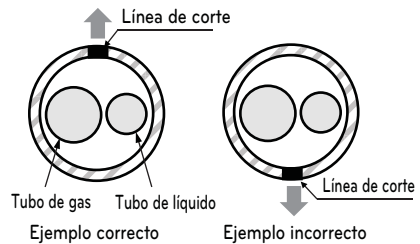


## Envuelva el material aislante alrededor de la parte de la conexión

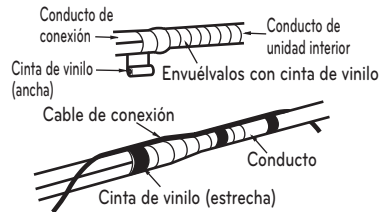
- 1 Solape el material aislante del conducto de conexión y el material aislante del conducto de la unidad interior. Envuélvalos juntos con cinta de vinilo para que no haya huecos.



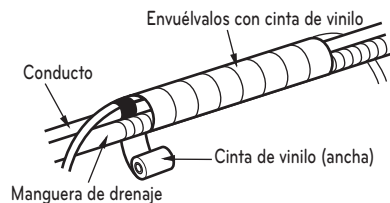
- 2 Coloque la línea de corte del tubo hacia arriba. Envuelva el área que alberga la sección de conducto trasera con cinta de vinilo.



- \* La línea de corte del tubo debe estar hacia arriba.

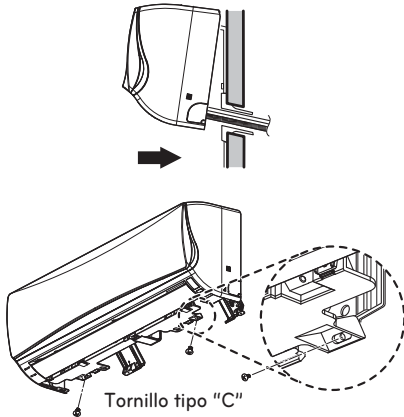


- 3 Agrupe los conductos y la manguera de drenaje envolviéndolos con cinta de vinilo hasta un grosor suficiente para cubrir la sección de la carcasa de conductos posterior.



## Finalización de la instalación de la unidad de interior

- 1 Monte el soporte de conductos en la posición original.
- 2 Asegúrese de que los ganchos están bien asentados en la placa de instalación moviendo la unidad a la derecha e izquierda.
- 3 Empuje la unidad desde la parte inferior a derecha e izquierda sobre la placa de instalación hasta que los ganchos entren en sus ranuras (escuchará un "clic").
- 4 Finalice el montaje atornillando la unidad a la placa de instalación usando dos tornillos de tipo "C". Y monte la cubierta del chasis.



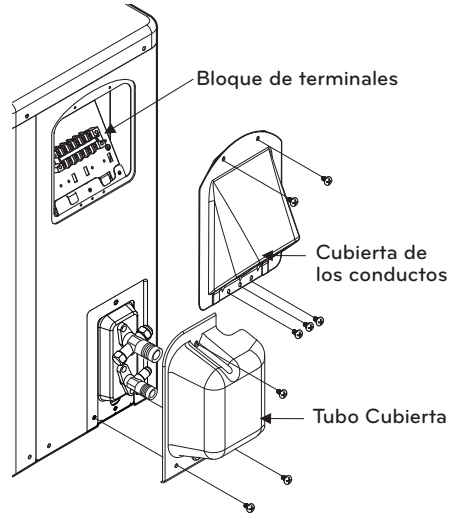
### ⚠ PRECAUCIÓN

- Antes de terminar la instalación del sensor, confirme que el producto se ha montado horizontalmente, alineando la línea central con un metro horizontal.

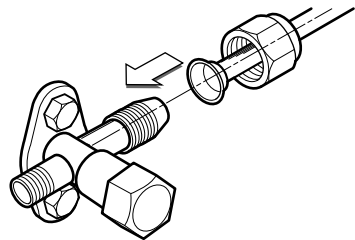
## Unidad exterior

### Conexión de los conductos

- Retire la cubierta de los conductos de la unidad aflojando el tornillo



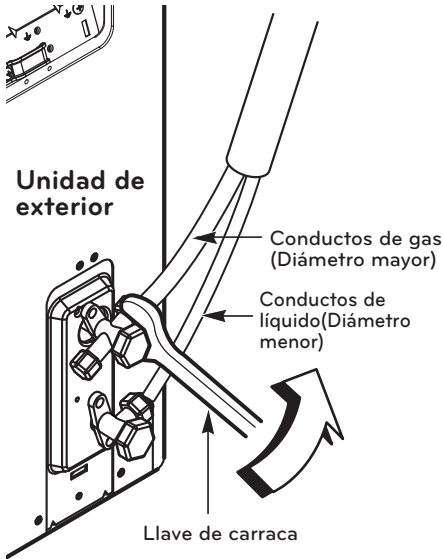
- Alinee el centro de las conducciones y apriete suficientemente la tuerca de abocinado con la mano.





- Finalmente, apriete la tuerca de abocinado con una llave de presión hasta que la torsión de la llave.

Al apretar la tuerca abocinada con una llave de carraca, asegúrese de que la dirección de apretado sigue la flecha de la llave.



Diámetro exterior		Torsión	
mm	pulg	kgf·cm	N·m
Ø6.35	1/4	180~250	17.6~24.5
Ø9.52	3/8	340~420	33.3~41.2
Ø12.7	1/2	550~660	53.9~64.7
Ø15.88	5/8	630~820	61.7~80.4

## Conexión de los cables

Conecte el cable a la unidad de interior conectando los cables a los terminales del panel de control de forma individual siguiendo la conexión de la unidad de exterior.

(Asegúrese de que el color de los cables de la unidad de exterior y el número de terminal son los mismos que los de la unidad de interior).

### ! PRECAUCIÓN

- El diagrama del circuito está sujeto a cambios sin previo aviso.
- El cable de toma de tierra debe ser mayor que los cables normales.
- Durante la instalación, consulte el diagrama de circuito de la cubierta del chasis.
- Conecte los cables firmemente, de forma que no puedan salirse con facilidad.
- Conecte los cables según el código de colores consultando el diagrama de cableado.

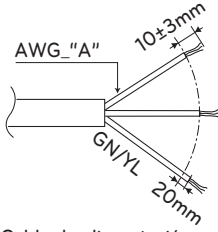
### ! PRECAUCIÓN

- Monte el conducto.



### ! PRECAUCIÓN

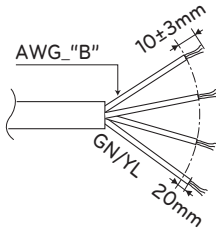
El cable de alimentación conectado a la unidad exterior debe cumplir las siguientes normas (reconocido por ETL y certificado por CSA).



Cable de alimentación

Alimentación	Capacidad(Btu/h)
	24k
"A"	12

El cable de conexión a la red conectado a la unidad interior y exterior debe cumplir las siguientes normas (reconocido por ETL y certificado por CSA).



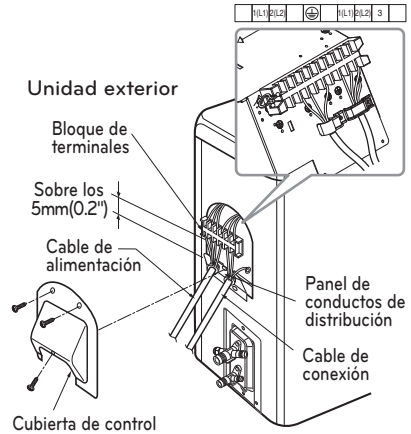
Cable de conexión

Cable de conexión	Capacidad(Btu/h)
	24k
"B"	18

### Unidad exterior

- Conecte los cables a los terminales del panel de control individualmente.
- Fije el cable en el panel de control con la abrazadera del cable.
- Use un cortacircuitos reconocido entre la fuente de alimentación y la unidad. Debe instalarse un dispositivo de desconexión para desconectar adecuadamente todas las líneas de alimentación.

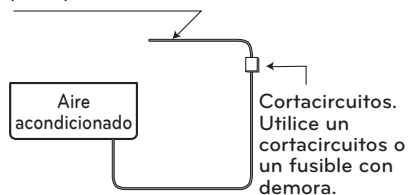
Cortacircuitos (A)	Capacidad(Btu/h)
	24k
	25



### ⚠ PRECAUCIÓN

Incluya un cortacircuitos entre la fuente de alimentación y la unidad tal y como se muestra

Fuente de alimentación principal



## ⚠ PRECAUCIÓN

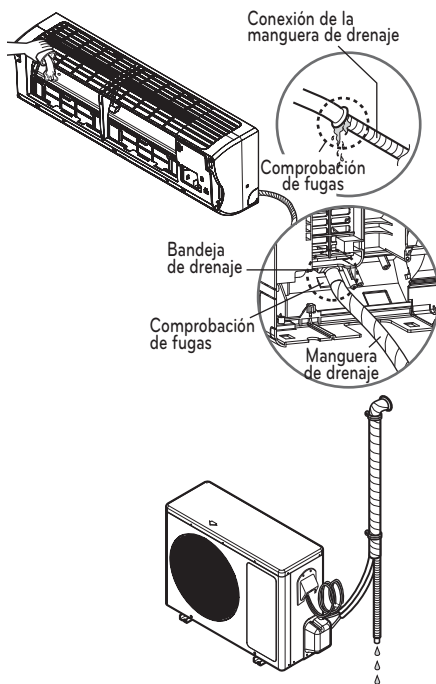
Según la confirmación de las condiciones anteriores, prepare el cableado de la forma siguiente:

- 1 No utilice nunca una fuente de alimentación no dedicada para el aire acondicionado. Como método de cableado, guíese por el diagrama del circuito pegado en el interior de la tapadera de la caja de control.
- 2 El tornillo que fija el cableado a la carcasa de la instalación eléctrica puede aflojarse debido a la vibración a la que está sometida la unidad durante el transporte. Compruébelo y asegúrese de que están todos bien apretados. (Si están flojos, podrían quemarse los cables.)
- 3 Especificaciones de la fuente de alimentación
- 4 Confirme que la capacidad eléctrica es suficiente.
- 5 Asegúrese de que se mantiene la tensión inicial a más de un 90% de la tensión nominal marcada en la placa de identificación.
- 6 Confirme que el grosor del cable es tal y como se indica en las especificaciones de fuente de alimentación. (Observe en particular la relación entre la longitud del cable y el grosor).
- 7 Instale siempre un cortacircuitos de derivación en las zonas mojadas o húmedas.
- 8 Las situaciones siguientes podrían causar una caída de tensión.  
Vibración de un interruptor magnético que dañe el punto de contacto, una rotura de fusible, problemas con la función normal de la sobrecarga.
- 9 Deben incluirse medios de desconexión de la fuente de alimentación en el cableado fijo y debe haber un espacio vacío de al menos 3mm en cada conductor activo (fase).

## Comprobación del drenaje

### Para comprobar el drenaje

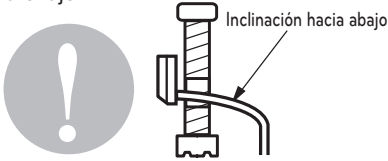
- 1 Vierta un vaso de agua en el evaporador.
- 2 Asegúrese de que el agua fluye por la manguera de drenaje de la unidad de interior sin fugas y vaya directamente a la salida de drenaje.



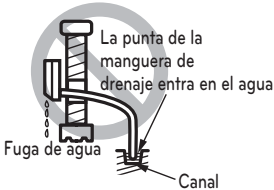
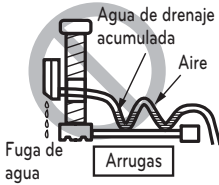
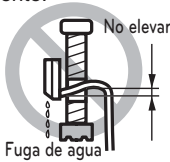
\*La placa puede cambiar dependiendo del tipo de modelo.

## Tubería de drenaje

- 1 La manguera de drenaje debe quedar hacia abajo para facilitar el flujo de drenaje.



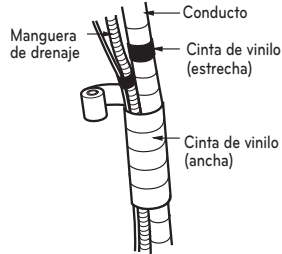
- 2 No coloque el conducto de drenaje de la forma siguiente.



## Distribución de los conductos

Coloque las tuberías envolviendo la parte de conexión de la unidad interior con material aislante y fijelas con dos tipos de cinta de vinilo.

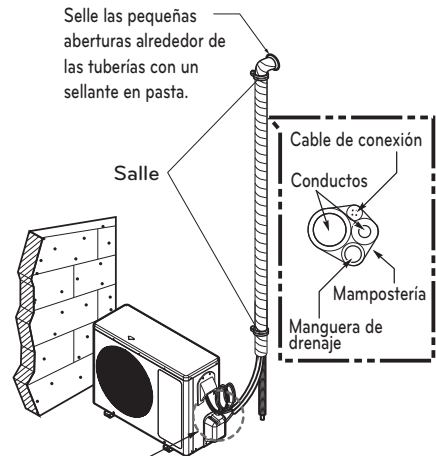
- Si desea conectar otro tubo de drenaje, el extremo de la salida de drenaje se debe colocar sobre el suelo. Fije el tubo de drenaje correctamente.



En los casos en los que la unidad de exterior está instalada por debajo de la unidad de interior, realice lo siguiente:

- 1 Encinte los conductos, la manguera de drenaje y el cable de conexión de abajo a arriba.
- 2 Fije los conductos encintados en la pared exterior usando bridas o similar.

En aquellos casos en los que la unidad exterior esté instalada por debajo de la unidad interior, realice lo siguiente:



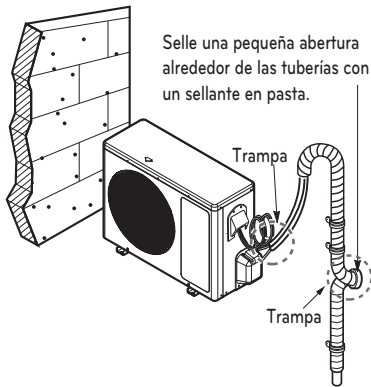
Es necesaria una trampa para impedir que el agua entre en las partes eléctricas.

\* La placa puede cambiar dependiendo del tipo de modelo.

\*La placa puede cambiar dependiendo del tipo de modelo.

En los casos en los que la unidad de exterior está instalada por encima de la unidad de interior, realice lo siguiente.

- 1 Enciente los conductos y el cable de conexión de abajo a arriba.
- 2 Fije los conductos encintados en el muro exterior. Forme una trampa para evitar que el agua entre en la habitación.
- 3 Fije las tuberías a la pared con bridas o un equivalente.



\*La placa puede cambiar dependiendo del tipo de modelo.

## Purgado del aire

El aire y la humedad que permanece en el sistema de refrigerante tienen efectos no deseados como los que se indican a continuación.

- La presión del sistema se incrementa.
- La corriente de funcionamiento se incrementa.
- La eficacia de la refrigeración (o la calefacción) se reduce.
- La humedad del circuito de refrigerante podría congelarse y bloquear los tubos capilares.
- El agua podría causar corrosión en partes del sistema de refrigeración.

Por ello, tras vaciar el sistema, realice una prueba de fugas para los conductos entre las unidades de interior y exterior.

## Purgado de aire con un aspirador

### - Preparación

Compruebe que todos los tubos (tanto de líquido como de gas) entre las unidades de exterior e interior se han conectado adecuadamente y que se ha realizado todo el cableado para la prueba de funcionamiento. Retire los tapones de las válvulas del inmueble de gas y de líquido en la unidad de exterior. Compruebe que las válvulas de líquido y de gas de la unidad de exterior se mantienen cerradas en esta fase.

### - Prueba de fugas

Conecte la válvula del colector (con indicadores de presión) y seque el cilindro de gas nitrógeno de este punto de servicio con mangueras de carga.

### ! PRECAUCIÓN

Asegúrese de usar una válvula de colector para el purgado de aire. Si no hay una disponible, use una válvula de retención.

El control de la válvula de 3 posiciones debe mantenerse siempre cerrado.

- Presurice el sistema a un máximo de 250 P.S.I.G. (17.6 kgf/cm<sup>2</sup>G) (modelo R-22) o a 400 P.S.I.G. (28.1 kgf/cm<sup>2</sup>G) (modelo R-410A) con gas nitrógeno seco y cierre la válvula del cilindro cuando la lectura del manómetro llegue a 250 P.S.I.G. (17.6 kgf/cm<sup>2</sup>G) (modelo R-22) o a 400 P.S.I.G. (28.1 kgf/cm<sup>2</sup>G) (modelo R-410A). El paso siguiente es hacer la prueba de fugas con jabón líquido.

### ! PRECAUCIÓN

Para evitar que el nitrógeno entre en el sistema de refrigeración en estado líquido, la parte superior del cilindro debe estar más alta que la parte inferior al presurizar el sistema. Por lo general, el cilindro se usa en posición vertical.

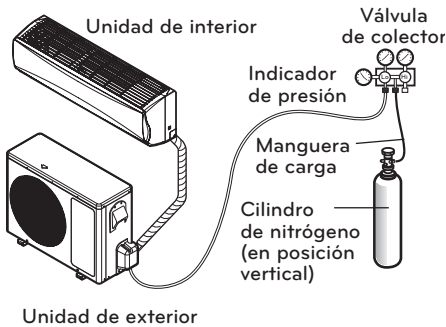
### ! ADVERTENCIA



Existe un riesgo de incendio y explosión.

- El gas inerte (nitrógeno) debería ser utilizado a fin de verificar escapes en la tubería, limpiar o reparar los tubos, etc. En caso de utilizar gases combustibles, oxígeno incluido, el producto puede causar incendios y explosiones.

- Revise todas las uniones en busca de fugas (tanto en el interior como el exterior) y las válvulas del inmueble tanto de gas como de líquido. Las burbujas indican una fuga. Asegúrese de eliminar el jabón con un paño limpio.
- Una vez se haya asegurado de que no hay fugas, libere la presión del nitrógeno aflojando el conector de la manguera de carga del cilindro de nitrógeno. Cuando la presión del sistema se reduzca a la normal, desconecte la manguera del cilindro.



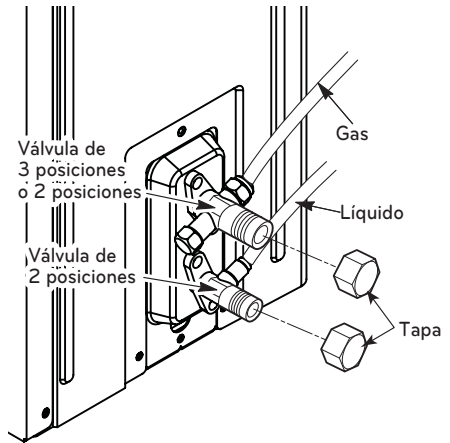
\*La placa puede cambiar dependiendo del tipo de modelo.

### Método de agua jabonosa

- Retire los tapones de las válvulas de 2 y 3 salidas.
- Retire el tapón del puerto de mantenimiento de la válvula de 3 salidas.
- Aplique agua jabonosa o un detergente neutro líquido a las conexiones de la unidad de interior y exterior con un cepillo suave para comprobar que no haya fugas en los puntos de conexión de las tuberías.
- Si aparecen burbujas, quiere decir que las tuberías tienen fugas

### Evacuación

- Conecte el extremo de la manguera de carga descrito en los pasos del procedimiento a la bomba de vacío para evacuar los conductos y la unidad de interior. Confirme que el control "Lo" del manómetro está abierto. A continuación, ponga en funcionamiento la bomba de vacío. El tiempo de funcionamiento para la evacuación varía dependiendo de la longitud de los conductos y la capacidad de la bomba. La tabla siguiente muestra el tiempo necesario para el vaciado.

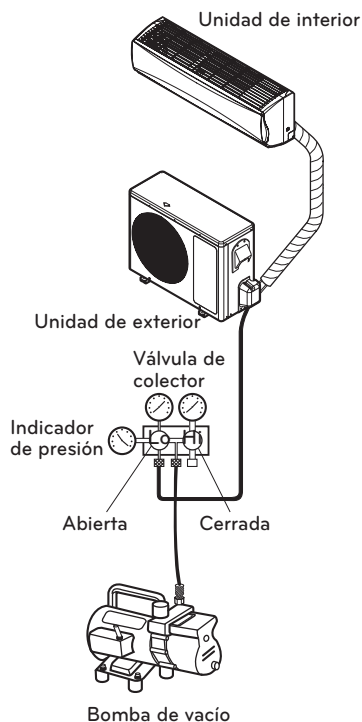


Tiempo necesario para el vaciado cuando se usa una bomba de vacío de 30 gal/h (113,4l./h)	
Si la longitud del tubo es menor de 10m (33 pies)	Si la longitud del tubo es mayor de 10m (33 pies)
10 min. o más	15 min. o más

- Cuando se alcance el vacío que desee, cierre el control de la válvula de 3 posiciones y detenga la bomba de vacío.

## Finalización del trabajo

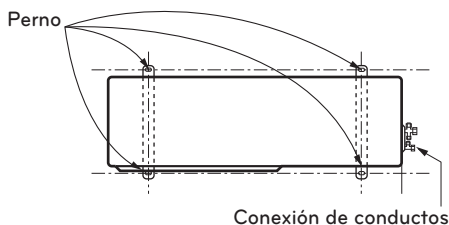
- Con una llave de válvula del inmueble, gire la válvula de líquido en sentido contrario a las agujas del reloj para abrirla completamente.
- Gire la válvula de gas en sentido contrario a las agujas del reloj para abrirla completamente.
- Afloje ligeramente la manguera de carga conectada al puerto de gas para liberar la presión, y a continuación, retire la manguera.
- Vuelva a colocar la tuerca de abocinado y su tapón en el puerto de gas y apriete la tuerca con una llave inglesa. Este proceso es muy importante para evitar fugas del sistema.



- Vuelva a colocar los tapones en ambas válvulas de gas y de líquido y apriételos bien. Esto completa el purgado de aire con una bomba de vacío.
- Vuelva a colocar la cubierta del conducto hacia la unidad de exterior con un tornillo. El aire acondicionado está preparado para una prueba de funcionamiento.

## Fijación de la unidad de exterior

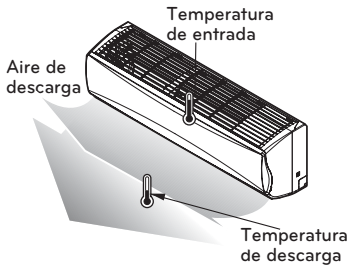
- Fije la unidad de exterior con un tornillo y una tuerca ( $\varnothing 10\text{mm}$ ) y horizontalmente sobre el cemento o un soporte rígido.
- Al instalarla en la pared, el techo o el tejado, el anclaje de la base de montaje debe estar asegurado con barras o cables teniendo en cuenta la influencia del viento o un terremoto.
- Si la vibración de la unidad se transmite a los conductos, fije la unidad con goma antivibración.



## Evaluación del rendimiento

Utilice la unidad durante 15~20 minutos, a continuación, compruebe la carga de refrigerante del sistema:

- Mida la presión del gas en la válvula de servicio.
- Mida la temperatura del aire de la entrada y salida del aire acondicionado.
- Asegúrese de que la diferencia entre la temperatura del aire de entrada y la del de descarga es más de 46°F.
- Como referencia, la presión del gas para un funcionamiento óptimo es la que se muestra en la tabla. (Refrigeración)



Refrigerante	TEMP. ambiente exterior	Presión del gas
R-22	95°F(35°C)	4~5kg/cm <sup>2</sup> G (56.8~71.0 P.S.I.G.)
R-410A	95°F(35°C)	8.5~9.5kg/cm <sup>2</sup> G (120~135 P.S.I.G.)

\*La placa puede cambiar dependiendo del tipo de modelo.

### ! NOTA

Si la presión real es mayor que la mostrada, es probable que el sistema se sobrecargue por lo que debería extraerse algo de carga. Si la presión real es menor que la mostrada, es probable que la carga del sistema sea insuficiente por lo que debería añadirse algo de carga.

### ! PRECAUCIÓN

Asegúrese de realizar la función de Bombeado en el modo de refrigeración.

## Procedimiento de bombeo

- Conecte una manguera de colector de manómetro de baja presión a la conexión de carga de la válvula de servicio de gas.
- Abra la válvula de servicio de gas a medio recorrido y purgue el aire de la manguera del colector usando el refrigerante.
- Cierre la válvula de servicio de líquido (completamente).
- Encienda el interruptor de la unidad e inicie el funcionamiento de refrigeración.
- Cuando la lectura del manómetro de baja presión alcance 1 a 0.5kg/cm<sup>2</sup> G (14.2 a 7.1 P.S.I.G.), cierre completamente la válvula de gas y apague rápidamente la unidad. Esto completa el procedimiento de Bombeo y todo el refrigerante se recoge en la unidad de exterior.

## Bombeado

Esta función se realiza cuando se va a cambiar de lugar la unidad o cuando se va a reparar el circuito de refrigerante. El Bombeado significa que se recoge todo el refrigerante en la unidad de exterior sin que haya pérdidas.



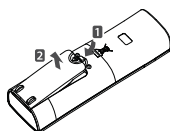
## Prueba de funcionamiento

- Compruebe que todos los conductos y cables se han conectado correctamente.
- Compruebe que las válvulas de líquido y gas se encuentran completamente abiertas.

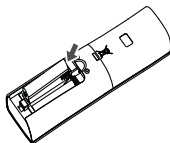
### Prepare el control remoto

Introduzca las baterías antes de utilizar el control remoto. El tipo de batería utilizado es el AAA (1,5V).

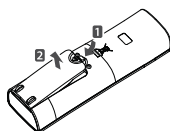
- 1 Retire la cubierta de la batería tirando en la dirección de las flechas.



- 2 Inserte las pilas nuevas asegurándose de que los polos (+) y (-) se colocan en la posición correcta.



- 3 Vuelva a colocar la cubierta empujándola de nuevo en su posición.



#### ! NOTA

- Use 2 pilas AAA (1,5v.). No utilice pilas recargables.
- Retire las pilas del control remoto si el sistema no va a usarse durante un largo periodo de tiempo.

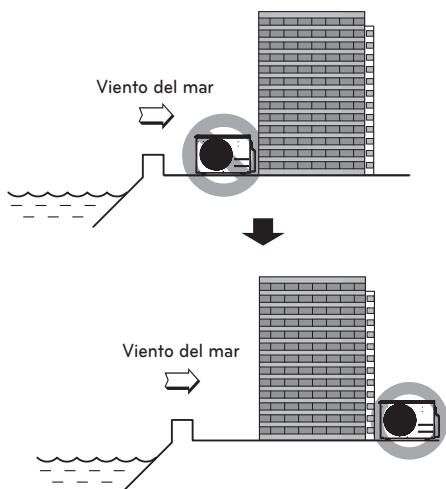
## Guía de instalación para lugares de costa

### ! PRECAUCIÓN

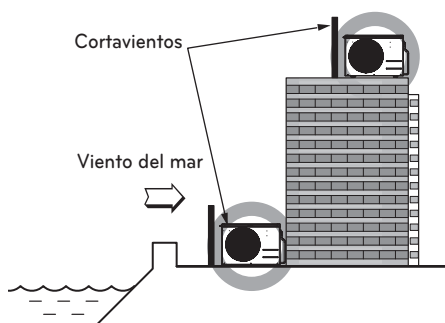
- Los aparatos de aire acondicionado no deben instalarse en áreas donde se produzcan gases corrosivos, como los alcalinos o los ácidos.
- No instale el aparato donde quede expuesto directamente al viento del mar (rocío salino). Puede producirse la corrosión en el producto. La corrosión, particularmente en las aletas del condensador y del evaporador, podría causar un funcionamiento defectuoso del aparato o un funcionamiento ineficaz.

### Selección de la ubicación (Unidad exterior)

Si la unidad exterior se instala cerca de la costa, debe evitarse la exposición directa al viento del mar. Instale la unidad exterior en el lado contrario a la dirección del viento.



En el caso de que instale la unidad exterior en la costa, coloque un cortavientos para protegerlo del viento del mar.



- Debe ser lo suficientemente fuerte como el cemento para bloquear el viento del mar.
- El alto y el ancho deben superar el 150% de la unidad exterior.
- Debe mantenerse más de 70 cm entre la unidad exterior y el cortavientos para permitir la libre circulación de aire.

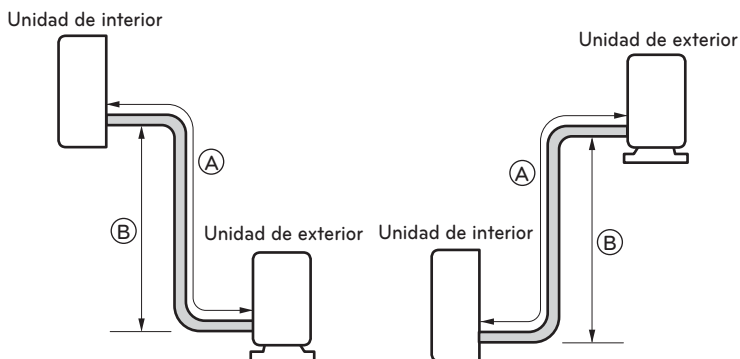
Seleccione un lugar bien dragado.

### ! NOTA

- La limpieza periódica con agua (más de una vez al año) del polvo o las partículas de sal atascadas en la salida de calor
- \* No utilice agua de mar para limpiar el intercambiador de calor.

## Longitud y elevación de los conductos

Capacidad (Btu/h)	Tamaño de tubería				Longitud estándar (m)	Elevación máx. ② (m/ft)	Longitud Min ① (m/ft)	Longitud máx. ① (m/ft)	Refrigerante adicional para más de 7.5m(24.6ft)	
	GAS		LÍQUIDO						g/m	oz/ft
	mm	pulg	mm	pulg						
24k	Ø15.88	5/8	Ø9.52	3/8	7.5(24.6)	15(49.2)	-	30(98.4)	35	0.38



### PRECAUCIÓN

La capacidad se basa en la longitud estándar y la longitud de tolerancia máxima está basada en la fiabilidad.

Si sobrepasa los 24.6ft(7.5m) deberá añadirse refrigerante adicional.

## Gamas de operaciones

La tabla abajo indica las escalas de temperatura con las cuales el aire acondicionado puede funcionar.

Modo	Temperatura interior	Temperatura exterior
Refrigeración	64.4°F~89.6°F(18°C~32°C)	-0.4°F~118.4°F(-18°C~48°C)





**FRIEDRICH**

Friedrich Air Conditioning Co. | 10001 Reunion Place, Suite 500 | San Antonio, TX 78216 | 877.599.5665  
[www.friedrich.com](http://www.friedrich.com)

P/NO : MFL68028307