



GRAPADOS

Granule metering system for variable metering of granules with enabling quick colour changes

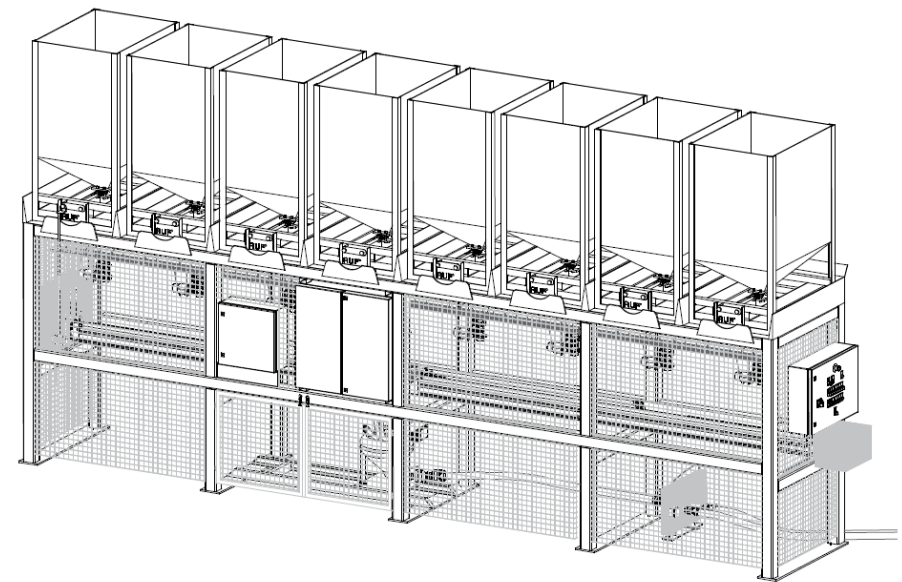




GARAPADOS

Basic concept

- Feeding of the system by containers
- Colour metering into a mobile weighing unit
- Pneumatic conveying of the granules either
 - by means of conveying vessels into the mixer(s)
 - or with a linear unit into the elevator bucket





GRAPADOS

Basic rack





GRAPADOS

Description

	with conveying vessel	with discharge unit
<ul style="list-style-type: none"> ➤ Granule metering system featuring <ul style="list-style-type: none"> ▪ Small space requirement ▪ Mobile weighing unit ▪ High metering accuracy ▪ Quick colour change at the container position ▪ Ease of operation 	<ul style="list-style-type: none"> ✓ ✓ ✓ ✓ ✓ 	<ul style="list-style-type: none"> ✓ ✓ ✓ ✓ ✓
<ul style="list-style-type: none"> ➤ Space requirement <ul style="list-style-type: none"> ▪ Height: <ul style="list-style-type: none"> ▪ Without container: 220 cm ▪ With container: 410 cm ▪ Width: <ul style="list-style-type: none"> ▪ 8-colour system: 830 cm ▪ 10-colour system: 950 cm 	<ul style="list-style-type: none"> 220 cm 410 cm ✓ ✓ 	<ul style="list-style-type: none"> 250 cm 440 cm ✓ ✓



GRAPADOS

Description

	with conveying vessel	with discharge unit
<ul style="list-style-type: none"> ➤ Conveying systems <ul style="list-style-type: none"> ▪ Conveying vessel made from stainless steel ▪ Through dead-leg-free mixer switches to several mixers/consumers ▪ Discharge unit for mixers / consumers into the elevator buckets ▪ Advantage: reliable metering of quantities from 100 grams ▪ Dust collection or cyclone ➤ Quick colour change <ul style="list-style-type: none"> ▪ Closing and removal of colour containers ▪ Discharge of the feeding hopper through the weighing unit (return pigments collected into the colour container) 	<ul style="list-style-type: none"> <input checked="" type="checkbox"/> <input checked="" type="checkbox"/> <input type="checkbox"/> <input type="checkbox"/> <input checked="" type="checkbox"/> <input checked="" type="checkbox"/> <input checked="" type="checkbox"/> 	<ul style="list-style-type: none"> <input type="checkbox"/> <input type="checkbox"/> <input checked="" type="checkbox"/> <input checked="" type="checkbox"/> <input type="checkbox"/> <input checked="" type="checkbox"/> <input checked="" type="checkbox"/>



GRAPADOS

Description

	with conveying vessel	with discharge unit
<p>➤ Metering accuracy</p> <ul style="list-style-type: none"> ▪ < 10 grams (standard) ▪ < 3 grams (actually!) possible upon technical adjustment 	<p>✓ ✓</p>	<p>✓ ✓</p>
<p>➤ Ease of operation / safety</p> <ul style="list-style-type: none"> ▪ Low overall height and the opening mechanism of the feeding container allow opening at ground level 	<p>✓</p>	<p>✓</p>
<p>➤ Individually developed design</p> <ul style="list-style-type: none"> ▪ According to the respective requirements and floor space ▪ Conveying concepts (also combinations) ▪ Knowledge of colour / variety of colours 		

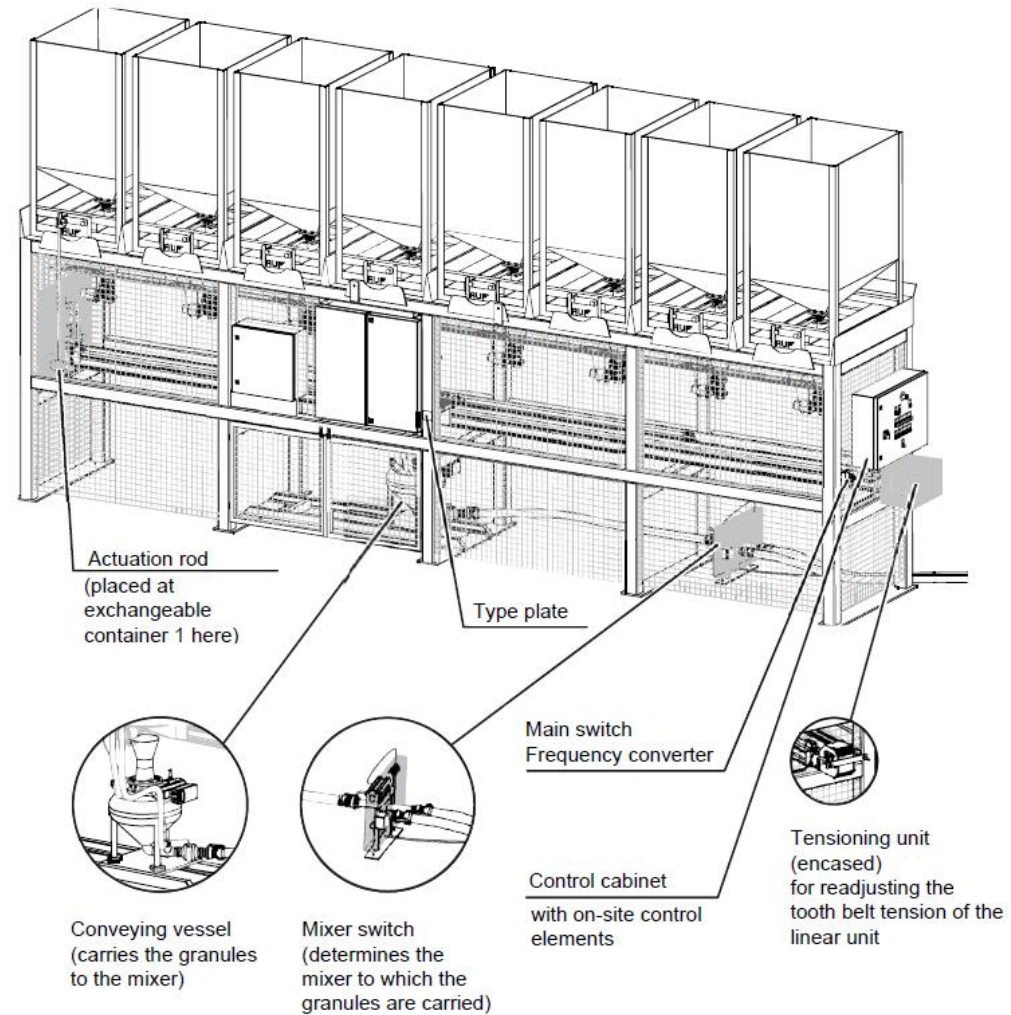


GRAPADOS

with vessel and mixer switch

Grapados 8

General arrangement drawing



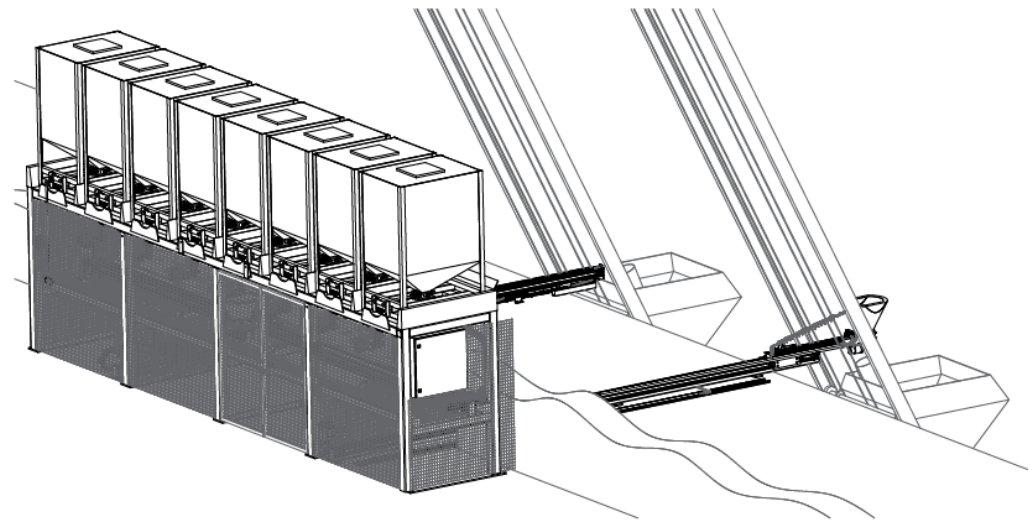


GRAPADOS

with discharge unit

➔ Grapados 8

General arrangement drawing





GRAPADOS

Advantages

- Small space requirement - especially for large systems
 - space requirement reduced by approx. 40 % compared to feeding by big bags
 - on-sided feeding by forklift
- Low overall height
 - no operator platform required
 - when using container feeding, the containers can be opened and closed at ground level by means of a special mechanism
- Variable number of conveying vessels for several mixers, without changing the space requirement
- Mobile weighing unit with tension relief during travelling
 - Frequency controlled and equipped with position transmitter