

Rolleramic



Rolleramic Specifications

_____ projection screens, size(s) _____

h x _____ w, electrically operated 60 Hz., 110-120V AC. Motor to be 3-wire, 1.1 (small motor) or 3.1 (large motor) amp draw, instantly reversible, designed for the purpose, lifetime lubricated. With internal thermal overload protector and mechanical brake. Motor mounted on rubber vibration insulators. Preset, accessible limit switches. Entire drive unit easily removable from case. Three-position control switch to stop or reverse screen at any point. Switch(es) furnished complete with coverplate.

Roller to be heavy gauge metal 5" O.D. black painted roller brackets to have double row radial ball bearings. Viewing surface to be fire and mildew resistant. Matt White XT1000E and Contrast Grey XH800E viewing surfaces are certified to GREENGUARD standards for low chemical emissions into indoor air during product usage. For more information, visit ul.com/gg.

Case of 3/4" warp resistant composition wood, with hinged panel for motor compartment, finished with primer coat of paint. Motor compartment to be metal lined. Bottom of case fully enclosed except slot allowing fabric passage. Steel mounting brackets, at least 1/4" thick, wrap under bottom edge of case. Entire unit certified by Underwriters' Laboratories, Inc. for the United States and Canada.

Downloadable 3-part specifications are available at www.draperinc.com. Specifications subject to change without notice.

Please Check All Appropriate Selections

Select Viewing Surface:

- Matt White XT1000E (1.0 gain): GREENGUARD Gold certified¹
- Glass Beaded CH3200E (3.2 gain)²
- Contrast Grey XH800E (0.8 gain) (Thru 8' x 20'): GREENGUARD Gold certified
- Other: _____

Optional Accessories:

- Extra Screen Drop (Total screen height cannot exceed 20')
 - Same color as viewing surface (standard on AV format screens)
 - Black (standard on all other formats)
 Length of total drop _____
- Black Masking Borders (Optional on AV format sizes; std on all others)

Control Options:

Please Note: This Draper motorized screen comes with one 110V-120V AC 3-position wall switch (silver wall plate with black rocker)

- _____ Total number of 110-120V AC switches (switches operate independently)
- Substitute white switch(es) for silver wall plate with black rocker
- Optional Low Voltage Control Module (LVC-IV)
 - 24 Volt 3-Button Switch Number of 24V switches: _____
 - Radio Frequency Remote Control (only with 24V)
 - Infrared Remote Control (only with 24V)

- Optional Key Operated Switch
 - Power Supply Key Switch (On-off)
 - 3-Position Key Control
 - 3-Position Switch with Hinged Key-Locking Coverplate

- Optional Video Interface Control
 - VIC-115 Override Switch
 - VIC-12 Override Switch
 - VIC-6 Override Switch**(VICs are compatible only with the Override Switch, and not with any other wall switches or controls)**

¹Matt White XT1000E screens require heavy-duty motor whenever total fabric (including extra drop) exceeds 144 sq. ft.

²Glass beaded CH3200E screens require heavy-duty motor when overall height exceeds 12' AND total fabric (including extra drop) exceeds 108 sq. ft.

Electrically Operated Projection Screen



Dimensions & Data

| Size H x W | Case Length | Net Wt. (lbs.) | Qty. | Size H x W | Case Length | Net Wt. (lbs.) | Qty. |
|------------------|-------------|----------------|------|--------------|-------------|----------------|------|
| AV Format | | | | 9' x 12' | 168" | 175 | |
| 50" x 50" | 74" | 90 | | 12' x 12' | 168" | 180 | |
| 60" x 60" | 84" | 95 | | 10' 6" x 14' | 198" | 210 | |
| 70" x 70" | 94" | 105 | | 14' x 14' | 198" | 220 | |
| 84" x 84" | 108" | 120 | | 12' x 16' | 222" | 240 | |
| 72" x 96" | 120" | 130 | | 16' x 16' | 222" | 245 | |
| 96" x 96" | 120" | 135 | | 13' 6" x 18' | 246" | 290 | |
| 7' x 9' | 132" | 135 | | 18' x 18' | 246" | 320 | |
| 9' x 9' | 132" | 140 | | 8' x 20' | 270" | 310 | |
| 8' x 10' | 144" | 150 | | 15' x 20' | 270" | 350 | |
| 10' x 10' | 144" | 155 | | 20' x 20' | 270" | 380 | |

| Nominal Diagonal | Image Area H x W | Overall Size | Case Length | Net Wt. (lbs.) | Qty. |
|--------------------------------|-------------------|-------------------|-------------|----------------|------|
| NTSC Video Format (4:3) | | | | | |
| 6' | 42 1/2" x 56 1/2" | 46 1/2" x 59 1/2" | 84" | 95 | |
| 7' | 50" x 66 1/2" | 53 1/2" x 69 1/2" | 94" | 105 | |
| 100" | 60" x 80" | 64" x 83 1/2" | 108" | 120 | |
| 10' | 69" x 92" | 73" x 96" | 120" | 130 | |
| 11' | 78" x 104" | 83" x 108" | 132" | 135 | |
| 150" | 87" x 116" | 92" x 120" | 144" | 150 | |
| 15' | 105" x 140" | 109" x 144" | 168" | 175 | |
| 200" | 118" x 158" | 123" x 162" | 192" | 210 | |
| 20' | 141" x 188" | 146" x 192" | 222" | 240 | |
| 250" | 148" x 198" | 153" x 202" | 232" | 285 | |
| 25' | 177" x 236" | 182" x 240" | 270" | 350 | |

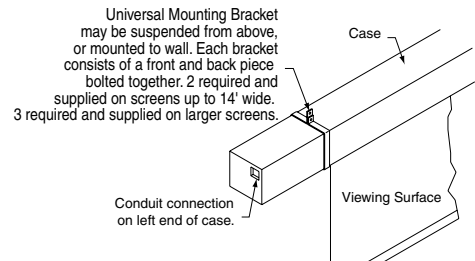
| | | | | | |
|---------------------------|-----------------|-----------------|------|-----|--|
| HDTV Format (16:9) | | | | | |
| 92" | 45" x 80" | 57" x 83 1/2" | 108" | 120 | |
| 106" | 52" x 92" | 64" x 96" | 120" | 130 | |
| 110" | 54" x 96" | 66" x 100" | 124" | 130 | |
| 119" | 58" x 104" | 62" x 108" | 132" | 135 | |
| 133" | 65" x 116" | 69" x 120" | 144" | 150 | |
| 161" | 79" x 140" | 84" x 144" | 168" | 175 | |
| 184" | 90" x 160" | 95" x 164" | 194" | 210 | |
| 193" | 94 1/2" x 168" | 99 1/2" x 172" | 202" | 225 | |
| 220" | 106" x 188" | 111" x 192" | 222" | 240 | |
| 227" | 111 1/2" x 198" | 116 1/2" x 202" | 232" | 285 | |
| 270" | 133" x 236" | 138" x 240" | 270" | 350 | |

| | | | | | |
|---------------------|-----------------|-----------------|------|-----|--|
| 16:10 Format | | | | | |
| 94" | 50" x 80" | 62" x 83 1/2" | 108" | 120 | |
| 109" | 57 1/2" x 92" | 70" x 96" | 120" | 130 | |
| 113" | 60" x 96" | 72" x 100" | 124" | 130 | |
| 123" | 65" x 104" | 69" x 108" | 132" | 135 | |
| 137" | 72 1/2" x 116" | 76 1/2" x 120" | 144" | 150 | |
| 165" | 87 1/2" x 140" | 92 1/2" x 144" | 168" | 175 | |
| 189" | 100" x 160" | 105" x 164" | 194" | 210 | |
| 198" | 105" x 168" | 110" x 172" | 202" | 225 | |
| 222" | 117 1/2" x 188" | 122 1/2" x 192" | 222" | 240 | |
| 234" | 123 3/4" x 198" | 128 3/4" x 202" | 232" | 285 | |
| 278" | 147 1/2" x 236" | 152 1/2" x 240" | 270" | 350 | |

Custom Size

* These sizes include 12" black drop as standard.
Case dimensions—9 1/8" H x 9 1/8" W Height of hangers above case—2 5/8"

Methods of Installation



Please Note: The Rolleramic is not available with the TorqStar Utility Line Set.

PROJECT: _____

ARCHITECT: _____

CONTRACTOR: _____

SUPPLIER: _____

DATE: _____ REVISED: _____

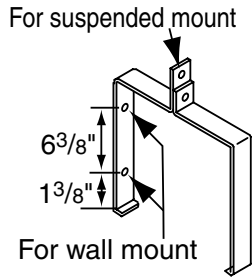


411 S. Pearl St., Spiceland, IN 47385 USA ■ 765-987-7999

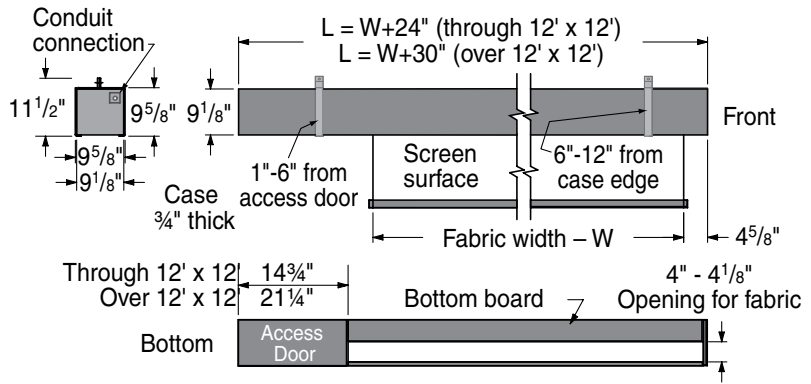
www.draperinc.com ■ fax 765-987-7142

Copyright © 2014 Draper Inc. Form Rolleramic_Sub14 Printed in U.S.A.

Rolleramic Mounting Bracket

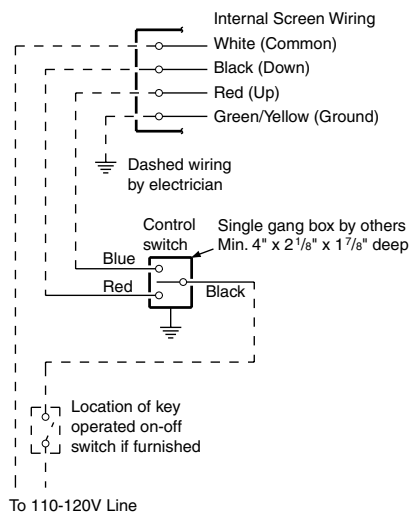


Case Dimensions

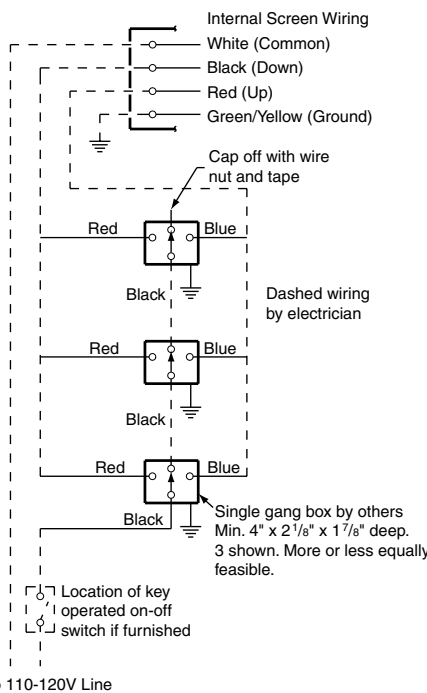


Wiring Diagrams

Single Station Control

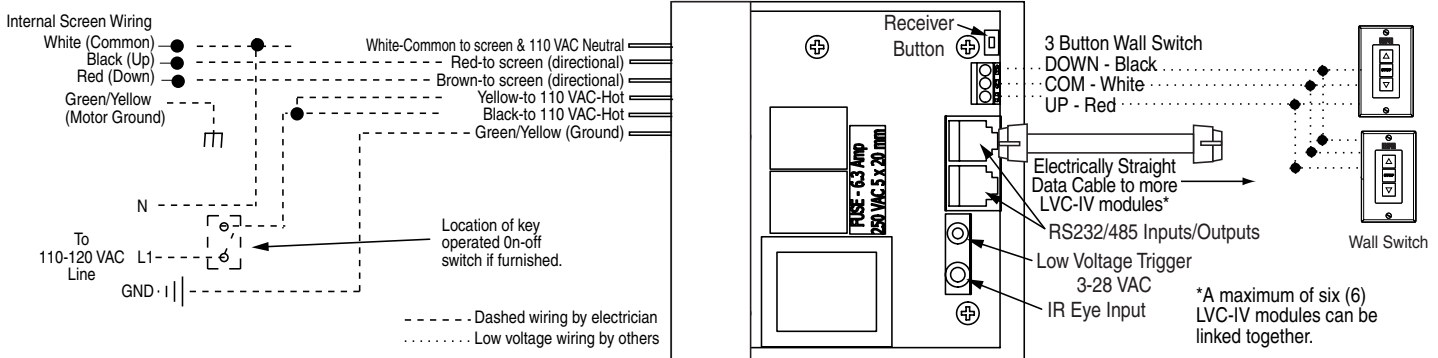


Multiple Station Control



Rolleramics with a heavy duty motor have a blue wire lead instead of a black wire lead coming from the motor.

Low Voltage, IR Remote, RF Remote, Serial or Network Control (LVC-IV)



*** For more information and wiring diagrams for low voltage multiple motors and network communication, please see wiring diagrams supplied with individual items.**

PROJECT: _____

SUPPLIER: _____

DATE: _____ REVISED: _____