



# Z5220

19" x 16" Undermount Lavatory

TAG \_\_\_\_\_



## Z5220

- 19" [483 mm] x 16" [406 mm]
- Vitreous china
- Rimless oval design for undermount installation
- Front overflow
- Waste: 1-1/4" O.D.
- Depth: 5"
- Shipping Weight: 22 lbs.

Z5220 Series

### Recommended Trim:

- Z8743-PC Grid Strainer
- Z8700 SERIES P-Trap
- Z8800 SERIES Stop with flexible supplies
- Z8946-1-NT ADA trap, stop, and supply protectors

### Optional Trim:

- Z8746-PC ADA grid Strainer
- Z8946-3-NT ADA trap, stop, and supply protectors for offset grid strainers.

### Engineering Specification:

- Z5220 19" x 16" vitreous china undermount lavatory.

This space is for Architectural/engineering Approval

*These dimensions and specifications are subject to change without notice.*

*Fixture dimensions meet ANSI/ASME standard A112.19.2 and CAN/CSA B45 requirements.*

*Meets the American Disabilities Guidelines and ANSI A117.1 requirements when lavatory is installed 864mm (34") from finished floor.*



See Zurn One Systems for suggested packages.

**Zurn Plumbing Products Group** Commercial Brass and Fixtures Operation  
2640 South Work Street · Falconer, NY 14733 · Phone: 716-665-1132 · Fax: 716-665-1135 · www.zurn.com

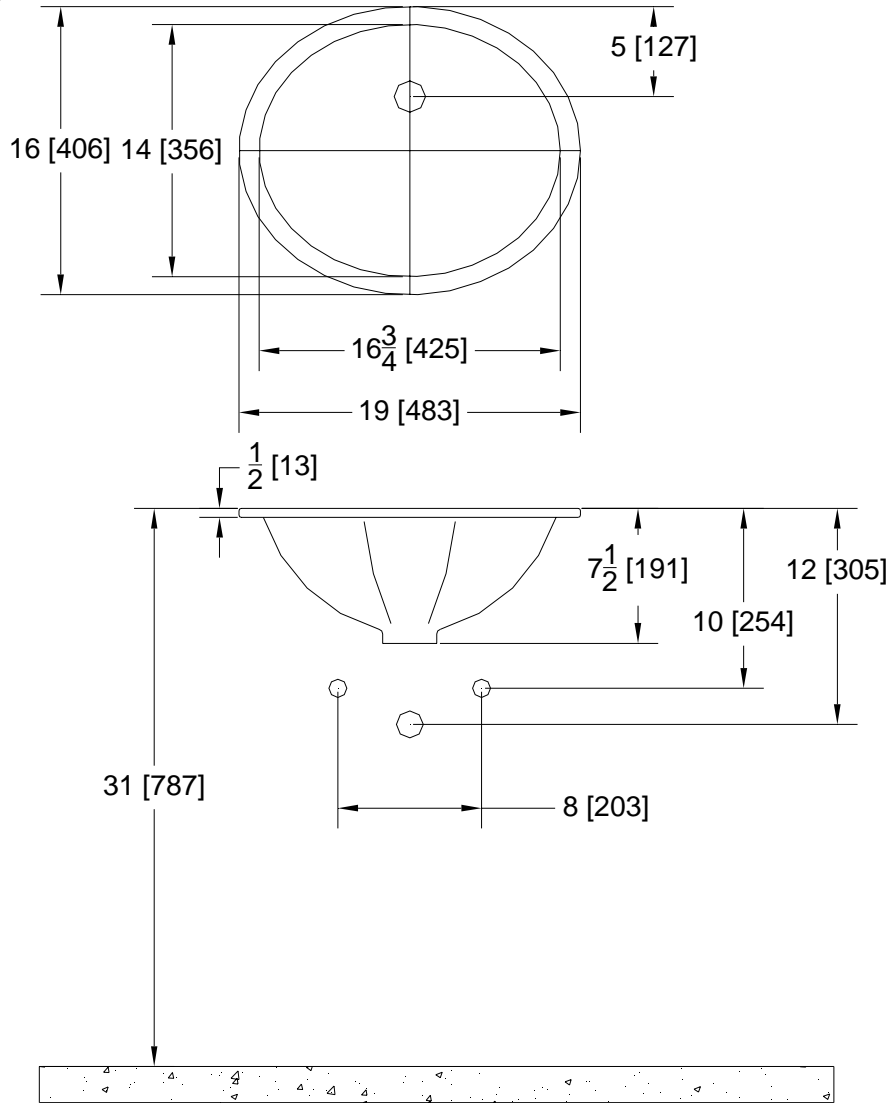


# Z5220

## 19" x 16" Undermount Lavatory Rough-in

TAG \_\_\_\_\_

Rough-in dimensions for Z5220



*These dimensions and specifications are subject to change without notice.*

*Fixture dimensions meet ANSI/ASME standard A112.19.2 and CAN/CSA B45 requirements.*

*Meets the American Disabilities Guidelines and ANSI A117.1 requirements when lavatory is installed 864mm (34") from finished floor.*



**Zurn Plumbing Products Group** Commercial Brass and Fixtures Operation  
2640 South Work Street · Falconer, NY 14733 · Phone: 716-665-1132 · Fax: 716-665-1135 · [www.zurn.com](http://www.zurn.com)