

CHEX

CONTROL SWITCH AND EMERGENCY SWITCH FOR EXPLOSIVE ATMOSPHERES - 533 SERIES

PROTECTION: Ex d e – Ex tb

ZONES: 1 and 2 – 21 and 22

GROUPS: IIC – IIIC

TEMP. CLASS GASES AND VAPORS: T6 – T5 – T4

TEMP. CLASS COMBUSTIBLE DUSTS:

T80°C – T95°C – T130°C

EPL: Gb – Db

DEGREE OF PROTECTION: IP66

APPLICABLE STANDARDIZING:

ABNT NBR IEC 60079-0 | ABNT NBR IEC 60079-7

ABNT NBR IEC 60079-1 | ABNT NBR IEC 60079-31



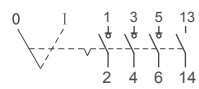
TECHNICAL SPECIFICATIONS

- Made in **polyester** reinforced with fiberglass, **in black**.
- Sealing unit.
- Internal grounding terminal.

CHEX 533 - 16/25A

MAXIMUM CURRENT	TERMINALS	CONTROL CAPACITY	ASSISTANT CONTACT
25A	2 x 4 mm ²	AC 3 230V - 25A 400V - 25A 500V - 20A 690V - 16A	(I/ON) (O/OFF) 3 poles: 1NA 6 poles: 1NA + 1NF

MODEL	CABLE CRIMP (CRIMPING RANGE)	WEIGHT (KG)	CODE
-------	------------------------------	-------------	------



Control switch - 3 poles
Emergency switch - 3 poles

2 x M25 / Φ 8-17 mm
1 x M20 / Φ 5.5-13 mm

1,9

CHEX 533 0256 AD00
CHEX 533 0256 AR00



Control switch



Control switch - 6 poles
Emergency switch - 6 poles

4 x M25 / Φ 8-17 mm
1 x M20 / Φ 5.5-13 mm

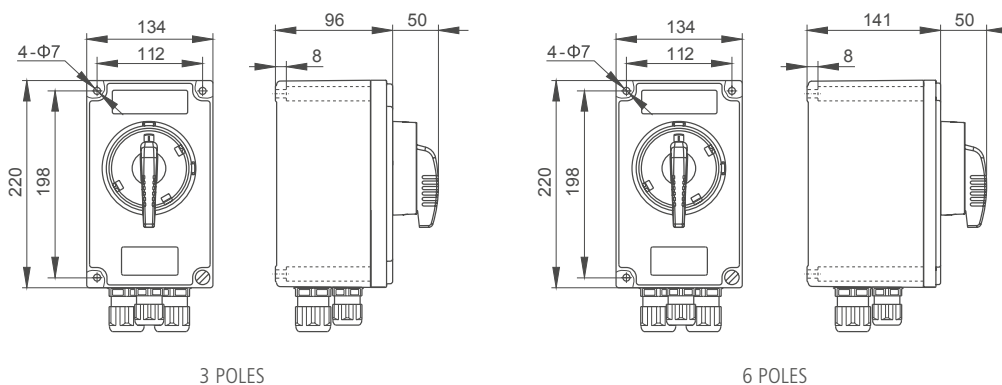
2,3

CHEX 533 0256 AD00
CHEX 533 0256 AR00



Emergency switch

EXTERNAL DIMENSIONS

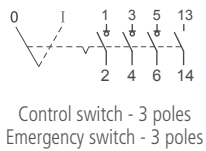


CHEX

CHEX 533 - 32/40A

MAXIMUM CURRENT	TERMINALS	CONTROL CAPACITY	ASSISTANT CONTACT
40A	2 x 10 mm ²	AC 3 230V - 40A 400V - 40A 500V - 40A 690V - 32A	(I/ON) (0/OFF) 3 poles: 1NA 6 poles 1NA + 1NF

MODEL	CABLE CRIMP (CRIMPING RANGE)	WEIGHT (kg)	CODE
-------	------------------------------	-------------	------



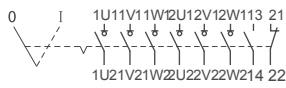
2 x M40 / Φ 17-28 mm
1 x M20 / Φ 5.5-13 mm

3,2

CHEX 533 0403 AD00
CHEX 533 0403 AR00



Control switch



4 x M40 / Φ 17-28 mm
1 x M20 / Φ 5.5-13 mm

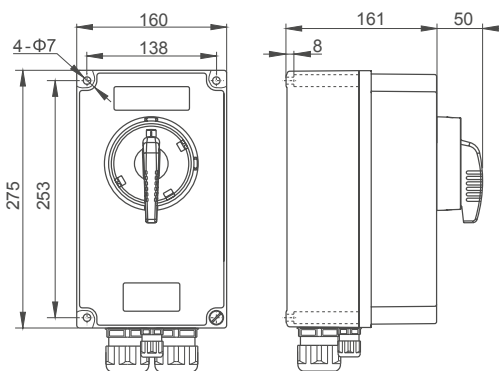
4,0

CHEX 533 0406 AD00
CHEX 533 0406 AR00

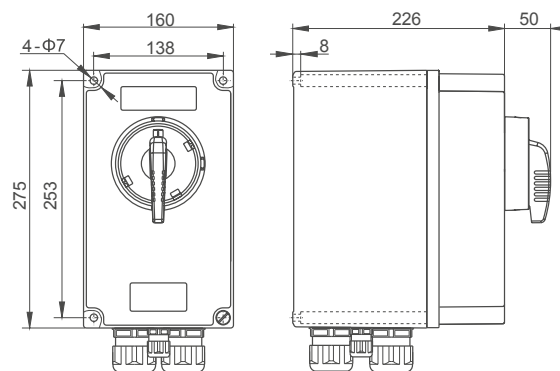


Emergency switch

EXTERNAL DIMENSIONS



3 POLES

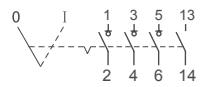


6 POLES

CHEX 533 - 63/80A

MAXIMUM CURRENT	TERMINALS	CONTROL CAPACITY	ASSISTANT CONTACT
80A	1 x 35 mm ²	AC 3 230V - 80A 400V - 80A 500V - 80A 690V - 63A	(I/ON) (O/OFF) 3 poles: 1NA 6 poles 1NA + 1NF

MODEL	CABLE CRIMP (CRIMPING RANGE)	WEIGHT (kg)	CODE
-------	------------------------------	-------------	------



Control switch - 3 poles
Emergency switch - 3 poles

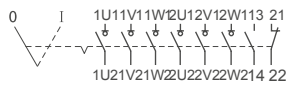
2 x M50 / Φ 22-35 mm
1 x M20 / Φ 5.5-13 mm

7,5

CHEX 533 0803 AD00
CHEX 533 0803 AR00



Control switch



Control switch - 6 poles
Emergency switch - 6 poles

4 x M50 / Φ 22-35 mm
1 x M20 / Φ 5.5-13 mm

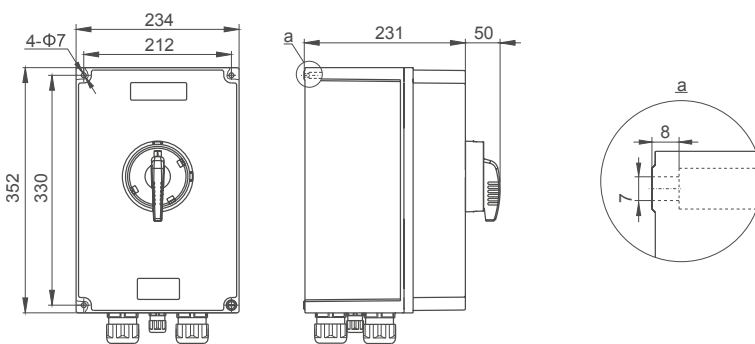
8,5

CHEX 533 0806 AD00
CHEX 533 0806 AR00



Emergency switch

EXTERNAL DIMENSIONS



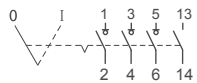
3 E 6 POLES

CHEX

CHEX 533 - 125/180A

MAXIMUM CURRENT	TERMINALS	CONTROL CAPACITY	ASSISTANT CONTACT
180A	125A 1 x 50/70 mm ²	AC 3 230V - 180A 400V - 180A 500V - 180A 690V - 125A	(I/ON) (0/OFF) 3 poles: 1NA 6 poles 1NA + 1NF
	180A 1 x 120 mm ²		

MODEL	CABLE CRIMP (CRIMPING RANGE)	WEIGHT (KG)	CODE
-------	------------------------------	-------------	------



Control switch - 3 poles
Emergency switch - 3 poles

2 x M63 / Φ 27-48 mm
1 x M20 / Φ 5.5-13 mm

11,4

CHEX 533 1803 AD00
CHEX 533 1803 AR00



Control switch

Emergency switch



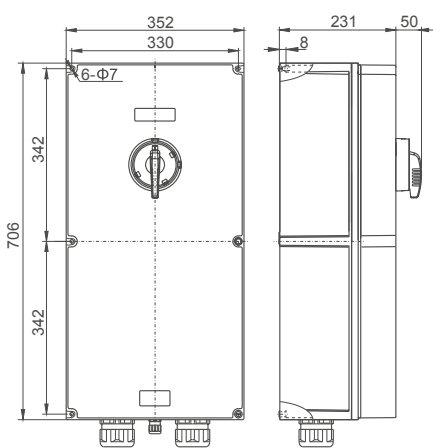
Control switch - 6 poles
Emergency switch - 6 poles

4 x M63 / Φ 27-48 mm
1 x M20 / Φ 5.5-13 mm

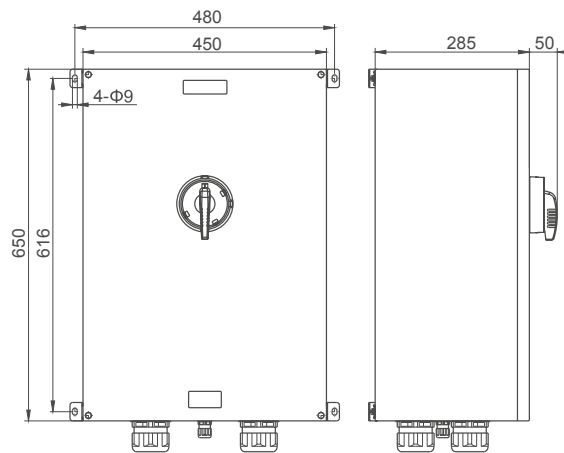
31

CHEX 533 1806 AD00
CHEX 533 1806 AR00

EXTERNAL DIMENSIONS



3 POLES



6 POLES

CHEX

CONTROL SWITCH AND EMERGENCY SWITCH FOR EXPLOSIVE ATMOSPHERES - 534 SERIES

PROTECTION: Ex d e – Ex tb

ZONES: 1 and 2 – 21 and 22

GROUPS: IIC – IIIC

TEMP. CLASS GASES AND VAPORS: T6 – T5 – T4

TEMP. CLASS COMBUSTIBLE DUSTS:

T80 °C – T95 °C – T130°C

EPL: Gb – Db

DEGREE OF PROTECTION: IP66

APPLICABLE STANDARDIZING:

ABNT NBR IEC 60079-0 | ABNT NBR IEC 60079-7

ABNT NBR IEC 60079-1 | ABNT NBR IEC 60079-31



TECHNICAL SPECIFICATIONS

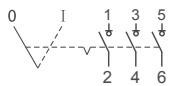
- Made in **polyester** reinforced with fiberglass, **in black**.
- Sealing unit.
- Internal grounding terminal.

CHEX

CHEX 534 - 16/25A

MAXIMUM CURRENT	TERMINALS	CONTROL CAPACITY
16A (690V AC)	2 x 6 mm ²	AC 3
25A (400V AC)		230V - 25A 400V - 25A 500V - 20A 690V - 16A

MODEL	CABLE CRIMP (CRIMPING RANGE)	WEIGHT (KG)	CODE
-------	------------------------------	-------------	------

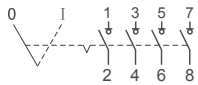


3 Poles

2 x M25 / Φ 8-17 mm

1,9

CHEX 534 0253 D000



4 Poles

2 x M25 / Φ 8-17 mm

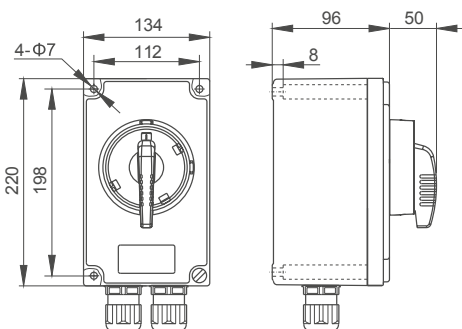
1,9

CHEX 534 0254 D000



D: Control switch (black lever)
R: Emergency switch (red/yellow switch)

EXTERNAL DIMENSIONS



3 AND 4 POLES

CHEX 534 - 32/40A

MAXIMUM CURRENT	TERMINALS	CONTROL CAPACITY
32A (690V AC)	2 x 16 mm ²	AC 3 230V - 40A 400V - 40A 500V - 40A 690V - 32A
40A (400V AC)		

MODEL	CABLE CRIMP (CRIMPING RANGE)	WEIGHT (KG)	CODE
-------	------------------------------	-------------	------

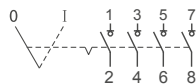


3 Poles

2 x M40 / Φ17-28 mm

3,2

CHEX 534 0403 D000



4 Poles

2 x M40 / Φ17-28 mm

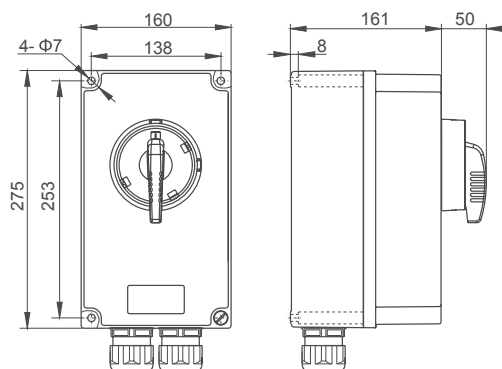
3,2

CHEX 534 0404 D000



D: Control switch (black lever)
 R: Emergency switch (red/yellow switch)

EXTERNAL DIMENSIONS



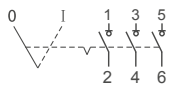
3 AND 4 POLES

CHEX

CHEX 534 - 63/80A

MAXIMUM CURRENT	TERMINALS	CONTROL CAPACITY
63A (690V AC)	1 x 35 mm ²	AC 3
80A (400V AC)		230V - 80A 400V - 80A 500V - 80A 690V - 63A

MODEL	CABLE CRIMP (CRIMPING RANGE)	WEIGHT (KG)	CODE
-------	------------------------------	-------------	------

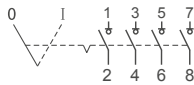


3 Poles

2 x M50 / Φ 22-35 mm

6,9

CHEX 534 0803 D000



4 Poles

4 x M50 / Φ 22-35 mm

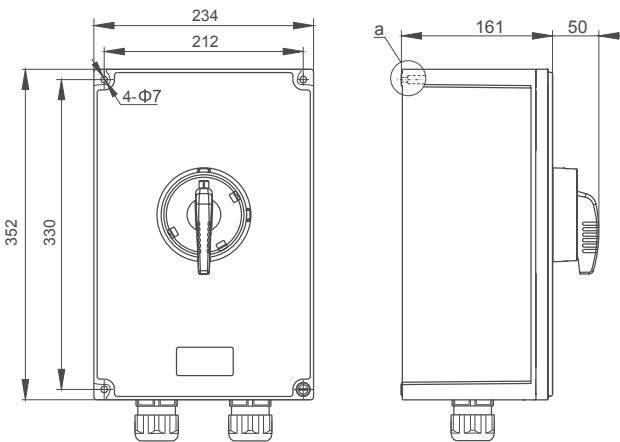
6,9

CHEX 534 0804 D000



D: Control switch (black lever)
R: Emergency switch (red/yellow switch)

EXTERNAL DIMENSIONS



3 AND 4 POLES

CHEX 534 - 125/180A

MAXIMUM CURRENT	TERMINALS	CONTROL CAPACITY
125A (690V AC)	125A 1 x 50/70 mm ²	AC 3 230V - 180A 400V - 180A 500V - 150A 690V - 125A
180A (400V AC)	180A 1 x 120 mm ²	

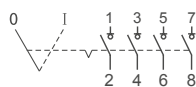
MODEL	CABLE CRIMP (CRIMPING RANGE)	CODE
-------	------------------------------	------



3 Poles

2 x M63 / Φ 27-48 mm

CHEX 534 1803 D000



4 Poles

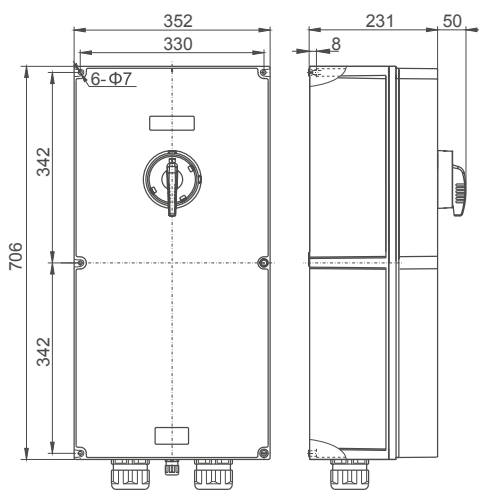
4 x M63 / Φ 27-48 mm

CHEX 534 1804 D000



D: Control switch (black lever)
 R: Emergency switch (red/yellow switch)

EXTERNAL DIMENSIONS



3 AND 4 POLES

CHEX

SECTIONING SWITCH FOR EXPLOSIVE ATMOSPHERES - 513 SERIES

PROTECTION: Ex d e

ZONES: 1 and 2

GROUPS: IIC

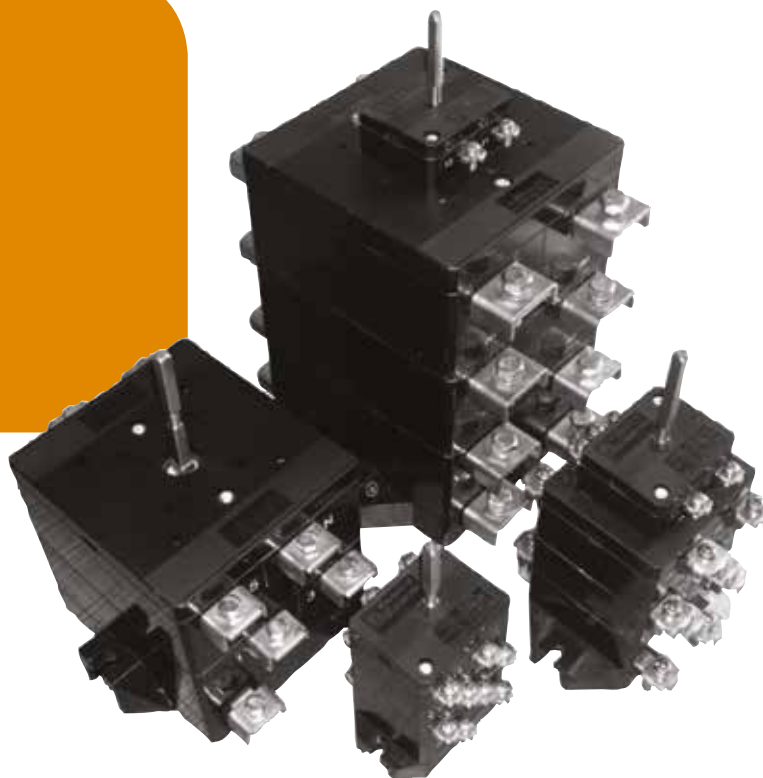
EPL: Gb

APPLICABLE STANDARDIZING:

ABNT NBR IEC 60079-0

ABNT NBR IEC 60079-1

ABNT NBR IEC 60079-7



TECHNICAL SPECIFICATIONS

- Terminals section:
 - 25A: 2 x 1,5 to 4 mm²
 - 40A: 2 x 10 mm²
 - 80A: 2 x 16 to 25 mm²
 - 180A: 2 x 50 to 95 mm²
- Operating current:

AC3	230V	400V	500V	690V
	25A	25A	20A	16A
	40A	40A	40A	32A
	80A	80A	80A	63A
	180A	180A	150A	125A



MODEL AND ELECTRIC DIAGRAM	CURRENT	WEIGHT (KG)	CODE
<p>3 Poles</p>	25A	0,55	_ 25 / 3 _
	40A	1,00	_ 40 / 3 _
	80A	3,30	_ 80 / 3 _
	180A	6,00	_ 180 / 3 _
<p>4 Poles</p>	25A	0,58	_ 25 / 4 _
	40A	1,10	_ 40 / 4 _
	80A	3,50	_ 80 / 4 _
	180A	6,50	_ 180 / 4 _

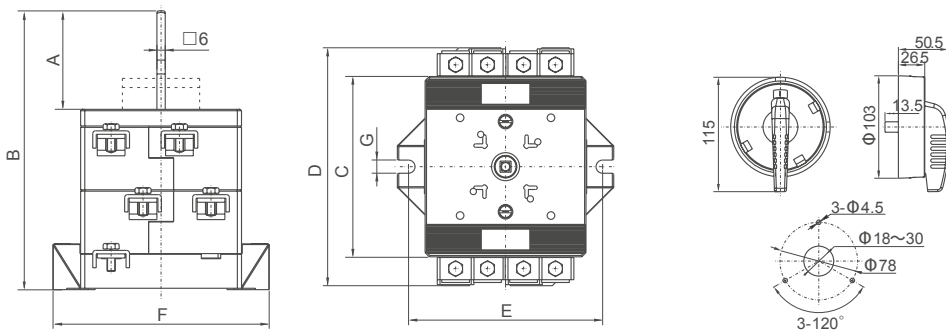
D: Control switch (black lever)
 R: Emergency switch (red/yellow switch)

Poles: 3P / 4P / 3P+N / 6P

0: 1NA + 1NF
 1: 2NF
 2: 2NA
 3: 1NF
 4: 1NA

Assistant contact
 (blank, non-applicable)

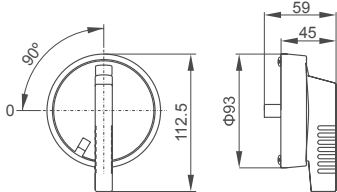

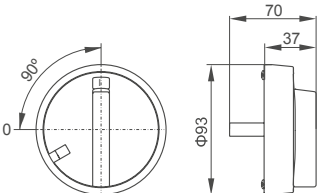

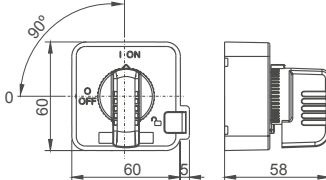

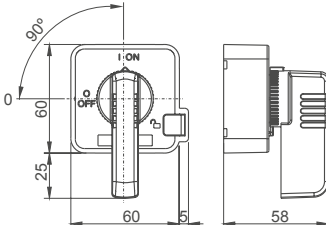

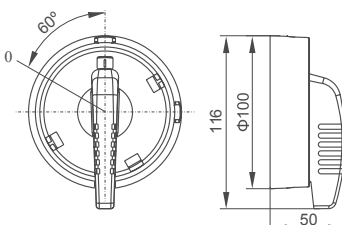
EXTERNAL DIMENSIONS



POLES	25A							40A							80A							180A											
	A	B	C	D	E	F	G	A	B	C	D	E	F	G	A	B	C	D	E	F	G	A	B	C	D	E	F	G					
3P	41	105						83	171						71	201											84	241					
2P	41	105						83	171						71	201											84	241					
3P+N	41	105						83	171						71	201											84	241					
3P-4	41	105						57	171						45	201											58	241					
3P-0	23	105	50	72	74	80	5,5	57	171	73	118	115	126	6,5	45	201	130	172	142	156	9,5	58	241	145	201	172	192	9,5					
4P-4	23	105						57	171						45	201											58	241					
4P-0	23	105						57	171						45	201											58	241					
6P-0	51	151						59	201						39	241											50	291					
6P-2	51	151						59	201						39	241											50	291					

ACCESSORIES

DESCRIPTION	CODE	IMAGE
Used as operation window for internal equipment actuators.	8002/1	OPERATION WINDOWS
	8002/2	
Used to connect boxes.	8004	BOX CONNECTORS
	8005	
	8006	
Display installed on cover.	8007	DISPLAY
	8032	

DIMENSIONS	CODE	IMAGE
	<p>8003/1 D REGULAR (BLACK)</p> <hr/> <p>8003/1 R EMERGENCY (RED YELLOW)</p>	<p>COMMUTATOR FRONT</p> 
	<p>8003/2</p>	<p>COMMUTATOR FRONT</p> 
	<p>8029/2</p>	<p>COMMUTATOR FRONT</p> 
	<p>8029/2</p>	
	<p>8003/3 D REGULAR (BLACK)</p> <hr/> <p>8003/3 R EMERGENCY (RED YELLOW)</p>	<p>COMMUTATOR FRONT</p> 