

AprilAire[®]

Air Cleaner

SPECIFICATION SHEET

Models 2210/2310/2410

2000 Series Air Cleaners with Healthy Home MERV 13 Filters



FEATURES

- Ships with Healthy Home MERV 13 filter
- All can use MERV 11 filters, and 2210 & 2410 can use MERV 13 with Carbon or MERV 16 filters with simple media change.
- Minimal maintenance required — simply replace filter annually
- Made of corrosion-resistant heavy gauge pre-painted steel
- Proprietary door design and Self-Seal™ media virtually eliminates air bypass, delivering MERV performance as rated
- UL listed air cleaners, UL classified filters
- Load rated up to 400 lbs.
- 5-year warranty on cabinet from date of installation

BENEFITS

- Offers equipment protection from dust buildup, reducing profit-robbing callbacks
- Assure system performance pressure through low static
- Superior performance over one-inch filters— next to no bypass, longer filter life, traps more particles

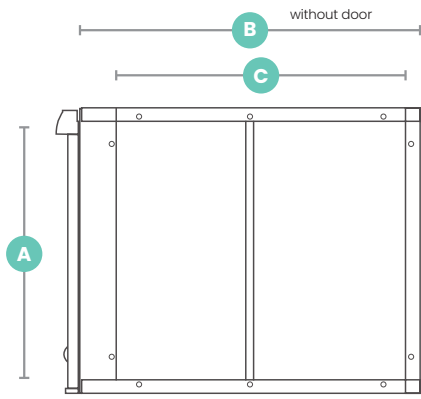
PRODUCT SPECIFICATIONS

	Nominal Size (In Inches)	Shipping Weight	MERV 13				MERV 11					
			Replacement Filter	Resistance @ Airflow Volume (inches w.c. @CFM)	Filter Carton Shipping Weight	Filtering Media Area	Replacement Filter	Resistance @ Airflow Volume (inches w.c. @CFM)	Filter Carton Shipping Weight	Filtering Media Area		
Model 2210	20 x 25	18 lbs.	Ships With	Model 213	.06"@600 .09"@800 .12"@1000 .15"@1200 .23"@1600 .19"@1400 .27"@1800 .31"@2000	25 lbs., 8 filters per carton	28 sq. ft.	Also Uses	Model 210	.04"@600 .13"@1400 .06"@800 .16"@1600 .08"@1000 .19"@1800 .11"@1200 .22"@2000	25 lbs., 8 filters per carton	28 sq. ft.
Model 2310	20 x 20	15 lbs.		Model 313	.09"@600 .17"@1000 .13"@800 .23"@1200	19 lbs., 8 filters per carton	21.3 sq. ft.		Model 310	.06"@600 .14"@1000 .10"@800 .19"@1200	19 lbs., 8 filters per carton	21.3 sq. ft.
Model 2410	16 x 25	17 lbs.		Model 413	.07"@600 .10"@800 .14"@1000 .17"@1200 .26"@1600 .22"@1400 .31"@1800 .37"@2000	22 lbs., 8 filters per carton	24.5 sq. ft.		Model 410	.05"@600 .15"@1400 .07"@800 .19"@1600 .09"@1000 .22"@1800 .12"@1200 .27"@2000	22 lbs., 8 filters per carton	24.5 sq. ft.

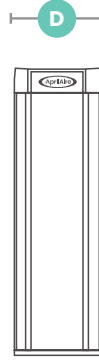
REMOVAL EFFICIENCY (Based on Particle Size)

	0.3 - 1.0 Microns	1.0 - 3.0 Microns	3.0 - 10 Microns
MERV 13	63%	88%	93%
MERV 11	37%	67%	92%

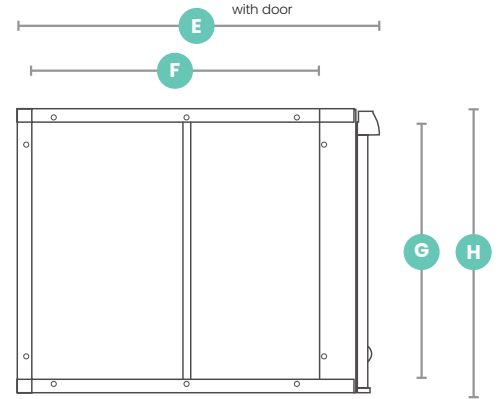
RIGHT SIDE



FRONT

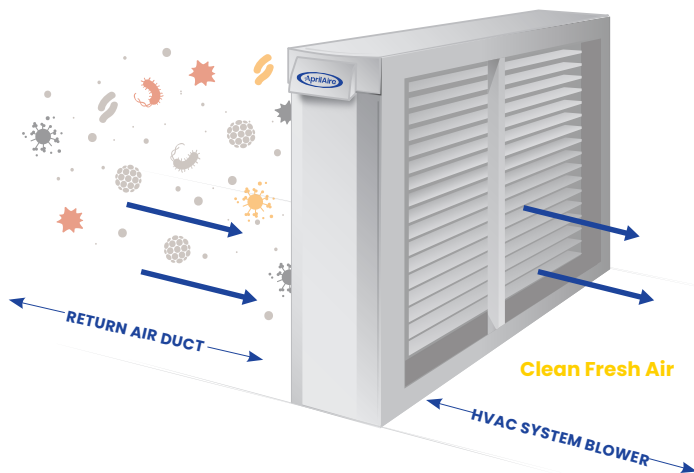


LEFT SIDE



Dim.	Description	Model		
		2210	2310	2410
A	Inlet Opening Height	19 3/4" (502mm)	18 1/16" (459mm)	15 7/16" (392mm)
B	Outer Housing Depth without Door	25 3/8" (645mm)	20 1/16" (510mm)	28 1/16" (713mm)
C	Inlet Opening Width	21 3/16" (538mm)	15 7/8" (403mm)	23 7/8" (606mm)
D	Unit Width	6 3/4" (171mm)	6 3/4" (171mm)	6 3/4" (171mm)
E	Outer Housing Depth with Door	27 3/8" (695mm)	22 1/16" (560mm)	30 1/16" (764mm)
F	Outlet Opening Width	21 3/16" (538mm)	15 7/8" (403mm)	23 7/8" (606mm)
G	Outlet Opening Height	19 3/4" (502mm)	18 1/16" (459mm)	15 7/16" (392mm)
H	Unit Height	22 1/16" (560mm)	20 3/8" (518mm)	17 3/4" (451mm)

REPLACEMENT FILTER



Ships With	Model 2210	Filter Model 213
	Model 2310	Filter Model 313
	Model 2410	Filter Model 413

Same protection is recommended for all HVAC types. Including downflow, upflow and horizontal configurations.