

WhisperGreen® Select™ Connected Ventilation Fans

WhisperGreen® Select
VENTILATION FAN

Fan Only Models: FV-0511VK2,
FV-0511VKS2, FV-1115VK2

Fan/Light Models: FV-0511VKL2,
FV-0511VKSL2, FV-1115VKL2



HEALTHY AIR, HEALTHY HOME

True Flow ratings at **0.375"** static pressure provide powerful airflow to assure code compliant, healthy homes.



KEY FEATURES

- Precision, whole-house ventilation solution ideal for use in the bathroom, laundry room, sun room, basement or garage
- Helps assure good indoor air quality for a healthy home and healthy living
- Customizable, connected fan and fan/dimmable LED light combinations
- Pick-A-Flow airflow selector (50-80-110 or 110-130-150 CFM models) combined with SmartFlow™ technology simplifies the selection process and ensures optimum performance to meet code and reduce callbacks
- Elegant grille design complements the aesthetics of any room
- Single-hinged Flex-Z Fast™ bracket provides flexible, fast and easy installation
- Can be used to comply with ASHRAE 62.2, LEED, CALGreen, IAP, California Title 24, WA Ventilation Code and ENERGY STAR for Homes 3.0

ADDITIONAL BENEFITS

- Ideal IAQ solution for green builders
- Environmentally friendly 26 gauge housing using Zinc-Aluminum-Magnesium (ZAM) coating
- Integrated 4" or 6" dual duct adapter enhances installation options / Fits in 2 x 8 construction
- Built-in metal flange provides blocking for penetrations through drywall as an air barrier, and assists with the decrease in leakage in the building envelope during blower door testing
- Suitable for installation in ceilings insulated up to R60
- Dual access junction box simplifies wiring in tight spaces
- UL Listed for tub/shower enclosure when GFCI protected
- UL Listed for use with the Panasonic Ceiling Radiation Damper (model # PC-RD05C5)
- 6-year warranty on ECM motor, 5 years on LED, 3 years on parts

*Industry research indicates static pressure in typical installations ranges from 0.20" to 0.375".

One Connected Fan. Endless Possibilities.

The customizable IAQ solution for virtually any space

For over 25 years, Panasonic has developed innovative solutions that promote better indoor air quality and healthy home building. On our mission to help you build healthy homes, WhisperGreen® Select™ offers a powerful connected IAQ solution that delivers healthy indoor air quality for healthy living in any space.

WHISPERGREEN SELECT™ IS AS EASY AS 1-2-3!

Step 1: Select a Base Fan Model

Select a base model to start building the perfect IAQ solution that satisfies your ventilation design requirements.

Fan	Fan/Light
FV-0511VK2: 50 to 110 CFM single speed	FV-0511VKL2: 50 to 110 CFM single speed + LED Light
FV-0511VKS2: 30 to 110 CFM pre-installed multi-speed	FV-0511VKSL2: 30 to 110 CFM pre-installed multi-speed + LED Light
FV-1115VK2: 50 to 150 CFM single speed	FV-1115VKL2: 50 to 150 CFM single speed + LED Light

Pick-A-Flow™ Airflow Technology

Pick-A-Flow™ Airflow Selector – one fan, you choose the CFM. Provides the unique ability to select your required airflow (50-80-110 and 110-130-150 CFM models) with the simple flip of a switch.

Step 2: Select Value Added Features

WhisperGreen Select™ offers a unique set of three patented modules that allow you to further customize your fan:

Multi-Speed with Time Delay (FV-VS15VK1) – Allows you to select the proper CFM settings to satisfy ASHRAE 62.2 continuous ventilation requirements. The fan runs continuously at a pre-set lower level, then elevates to a maximum level of operation when the wall switch is turned on, or when the SmartAction® motion sensor or condensation sensor module is activated. A high/low delay timer returns the fan to the pre-set CFM level after a period of time set by the user.

SmartAction® Motion Sensor (FV-MSVK1) – Automatically activates when someone enters the room. Once the settings have been applied, the fan becomes truly automatic, making it ideal for people with disabilities and assisted living environments such as nursing homes and retirement communities. This module also activates an automatic 20-minute delay off timer for the fan.

Condensation Sensor (FV-CSVK1) – Helps control bathroom condensation to prevent mold and mildew. Advanced sensor technology detects relative humidity and temperature to anticipate dew point, automatically turning the fan on to control humidity. Built-in Relative Humidity (RH) sensitivity adjustment enables fine tuning for moist conditions (30% to 80%, in 10% increments) and for satisfying CALGreen requirements. When the condensation sensor is used in conjunction with multi-speed functionality, the fan will kick up to high speed when the condensation sensor detects moisture in the room. This module also activates an automatic 20-minute delay off timer for the fan.



Multi-Speed with Time Delay (FV-VS15VK1)



SmartAction® Motion Sensor (FV-MSVK1)



Condensation Sensor (FV-CSVK1)

Step 3: Install Your Ideal Fan with the New! Flex-Z Fast™ Installation System



Single-hinged articulating joints to easily position bracket in between the joist and/or through ceiling hole.



Easily position bracket in between the joist or ceiling hole.



Extend bracket to desired length.

Ingeniously designed installation bracket provides flexible, fast and easy installation for all your new construction or renovation projects.

Superior Installed Performance up to 0.375" and Certified Quiet Operation at 0.25" Static Pressure

Although ASHRAE, ENERGY STAR®, LEED for Homes, and HVI have set the industry standard for performance measurement at 0.1" and 0.25", WhisperGreen® Select™ fans provide powerful CFM output at 0.375" that is more representative of typical installations. Sonex has also been certified at 0.25" to provide a more realistic, installed value, so they are quiet under pressure and after installation.

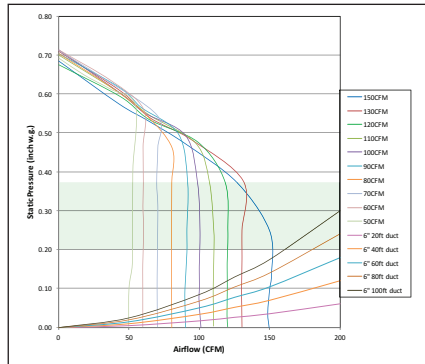


HEALTHY AIR, HEALTHY HOME

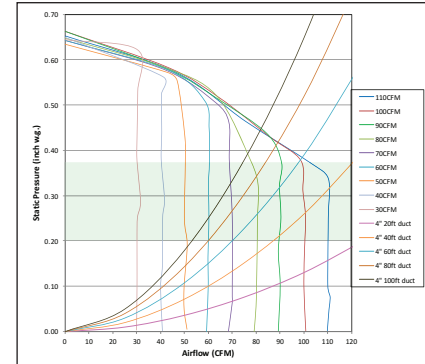
True Flow ratings at **0.375"** static pressure provide powerful airflow to assure code compliant, healthy homes.



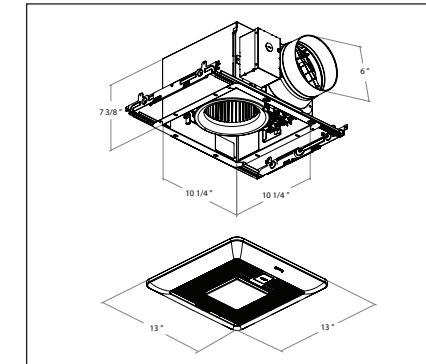
FV-1115VKL2
(with Pre-Installed Multi-Speed module)



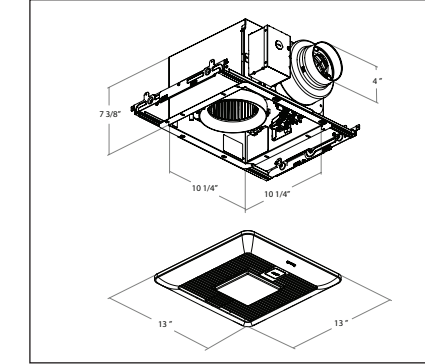
FV-0511VKSL2



FV-1115VKL2



FV-0511VKSL2



Specifications	WhisperGreen [®] Select™ [Fan/LED Light]																								
	Base Fan with LED Light																								
	FV-0511VKL2												FV-1115VKL2												
Characteristics (HWI tested data for 0.1" S.P.)	Static Pressure in inches w.g.	0.1	0.25	0.375	0.1	0.25	0.375	0.1	0.25	0.375	0.1	0.25	0.375	0.1	0.25	0.375	0.1	0.25	0.375	0.1	0.25	0.375			
	Air Volume (CFM)	110	110	103	80	80	78	50	50	50	150	150	127	130	130	131	110	110	107	110	110	103	100	101	
	Noise (sones)	0.4	0.8	-	<0.3	0.5	-	<0.3	0.4	-	0.4	0.8	-	<0.3	0.5	-	<0.3	0.3	-	0.4	0.8	-	<0.3	0.8	
	Power Consumption (watts)	10.5	15.8	19.4	5.3	9.9	13.8	3.2	6.2	9.9	14.9	22.5	23.8	10.4	17.9	25.4	7.5	13.4	18.8	10.5	15.8	19.4	8.2	13.6	
	Energy Efficiency (CFM/Watt)	10.5	6.9	5.2	15.3	8.2	5.6	15.7	8.1	5.1	10.1	6.7	5.3	12.5	7.2	5.1	14.6	8.2	5.7	10.5	6.9	5.2	12.2	7.4	
	Speed (RPM)	958	1203	1375	811	1127	1341	730	1066	1281	722	951	1105	682	932	1113	648	916	1108	958	1203	1375	908	1194	
	Amps [Current]	0.11	0.16	0.19	0.06	0.10	0.14	0.04	0.07	0.066	0.15	0.22	0.23	0.11	0.18	0.25	0.08	0.14	0.19	0.11	0.16	0.19	0.09	0.14	
	MAX. Amps [Current]	0.19												0.23											
	Power Rating [V/Hz]	120/60												120/60											
	Motor Type	ECM												ECM											
Type of Motor Bearing	Ball												Ball												
Thermal Fuse Protection	Yes												Yes												
Blower Wheel Type	Sirocco												Sirocco												
ENERGY STAR Qualified	Yes												Yes												
Duct Diameter [Inches]	4 & 6												6												
Mounting Opening [Inches sq.]	10-1/2												10-1/2												
Grille Size [Inches sq.]	13												13												
Lamp Watts	10												10												
Lumens (lm)	700lm per lamp*												700lm per lamp*												
Lumens Per Watt (LPW)	70LPW												70LPW*												
Color Rendering Index	90												90												
Color Temperature [Kelvin]	3,000K												3,000K												
Rated Life (hours)	50,000												50,000												
Lamp Model #	N/A												N/A												
Type of Lamp Socket	LED Chip												LED chip												
Night Light Specs	Night Light Watts												0.2												
Shipping	Gross Weight (lbs)												12.55												
Approved Code/ Standard/ Regulation	UL tub/Shower Enclosure												Yes												
	Washington VIAQ Code												Yes												
	Wall installation												No												
	California Title 24 Compliant												Yes												
Mfg in ISO 9001 Certified Facility												Yes													

Specifications	WhisperGreen [®] Select™ [Fan/LED Light]																								
	Base Fan with LED Light and Pre-Installed Multi-Speed																								
	FV-0511VKSL2																								
Characteristics (HWI tested data for 0.1" S.P.)	Static Pressure in inches w.g.	0.375	0.1	0.25	0.375	0.1	0.25	0.375	0.1	0.25	0.375	0.1	0.25	0.375	0.1	0.25	0.375	0.1	0.25	0.375	0.1	0.25	0.375		
	Air Volume (CFM)	99	90	90	90	80	80	78	70	70	69	60	60	60	50	50	50	40	41	40	30	30	30	30	
	Noise (sones)	-	<0.3	0.6	-	<0.3	0.5	-	<0.3	0.5	-	<0.3	0.4	-	<0.3	0.4	-	<0.3	0.4	-	<0.3	0.4	-	-	
	Power Consumption (watts)	18.0	6.7	11.6	15.9	5.3	9.9	13.8	4.6	8.7	12.3	3.7	7.2	10.4	3.2	6.2	9.9	2.7	5.5	8.1	2.5	4.8	7.0	7.0	
	Energy Efficiency (CFM/Watt)	5.5	13.5	7.8	5.7	15.3	8.2	5.6	15.8	8.4	5.8	16.2	8.4	5.8	15.7	8.1	5.1	14.8	7.4	4.9	12.0	6.3	4.3	4.3	
	Speed (RPM)	1372	868	1160	1357	811	1127	1341	785	1118	1321	750	1082	1282	730	1066	1281	710	1062	1275	720	1067	1272	1272	
	Amps [Current]	0.18	0.08	0.12	0.16	0.06	0.10	0.14	0.06	0.10	0.13	0.05	0.08	0.11	0.04	0.07	0.10	0.04	0.07	0.09	0.04	0.06	0.06	0.08	
	MAX. Amps [Current]	0.19																							
	Power Rating [V/Hz]	120/60																							
	Motor Type	ECM																							
Type of Motor Bearing	Ball																								
Thermal Fuse Protection	Yes																								
Blower Wheel Type	Sirocco																								
ENERGY STAR Qualified	Yes																								
Duct Diameter [Inches]	4 & 6																								
Mounting Opening [Inches sq.]	10-1/2																								
Grille Size [Inches sq.]	13																								
Lamp Watts	10W																								
Lumens (lm)	700lm per lamp*																								
Lumens Per Watt (LPW)	70LPW*																								
Color Rendering Index	90																								
Color Temperature [Kelvin]	3,000K																								
Rated Life (hours)	50,000																								
Lamp Model #	N/A																								
Type of Lamp Socket	LED chip																								
Night Light Specs	Night Light Watts																								
Shipping	Gross Weight (lbs)																								
Approved Code/ Standard/ Regulation	UL tub/Shower Enclosure																								
	Washington VIAQ Code																								
	Wall installation																								
	California Title 24 Compliant																								
Mfg in ISO 9001 Certified Facility																									

Specifications	WhisperGreen [®] Select™ [Fan/LED Light]																											
	Base Fan with LED Light and Multi-speed Plug 'N Play Module																											
	FV-0511VKL2 + FV-V515VK1																											
Characteristics (HWI tested data for 0.1" S.P.)	Static Pressure in inches w.g.	0.1	0.25	0.375	0.1	0.25	0.375	0.1	0.25	0.375	0.1	0.25	0.375	0.1	0.25	0.375	0.1	0.25	0.375	0.1	0.25	0.375						
	Air Volume (CFM)	110	110	103	100	101	99	90	90	90	80	80	78	70	70	69	60	60	60	50	50	50	40	41	40	30	30	30
	Noise (sones)	0.4	0.8	-	<0.3	0.8	-	<0.3	0.6	-	<0.3	0.5	-	<0.3	0.5	-	<0.3	0.4	-	<0.3	0.4	-	<0.3	0.4	-	<0.3	0.4	-
	Power Consumption (watts)	10.5	15.8	19.4	8.2	13.6	18.0	6.7	11.6	15.9	5.3	9.9	13.8	4.6	8.7	12.3	3.7	7.2	10.4	3.2	6.2	9.9	2.7	5.5	8.1	2.5	4.8	7.0
	Energy Efficiency (CFM/Watt)	10.5	6.9	5.2	12.2	7.4	5.5	13.5	7.8	5.7	15.3	8.2	5.6	15.8	8.4	5.8	16.2	8.4	5.8	15.7	8.1	5.1	14.8	7.4	4.9	12.0	6.3	4.3
	Speed (RPM)	958	1203	1375	908	1194	1372	868	1160	1357	811	1127	1341	785	1118	1321	750	1082	1282	730	1066	1281	710	1062	1275	720	1067	1272
	Amps [Current]	0.11	0.16	0.19	0.09	0.14	0.18	0.08	0.12	0.16	0.06	0.10	0.14	0.06	0.10	0.13	0.05	0.08	0.11	0.04	0.07	0.10	0.04	0.07	0.09	0.04	0.06	0.08
	MAX. Amps [Current]	0.19																										
	Power Rating [V/Hz]	120/60																										
	Motor Type	DC																										
Type of Motor Bearing	Ball																											
Thermal Fuse Protection	Yes																											
Blower Wheel Type	Sirocco																											
ENERGY STAR Qualified	Yes																											
Duct Diameter [Inches]	4" or 6"																											
Mounting Opening [Inches sq.]	10-1/2"																											
Grille Size [Inches sq.]	13"																											
Lamp Watts	10.0																											
Lumens (lm)	700																											
Lumens Per Watt (LPW)	70																											
Color Rendering Index	90																											
Color Temperature [Kelvin]	3,000																											
Rated Life (hours)	50,000																											
Lamp Model #	N/A																											
Type of Lamp Socket	LED chip																											
Night Light Specs	Night Light Watts																											
Shipping	Gross Weight (lbs)																											
Approved Code/ Standard/ Regulation	UL tub/Shower Enclosure																											
	Washington VIAQ Code																											
	Wall installation																											
	California Title 24 Compliant																											
Mfg in ISO 9001 Certified Facility																												

*Industry research indicates static pressure in typical installations ranges from 0.20" to 0.375".



Panasonic Life Solutions Company of America
IAQ Division
Two Riverfront Plaza
Newark, NJ 07102
us.panasonic.com/ventfans

For Order Information
PHONE: 866-292-7299
FAX: 888-553-0723
ventfans@us.panasonic.com