

HIGH EFFICIENCY FILTERS

Air Quality

at its best





MERV 11

MODELS

DA-NC1625-A
DA-NC2020-A
DA-NC2025-A

WHOLE-HOUSE HIGH EFFICIENCY MEDIA AIR CLEANERS



* MERV: Minimum Efficiency Reporting Value.
Based on ASHRAE Standard 52.2.

Description

The Direct Air High Efficiency Media Air Cleaner has been designed to remove atmospheric and household dust, coal dust, insecticide dust, mites, pollen, mold spores, fungi, bacteria, pet dander, cooking smoke and grease, tobacco smoke particles, and more down to 0.3 micron (1/84,000 of an inch). Best solution for homes with allergy, asthma or respiratory sufferers, smokers, pets and mustiness. Helps protect and prolong the operating efficiency of the heating and cooling equipment.

Standard Features

- High Efficiency MERV* 11 Media Filter, rated at 492 feet/minute, removes airborne contaminants as small as 0.3 micron.
- Filter material is made of continuous hydrophobic polyolefin fibres that will not shred or absorb moisture. They are cellulose free and will not sustain mold growth.
- Unique filter design features a structured density gradient with an electret charge for higher initial and sustained efficiency over the life of the filter.
- Extra deep, 5-1/4 inch, 24 pleat filter, contains more media material than other filters on the market. More surface area means more collection area, longer filter life and lower static pressure.
- Perfect fit filter has an exact fit with the cabinet. Does not contain foam, sponge or fiberglass filler. Means all the air is passing through the filter and not through filler material, thereby maximizing the system's ability to clean the air.
- User-friendly, easy-to-change filter cartridge means no fussing with complicated combs or brackets.
- Filter lasts up to one year in standard applications. Reversible air flow. Mounts in any position.
- Easy to replace with a Direct Air High Efficiency Electronic Air Cleaner, which can remove harmful contaminants as small as 0.01 micron (1/2,540,000 of an inch).

Cabinet Construction Features

Heavy gauge galvanized steel cabinet resists corrosion and provides trouble-free vertical or horizontal installation. Holes are provided to facilitate mounting to the duct work or air handling system. Durable powder coat paint finish on door resists corrosion.

Media Replacement Filters

Replacement filters are packaged 3 per box. Replace 1 to 2 times per year depending on climate, home renovations, smoking in home, or number of pets.

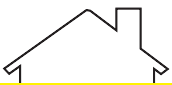
Models:

DA-NC1625-A replace with Part #M1-1056

DA-NC2020-A replace with Part #M2-1056

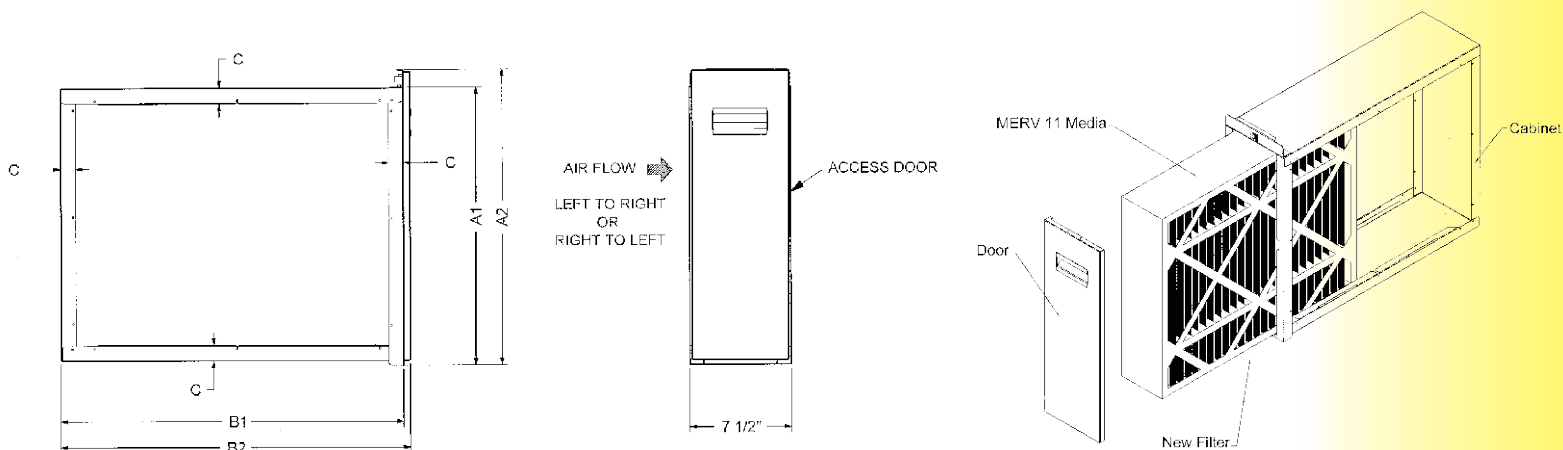
DA-NC2025-A replace with Part #M8-1056





SPECIFICATIONS

MODEL	DA-NC1625-A	DA-NC2020-A	DA-NC2025-A
House Size	3 000 ft ² 278.7 m ²	3 000 ft ² 278.7 m ²	3 000 ft ² 278.7 m ²
Air Flow	Up to 1 400 CFM Up to 2 379 m ³ /hr	Up to 1 400 CFM Up to 2 379 m ³ /hr	Up to 2 000 CFM Up to 3 398 m ³ /hr
Duct Size	16 x 25 in 40.6 x 63.5 cm	20 x 20 in 51 x 51 cm	20 x 25 in 51 x 63.5 cm
Intake Dimensions H x L	13.25 x 23.7 in 33.7 x 60.2 cm	18.1 x 18.75 in 46 x 47.6 cm	18.1 x 23.25 in 46 x 59.1 cm
Cabinet Dimensions W x H x L	7.5 x 17.4 x 26.5 in 19.1 x 44.2 x 67.3 cm	7.5 x 22.5 x 21.7 in 19.1 x 56.5 x 55.1 cm	7.5 x 22.5 x 26.1 in 19.1 x 56.5 x 66.3 cm
Weight	18 lbs 8.2 kg	19 lbs 8.6 kg	20 lbs 9.1 kg
Pressure Drop	.066 (in/wg) @ 246 fpm .217 (in/wg) @ 492 fpm	.062 (in/wg) @ 246 fpm .203 (in/wg) @ 492 fpm	.069 (in/wg) @ 246 fpm .207 (in/wg) @ 492 fpm
MERV Rating	11	11	11



DIMENSIONS in/cm

MODEL	A1	A2	B1	B2	C	D	E
DA-NC1625-A	16 40.6	17.4 44.2	26 66	26.5 67.3	1.2 3	23.7 60.2	13.25 33.7
DA-NC2020-A	20.75 52.7	22.25 56.5	21.2 53.8	21.7 55.1	1.2 3	18.75 47.6	18.1 46
DA-NC2025-A	20.75 52.7	22.25 56.5	25.6 65	26.1 66.3	1.2 3	23.25 59.1	18.1 46



HIGH
EFFICIENCY
MEDIA CLEANER
PLATFORMS
FOR GAS &
ELECTRIC
FURNACES
AND AIR
HANDLERS



PERFECT- PLATFORM

MODELS

DA-FB2832-M8
DA-FB2843-M8
DA-FB2232-M2
DA-FB2240-M8

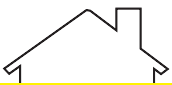
Description

The new Perfect-Platform Series Media Air Cleaners by DIRECT AIR offer the most well-built, sleek designed and easiest to use galvanized sheet metal filter housings on the market, for residential and light commercial use. Space saving design for vertical installations, keeps furnace off floor allowing a cleaner, more professional installation. Eliminates the possibility of dust, pet hair, insects, rodents, water or sewer backup from entering the furnace. Allows furnace to work at maximum efficiency and extends life of furnace by providing even air flow distribution across bottom. Especially ideal for High Efficiency Furnaces, where side returns require more installation time, and are inefficient compared to a bottom return. Allows filter to work at maximum efficiency by eliminating need for transitions, deflectors or turning vanes, thereby saving installation time and costs. Removes atmospheric and household dust, coal dust, insecticide dust, mites, pollen, mold spores, fungi, bacteria, viruses, pet dander, cooking smoke and grease, tobacco smoke particles, and more down to 0.3 micron (1/84,000 of an inch). Made to fit 1-3 ton or 3.5 ton and 5 ton electric air handlers or gas furnaces. Ideal for homes with allergy, asthma or respiratory sufferers, smokers, pets and mustiness. Helps protect and prolong the operating efficiency of the heating and cooling system.

Standard Features

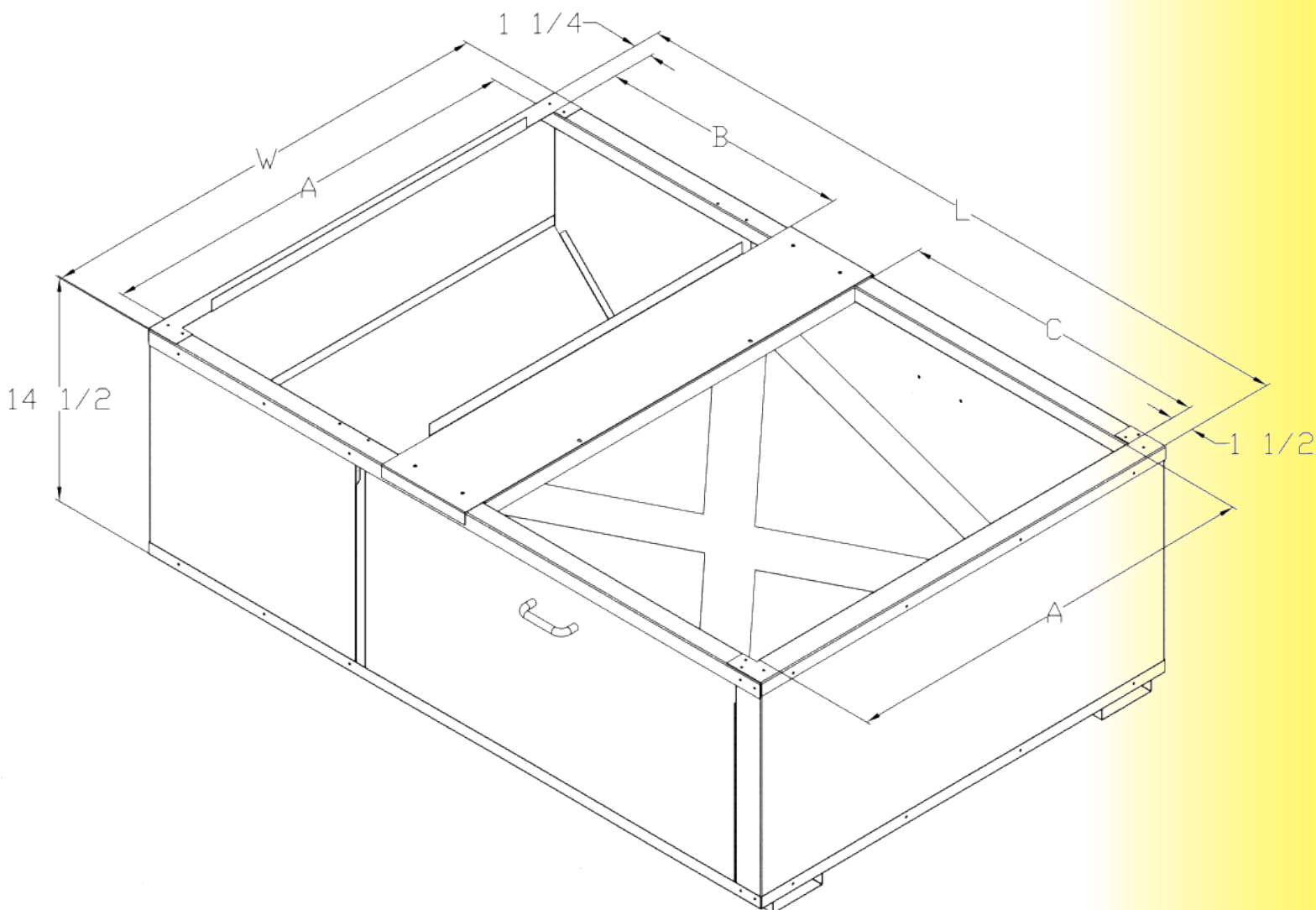
- High efficiency MERV 11 Media Filter is an extra deep, 5¼ inch filter which contains more media material than other filters on the market.
- More surface area means more collection area, longer filter life and lower static pressure. Filter lasts up to one year.
- Two, pull-out doors with handle allow filter access from either side.
- Adjustable inlet duct opening replaces need for field forming transition, significantly reducing installation time.
- Heavy 22 gauge galvanized sheet metal has been die cut for smooth edges, allowing for a smoother installation.
- Solid cabinet is riveted for sturdiness and long life. Individually boxed for convenient shipping and warehousing.





SPECIFICATIONS

MODEL	L	P	A	B	C	Weight (lbs)	Pressure Drop	Filter size	Replacement filter
DA-FB2832-M8	28½	32	26½	8	13½	35.25	0.069(in./wg)@ 246 fpm 0.069(in./wg)@ 246 fpm	20 x 25	M8-1056
DA-FB2843-M8	28½	43	26½	10 12	9 22½	41.7	0.069(in./wg)@ 246 fpm 0.207(in./wg)@ 492 fpm	20 x 25	M8-1056
DA-FB2232-M2	22½	32	20½	9½	14½	43.25	0.062(in./wg)@ 246 fpm 0.203(in./wg)@ 492 fpm	20 x 20	M2-1056
DA-FB2240-M8	22½	40	20½	12	20	53.0	0.069(in./wg)@ 246 fpm 0.207(in./wg)@ 492 fpm	20 x 25	M8-1056





MERV II

MODEL
DA-RAM2000

WHOLE-HOUSE RIGHT ANGLE MEDIA (RAM) AIR CLEANER



* MERV: Minimum Efficiency Reporting Value.
Based on ASHRAE Standard 52.2.

Description

The Direct Air High Efficiency Right Angle Media (RAM) Air Cleaner is a space-saving design for vertical installations. Removes atmospheric and household dust, coal dust, insecticide dust, mites, pollen, mold spores, fungi, bacteria, pet dander, cooking smoke and grease, tobacco smoke particles, and more down to 0.3 micron (1/84,000 of an inch). Space saving design for vertical installations, reduces installation space by 6-8 inches. Eliminates the need for a 90° duct adapter, as it works as a turning vane providing even distribution across the media filter. Helps protect and prolong the operating efficiency of the heating and cooling equipment.

Standard Features

- Adjustable inlet duct opening replaces need for field forming transition, significantly reducing installation time.
- Reversible air flow. Two access doors allow versatile installation and easy maintenance.
- High Efficiency MERV* 11 Media Filter, rated at 492 feet/minute, removes airborne contaminants down to 0.3 micron.
- Filter material is constructed of continuous hydrophobic polyolefin fibres that will not shred or absorb moisture. They are cellulose free and will not sustain mold growth.
- Unique filter design features a structured density gradient with an electret charge for higher initial and sustained efficiency over the life of the filter.
- Extra deep, 5 1/4 inch, 24 pleat filter, contains more media material than other filters on the market. More surface area means more collection area, longer filter life and lower static pressure.
- Perfect fit filter allows no air gaps, thereby maximizing the system's ability to clean the air.
- User-friendly, easy-to-change filter cartridge means no fussing with complicated combs or brackets.
- Filter will last up to one year in standard applications.

Cabinet Construction Features

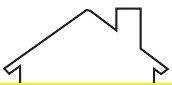
Heavy gauge galvanized steel cabinet resists corrosion and provides trouble-free vertical installation. Holes are provided to facilitate mounting to the duct work or air handling system. Durable powder coat paint finish on doors (2). Resists corrosion.

Media Replacement Filter

Replacement filters are packaged 3 per Box. Replace 1 to 2 times per year depending on climate, home renovations, smoking in home, or number of pets.

DA-RAM2000 replace with Part #M8-1056

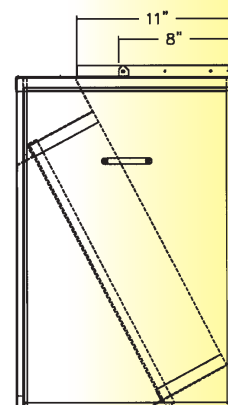
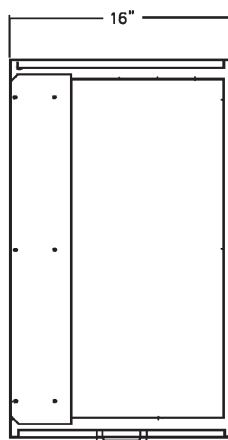
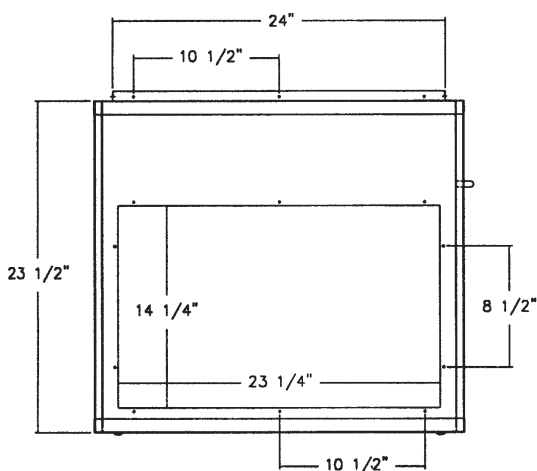
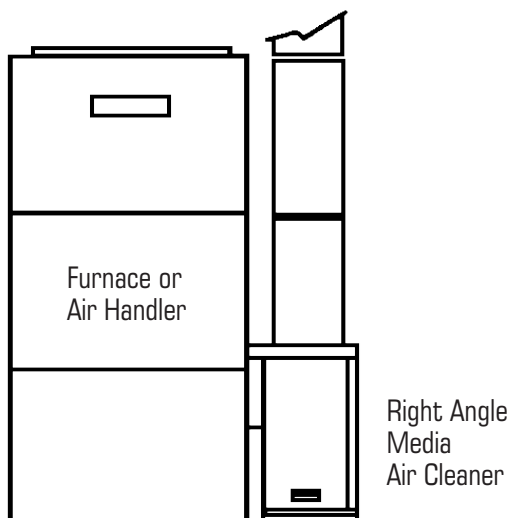




SPECIFICATIONS

MODEL	DA-RAM2000
Air Flow	Up to 2000 cfm / 3398 m ³ /hr
Dimensions (w x d x h)	16 x 26-3/4 x 23-1/2 in 40.6 x 67.9 x 59.7 cm
Adjustable Inlet (3 sizes)	8 x 24 po. / 10 x 24 in / 11 x 24 in 20.3 x 61 cm / 25.4 x 61 cm / 27.9 x 61 cm
Outlet (d x h)	23-1/4 x 14-1/4 in 59.1 x 36.2 cm
Unit Weight	34 lb 15.4 kg
Pressure Drop	.069 (in./wg) @ 246 fpm .207 (in./wg) @ 492 fpm
MERV Rating	11

TYPICAL INSTALLATION

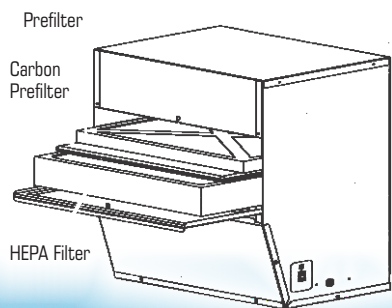




HEPA

MODELS
DA-HEPADM400-VS

WHOLE-HOUSE DUCT MOUNT HEPA AIR CLEANER



Description

The DIRECT AIR Whole House Duct Mount HEPA Air Cleaner has been designed to remove atmospheric and household dust, coal dust, insecticide dust, mites, pollen, mold spores, fungi, bacteria, viruses, pet dander, cooking smoke and grease, tobacco smoke particles, and more down to 0.3 micron (1/84,000 of an inch) with 99.97% efficiency on the first pass of air. It's ideal for homes that have tight space conditions in their furnace/air conditioning rooms. This unit is compact and can be installed directly on the return air vent. It can also be mounted directly to the furnace and collar mounted to the return air duct to save space. Ideal for homes with allergy, asthma or respiratory sufferers, smokers, pets, cooking odors and mustiness. Helps protect and prolong the operating efficiency of the heating and cooling equipment.

Standard Features

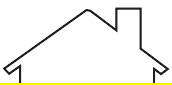
- Highly Efficient MERV 11 Prefilter removes lint and hair before they enter HEPA filter.
- Activated Carbon Prefilter removes odors to extend the life of the HEPA filter.
- Long-life, 99.97% HEPA Media Filter removes particles 0.3 micron (1/84,000 of an inch) and larger. The HEPA filter becomes more efficient as it becomes dirtier with time.
- Powerful variable speed European motor delivers up to 320 CFM of pure air, without adding static pressure to the HVAC system.
- Plug-in Power Cord provides convenient electrical connection.
- Versatile installation can be duct mounted, collar mounted or free-standing.

Cabinet Construction Features

One piece wrap, steel cabinet has powder-coat paint finish to provide rigid installation and durability. Pre-punched openings at back of unit and mounting template are provided for easier duct mount installation; no external ducting required. Pre-punched openings at top and bottom of unit facilitate collar mount installation.

Media Replacement Filters

PART NUMBER	DESCRIPTION	REPLACE EVERY
DMH4-0400	HEPA Media Filter	2-3 years
DMH4-0855	Prefilter, MERV 11	3-6 months
DMH4-0810	Carbon Prefilter	3-6 months



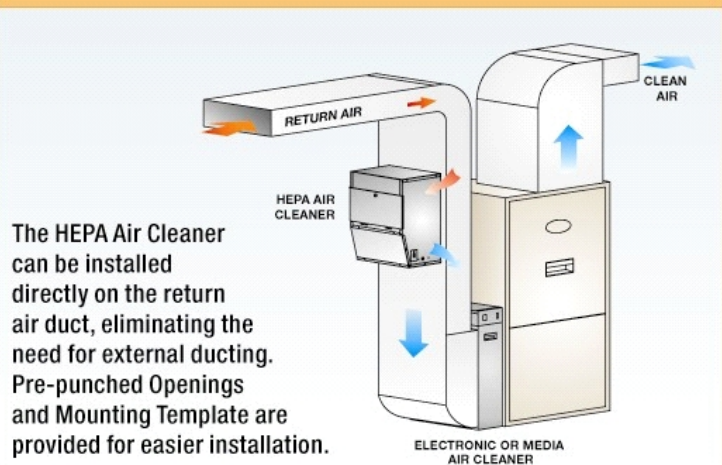
SPECIFICATIONS

MODEL

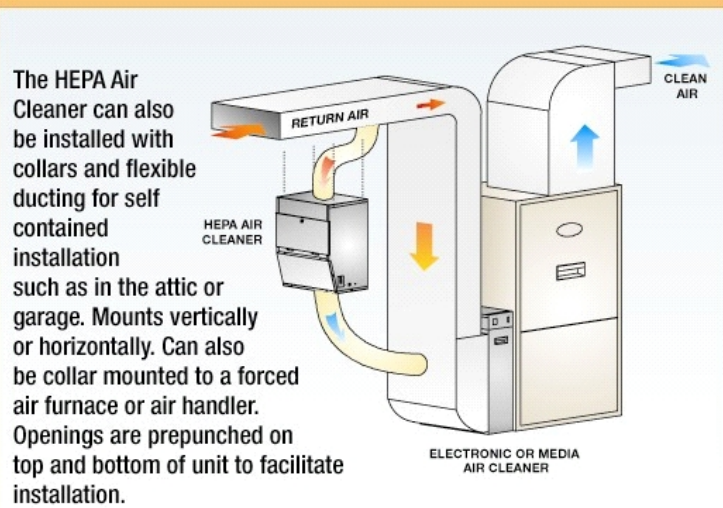
DA-HEPADM400-VS

Air Flow:	Up to 320 CFM/ 544 m ³ /h
Whole-House Air Changes Per Day: 1 500 sq ft home	39 Air Changes / Day
2 000 sq ft home	29 Air Changes / Day
Prefilter (MERV 11)	3.1 ft ² 0.29 m ²
Carbon Prefilter	1.33 ft ² 0.12 m ²
HEPA Media Filter	40 ft ² 3.7 m ²
Power	120 V / 60 Hz
Plug-in Power Cord	10.0 ft 3.05 m
Cabinet Dimensions WxDxH	16.25 x 12.75 x 20.13 in 41.3 x 32.4 x 51.1 cm
Intake Duct Fitting	14.5 x 3.75 po. ou 8 in (dia) 36.8 x 9.5 cm ou 20.3 cm (dia)
Outflow Duct Fitting	14.5 x 4.37 po. ou 8 in (dia) 36.8 x 11.1 cm or 20.3 cm (dia)
Unit Weight	38 lbs 17.2 kg

DUCT MOUNT INSTALLATION



COLLAR MOUNT INSTALLATION



HOW IT WORKS

Millions of airborne particulates and gases travel through the heating/cooling system 4-5 times every hour. The HEPA Air Cleaner connects to the return air duct and diverts 1/3 to 1/2 of this dirty air through a sealed 3-stage filtration system. A home can reach 39 or more whole-house air changes/day depending on the house size. And when a DIRECT AIR High Efficiency Electronic or Media Air Cleaner is added to the return air, the home can achieve 96 + whole -house air changes/day (with system fan on continuous).



HEPA UV Lamp

MODEL
DA-DM900UV-VO-VS

WHOLE-HOUSE DUCT MOUNT HEPA AIR CLEANER WITH ULTRAVIOLET LIGHT & PHOTO CATALYTIC FILTER



Description

The Quartz® by DIRECT AIR offers the ultimate in air filtration and sterilization. This patent-pending combination uses HEPA, UVC Germicidal Light (non ozone producing) and Photo Catalytic Oxidation. It removes and destroys allergens, lung damaging atmospheric dust, biological and chemical contaminants and odors, such as formaldehyde, toluene, benzene, cooking odors, tobacco smoke, bacteria, viruses, mold and lots more. Ideal for residential and light commercial applications where there are allergy, asthma or respiratory sufferers, new construction odors, smokers, pets, cooking odors, mold, water and sewer damage.

Standard Features

- Charcoal Prefilter protects the HEPA filter while removing lint, hair and larger particles.
- Long-life, 99.97% HEPA Media Filter removes particles 0.3 micron (1/84,000 of an inch) and larger such as atmospheric and household dust, coal dust, insecticide dust, mites, pollen, mold spores, fungi, bacteria, viruses, pet dander, cooking smoke and grease, tobacco smoke particles and more. The HEPA filter becomes more efficient as it becomes dirtier with time.
- Two UVC Germicidal Lights are enclosed in a Reflector which intensifies the UVC rays.
- Unique CinQuartz® Photo Catalytic Oxidation Filter (PCO) has a very high surface exchange capability and allows UV light into the mass of the material — means there is absorption throughout the whole CinQuartz filter instead of just on the surface. The combination of the UVC light and the CinQuartz® decomposes organic materials into basic molecules such as H₂O and CO₂.
- Charcoal/ Potassium Permanganate Final Filter for removal of Volatile Organic Compounds (VOC's) and light gases.
- Powerful energy efficient, variable speed European motor delivers up to 250 CFM of pure air, without adding static pressure to the HVAC system.
- Plug-in Power Cord provides convenient electrical connection.
- Versatile installation can be duct mounted, collar mounted or used as a stand alone unit. Stands available with or without wheels.

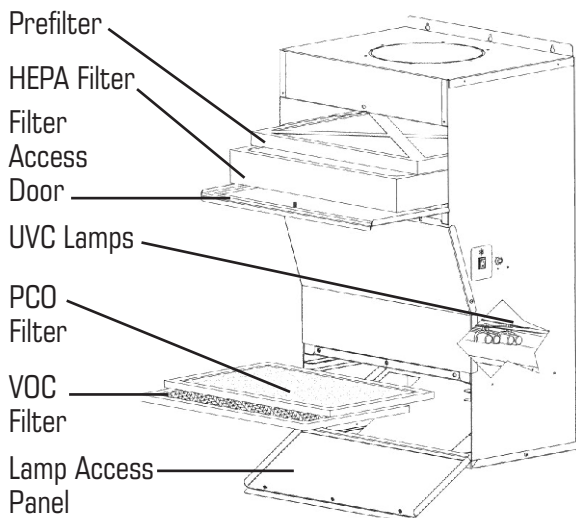
Cabinet Construction Features

One piece wrap, steel cabinet has powder-coat paint finish to provide rigid installation and durability. Pre-punched openings at back of unit and mounting template are provided for easier duct mount installation; no external ducting required. Pre-punched openings at top and bottom of unit facilitate collar mount installation

Media Replacement Filters

PART	DESCRIPTION
DM900-0855	Charcoal Prefilter
DMH4-0400	UV Lamp and gloves
DM900-0191	PCO Filter Photo Catalytic
DM900-0450	Oxidation
DM900-0810	Final Filter Charcoal/Potassium Permanganate

5 YEAR LIMITED WARRANTY



SPECIFICATIONS

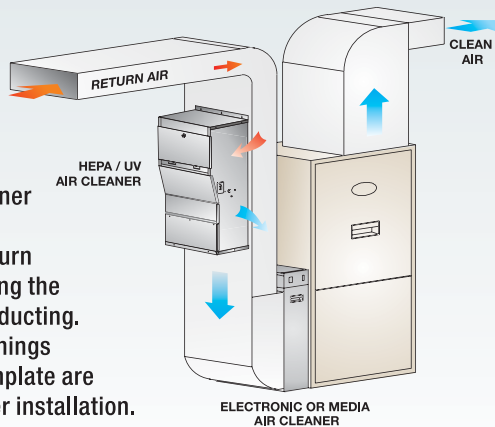
MODEL

DA-DM900UV-VO-VS

Air Flow: Variable Speed	Up to 250 CFM	Up to 425 m ³ /h
Charcoal Prefilter: DM900-0855 Removes lint and large particles	Replace every 3-6 months	
Long-Life, 99.97% HEPA Media: DMH4-0400 Removes pollutants 0.3 micron	40 ft ² Replace every 2-4 years	3.7 m ² Replace every 2-4 years
Germicidal UVC Light: DM900-0191 Strongest light intensity kills bacteria, viruses, mold, fungi, allergens	2 Bulbs Replace every 13,000 hours or 2-3 years	
CinQuartz® Substrate PCO Filter: DM900-0450 Removes Volatile Organic Compounds (VOC's)	Replace every 13,000 hours or 2-3 years	
Charcoal/ Potassium Permanganate Final Filter: DM900-0810 Removes VOC's and light gases	Replace every 1-2 years	
Complete 2-3 Year Maintenance Kit: DM900-1003 Contains 1 HEPA Filter, 4 Charcoal Prefilters, 2 UVC Lamps, 1 Photo Catalytic Oxidation (PCO) Filter, 2 Charcoal/ Potassium Permanganate Final Filters, gloves	Replace every 2-3 years	
Cabinet Dimensions: H x W x D	29 .5 x 16.25 x 12.75 in	74.9 x 41.3 x 32.4 cm
Intake Duct Fitting	14.5 x 3.75 po ou 8 in (dia)	36.8 x 9.5 cm or 20.3 cm (dia)
Outflow Duct Fitting	14.5 x 4.37 po ou 8 in (dia)	36.8 x 11.1 cm or 20.3 cm (dia)
Input Voltage	120 V 60 hz	
Power Consumption	200 watts	
Power Cord	10.0 ft	3.05 m
Unit Weight	47 lbs	21.3 kg

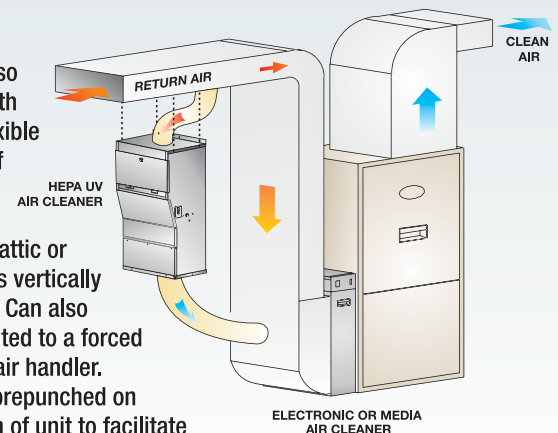
DUCT MOUNT INSTALLATION

The HEPA Air Cleaner can be installed directly on the return air duct, eliminating the need for external ducting. Pre-punched Openings and Mounting Template are provided for easier installation.



COLLAR MOUNT INSTALLATION

The HEPA Air Cleaner can also be installed with collars and flexible ducting for self contained installation such as in the attic or garage. Mounts vertically or horizontally. Can also be collar mounted to a forced air furnace or air handler. Openings are prepunched on top and bottom of unit to facilitate installation.



HOW IT WORKS

Millions of airborne pollutants are carried through the return air ducts of the heating/cooling system. The Air Purifier has been designed to be installed on the return air duct. A portion of this return air is bypassed through an opening on the back of the unit and passes through a 5-stage filtration system. The air passes through a pleated Charcoal Prefilter which removes lint and large particles to extend the life of the HEPA filter. Smaller particles then pass through a long-life, 99.97% HEPA (High Efficiency Particulate Air) Media Filter which captures particles 0.3 micron (1/84,000 of an inch) and larger. The clean air passes through a reflection chamber where two Ultraviolet Germicidal Lamps emit powerful UVC light rays which are designed to kill or inhibit bacteria, viruses, mold, fungus and microbial growth. These are non-ozone producing lamps. The Ultraviolet Lights are also used to activate the unique CinQuartz Media located below the UVC lamps. The Photo Catalytic Oxidation (PCO) Filter is a Quartz media coated with nanoparticles of Titanium Dioxide (TiO₂). The combined action of the UVC light and the TiO₂ decomposes organic materials into basic molecules such as H₂O and CO₂ and reduces odors and VOC's as a result. A Charcoal/ Potassium Permanganate Final Filter further reduces VOC's and light gases. Clean air is discharged back into the return air duct.



MERV 16

ELECTRONIC

MODELS

DA-SASD-11ASC
DA-SASD-12ASC
DA-SASD-18ASC

WHOLE-HOUSE HIGH EFFICIENCY ELECTRONIC AIR CLEANERS



EFFICIENCY

DIRECT AIR ELECTRONIC
AIR CLEANER

Description

The DIRECT AIR High Efficiency Electronic Air Cleaner has been designed to remove atmospheric and household dust, coal dust, insecticide dust, mites, pollen, mold spores, fungi, bacteria, viruses, pet dander, cooking smoke and grease, tobacco smoke particles, and more down to 0.01 micron (0.01 micron = 1/2,540,000 of an inch). Contains Environmentally-Friendly, Lifetime Filters that never need replacing. Simply wash clean. User-friendly. Easy to maintain. Ideal for homes with allergy, asthma or respiratory sufferers, smokers, pets, cooking odors, and mustiness. Helps protect and prolong the operating efficiency of the heating and cooling equipment.

Standard Features

- Prefilters (2) are constructed of aluminum mesh, to prevent lint and large particles from entering the collecting cells.
- Dual Voltage Collecting Cells (2) are constructed of heavy gauge aluminum for durability and ease of maintenance. Cell guides ensure proper placement of collecting cells in cabinet.
- Activated Charcoal Filters (3) help remove unpleasant odors.
- Solid State Power Board is manufactured on-site for high reliability and long life. Uniquely equipped with a variable resistor (potentiometer) to adjust high voltage output. Output has been preset for optimum efficiency, however, as voltage may vary in extreme conditions of dryness, humidity or proximity to hydro towers, raising or lowering potentiometer allows for proper voltage output.
- Electronic Air Proving Switch (AS) allows for quick wiring. Automatically cycles Air Cleaner on/off with the system fan.
- Lighted ON/OFF Switch (Orange) shows power to the Air Cleaner.
- Performance Indicator Light (Green LED) indicates high voltage to the collecting cells, ensuring air cleaner is operating properly at a glance.

Cabinet Construction Features

Heavy gauge galvanized steel cabinet resists corrosion and provides trouble free vertical or horizontal installation. Holes are provided to facilitate mounting to the duct work or air handling system. Durable powder coat paint finish on door and top lid resists corrosion. Power Box is removable. Contains the ON/OFF switch, performance indicator light, safety interlock switch, high voltage power board and the air proving switch.

Accessories

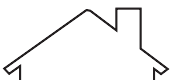
DAX Air Cleaner Detergent simplifies the washing process by quickly and safely removing contaminants from filters. 32 oz. (1 L) Spray Bottle, Part #9900 Activated Charcoal Filters (3 per pack). Replace every 3- 4 months.

Models:

DA-SASD-11
DA-SASD-12, DA-SASD-18

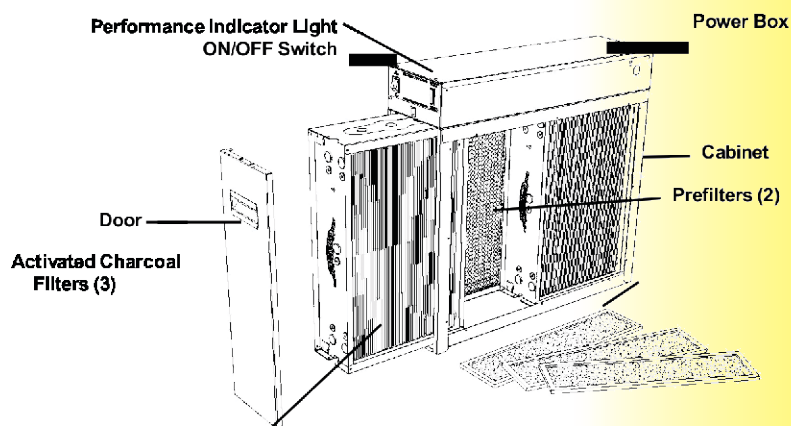
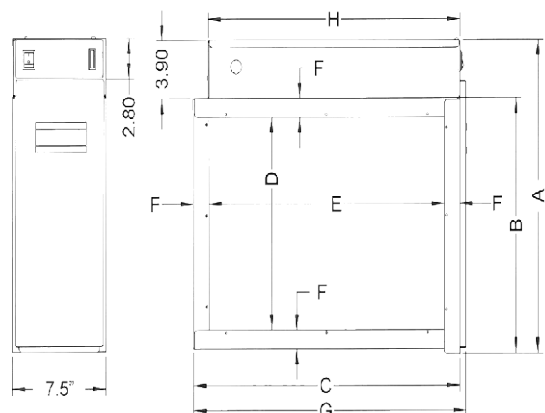
Part # 1156-3
Part # 1856-3





SPECIFICATIONS

MODEL	DA-SASD-11ASC	DA-SASD-12ASC	DA-SASD-18ASC
House Size Area	< 3 000 ft ² < 278.70 m ²	< 3 000 ft ² < 278.70 m ²	< 3 000 ft ² < 278.70 m ²
Airflow	up to 1 400 CFM up to 2 380 m ³ /hr	up to 1 400 CFM up to 2 380 m ³ /hr	up to 2 000 CFM up to 3 400 m ³ /hr
Duct Size	16 x 25 in 40.5 x 63.5 cm	20 x 20 in 51.0 x 51.0 cm	20 x 25 in 51.0 x 63.5 cm
Unit Weight	37 lbs 16.8 kg	37 lbs 16.8 kg	41 lbs 18.6 kg
Input Voltage	120 V 60 Hz	120 V 60 Hz	120 V 60 Hz
Power Consumption	30 Watts	30 Watts	30 Watts
Upgrades Included	Charcoal Filters Air Switch	Charcoal Filters Air Switch	Charcoal Filters Air Switch



DIMENSIONS in/cm

MODEL	A	B	C	D	E	F	G	H
DA-SASD-11ASC	19.8 (50.4)	15.9 (40.5)	26.1 (66.3)	13.6 (34.6)	24.1 (61.2)	1.0 (2.5)	26.6 (67.7)	25.8 (65.4)
DA-SASD-12ASC	24.7 (62.8)	20.8 (52.9)	21.2 (53.9)	18.0 (45.7)	18.7 (47.5)	1.3 (3.2)	21.7 (55.2)	21.2 (53.9)
DA-SASD-18ASC	24.7 (62.8)	20.8 (52.9)	25.8 (65.4)	18.0 (45.7)	23.3 (59.1)	1.3 (3.2)	26.3 (66.8)	25.8 (65.4)



directairhvac.com

Air Quality

at its best

163-07-12

Retailer