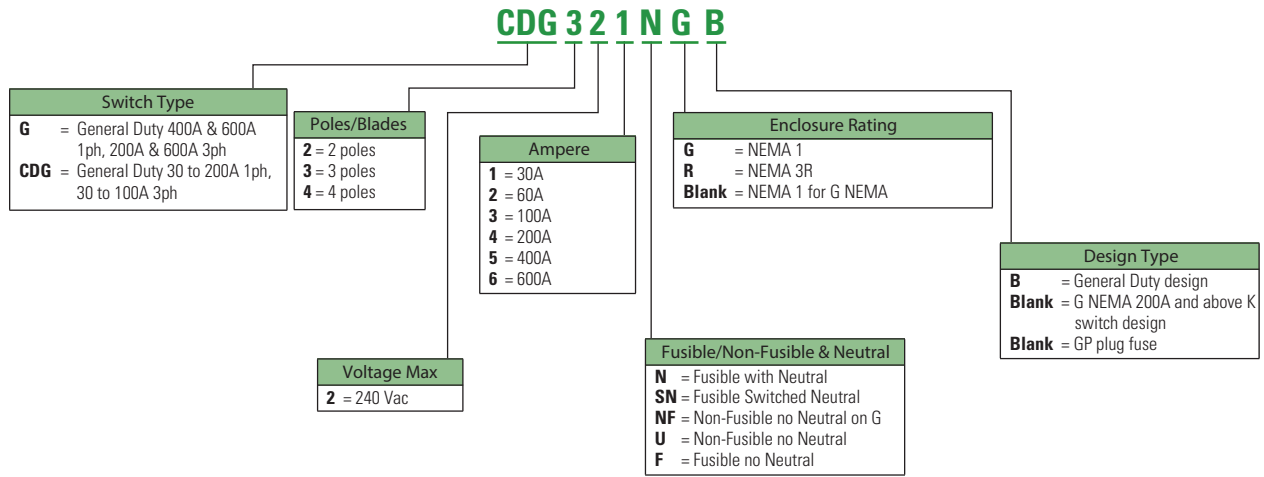


Switching Devices

Safety Switches

Catalog Numbering System

General Duty



Note:

This table is intended for use in breaking down existing catalogue numbers. It is not intended for building new catalogue numbers. For more detailed catalogue part numbers, see Product Selection Guide

CDG321NRB

120/240 Vac General Duty, Fusible, Single-Throw, continued



System	Ampere Rating	Fuse Type Provision	Maximum Horsepower Ratings ^①			DC 250V	NEMA 1 Enclosure Indoor Catalogue Number	NEMA 3R Enclosure Rainproof Catalogue Number
			Single-Phase AC 120V	Single-Phase AC 240V	Three-Phase AC 240V			
Cartridge Type— Three-Wire (Two Blades, Two Fuses, S/N) — 120/240 Vac								
	30	H	—	1-1/2-3	3-7-1/2	—	CDG221NGB	CDG221NRB
	60	H	—	3-10	7-1/2-15	—	CDG222NGB	CDG222NRB
	100	H	—	7-1/2-15	15-30	—	CDG223NGB	CDG223NRB
	200	H	—	15	25-60	—	CDG224NGK	CDG224NRK
	400	H	—	—	50-125	50	G225N	3G225N
	600	H	—	—	75-200	—	G226N	3G226N
Cartridge Type— Four-Wire (Three Blades, Three Fuses, S/N) — 120/240 Vac								
	30	H	—	1-1/2-3	3-7-1/2	—	CDG321NGB	CDG321NRB
	60	H	—	3-10	7-1/2-15	—	CDG322NGB	CDG322NRB
	100	H	—	7-1/2-15	15-30	—	CDG323NGB	CDG323NRB
	200	H	—	15	25-60	—	G324N	3G324N
	400	H	—	—	50-125	—	G325N	3G325N
	600	H	—	—	75-200	—	G326N	3G326N

CDG322URB

120/240 Vac General Duty, Non-Fusible, Single-Throw



System	Ampere Rating	Maximum Horsepower Ratings ^①			DC 250V	NEMA 1 Enclosure Indoor Catalogue Number	NEMA 3R Enclosure Rainproof Catalogue Number
		Single-Phase AC 120V	Single-Phase AC 240V	Three-Phase AC 240V			
Two-Pole, Two-Wire (Two Blades) — 240 Vac							
	30	2	3	—	—	CDG221UGB ^②	CDG221URB ^②
	60	3	10	—	—	CDG222UGB ^②	CDG222URB ^②
	100	—	15	—	—	— ^②	— ^②
	200	—	—	—	—	— ^②	— ^②
Three-Pole, Three-Wire (Three Blades) — 240 Vac							
	30	2	3	7-1/2	—	CDG321UGB	CDG321URB
	60	3	10	15	—	CDG322UGB	CDG322URB
	100	—	15	30	—	CDG323UGB	CDG323URB
	200	—	15	60	—	G324NF	3G324NF
	400	—	—	125	—	G325NF	3G325NF
	600	—	—	200	—	G326NF	3G326NF

^① Maximum hp ratings apply only when dual element time delay fuses are used.

^② Use three-wire catalogue numbers below.

Note:

All general duty safety switches are individually packaged.

Accessories are limited in scope on general duty safety switches. See **Page 4 and 5** for selection. Clear line shields are available as an accessory on 200–600A general duty switches.

For “J” fusing on General Duty 30-200A use Heavy Duty switch no modification available.

For “J” fusing on General Duty 400-600A, field modification required.

400A, reposition loadside fuse block to accept ‘J’ fuse.

600A, fuse kit adapter for ‘J’ fusing included with switch. For adaptation to “R” and “T” fusing see accessory page 4.