



2012

**Performance Friction
US Aftermarket / Motorsports
Catalog**

Effective May 1, 2012

Performance Friction Corp.
83 Carbon Metallic Hwy, Clover, SC 29710 USA
www.performancefriction.com

Tel: 800-521-8874
Fax: 803-222-8134



Brake Pad Line

All Performance Friction Carbon Metallic® Brake Pads use the following Multi-Layer Technology™:

- Exclusive Multi-Layer Technology™ isolates, dampens, and eliminates noise.
- Vehicle specific formulation for exceptional stopping power over a longer performance life.
- Patented Ionic Fusion™ friction bonding technology for the strongest bond to the backing plate.
- Statistically controlled quality steel plates ensure proper fit with every pad.
- Patented Powder Coating prevents corrosion and extends caliper life.
- NO Asbestos, NO Lead, NO Cadmium, NO Chromium, NO Potassium Titanate, NO Fillers - Environmentally Friendly.
- Meets or EXCEEDS OE and FMVSS Safety Standards.

Carbon Metallic® *It's Quieter, Stops Quicker, and Lasts Longer.™*

State of the art brake technology that outperforms "ceramic" and traditional semi-metallic pads in all categories verified by independent lab results. The secret is... At Performance Friction® we don't just copy OE, we make it better. Denoted with an ending part number of **.20** example: **0786.20**

Z RATED® Carbon Metallic® *The Latest in Carbon Metallic® Technology*

Truck and Fleet specific Carbon Metallic® Z Rated® formulation offers upgraded durability, increased longevity, and quieter operation for fleet, towing, and medium duty applications. Lower cost per mile.

Sportscar- From the track to the street, our sportscar specific Carbon Metallic® Z Rated® formulation offers more stopping power and increased fade resistance for the high performance driver that demands the most from their BMW, Porsche, Mustang, Corvette or Import. Denoted with an ending part number of **.10** example: **0786.10**

Semi-Metallic (limited availability) A quality, integrally molded semi-metallic brake pad for select light and medium duty applications. Delivers PFC quality at a value line price. Denoted with an ending part number of **.30** example: **0225.30**



Brake Rotor Line

All Performance Friction Discs adhere to the following specifications:

- High Carbon Alloy with copper and molybdenum for high temperature strength and durability.
- Vanes turned OD and ID for balance to reduce thermal warping and vibration.
- Thickness variation less than .0003 inches and Run out less than .001 inches reduces Pulsation and Vibration.
- 47 or more vanes for superior thermal capacity.
- Aircraft quality heat treatment for micro structure alignment and durability.
- Surface finish less than .7 microns.
- 100% measured and inspected to meet strict tolerance specifications.

One-Piece (smooth surface) The highest quality direct replacement discs on the market, our one-piece discs are exceptionally popular with fleet and police vehicles for unrivaled durability, thermal stability, and Lowest Cost Per Mile.

Two-Piece Direct Drive™ and V2 (smooth or dimpled surface) With Performance Friction's two-piece floating Direct Drive™ or V2 Disc, the disc flange floats in the bobbin structure allowing radial and axial expansion of the disc without being constrained by the hub or hat. Eliminates Vibration and Pulsation, Reuseable hat/hub assembly, Reduces drag for increased fuel mileage and reduced pad wear. Lowest Cost Per Mile.



Pad Part Numbering System

WWW.XX

FMSI /
Pad
Shape

Compound

Status Key

P = Current Production Part.
 SO = Special Order. Limited stock may exist.
 DS = Deplete Stock.
 Limited stock may exist.
 Prices subject to change without notice.

BRAKE PADS MAKE/MODEL GUIDE				
Make / Model	Year	Front / Rear	Qualifier	PFC Part #
ACURA				
CL	01-03	Front Brake Pad		0787.20
CL	01-03	Rear Brake Pad		0537.20
CL 2.2 , 2.3	97-99	Front Brake Pad		0465.20
CL 2.2 , 2.3	97-99	Rear Brake Pad		0537.20
CL 3.0	97-99	Front Brake Pad		0503.20
CL 3.0	97-99	Rear Brake Pad		0537.20
ILX	13	Rear Brake Pad		0537.20
Integra	97-01	Front Brake Pad	Type R only	0503.20
Integra	97-01	Rear Brake Pad	Type R only	0537.20
Integra	94-01	Front Brake Pad		0617.20
Integra	90-93	Front Brake Pad		0409.20
Integra	86-89	Front Brake Pad		0334.20
Legend	91-95	Front Brake Pad		0503.20
Legend	91-95	Rear Brake Pad		0537.20
Legend Coupe	87-90	Front Brake Pad		0409.20
Legend Coupe	87-90	Rear Brake Pad		0537.20
Legend Sedan	89-90	Front Brake Pad		0409.20
Legend Sedan	89-90	Rear Brake Pad		0537.20
Legend Sedan	86-88	Front Brake Pad		0409.20
MDX	03-06	Front Brake Pad		0691.20
NSX	91-05	Front Brake Pad		0503.20
RDX	07-12	Rear Brake Pad		0537.20
RL	99-04	Front Brake Pad		0787.20
RL	99-04	Rear Brake Pad		0537.20
RL 3.5	96-98	Front Brake Pad		0503.20
RL 3.5	96-98	Rear Brake Pad		0537.20
RSX	02-05	Front Brake Pad	Exc. Type S	0621.20
RSX	02-05	Rear Brake Pad	Exc. Type S	0537.20
RSX	02-05	Rear Brake Pad	Type S	0537.20
SLX	96-99	Front Brake Pad		0579.20
TL	99-08	Front Brake Pad		0787.20
TL	99-08	Rear Brake Pad		0537.20
TL	04-05	Front Brake Pad	w/ Brembo Front Calipers	1001.11
TL	04-05	Rear Brake Pad	w/ Brembo Front Calipers	0537.20
TL	95-08	Rear Brake Pad	Type S	0537.20
TL 2.5	95-98	Front Brake Pad		0503.20
TL 2.5	95-98	Rear Brake Pad		0537.20
TL 3.2	96-98	Front Brake Pad		0503.20
TL 3.2	96-98	Rear Brake Pad		0537.20
TSX	04-09	Front Brake Pad		0787.20
TSX	04-09	Rear Brake Pad		0537.20
Vigor	92-94	Front Brake Pad		0503.20
Vigor	92-94	Rear Brake Pad		0537.20
ALFA ROMEO				
Alfetta	75-80	Front Brake Pad	2.0 GTV, Sprint Veloce, Sedan	0045.20
GT Jr: Giulia	66-79	Front Brake Pad		0031.20
GT V-6 Coupe	81-86	Front Brake Pad	2.5 Ltr	0045.20
GT Veloce	67-77	Front Brake Pad		0031.20
Milano Sedan	86-89	Front Brake Pad	2.5 Ltr	0045.20
Montreal	70-75	Front Brake Pad		0045.20
Spider	72-90	Front Brake Pad	2.0 US models	0045.20
Spider	83-90	Front Brake Pad	european models only	0031.20
Spider	61-79	Front Brake Pad	1.3, 1.6	0031.20
AMERICAN LaFRANCE Fire/Rescue Vehicles				
FL50 & FL60	00-01	Front Brake Pad	w/ Bosch 66mm piston caliper*	0786.10 or 0786.20
FL50 & FL60	00-01	Rear Brake Pad	w/ Bosch 73mm piston caliper*	0786.11 or 0786.21
FL50 & FL60	00-01	Front Brake Pad	w/ Bosch 66mm piston caliper*	0786.10 or 0786.20
FL50 & FL60	00-01	Rear Brake Pad	w/ Bosch 73mm piston caliper*	0786.11 or 0786.21
FL50 & FL60	00-01	Front Brake Pad	w/ Bosch 73mm piston caliper*	0786.11 or 0786.21
Light Utility Vehicle	00-01	Front Brake Pad	Dodge Durango chassis	0820.20
Medic Master Type I	00-01	Front Brake Pad	w/ Bosch 73mm piston caliper*	0786.11 or 0786.21
Medic Master Type I	00-01	Rear Brake Pad	w/ Bosch 66mm piston caliper*	0786.10 or 0786.20
Medic Master Type III	00-01	Front Brake Pad	Medium duty: Ford E350SD chassis	0655.10 or .20



Status Key

P = Current Production Part.
 SO = Special Order. Limited stock may exist.
 DS = Deplete Stock.
 Limited stock may exist.
 Prices subject to change without notice.

Pad Part Numbering System

WWW.XX

FMSI /
Pad
Shape

Compound

BRAKE PADS MAKE/MODEL GUIDE				
Make / Model	Year	Front / Rear	Qualifier	PFC Part #
Medic Master Type III	00-01	Front Brake Pad	Medium duty: Ford E450SD chassis	0655.10 or .20



Pad Part Numbering System

WWW.XX

FMSI /
Pad
Shape

Compound

Status Key

P = Current Production Part.
 SO = Special Order. Limited stock may exist.
 DS = Deplete Stock.
 Limited stock may exist.
 Prices subject to change without notice.

BRAKE PADS MAKE/MODEL GUIDE				
Make / Model	Year	Front / Rear	Qualifier	PFC Part #
Medic Master Type III	00-01	Rear Brake Pad	Medium duty: Ford E450SD chassis	0411.10 or .20
Medic Master Type III	00-01	Front Rotor	Two Piece Hub and Rotor assembly V2	329.201.75
Medic Master Type III	00-01	Front Rotor	Replacement rotor and hardware for above V2	329.30.0043.75
Medic Master Type III	00-01	Front Rotor	Two Piece Hub and Rotor assembly V2	329.201.75
Medic Master Type III	00-01	Front Rotor	Replacement rotor and hardware for above V2	329.30.0043.75
Rescue Master	00-01	Front Brake Pad	Light duty: Dodge Ram3500 truck chassis	0821.20
Rescue Master	00-01	Front Brake Pad	w/ Bosch 66mm piston caliper*	0786.10 or 0786.20
Rescue Master	00-01	Rear Brake Pad	w/ Bosch 66mm piston caliper*	0786.10 or 0786.20
Rescue Master	00-01	Front Brake Pad	w/ Bosch 73mm piston caliper*	0786.11 or 0786.21
Rescue Master	00-01	Rear Brake Pad	w/ Bosch 73mm piston caliper*	0786.11 or 0786.21
Samaritan Series	00-01	Front Brake Pad	Light duty: Ford F350 chassis	0756.20
Samaritan Series	00-01	Rear Brake Pad	Light duty: Ford F350 chassis	0777.10 or 0777.20
Samaritan Series	00-01	Front Brake Pad	Light duty: Ford F450 chassis	0756.20
Samaritan Series	00-01	Rear Brake Pad	Light duty: Ford F450 chassis	0777.10 or 0777.20
*To determine proper part: 0786.10/.20=66mm caliper, 0786.11/.21=73mm caliper 0786.10/.20 is 0.80" thick, 0786.11/.21 is 1.055" thick				
AMERICAN MOTORS				
Ambassador	1974	Front Brake Pad	w/ Bendix calipers	0050.20
Concord	82-83	Front Brake Pad		0203.20
Eagle	82-88	Front Brake Pad		0203.20
Gremlin	75-76	Front Brake Pad	w/ Bendix calipers	0050.20
Hornet	75-76	Front Brake Pad	w/ Bendix calipers	0050.20
Matador	74-78	Front Brake Pad		0050.20
Pacer	75-76	Front Brake Pad		0203.20
Spirit	82-83	Front Brake Pad		0203.20
SX4	82-83	Front Brake Pad		0203.20
AM GENERAL/HUMMER				
Hummer	93-98	Front Brake Pad	models with vented rotors only	0203.20
Hummer	93-98	Rear Brake Pad	models with vented rotors only	0203.20
For models after 1998 see HUMMER				
AUDI				
A4	96-99	Front Brake Pad	Avant	0687.10
A4	96-98	Front Brake Pad	Quattro w/ 1.8L Engine	0687.10
A6	95-00	Front Brake Pad		0687.10
A6	95-99	Front Brake Pad	Quattro w/ 1.8L Engine	0687.10
A8	97-99	Front Brake Pad		0687.10
A8	97-99	Front Brake Pad	Quattro w/ 1.8L Engine	0687.10
S6	95	Front Brake Pad		0687.10
TT	99-06	Front Brake Pad	1.8L Engine	0687.10
TT	99-06	Front Brake Pad	Quattro w/ 1.8L Engine	0687.10
AVANTI				
Avanti II	1979 on	Front Brake Pad	with Delco system	0154.20
BITTER				
Coupe	80-83	Front Brake Pad	3.0 liter	0045.20
Coupe	80-83	Rear Brake Pad	3.0 liter	0031.20
BLUE BIRD				
American	99-02	Front Brake Pad	w/ Bosch 66mm piston caliper*	0786.10 or 0786.20
American	99-02	Rear Brake Pad	w/ Bosch 66mm piston caliper*	0786.10 or 0786.20
American	99-02	Front Brake Pad	w/ Bosch 73mm piston caliper*	0786.11 or 0786.21
American	99-02	Rear Brake Pad	w/ Bosch 73mm piston caliper*	0786.11 or 0786.21
American	79-97	Front Brake Pad	w/Bendix 3.36 w/o wear sensors	0184.10 or 0184.20
American	79-97	Rear Brake Pad	w/Bendix 3.36 w/o wear sensors	0184.10 or 0184.20
American	79-97	Front Brake Pad	w/Bendix 2.88	0225.10 or 0225.20
American	79-97	Rear Brake Pad	w/Bendix 2.88	0225.10 or 0225.20
Commercial Bus	99-02	Front Brake Pad	w/ Bosch 73mm piston caliper*	0786.11 or 0786.21
Commercial Bus	99-02	Rear Brake Pad	w/ Bosch 73mm piston caliper*	0786.11 or 0786.21
Commercial Bus	to 98	Front Brake Pad	w/Bendix 3.36 w/o wear sensors	0184.10 or 0184.20
Commercial Bus	to 98	Rear Brake Pad	w/Bendix 3.36 w/o wear sensors	0184.10 or 0184.20
Commercial Bus	to 98	Front Brake Pad	w/Bendix 2.88	0225.10 or 0225.20
Commercial Bus	to 98	Rear Brake Pad	w/Bendix 2.88	0225.10 or 0225.20
CV200	99-02	Front Brake Pad	w/ Bosch 66mm piston caliper*	0786.10 or 0786.20
CV200	99-02	Rear Brake Pad	w/ Bosch 66mm piston caliper*	0786.10 or 0786.20
CV200	99-02	Front Brake Pad	w/ Bosch 73mm piston caliper*	0786.11 or 0786.21
CV200	99-02	Rear Brake Pad	w/ Bosch 73mm piston caliper*	0786.11 or 0786.21



Pad Part Numbering System

WWW.XX

FMSI /
Pad
Shape

Compound

Status Key

P = Current Production Part.
 SO = Special Order. Limited stock may exist.
 DS = Deplete Stock.
 Limited stock may exist.
 Prices subject to change without notice.

BRAKE PADS MAKE/MODEL GUIDE

Make / Model	Year	Front / Rear	Qualifier	PFC Part #
Micro Bird Type A	95-06	Front Brake Pad	Ford E250/E350 Econoline Chassis	0655.20
Micro Bird Type A	95-06	Rear Brake Pad	Ford E250/E350 Econoline Chassis	0802.20
Micro Bird Type A	92-94	Front Brake Pad	Ford Chassis	0557.20
Micro Bird Type A	81-91	Front Brake Pad	Ford Chassis	0450.20
Micro Bird Type A	03-06	Front Brake Pad	GM 2500 Express and Savana w/7300lb gvw	0784.20
Micro Bird Type A	03-06	Rear Brake Pad	GM 2500 Express and Savana w/7300lb gvw	0974.20
Micro Bird Type A	03-06	Front Brake Pad	GM 2500 Express / Savana w/8500-8600lb gvw	0785.20
Micro Bird Type A	03-06	Rear Brake Pad	GM 2500 Express / Savana w/8500-8600lb gvw	0974.20
Micro Bird Type A	99-02	Front Brake Pad	GM 2500 Express and Savana Diesel	0459.20
Micro Bird Type A	99-02	Front Brake Pad	gww 6 stud whl	0369.20
Micro Bird Type A	99-02	Front Brake Pad	gww 8 stud whl	0370.20
Micro Bird Type A	03-06	Front Brake Pad	GM 3500 Express and Savana w/ DRW	0784.20
Micro Bird Type A	03-06	Rear Brake Pad	GM 3500 Express and Savana w/ DRW	0989.20
Micro Bird Type A	03-06	Front Brake Pad	GM 3500 Express and Savana w/ SRW	0784.20
Micro Bird Type A	03-06	Rear Brake Pad	GM 3500 Express and Savana w/ SRW	0974.20
Micro Bird Type A	02	Front Brake Pad	GM 3500 Express and Savana	0459.20
Micro Bird Type A	99-01	Front Brake Pad	GM 3500 Express and Savana w/SRW	0370.20
Micro Bird Type A	99-01	Front Brake Pad	GM 3500 Express and Savana w/DRW	0459.20
TC1000	99-02	Front Brake Pad	w/ Bosch 66mm piston caliper*	0786.10 or 0786.20
TC1000	99-02	Rear Brake Pad	w/ Bosch 66mm piston caliper*	0786.10 or 0786.20
TC1000	99-02	Front Brake Pad	w/ Bosch 73mm piston caliper*	0786.11 or 0786.21
TC1000	99-02	Rear Brake Pad	w/ Bosch 73mm piston caliper*	0786.11 or 0786.21
TC1000	97-98	Front Brake Pad	w/Bendix 3.36 w/o wear sensors	0184.10 or 0184.20
TC1000	97-98	Rear Brake Pad	w/Bendix 3.36 w/o wear sensors	0184.10 or 0184.20
TC1000	97-98	Front Brake Pad	w/Bendix 2.88	0225.10 or 0225.20
TC1000	97-98	Rear Brake Pad	w/Bendix 2.88	0225.10 or 0225.20
TC2000	99-04	Front Brake Pad	w/ Bosch 66mm piston caliper*	0786.10 or 0786.20
TC2000	99-04	Rear Brake Pad	w/ Bosch 66mm piston caliper*	0786.10 or 0786.20
TC2000	99-04	Front Brake Pad	w/ Bosch 73mm piston caliper*	0786.11 or 0786.21
TC2000	99-04	Rear Brake Pad	w/ Bosch 73mm piston caliper*	0786.11 or 0786.21
TC2000	89-97	Front Brake Pad	w/Bendix 2.88	0225.10 or 0225.20
TC2000	89-97	Rear Brake Pad	w/Bendix 2.88	0225.10 or 0225.20
*To determine proper part: 0786.10=66mm caliper / 0786.11=73mm caliper 0786.10 or 20 is 0.80" thick, 0786.11 or 0786.21 is 1.055" thick				
Type C Vision	01-11	Front Brake Pad	w/ wear sensor	0769.10
Type C Vision	01-11	Rear Brake Pad	w/ wear sensor	0769.10
Type C Vision	01-11	Front Brake Pad	w/o wear sensor	1032.10
Type C Vision	01-11	Rear Brake Pad	w/o wear sensor	1032.10
Type D All American	03-11	Front Brake Pad	w/ wear sensor	0769.10
Type D All American	03-11	Rear Brake Pad	w/ wear sensor	0769.10
Type D All American	03-11	Front Brake Pad	w/o wear sensor	1032.10
Type D All American	03-11	Rear Brake Pad	w/o wear sensor	1032.10
Type D All American	01-11	Front Rotor	10 Hole, Height 3.45"	390.086.20*
Type D All American	01-11	Rear Rotor	10 Hole, Height 7.60"	390.193.20**
Type D All American	01-11	Front Rotor	10 Hole, Height 3.45"	390.086.20*
Type D All American	01-11	Rear Rotor	10 Hole, Height 7.60"	390.193.20**
Type D All American	01-02	Front Brake Pad	from 11/05/01 w/ wear sensor	0769.10
Type D All American	01-02	Rear Brake Pad	from 11/05/01 w/ wear sensor	0769.10
Type D All American	01-02	Front Brake Pad	from 11/05/01 w/o wear sensor	1032.10
Type D All American	01-02	Rear Brake Pad	from 11/05/01 w/o wear sensor	1032.10
Type D All American	98-02	Front Brake Pad	to 11/04/01 w/ Bosch 73mm caliper	0786.11 or 0786.21
Type D All American	98-02	Rear Brake Pad	to 11/04/01 w/ Bosch 73mm caliper	0786.11 or 0786.21
Type D All American	89-00	Front Brake Pad	w/ Bendix 2.88" Caliper inc Tranist	0225.10 or 0225.20
Type D All American	89-00	Rear Brake Pad	w/ Bendix 2.88" Caliper inc Tranist	0225.10 or 0225.20
* BlueBird PN 0044646 ** Blue Bird PN 0044647				
BMW				
1600	63-68	Front Brake Pad	thru chassis # 1.567.863	0031.20
1800	63-68	Front Brake Pad		0031.20
2000	64-67	Front Brake Pad		0045.20
2002	67	Front Brake Pad		0031.20
3-SERIES				
318	95-99	Front Brake Pad	Ti	0558.11 or .0558.20



Pad Part Numbering System

WWW.XX

FMSI /
Pad
Shape

Compound

Status Key

P = Current Production Part.
 SO = Special Order. Limited stock may exist.
 DS = Deplete Stock.
 Limited stock may exist.
 Prices subject to change without notice.

BRAKE PADS MAKE/MODEL GUIDE				
Make / Model	Year	Front / Rear	Qualifier	PFC Part #
318	95-99	Rear Brake Pad	Ti	0396.11 or 0396.20
318	92-99	Front Brake Pad	incl. 318i and iS	0558.11 or .0558.20
318	92-99	Rear Brake Pad	incl. 318i and iS	0396.11 or 0396.20
318	83-92	Front Brake Pad		0278.20
323	98-00	Front Brake Pad		0558.11 or .0558.20
323	98-00	Rear Brake Pad		0396.11 or 0396.20
325i	93-02	Front Brake Pad		0558.11 or .0558.20
325i	93-02	Rear Brake Pad		0396.11 or 0396.20
325i	00-01	Front Brake Pad		0558.11 or .0558.20
325i	00-01	Rear Brake Pad		0396.11 or 0396.20
325	92-97	Front Brake Pad		0558.11 or .0558.20
325	92-97	Rear Brake Pad		0396.11 or 0396.20
325iS	92-95	Front Brake Pad		0558.11 or .0558.20
325iS	92-95	Rear Brake Pad		0396.11 or 0396.20
325e	84-86	Front Brake Pad	E30	0278.20
328	97-00	Front Brake Pad		0558.11 or .0558.20
328	97-00	Rear Brake Pad		0396.11 or 0396.20
330ci	06	Rear Brake Pad		0548.11
330ci	01-05	Rear Brake Pad		0548.11
330xi	01-05	Rear Brake Pad		0548.11
335d	09-11	Front Brake Pad		0918.10
335i	07-13	Front Brake Pad	inc. xDrive	0918.10
335is	11-13	Front Brake Pad		0918.10
335xi	08	Front Brake Pad		0918.10
5-SERIES				
525	04-07	Front Brake Pad	xi & i	0548.11
525	89-95	Front Brake Pad		0394.11 or 0394.20
525	89-95	Rear Brake Pad		0396.11 or 0396.20
525i	05-06	Front Brake Pad		0918.10
525i	04	Front Brake Pad		0918.10
528	97-98	Rear Brake Pad	E39	0396.11 or 0396.20
528	82-88	Front Brake Pad	E28	0395.11 or 0395.20
528i	08-10	Front Brake Pad		0918.10
528i	08-10	Rear Brake Pad	inc xDrive	0548.11
528i xDrive	09-10	Front Brake Pad		0918.10
528xi	08	Front Brake Pad		0918.10
530	94-95	Front Brake Pad		0394.11 or 0394.20
530	94-95	Rear Brake Pad		0396.11 or 0396.20
530i	04-07	Front Brake Pad		0918.10
530xi	06-07	Front Brake Pad		0918.10
533	83-84	Front Brake Pad		0395.11 or 0395.20
535i	08-10	Front Brake Pad		0918.10
535i	08-10	Front Brake Pad		0919.10
535i GT	10-13	Rear Brake Pad	inc xDrive	0919.10
535i xDrive	09-10	Front Brake Pad		0918.10
535i xDrive	09-10	Rear Brake Pad		0548.11
535xi	08	Front Brake Pad		0918.10
535xi	08	Rear Brake Pad		0548.11
535	88.5-93	Front Brake Pad		0394.11 or 0394.20
535	88.5-93	Rear Brake Pad		0396.11 or 0396.20
535	85-88.5	Front Brake Pad		0395.11 or 0395.20
540	94-95	Front Brake Pad	except w/sport package	0394.11 or 0394.20
540	94-95	Rear Brake Pad	except w/sport package	0396.11 or 0396.20
545i	04-05	Front Brake Pad		0918.10
545i	04-05	Rear Brake Pad		0919.10
550i	06-10	Front Brake Pad		0918.10
550i	06-10	Rear Brake Pad		0919.10
550i GT	10-13	Rear Brake Pad	inc xDrive	0919.10
6-SERIES				
633	83-84	Front Brake Pad		0395.11 or 0395.20
635	85-89	Front Brake Pad		0395.11 or 0395.20
645Ci	04-05	Front Brake Pad		0918.10
645Ci	04-05	Rear Brake Pad		0919.10
650i	06-10	Front Brake Pad		0918.10



Pad Part Numbering System

WWW.XX

FMSI /
Pad
Shape

Compound

Status Key

P = Current Production Part.
 SO = Special Order. Limited stock may exist.
 DS = Deplete Stock.
 Limited stock may exist.
 Prices subject to change without notice.

BRAKE PADS MAKE/MODEL GUIDE				
Make / Model	Year	Front / Rear	Qualifier	PFC Part #
650i	06-10	Rear Brake Pad		0919.10
7-SERIES				
735	87-92	Front Brake Pad		0394.11 or 0394.20
735	87-92	Rear Brake Pad		0396.11 or 0396.20
740	93-94	Front Brake Pad		0394.11 or 0394.20
740	93-94	Rear Brake Pad		0396.11 or 0396.20
740i	11-12	Rear Brake Pad		0919.10
740i, iL	94-01	Rear Brake Pad		0548.11
740Li	11-13	Rear Brake Pad		0919.10
745i, Li	02-05	Front Brake Pad		0918.10
745i, Li	02-05	Rear Brake Pad		0919.10
750	89-94	Front Brake Pad		0394.11 or 0394.20
750	89-94	Rear Brake Pad		0396.11 or 0396.20
750i	09-12	Rear Brake Pad		0919.10
750i	06-08	Front Brake Pad		0918.10
750i	06-08	Rear Brake Pad		0919.10
750iL	95-01	Rear Brake Pad		0548.11
750i xDrive	10-12	Rear Brake Pad		0919.10
750Li	09-13	Rear Brake Pad		0919.10
750Li	06-08	Front Brake Pad		0918.10
750Li	06-08	Rear Brake Pad		0919.10
750Li xDrive	10-12	Rear Brake Pad		0919.10
760i	04-06	Front Brake Pad		0918.10
760i	04-06	Rear Brake Pad		0919.10
760Li	10-12	Rear Brake Pad		0919.10
760Li	03-08	Front Brake Pad		0918.10
760Li	03-08	Rear Brake Pad		0919.10
8-SERIES				
840Ci	94-97	Rear Brake Pad		0548.11
850i	90-97	Rear Brake Pad		0548.11
850Ci	90-97	Rear Brake Pad		0548.11
850CSi	94-95	Rear Brake Pad		0548.11
Alpina				
B7	08-12	Rear Brake Pad		0919.10
M1				
M1	11	Front Brake Pad		0918.10
M1	11	Rear Brake Pad		0919.10
M3				
E30 M3	88-91	Front Brake Pad		0395.11 or 0395.20
E30 M3	88-91	Rear Brake Pad		0396.11 or 0396.20
E36 M3	95-00	Front Brake Pad	E36	0394.11 or 0394.20
E36 M3	95-00	Rear Brake Pad	E36	0396.11 or 0396.20
E46 M3	01-05	Front Brake Pad	E46	0394.11 or 0394.20
E46 M3	01-05	Rear Brake Pad	E46	rotor 7855.11 w/ PFC
E46 M3	04	Front Brake Pad	CSL	0394.11 or 0394.20
M5				
M5	00-01	Front Brake Pad		0394.11 or 0394.20
M5	00-01	Rear Brake Pad		0396.11 or 0396.20
M5	91-93	Front Brake Pad		0394.11 or 0394.20
M5	91-93	Rear Brake Pad		0396.11 or 0396.20
M COUPE / ROADSTER				
M Coupe	99-00	Front Brake Pad	3.2 engine	0394.11 or 0394.20
M Coupe	99-00	Rear Brake Pad	3.2 engine	0396.11 or 0396.20
M Roadster	99-02	Front Brake Pad	3.2 engine	0394.11 or 0394.20
M Roadster	99-02	Rear Brake Pad	3.2 engine	0396.11 or 0396.20
X-SERIES				
X3	00-09	Rear Brake Pad		0548.11
X5	00-13	Rear Brake Pad	inc. 3.0si, xDrive 35i; excludes xDrive50i	0548.11
X6	10-13	Rear Brake Pad	inc. 3.0si, xDrive 35i; excludes xDrive50i	0548.11
Z-SERIES				
Z3	96-02	Front Brake Pad	1.9 ,2.5 , 2.8 and 3.0 engine	0558.11 or .0558.20
Z3	96-02	Rear Brake Pad	1.9 ,2.5 , 2.8 and 3.0 engine	0396.11 or 0396.20
Z3	98	Front Brake Pad	M Version	0394.11 or 0394.20



Pad Part Numbering System

WWW.XX

FMSI /
Pad
Shape

Compound

Status Key

P = Current Production Part.
 SO = Special Order. Limited stock may exist.
 DS = Deplete Stock.
 Limited stock may exist.
 Prices subject to change without notice.

BRAKE PADS MAKE/MODEL GUIDE				
Make / Model	Year	Front / Rear	Qualifier	PFC Part #
Z3	98	Rear Brake Pad	M Version	0396.11 or 0396.20
Z4	06-07	Rear Brake Pad	M Version	0548.11
Z4	03-05	Front Brake Pad		0558.11 or .0558.20
Z4	03-05	Rear Brake Pad		0396.11 or 0396.20
Z4	06-07	Front Brake Pad	Roadster 3.0i	0558.11 or .0558.20
Z4	04-05	Front Brake Pad	Roadster	0558.11 or .0558.20
Z8	00-03	Rear Brake Pad		0548.11
BUICK				
Allure	08	Front Brake Pad	optional	1159.20
Apollo	73-75	Front Brake Pad		0052.20
Centurion	71-73	Front Brake Pad		0052.20
Century	97-05	Front Brake Pad		0699.20
Century	97-05	Rear Brake Pad		0814.20
Century	90-96	Front Brake Pad		0215.20
Century	85-89	Front Brake Pad	HD brake (10.41" rotor) cpe, sedan, wag	0215.20
Century	85-89	Front Brake Pad	Std brake (9.86" rotor) cpe, sedan	0289.20
Century	84	Front Brake Pad	Station Wagen only	0215.20
Century	83-84	Front Brake Pad	HD brake (10.41" rotor)	0215.20
Century	82-89	Front Brake Pad	Std brake (9.86" rotor)	0289.20
Century	78-81	Front Brake Pad		0154.20
Century	73-77	Front Brake Pad		0052.20
Electra	85-90	Front Brake Pad	FWD	0215.20
Electra	81-90	Front Brake Pad	Wagon RWD	0052.20
Electra	70-85	Front Brake Pad	Sedans RWD	0052.20
Electra	1979	Front Brake Pad		0052.20
Electra	1979	Rear Brake Pad		0154.20
Electra	77-78	Front Brake Pad		0052.20
Electra	77-78	Rear Brake Pad		0052.20
Enclave	08-12	Front Brake Pad		1169.20
Enclave	11-12	Rear Brake Pad		1507.20
Enclave	08-10	Rear Brake Pad		0883.20
Estate Wagon	70-90	Front Brake Pad	RWD	0052.20
LaCrosse	08-09	Front Brake Pad	Super model	1159.20
LaCrosse	08-09	Rear Brake Pad	Super model	0814.20
LeSabre	05	Front Brake Pad	w/16" wheels	1076.20
LeSabre	00-05	Front Brake Pad	w/15" wheels	0699.20
LeSabre	00-05	Rear Brake Pad	w/15" wheels	0508.20
LeSabre	94-99	Front Brake Pad		0623.20
LeSabre	92-93	Front Brake Pad		0505.20
LeSabre	86-91	Front Brake Pad	FWD	0215.20
LeSabre	86-90	Front Brake Pad	Wagon RWD	0052.20
LeSabre	70-85	Front Brake Pad	RWD	0052.20
LeSabre	70-85	Rear Brake Pad	RWD	0052.20
Lucerne	06-08	Front Brake Pad		1159.20
Park Avenue	97-05	Front Brake Pad		0699.20
Park Avenue	97-05	Rear Brake Pad		0508.20
Park Avenue	94-96	Front Brake Pad		0623.20
Park Avenue	91-93	Front Brake Pad		0505.20
Ranier	06-07	Front Brake Pad		1169.20
Ranier	06-07	Rear Brake Pad	inc Sport	0883.20
Ranier	04-05	Front Brake Pad		0882.20
Ranier	04-05	Rear Brake Pad		0883.20
Regal	97-04	Front Brake Pad		0699.20
Regal	97-04	Rear Brake Pad		0814.20
Regal	94-96	Front Brake Pad		0376.20
Regal	94-96	Rear Brake Pad		0508.20
Regal	88-93	Front Brake Pad		0376.20
Regal	88-93	Rear Brake Pad		0377.20
Regal	78-87	Front Brake Pad	inc. Grand National	0154.20
Regal	73-77	Front Brake Pad		0052.20
Rendezvous	02-07	Front Brake Pad		0844.20
Rendezvous	02-07	Rear Brake Pad		0814.20
Riviera	97-00	Front Brake Pad		0699.20
Riviera	97-00	Rear Brake Pad		0508.20



Pad Part Numbering System

WWW.XX

FMSI /
Pad
Shape

Compound

Status Key

P = Current Production Part.
 SO = Special Order. Limited stock may exist.
 DS = Deplete Stock.
 Limited stock may exist.
 Prices subject to change without notice.

BRAKE PADS MAKE/MODEL GUIDE				
Make / Model	Year	Front / Rear	Qualifier	PFC Part #
Riviera	95-96	Front Brake Pad		0623.20
Riviera	95-96	Rear Brake Pad		0508.20
Riviera	92-93	Front Brake Pad		0505.20
Riviera	92-93	Rear Brake Pad		0508.20
Riviera	79-85	Front Brake Pad		0154.20
Riviera	79-85	Rear Brake Pad		0154.20
Riviera	67-78	Front Brake Pad		0052.20
Riviera	67-78	Rear Brake Pad		0052.20
Roadmaster	91-96	Front Brake Pad		0052.20
Skyhawk	82-89	Front Brake Pad		0289.20
Skylark	91-98	Front Brake Pad		0506.20
Skylark	90	Front Brake Pad	w/ performance package	0506.20
Skylark	80-90	Front Brake Pad	FWD	0289.20
Skylark	69-79	Front Brake Pad	RWD	0052.20
Somerset	85-90	Front Brake Pad	FWD	0289.20
Special	69-71	Front Brake Pad	inc. GS and Sportwagon	0052.20
CADILLAC				
Allante	93	Front Brake Pad		0505.20
Allante	93	Rear Brake Pad		0508.20
Cimmaron	82-88	Front Brake Pad		0289.20
Commercial Limousine	97-00	Front Brake Pad		0369.20
Commercial Limousine	90-93	Front Brake Pad	RWD	0369.20
Commercial	68-89	Front Brake Pad	RWD	0052.20
Concours	98-99	Front Brake Pad		0699.20
Concours	98-99	Rear Brake Pad		0508.20
Concours	97-99	Front Brake Pad	w/ HD Brakes	0369.20
Concours	97-99	Rear Brake Pad	w/ HD Brakes	0508.20
Concours	95-96	Front Brake Pad		0623.20
Concours	95-96	Rear Brake Pad		0508.20
CTS	08-13	Rear Brake Pad		1337.10
CTS-V	09-13	Rear Brake Pad		1053.10
CTS-V	04-07	Front Brake Pad		1001.11
CTS-V	04-07	Rear Brake Pad		1053.10
DeVille	00-05	Front Brake Pad	w/ HD Brakes	0784.20
DeVille	00-05	Rear Brake Pad	w/ HD Brakes	0792.20
DeVille Concours	97-05	Front Brake Pad	w/ Standard Brakes	0699.20
DeVille Concours	97-05	Rear Brake Pad	w/ Standard Brakes	0508.20
DeVille Limousine	00-05	Front Brake Pad	Commercial Chassis	0784.20
DeVille Limousine	00-05	Rear Brake Pad	Commercial Chassis	0792.20
DeVille Limousine	97-00	Front Brake Pad	Commercial Chassis	0369.20
DeVille / Fleetwood	94-96	Front Brake Pad	FWD	0623.20
DeVille / Fleetwood	94-96	Rear Brake Pad	FWD	0508.20
DeVille / Fleetwood	91-93	Front Brake Pad	FWD	0505.20
DeVille / Fleetwood	85-90	Front Brake Pad	FWD	0215.20
DeVille / Fleetwood	79	Front Brake Pad	RWD	0052.20
DeVille / Fleetwood	79	Rear Brake Pad	RWD	0154.20
DeVille / Fleetwood	77-78	Front Brake Pad	RWD	0052.20
DeVille / Fleetwood	77-78	Rear Brake Pad	RWD	0052.20
DeVille / Fleetwood	68-76	Front Brake Pad	RWD	0052.20
DTS	06-11	Front Brake Pad	Heavy Duty	0784.20
DTS	06-11	Rear Brake Pad	Heavy Duty	0792.20
DTS	06-11	Front Brake Pad		1159.20
El Dorado	97-02	Front Brake Pad		0699.20
El Dorado	97-02	Rear Brake Pad		0508.20
El Dorado	94-96	Front Brake Pad		0623.20
El Dorado	94-96	Rear Brake Pad		0508.20
El Dorado	92-93	Front Brake Pad		0505.20
El Dorado	92-93	Rear Brake Pad		0508.20
El Dorado	79-85	Front Brake Pad		0154.20
El Dorado	79-85	Rear Brake Pad		0154.20
El Dorado	67-78	Front Brake Pad		0052.20
El Dorado	67-78	Rear Brake Pad		0052.20
Escalade	08-13	Front Brake Pad		1363.20
Escalade	07-13	Rear Brake Pad		1194.20



Pad Part Numbering System

WWW.XX

FMSI /
Pad
Shape

Compound

Status Key

P = Current Production Part.
 SO = Special Order. Limited stock may exist.
 DS = Deplete Stock.
 Limited stock may exist.
 Prices subject to change without notice.

BRAKE PADS MAKE/MODEL GUIDE				
Make / Model	Year	Front / Rear	Qualifier	PFC Part #
Escalade	07	Front Brake Pad		1092.10
Escalade	03-06	Front Brake Pad	4WD	0785.20
Escalade	03-06	Front Brake Pad	RWD	0785.20
Escalade	03-06	Rear Brake Pad	RWD	0974.20
Escalade	02	Front Brake Pad		0785.20
Escalade	02	Rear Brake Pad		0834.20
Escalade	99-00	Front Brake Pad		0369.20
EXT	04-06	Front Brake Pad		0785.20
EXT	04-06	Rear Brake Pad		0974.20
EXT	02-03	Front Brake Pad		0785.20
EXT	02-03	Rear Brake Pad		0834.20
Seville	97-04	Front Brake Pad		0699.20
Seville	97-04	Rear Brake Pad		0508.20
Seville	94-96	Front Brake Pad		0623.20
Seville	94-96	Rear Brake Pad		0508.20
Seville	92-93	Front Brake Pad		0505.20
Seville	92-93	Rear Brake Pad		0508.20
Seville	80-85	Front Brake Pad		0154.20
Seville	80-85	Rear Brake Pad		0154.20
Seville	76-79	Front Brake Pad		0052.20
Seville	76-79	Rear Brake Pad		0052.20
SRX	10-12	Rear Brake Pad		1337.10
STS	05-11	Front Brake Pad	Heavy Duty, inc STS-V	1001.11
STS	05-11	Rear Brake Pad	Heavy Duty, inc STS-V	1053.10
XLR	04-08	Front Brake Pad		0731.20
XLR	04-08	Rear Brake Pad		0732.20
CHECKER				
Marathon	71-82	Front Brake Pad		0052.20
CHEVROLET - CAR				
Beretta	91-96	Front Brake Pad		0506.20
Beretta	87-91	Front Brake Pad		0289.20
Camaro	10-13	Rear Brake Pad	ZL1	1053.10
Camaro	10-13	Front Brake Pad	3.6 L eng	1404.20
Camaro	10-13	Rear Brake Pad	3.6 L eng	1337.10
Camaro	10-12	Front Brake Pad	6.2L eng	1001.11
Camaro	10-13	Rear Brake Pad	6.2L eng	1053.10
Camaro	98-02	Front Brake Pad		0749.20
Camaro	94-97	Front Brake Pad		0623.20
Camaro	94-97	Rear Brake Pad		0413.20
Camaro	93	Front Brake Pad		0505.20
Camaro	93	Rear Brake Pad		0413.20
Camaro	89-92	Front Brake Pad	w/1LE option (2 piston caliper)	0412.20
Camaro	89-92	Rear Brake Pad	w/1LE option (2 piston caliper)	0413.20
Camaro	82-92	Front Brake Pad	single piston	0154.20
Camaro	82-92	Rear Brake Pad	single piston	0154.20
Camaro	69-81	Front Brake Pad	single piston	0052.20
Camaro	67-70	Front Brake Pad	Z28 w 4 piston caliper	0008.20
Camaro	67-70	Rear Brake Pad	Z28 w 4 piston caliper	0008.20
Caprice	11-12	Front Brake Pad	Police	1404.20
Caprice	11-12	Rear Brake Pad	Police	1352.20
Caprice	94-96	Front Brake Pad	passenger LTZ, SS (w/JA9, JL9 rotor/rotor)	0614.21
Caprice	94-96	Rear Brake Pad	passenger LTZ, SS (w/JA9, JL9 rotor/rotor)	0628.20
Caprice	94-96	Front Brake Pad	taxi HD brake (w/JB9 rotor/rotor)	0614.20
Caprice	94-96	Rear Brake Pad	taxi HD brake (w/JB9 rotor/rotor)	0628.20
Caprice	94-96	Front Brake Pad	police car (w/9C1 spec.)	0614.21
Caprice	94-96	Rear Brake Pad	police car (w/9C1 spec.)	0628.20
Caprice	93	Front Brake Pad	police car	0614.20
Caprice	67-96	Front Brake Pad	w/ 9.5" Rear Drums	0052.20
Cavalier	92-05	Front Brake Pad		0506.20
Cavalier	82-91	Front Brake Pad		0289.20
Celebrity	90	Front Brake Pad		0215.20
Celebrity	85-89	Front Brake Pad	HD brake (10.41" rotor) cpe, sedan, wag	0215.20
Celebrity	85-89	Front Brake Pad	Std brake (9.86" rotor) cpe, sedan	0289.20
Celebrity	84	Front Brake Pad	Station Wagon only	0215.20



Pad Part Numbering System

WWW.XX

FMSI /
Pad
Shape

Compound

Status Key

P = Current Production Part.
 SO = Special Order. Limited stock may exist.
 DS = Deplete Stock.
 Limited stock may exist.
 Prices subject to change without notice.

BRAKE PADS MAKE/MODEL GUIDE				
Make / Model	Year	Front / Rear	Qualifier	PFC Part #
Celebrity	83-84	Front Brake Pad	HD brake (10.41" rotor)	0215.20
Celebrity	82-89	Front Brake Pad	Std brake (9.86" rotor)	0289.20
Citation	80-85	Front Brake Pad		0289.20
Classic	04-05	Rear Brake Pad		0727.20
Corsica	92-96	Front Brake Pad		0506.20
Corsica	87-91	Rear Brake Pad		0289.20
Corvette C6	05-13	Front Brake Pad	inc Heavy Duty, except Z06 & ZR1	0731.20
Corvette C6	05-13	Rear Brake Pad	inc Heavy Duty, except Z06 & ZR1	0732.20
Corvette C5	97-06	Front Brake Pad	including ZO6	0731.20
Corvette C5	97-06	Rear Brake Pad	including ZO6	0732.20
Corvette C4	88-96	Front Brake Pad	inc ZR1	0412.20
Corvette C4	88-96	Rear Brake Pad	inc ZR1	0413.20
Corvette C3	65-83	Front Brake Pad		0008.20
Corvette C3	65-83	Rear Brake Pad		0008.20
El Camino	78-87	Front Brake Pad		0154.20
El Camino	72-77	Front Brake Pad		0052.20
Impala	06-12	Front Brake Pad	inc Police	1159.20
Impala	06-10	Rear Brake Pad	inc Police	0814.20
Impala	05	Front Brake Pad	Base and LS Models	1076.20
Impala	05	Rear Brake Pad	Base and LS Models	0814.20
Impala	05	Front Brake Pad	SS model	0699.20
Impala	05	Rear Brake Pad	SS model	0814.20
Impala	99-05	Front Brake Pad		0699.20
Impala	99-05	Rear Brake Pad		0814.20
Impala	94-96	Front Brake Pad	SS only	0614.20
Impala	94-96	Rear Brake Pad	SS only	0628.20
Impala, Belair	67-96	Front Brake Pad		0052.20
Lumina	95-01	Front Brake Pad		0376.20
Lumina	95-01	Rear Brake Pad		0508.20
Lumina	90-94	Front Brake Pad		0376.20
Lumina	90-94	Rear Brake Pad		0377.20
Malibu	97-04	Front Brake Pad	w/ rear drum	0727.20
Malibu	78-88	Front Brake Pad		0154.20
Malibu, Chevelle, Laguna	69-77	Front Brake Pad		0052.20
Monte Carlo	06-08	Front Brake Pad	inc police	1159.20
Monte Carlo	06-08	Rear Brake Pad	inc police	0814.20
Monte Carlo	00-06	Front Brake Pad	SS inc Police	0699.20
Monte Carlo	00-06	Rear Brake Pad	SS inc Police	0814.20
Monte Carlo	05	Front Brake Pad	LS	1076.20
Monte Carlo	05	Rear Brake Pad	LS	0814.20
Monte Carlo	95-99	Front Brake Pad		0376.20
Monte Carlo	95-99	Rear Brake Pad		0508.20
Monte Carlo	78-88	Front Brake Pad		0154.20
Monte Carlo	69-77	Front Brake Pad		0052.20
Nova	85-88	Front Brake Pad		0242.20
Nova, Chevy II	69-79	Front Brake Pad		0052.20
Prizm	98-02	Front Brake Pad	late year 98	0741.20
Prizm	98	Front Brake Pad	to early 1998	0562.20
CHEVROLET - MINI VAN				
Lumina APV Van	94-96	Front Brake Pad		0623.20
Lumina APV Van	92-93	Front Brake Pad		0505.20
Lumina APV Van	90-91	Front Brake Pad		0215.20
Venture	02-05	Front Brake Pad	AWD	0844.20
Venture	02-05	Rear Brake Pad	AWD	0814.20
Venture	01-05	Front Brake Pad	FWD	0699.20
Venture	01-05	Rear Brake Pad	FWD	0814.20
Venture	97-00	Front Brake Pad		0699.20
Venture	97-00	Rear Brake Pad		0814.20
CHEVROLET - VAN				
Astro Van	03-05	Front Brake Pad	2 and 4 WD	0785.20
Astro Van	03-05	Rear Brake Pad	2 and 4 WD	0792.20
Astro Van	85-02	Front Brake Pad	2WD	0052.20
Astro Van	90-02	Front Brake Pad	4WD	0369.20
Express 1500 / G1500	09-13	Front Brake Pad		1363.20



Pad Part Numbering System

WWW.XX

FMSI /
Pad
Shape

Compound

Status Key

P = Current Production Part.
 SO = Special Order. Limited stock may exist.
 DS = Deplete Stock.
 Limited stock may exist.
 Prices subject to change without notice.

BRAKE PADS MAKE/MODEL GUIDE				
Make / Model	Year	Front / Rear	Qualifier	PFC Part #
Express 1500 / G1500	09-13	Rear Brake Pad		0974.20
Express 1500 / G1500	03-08	Front Brake Pad		0785.20
Express 1500 / G1500	03-08	Rear Brake Pad		0974.20
Express 1500 / G1500	96-02	Front Brake Pad	G and Cargo	0369.20
Express 2500 / G2500	06-13	Front Brake Pad		0784.20
Express 2500 / G2500	06-13	Rear Brake Pad		0974.20
Express 2500 / G2500	03-05	Front Brake Pad	7300 GVW	0785.20
Express 2500 / G2500	03-05	Rear Brake Pad	7300 GVW	0974.20
Express 2500 / G2500	03-05	Front Brake Pad	8500 GVW	0784.20
Express 2500 / G2500	03-05	Rear Brake Pad	8500 GVW	0974.20
Express 2500 / G2500	02	Front Brake Pad		0370.20
Express 2500 / G2500	96-01	Front Brake Pad	7200lb GVW	0369.20
Express 2500 / G2500	96-01	Front Brake Pad	7700, 8600 lb GVW	0370.20
Express 3500 / G3500	11-13	Front Brake Pad	All	0784.20
Express 3500 / G3500	12-13	Rear Brake Pad	SRW	0784.20
Express 3500 / G3500	08-12	Rear Brake Pad	DRW	1411.20
Express 3500 / G3500	11	Rear Brake Pad	exc 8600lb & 10,000lb Cutaways	0974.20
Express 3500 / G3500	09-10	Front Brake Pad	All	0784.20
Express 3500 / G3500	09-10	Rear Brake Pad	SRW	0974.20
Express 3500 / G3500	07-08	Front Brake Pad	8600 lb GVW	0784.20
Express 3500 / G3500	03-08	Front Brake Pad	All	0784.20
Express 3500 / G3500	03-08	Rear Brake Pad	7300 GVW w/ SRW	0974.20
Express 3500 / G3500	03-08	Rear Brake Pad	DRW	0989.20
Express 3500 / G3500	96-02	Front Brake Pad	SRW	0370.20
Express 3500 / G3500	96-02	Front Brake Pad	DRW	0459.20
Express G4500	09-11	Front Brake Pad		0784.20
Express 4500	09-10	Rear Brake Pad		1411.20
G10 / 1500	71-96	Front Brake Pad	1/2 ton van	0052.20
G20 / 2500	71-96	Front Brake Pad	3/4 ton van	0052.20
G30 / 3500	79-96	Front Brake Pad	SRW	0153.20
G30 / 3500	79-96	Front Brake Pad	DRW	0154.20
G30 / 3500	79-89	Front Brake Pad	1 ton van Std brakes	0052.20
G30 / 3500	79-89	Front Brake Pad	1 ton van HD brakes 13" rr drum	0149.20
CHEVROLET - PANEL TRUCK				
L10	90-97	Front Brake Pad	mail truck	0154.20
LLV	87-95	Front Brake Pad	Postal Vehicle	0154.20
P10	71-80	Front Brake Pad	1/2 ton panel van	0052.20
P20	79-89	Front Brake Pad	3/4 ton panel van 13"rr drum	0153.20
P20	79-89	Front Brake Pad	3/4 ton panel van 11"rr drum	0052.20
P20	71-78	Front Brake Pad	3/4 ton panel van	0052.20
P30	97-00	Front Brake Pad	1 ton panel van 4 wheel rotor	0184.10 or 0184.20
P30	97-00	Rear Brake Pad	1 ton panel van 4 wheel rotor	0184.10 or 0184.20
P30	76-96	Front Brake Pad	1 ton panel van 4 wheel rotor	0149.20
P30	76-96	Rear Brake Pad	1 ton panel van 4 wheel rotor	0149.20
P30	75-97	Front Brake Pad	1 ton panel van 13x3.5" rr drum	0149.20
P30	79-93	Front Brake Pad	1 ton panel van 13x2.5" rr (JB7,JD7)	0153.20
P30	74-75	Front Brake Pad	1 ton panel van 13x2.5" rr drum	0052.20
P30	71-73	Front Brake Pad	1 ton panel van 178" wb (HD Bendix Cal.)	0149.20
P30	71-73	Front Brake Pad	1 ton panel van 158" wb (LD Delco Cal.)	0052.20
P30	71-73	Front Brake Pad	1 ton panel van 15x4" rr drum	0052.20
P30	71-73	Front Brake Pad	1 ton panel van 13x2.5" rr drum	0052.20
CHEVROLET - LT TRUCK				
Avalanche	08-13	Front Brake Pad		1363.20
Avalanche	07	Front Brake Pad		1092.10
Avalanche	07-13	Rear Brake Pad		1194.20
Avalanche 1500	03-06	Front Brake Pad	2wd	0785.20
Avalanche 1500	03-06	Rear Brake Pad	2wd	0974.20
Avalanche 1500	03-05	Front Brake Pad	4wd	0785.20
Avalanche 1500	03-05	Rear Brake Pad	4wd	0834.20
Avalanche 1500	01-02	Front Brake Pad	w/ 2 piston rear caliper	0785.20
Avalanche 1500	01-02	Rear Brake Pad	w/ 2 piston rear caliper	0834.20
Avalanche 1500	01-02	Front Brake Pad	w/ single piston rear caliper	0784.20
Avalanche 1500	01-02	Rear Brake Pad	w/ single piston rear caliper	0792.20
Avalanche 2500	01-06	Front Brake Pad		0784.20



Pad Part Numbering System

WWW.XX

FMSI /
Pad
Shape

Compound

Status Key

P = Current Production Part.
 SO = Special Order. Limited stock may exist.
 DS = Deplete Stock.
 Limited stock may exist.
 Prices subject to change without notice.

BRAKE PADS MAKE/MODEL GUIDE				
Make / Model	Year	Front / Rear	Qualifier	PFC Part #
Avalanche 2500	01-06	Rear Brake Pad		0785.20
C10 / 1500	92-00	Front Brake Pad		0369.20
C10 / 1500	88-91	Front Brake Pad	Extended cab	0369.20
C10 / 1500	88-91	Front Brake Pad	Std Cab w/ HD suspension	0369.20
C10 / 1500	88-91	Front Brake Pad	Std Cab w/ STD suspension	0368.20
C10 / 1500	71-87	Front Brake Pad		0052.20
C20 / 2500	89-00	Front Brake Pad	HD w/ JB7, JD7 Brake & 13" rear drum	0370.20
C20 / 2500	88-00	Front Brake Pad	LD w/ JB6, JD6 Brake & 11" rear drum	0369.20
C20 / 2500	79-87	Front Brake Pad	LD w/ JB6, JD6 Brake & 11" rear drum	0052.20
C20 / 2500	71-78	Front Brake Pad		0052.20
C30 / 3500	92-99	Front Brake Pad	SRW	0370.20
C30 / 3500	92-99	Front Brake Pad	DRW	0459.20
C30 / 3500	95-99	Front Brake Pad	Cab/Chassis w/rotor-rotor from VIN RJ107933	0184.10 or 0184.20
C30 / 3500	95-99	Rear Brake Pad	Cab/Chassis w/rotor-rotor from VIN RJ107933	0184.10 or 0184.20
C30 / 3500	91-95	Front Brake Pad	Cab/Chassis w/rotor-rotor to VIN RJ107933	0149.20
C30 / 3500	91-95	Rear Brake Pad	Cab/Chassis w/rotor-rotor to VIN RJ107933	0149.20
C30 / 3500	88-91	Front Brake Pad	w/ 13x2.5" drum	0370.20
C30 / 3500	88-91	Front Brake Pad	w/ 13x3.5" drum	0459.20
C30 / 3500	79-87	Front Brake Pad	w/ 13x2.5" drum	0153.20
C30 / 3500	79-87	Front Brake Pad	w/ 13x3.5" drum	0149.20
C30 / 3500	74-78	Front Brake Pad	w/ HD Brakes	0149.20
C30 / 3500	71-78	Front Brake Pad	w/ Std Brakes	0052.20
Colorado	09-12	Front Brake Pad		1169.20
K10 / 1500 4wd	94-00	Front Brake Pad	Exc. L65 Diesel option	0369.20
K10 / 1500 4wd	94-98	Front Brake Pad	w/ HD - L65 Diesel	0370.20
K10 / 1500 4wd	92-93	Front Brake Pad	All	0369.20
K10 / 1500 4wd	88-91	Front Brake Pad	Std Brake w/ 117" & 131" Wheelbase	0368.20
K10 / 1500 4wd	88-91	Front Brake Pad	HD Brake w/ 155" WB (Extra Cab)	0370.20
K10 / 1500 4wd	71-87	Front Brake Pad		0052.20
K20 / 2500 4wd	88-99	Front Brake Pad	8600 lb GVW & w/JD7 Diesel option	0370.20
K20 / 2500 4wd	89-99	Front Brake Pad	utility chassis	0370.20
K20 / 2500 4wd	88-99	Front Brake Pad	w/ 7200 lb GVW	0369.20
K20 / 2500 4wd	79-87	Front Brake Pad	w/ 11" rr drum	0052.20
K20 / 2500 4wd	79-87	Front Brake Pad	w/ 13" rr drum	0153.20
K20 / 2500 4wd	71-78	Front Brake Pad		0052.20
K30 / 3500 4wd	90-99	Front Brake Pad	HD Brake - DRW &/or JB9 option	0459.20
K30 / 3500 4wd	88-99	Front Brake Pad	LD Brake - 9000 GVW w/ SRW	0370.20
K30 / 3500 4wd	77-86	Front Brake Pad		0149.20
S10 Pickup	97-04	Front Brake Pad	w/rear disc	0726.20
S10 Pickup	97-04	Rear Brake Pad	w/rear disc	0729.20
S10 Pickup	98-03	Front Brake Pad	w/rear drum	0154.20
Silverado 1500	08-13	Front Brake Pad	disc rear	1363.20
Silverado 1500	07-13	Rear Brake Pad	disc rear	1194.20
Silverado 1500	07-08	Front Brake Pad	Ext Cab and Crew Cab	1092.10
Silverado 1500	05-07	Front Brake Pad	w/ drum rear	1092.10
Silverado 1500	05-07	Front Brake Pad	Hybrid	0785.20
Silverado 1500	05-07	Rear Brake Pad	Hybrid	0792.20
Silverado 1500	00-06	Front Brake Pad	2 & 4WD w/ dual piston caliper	0785.20
Silverado 1500	00-06	Rear Brake Pad	2 & 4WD w/ dual piston caliper	0792.20
Silverado 1500	05-06	Front Brake Pad	Crew Cab	1092.10
Silverado 1500	04	Front Brake Pad	Crew Cab	0785.20
Silverado 1500	04-06	Rear Brake Pad	Crew Cab	0834.20
Silverado 1500	02-03	Front Brake Pad	Ext cab, 2Dr, 4 whl steer	0785.20
Silverado 1500	02-03	Rear Brake Pad	Ext cab, 2Dr, 4 whl steer	0834.20
Silverado 1500HD	07	Front Brake Pad		0784.20
Silverado 1500HD	07	Rear Brake Pad		0785.20
Silverado 1500HD	00-06	Front Brake Pad	2 & 4WD w/ Quadrasteer	0785.20
Silverado 1500HD	00-06	Rear Brake Pad	2 & 4WD w/ Quadrasteer	0834.20
Silverado 1500HD	00-06	Front Brake Pad	2 & 4WD w/ HD Brake	0784.20
Silverado 1500HD	00-06	Rear Brake Pad	2 & 4WD w/ HD Brake	0785.20
Silverado 1500 Classic	00	Front Brake Pad	2 & 4WD w/ single piston caliper	0369.20
Silverado 2500HD	12-13	Front Brake Pad		tba
Silverado 2500HD	12-13	Rear Brake Pad		1411.20
Silverado 2500HD	11	Front Brake Pad		1411.20



Pad Part Numbering System

WWW.XX

FMSI /
Pad
Shape

Compound

Status Key

P = Current Production Part.
 SO = Special Order. Limited stock may exist.
 DS = Deplete Stock.
 Limited stock may exist.
 Prices subject to change without notice.

BRAKE PADS MAKE/MODEL GUIDE				
Make / Model	Year	Front / Rear	Qualifier	PFC Part #
Silverado 2500HD	11	Rear Brake Pad		1411.20
Silverado 2500	11	Front Brake Pad		1411.20
Silverado 2500	05-06	Front Brake Pad		0785.20
Silverado 2500	05-06	Rear Brake Pad		0785.20
Silverado 2500	00-06	Front Brake Pad	2 & 4WD w/ dual piston caliper	0784.20
Silverado 2500	00-06	Rear Brake Pad	2 & 4WD w/ dual piston caliper	0785.20
Silverado 2500HD	99-10	Front Brake Pad	2 & 4WD	0784.20
Silverado 2500HD	99-10	Rear Brake Pad	2 & 4WD	0785.20
Silverado 2500 Classic	00	Front Brake Pad	2 & 4WD w/ single piston caliper	0370.20
Silverado 3500HD	12-13	Front Brake Pad		tba
Silverado 3500HD	12-13	Rear Brake Pad		1411.20
Silverado 3500HD	11	Front Brake Pad		1411.20
Silverado 3500HD	11	Rear Brake Pad		1411.20
Silverado 3500HD	01-10	Front Brake Pad	w/ DRW	0784.20
Silverado 3500HD	01-10	Rear Brake Pad	w/ DRW	0909.20
Silverado 3500	05-07	Front Brake Pad	w/ SRW	0784.20
Silverado 3500	05-07	Rear Brake Pad	w/ SRW	0785.20
Silverado 3500	04-08	Front Brake Pad	w/ 12k GVW	0784.20
Silverado 3500	04-08	Rear Brake Pad	w/ 12k GVW	0909.20
Silverado 3500	09	Front Brake Pad	w/ 9900 gvw	0784.20
Silverado 3500 Classic	00	Front Brake Pad	exc. 4WD w/DRW	0370.20
Silverado 3500 Classic	00	Front Brake Pad	4WD w/DRW	0459.20
SSR	06-08	Rear Brake Pad		0883.20
SSR	03-05	Front Brake Pad		0882.20
SSR	03-05	Rear Brake Pad		0883.20
CHEVROLET - SUV				
C/K Blazer Full Size	92-94	Front Brake Pad		0369.20
K/V Blazer Full Size	71-91	Front Brake Pad		0052.20
Equinox	05-06	Front Brake Pad		0833.20
Suburban 1500	08-13	Front Brake Pad		1363.20
Suburban 1500	08-13	Rear Brake Pad		1194.20
Suburban 1500	07	Front Brake Pad		1092.10
Suburban 1500	07	Rear Brake Pad		1194.20
Suburban 1500	00-06	Front Brake Pad		0785.20
Suburban 1500	00-06	Rear Brake Pad	Std Brakes	0974.20
Suburban 1500	00-06	Rear Brake Pad	4WD, HD Brakes	0834.20
Suburban 1500 2wd	94-00	Front Brake Pad	Gas Eng. JB6 Vacuum Power Brakes	0369.20
Suburban 1500 2wd	94-00	Front Brake Pad	Diesel Eng. JD6 w/Hydraulic Power Assist	0370.20
Suburban 1500 2wd	92-93	Front Brake Pad		0369.20
Suburban 1500 2wd	71-91	Front Brake Pad		0052.20
Suburban 1500 4wd	92-00	Front Brake Pad	Gas Eng. JB6 Vacuum Power Brakes	0369.20
Suburban 1500 4wd	94-00	Front Brake Pad	Diesel Eng. JD6 w/Hydraulic Power Assist	0370.20
Suburban 1500 4wd	92-93	Front Brake Pad	Diesel Eng. JD6 w/Hydraulic Power Assist	0369.20
Suburban 1500 4wd	71-91	Front Brake Pad		0052.20
Suburban 2500	06-13	Front Brake Pad		0784.20
Suburban 2500	06-13	Rear Brake Pad		0785.20
Suburban 2500	04-05	Front Brake Pad		0785.20
Suburban 2500	04-05	Rear Brake Pad		0785.20
Suburban 2500	00-02	Front Brake Pad	w/ dual piston caliper	0784.20
Suburban 2500	00-02	Rear Brake Pad	w/ dual piston caliper	0785.20
Suburban 2500 2wd	92-00	Front Brake Pad	w/ single piston caliper	0370.20
Suburban 2500 2wd	90-91	Front Brake Pad	All	0153.20
Suburban 2500 2wd	88-89	Front Brake Pad	HD Brake (JB7 & JD7)	0153.20
Suburban 2500 2wd	71-89	Front Brake Pad	LD Brake (JB6 & JD6)	0052.20
Suburban 2500 4wd	92-00	Front Brake Pad		0370.20
Suburban 2500 4wd	90-91	Front Brake Pad	All	0153.20
Suburban 2500 4wd	88-89	Front Brake Pad	HD Brake (JB7 & JD7)	0153.20
Suburban 2500 4wd	71-89	Front Brake Pad	LD Brake (JB6 & JD6)	0052.20
S10 Blazer	97-05	Front Brake Pad	w/rear disc	0726.20
S10 Blazer	97-05	Rear Brake Pad	w/rear disc	0729.20
S10 Blazer	82-97	Front Brake Pad	w/ rear drum	0154.20
T-10	03-05	Front Brake Pad		0726.20
T-10	03-05	Rear Brake Pad		0729.20
T-10	02	Front Brake Pad		0882.20



Pad Part Numbering System

WWW.XX

FMSI /
Pad
Shape

Compound

Status Key

P = Current Production Part.
 SO = Special Order. Limited stock may exist.
 DS = Deplete Stock.
 Limited stock may exist.
 Prices subject to change without notice.

BRAKE PADS MAKE/MODEL GUIDE

Make / Model	Year	Front / Rear	Qualifier	PFC Part #
T-10	02	Rear Brake Pad		0883.20
Tahoe	08-13	Front Brake Pad	inc Police	1363.20
Tahoe	08-13	Rear Brake Pad	inc Police	1194.20
Tahoe	07	Front Brake Pad	inc Police	1092.10
Tahoe	07	Rear Brake Pad	inc Police	1194.20
Tahoe	05-06	Front Brake Pad	w/ 4wd	0785.20
Tahoe	05-06	Rear Brake Pad	w/ 4wd	0834.20
Tahoe	03-06	Front Brake Pad	w/ 2wd	0785.20
Tahoe	03-06	Rear Brake Pad	w/ 2wd	0974.20
Tahoe	02-03	Front Brake Pad	2wd New Style	0785.20
Tahoe	02-03	Rear Brake Pad	2wd New Style	0974.20
Tahoe	02-03	Front Brake Pad	2wd Classic Style	0785.20
Tahoe	02-03	Rear Brake Pad	2wd Classic Style	0834.20
Tahoe	00-01	Front Brake Pad	w/ rear disc brakes, also 2wd	0785.20
Tahoe	00-01	Rear Brake Pad	w/ rear disc brakes, also 2wd	0834.20
Tahoe	95-00	Front Brake Pad	Gas Eng. JB6 Vacuum Power Brakes	0369.20
Tahoe	95-00	Front Brake Pad	Diesel Eng. JD7 w/Hydraulic Power Assist	0369.20
Tahoe Police	98-00	Front Brake Pad	4 Door w/ Z56 chassis prep.	0370.20
Trail Blazer	06-09	Front Brake Pad		1169.20
Trail Blazer	02-05	Front Brake Pad		0882.20
Trail Blazer	02-09	Rear Brake Pad	inc Sport model	0883.20
Traverse	09-12	Front Brake Pad		1169.20
Traverse	11-12	Rear Brake Pad		1507.20
Traverse	09-10	Rear Brake Pad		0883.20
CHEVROLET - MED TRUCK				
B60, B6000	83-97	Front Brake Pad	w/Dayton 2.50 caliper	0224.10 or 0224.20
B60, B6000	83-97	Rear Brake Pad	w/Dayton 2.50 caliper	0224.10 or 0224.20
B60, B6000	83-97	Front Brake Pad	w/ Bendix 2.88 caliper	0225.10 or 0225.20
B60, B6000	83-97	Rear Brake Pad	w/ Bendix 2.88 caliper	0225.10 or 0225.20
B6P042	83-91	Front Brake Pad	w/ Bendix 2.88 caliper	0225.10 or 0225.20
B6P042	83-91	Rear Brake Pad	w/ Bendix 2.88 caliper	0225.10 or 0225.20
B6P042	83-91	Front Brake Pad	w/Dayton 2.50 caliper	0224.10 or 0224.20
B6P042	83-91	Rear Brake Pad	w/Dayton 2.50 caliper	0224.10 or 0224.20
B7T042	93-02	Front Brake Pad	w/ Bendix 2.88 caliper	0225.10 or 0225.20
B7T042	93-02	Rear Brake Pad	w/ Bendix 2.88 caliper	0225.10 or 0225.20
B7T042	93-02	Front Brake Pad	w/Dayton 2.50 caliper	0224.10 or 0224.20
B7T042	93-02	Rear Brake Pad	w/Dayton 2.50 caliper	0224.10 or 0224.20
B70,B7000	83-97	Front Brake Pad	w/ Bendix 2.88 caliper	0225.10 or 0225.20
B70,B7000	83-97	Rear Brake Pad	w/ Bendix 2.88 caliper	0225.10 or 0225.20
C40/C4000	88-97	Front Brake Pad	w/Bendix 3.88 caliper	0184.10 or 0184.20
C40/C4000	88-97	Front Brake Pad	w/Dayton 2.50 caliper	0225.10 or 0225.20
C4500	03-10	Front Brake Pad	2 Piston Caliper	1010.10
C4500	03-10	Rear Brake Pad	2 Piston Caliper w/o drum in hat rear rotor	1010.10
C4500	03-10	Rear Brake Pad	2 Piston Caliper w/ drum in hat rear rotor	1064.10
C4500	03-10	Front Brake Pad	4 Piston Caliper	0769.10
C4500	03-10	Rear Brake Pad	4 Piston Caliper	0769.10
C50 / C500 / C5000	96-01	Front Brake Pad	with Dayton 4 piston rear	0225.10 or 0225.20
C50 / C500 / C5000	96-01	Rear Brake Pad	with Dayton 4 piston rear	0769.10
C50 / C500 / C5000	96-01	Front Brake Pad	with Dayton 4 piston F & R	0769.10
C50 / C500 / C5000	96-01	Rear Brake Pad	with Dayton 4 piston F & R	0769.10
C5500 Kodiak	03-10	Front Brake Pad	4 piston Caliper	0769.10
C5500 Kodiak	03-10	Rear Brake Pad	4 piston Caliper	0769.10
C5500 Kodiak	03-10	Front Brake Pad	2 piston caliper	1010.10
C5500 Kodiak	03-10	Rear Brake Pad	2 piston caliper	1010.10
C5500 Kodiak	03-10	Front Brake Pad	w/o drum in hat rear rotor and 2 piston caliper	1010.10
C5500 Kodiak	03-10	Rear Brake Pad	w/o drum in hat rear rotor and 2 piston caliper	1010.10
C5500 Kodiak	03-10	Rear Brake Pad	w/ drum in hat rear rotor	1064.10
C60,C6000	86-97	Front Brake Pad	w/Dayton 2.50 caliper	0224.10 or 0224.20
C60,C6000	86-97	Rear Brake Pad	w/Dayton 2.50 caliper	0224.10 or 0224.20
C60,C6000	86-90	Front Brake Pad	w/ Bendix 2.88 caliper	0225.10 or 0225.20
C60,C6000	86-90	Rear Brake Pad	w/ Bendix 2.88 caliper	0225.10 or 0225.20
C60,C6000	88-89	Front Brake Pad	w/Bendix 3.36 w/o wear sensors	0184.10 or 0184.20
C60,C6000	88-89	Rear Brake Pad	w/Bendix 3.36 w/o wear sensors	0184.10 or 0184.20
C60 Kodiak	91-97	Front Brake Pad	w/Dayton 2.50 caliper	0224.10 or 0224.20



Pad Part Numbering System

WWW.XX

FMSI /
Pad
Shape

Compound

Status Key

P = Current Production Part.
 SO = Special Order. Limited stock may exist.
 DS = Deplete Stock.
 Limited stock may exist.
 Prices subject to change without notice.

BRAKE PADS MAKE/MODEL GUIDE				
Make / Model	Year	Front / Rear	Qualifier	PFC Part #
C60 Kodiak	91-97	Rear Brake Pad	w/Dayton 2.50 caliper	0224.10 or 0224.20
C6500 / C7500 Kodiak	03-10	Front Brake Pad	4 piston Caliper	1032.10
C6500 / C7500 Kodiak	03-10	Rear Brake Pad	4 piston Caliper	1032.10
C6500 / C7500 Kodiak	03-06	Front Brake Pad	w/ DIH PB	1010.10
C6500 / C7500 Kodiak	03-09	Rear Brake Pad	10 Bolt	1010.10
C6500 / C7500 Kodiak	09	Rear Brake Pad	5 Bolt	1064.10
C5D042	83-90	Front Brake Pad	w/ Bendix 2.88 caliper	0225.10 or 0225.20
C5D042	83-90	Rear Brake Pad	w/ Bendix 2.88 caliper	0225.10 or 0225.20
C5D042	83-90	Front Brake Pad	w/Dayton 2.50 caliper	0224.10 or 0224.20
C5D042	83-90	Rear Brake Pad	w/Dayton 2.50 caliper	0224.10 or 0224.20
C6D042	83-90	Front Brake Pad	w/ Bendix 2.88 caliper	0225.10 or 0225.20
C6D042	83-90	Rear Brake Pad	w/ Bendix 2.88 caliper	0225.10 or 0225.20
C6D042	83-90	Front Brake Pad	w/Dayton 2.50 caliper	0224.10 or 0224.20
C6D042	83-90	Rear Brake Pad	w/Dayton 2.50 caliper	0224.10 or 0224.20
C70,C7000	98-01	Front Brake Pad	with Dayton 4 piston caliper F & R	0769.10
C70,C7000	98-01	Rear Brake Pad	with Dayton 4 piston caliper F & R	0769.10
C70,C7000	83-97	Front Brake Pad	w/ Bendix 2.88 caliper	0225.10 or 0225.20
C70,C7000	83-97	Rear Brake Pad	w/ Bendix 2.88 caliper	0225.10 or 0225.20
C7D042	83-90	Front Brake Pad	w/ Bendix 2.88 caliper	0225.10 or 0225.20
C7D042	83-90	Rear Brake Pad	w/ Bendix 2.88 caliper	0225.10 or 0225.20
C7D042	83-90	Front Brake Pad	w/Dayton 2.50 caliper	0224.10 or 0224.20
C7D042	83-90	Rear Brake Pad	w/Dayton 2.50 caliper	0224.10 or 0224.20
C7D064	83-90	Front Brake Pad	w/ Bendix 2.88 caliper	0225.10 or 0225.20
C7D064	83-90	Rear Brake Pad	w/ Bendix 2.88 caliper	0225.10 or 0225.20
C7D064	83-90	Front Brake Pad	w/Dayton 2.50 caliper	0224.10 or 0224.20
C7D064	83-90	Rear Brake Pad	w/Dayton 2.50 caliper	0224.10 or 0224.20
C7D064	88-90	Front Brake Pad	w/ Bendix 3.38 caliper	0184.10 or 0184.20
Motor Home	97-00	Front Brake Pad	with Bosch caliper	0184.10 or 0184.20
Motor Home	97-00	Rear Brake Pad	with Bosch caliper	0184.10 or 0184.20
Motor Home	74-97	Front Brake Pad	with Delco caliper inc w/rr rotor	0149.20
Motor Home	74-97	Rear Brake Pad	with Delco caliper inc w/rr rotor	0149.20
Motor Home	71-73	Front Brake Pad		0052.20
P60	83-97	Front Brake Pad	w/Dayton 2.50 caliper	0224.10 or 0224.20
P60	83-97	Rear Brake Pad	w/Dayton 2.50 caliper	0224.10 or 0224.20
P60	88-97	Front Brake Pad	w/ Bendix 2.88 caliper	0225.10 or 0225.20
P60	88-97	Rear Brake Pad	w/ Bendix 2.88 caliper	0225.10 or 0225.20
P60	88-00	Front Brake Pad	w/Bendix 3.36 w/o wear sensors	0184.10 or 0184.20
P60	88-00	Rear Brake Pad	w/Bendix 3.36 w/o wear sensors	0184.10 or 0184.20
B,C,P 6500	96-01	Front Brake Pad	with Dayton 4 piston rear	0225.10 or 0225.20
B,C,P 6500	96-01	Rear Brake Pad	with Dayton 4 piston rear	0769.10
B,C,P 6500	96-01	Front Brake Pad	with Dayton 4 piston F & R	0769.10
B,C,P 6500	96-01	Rear Brake Pad	with Dayton 4 piston F & R	0769.10
T5500/6500/7500/8500	03-10	Front Brake Pad		0769.10
T5500/6500/7500/8500	03-10	Front Brake Pad		0769.10
T5500/6500/7500/8500	03/96-02	Front Brake Pad	11000lb w/ Bendix Caliper	0225.10 or 0225.20
T5500/6500/7500/8500	03/96-02	Rear Brake Pad	11000lb w/ Bendix Caliper	0225.10 or 0225.20
T5500/6500/7500/8500	03/96-02	Front Brake Pad	8100lb w/ Dayton Caliper	0224.10 or 0224.20
T5500/6500/7500/8500	03/96-02	Rear Brake Pad	8100lb w/ Dayton Caliper	0224.10 or 0224.20
W3500	10/97-07	Front Brake Pad	w/ gas engine	0825.20
W3500	10/97-07	Front Brake Pad	14000 - 16000gvw gas and diesel	0827.20
W3500	95-10/97	Front Brake Pad	w/ gas engine	0546.20
W3500	1/98-07	Front Brake Pad	w/ diesel engine	0825.20
W3500	95-12/97	Front Brake Pad	w/ diesel engine	0546.20
W4,W400,W4000	98-05	Front Brake Pad	w/front rotor gas engine	0827.20
W4,W400,W4000	87-97	Front Brake Pad	w/front rotor gas engine	0546.20
W4,W400,W4000	98-05	Front Brake Pad	w/front rotor diesel engine	0825.20
W4,W400,W4000	87-97	Front Brake Pad	w/front rotor diesel engine	0546.20
W4500 Tiltmaster	98-08	Front Brake Pad	w/ diesel engine	0825.20
W4500 Tiltmaster	99-08	Front Brake Pad	w/ gas engine	0827.20
W4500 Tiltmaster	95-9/97	Front Brake Pad	w/ gas engine	0546.20
W4500 Tiltmaster	95-12/97	Front Brake Pad	w/ diesel engine	0546.20
W5500	00-10	Front Brake Pad	inc HD	0827.20
On medium duty check caliper/axles for correct combination of parts				
CHRYSLER				



Pad Part Numbering System

WWW.XX

FMSI /
Pad
Shape

Compound

Status Key

P = Current Production Part.
 SO = Special Order. Limited stock may exist.
 DS = Deplete Stock.
 Limited stock may exist.
 Prices subject to change without notice.

BRAKE PADS MAKE/MODEL GUIDE				
Make / Model	Year	Front / Rear	Qualifier	PFC Part #
300	12	Front Brake Pad	RWD	1058.20
300	12-13	Rear Brake Pad	RWD	1057.20
300	08-13	Front Brake Pad	w/ AWD or Performance	1058.20
300	08-13	Rear Brake Pad	w/ AWD or Performance	1057.20
300	08-11	Front Brake Pad	RWD w/o Performance	1056.20
300	08-11	Rear Brake Pad	RWD w/o Performance	1057.20
300C	05-08	Front Brake Pad	inc. Touring except SRT8	1056.20
300C	05-08	Rear Brake Pad	inc. Touring except SRT8	1057.20
300C	05-08	Front Brake Pad	HP except Touring	1058.20
300C	05-08	Rear Brake Pad	HP except Touring	1057.20
300M	99-04	Front Brake Pad	inc. Special	0591.20
300M	99-04	Rear Brake Pad	inc. Special	0782.20
Cirrus	95-00	Front Brake Pad		0650.20
Cirrus	95-00	Rear Brake Pad		0782.20
Concorde	93-04	Front Brake Pad		0591.20
Concorde	93-04	Rear Brake Pad		0782.20
Imperial	74-75	Front Brake Pad		0269.10
LHS	93-01	Front Brake Pad		0591.20
LHS	93-01	Rear Brake Pad		0782.20
LeBaron	91-95	Front Brake Pad		0521.20
LeBaron	91-95	Rear Brake Pad		0522.20
New Yorker	94-96	Front Brake Pad		0591.20
New Yorker	94-96	Rear Brake Pad		0782.20
New Yorker	91-93	Front Brake Pad		0521.20
New Yorker	91-93	Rear Brake Pad		0782.20
New Yorker	90	Front Brake Pad		0521.20
New Yorker	74-78	Front Brake Pad		0269.10
Prowler	97-02	Front Brake Pad		0591.20
PT Cruiser GT	07-08	Rear Brake Pad		0782.20
PT Cruiser	01-08	Rear Brake Pad		0782.20
Sebring	05-06	Front Brake Pad	w/ drum rear brakes	0869.20
Sebring Sedan	01-06	Front Brake Pad		0869.20
Sebring Sedan	01-06	Rear Brake Pad		0782.20
Sebring Coupe	01-05	Front Brake Pad	w/ 4 Cyl only	0484.20
Sebring Coupe	95-00	Front Brake Pad		0484.20
Sebring Convertible	01-05	Front Brake Pad		0869.20
Sebring Convertible	01-05	Rear Brake Pad		0782.20
Sebring Convertible	96-00	Front Brake Pad		0650.20
Sebring Convertible	96-00	Rear Brake Pad		0782.20
CHRYSLER - Truck				
Aspen	07-09	Front Brake Pad		1084.20
Town and Country	13	Front Brake Pad		1589.20
Town and Country	13	Rear Brake Pad		1596.20
Town and Country	12	Front Brake Pad	Limited, HD	1589.20
Town and Country	12	Rear Brake Pad	Limited, HD	1596.20
Town and Country	12	Front Brake Pad	Std.	1327.20
Town and Country	12	Rear Brake Pad	Std.	1326.20
Town and Country	08-11	Front Brake Pad		1327.20
Town and Country	08-11	Rear Brake Pad		1326.20
Town and Country	02-07	Front Brake Pad	w/ drum rear brakes	0856.20
Town and Country	01-07	Front Brake Pad	w/ disc rear brakes	0857.20
Town and Country	01-07	Rear Brake Pad	w/ disc rear brakes	0858.20
Town and Country	96-00	Front Brake Pad		0591.20
Town and Country	95	Front Brake Pad		0521.20
Town and Country	91-94	Front Brake Pad	w/ 14" wheels	0521.20
Town and Country	91-94	Front Brake Pad	w/ 15" wheels	0522.20
Town and Country	74-78	Front Brake Pad	Station Wagon	0269.10
Voyager	01-03	Front Brake Pad	w/ 15" wheels inc Grand Model	0856.20
Voyager	01-03	Front Brake Pad	w/ 16" wheels inc Grand Model	0857.20
DODGE - CAR				
Avenger	95-00	Front Brake Pad		0484.20
Caliber	08	Front Brake Pad	SRT4	1058.20
Challenger	13	Front Brake Pad	R/T	1058.20
Challenger	13	Rear Brake Pad	R/T	1057.20



Pad Part Numbering System

WWW.XX

FMSI /
Pad
Shape

Compound

Status Key

P = Current Production Part.
 SO = Special Order. Limited stock may exist.
 DS = Deplete Stock.
 Limited stock may exist.
 Prices subject to change without notice.

BRAKE PADS MAKE/MODEL GUIDE				
Make / Model	Year	Front / Rear	Qualifier	PFC Part #
Challenger	12	Front Brake Pad	w/ AWD, HD Brakes, SXT Performance, or Base	1058.20
Challenger	12	Rear Brake Pad	All exc SRT8	1057.20
Challenger	08-11	Front Brake Pad	R/T	1058.20
Challenger	08-11	Rear Brake Pad	R/T	1057.20
Challenger	08-11	Front Brake Pad	SE	1056.20
Challenger	08-11	Rear Brake Pad	SE	1057.20
Charger Police, Performance & HD	06-13	Front Brake Pad	Police, Performance & HD	1058.20
Charger Police, Performance & HD	06-13	Rear Brake Pad	Police, Performance & HD	1057.20
Charger	08-11	Front Brake Pad	AWD	1058.20
Charger	08-11	Rear Brake Pad	AWD	1057.20
Charger	06-13	Front Brake Pad	w/ Light Duty Brakes	1056.20
Charger	06-13	Rear Brake Pad	w/ Light Duty Brakes	1057.20
Colt Vista	92-94	Front Brake Pad		0484.20
Daytona	92-93	Front Brake Pad	w/ rear drum	0521.20
Daytona	92-93	Front Brake Pad	w/ rear disc	0522.20
Daytona	91	Front Brake Pad	w/14" wheels (rotor/drum)	0521.20
Daytona	91	Front Brake Pad	w/15" wheels (rotor/rotor)	0522.20
Intrepid	93-04	Front Brake Pad	inc R/T	0591.20
Intrepid	93-04	Rear Brake Pad	inc R/T	0782.20
Magnum	05-08	Front Brake Pad	w/ HD Brakes and Police	1058.20
Magnum	05-08	Rear Brake Pad	w/ HD Brakes and Police	1057.20
Magnum	05-08	Front Brake Pad	w/ LD Brakes	1056.20
Magnum	05-08	Rear Brake Pad	w/ LD Brakes	1057.20
Monaco	74-76	Front Brake Pad		0269.10
Neon	97-05	Front Brake Pad	w/ drum or disc rear exc SRT-4	0591.20
Neon	97-05	Rear Brake Pad	w/ drum or disc rear exc SRT-4	0782.20
Neon	94-96	Front Brake Pad	w/ rear disc and 5 Lugs	0591.20
Neon	94-96	Rear Brake Pad	w/ rear disc and 5 Lugs	0782.20
Neon	94-96	Front Brake Pad	w/ rear drum and 4 lugs	0633.20
Polara	74-76	Front Brake Pad		0269.10
Shadow	90-94	Front Brake Pad		0521.20
Shadow	90-94	Rear Brake Pad		0782.20
Spirit	95	Front Brake Pad		0521.20
Spirit	95	Rear Brake Pad		0782.20
Spirit	91-94	Front Brake Pad	w/14" wheels	0521.20
Spirit	91-94	Rear Brake Pad	w/14" wheels	0782.20
Spirit	91-94	Front Brake Pad	w/15" wheels	0522.20
Spirit	91-94	Rear Brake Pad	w/15" wheels	0782.20
Stealth	91-96	Front Brake Pad	4WD only	0460.20
Stealth	91-96	Front Brake Pad	FWD only	0530.20
Stratus	04-06	Front Brake Pad	w/ drum rear	0869.20
Stratus	01-06	Front Brake Pad	Sedan	0869.20
Stratus	01-06	Rear Brake Pad	Sedan	0782.20
Stratus	01-05	Front Brake Pad	Coupe w/ 4 Cyl only	0484.20
Stratus	95-00	Front Brake Pad	w/ rotor or drum rear brakes	0650.20
Stratus	95-00	Rear Brake Pad	w/ rotor or drum rear brakes	0782.20
DODGE - TRUCK				
D200,250	73-93	Front Brake Pad	2WD models	0269.10
D300,350	73-93	Front Brake Pad	2WD models	0269.10
Dakota	05-11	Front Brake Pad		1084.20
Dakota	00-02	Front Brake Pad		0820.20
Dakota	99	Front Brake Pad		0746.20
Dakota	93-98	Front Brake Pad		0529.20
Durango	11-13	Front Brake Pad		1455.20
Durango	11-13	Rear Brake Pad		tba
Durango	07-09	Front Brake Pad		1084.20
Durango	03-04	Front Brake Pad		0966.20
Durango	00-02	Front Brake Pad		0820.20
Durango	98-99	Front Brake Pad		0746.20
Journey	09-11	Front Brake Pad		1327.20
Nitro	07-11	Front Brake Pad		1327.20
Ram SRT-10	00	Front Brake Pad		0966.20
Ram 1500	09-12	Front Brake Pad		1084.20
Ram 1500	06-08	Front Brake Pad	Mega Cab	0965.10



Pad Part Numbering System

WWW.XX

FMSI /
Pad
Shape

Compound

Status Key

P = Current Production Part.
 SO = Special Order. Limited stock may exist.
 DS = Deplete Stock.
 Limited stock may exist.
 Prices subject to change without notice.

BRAKE PADS MAKE/MODEL GUIDE				
Make / Model	Year	Front / Rear	Qualifier	PFC Part #
Ram 1500	06-08	Rear Brake Pad	Mega Cab	1096.20
Ram 1500	06-08	Front Brake Pad	Regular Cab	1084.20
Ram 1500	06-08	Front Brake Pad	Mega Cab & Extended Crew Cab	0965.10
Ram 1500	00-05	Front Brake Pad	2wd and 4wd	0702.20
Ram 1500	94-99	Front Brake Pad		0369.20
Ram 2500	09-12	Front Brake Pad		1399.20
Ram 2500	09-12	Rear Brake Pad		1400.20
Ram 2500	03-08	Front Brake Pad		0965.10
Ram 2500	03-08	Rear Brake Pad		1096.20
Ram 2500	00-02	Front Brake Pad	2WD and 4WD	0821.20
Ram 2500	00-02	Rear Brake Pad	2WD and 4WD	1096.20
Ram 2500 2wd	94-99	Front Brake Pad	w/ single piston caliper	0370.20
Ram 2500 4wd	94-99	Front Brake Pad	3500/3850lb axle trucks	0370.20
Ram 2500 4wd	94-99	Front Brake Pad	4500/4850lb axle trucks	0459.20
Ram 3500	09-12	Front Brake Pad		1399.20
Ram 3500	09-12	Rear Brake Pad		1400.20
Ram 3500	03-08	Front Brake Pad	5.9l and 6.7l Engine	0965.10
Ram 3500	03-08	Rear Brake Pad	5.9l and 6.7l Engine	1096.20
Ram 3500	00-02	Front Brake Pad	2WD and 4WD	0821.20
Ram 3500	00-02	Rear Brake Pad	2WD and 4WD	1096.20
Ram 3500	94-99	Front Brake Pad		0459.20
Ram 4500	08-12	Front Brake Pad		1335.20
Ram 4500	08-12	Rear Brake Pad		1335.20
Ram 5500	08-12	Front Brake Pad		1335.20
Ram 5500	08-12	Rear Brake Pad		1335.20
A,D,W100,150	73-93	Front Brake Pad	half ton models	0269.10
W200,250	75-93	Front Brake Pad	4WD w/std brakes	0269.10
W200,250	75-92	Front Brake Pad	4WD w/HD brakes w/4500lb front axle	0149.20
W200,250	75-92	Front Brake Pad	4WD w/HD brakes w/3500lb front axle	0269.10
W300,350	82-89	Front Brake Pad	4WD ex 4500lb axle	0269.10
W300,350	75-93	Front Brake Pad	4WD w/ 4500lb. axle	0149.20
W400,450	84-93	Front Brake Pad	4WD w/3500lb. Axle	0269.10
W400,450	81-93	Front Brake Pad	4WD w/4500lb axle	0149.20
DODGE - VAN				
1500 Ram Van	98-02	Front Brake Pad		0758.20
1500 Ram Van	95-97	Front Brake Pad		0269.10
2500 / 3500 Ram Van	97-98	Front Brake Pad		0269.10
B100,150,1500	73-96	Front Brake Pad		0269.10
B200,250,2500	73-96	Front Brake Pad		0269.10
B2500 / 3500 Van	98-03	Front Brake Pad		0655.10 or .20
B300,350,3500	73-96	Front Brake Pad		0269.10
Caravan, Grand Caravan	13	Front Brake Pad		1589.20
Caravan, Grand Caravan	13	Rear Brake Pad		1596.20
Caravan, Grand Caravan	12	Front Brake Pad	Limited, HD	1589.20
Caravan, Grand Caravan	12	Rear Brake Pad	Limited, HD	1596.20
Caravan, Grand Caravan	12	Front Brake Pad	Std.	1327.20
Caravan, Grand Caravan	12	Rear Brake Pad	Std.	1326.20
Caravan, Grand Caravan	08-11	Front Brake Pad		1327.20
Caravan, Grand Caravan	08-11	Rear Brake Pad		1326.20
Caravan, Grand Caravan	01-07	Front Brake Pad	w/ drum rear brakes includes Grand Model	0856.20
Caravan, Grand Caravan	01-07	Front Brake Pad	w/ disc rear brakes includes Grand Model	0857.20
Caravan, Grand Caravan	01-07	Rear Brake Pad	w/ disc rear brakes includes Grand Model	0858.20
Caravan, Grand Caravan	96-00	Front Brake Pad	inc Grand model	0591.20
Caravan, Grand Caravan	95	Front Brake Pad	inc Grand model	0521.20
Caravan, Grand Caravan	91-94	Front Brake Pad	w/ 14" wheels inc Grand model	0521.20
Caravan, Grand Caravan	91-94	Front Brake Pad	w/ 15" wheels inc Grand model	0522.20
MB400	73-94	Front Brake Pad		0269.10
MB450	73-94	Front Brake Pad		0269.10
Ram C/V	12-13	Front Brake Pad		1327.20
Ram C/V	12	Rear Brake Pad		1326.20
Sprinter 2500	07-09	Front Brake Pad		1316.10
Sprinter 2500	07-09	Rear Brake Pad		1317.10
Sprinter 2500	04-06	Front Brake Pad	w/ Bosch calipers	0949.10
Sprinter 2500	04-06	Rear Brake Pad	w/ Bosch calipers	0928.10



Pad Part Numbering System

WWW.XX

FMSI /
Pad
Shape

Compound

Status Key

P = Current Production Part.
 SO = Special Order. Limited stock may exist.
 DS = Deplete Stock.
 Limited stock may exist.
 Prices subject to change without notice.

BRAKE PADS MAKE/MODEL GUIDE				
Make / Model	Year	Front / Rear	Qualifier	PFC Part #
Sprinter 2500	04-06	Front Brake Pad	w/Teves Calipers	0950.10
Sprinter 2500	04-06	Rear Brake Pad	w/Teves Calipers	1006.10
Sprinter 2500	02-05	Rear Brake Pad	w/Wabco Calipers	1545.20
Sprinter 3500	07-09	Front Brake Pad	SRW	1268.10
Sprinter 3500	07-09	Rear Brake Pad	SRW	1317.10
Sprinter 3500	07-09	Front Brake Pad	DRW	1268.10
Sprinter 3500	07-09	Rear Brake Pad	DRW	1318.10
Sprinter 3500	04-06	Front Brake Pad	w/ Bosch calipers	0949.10
Sprinter 3500	04-06	Rear Brake Pad	w/ Bosch calipers	0949.10
Sprinter 3500	04-06	Front Brake Pad	w/Teves Calipers	0950.10
EAGLE				
Summit	92-96	Front Brake Pad	wagons only	0484.20
Talon	93-98	Front Brake Pad	4WD-Turbo models	0530.20
Talon	90-98	Front Brake Pad	2WD models	0484.20
Vision	93-98	Front Brake Pad		0591.20
Vision	93-98	Rear Brake Pad		0782.20
FERRARI				
208 turbo	73-76	Front Brake Pad		0045.20
208 turbo	73-76	Rear Brake Pad		0031.20
246 Dino	68-74	Front Brake Pad	GT, GTS	0045.20
246 Dino	68-74	Rear Brake Pad	GT, GTS	0031.20
308	81-84	Front Brake Pad	quattrovalve models	0395.11 or 0395.20
308	75-81	Front Brake Pad	GT,GT4, GTS 2 valve models	0045.20
308	75-81	Rear Brake Pad	GT,GT4, GTS 2 valve models	0031.20
328	85-89	Front Brake Pad	GT, GTS	0395.11 or 0395.20
348	90-94	Front Brake Pad	GT, GTS	0345.20
348	90-94	Rear Brake Pad	GT, GTS	0345.20
F355	95-97	Front Brake Pad	GT, GTS	0594.10
F355	95-97	Rear Brake Pad	GT, GTS	0345.20
Mondial	76-81	Front Brake Pad	Cpe, spider w/ ATE 2 piston front caliper	0045.20
Mondial	76-81	Rear Brake Pad	Cpe, spider w/ ATE 2 piston front caliper	0031.20
Mondial	81-90	Front Brake Pad	Cpe, spider	0395.11 or 0395.20
FORD - CAR				
Aspire	94-97	Front Brake Pad		0466.20
Contour	95-00	Front Brake Pad	Except SVT	0648.20
Crown Victoria	04-11	Front Brake Pad	Long Wheel Base	0931.20
Crown Victoria	04-11	Rear Brake Pad	Long Wheel Base	1040.20
Crown Victoria	03-11	Front Brake Pad	Std Wheel Base, inc Police	0931.20
Crown Victoria	03-11	Rear Brake Pad	Std Wheel Base, inc Police	0932.20
Crown Victoria	98-02	Front Brake Pad	w/Rear caliper piston is STEEL	0748.20
Crown Victoria	98-02	Rear Brake Pad	w/Rear caliper piston is STEEL	0674.20
Crown Victoria	98-02	Front Brake Pad	Police & Taxi w/Rear caliper piston is PHENOLIC	0748.20
Crown Victoria	98-02	Rear Brake Pad	Police & Taxi w/Rear caliper piston is PHENOLIC	0690.20
Crown Victoria	96-97	Front Brake Pad		0659.20
Crown Victoria	96-97	Rear Brake Pad		0674.20
Crown Victoria	95	Front Brake Pad		0659.20
Crown Victoria	95	Rear Brake Pad		0544.20
Crown Victoria	96-97	Front Brake Pad	Police & Taxi	0659.20
Crown Victoria	96-97	Rear Brake Pad	Police & Taxi	0674.20
Crown Victoria	95	Front Brake Pad	Police & Taxi	0659.20
Crown Victoria	95	Rear Brake Pad	Police & Taxi	0544.20
Crown Vic, LTD	90-94	Front Brake Pad	Front caliper piston is PHENOLIC	0199.20
Crown Vic, LTD	90-94	Rear Brake Pad	Front caliper piston is PHENOLIC	0544.20
Crown Vic, LTD	90-94	Front Brake Pad	Front caliper piston is STEEL	0499.20
Crown Vic, LTD	90-94	Rear Brake Pad	Front caliper piston is STEEL	0544.20
Crown Vic, LTD	87-89	Front Brake Pad		0199.20
Crown Vic, LTD	92-93	Front Brake Pad	Police & Taxi w/Front caliper piston is STEEL	0346.20
Crown Vic, LTD	92-93	Rear Brake Pad	Police & Taxi w/Front caliper piston is STEEL	0544.20
Crown Vic, LTD	82-90	Front Brake Pad	Police & Taxi w/Front caliper piston is STEEL	0346.20
Crown Vic, LTD	79-81	Front Brake Pad		0346.20
Crown Vic, LTD, Galaxy	73-78	Front Brake Pad		0050.20
Escort	94-03	Front Brake Pad	inc. ZX2	0473.20
Escort	91-94	Front Brake Pad	1.8 GT & LX-E w/14" Wheels	0473.20
Escort	91-94	Front Brake Pad	1.9 w/13" wheels	0466.20



Pad Part Numbering System

WWW.XX

FMSI /
Pad
Shape

Compound

Status Key

P = Current Production Part.
 SO = Special Order. Limited stock may exist.
 DS = Deplete Stock.
 Limited stock may exist.
 Prices subject to change without notice.

BRAKE PADS MAKE/MODEL GUIDE				
Make / Model	Year	Front / Rear	Qualifier	PFC Part #
Focus	00-04	Front Brake Pad	Except SVT	0816.20
GT	05-06	Front Brake Pad		1001.11
GT	05-06	Rear Brake Pad		1001.11
LTD	83-86	Front Brake Pad	midsize	0310.20
LTD II	77-79	Front Brake Pad		0050.20
Mustang	11-13	Front Brake Pad	3.7L eng	1464.20
Mustang	11-13	Rear Brake Pad	3.7L eng	1465.20
Mustang	13	Front Brake Pad	GT	1001.11
Mustang	13	Rear Brake Pad	Base, GT	1465.20
Mustang	12	Front Brake Pad	Boss 302, GT & GT 500 w/ Brembo Calipers	1001.11
Mustang	12	Front Brake Pad	5.0L eng, GT w/o Brembo Calipers	1463.20
Mustang	12	Rear Brake Pad	3.7L eng, Boss 302, GT	1465.20
Mustang	07-11	Front Brake Pad	Shelby GT 500, Boss 302	1001.11
Mustang	07-11	Rear Brake Pad	Shelby GT 500	1082.10
Mustang	11	Rear Brake Pad	3.7L eng, 5.0L eng	1465.20
Mustang	05-09	Front Brake Pad	inc GT	1081.10
Mustang	05-09	Rear Brake Pad	inc GT	1082.10
Mustang	04	Front Brake Pad	6.1L	0804.20
Mustang	04	Rear Brake Pad	6.1L	0627.20
Mustang	99-04	Front Brake Pad	except Cobra	0804.20
Mustang	99-04	Rear Brake Pad	except Cobra	0627.20
Mustang	95-04	Front Brake Pad	Cobra (does not fit 00-01 'R' model)	0412.20
Mustang	95-04	Rear Brake Pad	Cobra (does not fit 00-01 'R' model)	0627.20
Mustang	94-98	Front Brake Pad	except Cobra	0600.20
Mustang	83-93	Front Brake Pad	4 and 6 cyl models	0310.20
Mustang	87-93	Front Brake Pad	GT and LX V8 models	0431.20
Mustang	86	Front Brake Pad	SVT	0199.20
Mustang	83-86	Front Brake Pad	V8 models	0310.20
Police Interceptor	13	Front Brake Pad		1611.20
Police Interceptor	13	Rear Brake Pad		1612.20
Probe	93-97	Front Brake Pad		0637.20
Taurus	13	Front Brake Pad	SHO, Police	1611.20
Taurus	13	Rear Brake Pad	SHO, Police	1612.20
Taurus	13-12	Front Brake Pad	Exc. SHO and Police	1508.20
Taurus	13-12	Rear Brake Pad	Exc. SHO and Police	tba
Taurus	10-12	Front Brake Pad	SHO	1158.20
Taurus	10-11	Front Brake Pad		1376.20
Taurus	01-07	Front Brake Pad	All	0598.20
Taurus	01-07	Rear Brake Pad	All	0610.20
Taurus	94-00	Front Brake Pad	All inc Police	0601.20
Taurus	94-00	Rear Brake Pad	All inc Police	0610.20
Taurus	96-99	Front Brake Pad	SHO	0598.20
Taurus	96-99	Rear Brake Pad	SHO	0610.20
Taurus	93	Front Brake Pad	Exc. SHO and Police	0421.20
Taurus	93	Rear Brake Pad	Exc. SHO and Police	0610.20
Taurus	86-92	Front Brake Pad	Exc. SHO and Police	0421.20
Taurus	93	Front Brake Pad	SHO and Police	0421.21
Taurus	93	Rear Brake Pad	SHO and Police	0610.20
Taurus	86-92	Front Brake Pad	SHO and Police	0421.21
Thunderbird	02-05	Front Brake Pad		0805.20
Thunderbird	93-97	Front Brake Pad	inc. SC	0600.20
Thunderbird	96-97	Front Brake Pad	w/ sport package	0598.20
Thunderbird	96-97	Rear Brake Pad	w/ sport package	0610.20
Thunderbird	93-96	Front Brake Pad	Super Coupe	0600.20
Thunderbird	89-92	Front Brake Pad	Super Coupe	0417.20
Thunderbird	83-88	Front Brake Pad	Exc. Turbo Coupe	0310.20
Thunderbird	87-88	Front Brake Pad	Turbo Coupe	0431.20
Thunderbird	72-79	Front Brake Pad		0050.20
Torino, Elite	73-76	Front Brake Pad		0050.20
ZX2	94-03	Front Brake Pad		0473.20
FORD - MINI VAN				
Aerostar	87-97	Front Brake Pad		0387.20
Windstar	99-03	Front Brake Pad		0803.20



Pad Part Numbering System

WWW.XX

FMSI /
Pad
Shape

Compound

Status Key

P = Current Production Part.
 SO = Special Order. Limited stock may exist.
 DS = Deplete Stock.
 Limited stock may exist.
 Prices subject to change without notice.

BRAKE PADS MAKE/MODEL GUIDE				
Make / Model	Year	Front / Rear	Qualifier	PFC Part #
Windstar	95-98	Front Brake Pad		0601.20
FORD - SUV				
Bronco (full size)	94-96	Front Brake Pad		0632.20
Bronco (full size)	86-93	Front Brake Pad		0375.20
Bronco (full size)	76-85	Front Brake Pad		0050.20
Bronco II	87-90	Front Brake Pad	from 3/87	0387.20
Bronco II	84-85	Front Brake Pad		0387.20
Escape	01-05	Front Brake Pad	w/ rear drum	0843.20
Excursion	99-05	Front Brake Pad		0756.20
Excursion	99-05	Rear Brake Pad		0757.20
Expedition	11-12	Front Brake Pad		1414.20
Expedition	11-12	Rear Brake Pad		1279.20
Expedition	07-10	Front Brake Pad		1278.20
Expedition	07-10	Rear Brake Pad		1279.20
Expedition	02-06	Front Brake Pad	from 3/18/2002	0934.10
Expedition	02-06	Rear Brake Pad	from 3/18/2002	0935.10
Expedition	97-02	Front Brake Pad	to 3-18-2002	0702.20
Expedition	97-02	Rear Brake Pad	to 3-18-2002	0711.20
Explorer	13	Front Brake Pad	HD, Police	1611.20
Explorer	13	Front Brake Pad	HD, Police	1612.20
Explorer	11-13	Front Brake Pad	exc. HD	1508.20
Explorer	11-13	Rear Brake Pad	exc. HD	tba
Explorer	06-10	Front Brake Pad		1158.20
Explorer	05-10	Rear Brake Pad		1109.20
Explorer	02-05	Front Brake Pad	4 DR	0833.20
Explorer	02-04	Rear Brake Pad	4 DR	0881.20
Explorer	95-01	Front Brake Pad		0652.20
Explorer	95-01	Rear Brake Pad		0667.20
Explorer	91-94	Front Brake Pad		0387.20
Explorer Sport	01-05	Front Brake Pad	2 DR	0833.20
Explorer Sport Trac	07-10	Front Brake Pad		1158.20
Explorer Sport Trac	07-10	Rear Brake Pad		1109.20
Explorer Sport Trac	01-05	Front Brake Pad		0833.20
Explorer Sport Trac	03-05	Rear Brake Pad		0667.20
Police Utility	13	Front Brake Pad		1611.20
Police Utility	13	Front Brake Pad		1612.20
***For models w/ Rear ABS ONLY				
FORD - TRUCK				
F150 / 100	10-12	Front Brake Pad		1414.20
F150 / 100	10-12	Rear Brake Pad	to 10/23/11	1012.20
F150 / 100	09	Front Brake Pad		1392.20
F150 / 100	04-08	Front Brake Pad	exc Heritage Package	1011.20
F150 / 100	04-09	Rear Brake Pad	exc Heritage Package	1012.20
F150 / 100	02-04	Front Brake Pad	7700 GVW	0702.20
F150 / 100	02-04	Rear Brake Pad	7700 GVW	0711.20
F150 / 100	99-03	Front Brake Pad	w/ 5 lugs	0679.20
F150 / 100	99-03	Rear Brake Pad	w/ 5 lugs	0711.20
F150 / 100	99-01	Front Brake Pad	w/ 7 or 8 lugs	0702.20
F150 / 100	97-99	Front Brake Pad	w/ rear drum	0679.20
F150 / 100	98-99	Front Brake Pad	w/rear disc, inc lightning	0702.20
F150 / 100	98-99	Rear Brake Pad	w/rear disc, inc lightning	0711.20
F150 / 100	94-96	Front Brake Pad	Incl. Lightning	0632.20
F150 / 100	86-93	Front Brake Pad		0375.20
F150 / 100	84-86	Front Brake Pad		0050.20
F150 / 100	73-83	Front Brake Pad		0050.20
F250 / 200 inc Super Duty	12	Front Brake Pad		1333.11
F250 / 200 inc Super Duty	11-12	Rear Brake Pad		1334.11
F250 / 200 inc Super Duty	09-11	Front Brake Pad		1333.10
F250 / 200 inc Super Duty	09-10	Rear Brake Pad		1334.10
F250 / 200 inc Super Duty	08	Front Brake Pad	Built After 7/30/2007	1333.10
F250 / 200 inc Super Duty	08	Rear Brake Pad	Built After 7/30/2007	1334.10
F250 / 200 inc Super Duty	08	Front Brake Pad	Built Before 7/29/2007	1069.10
F250 / 200 inc Super Duty	08	Rear Brake Pad	Built Before 7/29/2007	1067.10
F250 / 200 inc Super Duty	05-07	Front Brake Pad		1069.10



Pad Part Numbering System

WWW.XX

FMSI /
Pad
Shape

Compound

Status Key

P = Current Production Part.
 SO = Special Order. Limited stock may exist.
 DS = Deplete Stock.
 Limited stock may exist.
 Prices subject to change without notice.

BRAKE PADS MAKE/MODEL GUIDE				
Make / Model	Year	Front / Rear	Qualifier	PFC Part #
F250 / 200 inc Super Duty	05-07	Rear Brake Pad		1068.10
F250 / 200 inc Super Duty	99-04	Front Brake Pad		0756.20
F250 / 200 inc Super Duty	99-04	Rear Brake Pad		0757.20
F250 / 200 inc Super Duty	97-98	Front Brake Pad		0702.20
F250 / 200 inc Super Duty	97-98	Rear Brake Pad		0711.20
F250 / 200 inc Super Duty	95-96	Front Brake Pad		0655.10 or .20
F250 / 200 inc Super Duty	89-94	Front Brake Pad		0450.20
F250 / 200 inc Super Duty	73-88	Front Brake Pad	dual piston caliper	0450.20
F250 / 200 inc Super Duty	73-85	Front Brake Pad	single piston caliper	0050.20
F350 / 300 inc Super Duty	12	Front Brake Pad	DRW	1333.10
F350 / 300 inc Super Duty	12	Front Brake Pad	Light Duty	1333.11
F350 / 300 inc Super Duty	11-12	Rear Brake Pad		1334.11
F350 / 300 inc Super Duty	09-11	Front Brake Pad		1333.10
F350 / 300 inc Super Duty	09-10	Rear Brake Pad		1334.10
F350 / 300 inc Super Duty	08	Front Brake Pad	Built After 7/30/2007	1333.10
F350 / 300 inc Super Duty	08	Rear Brake Pad	Built After 7/30/2007	1334.10
F350 / 300 inc Super Duty	08	Front Brake Pad	Built Before 7/29/2007	1069.10
F350 / 300 inc Super Duty	08	Rear Brake Pad	Built Before 7/29/2007	1067.10
F350 / 300 inc Super Duty	05-07	Front Brake Pad	w/DRW	1069.10
F350 / 300 inc Super Duty	05-07	Rear Brake Pad	w/DRW	1067.10
F350 / 300 inc Super Duty	05-07	Front Brake Pad	w/SRW	1069.10
F350 / 300 inc Super Duty	05-07	Rear Brake Pad	w/SRW	1068.10
F350 / 300 inc Super Duty	99-04	Front Brake Pad	SRW and DRW	0756.20
F350 / 300 inc Super Duty	99-04	Rear Brake Pad	SRW and DRW	0757.20
F350 / 300 inc Super Duty	95-98	Front Brake Pad		0655.10 or .20
F350 / 300 inc Super Duty	89-94	Front Brake Pad		0450.20
F350 / 300 inc Super Duty	76-88	Front Brake Pad		0450.20
F450 including Super Duty	11-12	Front Brake Pad	Narrow Frame	1066.10
F450 including Super Duty	11-12	Rear Brake Pad	Narrow Frame	1066.10
F450 including Super Duty	11	Front Brake Pad	Wide Frame	1333.10
F450 including Super Duty	11-12	Rear Brake Pad	Wide Frame	1334.11
F450 including Super Duty	09-10	Front Brake Pad		1066.10
F450 including Super Duty	09-10	Rear Brake Pad		1066.10
F450 including Super Duty	05-08	Front Brake Pad		1066.10
F450 including Super Duty	05-08	Rear Brake Pad		1066.10
F450 including Super Duty	99-04	Front Brake Pad		0777.20
F450 including Super Duty	99-04	Rear Brake Pad		0777.20
F450 including Super Duty	88-98	Front Brake Pad		0411.20
F450 including Super Duty	88-98	Rear Brake Pad		0411.20
F550 Super Duty	05-12	Front Brake Pad		1066.10
F550 Super Duty	05-12	Rear Brake Pad		1066.10
F550 Super Duty	99-04	Front Brake Pad		0777.20
F550 Super Duty	99-04	Rear Brake Pad		0777.20
F550 Super Duty	88-98	Front Brake Pad	2WD	0411.20
F550 Super Duty	88-98	Rear Brake Pad	2WD	0411.20
F650 / 600 inc Super Duty - SEE F650 / 600 under FORD - MED DUTY TRUCK				
F750 / 700 inc Super Duty - SEE F750 / 700 under FORD - MED DUTY TRUCK				
Flex	13	Front Brake Pad	w/ HD Brakes	1611.20
Flex	13	Rear Brake Pad	w/ HD Brakes	1612.20
Flex	11-13	Front Brake Pad	exc. HD	1508.20
Flex	11-13	Rear Brake Pad	exc. HD	tba
Flex	09-11	Front Brake Pad		1376.20
Ranger	11	Front Brake Pad		0833.20
Ranger	10-11	Rear Brake Pad		1040.20
Ranger	03-10	Front Brake Pad	2wd and 4wd	0833.20
Ranger	95-02	Front Brake Pad		0652.20
Ranger	87-94	Front Brake Pad	from 10/16/86	0387.20
Ranger	83-85	Front Brake Pad		0387.20
Ranger Electric	02	Front Brake Pad		0652.20
FORD - VAN				
E 100 / 150	08-12	Front Brake Pad		1328.20
E 100 / 150	08-12	Rear Brake Pad		1329.20
E 100 / 150	04-07	Front Brake Pad		1045.10
E 100 / 150	04-07	Rear Brake Pad		1046.10



Pad Part Numbering System

WWW.XX

FMSI /
Pad
Shape

Compound

Status Key

P = Current Production Part.
 SO = Special Order. Limited stock may exist.
 DS = Deplete Stock.
 Limited stock may exist.
 Prices subject to change without notice.

BRAKE PADS MAKE/MODEL GUIDE				
Make / Model	Year	Front / Rear	Qualifier	PFC Part #
E 100 / 150	94-03	Front Brake Pad		0632.20
E 100 / 150	86-93	Front Brake Pad		0375.20
E 100 / 150	75-85	Front Brake Pad		0050.20
E200 / 250 inc SD	08-12	Front Brake Pad		1328.20
E200 / 250 inc SD	08-12	Rear Brake Pad		1329.20
E200 / 250 inc SD	95-07	Front Brake Pad		0655.10 or .20
E200 / 250 inc SD	99-07	Rear Brake Pad		0802.20
E200 / 250 inc SD	92-94	Front Brake Pad		0557.20
E200 / 250 inc SD	89-91	Front Brake Pad		0450.20
E200 / 250 inc SD	76-88	Front Brake Pad		0450.20
E300 / 350 inc SD	08-12	Front Brake Pad		1328.20
E300 / 350 inc SD	08-12	Rear Brake Pad		1329.20
E300 / 350 inc SD	95-07	Front Brake Pad		0655.10 or .20
E300 / 350 inc SD	95-07	Rear Brake Pad		0802.20
E300 / 350 inc SD	92-94	Front Brake Pad		0557.20
E300 / 350 inc SD	89-91	Front Brake Pad		0450.20
E300 / 350 inc SD	76-88	Front Brake Pad		0450.20
E450 Super Duty	08-12	Front Brake Pad		1328.20
E450 Super Duty	08-12	Rear Brake Pad		1330.20
E450 Super Duty	07	Front Brake Pad		0655.10 or .20
E450 Super Duty	07	Rear Brake Pad		0411.10 or .20
E450 Super Duty	03-06	Front Brake Pad		0655.10 or .20
E450 Super Duty	03-06	Rear Brake Pad		0655.10 or .20
E450 Super Duty	00	Front Brake Pad	RV Package	0655.10 or .20
E450 Super Duty	00	Rear Brake Pad	RV Package	0411.10 or .20
E550	02-06	Front Brake Pad		0777.10 or 0777.20
E550	02-06	Rear Brake Pad		0777.10 or 0777.20
*Rotor includes ABS ring / fits non ABS models				
FORD - MED DUTY TRUCK				
A850	96-98	Front Brake Pad	w/ Dayton 2.50 caliper	0224.10 or 0224.20
A850	96-98	Rear Brake Pad	w/ Dayton 2.50 caliper	0224.10 or 0224.20
A850	96-98	Front Brake Pad	w/ Dayton 2.88 caliper	0236.20
A850	96-98	Rear Brake Pad	w/ Dayton 2.88 caliper	0236.20
A950	96-98	Front Brake Pad	w/ Dayton 2.50 caliper	0224.10 or 0224.20
A950	96-98	Rear Brake Pad	w/ Dayton 2.50 caliper	0224.10 or 0224.20
A950	96-98	Front Brake Pad	w/ Dayton 2.88 caliper	0236.20
A950	96-98	Rear Brake Pad	w/ Dayton 2.88 caliper	0236.20
B600	84-94	Front Brake Pad	w/ Dayton 2.50 caliper	0224.10 or 0224.20
B600	84-94	Rear Brake Pad	w/ Dayton 2.50 caliper	0224.10 or 0224.20
B600	90-94	Front Brake Pad	w/ Dayton 2.88 caliper	0236.20
B600	90-94	Rear Brake Pad	w/ Dayton 2.88 caliper	0236.20
B700	84-94	Front Brake Pad	w/ Dayton 2.50 caliper	0224.10 or 0224.20
B700	84-94	Rear Brake Pad	w/ Dayton 2.50 caliper	0224.10 or 0224.20
B700	83-94	Front Brake Pad	w/ Dayton 2.88 caliper	0236.20
B700	83-94	Rear Brake Pad	w/ Dayton 2.88 caliper	0236.20
B800	95-98	Front Brake Pad	w/ Dayton 2.50 caliper	0224.10 or 0224.20
B800	95-98	Rear Brake Pad	w/ Dayton 2.50 caliper	0224.10 or 0224.20
B800	95-98	Front Brake Pad	w/ Dayton 2.88 caliper	0236.20
B800	95-98	Rear Brake Pad	w/ Dayton 2.88 caliper	0236.20
C600	84-86	Front Brake Pad	w/ Dayton 2.50 caliper	0224.10 or 0224.20
C600	84-86	Rear Brake Pad	w/ Dayton 2.50 caliper	0224.10 or 0224.20
C700	84-86	Front Brake Pad	w/ Dayton 2.50 caliper	0224.10 or 0224.20
C700	84-86	Rear Brake Pad	w/ Dayton 2.50 caliper	0224.10 or 0224.20
C700	83-86	Front Brake Pad	w/ Dayton 2.88 caliper	0236.20
C700	83-86	Rear Brake Pad	w/ Dayton 2.88 caliper	0236.20
C800	84-90	Front Brake Pad	w/ Dayton 2.50 caliper	0224.10 or 0224.20
C800	84-90	Rear Brake Pad	w/ Dayton 2.50 caliper	0224.10 or 0224.20
C800	83-90	Front Brake Pad	w/ Dayton 2.88 caliper	0236.20
C800	83-90	Rear Brake Pad	w/ Dayton 2.88 caliper	0236.20
F53 Stripped Chassis	08-11	Front Brake Pad	16,000 & 22,000lb GVW	1066.10
F53 Stripped Chassis	08-11	Rear Brake Pad	16,000 & 22,000lb GVW	1066.10



Pad Part Numbering System

WWW.XX

FMSI /
Pad
Shape

Compound

Status Key

P = Current Production Part.
 SO = Special Order. Limited stock may exist.
 DS = Deplete Stock.
 Limited stock may exist.
 Prices subject to change without notice.

BRAKE PADS MAKE/MODEL GUIDE				
Make / Model	Year	Front / Rear	Qualifier	PFC Part #
F53 Stripped Chassis	08-11	Front Brake Pad	24,000 & 26,000lb GVW w/ Bosch 66mm Piston Caliper	0786.10 or 0786.20
F53 Stripped Chassis	08-11	Rear Brake Pad	24,000 & 26,000lb GVW w/ Bosch 73mm Piston Caliper	0786.11 or 0786.21
F53 Stripped Chassis	99-05	Front Brake Pad	Stripped Chassis	0777.10 or 0777.20
F53 Stripped Chassis	99-05	Rear Brake Pad	Stripped Chassis	0777.10 or 0777.20
F53 Stripped Chassis	88-98	Front Brake Pad	Stripped Chassis	0411.10 or .20
F53 Stripped Chassis	88-98	Rear Brake Pad	Stripped Chassis	0411.10 or .20
F53 Motorhome RV	99-05	Front Brake Pad	Super Duty Chassis	0777.10 or 0777.20
F53 Motorhome RV	99-05	Rear Brake Pad	Super Duty Chassis	0777.10 or 0777.20
F53 Motorhome RV	88-98	Front Brake Pad	Super Duty Chassis	0411.10 or .20
F53 Motorhome RV	88-98	Rear Brake Pad	Super Duty Chassis	0411.10 or .20
F59 Stripped Chassis	08-11	Front Brake Pad	16,000 & 22,000lb GVW	1066.10
F59 Stripped Chassis	08-11	Rear Brake Pad	16,000 & 22,000lb GVW	1066.10
F59 Stripped Chassis	08-11	Front Brake Pad	24,000 & 26,000lb GVW w/ Bosch 66mm Piston Caliper	0786.10 or 0786.20
F59 Stripped Chassis	08-11	Rear Brake Pad	24,000 & 26,000lb GVW w/ Bosch 73mm Piston Caliper	0786.11 or 0786.21
F59 Stripped Chassis	88-98	Front Brake Pad	Super Duty Chassis	0411.10 or .20
F59 Stripped Chassis	88-98	Rear Brake Pad	Super Duty Chassis	0411.10 or .20
F650	09-10	Front Brake Pad		0769.10
F650	09-10	Front Brake Pad		0769.10
F650	04-08	Front Brake Pad	w/ Bosch 66mm Piston Caliper	0786.10 or 0786.20
F650	04-08	Front Brake Pad	w/ Bosch 73mm Piston Caliper	0786.11 or 0786.21
F650	04-08	Rear Brake Pad	w/ Bosch 66mm Piston Caliper	0786.10 or 0786.20
F650	04-08	Rear Brake Pad	w/ Bosch 73mm Piston Caliper	0786.11 or 0786.21
F650	99-03	Front Brake Pad	Dayton 4 Piston Caliper	0769.10
F650	99-03	Rear Brake Pad	Dayton 4 Piston Caliper	0769.10
F650	84-98	Rear Brake Pad	Dayton 2 Piston Caliper	0224.10 or 0224.20
F650	84-98	Rear Brake Pad	w/ 2.88" caliper	0236.20
F750	09-10	Front Brake Pad		0769.10
F750	09-10	Front Brake Pad		0769.10
F750	04-08	Front Brake Pad	w/ Bosch 66mm Piston Caliper	0786.10 or 0786.20
F750	04-08	Front Brake Pad	w/ Bosch 73mm Piston Caliper	0786.11 or 0786.21
F750	04-08	Rear Brake Pad	w/ Bosch 66mm Piston Caliper	0786.10 or 0786.20
F750	04-08	Rear Brake Pad	w/ Bosch 73mm Piston Caliper	0786.11 or 0786.21
F750	00-03	Front Brake Pad	Dayton 4 Piston Caliper	0769.10
F750	00-03	Rear Brake Pad	Dayton 4 Piston Caliper	0769.10
F750	00-03	Rear Brake Pad	Dayton 2 Piston Caliper	0224.10 or 0224.20
F750	84-98	Front Brake Pad	w/ Dayton 2.50 caliper	0224.10 or 0224.20
F750	84-98	Rear Brake Pad	w/ Dayton 2.50 caliper	0224.10 or 0224.20
F750	83-99	Front Brake Pad	w/ Dayton 2.88 caliper	0236.20
F750	83-99	Rear Brake Pad	w/ Dayton 2.88 caliper	0236.20
F900	85-98	Front Brake Pad	w/ Dayton 2.88 caliper	0236.20
F900	85-98	Front Brake Pad	w/ Dayton 2.50 caliper	0224.10 or 0224.20
600/6000B,C,F,LN series	88-99	Front Brake Pad	w/ Dayton 2.50 caliper	0224.10 or 0224.20
600/6000B,C,F,LN series	88-99	Rear Brake Pad	w/ Dayton 2.50 caliper	0224.10 or 0224.20
600/6000B,C,F,LN series	88-99	Front Brake Pad	w/ Dayton 2.88 caliper	0236.20
600/6000B,C,F,LN series	88-99	Rear Brake Pad	w/ Dayton 2.88 caliper	0236.20
700/7000B,C,F,LN series	88-99	Front Brake Pad	w/ Dayton 2.50 caliper	0224.10 or 0224.20
700/7000B,C,F,LN series	88-99	Rear Brake Pad	w/ Dayton 2.50 caliper	0224.10 or 0224.20
700/7000B,C,F,LN series	88-99	Front Brake Pad	w/ Dayton 2.88 caliper	0236.20
700/7000B,C,F,LN series	88-99	Rear Brake Pad	w/ Dayton 2.88 caliper	0236.20
800/8000,C,F,FT,L,LN,LS,LNT,LTS	89-99	Front Brake Pad	w/ Dayton 2.50 caliper	0224.10 or 0224.20
800/8000,C,F,FT,L,LN,LS,LNT,LTS	89-99	Rear Brake Pad	w/ Dayton 2.50 caliper	0224.10 or 0224.20
800/8000,C,F,FT,L,LN,LS,LNT,LTS	89-99	Front Brake Pad	w/ Dayton 2.88 caliper	0236.20
800/8000,C,F,FT,L,LN,LS,LNT,LTS	89-99	Rear Brake Pad	w/ Dayton 2.88 caliper	0236.20
800/8000,C,F,FT,L,LN,LS,LNT,LTS	89-99	Front Brake Pad	w/ Dayton 2.50 caliper	0224.10 or 0224.20
800/8000,C,F,FT,L,LN,LS,LNT,LTS	89-99	Rear Brake Pad	w/ Dayton 2.50 caliper	0224.10 or 0224.20
800/8000,C,F,FT,L,LN,LS,LNT,LTS	89-99	Front Brake Pad	w/ Dayton 2.88 caliper	0236.20
800/8000,C,F,FT,L,LN,LS,LNT,LTS	89-99	Rear Brake Pad	w/ Dayton 2.88 caliper	0236.20
FREIGHTLINER				
FL50	99-06	Front Brake Pad	w/ Bosch 66mm Piston Caliper	0786.10 or 0786.20



Pad Part Numbering System

WWW.XX

FMSI /
Pad
Shape

Compound

Status Key

P = Current Production Part.
 SO = Special Order. Limited stock may exist.
 DS = Deplete Stock.
 Limited stock may exist.
 Prices subject to change without notice.

BRAKE PADS MAKE/MODEL GUIDE				
Make / Model	Year	Front / Rear	Qualifier	PFC Part #
FL50	99-06	Rear Brake Pad	w/ Bosch 66mm Piston Caliper	0786.10 or 0786.20
FL50	99-06	Front Brake Pad	w/ Bosch 73mm Piston Caliper	0786.11 or 0786.21
FL50	99-06	Rear Brake Pad	w/ Bosch 73mm Piston Caliper	0786.11 or 0786.21
FL50	91-98	Front Brake Pad	w/ Bendix 3.38/2.60 caliper	0184.10 or 0184.20
FL50	91-98	Rear Brake Pad	w/ Bendix 3.38/2.60 caliper	0184.10 or 0184.20
FL50	91-98	Front Brake Pad	w/ Bendix 2.88 caliper	0225.10 or 0225.20
FL50	91-98	Rear Brake Pad	w/ Bendix 2.88 caliper	0225.10 or 0225.20
FL60	99-06	Front Brake Pad	w/ Bosch 66mm Piston Caliper	0786.10 or 0786.20
FL60	99-06	Rear Brake Pad	w/ Bosch 66mm Piston Caliper	0786.10 or 0786.20
FL60	99-06	Front Brake Pad	w/ Bosch 73mm Piston Caliper	0786.11 or 0786.21
FL60	99-06	Rear Brake Pad	w/ Bosch 73mm Piston Caliper	0786.11 or 0786.21
FL60	91-98	Front Brake Pad	w/ Bendix 2.88 caliper	0225.10 or 0225.20
FL60	91-98	Rear Brake Pad	w/ Bendix 2.88 caliper	0225.10 or 0225.20
FL60	91-98	Front Brake Pad	w/Bendix 3.36 w/o wear sensors	0184.10 or 0184.20
FL60	91-98	Rear Brake Pad	w/Bendix 3.36 w/o wear sensors	0184.10 or 0184.20
FL70	99-06	Front Brake Pad	w/ Bosch 66mm Piston Caliper	0786.10 or 0786.20
FL70	99-06	Rear Brake Pad	w/ Bosch 66mm Piston Caliper	0786.10 or 0786.20
FL70	99-06	Front Brake Pad	w/ Bosch 73mm Piston Caliper	0786.11 or 0786.21
FL70	99-06	Rear Brake Pad	w/ Bosch 73mm Piston Caliper	0786.11 or 0786.21
FL70	91-98	Front Brake Pad	w/ Bendix 2.88 caliper	0225.10 or 0225.20
FL70	91-98	Rear Brake Pad	w/ Bendix 2.88 caliper	0225.10 or 0225.20
FL70	91-98	Front Brake Pad	w/Bendix 3.36 w/o wear sensors	0184.10 or 0184.20
FL70	91-98	Rear Brake Pad	w/Bendix 3.36 w/o wear sensors	0184.10 or 0184.20
M2	11	Front Brake Pad	100 Series w/ Bosch 66mm Piston Caliper *	0786.10 or 0786.20
M2	11	Front Brake Pad	100 Series w/ Bosch 66mm Piston Caliper *	0786.10 or 0786.20
M2	03-07	Front Brake Pad	100 Series w/ Bosch 66mm Piston Caliper *	0786.10 or 0786.20
M2	03-07	Rear Brake Pad	100 Series w/ Bosch 66mm Piston Caliper *	0786.10 or 0786.20
M2	03-07	Front Brake Pad	100 Series w/ Bosch 73mm Piston Caliper *	0786.11 or 0786.21
M2	03-07	Rear Brake Pad	100 Series w/ Bosch 73mm Piston Caliper *	0786.11 or 0786.21
M2	03-07	Front Brake Pad	100 Series w/ Bosch 66mm Piston Caliper *	0786.10 or 0786.20
M2	03-07	Rear Brake Pad	100 Series w/ Bosch 66mm Piston Caliper *	0786.10 or 0786.20
M2	03-07	Front Brake Pad	100 Series w/ Bosch 73mm Piston Caliper *	0786.11 or 0786.21
M2	03-07	Rear Brake Pad	100 Series w/ Bosch 73mm Piston Caliper *	0786.11 or 0786.21
MB50	91-95	Front Brake Pad	w/Bendix 3.36 w/o wear sensors	0184.10 or 0184.20
MB50	91-95	Rear Brake Pad	w/Bendix 3.36 w/o wear sensors	0184.10 or 0184.20
MB50	91-95	Front Brake Pad	w/ Bendix 2.88 caliper	0225.10 or 0225.20
MB50	91-95	Rear Brake Pad	w/ Bendix 2.88 caliper	0225.10 or 0225.20
MB60	92-98	Front Brake Pad	w/ Bendix 2.88 caliper	0225.10 or 0225.20
MB60	92-98	Rear Brake Pad	w/ Bendix 2.88 caliper	0225.10 or 0225.20
MB60	92-98	Front Brake Pad	w/Bendix 3.36 w/o wear sensors	0184.10 or 0184.20
MB60	92-98	Rear Brake Pad	w/Bendix 3.36 w/o wear sensors	0184.10 or 0184.20
MB70	92-98	Front Brake Pad	w/ Bendix 2.88 caliper	0225.10 or 0225.20
MB70	92-98	Rear Brake Pad	w/ Bendix 2.88 caliper	0225.10 or 0225.20
MB70	92-98	Front Brake Pad	w/Bendix 3.36 w/o wear sensors	0184.10 or 0184.20
MB70	92-98	Rear Brake Pad	w/Bendix 3.36 w/o wear sensors	0184.10 or 0184.20
MT35/45 chassis	90-	Front Brake Pad	Grumman-Olsen delivery truck	0184.10 or 0184.20
MT35/45 chassis	90-	Rear Brake Pad	Grumman-Olsen delivery truck	0184.10 or 0184.20
MT35	05-09	Front Brake Pad	w/ Bosch 66mm Piston Caliper	0786.10 or 0786.20
MT35	05-09	Rear Brake Pad	w/ Bosch 66mm Piston Caliper	0786.10 or 0786.20
MT35	05-09	Front Brake Pad	w/ Bosch 73mm Piston Caliper	0786.11 or 0786.21
MT35	05-09	Rear Brake Pad	w/ Bosch 73mm Piston Caliper	0786.11 or 0786.21
MT45	05-09	Front Brake Pad	w/ Bosch 66mm Piston Caliper	0786.10 or 0786.20
MT45	05-09	Rear Brake Pad	w/ Bosch 66mm Piston Caliper	0786.10 or 0786.20
MT45	05-09	Front Brake Pad	w/ Bosch 73mm Piston Caliper	0786.11 or 0786.21
MT45	05-09	Rear Brake Pad	w/ Bosch 73mm Piston Caliper	0786.11 or 0786.21
MT55	05-09	Front Brake Pad	w/ Bosch 66mm Piston Caliper	0786.10 or 0786.20
MT55	05-09	Rear Brake Pad	w/ Bosch 66mm Piston Caliper	0786.10 or 0786.20
MT55	05-09	Front Brake Pad	w/ Bosch 73mm Piston Caliper	0786.11 or 0786.21
MT55	05-09	Rear Brake Pad	w/ Bosch 73mm Piston Caliper	0786.11 or 0786.21
Sprinter 2500	10-12	Front Brake Pad		1316.10
Sprinter 2500	10-12	Rear Brake Pad		1317.10
Sprinter 2500	02-05	Front Brake Pad	16" Wheels	1136.10
Sprinter 2500	02-05	Rear Brake Pad	16" Wheels	1006.10
Sprinter 2500	02-05	Rear Brake Pad	w/Wabco Calipers	1545.20



Pad Part Numbering System

WWW.XX

FMSI /
Pad
Shape

Compound

Status Key

P = Current Production Part.
 SO = Special Order. Limited stock may exist.
 DS = Deplete Stock.
 Limited stock may exist.
 Prices subject to change without notice.

BRAKE PADS MAKE/MODEL GUIDE				
Make / Model	Year	Front / Rear	Qualifier	PFC Part #
Sprinter 2500	04	Rear Brake Pad		0928.10
Sprinter 2500	02	Rear Brake Pad		0928.10
Sprinter 3500	10	Front Brake Pad		1268.10
Sprinter 3500	10-12	Rear Brake Pad		1318.10
Sprinter 3500	02-05	Rear Brake Pad	16" Wheels	1006.10
Sprinter 3500	02-05	Rear Brake Pad	DRW	1136.10
Sterling Acterra 5500	00-02	Front Brake Pad	w/ Bosch 66mm Piston caliper *	0786.10 or 0786.20
Sterling Acterra 5500	00-02	Rear Brake Pad	w/ Bosch 66mm Piston caliper *	0786.10 or 0786.20
Sterling Acterra 5500	00-02	Front Brake Pad	w/ Bosch 66mm Piston caliper *	0786.10 or 0786.20
Sterling Acterra 5500	00-02	Rear Brake Pad	w/ Bosch 73mm Piston Caliper *	0786.11 or 0786.21
Sterling Acterra 5500	00-02	Front Brake Pad	w/ Bosch 73mm Piston Caliper *	0786.11 or 0786.21
Sterling Acterra 5500	00-02	Rear Brake Pad	w/ Bosch 73mm Piston Caliper *	0786.11 or 0786.21
Sterling Acterra 6500	00-02	Front Brake Pad	w/ Bosch 66mm Piston Caliper *	0786.10 or 0786.20
Sterling Acterra 6500	00-02	Rear Brake Pad	w/ Bosch 66mm Piston Caliper *	0786.10 or 0786.20
Sterling Acterra 6500	00-02	Front Brake Pad	w/ Bosch 66mm Piston Caliper *	0786.10 or 0786.20
Sterling Acterra 6500	00-02	Rear Brake Pad	w/ Bosch 73mm Piston Caliper *	0786.11 or 0786.21
Sterling Acterra 6500	00-02	Front Brake Pad	w/ Bosch 73mm Piston Caliper *	0786.11 or 0786.21
Sterling Acterra 6500	00-02	Rear Brake Pad	w/ Bosch 73mm Piston Caliper *	0786.11 or 0786.21
Sterling Acterra 6500	00-02	Front Brake Pad	w/ Bosch 73mm Piston Caliper *	0786.11 or 0786.21
Sterling Acterra 6500	00-02	Rear Brake Pad	w/ Bosch 73mm Piston Caliper *	0786.11 or 0786.21
Sterling Acterra 7500	00-02	Front Brake Pad	w/ Bosch 66mm Piston Caliper *	0786.10 or 0786.20
Sterling Acterra 7500	00-02	Rear Brake Pad	w/ Bosch 66mm Piston Caliper *	0786.10 or 0786.20
Sterling Acterra 7500	00-02	Front Brake Pad	w/ Bosch 66mm Piston Caliper *	0786.10 or 0786.20
Sterling Acterra 7500	00-02	Rear Brake Pad	w/ Bosch 73mm Piston Caliper *	0786.11 or 0786.21
Sterling Acterra 7500	00-02	Front Brake Pad	w/ Bosch 73mm Piston Caliper *	0786.11 or 0786.21
Sterling Acterra 7500	00-02	Rear Brake Pad	w/ Bosch 73mm Piston Caliper *	0786.11 or 0786.21
W700 Custom Chassis	99-02	Front Brake Pad	w/ Bosch 66mm Piston caliper *	0786.10 or 0786.20
W700 Custom Chassis	99-02	Rear Brake Pad	w/ Bosch 66mm Piston caliper *	0786.10 or 0786.20
W700 Custom Chassis	99-02	Front Brake Pad	w/ Bosch 66mm Piston caliper *	0786.10 or 0786.20
W700 Custom Chassis	99-02	Rear Brake Pad	w/ Bosch 73mm Piston Caliper *	0786.11 or 0786.21
W700 Custom Chassis	99-02	Front Brake Pad	w/ Bosch 73mm Piston Caliper *	0786.11 or 0786.21
W700 Custom Chassis	99-02	Rear Brake Pad	w/ Bosch 73mm Piston Caliper *	0786.11 or 0786.21
W700 Custom Chassis	96-98	Front Brake Pad	w/ Bendix 3.38/2.60 caliper	0184.10 or 0184.20
W700 Custom Chassis	96-98	Rear Brake Pad	w/ Bendix 3.38/2.60 caliper	0184.10 or 0184.20
GEO				
Prism	93-97	Front Brake Pad		0562.20
Prism	90-92	Front Brake Pad		0424.20
GMC - VAN				
G10 / 1500	71-96	Front Brake Pad	1/2 ton van	0052.20
G20 / 2500	71-96	Front Brake Pad	3/4 ton van	0052.20
G30 / 3500	79-96	Front Brake Pad	1 ton van SRW	0153.20
G30 / 3500	79-96	Front Brake Pad	1 ton van DRW	0149.20
G30 / 3500	71-89	Front Brake Pad	1 ton van std brakes	0052.20
G30 / 3500	79-89	Front Brake Pad	1 ton van HD brakes 13" rr drum	0149.20
Safari Van	03-05	Front Brake Pad	2wd	0785.20
Safari Van	03-05	Rear Brake Pad	2wd	0792.20
Safari Van	91-00	Front Brake Pad	2wd	0052.20
Safari Van	90-00	Front Brake Pad	4wd	0369.20
Safari M Van	85-90	Front Brake Pad		0052.20
Savana 1500HD / G1500	13	Front Brake Pad		1363.20
Savana 1500HD / G1500	13	Rear Brake Pad		0974.20
Savana 1500 / G1500	09-11	Front Brake Pad		1363.20
Savana 1500 / G1500	09-11	Rear Brake Pad		0974.20
Savana 1500 / G1500	03-08	Front Brake Pad		0785.20
Savana 1500 / G1500	03-08	Rear Brake Pad		0974.20
Savana 1500 / G1500	96-02	Front Brake Pad		0369.20
Savana 2500 / G2500	10-13	Front Brake Pad		0784.20
Savana 2500 / G2500	10-13	Rear Brake Pad		0974.20
Savana 2500 / G2500	03-09	Front Brake Pad	7700, 8600 lb GVW	0784.20
Savana 2500 / G2500	03-09	Rear Brake Pad	7700, 8600 lb GVW	0974.20
Savana 2500 / G2500	03-06	Front Brake Pad	7200lb GVW	0785.20
Savana 2500 / G2500	03-06	Rear Brake Pad	7200lb GVW	0974.20
Savana 2500 / G2500	02	Front Brake Pad		0370.20
Savana 2500 / G2500	96-01	Front Brake Pad	7200lb GVW	0369.20
Savana 2500 / G2500	96-01	Front Brake Pad	7700, 8600 lb GVW	0370.20
Savana 3500 / G3500	13	Front Brake Pad	DRW	tba



Pad Part Numbering System

WWW.XX

FMSI /
Pad
Shape

Compound

Status Key

P = Current Production Part.
 SO = Special Order. Limited stock may exist.
 DS = Deplete Stock.
 Limited stock may exist.
 Prices subject to change without notice.

BRAKE PADS MAKE/MODEL GUIDE				
Make / Model	Year	Front / Rear	Qualifier	PFC Part #
Savana 3500 / G3500	13	Rear Brake Pad	DRW	1411.20
Savana 3500 / G3500	13	Front Brake Pad	Cutaway	0784.20
Savana 3500 / G3500	13	Rear Brake Pad	Cutaway	0974.20
Savana 3500 / G3500	11-12	Front Brake Pad	All	0784.20
Savana 3500 / G3500	11-12	Rear Brake Pad	exc 8600lb & 10,000lb Cutaways	0974.20
Savana 3500 / G3500	08-12	Rear Brake Pad	DRW & Cutaways	1411.20
Savana 3500 / G3500	09-10	Front Brake Pad	All	0784.20
Savana 3500 / G3500	09-10	Rear Brake Pad	SRW	0974.20
Savana 3500 / G3500	07-08	Front Brake Pad	8600 lb GVW	0784.20
Savana 3500 / G3500	03-08	Front Brake Pad	All	0784.20
Savana 3500 / G3500	03-08	Rear Brake Pad	7300 GVW w/ SRW	0974.20
Savana 3500 / G3500	03-08	Rear Brake Pad	DRW	0989.20
Savana 3500 / G3500	96-02	Front Brake Pad	SRW	0370.20
Savana 3500 / G3500	96-02	Front Brake Pad	DRW	0459.20
Savana G4500	09-11	Front Brake Pad		0784.20
Savana G4500	09-11	Rear Brake Pad		1411.20
GMC - Panel Truck				
L10	90-97	Front Brake Pad	mail truck	0154.20
P10	71-80	Front Brake Pad	1/2 ton panel van	0052.20
P20	79-89	Front Brake Pad	3/4 ton panel van 13"rr drum	0153.20
P20	79-89	Front Brake Pad	3/4 ton panel van 11"rr drum	0052.20
P20	71-78	Front Brake Pad	3/4 ton panel van	0052.20
P30	97-00	Front Brake Pad	1 ton panel van	0184.10 or 0184.20
P30	97-00	Rear Brake Pad	1 ton panel van	0184.10 or 0184.20
P30	76-96	Front Brake Pad	1 ton panel van 4 wheel rotor	0149.20
P30	76-96	Rear Brake Pad	1 ton panel van 4 wheel rotor	0149.20
P30	75-97	Front Brake Pad	1 ton panel van 13x3.5" rr drum	0149.20
P30	79-97	Front Brake Pad	1 ton panel van 13x2.5" rr drum	0153.20
P30	74-75	Front Brake Pad	1 ton panel van 13x2.5" rr drum	0052.20
P30	71-73	Front Brake Pad	1 ton panel van 178" wb	0149.20
P30	71-73	Front Brake Pad	1 ton panel van 158" wb	0052.20
P30	71-73	Front Brake Pad	1 ton panel van 15x4" rr drum	0052.20
P30	71-73	Front Brake Pad	1 ton panel van 13x2.5" rr drum	0052.20
GMC - LT TRUCK				
C10 / 1500	01-04	Front Brake Pad		0784.20
C10 / 1500	01-04	Rear Brake Pad		0785.20
C10 / 1500	92-99	Front Brake Pad	LD w/JB6 (Exc L65 Diesel)	0369.20
C10 / 1500	94-98	Front Brake Pad	HD w/ L65 Diesel	0370.20
C10 / 1500	88-91	Front Brake Pad	Std Brake w/ 117" & 131" Wheelbase	0368.20
C10 / 1500	88-91	Front Brake Pad	HD Brake w/ 155" WB (Extra Cab)	0369.20
C10 / 1500	71-87	Front Brake Pad		0052.20
C20 / 2500	11	Front Brake Pad		1411.20
C20 / 2500	11	Rear Brake Pad	w/ Light Duty Brakes	0785.20
C20 / 2500	11	Rear Brake Pad	w/ HD Brakes	1411.20
C20 / 2500	89-00	Front Brake Pad	HD w/JB7,JD7 Brake & 13" rear drum	0370.20
C20 / 2500	88-00	Front Brake Pad	LD w/ JB6, JD6 Brake & 11" rear drum	0369.20
C20 / 2500	79-87	Front Brake Pad	LD w/ JB6, JD6 Brake & 11" rear drum	0052.20
C20 / 2500	79-87	Front Brake Pad	HD w/JB7,JD7 Brake & 13" rear drum	0153.20
C20 / 2500	71-78	Front Brake Pad		0052.20
C30 / 3500	11	Front Brake Pad		1411.20
C30 / 3500	11	Rear Brake Pad		1411.20
C30 / 3500	92-99	Front Brake Pad	SRW	0370.20
C30 / 3500	00-01	Front Brake Pad	DRW w/rotor-rotor	0184.10 or 0184.20
C30 / 3500	00-01	Rear Brake Pad	DRW w/rotor-rotor	0184.10 or 0184.20
C30 / 3500	92-99	Front Brake Pad	DRW	0459.20
C30 / 3500	95-99	Front Brake Pad	Cab/Chassis w/rotor-rotor from VIN RJ107933	0184.10 or 0184.20
C30 / 3500	95-99	Rear Brake Pad	Cab/Chassis w/rotor-rotor from VIN RJ107933	0184.10 or 0184.20
C30 / 3500	91-95	Front Brake Pad	Cab/Chassis w/rotor-rotor to VIN RJ107933	0149.20
C30 / 3500	91-95	Rear Brake Pad	Cab/Chassis w/rotor-rotor to VIN RJ107933	0149.20
C30 / 3500	87-95	Front Brake Pad	HD DRW w/rotor-rotor JB8,JF9 brakes	0149.20
C30 / 3500	87-95	Rear Brake Pad	HD DRW w/rotor-rotor JB8,JF9 brakes	0149.20
C30 / 3500	88-91	Front Brake Pad	w/ 13x2.5" drum	0370.20
C30 / 3500	88-91	Front Brake Pad	w/ 13x3.5" drum	0459.20
C30 / 3500	79-87	Front Brake Pad	w/ 13x2.5" drum	0153.20



Pad Part Numbering System

WWW.XX

FMSI /
Pad
Shape

Compound

Status Key

P = Current Production Part.
SO = Special Order. Limited stock may exist.
DS = Deplete Stock.
Limited stock may exist.
Prices subject to change without notice.

BRAKE PADS MAKE/MODEL GUIDE				
Make / Model	Year	Front / Rear	Qualifier	PFC Part #
C30 / 3500	79-87	Front Brake Pad	w/ 13x3.5" drum	0149.20
C30 / 3500	74-78	Front Brake Pad	w/ HD Brakes	0149.20
C30 / 3500	71-78	Front Brake Pad	w/ Std Brakes	0052.20
Canyon	09-12	Front Brake Pad		1169.20
K10 / 1500 4wd	94-00	Front Brake Pad	Exc. L65 Diesel option	0369.20
K10 / 1500 4wd	94-98	Front Brake Pad	w/ HD - L65 Diesel	0370.20
K10 / 1500 4wd	92-93	Front Brake Pad	All	0369.20
K10 / 1500 4wd	88-91	Front Brake Pad	Std Brake w/ 117" & 131" Wheelbase	0368.20
K10 / 1500 4wd	88-91	Front Brake Pad	HD Brake w/ 155" WB (Extra Cab)	0369.20
K10 / 1500 4wd	71-87	Front Brake Pad		0052.20
K20 / 2500 4wd	11	Front Brake Pad		1411.20
K20 / 2500 4wd	11	Rear Brake Pad	w/ Light Duty Brakes	0785.20
K20 / 2500 4wd	11	Rear Brake Pad	w/ HD Brakes	1411.20
K20 / 2500 4wd	88-99	Front Brake Pad	8600 lb GVW & w/JD7 Diesel option	0370.20
K20 / 2500 4wd	89-99	Front Brake Pad	utility chassis	0370.20
K20 / 2500 4wd	88-99	Front Brake Pad	7200 lb GVW	0369.20
K20 / 2500 4wd	79-87	Front Brake Pad	w/ 11" rr drum	0052.20
K20 / 2500 4wd	79-87	Front Brake Pad	w/ 13" rr drum	0153.20
K20 / 2500 4wd	71-78	Front Brake Pad		0052.20
K30 / 3500 4wd	11	Front Brake Pad		1411.20
K30 / 3500 4wd	11	Rear Brake Pad		1411.20
K30 / 3500 4wd	90-99	Front Brake Pad	HD Brake - DRW &/or JB9 option	0459.20
K30 / 3500 4wd	88-99	Front Brake Pad	LD Brake - 9000 GVW w/ SRW	0370.20
K30 / 3500 4wd	77-86	Front Brake Pad		0149.20
Sierra Denali	08-10	Front Brake Pad		1363.20
Sierra Denali	08-10	Rear Brake Pad		1194.20
Sierra Denali	07	Front Brake Pad		1092.10
Sierra Denali	07	Rear Brake Pad	w/ 6.0L	0834.20
Sierra Denali	07	Rear Brake Pad	w/ 6.2L	1194.20
Sierra Denali	05-06	Front Brake Pad		1092.10
Sierra Denali	05-06	Rear Brake Pad		0834.20
Sierra Denali	02-04	Front Brake Pad		0785.20
Sierra Denali	02-04	Rear Brake Pad		0785.20
Sierra 1500	09-13	Front Brake Pad		1363.20
Sierra 1500	09-11	Rear Brake Pad		1194.20
Sierra 1500	07-08	Front Brake Pad	Ext Cab and Crew Cab	1092.10
Sierra 1500	05-08	Front Brake Pad	w/ drum rear	1092.10
Sierra 1500	05-07	Front Brake Pad	Hybrid	0785.20
Sierra 1500	05-07	Rear Brake Pad	Hybrid	0792.20
Sierra 1500	06-08	Front Brake Pad	Crew and ext Cab	1363.20
Sierra 1500	06-08	Rear Brake Pad	Crew and ext Cab	1194.20
Sierra 1500	05-06	Front Brake Pad	varies w/ gvw	0785.20
Sierra 1500	05-06	Rear Brake Pad	varies w/ gvw	0792.20
Sierra 1500	05-06	Front Brake Pad	w/ HD Crew Cab & 4whl steer	0785.20
Sierra 1500	05-06	Rear Brake Pad	w/ HD Crew Cab & 4whl steer	0834.20
Sierra 1500	05	Front Brake Pad	W/ HD Crew Cab & 4 whl steer	0784.20
Sierra 1500	05	Rear Brake Pad	W/ HD Crew Cab & 4 whl steer	0834.20
Sierra 1500	05-06	Front Brake Pad	w/ Ext Cab and Crew Cab	1092.10
Sierra 1500	03-04	Front Brake Pad	2 dr w/ 4whl steer also Crew Cab/ Extended Cab	0785.20
Sierra 1500	03-04	Rear Brake Pad	2 dr w/ 4whl steer also Crew Cab/ Extended Cab	0834.20
Sierra 1500	01-02	Front Brake Pad	2wd	0785.20
Sierra 1500	01-02	Rear Brake Pad	2wd	0792.20
Sierra 1500	01-02	Front Brake Pad	4wd	0784.20
Sierra 1500	01-02	Rear Brake Pad	4wd	0785.20
Sierra 1500	99-00	Front Brake Pad	2 & 4WD w/ dual piston caliper	0785.20
Sierra 1500	99-00	Rear Brake Pad	2 & 4WD w/ dual piston caliper	0792.20
Sierra 1500HD	00-07	Front Brake Pad	2 & 4WD w/ HD Brake	0784.20
Sierra 1500HD	00-07	Rear Brake Pad	2 & 4WD w/ HD Brake	0785.20
Sierra 2500HD / 2500	12-13	Front Brake Pad		tba
Sierra 2500HD / 2500	11	Front Brake Pad		1411.20
Sierra 2500HD / 2500	11-13	Rear Brake Pad		1411.20
Sierra 2500HD / 2500	09-10	Front Brake Pad	2 & 4WD	0784.20
Sierra 2500HD / 2500	09-10	Rear Brake Pad	2 & 4WD	0785.20
Sierra 2500HD / 2500	00-08	Front Brake Pad		0784.20



Pad Part Numbering System

WWW.XX

FMSI /
Pad
Shape

Compound

Status Key

P = Current Production Part.
 SO = Special Order. Limited stock may exist.
 DS = Deplete Stock.
 Limited stock may exist.
 Prices subject to change without notice.

BRAKE PADS MAKE/MODEL GUIDE

Make / Model	Year	Front / Rear	Qualifier	PFC Part #
Sierra 2500HD / 2500	00-08	Rear Brake Pad		0785.20
Sierra 3500HD / 3500	12-13	Front Brake Pad		tba
Sierra 3500HD / 3500	11	Front Brake Pad		1411.20
Sierra 3500HD / 3500	11-13	Rear Brake Pad		1411.20
Sierra 3500HD / 3500	07-10	Front Brake Pad	12,000lb GVW	0784.20
Sierra 3500HD / 3500	07-10	Rear Brake Pad	12,000lb GVW	0909.20
Sierra 3500HD / 3500	03-10	Front Brake Pad	9900lb GVW	0784.20
Sierra 3500HD / 3500	03-10	Rear Brake Pad	9900lb GVW	0785.20
Sierra 3500HD / 3500	02-05	Front Brake Pad		0784.20
Sierra 3500HD / 3500	02-05	Rear Brake Pad		0909.20
Sierra 3500HD / 3500	01-02	Front Brake Pad	Conventional cab	0784.20
Sierra 3500HD / 3500	00	Front Brake Pad	except 4WD w/DRW	0370.20
Sierra 3500HD / 3500	00	Front Brake Pad	4WD w/DRW	0459.20
Sierra 3500 Classic	00-02	Front Brake Pad	Cab Chassis Vehicles DRW	0184.10 or 0184.20
Sierra 3500 Classic	00-02	Rear Brake Pad	Cab Chassis Vehicles DRW	0184.10 or 0184.20
Sonoma T15	03-05	Front Brake Pad	4 WD	0726.20
Sonoma T15	03-05	Rear Brake Pad	4 WD	0729.20
Sonoma	04-05	Front Brake Pad	2 WD	0726.20
Sonoma	04-05	Rear Brake Pad	2 WD	0729.20
Sonoma	98-05	Front Brake Pad	w/ rear rotor 4 WD	0726.20
Sonoma	98-05	Rear Brake Pad	w/ rear rotor 4 WD	0729.20
Sonoma	91-03	Front Brake Pad	w/ rear drum	0154.20
S15/T15	82-93	Front Brake Pad	w/ rear drum	0154.20
GMC - SUV				
Acadia	07-12	Front Brake Pad		1169.20
Acadia	11-12	Rear Brake Pad		1507.20
Acadia	08-10	Rear Brake Pad		0883.20
Caballero	78-87	Front Brake Pad		0154.20
Envoy	06-09	Front Brake Pad		1169.20
Envoy	06-09	Rear Brake Pad	inc XL and XUV	0883.20
Envoy	02-05	Front Brake Pad	inc XL and XUV	0882.20
Envoy	02-05	Rear Brake Pad	inc XL and XUV	0883.20
Envoy	98-01	Front Brake Pad		0726.20
Envoy	98-01	Rear Brake Pad		0729.20
Jimmy Mid Size	98-05	Front Brake Pad	2 and 4 WD	0726.20
Jimmy Mid Size	98-05	Rear Brake Pad	2 and 4 WD	0729.20
Jimmy Full Size	97-01	Front Brake Pad		0726.20
Jimmy Full Size	97-01	Rear Brake Pad		0729.20
Jimmy Full Size	92-94	Front Brake Pad		0369.20
Jimmy Full Size	71-91	Front Brake Pad		0052.20
Suburban 1500 2wd	94-00	Front Brake Pad	Gas Eng. JB6 Vacuum Power Brakes	0369.20
Suburban 1500 2wd	94-00	Front Brake Pad	Diesel Eng. JD6 w/Hydraulic Power Assist	0370.20
Suburban 1500 2wd	92-93	Front Brake Pad		0369.20
Suburban 1500 2wd	71-91	Front Brake Pad		0052.20
Suburban 1500 4wd	92-00	Front Brake Pad	Gas Eng. JB6 Vacuum Power Brakes	0369.20
Suburban 1500 4wd	94-00	Front Brake Pad	Diesel Eng. JD6 w/Hydraulic Power Assist	0370.20
Suburban 1500 4wd	92-93	Front Brake Pad	Diesel Eng. JD6 w/Hydraulic Power Assist	0369.20
Suburban 1500 4wd	71-91	Front Brake Pad		0052.20
Suburban 2500 2wd	92-99	Front Brake Pad		0370.20
Suburban 2500 2wd	88-91	Front Brake Pad		0153.20
Suburban 2500 2wd	71-87	Front Brake Pad		0052.20
Suburban 2500 4wd	92-99	Front Brake Pad		0370.20
Suburban 2500 4wd	88-91	Front Brake Pad		0153.20
Suburban 2500 4wd	71-87	Front Brake Pad		0052.20
Yukon	08-13	Front Brake Pad		1363.20
Yukon	08-13	Rear Brake Pad		1194.20
Yukon	07			1092.10
Yukon	07			1194.20
Yukon	05-06	Front Brake Pad	w/ 4wd	0785.20
Yukon	03-06	Front Brake Pad	w/ 2wd	0785.20
Yukon	03-06	Rear Brake Pad	w/ 2wd	0974.20
Yukon	03-06	Front Brake Pad	w/ 4wd and limited slip axle	0785.20
Yukon	03-06	Rear Brake Pad	w/ 4wd and limited slip axle	0834.20
Yukon	00-02	Front Brake Pad	w/ 4wd w/o limited slip axle	0785.20



Pad Part Numbering System

WWW.XX

FMSI /
Pad
Shape

Compound

Status Key

P = Current Production Part.
 SO = Special Order. Limited stock may exist.
 DS = Deplete Stock.
 Limited stock may exist.
 Prices subject to change without notice.

BRAKE PADS MAKE/MODEL GUIDE				
Make / Model	Year	Front / Rear	Qualifier	PFC Part #
Yukon	00-02	Rear Brake Pad	w/ 4wd w/o limited slip axle	0792.20
Yukon	95-00	Front Brake Pad		0369.20
Yukon	98-00	Front Brake Pad	Police HD	0370.20
Yukon XL 1500	08-13	Front Brake Pad		1363.20
Yukon XL 1500	08-13	Rear Brake Pad		1194.20
Yukon XL 1500	07	Front Brake Pad		1092.10
Yukon XL 1500	07	Rear Brake Pad		1194.20
Yukon XL 1500	05-06	Front Brake Pad		0785.20
Yukon XL 1500	03-06	Front Brake Pad	optional	0785.20
Yukon XL 1500	03-06	Rear Brake Pad	optional	0974.20
Yukon XL 1500	00-03	Front Brake Pad		0785.20
Yukon XL 1500	00-03	Rear Brake Pad		0834.20
Yukon XL 1500	00	Front Brake Pad	single piston caliper	0369.20
Yukon XL 2500	07-11	Front Brake Pad		0784.20
Yukon XL 2500	07-11	Rear Brake Pad		0785.20
Yukon XL 2500	05-06	Front Brake Pad		0785.20
Yukon XL 2500	05-06	Rear Brake Pad		0785.20
Yukon XL 2500	03-04	Front Brake Pad		0784.20
Yukon XL 2500	03-04	Rear Brake Pad		0792.20
Yukon XL 2500	00-02	Front Brake Pad		0784.20
Yukon XL 2500	00-02	Rear Brake Pad		0785.20
GMC - MED DUTY TRUCK				
B60, B6000	83-97	Front Brake Pad	w/ Dayton 2.50 caliper	0224.10 or 0224.20
B60, B6000	83-97	Rear Brake Pad	w/ Dayton 2.50 caliper	0224.10 or 0224.20
B60, B6000	83-97	Front Brake Pad	w/ Bendix 2.88 caliper	0225.10 or 0225.20
B60, B6000	83-97	Rear Brake Pad	w/ Bendix 2.88 caliper	0225.10 or 0225.20
B6500	96-02	Front Brake Pad	w/ Dayton 4 piston rear	0225.10 or 0225.20
B6500	96-02	Rear Brake Pad	w/ Dayton 4 piston rear	0769.10
B6500	96-02	Front Brake Pad	w/ Dayton 4 piston F & R	0769.10
B6500	96-02	Rear Brake Pad	w/ Dayton 4 piston F & R	0769.10
B70,B7000	83-97	Front Brake Pad	w/ Bendix 2.88 caliper	0225.10 or 0225.20
B70,B7000	83-97	Rear Brake Pad	w/ Bendix 2.88 caliper	0225.10 or 0225.20
B7T Bus	93-02	Front Brake Pad	w/ Bendix Calipers	0225.10 or 0225.20
B7T Bus	93-02	Rear Brake Pad	w/ Bendix Calipers	0225.10 or 0225.20
B7T Bus	93-02	Front Brake Pad	w/ Dayton Calipers	0224.10 or 0224.20
B7T Bus	93-02	Rear Brake Pad	w/ Dayton Calipers	0224.10 or 0224.20
C40/C4000	88-97	Front Brake Pad	w/Bendix 3.88 caliper	0184.10 or 0184.20
C40/C4000	88-97	Front Brake Pad	w/Dayton 2.50 caliper	0225.10 or 0225.20
C4500 Topkick	03-10	Front Brake Pad	2 Piston Caliper	1010.10
C4500 Topkick	03-10	Rear Brake Pad	2 Piston Caliper w/o drum in hat rear rotor	1010.10
C4500 Topkick	03-10	Rear Brake Pad	2 Piston Caliper w/ drum in hat rear rotor	1064.10
C4500 Topkick	03-10	Front Brake Pad	4 Piston Caliper	0769.10
C4500 Topkick	03-10	Rear Brake Pad	4 Piston Caliper	0769.10
C50/C500	96-02	Front Brake Pad	w/ Dayton 4 piston rear	0225.10 or 0225.20
C50/C500	96-02	Rear Brake Pad	w/ Dayton 4 piston rear	0769.10
C50/C500	96-02	Front Brake Pad	w/ Dayton 4 piston F & R	0769.10
C50/C500	96-02	Rear Brake Pad	w/ Dayton 4 piston F & R	0769.10
C5500 Topkick	03-10	Front Brake Pad	4 piston Caliper	0769.10
C5500 Topkick	03-10	Rear Brake Pad	4 piston Caliper	0769.10
C5500 Topkick	03-10	Front Brake Pad	2 piston caliper	1010.10
C5500 Topkick	03-10	Rear Brake Pad	2 piston caliper	1010.10
C5500 Topkick	03-10	Front Brake Pad	w/o drum in hat rear rotor and 2 piston caliper	1010.10
C5500 Topkick	03-10	Rear Brake Pad	w/o drum in hat rear rotor and 2 piston caliper	1010.10
C5500 Topkick	03-10	Rear Brake Pad	w/ drum in hat rear rotor	1064.10
C5H042 Topkick	90-02	Front Brake Pad		0224.10 or 0224.20
C5H042 Topkick	90-02	Rear Brake Pad		0224.10 or 0224.20
C6	03-04	Front Brake Pad	Models w/o DIH PB	1010.10
C6	03-04	Rear Brake Pad	Models w/o DIH PB	1010.10
C6	03-04	Front Brake Pad	Models w DIH PB	1010.10
C6	03-04	Rear Brake Pad	Models w DIH PB	1064.10
C60,C6000	91-97	Front Brake Pad	w/ Dayton 2.50 caliper	0224.10 or 0224.20
C60,C6000	91-97	Rear Brake Pad	w/ Dayton 2.50 caliper	0224.10 or 0224.20
C60,C6000	86-97	Front Brake Pad	w/ Dayton 2.50 caliper	0224.10 or 0224.20
C60,C6000	86-97	Rear Brake Pad	w/ Dayton 2.50 caliper	0224.10 or 0224.20



Pad Part Numbering System

WWW.XX

FMSI /
Pad
Shape

Compound

Status Key

P = Current Production Part.
 SO = Special Order. Limited stock may exist.
 DS = Deplete Stock.
 Limited stock may exist.
 Prices subject to change without notice.

BRAKE PADS MAKE/MODEL GUIDE				
Make / Model	Year	Front / Rear	Qualifier	PFC Part #
C60,C6000	86-90	Front Brake Pad	w/ Bendix 2.88 caliper	0225.10 or 0225.20
C60,C6000	86-90	Rear Brake Pad	w/ Bendix 2.88 caliper	0225.10 or 0225.20
C60,C6000	88-89	Front Brake Pad	w/Bendix 3.36 w/o wear sensors	0184.10 or 0184.20
C60,C6000	88-89	Rear Brake Pad	w/Bendix 3.36 w/o wear sensors	0184.10 or 0184.20
C6500 Topkick	03-10	Front Brake Pad		0769.10
C6500 Topkick	03-10	Rear Brake Pad		0769.10
C6500 Topkick	90-02	Front Brake Pad	w/ Bendix Caliper	0225.10 or 0225.20
C6500 Topkick	90-02	Front Brake Pad	w/ Dayton Caliper	0224.10 or 0224.20
C6500 Topkick	96-02	Rear Brake Pad	w/ 4 Piston Caliper	0769.10
C6500 Topkick	90-02	Rear Brake Pad	w/ Bendix Caliper	0225.10 or 0225.20
C6500 Topkick	90-02	Rear Brake Pad	w/ Dayton Caliper	0224.10 or 0224.20
C6500 / C7500 Topkick	03-10	Front Brake Pad	4 piston Caliper	1032.10
C6500 / C7500 Topkick	03-10	Rear Brake Pad	4 piston Caliper	1032.10
C6500 / C7500 Topkick	03-06	Front Brake Pad	w/ DIH PB	1010.10
C6500 / C7500 Topkick	03-09	Rear Brake Pad	10 Bolt	1010.10
C6500 / C7500 Topkick	09	Rear Brake Pad	5 Bolt	1064.10
C6H042 Topkick	03-09	Front Brake Pad		0769.10
C6H042 Topkick	03-09	Rear Brake Pad		0769.10
C6H042 Topkick	90-02	Front Brake Pad	w/ Bendix Calipers	0225.10 or 0225.20
C6H042 Topkick	90-02	Rear Brake Pad	w/ Bendix Calipers	0225.10 or 0225.20
C6H042 Topkick	90-02	Front Brake Pad	w/ Dayton Calipers	0224.10 or 0224.20
C6H042 Topkick	90-02	Rear Brake Pad	w/ Dayton Calipers	0224.10 or 0224.20
C6H042 Topkick	95-02	Rear Brake Pad	w/ Dayton 4 piston Calipers	0769.10
C70,C7000	98-00	Front Brake Pad	w/ Dayton 4 piston F & R	0769.10
C70,C7000	98-00	Rear Brake Pad	w/ Dayton 4 piston F & R	0769.10
C70,C7000	83-97	Front Brake Pad	w/ Bendix 2.88 caliper	0225.10 or 0225.20
C70,C7000	83-97	Rear Brake Pad	w/ Bendix 2.88 caliper	0225.10 or 0225.20
C7500 Topkick	03-10	Front Brake Pad		0769.10
C7500 Topkick	03-10	Rear Brake Pad		0769.10
C7500 Topkick	90-02	Front Brake Pad	w/ Bendix Caliper	0225.10 or 0225.20
C7500 Topkick	90-02	Front Brake Pad	w/ Dayton Caliper	0224.10 or 0224.20
C7500 Topkick	96-02	Rear Brake Pad	w/ 4 Piston Caliper	0769.10
C7500 Topkick	90-02	Rear Brake Pad	w/ Bendix Caliper	0225.10 or 0225.20
C7500 Topkick	90-02	Rear Brake Pad	w/ Dayton Caliper	0224.10 or 0224.20
Motor Home	97-01	Front Brake Pad	w/ Bosch caliper	0184.10 or 0184.20
Motor Home	97-01	Rear Brake Pad	w/ Bosch caliper	0184.10 or 0184.20
Motor Home	74-97	Front Brake Pad	w/ Delco caliper inc w/rr rotor	0149.20
Motor Home	74-97	Rear Brake Pad	w/ Delco caliper inc w/rr rotor	0149.20
Motor Home	71-73	Front Brake Pad		0052.20
P60	83-97	Front Brake Pad	w/ Dayton 2.50 caliper	0224.10 or 0224.20
P60	83-97	Rear Brake Pad	w/ Dayton 2.50 caliper	0224.10 or 0224.20
P60	88-97	Front Brake Pad	w/ Bendix 2.88 caliper	0225.10 or 0225.20
P60	88-97	Rear Brake Pad	w/ Bendix 2.88 caliper	0225.10 or 0225.20
P60	88-02	Front Brake Pad	w/Bendix 3.36 w/o wear sensors	0184.10 or 0184.20
P60	88-02	Rear Brake Pad	w/Bendix 3.36 w/o wear sensors	0184.10 or 0184.20
T5500	00-02	Front Brake Pad	w/ Dayton 4 piston rear	0225.10 or 0225.20
T5500	00-02	Rear Brake Pad	w/ Dayton 4 piston rear	0769.10
T5500	00-02	Front Brake Pad	w/ Dayton 4 piston F & R	0769.10
T5500	00-02	Rear Brake Pad	w/ Dayton 4 piston F & R	0769.10
T5500/6500/7500/8500	03-10	Front Brake Pad		0769.10
T5500/6500/7500/8500	03-10	Front Brake Pad		0769.10
T5500/6500/7500/8500	03/96-02	Front Brake Pad	11000lb w/ Bendix Caliper	0225.10 or 0225.20
T5500/6500/7500/8500	03/96-02	Rear Brake Pad	11000lb w/ Bendix Caliper	0225.10 or 0225.20
T5500/6500/7500/8500	03/96-02	Front Brake Pad	8100lb w/ Dayton Caliper	0224.10 or 0224.20
T5500/6500/7500/8500	03/96-02	Rear Brake Pad	8100lb w/ Dayton Caliper	0224.10 or 0224.20
W3500	10/97-09	Front Brake Pad	w/ gas engine 10000-14000gvw	0825.20
W3500	97-07	Front Brake Pad	w/ gas engine 14001-16000gvw	0827.20
W3500	95-9/97	Front Brake Pad	w/ gas engine	0546.20
W3500	1/98-07	Front Brake Pad	w/ diesel engine	0825.20
W3500	95-12/97	Front Brake Pad	w/ diesel engine	0546.20
W4 Series	99-05	Front Brake Pad	w/ gas engine	0827.20
W4 Series	08/87-09/97	Front Brake Pad	w/ gas engine	0546.20
W4 Series	08/87-09/97	Front Brake Pad	w/ diesel engine	0546.20
W4,W400,W4000	98-01	Front Brake Pad	Gas eng. Class 3; 10,001-14,000 lb. GVW	0825.20



Pad Part Numbering System

WWW.XX

FMSI /
Pad
Shape

Compound

Status Key

P = Current Production Part.
SO = Special Order. Limited stock may exist.
DS = Deplete Stock.
Limited stock may exist.
Prices subject to change without notice.

BRAKE PADS MAKE/MODEL GUIDE				
Make / Model	Year	Front / Rear	Qualifier	PFC Part #
W4,W400,W4000	87-97	Front Brake Pad	w/front rotor	0546.20
W4500 Tiltmaster	98-08	Front Brake Pad	w/ diesel engine	0825.20
W4500 Tiltmaster	99-08	Front Brake Pad	w/ gas engine	0827.20
W4500 Tiltmaster	95-9/97	Front Brake Pad	w/ gas engine	0546.20
W4500 Tiltmaster	95-12/97	Front Brake Pad	w/ diesel engine	0546.20
W5500 inc HD	00-08	Front Brake Pad		0827.20
On medium duty check caliper/axles for correct combination of parts				
GRUMMAN - OLSON				
Mail Delivery L10	90-97	Front Brake Pad	Mail delivery truck GMC chassis	0154.20
Route Star P42	00-01	Front Brake Pad	Delivery truck Ford chassis	0777.10 or 0777.20
Route Star P42	00-01	Rear Brake Pad	Delivery truck Ford chassis	0777.10 or 0777.20
Route Star MT35	All	Front Brake Pad	Delivery truck Freightliner chassis	0184.10 or 0184.20
Route Star MT35	All	Rear Brake Pad	Delivery truck Freightliner chassis	0184.10 or 0184.20
Route Star MT55	00-01	Front Brake Pad	w/ Bosch Pinslider caliper *	0786.10 or 0786.20
Route Star MT55	00-01	Rear Brake Pad	w/ Bosch Pinslider caliper *	0786.10 or 0786.20
Route Star MT55	00-01	Front Brake Pad	w/ Bosch Pinslider caliper *	0786.10 or 0786.20
Route Star MT55	00-01	Rear Brake Pad	w/ Bosch Pinslider caliper *	0786.11 or 0786.21
*To determine proper part: 0786.10=66mm caliper / 0786.11=73mm caliper				
HINO				
145	03-08	Front Brake Pad	w/ 4 piston caliper	0769.10
145	03-08	Rear Brake Pad	w/ 4 piston caliper	0769.10
145	03-08	Front Brake Pad	w/ 2 piston caliper	1062.10
145	03-08	Rear Brake Pad	w/ 2 piston caliper	1062.10
165	03-08	Front Brake Pad	w/ 4 piston caliper	0769.10
165	03-08	Rear Brake Pad	w/ 4 piston caliper	0769.10
165	03-08	Front Brake Pad	w/ 2 piston caliper	1062.10
165	03-08	Rear Brake Pad	w/ 2 piston caliper	1062.10
185	02-08	Front Brake Pad	w/ 4 piston caliper, 18K GVW	0769.10
185	02-08	Rear Brake Pad	w/ 4 piston caliper, 18K GVW	0769.10
185	05	Front Brake Pad	some models	1062.10
185	05	Rear Brake Pad	some models	1062.10
238	07-11	Front Brake Pad	w/ Wear Sensor	1032.10
238	07-11	Rear Brake Pad	w/ Wear Sensor	1032.10
238	07-11	Front Brake Pad	w/o Wear Sensor	0769.10
238	07-11	Rear Brake Pad	w/o Wear Sensor	0769.10
238	02-06	Front Brake Pad	inc 238LP, 23K GVW	0769.10
238	02-06	Rear Brake Pad	inc 238LP, 23K GVW	0769.10
258LP	07-11	Front Brake Pad	w/o Wear Sensor	0769.10
258LP	07-11	Rear Brake Pad	w/o Wear Sensor	0769.10
258LP	07-11	Front Brake Pad	w/ Wear Sensor	1032.10
258LP	07-11	Rear Brake Pad	w/ Wear Sensor	1032.10
258LP	02-06	Rear Brake Pad	inc 258LP 25,5K gvw	0769.10
258LP	02-06	Front Brake Pad	inc 258LP 25,5K gvw	0769.10
268	07-12	Front Brake Pad	w/o Wear Sensor	0769.10
268	07-12	Rear Brake Pad	w/o Wear Sensor	0769.10
268	07-12	Front Brake Pad	w/ Wear Sensor	1032.10
268	07-12	Rear Brake Pad	w/ Wear Sensor	1032.10
268	02-06	Rear Brake Pad	inc 268A	0769.10
268	02-06	Front Brake Pad	inc 268A	0769.10
338	03-11	Rear Brake Pad		0769.10
338	03-11	Front Brake Pad		0769.10
HONDA				
Accord	08-10	Front Brake Pad	EX	0787.20
Accord	07	Front Brake Pad	2 Door Manuel Trans	0787.20
Accord	07	Rear Brake Pad	2 Door Manuel Trans	0537.20
Accord	06	Front Brake Pad	EX-L 6MT	0787.20
Accord	06	Rear Brake Pad	EX-L 6MT	0537.20
Accord	03-05	Front Brake Pad	EX 6 cyl w/ Man. Trans.	0787.20
Accord	03-05	Rear Brake Pad	4 Cyl	0537.20
Accord	03-05	Rear Brake Pad	6 Cyl	0537.20
Accord	86-89	Front Brake Pad	DX & LX	0334.20
Accord	84-85	Front Brake Pad		0273.20
Accord Coupe	00-02	Front Brake Pad	w/NISSIN Frt. caliper	0503.20



Pad Part Numbering System

WWW.XX

FMSI /
Pad
Shape

Compound

Status Key

P = Current Production Part.
 SO = Special Order. Limited stock may exist.
 DS = Deplete Stock.
 Limited stock may exist.
 Prices subject to change without notice.

BRAKE PADS MAKE/MODEL GUIDE				
Make / Model	Year	Front / Rear	Qualifier	PFC Part #
Accord Coupe	00-02	Rear Brake Pad	w/NISSIN Frt. caliper	0537.20
Accord Coupe	93-99	Front Brake Pad	w/ Disc rear, Akebono Frt Caliper.	0465.20
Accord Coupe	93-99	Rear Brake Pad	w/ Disc rear, Akebono Frt Caliper.	0537.20
Accord Coupe	90-92	Rear Brake Pad	w/NISSIN Frt. caliper	0537.20
Accord Coupe	88-89	Front Brake Pad	LXi	0409.20
Accord Coupe	88-89	Front Brake Pad	DX	0334.20
Accord Sedan	95-02	Front Brake Pad	6 Cyl w/NISSIN Frt. caliper	0503.20
Accord Sedan	95-02	Rear Brake Pad	6 Cyl w/NISSIN Frt. caliper	0537.20
Accord Sedan	90-02	Front Brake Pad	4 Cyl w/AKEBONO or AMBRAKE Frt. caliper	0465.20
Accord Sedan	90-02	Rear Brake Pad	4 Cyl w/AKEBONO or AMBRAKE Frt. caliper	0537.20
Accord Sedan	90-93	Rear Brake Pad	4 & 6 Cyl w/NISSIN Frt. caliper	0537.20
Accord Sedan	88-89	Front Brake Pad	SEi & LXi	0409.20
Accord Wagon	91-97	Front Brake Pad		0503.20
Accord Wagon	91-97	Rear Brake Pad		0537.20
Civic	12	Rear Brake Pad	EX, Si	0537.20
Civic	08-11	Front Brake Pad	EX	0465.21
Civic	08-12	Rear Brake Pad	inc EX, SI and 4-door	0537.20
Civic	06	Rear Brake Pad	Coupe and Sedan inc SI	0537.20
Civic Coupe	01-05	Front Brake Pad		0465.21
Civic Coupe	03-07	Rear Brake Pad	Si all	0537.20
Civic Coupe	03	Front Brake Pad	Si	0465.21
Civic Coupe	03	Rear Brake Pad	Si	0537.20
Civic Coupe	99-00	Front Brake Pad	w/rear drums except EX	0273.20
Civic Coupe	96-00	Front Brake Pad	Si	0465.21
Civic Coupe	93-99	Front Brake Pad	DX & HX	0273.20
Civic Coupe	96-01	Front Brake Pad	EX	0465.21
Civic Coupe	94-95	Front Brake Pad	EX w/ ABS (NISSIN caliper)	0617.20
Civic Coupe	94-95	Front Brake Pad	EX w/o ABS (NISSIN caliper)	0621.20
Civic Coupe	93	Front Brake Pad	EX, EX-S (NISSIN caliper)	0621.20
Civic CRX	90-92	Front Brake Pad	Si (NISSIN caliper)	0373.20
Civic CRX	88-89	Front Brake Pad	Si	0273.20
Civic CRX	88-91	Front Brake Pad	DX	0273.20
Civic CRZ	11-12	Rear Brake Pad		0537.20
Civic Del Sol	96-97	Front Brake Pad	VTEC Eng. (NISSIN caliper)	0617.20
Civic Del Sol	94-95	Front Brake Pad	VTEC Eng. (NISSIN caliper)	0621.20
Civic Del Sol	96-97	Front Brake Pad	S, Si	0273.20
Civic Del Sol	95	Front Brake Pad	Si w/ABS (NISSIN caliper)	0621.20
Civic Del Sol	93-95	Front Brake Pad	S, Si w/o ABS	0273.20
Civic Hatchback	88-00	Front Brake Pad	All w/rear drum	0273.20
Civic Hatchback	94-95	Front Brake Pad	Si w/ ABS (NISSIN caliper)	0617.20
Civic Sedan	01-03	Front Brake Pad		0465.21
Civic Sedan	97-00	Front Brake Pad	Exc. EX models	0273.20
Civic Sedan	94-96	Front Brake Pad	Exc. EX & LX models	0273.20
Civic Sedan	88-93	Front Brake Pad	Exc. EX models	0273.20
Civic Sedan	96	Front Brake Pad	LX w/ABS manual trans	0273.20
Civic Sedan	96	Front Brake Pad	LX w/ABS automatic trans	0465.21
Civic Sedan	94-95	Front Brake Pad	LX w/ ABS (NISSIN caliper)	0617.20
Civic Sedan	94-95	Front Brake Pad	LX w/o ABS	0273.20
Civic Sedan	96-00	Front Brake Pad	EX	0465.21
Civic Sedan	94-95	Front Brake Pad	EX w/ ABS (NISSIN caliper)	0617.20
Civic Sedan	90-93	Front Brake Pad	EX (NISSIN caliper)	0409.20
Civic Wagon	88-91	Front Brake Pad	2WD	0273.20
Civic Wagon	88-91	Front Brake Pad	4WD (NISSIN caliper)	0373.20
CR-V	02-04	Rear Brake Pad		0537.20
CR-V	97-01	Front Brake Pad		0503.20
Element	03-11	Rear Brake Pad		0537.20
Fit	07	Front Brake Pad	inc Sport model	0621.20
Insight	10-12	Front Brake Pad		0465.21
Odyssey	95-98	Front Brake Pad		0503.20
Odyssey	95-98	Rear Brake Pad		0537.20
Passport	94-01	Front Brake Pad		0579.20
Prelude	98-01	Front Brake Pad		0503.20
Prelude	98-01	Rear Brake Pad		0537.20
Prelude	96-97	Front Brake Pad		0503.20



Pad Part Numbering System

WWW.XX

FMSI /
Pad
Shape

Compound

Status Key

P = Current Production Part.
 SO = Special Order. Limited stock may exist.
 DS = Deplete Stock.
 Limited stock may exist.
 Prices subject to change without notice.

BRAKE PADS MAKE/MODEL GUIDE				
Make / Model	Year	Front / Rear	Qualifier	PFC Part #
Prelude	96-97	Rear Brake Pad		0537.20
Prelude	93-96	Front Brake Pad	V-Tec models	0503.20
Prelude	93-96	Rear Brake Pad	V-Tec models	0537.20
Prelude	91	Front Brake Pad		0409.20
Prelude	88-91	Front Brake Pad	2.0 Si w/ EFI	0409.20
Prelude	88-90	Front Brake Pad		0373.20
Prelude	88-89	Front Brake Pad	DX model	0373.20
Prelude	85-87	Front Brake Pad	Si w/ fuel injection	0334.20
S2000	00-06	Front Brake Pad		0829.10
S2000	00-06	Rear Brake Pad		0537.20
HUMMER				
H2	03-09	Front Brake Pad		0784.20
H2	03-09	Rear Brake Pad		0785.20
INFINITI				
G20	99-02	Front Brake Pad		0526.20
G35	06	Front Brake Pad	w/ AWD only	0815.20
G35	02-05	Front Brake Pad	w/o Brembo Pkg	0815.20
I30	96-01	Front Brake Pad		0526.20
I35	02-04	Front Brake Pad		0815.20
M30	90-92	Front Brake Pad	Coupe	0266.20
Q45	97-01	Front Brake Pad		0691.20
QX4	97-03	Front Brake Pad	SUV	0691.20
QX56	03-06	Front Brake Pad		1183.20
INTERNATIONAL - NAVISTAR				
150	75-76	Front Brake Pad		0050.20
1400 Metro II	87-89	Front Brake Pad	w/Bendix 3.36 w/o wear sensors	0184.10 or 0184.20
1400 Metro II	87-89	Rear Brake Pad	w/Bendix 3.36 w/o wear sensors	0184.10 or 0184.20
1650 SC	98-00	Front Brake Pad	w/ hydraulic brakes	0786.10 or 0786.11
1650 SC	98-00	Rear Brake Pad	w/ hydraulic brakes	0786.10 or 0786.11
1650 Cargostar	83-97	Front Brake Pad	w/Bendix 3.36 w/o wear sensors	0184.10 or 0184.20
1650 Cargostar	83-97	Rear Brake Pad	w/Bendix 3.36 w/o wear sensors	0184.10 or 0184.20
1650 Cargostar	83-97	Front Brake Pad	w/ Bendix 2.88 caliper	0225.10 or 0225.20
1650 Cargostar	83-97	Rear Brake Pad	w/ Bendix 2.88 caliper	0225.10 or 0225.20
1700 Series Bus	79-89	Front Brake Pad	w/Bendix 3.36 w/o wear sensors	0184.10 or 0184.20
1700 Series Bus	79-89	Rear Brake Pad	w/Bendix 3.36 w/o wear sensors	0184.10 or 0184.20
1700 Series Bus	79-89	Front Brake Pad	w/ Bendix 2.88 caliper	0225.10 or 0225.20
1700 Series Bus	79-89	Rear Brake Pad	w/ Bendix 2.88 caliper	0225.10 or 0225.20
1750 Cargostar	83-89	Front Brake Pad	w/ Bendix 3.38/2.60 caliper	0184.10 or 0184.20
1750 Cargostar	83-89	Rear Brake Pad	w/ Bendix 3.38/2.60 caliper	0184.10 or 0184.20
1750 Cargostar	83-89	Front Brake Pad	w/ Bendix 2.88 caliper	0225.10 or 0225.20
1750 Cargostar	83-89	Rear Brake Pad	w/ Bendix 2.88 caliper	0225.10 or 0225.20
1753 Series Bus	84-97	Front Brake Pad	w/ Bendix 3.38/2.60 caliper	0184.10 or 0184.20
1753 Series Bus	84-97	Rear Brake Pad	w/ Bendix 3.38/2.60 caliper	0184.10 or 0184.20
1753 Series Bus	84-97	Front Brake Pad	w/ Bendix 2.88 caliper	0225.10 or 0225.20
1753 Series Bus	84-97	Rear Brake Pad	w/ Bendix 2.88 caliper	0225.10 or 0225.20
1800 Series	81-83	Front Brake Pad	w/Bendix 3.36 w/o wear sensors	0184.10 or 0184.20
1800 Series	81-83	Rear Brake Pad	w/Bendix 3.36 w/o wear sensors	0184.10 or 0184.20
1850 Series	84-97	Front Brake Pad	w/Bendix 3.36 w/o wear sensors	0184.10 or 0184.20
1850 Series	84-97	Rear Brake Pad	w/Bendix 3.36 w/o wear sensors	0184.10 or 0184.20
1850 Series	84-97	Front Brake Pad	w/ Bendix 2.88 caliper	0225.10 or 0225.20
1850 Series	84-97	Rear Brake Pad	w/ Bendix 2.88 caliper	0225.10 or 0225.20
1853 Series Bus	83-97	Front Brake Pad	w/Bendix 3.36 w/o wear sensors	0184.10 or 0184.20
1853 Series Bus	83-97	Rear Brake Pad	w/Bendix 3.36 w/o wear sensors	0184.10 or 0184.20
1853 Series Bus	83-97	Front Brake Pad	w/ Bendix 2.88 caliper	0225.10 or 0225.20
1853 Series Bus	83-97	Rear Brake Pad	w/ Bendix 2.88 caliper	0225.10 or 0225.20
1950 Series	85-97	Front Brake Pad	w/ Bendix 3.38/2.60 caliper	0184.10 or 0184.20
1950 Series	85-97	Rear Brake Pad	w/ Bendix 3.38/2.60 caliper	0184.10 or 0184.20
1950 Series	85-97	Front Brake Pad	w/ Bendix 2.88 caliper	0225.10 or 0225.20
1950 Series	85-97	Rear Brake Pad	w/ Bendix 2.88 caliper	0225.10 or 0225.20
2000 Series S Models	79-86	Front Brake Pad	w/ Bendix 2.88 caliper	0225.10 or 0225.20
2000 Series S Models	79-86	Rear Brake Pad	w/ Bendix 2.88 caliper	0225.10 or 0225.20
3000 Series Truck & Bus	98-09	Front Brake Pad	w/ Bosch 66mm Piston Caliper	0786.10 or 0786.20
3000 Series Truck & Bus	98-09	Front Brake Pad	w/ Bosch 73mm Piston Caliper	0786.11 or 0786.21
3000 Series Truck & Bus	98-09	Rear Brake Pad	w/ Bosch 66mm Piston Caliper	0786.10 or 0786.20



Pad Part Numbering System

WWW.XX

FMSI /
Pad
Shape

Compound

Status Key

P = Current Production Part.
 SO = Special Order. Limited stock may exist.
 DS = Deplete Stock.
 Limited stock may exist.
 Prices subject to change without notice.

BRAKE PADS MAKE/MODEL GUIDE				
Make / Model	Year	Front / Rear	Qualifier	PFC Part #
3000 Series Truck & Bus	98-09	Rear Brake Pad	w/ Bosch 73mm Piston Caliper	0786.11 or 0786.21
3000 Series Truck & Bus	90-97	Front Brake Pad	inc. 300FE,3400,3600 mini, 3800 w/Bendix 3.36 w/o wear sensors	0184.10 or 0184.20
3000 Series Truck & Bus	90-97	Rear Brake Pad	inc. 300FE,3400,3600 mini, 3800 w/Bendix 3.36 w/o wear sensors	0184.10 or 0184.20
3000 Series Truck & Bus	90-97	Front Brake Pad	inc. 300FE,3400,3600 mini, 3800 w/ Bendix 2.88 caliper	0225.10 or 0225.20
3000 Series Truck & Bus	90-97	Rear Brake Pad	inc. 300FE,3400,3600 mini, 3800 w/ Bendix 2.88 caliper	0225.10 or 0225.20
4000 Series Truck & Bus	98-09	Front Brake Pad	w/ Bosch 66mm Piston Caliper	0786.10 or 0786.20
4000 Series Truck & Bus	98-09	Front Brake Pad	w/ Bosch 73mm Piston Caliper	0786.11 or 0786.21
4000 Series Truck & Bus	98-09	Rear Brake Pad	w/ Bosch 66mm Piston Caliper	0786.10 or 0786.20
4000 Series Truck & Bus	98-09	Rear Brake Pad	w/ Bosch 73mm Piston Caliper	0786.11 or 0786.21
4000 Series Truck & Bus	90-97	Front Brake Pad	4600,4600LP,4700,4700LP,4800,4900 w/Bendix 3.36 w/o wear sensors	0184.10 or 0184.20
4000 Series Truck & Bus	90-97	Rear Brake Pad	4600,4600LP,4700,4700LP,4800,4900 w/Bendix 3.36 w/o wear sensors	0184.10 or 0184.20
4000 Series Truck & Bus	90-97	Front Brake Pad	4600,4600LP,4700,4700LP,4800,4900 w/ Bendix 2.88 caliper	0225.10 or 0225.20
4000 Series Truck & Bus	90-97	Rear Brake Pad	4600,4600LP,4700,4700LP,4800,4900 w/ Bendix 2.88 caliper	0225.10 or 0225.20
7000 Series	09	Front Brake Pad	Meritor 4 Piston Caliper	0769.10
7000 Series	09	Rear Brake Pad	Meritor 4 Piston Caliper	0769.10
7000 Series	02-09	Front Brake Pad	w/ Bosch 66mm Piston Caliper	0786.10 or 0786.20
7000 Series	02-09	Front Brake Pad	w/ Bosch 73mm Piston Caliper	0786.11 or 0786.21
7000 Series	02-09	Rear Brake Pad	w/ Bosch 66mm Piston Caliper	0786.10 or 0786.20
7000 Series	02-09	Rear Brake Pad	w/ Bosch 73mm Piston Caliper	0786.11 or 0786.21
7000 Series	79-92	Front Brake Pad	w/ Bendix 3.36 w/o wear sensors	0184.10 or 0184.20
7000 Series	79-92	Rear Brake Pad	w/ Bendix 3.36 w/o wear sensors	0184.10 or 0184.20
7000 Series	79-92	Front Brake Pad	w/ Bendix 2.88 caliper	0225.10 or 0225.20
7000 Series	79-92	Rear Brake Pad	w/ Bendix 2.88 caliper	0225.10 or 0225.20
CF 500, 600	06-10	Front Brake Pad		1066.10
CF 500, 600	06-10	Rear Brake Pad		1066.10
CO1710A B CargoStar	83-85	Front Brake Pad	w/ Bendix 2.88 caliper	0225.10 or 0225.20
CO1710A B CargoStar	83-85	Rear Brake Pad	w/ Bendix 2.88 caliper	0225.10 or 0225.20
CXT	06-09	Front Brake Pad		0786.11
CXT	06-09	Rear Brake Pad		0786.11
CXT	06-09	Rear Rotor		381.089.20
D200 PickUp	74-75	Front Brake Pad	w/ Std brakes	0050.20
D200 PickUp	74-75	Front Brake Pad	w/ HD brakes	0149.20
M1600/1652 Metro	88-95	Front Brake Pad	w/ Bendix 2.88 caliper	0225.10 or 0225.20
M1600/1652 Metro	88-95	Rear Brake Pad	w/ Bendix 2.88 caliper	0225.10 or 0225.20
M1600/1652 Metro	88-98	Front Brake Pad	w/ Bendix 2.60" or 3.38" caliper	0184.10 or 0184.20
M1600/1652 Metro	88-98	Rear Brake Pad	w/ Bendix 2.60" or 3.38" caliper	0184.10 or 0184.20
MXT	06-09	Front Brake Pad		0786.11
MXT	06-09	Rear Brake Pad		0786.11
MXT	06-09	Rear Rotor		381.089.20
RXT	06-09	Front Brake Pad		0786.11
RXT	06-09	Rear Brake Pad		0786.11
RXT	06-09	Rear Rotor		381.089.20
S1452/1452SC/1452FC	84-98	Front Brake Pad	w/ Bendix 2.88 caliper	0225.10 or 0225.20
S1452/1452SC/1452FC	84-98	Rear Brake Pad	w/ Bendix 2.88 caliper	0225.10 or 0225.20
S1452/1452SC/1452FC	88-98	Front Brake Pad	w/ Bendix 2.60" or 3.38" caliper	0184.10 or 0184.20
S1452/1452SC/1452FC	88-98	Rear Brake Pad	w/ Bendix 2.60" or 3.38" caliper	0184.10 or 0184.20
S1624, S1652FC, S1652SC	98-04	Front Brake Pad	w/ 2.60" Caliper	0786.10 or 0786.20
S1624, S1652FC, S1652SC	98-04	Rear Brake Pad	w/ 2.60" Caliper	0786.10 or 0786.20
S1624, S1652FC, S1652SC	98-04	Front Brake Pad	w/ 2.88" caliper	0786.11 or 0786.21
S1624, S1652FC, S1652SC	98-04	Rear Brake Pad	w/ 2.88" caliper	0786.11 or 0786.21
S1624, S1652FC, S1652SC	83-97	Front Brake Pad	w/ 2.88" caliper	0225.10 or 0225.20
S1624, S1652FC, S1652SC	83-97	Rear Brake Pad	w/ 2.88" caliper	0225.10 or 0225.20
S1723,1753,1724,1754	83-98	Front Brake Pad	w/ Bendix 2.88 caliper	0225.10 or 0225.20
S1723,1753,1724,1754	83-98	Rear Brake Pad	w/ Bendix 2.88 caliper	0225.10 or 0225.20



Pad Part Numbering System

WWW.XX

FMSI /
Pad
Shape

Compound

Status Key

P = Current Production Part.
 SO = Special Order. Limited stock may exist.
 DS = Deplete Stock.
 Limited stock may exist.
 Prices subject to change without notice.

BRAKE PADS MAKE/MODEL GUIDE				
Make / Model	Year	Front / Rear	Qualifier	PFC Part #
S1900 Bus	82-89	Front Brake Pad	w/ Bendix 2.88 caliper	0225.10 or 0225.20
S1900 Bus	82-89	Rear Brake Pad	w/ Bendix 2.88 caliper	0225.10 or 0225.20
Scout	74-80	Front Brake Pad		0050.20
*To determine proper part: 0786.10=66mm caliper / 0786.11=73mm caliper				
ISUZU - SUV				
Amigo	98-00	Front Brake Pad		0579.20
Ascender	06-08	Front Brake Pad		1169.20
Ascender	03-05	Front Brake Pad		0882.20
Ascender	03-08	Rear Brake Pad		0883.20
Axiom	02-04	Front Brake Pad		0579.20
Hombre	98-00	Front Brake Pad	4WD models only	0726.20
Hombre	98-00	Rear Brake Pad	4WD models only	0729.20
Hombre	96-00	Front Brake Pad	2WD	0154.20
Oasis	96-98	Front Brake Pad		0503.20
Oasis	96-98	Rear Brake Pad		0537.20
Rodeo	93-01	Front Brake Pad		0579.20
Rodeo Sport	01	Front Brake Pad		0579.20
Trooper	92-03	Front Brake Pad		0579.20
Vehicross	99-01	Front Brake Pad		0579.20
ISUZU - TRUCK				
FRR	99-01	Front Brake Pad	w/ Dayton 4 piston rear	0225.10 or 0225.20
FRR	99-01	Rear Brake Pad	w/ Dayton 4 piston rear	0769.10
FRR	99-01	Front Brake Pad	w/ Dayton 4 piston F & R	0769.10
FRR	99-01	Rear Brake Pad	w/ Dayton 4 piston F & R	0769.10
FSR	3/96-02	Front Brake Pad	8100lb Axle, Dayton Caliper	0224.10 or 0224.20
FSR	3/96-02	Rear Brake Pad	8100lb Axle, Dayton Caliper	0224.10 or 0224.20
FSR	3/96-02	Front Brake Pad	11000lb Axle, Bendix Caliper	0225.10 or 0225.20
FSR	3/96-02	Rear Brake Pad	11000lb Axle, Bendix Caliper	0225.10 or 0225.20
FSR	3/98-02	Rear Brake Pad	w/ Dayton 4 Piston Rear Caliper	0769.10
FTR	03-09	Front Brake Pad		0769.10
FTR	03-09	Rear Brake Pad		0769.10
FTR	3/96-02	Front Brake Pad	8100lb Axle, Dayton Caliper	0224.10 or 0224.20
FTR	3/96-02	Rear Brake Pad	8100lb Axle, Dayton Caliper	0224.10 or 0224.20
FTR	3/96-02	Front Brake Pad	11000lb Axle, Bendix Caliper	0225.10 or 0225.20
FTR	3/96-02	Rear Brake Pad	11000lb Axle, Bendix Caliper	0225.10 or 0225.20
FTR	4/03-04	Front Brake Pad	11000lb axle	0769.10
FTR	3/98-04	Rear Brake Pad	w/ Dayton 4 Piston Rear Caliper	0769.10
FVR, FXR	03-09	Front Brake Pad		0769.10
FVR, FXR	03-09	Rear Brake Pad		0769.10
FVR, FXR	3/98-02	Front Brake Pad	8100lb Axle, Dayton Caliper	0224.10 or 0224.20
FVR, FXR	3/98-02	Rear Brake Pad	8100lb Axle, Dayton Caliper	0224.10 or 0224.20
FVR, FXR	3/98-02	Front Brake Pad	11000lb Axle, Bendix Caliper	0225.10 or 0225.20
FVR, FXR	3/98-02	Rear Brake Pad	11000lb Axle, Bendix Caliper	0225.10 or 0225.20
FVR, FXR	4/03-04	Front Brake Pad	11000lb axle	0769.10
FVR, FXR	3/98-04	Rear Brake Pad	w/ Dayton 4 Piston Rear Caliper	0769.10
HTR, HVR	05-08	Front Brake Pad		0769.10
HTR, HVR	05-08	Rear Brake Pad		0769.10
NPR	08-12	Front Brake Pad	Class 3	0825.20
NPR	08-12	Rear Brake Pad	Class 3	0825.20
NPR	08-12	Front Brake Pad	HD, Class 4	0827.20
NPR	08-12	Rear Brake Pad	HD, Class 4	0827.20
NPR	99-07	Front Brake Pad	Gas engine Class 4 HD w/ ABS	0827.20
NPR	10/97-07	Front Brake Pad	Class 3; w/ Gas Engine 10,001-14,000 lbs.	0825.20
NPR	8/87-9/97	Front Brake Pad	Commercial trk and Flat Low w/ Gas Engine	0546.20
NPR	98-07	Front Brake Pad	Class 5 w/ Diesel Engine	0827.20
NPR	1/98-07	Front Brake Pad	Class 4 w/ Diesel Engine	0825.20
NPR	8/87-12-97	Front Brake Pad	w/ Diesel Engine	0546.20
NQR	99-12	Front Brake Pad	Class 5	0827.20
NQR	99-11	Rear Brake Pad	Class 5	0827.20
NRR	04-12	Front Brake Pad	Class 5	0827.20
NRR	04-11	Rear Brake Pad	Class 5	0827.20
IVECO				
23-16	89-91	Front Brake Pad	Turbo Range	1027.10
335T	87-90	Front Brake Pad		1027.10



Pad Part Numbering System

WWW.XX

FMSI /
Pad
Shape

Compound

Status Key

P = Current Production Part.
 SO = Special Order. Limited stock may exist.
 DS = Deplete Stock.
 Limited stock may exist.
 Prices subject to change without notice.

BRAKE PADS MAKE/MODEL GUIDE				
Make / Model	Year	Front / Rear	Qualifier	PFC Part #
340T	87-90	Front Brake Pad		1027.10
435, 450T	87-90	Front Brake Pad		1027.10
Euro Range 230T	87-88	Front Brake Pad		0494.20
JAGUAR				
S Type	00-02	Front Brake Pad		0805.20
XJ6	90-97	Front Brake Pad		0394.11 or 0394.20
XJ8	98-00	Front Brake Pad		0394.11 or 0394.20
XJ12	95-96	Front Brake Pad	w/ ATE caliper	0394.11 or 0394.20
XJR	95-97	Front Brake Pad		0394.11 or 0394.20
XK8	97-00	Front Brake Pad		0394.11 or 0394.20
JEEP				
Cherokee	99-01	Front Brake Pad	Model XJ	0477.20
Cherokee	97-98	Front Brake Pad	Model XJ	0477.20
Cherokee	97-98	Rear Brake Pad	Model XJ	0666.20
Cherokee	94-96	Front Brake Pad	Model XJ	0477.20
Cherokee	90-93	Front Brake Pad	Model XJ w/ 4WD	0477.20
Cherokee	90-93	Front Brake Pad	Model XJ w/ 2WD	0203.20
Cherokee	84-89	Front Brake Pad	Model XJ	0203.20
Cherokee	74-83	Front Brake Pad	Model SJ	0052.20
CJ Series	82-85	Front Brake Pad	including Scrambler	0203.20
CJ Series	77-78	Front Brake Pad	w/ 11" Rear drum only	0050.20
Comanche	90-92	Front Brake Pad	Model MJ w/ 2WD	0203.20
Comanche	90-92	Front Brake Pad	Model MJ w/ 4WD	0477.20
Comanche	86-89	Front Brake Pad	Model MJ	0203.20
Gladiator	74-87	Front Brake Pad	with rotor brakes	0052.20
Grand Cherokee	11-13	Front Brake Pad		1455.20
Grand Cherokee	11-13	Rear Brake Pad		tba
Grand Cherokee	06-10	Rear Brake Pad	SRT8	1053.10
Grand Cherokee	99-04	Front Brake Pad	Model WJ warranty Akebono caliper 2wd and 4wd	0945.20
Grand Cherokee	99-04	Rear Brake Pad	Model WJ warranty Akebono caliper 2wd and 4wd	0791.20
Grand Cherokee	99-02	Front Brake Pad	Model WJ OE Teves caliper 2wd and 4wd	0790.20
Grand Cherokee	99-02	Rear Brake Pad	Model WJ OE Teves caliper 2wd and 4wd	0791.20
Grand Cherokee	95-98	Front Brake Pad	Model ZJ	0477.20
Grand Cherokee	95-98	Rear Brake Pad	Model ZJ	0666.20
Grand Cherokee	92-94	Front Brake Pad	Model ZJ	0477.20
Liberty	08-12	Front Brake Pad		1327.20
Liberty	02-07	Front Brake Pad		0856.20
Wagoneer	94-01	Front Brake Pad	Model XJ	0477.20
Wagoneer	90-93	Front Brake Pad	Model XJ w/4WD	0477.20
Wagoneer	90-93	Front Brake Pad	Model XJ w/2WD	0203.20
Wagoneer	84-89	Front Brake Pad	Model XJ	0203.20
Wagoneer	74-83	Front Brake Pad	Model SJ	0052.20
Grand Wagoneer	84-91	Front Brake Pad	Model SJ	0052.20
Wrangler	07-13	Front Brake Pad		1327.20
Wrangler	99-06	Front Brake Pad	including Laredo & Renegade	0477.20
Wrangler	97-98	Front Brake Pad	including Laredo & Renegade	0477.20
Wrangler	97-98	Rear Brake Pad	including Laredo & Renegade	0666.20
Wrangler	90-96	Front Brake Pad	including Laredo & Renegade	0477.20
Wrangler	87-89	Front Brake Pad		0203.20
KIA				
Rio	01-03	Front Brake Pad	Until mid '03	0466.20
LEXUS				
ES250	90-91	Front Brake Pad		0356.20
ES250	90-91	Rear Brake Pad		0325.20
ES300	00-01	Front Brake Pad		0707.20
ES300	97-99	Front Brake Pad		0707.20
ES300	97-99	Rear Brake Pad		0325.20
ES300	92-98	Front Brake Pad		0476.20
ES300	92-98	Rear Brake Pad		0325.20
GS300	93-05	Front Brake Pad		0619.10
GS400	98-00	Front Brake Pad		0619.10
GS430	01-05	Front Brake Pad		0619.10



Pad Part Numbering System

WWW.XX

FMSI /
Pad
Shape

Compound

Status Key

P = Current Production Part.
 SO = Special Order. Limited stock may exist.
 DS = Deplete Stock.
 Limited stock may exist.
 Prices subject to change without notice.

BRAKE PADS MAKE/MODEL GUIDE				
Make / Model	Year	Front / Rear	Qualifier	PFC Part #
GX460	10-12	Front Brake Pad		0976.20
GX470	03-09	Front Brake Pad		0976.20
IS300	00-05	Front Brake Pad		0619.10
LS400	90-92	Front Brake Pad		0476.20
LX450	96-97	Front Brake Pad		0502.20
RX300	98-01	Front Brake Pad		0707.20
RX300	98-01	Rear Brake Pad		0325.20
RX300	02-03	Rear Brake Pad		0325.20
SC300	92-98	Front Brake Pad		0476.20
SC430	02-10	Front Brake Pad		0619.10
LINCOLN				
Blackwood	02-03	Front Brake Pad	4Dr Extra Cab Pickup	0679.20
Blackwood	02-03	Rear Brake Pad	4Dr Extra Cab Pickup	0711.20
Continental	95-02	Front Brake Pad		0598.20
Continental	95-02	Rear Brake Pad		0610.20
Continental	93-94	Front Brake Pad		0601.20
Continental	93-94	Rear Brake Pad		0610.20
Continental	88-92	Front Brake Pad		0421.25
Continental	82-87	Front Brake Pad		0199.20
Continental	82-87	Rear Brake Pad		0771.10
Continental	73-79	Front Brake Pad		0050.20
LS	00-05	Front Brake Pad	with and without sport suspension	0805.20
Mark LT	06-08	Front Brake Pad		1011.20
Mark LT	06-08	Rear Brake Pad		1012.20
Mark VI,VII	81-92	Front Brake Pad		0199.20
Mark VIII	93-98	Front Brake Pad		0598.20
MKS	13	Front Brake Pad		1611.20
MKS	13	Rear Brake Pad		1612.20
MKS	12	Front Brake Pad		1508.20
MKS	12	Rear Brake Pad		tba
MKS	09-11	Front Brake Pad		1376.20
MKT	13	Front Brake Pad	w/ Performance Brake	1611.20
MKT	13	Front Brake Pad		1611.20
MKT	13	Rear Brake Pad		1279.20
MKT	12	Front Brake Pad		1508.20
MKT	12	Rear Brake Pad		tba
MKT	10-11	Front Brake Pad		1376.20
Navigator SUV	11-12	Front Brake Pad		1414.10
Navigator SUV	11-12	Rear Brake Pad		1279.20
Navigator SUV	07-10	Front Brake Pad		1278.20
Navigator SUV	07-10	Rear Brake Pad		1279.20
Navigator SUV	02-06	Front Brake Pad	from 03/18/2002	0934.10
Navigator SUV	02-06	Rear Brake Pad	from 03/18/2002	0935.10
Navigator SUV	99-02	Front Brake Pad	to 03/18/2002	0702.20
Navigator SUV	99-02	Rear Brake Pad	to 03/18/2002	0711.20
TownCar	03-11	Front Brake Pad		0931.20
TownCar	03-11	Rear Brake Pad	exc. Limousine	1040.20
TownCar	03-11	Rear Brake Pad	Limousine	0711.20
TownCar	98-02	Front Brake Pad	w/ Steel Piston Rear Caliper	0748.20
TownCar	98-02	Rear Brake Pad	w/ Steel Piston Rear Caliper	0674.20
TownCar	98-02	Front Brake Pad	w/ Phenolic Piston Rear Caliper	0748.20
TownCar	98-02	Rear Brake Pad	w/ Phenolic Piston Rear Caliper	0690.20
TownCar	96-97	Front Brake Pad		0659.20
TownCar	96-97	Rear Brake Pad		0674.20
TownCar	95	Front Brake Pad		0659.20
TownCar	95	Rear Brake Pad		0544.20
TownCar	90-94	Front Brake Pad	Front caliper piston is PHENOLIC	0199.20
TownCar	90-94	Rear Brake Pad	Front caliper piston is PHENOLIC	0544.20
TownCar	90-94	Front Brake Pad	Front caliper piston is STEEL	0499.20
TownCar	90-94	Rear Brake Pad	Front caliper piston is STEEL	0544.20
TownCar	81-89	Front Brake Pad		0199.20
TownCar Limousine	04	Front Brake Pad	w/ short wheel base	0931.20
TownCar Limousine	04	Rear Brake Pad	w/ short wheel base	0932.20
TownCar Limousine	03-07	Front Brake Pad		0931.20



Pad Part Numbering System

WWW.XX

FMSI /
Pad
Shape

Compound

Status Key

P = Current Production Part.
 SO = Special Order. Limited stock may exist.
 DS = Deplete Stock.
 Limited stock may exist.
 Prices subject to change without notice.

BRAKE PADS MAKE/MODEL GUIDE				
Make / Model	Year	Front / Rear	Qualifier	PFC Part #
TownCar Limousine	03-07	Rear Brake Pad		0711.20
TownCar Limousine	82-95	Front Brake Pad		0199.20
MASERATI				
Biturbo	89-90	Front Brake Pad	228Coupe,428 Sedan and Spider	0395.11 or 0395.20
Biturbo	89-90	Rear Brake Pad	228Coupe,428 Sedan and Spider	0031.20
MAZDA				
323	90-91	Front Brake Pad	w/ 4 wheel rotor	0473.20
323	90-94	Front Brake Pad	w/ 2 wheel rotor	0466.20
626	98-02	Front Brake Pad	w/ rear drum	0637.20
626	93-97	Front Brake Pad	All	0637.20
929	88-91	Front Brake Pad		0433.20
B2300 truck	03-05	Front Brake Pad		0833.20
B2300 truck	95-02	Front Brake Pad		0652.20
B2300 truck	94	Front Brake Pad		0387.20
B2500 truck	95-02	Front Brake Pad		0652.20
B3000 truck	03-05	Front Brake Pad		0833.20
B3000 truck	95-02	Front Brake Pad		0652.20
B3000 truck	94	Front Brake Pad		0387.20
B4000 truck	03-05	Front Brake Pad		0833.20
B4000 truck	95-02	Front Brake Pad		0652.20
B4000 truck	94	Front Brake Pad		0387.20
MX3	92-95	Front Brake Pad		0473.20
MX6	93-97	Front Brake Pad		0637.20
Navajo	91-94	Front Brake Pad		0387.20
Protégé	02-03	Front Brake Pad	DX, ES, LX, Protégé 5	0637.20
Protégé	01	Front Brake Pad	ES, LX, MP3	0637.20
Protégé	99-01	Front Brake Pad	1.8L	0637.20
Protégé	99-01	Front Brake Pad	1.6L	0798.20
Protégé	90-98	Front Brake Pad	w/ 4 wheel rotor	0473.20
Protégé	90-98	Front Brake Pad	w/ 2 wheel rotor	0466.20
RX7	86-96	Front Brake Pad	w/ 4 piston caliper	0463.20
RX7	86-96	Rear Brake Pad	w/ 4 piston caliper	0482.20
Tribute i	06	Front Brake Pad		0843.20
Tribute	01-05	Front Brake Pad	w/ rear drum	0843.20
MERCEDES				
200, 200D	65-68	Front Brake Pad		0045.20
200D, 220D, 240D	68-76	Front Brake Pad		0045.20
200D, 220D, 240D	68-76	Rear Brake Pad		0031.20
220	68-73	Front Brake Pad		0045.20
220	68-73	Rear Brake Pad		0031.20
220	68-73	Front Brake Pad		0045.20
220	68-73	Rear Brake Pad		0031.20
230	65-75	Front Brake Pad		0045.20
230	65-75	Rear Brake Pad		0031.20
230	76-78	Front Brake Pad		0145.20
230	76-78	Rear Brake Pad		0031.20
240D	76-83	Front Brake Pad	Type 123	0145.20
240D	76-83	Rear Brake Pad	Type 123	0031.20
240D, 300D	74-76	Front Brake Pad	Type 115	0100.20
240D, 300D	74-76	Rear Brake Pad	Type 115	0031.20
250	65-73	Front Brake Pad	Coupe and Sedan	0045.20
250	65-73	Rear Brake Pad	Coupe and Sedan	0031.20
280	76-81	Front Brake Pad		0145.20
280	76-81	Rear Brake Pad		0031.20
280	72-75	Front Brake Pad		0100.20
280	72-75	Rear Brake Pad		0031.20
300D, 300CD	76-85	Front Brake Pad	Type 123	0145.20
300D, 300CD	76-85	Rear Brake Pad	Type 123	0031.20
300SD	78-80	Front Brake Pad	Type 116	0145.20
300SD	78-80	Rear Brake Pad	Type 116	0031.20
300SE,SEL	88-91	Front Brake Pad	Type 126	0145.20
300SE,SEL	88-91	Rear Brake Pad	Type 126	0031.20
350SDL	90-91	Front Brake Pad	Type 126	0145.20
350SDL	90-91	Rear Brake Pad	Type 126	0031.20



Pad Part Numbering System

WWW.XX

FMSI /
Pad
Shape

Compound

Status Key

P = Current Production Part.
 SO = Special Order. Limited stock may exist.
 DS = Deplete Stock.
 Limited stock may exist.
 Prices subject to change without notice.

BRAKE PADS MAKE/MODEL GUIDE				
Make / Model	Year	Front / Rear	Qualifier	PFC Part #
350SD	90-91	Front Brake Pad	Type 126	0145.20
350SD	90-91	Rear Brake Pad	Type 126	0031.20
380SL, 380SLC	80-85	Front Brake Pad	Type 107	0145.20
380SL, 380SLC	80-85	Rear Brake Pad	Type 107	0031.20
420SEL	86-91	Front Brake Pad	Type 126	0145.20
420SEL	86-91	Rear Brake Pad	Type 126	0031.20
450	76-80	Front Brake Pad	SE,SEL,SLC,SL	0145.20
450	76-80	Rear Brake Pad	SE,SEL,SLC,SL	0031.20
450	73-75	Front Brake Pad	SE,SEL,SLC,SL	0100.20
450	73-75	Rear Brake Pad	SE,SEL,SLC,SL	0031.20
450SL, 450SLC	71-72	Front Brake Pad	Type 107	0045.20
450SL, 450SLC	71-72	Rear Brake Pad	Type 107	0031.20
560SEC	86-91	Front Brake Pad		0145.20
560SEC	86-91	Rear Brake Pad		0031.20
560SEL	86-91	Front Brake Pad		0145.20
560SEL	86-91	Rear Brake Pad		0031.20
G55 AMG	02-07	Front Brake Pad	w/ Bosch Calipers	0927.20
G55 AMG	02-07	Rear Brake Pad	w/ Bosch Calipers	0928.10
G500	02-07	Front Brake Pad	w/ Bosch Calipers	0927.20
G500	02-07	Rear Brake Pad	w/ Bosch Calipers	0928.10
MERCEDES Commercial Truck				
Sprinter 2500	10-12	Front Brake Pad		1316.10
Sprinter 2500	10-12	Rear Brake Pad		1317.10
Sprinter 2500	02-05	Front Brake Pad	16" Wheels	1136.10
Sprinter 2500	02-05	Rear Brake Pad	16" Wheels	1006.10
Sprinter 2500	02-05	Rear Brake Pad	w/Wabco Calipers	1545.20
Sprinter 2500	04	Rear Brake Pad		0928.10
Sprinter 2500	02	Rear Brake Pad		0928.10
Sprinter 3500	07-10	Front Brake Pad		1268.10
Sprinter 3500	10-12	Rear Brake Pad		1318.10
Sprinter 3500	02-05	Rear Brake Pad	16" Wheels	1006.10
Sprinter 3500	02-05	Rear Brake Pad	DRW	1136.10
MERCURY				
Capri	83-86	Front Brake Pad		0310.20
Comet	72	Front Brake Pad		0050.20
Cougar	99-04	Front Brake Pad	does not include electric sensor	0648.20
Cougar	96-97	Front Brake Pad	w/rear dic and sport package	0598.20
Cougar	93-97	Front Brake Pad	exc. sport package	0600.20
Cougar	89-92	Front Brake Pad		0417.20
Cougar	83-88	Front Brake Pad		0310.20
Cougar	74-79	Front Brake Pad		0050.20
Grand Marquis	03-11	Front Brake Pad	inc Police	0931.20
Grand Marquis	03-11	Rear Brake Pad	inc Police	1040.20
Grand Marquis	03-04	Front Brake Pad		0931.20
Grand Marquis	03-04	Rear Brake Pad		0932.20
Grand Marquis	98-02	Front Brake Pad	Rear Caliper with Steel Piston	0748.20
Grand Marquis	98-02	Rear Brake Pad	Rear Caliper with Steel Piston	0674.20
Grand Marquis	98-02	Front Brake Pad	Rear Caliper with phenolic piston	0748.20
Grand Marquis	98-02	Rear Brake Pad	Rear Caliper with phenolic piston	0690.20
Grand Marquis	95-97	Front Brake Pad		0659.20
Grand Marquis	95-97	Rear Brake Pad		0674.20
Grand Marquis	91-94	Front Brake Pad	Front caliper piston is PHENOLIC	0199.20
Grand Marquis	91-94	Rear Brake Pad	Front caliper piston is PHENOLIC	0544.20
Grand Marquis	91-94	Front Brake Pad	Front caliper piston is STEEL	0499.20
Grand Marquis	91-94	Rear Brake Pad	Front caliper piston is STEEL	0544.20
Grand Marquis	79-94	Front Brake Pad	Police and taxi models	0346.20
Grand Marquis	79-94	Rear Brake Pad	Police and taxi models	0544.20
Grand Marquis	81-90	Front Brake Pad		0199.20
Grand Marquis	79-81	Front Brake Pad	To 5/81 except Police	0346.20
Grand Marquis	73-78	Front Brake Pad		0050.20
Mariner	06-07	Front Brake Pad	inc Convenience and Hybrid	0843.20
Marauder	03-04	Front Brake Pad		0931.20
Marauder	03-04	Rear Brake Pad		1040.20
Marquis	92-95	Front Brake Pad		0659.20



Pad Part Numbering System

WWW.XX

FMSI /
Pad
Shape

Compound

Status Key

P = Current Production Part.
 SO = Special Order. Limited stock may exist.
 DS = Deplete Stock.
 Limited stock may exist.
 Prices subject to change without notice.

BRAKE PADS MAKE/MODEL GUIDE				
Make / Model	Year	Front / Rear	Qualifier	PFC Part #
Marquis	92-95	Rear Brake Pad		0544.20
Marquis -Intermediate	83-86	Front Brake Pad		0310.20
Montego	72-76	Front Brake Pad		0050.20
Mountaineer	06-10	Front Brake Pad		1158.20
Mountaineer	05-10	Rear Brake Pad		1109.20
Mountaineer	02-05	Front Brake Pad	All	0833.20
Mountaineer	02-04	Rear Brake Pad	All	0881.20
Mountaineer	01-05	Front Brake Pad	SportTrac model w/ dual piston caliper	0833.20
Mountaineer	97-01	Front Brake Pad	with single piston caliper	0652.20
Mountaineer	97-01	Rear Brake Pad	with single piston caliper	0667.20
Mystique	95-00	Front Brake Pad		0648.20
Sable	01-06	Front Brake Pad		0598.20
Sable	01-06	Rear Brake Pad		0610.20
Sable	99-00	Front Brake Pad		0601.20
Sable	99-00	Rear Brake Pad		0610.20
Sable	94-98	Front Brake Pad		0601.20
Sable	94-98	Rear Brake Pad		0610.20
Sable	93	Front Brake Pad		0421.25
Sable	93	Rear Brake Pad		0610.20
Sable	86-92	Front Brake Pad		0421.25
Tracer	95-00	Front Brake Pad		0473.20
Tracer	91-94	Front Brake Pad	LTS models	0473.20
Tracer	91-94	Front Brake Pad	except LTS Models	0466.20
Villager	93-03	Front Brake Pad		0576.20
Zephyr	83	Front Brake Pad		0310.20
MITSUBISHI				
3000GT VR4	91-99	Front Brake Pad	w/ All-wheel drive	0460.20
3000GT, SL	91-99	Front Brake Pad	w/ front wheel drive only	0530.20
Diamante	92-96	Front Brake Pad		0530.20
Diamante	99-04	Front Brake Pad		0530.20
Eclipse	90-01	Front Brake Pad	w/ rear drums	0484.20
Eclipse	96-00	Front Brake Pad	w/ rear rotors	0530.20
Eclipse	91-99	Front Brake Pad	w/ front wheel drive only	0484.20
Eclipse	93-95	Front Brake Pad	w/ All-wheel drive	0530.20
Eclipse Spyder	00-01	Front Brake Pad	GT convertible	0530.20
Expo	92-95	Front Brake Pad		0484.20
Expo-LRV	92-95	Front Brake Pad		0484.20
Galant	91-93	Front Brake Pad	w/ rotor rear	0530.20
Galant	99-00	Front Brake Pad	w/ rotor rear	0530.20
Galant	91-01	Front Brake Pad	w/ Drum rear	0484.20
Galant VR4	91-92	Front Brake Pad	4WD turbo	0530.20
Galant GSX	90-92	Front Brake Pad	4WD w/o turbo	0484.20
Lancer	09-11	Front Brake Pad	Ralliart	0530.20
Lancer	97-07	Front Brake Pad	Evolution V, VI, VII, VIII, IX	1001.11
Lancer	97-07	Rear Brake Pad	Evolution V, VI, VII, VIII, IX	0109.10
Mirage	99-02	Front Brake Pad	w/AKEBONO caliper	0484.20
Mirage	91-92	Front Brake Pad	w/AKEBONO caliper	0484.20
Montero	92-00	Front Brake Pad		0530.20
Montero Sport	97-04	Front Brake Pad		0530.20
MITSUBISHI TRUCK				
FE439	88-95	Front Brake Pad	No wear sensor hole	0433.20
FE444	88-95	Front Brake Pad	No wear sensor hole	0433.20
FE449	88-95	Front Brake Pad	No wear sensor hole	0433.20
FUSO FE639 Series	95-04	Front Brake Pad	Dual Calipers, 2 sets required, no hole for wear sensor	0433.20
FUSO FE Series	88-95	Front Brake Pad	Dual Calipers, 2 sets required, no hole for wear sensor	0433.20
Raider	06-10	Front Brake Pad		1084.20
NISSAN - CAR				
200SX	87-88	Front Brake Pad	6 cyl	0266.20
300ZX	90-96	Front Brake Pad		0460.10
300ZX	90-96	Rear Brake Pad		0461.20
300ZX	84-89	Front Brake Pad	non turbo models	0266.20
350Z	03-06	Front Brake Pad		0526.20



Pad Part Numbering System

WWW.XX

FMSI /
Pad
Shape

Compound

Status Key

P = Current Production Part.
 SO = Special Order. Limited stock may exist.
 DS = Deplete Stock.
 Limited stock may exist.
 Prices subject to change without notice.

BRAKE PADS MAKE/MODEL GUIDE				
Make / Model	Year	Front / Rear	Qualifier	PFC Part #
Altima	07-13	Front Brake Pad		0526.20
Altima	01-06	Front Brake Pad	exc SE-R	0815.20
Altima	93-00	Front Brake Pad		0526.20
Cube	10-12	Front Brake Pad		0815.20
Maxima	89-03	Front Brake Pad		0526.20
Maxima	85-88	Front Brake Pad		0266.20
Pulsar	83-86	Front Brake Pad	w/ optional brakes	0266.20
Sentra	12	Front Brake Pad	Base	0815.20
Sentra	12	Front Brake Pad	SE-R	0526.20
Sentra	07-11	Front Brake Pad	Base, SE-R	0526.20
Sentra	00-06	Front Brake Pad	2.0L, 2.5L	0526.20
Stanza	86-89	Front Brake Pad	sedan	0266.20
Stanza	86-89	Front Brake Pad	station wagon 2 & 4 WD models	0266.20
Versa	09-12	Front Brake Pad	1.8L eng	0815.20
Versa	07-12	Front Brake Pad		0815.20
NISSAN - TRUCK/SUV/VAN				
Armada	05-06	Front Brake Pad		1183.20
Frontier	03-04	Front Brake Pad	w/ 4 cylinder engine	0333.20
Frontier	03-04	Front Brake Pad	w/ 6 cylinder engine	0830.20
Frontier	98-02	Front Brake Pad	all	0333.20
Juke	11-12	Front Brake Pad		0526.20
Pathfinder	96-04	Front Brake Pad		0691.20
Pathfinder	87-95	Front Brake Pad		0333.20
Pickup 2WD	83-97	Front Brake Pad	4 cyl gas models exec HD, Cab and Chassis	0266.20
Pickup 2WD	86-89	Front Brake Pad	4 cyl diesel models exec HD,Cab & Chassis	0333.20
Pickup 2WD	86-97	Front Brake Pad	V6 models exec HD,Cab & Chassis	0333.20
Pickup 2WD	86-97	Front Brake Pad	HD models SRW or DRW	0333.20
Pickup 2WD	83-85	Front Brake Pad	HD models SRW or DRW	0266.20
Pickup 4WD	86-97	Front Brake Pad	Model D21	0333.20
Pickup 4WD	83-85	Front Brake Pad	Model 720	0266.20
Quest	04-06	Front Brake Pad		0691.20
Quest	93-03	Front Brake Pad		0576.20
Titan	04-07	Front Brake Pad		1183.20
Van	87-90	Front Brake Pad		0333.20
Xterra	00-04	Front Brake Pad		0830.20
OLDSMOBILE				
Achieva	92-98	Front Brake Pad		0506.20
Alero	99-04	Front Brake Pad		0727.20
Alero	99-04	Rear Brake Pad		0814.20
Aurora	97-03	Front Brake Pad		0699.20
Aurora	97-03	Rear Brake Pad		0508.20
Aurora	95-96	Front Brake Pad		0623.20
Aurora	95-96	Rear Brake Pad		0508.20
Bravada SUV	02-04	Front Brake Pad		0882.20
Bravada SUV	02-04	Rear Brake Pad		0883.20
Bravada SUV	97-01	Front Brake Pad		0726.20
Bravada SUV	97-01	Rear Brake Pad		0729.20
Bravada SUV	91-96	Front Brake Pad		0154.20
Calais	91	Front Brake Pad		0506.20
Calais	85-90	Front Brake Pad		0289.20
Ciera	90-97	Front Brake Pad		0215.20
Ciera	82-89	Front Brake Pad	Sedans with standard brake	0289.20
Ciera	82-90	Front Brake Pad	Station Wagons	0215.20
Ciera	82-89	Front Brake Pad	Sedans with Heavy Duty Brake	0215.20
Custom Crusier	71-92	Front Brake Pad	RWD	0052.20
Cutlass	97-99	Front Brake Pad		0727.20
Cutlass	88-96	Front Brake Pad		0376.20
Cutlass	94-96	Front Brake Pad		0376.20
Cutlass	94-96	Rear Brake Pad		0508.20
Cutlass	88-93	Front Brake Pad		0376.20
Cutlass	88-93	Rear Brake Pad		0377.20
Cutlass	78-88	Front Brake Pad		0154.20
Cutlass	67-77	Front Brake Pad		0052.20
Intrigue	98-02	Front Brake Pad		0699.20



Pad Part Numbering System

WWW.XX

FMSI /
Pad
Shape

Compound

Status Key

P = Current Production Part.
 SO = Special Order. Limited stock may exist.
 DS = Deplete Stock.
 Limited stock may exist.
 Prices subject to change without notice.

BRAKE PADS MAKE/MODEL GUIDE				
Make / Model	Year	Front / Rear	Qualifier	PFC Part #
Intrigue	98-02	Rear Brake Pad		0814.20
Omega	80-84	Front Brake Pad	FWD	0289.20
Omega	73-79	Front Brake Pad	RWD	0052.20
Silhouette	02-04	Front Brake Pad	AWD	0844.20
Silhouette	02-04	Rear Brake Pad	AWD	0814.20
Silhouette	97-04	Front Brake Pad		0699.20
Silhouette	97-04	Rear Brake Pad		0814.20
Silhouette	94-96	Front Brake Pad		0623.20
Silhouette	92-93	Front Brake Pad		0505.20
Silhouette	90-91	Front Brake Pad		0215.20
Toronado	93-92	Front Brake Pad		0505.20
Toronado	93-92	Rear Brake Pad		0508.20
Toronado	79-85	Front Brake Pad		0154.20
Toronado	79-85	Rear Brake Pad		0154.20
Toronado	69-78	Front Brake Pad		0052.20
Vista Cruiser	69-77	Front Brake Pad		0052.20
88	94-99	Front Brake Pad	FWD	0623.20
88	92-93	Front Brake Pad	FWD	0505.20
88	86-92	Front Brake Pad	RWD	0052.20
88	86-91	Front Brake Pad	FWD	0215.20
88	67-85	Front Brake Pad	RWD	0052.20
98	94-96	Front Brake Pad	FWD	0623.20
98	91-93	Front Brake Pad	FWD	0505.20
98	85-90	Front Brake Pad	FWD	0215.20
98	69-84	Front Brake Pad	RWD	0052.20
PANOZ				
AIV Roadster	94-01	Front Brake Pad		0412.20
Esperante	01	Front Brake Pad		0412.20
PETERBILT				
220	07-08	Front Brake Pad		1032.10
220	07-08	Front Brake Pad		1032.10
325, 335	08-10	Front Brake Pad	w/ Bosch 66mm Piston Caliper	0786.10 or 0786.20
325, 335	08-10	Front Brake Pad	w/ Bosch 73mm Piston Caliper	0786.11 or 0786.21
325, 335	08-10	Rear Brake Pad	w/ Bosch 66mm Piston Caliper	0786.10 or 0786.20
325, 335	08-10	Rear Brake Pad	w/ Bosch 73mm Piston Caliper	0786.11 or 0786.21
325, 330, 335	08-10	Rotor Assembly	Fits ITE Rotor number 3531661C2 5 Hole	381.089.20
325, 330, 335	08-10	Rotor Assembly	Fits Meritor Rotor number 23-123572-004 6 Hc	381.089.30
325, 330, 335	08-10	Rotor Assembly	Fits ITE Rotor number 3531662C2	381.082.20
325, 330, 335	08-10	Rotor Assembly	Fits ITE Rotor number 3531663C2	381.113.20
PLYMOUTH				
Acclaim	90-95	Front Brake Pad	w/ rear rotor	0522.20
Acclaim	90-95	Rear Brake Pad	w/ rear rotor	0782.20
Acclaim	91-95	Front Brake Pad	w/ rear drum	0521.20
Breeze	96-00	Front Brake Pad		0650.20
Breeze	96-00	Rear Brake Pad		0782.20
Colt Vista	92-94	Front Brake Pad		0484.20
Grand Fury	74-77	Front Brake Pad		0269.10
Laser	89-94	Front Brake Pad	FWD from 4/01/89	0484.20
Laser	92-94	Front Brake Pad	AWD only	0530.20
Neon	99-00	Front Brake Pad		0591.20
Neon	98-01	Front Brake Pad	w/ rear rotor	0591.20
Neon	98-01	Rear Brake Pad	w/ rear rotor	0782.20
Neon	94-97	Front Brake Pad	w/ 5 lugs	0591.20
Neon	94-97	Rear Brake Pad	w/ 5 lugs	0782.20
Neon	95-97	Front Brake Pad	w/ 4 lugs	0633.20
Prowler	97-02	Front Brake Pad		0591.20
Sundance	91-94	Front Brake Pad		0521.20
Van - Full Size	74-83	Front Brake Pad	100, 150, 200, 250, 300 series	0269.10
Voyager	96-00	Front Brake Pad		0591.20
Voyager	92-95	Front Brake Pad	w/ 14" wheels	0521.20
Voyager	92-95	Front Brake Pad	w/ 15" wheels	0522.20
Grand Voyager	96-00	Front Brake Pad		0591.20
Grand Voyager	92-95	Front Brake Pad	w/ 14" wheels	0521.20
Grand Voyager	92-95	Front Brake Pad	w/ 15" wheels	0522.20



Pad Part Numbering System

WWW.XX

FMSI /
Pad
Shape

Compound

Status Key

P = Current Production Part.
 SO = Special Order. Limited stock may exist.
 DS = Deplete Stock.
 Limited stock may exist.
 Prices subject to change without notice.

BRAKE PADS MAKE/MODEL GUIDE				
Make / Model	Year	Front / Rear	Qualifier	PFC Part #
PONTIAC				
6000	90-91	Front Brake Pad	except 4 wheel drive	0215.20
6000	88-91	Front Brake Pad	Four wheel drive	0215.20
6000	85-89	Front Brake Pad	w/ HD brake (10.41" rotor) cpe, sedan, wag	0215.20
6000	85-89	Front Brake Pad	w/ Std brake (9.86" rotor) cpe, sedan	0289.20
6000	84-89	Front Brake Pad	w/ rear rotor brake	0215.20
6000	84	Front Brake Pad	Station Wagon only	0215.20
6000	83-84	Front Brake Pad	w/ HD brake (10.41" rotor)	0215.20
6000	82-89	Front Brake Pad	w/ Std brake (9.86" rotor)	0289.20
Aztek	01-05	Front Brake Pad		0844.20
Aztek	01-05	Rear Brake Pad		0814.20
Bonneville	05	Front Brake Pad	SLE	1076.20
Bonneville	05	Rear Brake Pad	SLE	0508.20
Bonneville	00-05	Front Brake Pad	Except GXP Model	0699.20
Bonneville	00-05	Rear Brake Pad	Except GXP Model	0508.20
Bonneville	99	Front Brake Pad		0623.20
Bonneville	94-98	Front Brake Pad		0623.20
Bonneville	92-93	Front Brake Pad		0505.20
Bonneville	87-91	Front Brake Pad		0215.20
Bonneville	82-86	Front Brake Pad		0154.20
Bonneville	69-81	Front Brake Pad		0052.20
Firebird	98-02	Front Brake Pad		0749.20
Firebird	94-97	Front Brake Pad		0623.20
Firebird	94-97	Rear Brake Pad		0413.20
Firebird	93	Front Brake Pad		0505.20
Firebird	93	Rear Brake Pad		0413.20
Firebird	89-92	Front Brake Pad	w/ 1 LE (two piston front caliper)	0412.20
Firebird	89-92	Rear Brake Pad	w/ 1 LE (two piston front caliper)	0413.20
Firebird	82-92	Front Brake Pad	w/ single piston front caliper	0154.20
Firebird	82-92	Rear Brake Pad	w/ single piston front caliper	0413.20
Firebird	82-88	Front Brake Pad	w/ rear rotor	0154.20
Firebird	82-88	Rear Brake Pad	w/ rear rotor	0154.20
Firebird	69-81	Front Brake Pad	including 79 on w/ rear rotor	0052.20
Firebird	69-81	Rear Brake Pad	including 79 on w/ rear rotor	0154.20
Firebird	69-70	Front Brake Pad	w/ four wheel disc brakes	0008.20
Firebird	69-70	Rear Brake Pad	w/ four wheel disc brakes	0008.20
G8	09	Front Brake Pad	GXP	1001.11
G8	08-09	Rear Brake Pad		1352.20
Grand AM	99-05	Front Brake Pad		0727.20
Grand AM	99-05	Rear Brake Pad		0814.20
Grand AM	91-98	Front Brake Pad		0506.20
Grand AM	85-90	Front Brake Pad		0289.20
Grand Prix	97-08	Front Brake Pad		0699.20
Grand Prix	97-08	Rear Brake Pad		0814.20
Grand Prix	94-96	Front Brake Pad		0376.20
Grand Prix	94-96	Rear Brake Pad		0508.20
Grand Prix	88-93	Front Brake Pad	FWD	0376.20
Grand Prix	88-93	Rear Brake Pad	FWD	0377.20
Grand Prix	78-87	Front Brake Pad	RWD	0154.20
Grand Prix	69-77	Front Brake Pad		0052.20
GTO	05-06	Front Brake Pad		0731.20
LeMans-Tempest	78-81	Front Brake Pad	RWD	0154.20
LeMans-Tempest-GTO	69-77	Front Brake Pad		0052.20
Montana	05	Front Brake Pad	FWD	0699.20
Montana	05	Rear Brake Pad	FWD	0814.20
Montana	02-05	Front Brake Pad	AWD	0844.20
Montana	02-05	Rear Brake Pad	AWD	0814.20
Montana	02-04	Front Brake Pad	w/ drum rear	0699.20
Montana	99-01	Front Brake Pad		0699.20
Parisienne	83-86	Front Brake Pad		0052.20
Phoenix	80-84	Front Brake Pad	FWD	0289.20
Phoenix	77-79	Front Brake Pad	RWD	0052.20
Safari	87-89	Front Brake Pad	RWD wagon	0052.20
Sunbird	92-94	Front Brake Pad		0506.20



Pad Part Numbering System

WWW.XX

FMSI /
Pad
Shape

Compound

Status Key

P = Current Production Part.
 SO = Special Order. Limited stock may exist.
 DS = Deplete Stock.
 Limited stock may exist.
 Prices subject to change without notice.

BRAKE PADS MAKE/MODEL GUIDE

Make / Model	Year	Front / Rear	Qualifier	PFC Part #
Sunbird - J2000	82-91	Front Brake Pad		0289.20
Sunfire	95-05	Front Brake Pad		0506.20
Tempest	92-93	Front Brake Pad	Canada only	0506.20
Tempest	88-91	Front Brake Pad	Canada only	0289.20
Tempest-GTO	69-75	Front Brake Pad	w/ frt rotor	0052.20
Transport	97-05	Front Brake Pad	inc Montana	0699.20
Transport	97-05	Rear Brake Pad	inc Montana	0814.20
Transport	94-96	Front Brake Pad		0623.20
Transport	92-93	Front Brake Pad		0505.20
Transport	90-91	Front Brake Pad		0215.20
Ventura	77-71	Front Brake Pad		0052.20
Vibe	03-06	Front Brake Pad	all	0923.20
PORSCHE				
356	55-66	Front Brake Pad	A,B,C with front rotor	0031.20
904	65-66	Front Brake Pad	GT	0031.20
911 (997)	05-06	Front Brake Pad	C2	0776 shape in race
911 (997)	05-06	Rear Brake Pad	C2	0738 shape in race
911 (997)	06	Front Brake Pad	Carrera	0776 shape in race
911 (997)	06	Rear Brake Pad	Carrera	0738 shape in race
911 (996)	01-05	Front Brake Pad	GT2, GT3 (w/ iron rotors identical in dimensions)	7819 shape in race
911 (996)	01-05	Rear Brake Pad	GT2, GT3 (w/ iron rotors identical in dimensions)	0776 shape in race
911 (996)	99-02	Front Brake Pad		0776.10
911 (996)	99-02	Rear Brake Pad		0738.10
911 (996)	99-05	Front Brake Pad	C2, C4	0776 shape in race
911 (996)	99-05	Rear Brake Pad	C2, C4	0738 shape in race
911 (993)	1998	Front Brake Pad	Carrera, Carrera 4, Carrera 4S, Carrera S, Targa	0776.10
911 (993)	1998	Rear Brake Pad	Carrera, Carrera 4, Carrera 4S, Carrera S, Targa	0738.10
911 (993)	96-98	Front Brake Pad	C2, C2S, C4, Targa, Cabrio	0447.20
911 (993)	96-98	Rear Brake Pad	C2, C2S, C4, Targa, Cabrio	0345.20
911 (993)	96-98	Front Brake Pad	C4S, Turbo, Turbo S	0594.10
911 (993)	96-98	Rear Brake Pad	C4S, Turbo, Turbo S	0447.20
911 (993)	95	Front Brake Pad	C2,	0345.20
911 (993)	95	Rear Brake Pad	C2,	0345.20
911 (993)	95	Front Brake Pad	C2 with Sport option, C4	0447.20
911 (993)	95	Rear Brake Pad	C2 with Sport option, C4	0345.20
911 (993)	95	Front Brake Pad	C2, C4	0345.20
911 (993)	95	Rear Brake Pad	C2, C4	0345.20
911 (964)	89-94	Front Brake Pad	C4	0345.20
911 (964)	89-94	Rear Brake Pad	C4	0345.20
911 (964)	92-94	Front Brake Pad	C2, RS America	0345.20
911 (964)	92-94	Rear Brake Pad	C2, RS America	0345.20
911 (964)	90-91	Front Brake Pad	C2, Carrera	0345.20
911 (964)	94-95	Front Brake Pad	Turbo	0594.10
911 (964)	94-95	Rear Brake Pad	Turbo	0345.20
911 (964)	91-93	Front Brake Pad	Turbo	0447.20
911 (964)	91-93	Rear Brake Pad	Turbo	0345.20
911 (930)	78-90	Front Brake Pad	Turbo	0345.20
911 (930)	78-90	Rear Brake Pad	Turbo	0345.20
911 (930)	76-77	Front Brake Pad	Turbo	0045.20
911 (930)	76-77	Rear Brake Pad	Turbo	0031.20
911	75-89	Front Brake Pad	S, SC, Carrera	0045.20
911	75-89	Rear Brake Pad	S, SC, Carrera	0031.20
911	69-74	Front Brake Pad	S,T,E,Carrera RS with S or A calipers	0045.20
911	69-74	Rear Brake Pad	S,T,E,Carrera RS with S or A calipers	0031.20
911	68-69	Front Brake Pad	S,T,E,L with A calipers	0045.20
911	69-75	Front Brake Pad	with M calipers w/ vented rotors	0031.20
911	69-75	Rear Brake Pad	with M calipers w/ vented rotors	0031.20
911	65-68	Front Brake Pad	S, L, with M calipers	0031.20
911 (901)	63-66	Front Brake Pad		0031.20
912E	76	Front Brake Pad	solid rotor F/R M calipers	0031.20
912E	76	Rear Brake Pad	solid rotor F/R M calipers	0031.20
912	66-69	Front Brake Pad		0031.20
914	70-76	Front Brake Pad	4 and 6 Cylinder	0031.20
924, 924S	85-88	Front Brake Pad		0443.20



Pad Part Numbering System

WWW.XX

FMSI /
Pad
Shape

Compound

Status Key

P = Current Production Part.
 SO = Special Order. Limited stock may exist.
 DS = Deplete Stock.
 Limited stock may exist.
 Prices subject to change without notice.

BRAKE PADS MAKE/MODEL GUIDE				
Make / Model	Year	Front / Rear	Qualifier	PFC Part #
924 Turbo	79-6/82	Front Brake Pad		0443.20
928GT-S	92-95	Front Brake Pad	5.4 Ltr.	0594.20
928GT-S	92-95	Rear Brake Pad	5.4 Ltr.	0345.20
928GT	89-92	Front Brake Pad	5.0 Ltr.	0447.20
928GT	89-92	Rear Brake Pad	5.0 Ltr.	0345.20
928	9/85-88	Front Brake Pad	S, S4,CS	0447.20
928	9/85-88	Rear Brake Pad	S, S4,CS	0345.20
928, 928S	1/80-8/85	Front Brake Pad	w/ ATE Pin slider caliper	0395.11 or 0395.20
928	77-12/79	Front Brake Pad	w/ ATE Yoke mount caliper	0443.20
944 S2	9/89-91	Front Brake Pad	3.0 Ltr.	0345.20
944 S2	9/89-91	Rear Brake Pad	3.0 Ltr.	0345.20
944	4/85-91	Front Brake Pad	Turbo	0345.20
944	4/85-91	Rear Brake Pad	Turbo	0345.20
944	88-91	Front Brake Pad	Turbo S	0447.20
944	88-91	Rear Brake Pad	Turbo S	0345.20
959	87-91	Front Brake Pad	3.0 turbo four wheel drive	0447.20
959	87-91	Rear Brake Pad	3.0 turbo four wheel drive	0447.20
968	92-95	Front Brake Pad	Coupe, Cabrio, standard brake	0345.20
968	92-95	Rear Brake Pad	Coupe, Cabrio, standard brake	0345.20
968	92-95	Front Brake Pad	Coupe, Cabrio, sport brake	0447.20
968	92-95	Rear Brake Pad	Coupe, Cabrio, sport brake	0345.20
Boxster	2002	Front Brake Pad	3.2 Liter	0776.10
Boxster	2002	Rear Brake Pad	3.2 Liter	0738.10
Boxster S	99-04	Front Brake Pad		0776 shape in race
Boxster S	99-04	Rear Brake Pad		0738 shape in race
RAM - See Dodge Truck				
SAAB				
9-2X	05-06	Front Brake Pad	AWD	0929.10
9-4X	11	Rear Brake Pad		1337.10
9-7X	06-09	Front Brake Pad		1169.20
9-7X	06-09	Rear Brake Pad		0883.20
9-7X	05	Front Brake Pad		0882.20
9-7X	05	Rear Brake Pad		0883.20
99	68-74	Front Brake Pad		0031.20
SATURN				
Outlook	07-10	Front Brake Pad		1169.20
Outlook	10	Rear Brake Pad		1507.20
Outlook	07-09	Rear Brake Pad		0883.20
SC, SL, SW	91-00	Front Brake Pad		0507.20
SC, SL, SW	91-00	Rear Brake Pad		0508.20
Vue	02-07	Front Brake Pad		0833.20
STERLING				
Acterra M5500/6500/7500	98-07	Front Brake Pad	w/ Bosch 66mm Piston Caliper	0786.10 or 0786.20
Acterra M5500/6500/7500	98-07	Rear Brake Pad	w/ Bosch 66mm Piston Caliper	0786.10 or 0786.20
Acterra M5500/6500/7500	98-07	Front Brake Pad	w/ Bosch 73mm Piston Caliper	0786.11 or 0786.21
Acterra M5500/6500/7500	98-07	Rear Brake Pad	w/ Bosch 73mm Piston Caliper	0786.11 or 0786.21
Acterra M5500/6500/7500	98-07	Front Brake Pad	w/ 2.88" Rail Slider Caliper	0225.10 or 0225.20
Acterra M5500/6500/7500	98-07	Rear Brake Pad	w/ 2.88" Rail Slider Caliper	0225.10 or 0225.20
SUBARU				
Baja	03-06	Front Brake Pad		0929.10
Forester	02-10	Front Brake Pad	after3/1/2002	0929.10
Imprezza	01-12	Front Brake Pad	WRX Sti	1001.11
Imprezza	02-10	Front Brake Pad	Except WRX	0929.10
Imprezza	03-05	Front Brake Pad	WRX Except Sti	0929.10
Imprezza	01-08	Rear Brake Pad	WRX Sti	0109.10
Imprezza	02-10	Front Brake Pad	2.5 RS/TS	0929.10
Legacy	06-12	Front Brake Pad	2.5i	0929.10
Legacy	02-05	Front Brake Pad		0929.10
Outback	02-12	Front Brake Pad	exc. 3.6R	0929.10
SVX	92-97	Front Brake Pad		0333.20
SUZUKI				
SX4	09-12	Front Brake Pad		0815.20
SX4	09-12	Rear Brake Pad	AWD	0537.20
SX4	07-08	Front Brake Pad		0526.20



Pad Part Numbering System

WWW.XX

FMSI /
Pad
Shape

Compound

Status Key

P = Current Production Part.
 SO = Special Order. Limited stock may exist.
 DS = Deplete Stock.
 Limited stock may exist.
 Prices subject to change without notice.

BRAKE PADS MAKE/MODEL GUIDE				
Make / Model	Year	Front / Rear	Qualifier	PFC Part #
SX4	07-08	Rear Brake Pad		0537.20
THOMAS SCHOOL BUS				
Ford chassis	to 98	Front Brake Pad	w/ Dayton 2.88 caliper	0236.20
Ford chassis	to 98	Rear Brake Pad	w/ Dayton 2.88 caliper	0236.20
Ford chassis	to 98	Front Brake Pad	w/ Dayton 2.50 caliper	0224.10 or 0224.20
Ford chassis	to 98	Rear Brake Pad	w/ Dayton 2.50 caliper	0224.10 or 0224.20
Freightliner / Navistar chassis	99-07	Front Brake Pad	w/ Bosch 66mm Piston Caliper	0786.10 or 0786.20
Freightliner / Navistar chassis	99-07	Rear Brake Pad	w/ Bosch 73mm Piston Caliper	0786.11 or 0786.21
*To determine proper part: 0786.10=66mm caliper / 0786.11=73mm caliper				
Freightliner chassis	to 98	Front Brake Pad	w/ Bendix 3.38/2.60 caliper	0184.10 or 0184.20
Freightliner chassis	to 98	Rear Brake Pad	w/ Bendix 3.38/2.60 caliper	0184.10 or 0184.20
FS65	00-07	Front Brake Pad	w/ Bosch 66mm Piston Caliper	0786.10 or 0786.20
FS65	00-07	Rear Brake Pad	w/ Bosch 66mm Piston Caliper	0786.10 or 0786.20
FS65	95-00	Front Brake Pad	w/ Bendix 3.38/2.60 caliper	0184.10 or 0184.20
FS65	95-00	Rear Brake Pad	w/ Bendix 3.38/2.60 caliper	0184.10 or 0184.20
FS65	95-00	Front Brake Pad	w/ Bendix 2.88 caliper	0225.10 or 0225.20
FS65	95-00	Rear Brake Pad	w/ Bendix 2.88 caliper	0225.10 or 0225.20
HDX	00-07	Front Brake Pad	w/ Bosch 66mm Piston Caliper	0786.10 or 0786.20
HDX	00-07	Rear Brake Pad	w/ Bosch 73mm Piston Caliper	0786.11 or 0786.21
HDX	89-00	Front Brake Pad	w/ Bendix 3.38/2.60 caliper	0184.10 or 0184.20
HDX	89-00	Rear Brake Pad	w/ Bendix 3.38/2.60 caliper	0184.10 or 0184.20
HDX	89-00	Front Brake Pad	w/ Bendix 2.88 caliper	0225.10 or 0225.20
HDX	89-00	Rear Brake Pad	w/ Bendix 2.88 caliper	0225.10 or 0225.20
Minotour	02-07	Front Brake Pad	w/ 4 piston caliper	0769.10
Minotour	02-07	Front Brake Pad	w/ Bosch 66mm Piston Caliper	0786.10 or 0786.20
Minotour	02-07	Front Brake Pad	w/ Bosch 73mm Piston Caliper	0786.11 or 0786.21
Minotour	02-07	Rear Brake Pad	w/ 4 piston caliper	0769.10
Minotour	02-07	Rear Brake Pad	w/ Bosch 66mm Piston Caliper	0786.10 or 0786.20
Minotour	02-07	Rear Brake Pad	w/ Bosch 73mm Piston Caliper	0786.11 or 0786.21
Minotour	00-01	Front Brake Pad	Ford Chassis with rear rotor	0655.10 or .20
Minotour	00-01	Rear Brake Pad	Ford Chassis with rear rotor	0702.20
Minotour	95-00	Front Brake Pad	Ford chassis with rear drum	0655.10 or .20
Minotour	88-98	Front Brake Pad	Ford Chasis with four wheel rotor	0411.10 or .20
Minotour	88-98	Rear Brake Pad	Ford Chasis with four wheel rotor	0411.10 or .20
Minotour	92-94	Front Brake Pad	Ford chasis with rear drum	0557.20
Minotour	to 91	Front Brake Pad	Ford chasis with rear drum	0450.20
Minotour	79-97	Front Brake Pad	GM chassis	0149.20
Navistar chassis	to 98	Front Brake Pad	w/ Bendix 2.88 caliper	0225.10 or 0225.20
Navistar chassis	to 98	Rear Brake Pad	w/ Bendix 2.88 caliper	0225.10 or 0225.20
Safe-T-Liner C2	02-07	Front Brake Pad	w/ 4 piston caliper	0769.10
Safe-T-Liner C2	02-07	Front Brake Pad	w/ Bosch 66mm Piston Caliper	0786.10 or 0786.20
Safe-T-Liner C2	02-07	Front Brake Pad	w/ Bosch 73mm Piston Caliper	0786.11 or 0786.21
Safe-T-Liner C2	02-07	Rear Brake Pad	w/ 4 piston caliper	0769.10
Safe-T-Liner C2	02-07	Rear Brake Pad	w/ Bosch 66mm Piston Caliper	0786.10 or 0786.20
Safe-T-Liner C2	02-07	Rear Brake Pad	w/ Bosch 73mm Piston Caliper	0786.11 or 0786.21
Transit Liner -EF	82-97	Front Brake Pad	w/ Bendix 3.38/2.60 caliper	0184.10 or 0184.20
Transit Liner -EF	82-97	Rear Brake Pad	w/ Bendix 3.38/2.60 caliper	0184.10 or 0184.20
Transit Liner -EF	82-97	Front Brake Pad	w/ Bendix 2.88 caliper	0225.10 or 0225.20
Transit Liner -EF	82-97	Rear Brake Pad	w/ Bendix 2.88 caliper	0225.10 or 0225.20
Vista	79-98	Front Brake Pad	w/ Bendix 2.88 caliper	0225.10 or 0225.20
Vista	79-98	Rear Brake Pad	w/ Bendix 2.88 caliper	0225.10 or 0225.20
Vista	79-98	Front Brake Pad	w/ Bendix 3.38/2.60 caliper	0184.10 or 0184.20
Vista	79-98	Rear Brake Pad	w/ Bendix 3.38/2.60 caliper	0184.10 or 0184.20
*To determine proper part: 0786.10=66mm caliper / 0786.11=73mm caliper				
TOYOTA - CAR				
Avalon	98-04	Front Brake Pad		0707.20
Avalon	95-97	Front Brake Pad		0476.20
Camry	00-01	Front Brake Pad	V6	0707.20
Camry	97-99	Front Brake Pad	V6	0707.20
Camry	97-99	Rear Brake Pad	V6	0325.20
Camry	92-96	Front Brake Pad	V6	0476.20
Camry	92-96	Rear Brake Pad	V6	0325.20
Camry	00-01	Front Brake Pad	4 Cyl w/15" wheels	0476.20
Camry	00-01	Rear Brake Pad	4 Cyl w/15" wheels	0325.20



Pad Part Numbering System

WWW.XX

FMSI /
Pad
Shape

Compound

Status Key

P = Current Production Part.
 SO = Special Order. Limited stock may exist.
 DS = Deplete Stock.
 Limited stock may exist.
 Prices subject to change without notice.

BRAKE PADS MAKE/MODEL GUIDE				
Make / Model	Year	Front / Rear	Qualifier	PFC Part #
Camry	00-01	Front Brake Pad	4 Cyl w/ 14" wheels	0562.20
Camry	00-01	Rear Brake Pad	4 Cyl w/ 14" wheels	0325.20
Camry	92-99	Front Brake Pad	4 Cyl only	0562.20
Camry	92-99	Rear Brake Pad	4 Cyl only	0325.20
Camry	87-91	Front Brake Pad		0356.20
Camry	87-91	Rear Brake Pad		0325.20
Camry	83-86	Front Brake Pad		0242.20
Celica	96-99	Front Brake Pad	GT Coupe & Convertible	0476.20
Celica	94-95	Front Brake Pad	GT Coupe & Convertible	0476.20
Celica	94-95	Rear Brake Pad	GT Coupe & Convertible	0325.20
Celica	94-98	Front Brake Pad	With rear drum	0562.20
Celica	90-93	Front Brake Pad	GT,GTS	0356.20
Celica	90-93	Rear Brake Pad	GT,GTS	0325.20
Celica	92-93	Front Brake Pad	ST & Convertible	0356.20
Celica	90-91	Front Brake Pad	w/ All-Trac 4WD-Turbo	0356.20
Celica	90-91	Front Brake Pad	GT,GTS & Convertible	0356.20
Celica	90-91	Front Brake Pad	ST	0242.20
Celica	88-89	Front Brake Pad	GTS w/ ABS brakes	0356.20
Celica	86-89	Front Brake Pad	GTS without ABS brakes	0242.20
Celica	88-89	Front Brake Pad	GT,ST	0242.20
Celica	86-87	Front Brake Pad	GT	0242.20
Corolla XRS	05-08	Front Brake Pad		0923.20
Corolla	03-08	Front Brake Pad		0923.20
Corolla	99-02	Front Brake Pad		0741.20
Corolla	93-97	Front Brake Pad		0562.20
Corolla	84-92	Front Brake Pad	except 84-87 Coupe-GTS (AE86)	0242.20
Cressida	89-92	Front Brake Pad		0433.20
Cressida	81-88	Front Brake Pad		0207.20
Matrix	03-08	Front Brake Pad		0923.20
MR2	85-95	Front Brake Pad	except turbo	0242.20
Paseo	92-98	Front Brake Pad		0242.20
Solara	00-03	Front Brake Pad	All	0707.20
Solara	99	Front Brake Pad	V6	0707.20
Solara	99	Rear Brake Pad	V6	0325.20
Solara	99	Front Brake Pad	4Cyl	0707.20
Supra	94-98	Front Brake Pad	Non Turbo	0619.20
Tercel	83-98	Front Brake Pad		0242.20
TOYOTA - TRUCK/SUV/VAN				
4 Runner	03-12	Front Brake Pad		0976.20
4 Runner	01-02	Front Brake Pad		0436.20
4 Runner	92-00	Front Brake Pad		0611.20
FJ Cruiser	07-12	Front Brake Pad		0976.20
Land Cruiser	98-01	Front Brake Pad	Model UZJ100	0812.20
Land Cruiser	91-97	Front Brake Pad	Model FZJ80	0502.20
Pickup	89-95	Front Brake Pad	2WD Standard w/ 4-speed MT only	0207.20
Pickup	89-95	Front Brake Pad	2WD Deluxe w/ AT or 5-speed MT	0433.20
Pickup	89-95	Front Brake Pad	2WD w/ V6 Eng. (Except Cab/Chassis)	0433.20
Pickup	84-88	Front Brake Pad	2WD w/ L4 Eng. (Except Cab/Chassis)	0207.20
Pickup	89-93	Front Brake Pad	2WD - V6 Cab/Chassis vehicles	0438.20
Pickup	85-88	Front Brake Pad	2WD - L4 Cab/Chassis vehicles	0438.20
Pickup	89-95	Front Brake Pad	4WD	0436.20
Pickup T-100	93-98	Front Brake Pad	4WD Half Ton	0436.20
RAV4	01-03	Front Brake Pad	EV Models only	0562.20
RAV4	96-00	Front Brake Pad		0562.20
Sequoia	03-07	Front Brake Pad		0976.20
Sequoia	01-02	Front Brake Pad	w/ retrofit Caliper	0976.20
Sequoia	01-02	Front Brake Pad	w/ original front caliper	0812.20
Sienna	98-03	Front Brake Pad	Van	0476.20
Tacoma	11-13	Front Brake Pad	4WD	0976.20
Tacoma	05-10	Front Brake Pad	Pre-Runner, Base, 4WD	0976.20
Tacoma	05	Front Brake Pad	2wd Pre-Runner, 4WD	0976.20
Tacoma	95-04	Front Brake Pad	2WD Except PreRunner	0433.20
Tacoma	99-02	Front Brake Pad	PreRunnerWD w/ 4Cyl & 6Cyl	0436.20
Tacoma	95-98	Front Brake Pad	4WD	0436.20



Pad Part Numbering System

WWW.XX

FMSI /
Pad
Shape

Compound

Status Key

P = Current Production Part.
 SO = Special Order. Limited stock may exist.
 DS = Deplete Stock.
 Limited stock may exist.
 Prices subject to change without notice.

BRAKE PADS MAKE/MODEL GUIDE				
Make / Model	Year	Front / Rear	Qualifier	PFC Part #
Tundra	03-06	Front Brake Pad	2WD & 4WD	0976.20
Tundra	99-02	Front Brake Pad	2WD & 4WD	0812.20
VECTOR MOTOR HOME				
Motorhome	88-98	Front Brake Pad	Ford chassis 4 wheel rotor	0411.10 or .20
Motorhome	88-98	Rear Brake Pad	Ford chassis 4 wheel rotor	0411.10 or .20
Motorhome	74-98	Front Brake Pad	GM chassis	0149.20
Motorhome	74-98	Rear Brake Pad	GM chassis	0149.20
Motorhome	92-98	Front Brake Pad	Freightliner chassis	0184.10 or 0184.20
Motorhome	92-98	Rear Brake Pad	Freightliner chassis	0184.10 or 0184.20
VOLKSWAGEN				
411, 412	69-74	Front Brake Pad		0031.20
Beetle	99-10	Front Brake Pad	New w/ Turbo inc convert 2.5l engine, w/288mm rotors	0687.10
Bus-Type II	71-85	Front Brake Pad	With ATE or GIRLING calipers	0045.20
Cabrio	85-93	Front Brake Pad		0280.20
Golf	96-06	Front Brake Pad	Gti, GLS Turbo,	0687.10
Golf	06	Front Brake Pad	Gti VR6 2.8	0687.10
Golf	96-05	Front Brake Pad	GLX inc VR6	0687.10
Golf	03-05	Front Brake Pad	GLX VR6 w/ 2.8L Engine	0687.10
Golf	04-05	Front Brake Pad	GTI 1.8 Turbo	0687.10
Golf	93	Front Brake Pad	With rear drum	0280.20
Golf	85-92	Front Brake Pad	All models	0280.20
Jetta	02-05	Front Brake Pad	GLS Turbo	0687.10
Jetta	96-05	Front Brake Pad	VR6	0687.10
Jetta	91-93	Front Brake Pad	With rear drum	0280.20
Jetta	83-89	Front Brake Pad		0280.20
Passat	96-97	Front Brake Pad	GLX VR6	0687.10
Quantum	85-88	Front Brake Pad	Except syncro	0280.20
Quantum	83-84	Front Brake Pad	Five cylinder	0280.20
Rabbit	83-87	Front Brake Pad	Conv.	0280.20
Rabbit	83-84	Front Brake Pad	except GTI	0280.20
Rabbit	79-80	Front Brake Pad	With auto trans.	0280.20
Routan	12	Front Brake Pad	HD	1589.20
Routan	12	Rear Brake Pad	HD	1596.20
Routan	12	Front Brake Pad	Std.	1327.20
Routan	12	Rear Brake Pad	Std.	1326.20
Routan	09-11	Front Brake Pad		1327.20
Routan	09-11	Rear Brake Pad		1326.20
Scirocco	86-90	Front Brake Pad	Four wheel rotor except 16V	0280.20
Scirocco	85-90	Front Brake Pad	With rear drum	0280.20
Type III	72-73	Front Brake Pad	Fastback and Squareback	0031.20
VOLVO				
850	94-96	Rear Brake Pad		0031.20
C70	98-05	Rear Brake Pad	inc. convertible	0031.20
S60	04	Rear Brake Pad	opt	0031.20
S60	04-06	Front Brake Pad	Type R	1001.11
S70	98-01	Rear Brake Pad	inc XC	0031.20
V70	04-06	Front Brake Pad	Type R AWD	1001.11
WINNEBAGO				
Adventure	99-01	Front Brake Pad	Freightliner chassis w/ Bosch 66mm Piston Caliper	0786.10 or 0786.20
Adventure	99-01	Rear Brake Pad	Freightliner chassis w/ Bosch 66mm Piston Caliper	0786.10 or 0786.20
Adventure	to 98	Front Brake Pad	Freightliner chasis w/ Bendix 3.38/2.60 caliper	0184.10 or 0184.20
Adventure	to 98	Rear Brake Pad	Freightliner chasis w/ Bendix 3.38/2.60 caliper	0184.10 or 0184.20
Adventure	to 98	Front Brake Pad	Ford chassis with Dayton 2.88 caliper	0236.20
Adventure	to 98	Rear Brake Pad	Ford chassis with Dayton 2.88 caliper	0236.20
Adventure	to 98	Front Brake Pad	Ford chassis with Dayton 2.50 caliper	0224.10 or 0224.20
Adventure	to 98	Rear Brake Pad	Ford chassis with Dayton 2.50 caliper	0224.10 or 0224.20
Adventure	to 98	Front Brake Pad	GM chassis w/ Delco caliper	0149.20
Adventure	to 98	Rear Brake Pad	GM chassis w/ Delco caliper	0149.20
Adventure	to 98	Front Brake Pad	GM chassis w/ Bosch caliper	0184.10 or 0184.20
Adventure	to 98	Rear Brake Pad	GM chassis w/ Bosch caliper	0184.10 or 0184.20



Pad Part Numbering System

WWW.XX

FMSI /
Pad
Shape

Compound

Status Key

P = Current Production Part.
 SO = Special Order. Limited stock may exist.
 DS = Deplete Stock.
 Limited stock may exist.
 Prices subject to change without notice.

BRAKE PADS MAKE/MODEL GUIDE				
Make / Model	Year	Front / Rear	Qualifier	PFC Part #
Chieftan	99-01	Front Brake Pad	Freightliner chassis w/ Bosch 66mm Piston Caliper	0786.10 or 0786.20
Chieftan	99-01	Rear Brake Pad	Freightliner chassis w/ Bosch 66mm Piston Caliper	0786.10 or 0786.20
Chieftan	98	Front Brake Pad	Freightliner chassis w/ Bendix 3.38/2.60 caliper	0184.10 or 0184.20
Chieftan	98	Rear Brake Pad	Freightliner chassis w/ Bendix 3.38/2.60 caliper	0184.10 or 0184.20
Chieftan	98	Front Brake Pad	Ford chassis with Dayton 2.88 caliper	0236.20
Chieftan	98	Rear Brake Pad	Ford chassis with Dayton 2.88 caliper	0236.20
Chieftan	98	Front Brake Pad	Ford chassis with Dayton 2.50 caliper	0224.10 or 0224.20
Chieftan	98	Rear Brake Pad	Ford chassis with Dayton 2.50 caliper	0224.10 or 0224.20
Chieftan	98	Front Brake Pad	GM chassis w/ Delco caliper	0149.20
Chieftan	98	Rear Brake Pad	GM chassis w/ Delco caliper	0149.20
Chieftan	98	Front Brake Pad	GM chassis w/ Bosch caliper	0184.10 or 0184.20
Chieftan	98	Rear Brake Pad	GM chassis w/ Bosch caliper	0184.10 or 0184.20
Commercial Chassis	95-01	Front Brake Pad	SF 324RS	0655.20
Commercial Chassis	95-01	Rear Brake Pad	SF 324RS	0702.20
Commercial Chassis	92-94	Front Brake Pad	SF324RS	0557.20
Commercial Chassis	99-01	Front Brake Pad	Freightliner chassis w/ Bosch 66mm Piston Caliper	0786.10 or 0786.20
Commercial Chassis	99-01	Rear Brake Pad	Freightliner chassis w/ Bosch 66mm Piston Caliper	0786.10 or 0786.20
Commercial Chassis	95-98	Front Brake Pad	Freightliner chassis w/ Bendix 3.38/2.60 caliper	0184.10 or 0184.20
Commercial Chassis	95-98	Rear Brake Pad	Freightliner chassis w/ Bendix 3.38/2.60 caliper	0184.10 or 0184.20
Commercial Chassis	95-98	Front Brake Pad	Ford chassis with Dayton 2.88 caliper	0236.20
Commercial Chassis	95-98	Rear Brake Pad	Ford chassis with Dayton 2.88 caliper	0236.20
Commercial Chassis	95-98	Front Brake Pad	Ford chassis with Dayton 2.50 caliper	0224.10 or 0224.20
Commercial Chassis	95-98	Rear Brake Pad	Ford chassis with Dayton 2.50 caliper	0224.10 or 0224.20
Commercial Chassis	98	Front Brake Pad	GM chassis w/ Delco caliper	0149.20
Commercial Chassis	98	Rear Brake Pad	GM chassis w/ Delco caliper	0149.20
Commercial Chassis	98	Front Brake Pad	GM chassis w/ Bosch caliper	0184.10 or 0184.20
Commercial Chassis	98	Rear Brake Pad	GM chassis w/ Bosch caliper	0184.10 or 0184.20
Minnie	95-01	Front Brake Pad	Ford chassis	0655.10 or .20
Minnie	92-94	Front Brake Pad	Ford chassis	0557.20
Minnie	95-01	Rear Brake Pad	Ford chassis	0702.20
Minnie Winnie	95-01	Front Brake Pad	Ford chassis	0655.10 or .20
Minnie Winnie	95-01	Rear Brake Pad	Ford chassis	0702.20
Minnie Winnie	92-94	Front Brake Pad	Ford chassis	0557.20
WORKHORSE CUSTOM CHASSIS				
All	85-94	Front Brake Pad	w/ 13 x 2 1/2" Rear Brakes	0153.20
All	85-94	Rear Brake Pad	w/ 13 x 2 1/2" Rear Brakes	0149.20
All	85-94	Front Brake Pad	w/ 13 x 3 1/2" Rear Brakes	0149.20
All	85-94	Rear Brake Pad	w/ 13 x 3 1/2" Rear Brakes	0149.20
FT42	04-07	Front Brake Pad		1032.10
FT42	04-07	Rear Brake Pad		1032.10
LF72	04-07	Front Brake Pad		1032.10
LF72	04-07	Rear Brake Pad		1032.10
P Series	95-05	Front Brake Pad	Single Piston Caliper	0149.20
P Series	95-05	Rear Brake Pad	Single Piston Caliper	0149.20
P Series	95-05	Front Brake Pad	Dual Piston Caliper	0184.10 or 0184.20
P Series	95-05	Rear Brake Pad	Dual Piston Caliper	0184.10 or 0184.20
UFO	06-07	Front Brake Pad	Motorhome	1032.10
UFO	06-07	Rear Brake Pad	Motorhome	1032.10
W16	04-07	Front Brake Pad	Motorhome	1268.10
W16	04-07	Rear Brake Pad	Motorhome	1268.10
W18	04-07	Front Brake Pad	Motorhome	1268.10
W18	04-07	Rear Brake Pad	Motorhome	1268.10
W20	01-09	Front Brake Pad	w/ Bosch 66mm Piston Caliper	0786.10 or 0786.20
W20	01-09	Front Brake Pad	w/ Bosch 73mm Piston Caliper	0786.11 or 0786.21
W20	01-09	Rear Brake Pad	w/ Bosch 66mm Piston Caliper	0786.10 or 0786.20
W20	01-09	Rear Brake Pad	w/ Bosch 73mm Piston Caliper	0786.11 or 0786.21
W20	04-07	Front Brake Pad	Motorhome	0224.10 or 0224.20
W20	04-07	Rear Brake Pad	Motorhome	0224.10 or 0224.20
W21	01-09	Front Brake Pad	w/ Bosch 66mm Piston Caliper	0786.10 or 0786.20
W21	01-09	Front Brake Pad	w/ Bosch 73mm Piston Caliper	0786.11 or 0786.21



Pad Part Numbering System

WWW.XX

FMSI /
Pad
Shape

Compound

Status Key

P = Current Production Part.
 SO = Special Order. Limited stock may exist.
 DS = Deplete Stock.
 Limited stock may exist.
 Prices subject to change without notice.

BRAKE PADS MAKE/MODEL GUIDE				
Make / Model	Year	Front / Rear	Qualifier	PFC Part #
W21	01-09	Rear Brake Pad	w/ Bosch 66mm Piston Caliper	0786.10 or 0786.20
W21	01-09	Rear Brake Pad	w/ Bosch 73mm Piston Caliper	0786.11 or 0786.21
W22	01-09	Front Brake Pad	w/ Bosch 66mm Piston Caliper	0786.10 or 0786.20
W22	01-09	Front Brake Pad	w/ Bosch 73mm Piston Caliper	0786.11 or 0786.21
W22	01-09	Rear Brake Pad	w/ Bosch 66mm Piston Caliper	0786.10 or 0786.20
W22	01-09	Rear Brake Pad	w/ Bosch 73mm Piston Caliper	0786.11 or 0786.21
W22	04-07	Front Brake Pad	Motorhome	0224.10 or 0224.20
W22	04-07	Rear Brake Pad	Motorhome	0224.10 or 0224.20
W24	01-09	Front Brake Pad		0769.10
W24	01-09	Rear Brake Pad		0769.10
W24	04-07	Front Brake Pad	Motorhome	1032.10
W24	04-07	Rear Brake Pad	Motorhome	1032.10
W25	01-09	Front Brake Pad		1032.10
W25	01-09	Front Brake Pad		1032.10
W25	01-09	Rear Brake Pad		1032.10
W25	01-09	Rear Brake Pad		1032.10
W42	08-09	Front Brake Pad	w/ 68mm Piston	1027.10
W42	08-09	Front Brake Pad	w/ Bosch 66mm Piston Caliper	0786.10 or 0786.20
W42	08-09	Rear Brake Pad	w/ 68mm Piston	1027.10
W42	08-09	Rear Brake Pad	w/ Bosch 66mm Piston Caliper	0786.10 or 0786.20
W42	04-07	Front Brake Pad	10,000 gvw	1268.10
W42	04-07	Front Brake Pad	12300 and over gvw	1027.10
W42	04-07	Rear Brake Pad	12300 and over gvw	1027.10
W52	04-07	Front Brake Pad	Brembo, w/ 4 whl ABS	1268.10
W52	04-07	Rear Brake Pad	Brembo, w/ 4 whl ABS	1268.10
W62	08	Front Brake Pad		0769.10
W62	08	Rear Brake Pad		0769.10
W62	07	Front Brake Pad	w/ Bosch 66mm Piston Caliper	0786.10 or 0786.20
W62	07	Rear Brake Pad	w/ Bosch 66mm Piston Caliper	0786.10 or 0786.20
W62	07	Front Brake Pad	w/ 68mm Piston	1027.10
W62	07	Rear Brake Pad	w/ 68mm Piston	1027.10
W62	04-07	Front Brake Pad	Brembo, w/ 4 whl ABS, 52mm Piston	1268.10
W62	04-07	Rear Brake Pad	Brembo, w/ 4 whl ABS, 52mm Piston	1268.10



Pad Part Numbering System

WWW.XX

FMSI /
Pad
Shape

Compound

Status Key

P = Current Production Part. SO = Special Order. Limited stock may exist.
 DS = Deplete Stock. Limited stock may exist.
 Prices subject to change without notice.

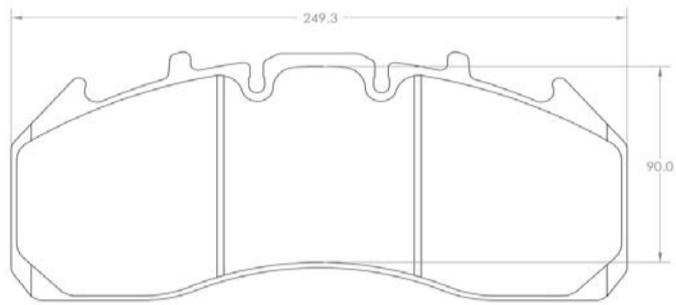
AIR DISC PAD APPLICATIONS				
FMSI #	Year	Front / Rear	Qualifier	PFC Part #
FREIGHTLINER				
MotorHome Chassis	2010-2005	Front/Rear	Bendix ADB22X	1369.10
XC, XCL, XCR Motorhome Chassis	2010-2005	Front/Rear	Bendix ADB22X	1369.10
XCP Motorhome chassis	2010-2005	Front/Rear	Bendix ADB22X	1369.10
KENWORTH				
T Series - 660, 800, 2000	2010-2005	Front/Rear	Bendix ADB22X	1369.10
W Series - 900	2010-2005	Front/Rear	Bendix ADB22X	1369.10
MACK				
Freedom - 17" Wheel	2002	Front		9186.10
MCI Motorcoach				
MCI Motorcoach		Front, Tag, Drive	Meritor EX225	1311.10
MCI Motorcoach		Front, Tag, Drive	Meritor D Lisa	9183.10
MCI Motorcoach		Front, Tag, Drive	Elsa 2	1310.10
Pinnacle	2010-2005	Front/Rear	Bendix ADB22X	1369.10
NABI				
Transit Bus	2010-2003		Meritor EX225	1311.10
OSHKOSH				
Fire & Emergency Rescue	2008-2003	Front/Rear	Knorr-Bremse SB7000 series	9178.10
Fire & Emergency Rescue	2008-2003	Front/Rear	Meritor EX225	1311.10
PETERBILT				
384, 386, 387, 388, 389	2010-2005	Front/Rear	Bendix ADB22X	1369.10
Class 8 OE	2011	Front/Rear	Bendix ADB22X	1369.10
PIERCE				
Fire & Emergency Rescue	2008-2003	Front/Rear	Knorr-Bremse SB7000 series	9178.10
Fire & Emergency Rescue	2008-2003	Front/Rear	Meritor EX225	1311.10
PREVOST Motorcoach				
PREVOST Motorcoach	2008-2003	Front, Tag, Drive	Meritor EX225	1311.10
PREVOST Motorcoach		Front, Tag, Drive	Knorr-Bremse SN7000 series	8801.10
H3 - 45 Transit	2006-1997	Front, Tag, Drive	Knorr-Bremse SB7000 series, 84mm wide	9178.10
SETRA (DAIMLER)				
SETRA (DAIMLER)			Knorr-Bremse SB7000 series, 84mm wide	9178.10
SETRA (DAIMLER)			Knorr-Bremse SN7000 series, 82mm wide	8801.10
SPARTAN				
Fire & Emergency Rescue	2010-2005	Front	Bendix ADB22X	1369.10
Fire & Emergency Rescue	2008-2003	Front	Meritor EX225	1311.10
STERLING				
Acterra	2010-2005	Front	Bendix ADB22X	1369.10
THOMAS				
School Bus	2010-2009	Front	Bendix ADB22X	1369.10
VAN HOOL				
A300, AG330, C Series, T Series, TD925		Front, Tag, Drive	Elsa 1 Caliper	9182.10
TD925		Front, Tag, Drive	Elsa 2 Caliper	9190.10
VOLVO				
	2010-2005		Bendix ADB22X	1369.10

Status Key

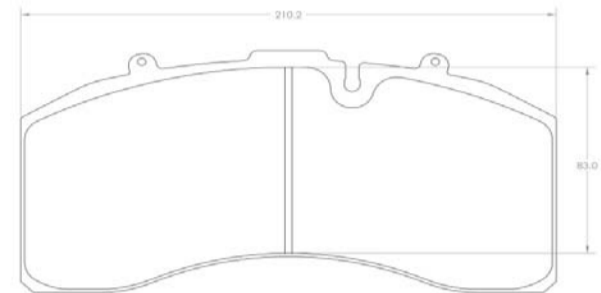
P = Current Production Part. SO = Special Order. Limited stock may exist.
 DS = Deplete Stock. Limited stock may exist.
 Prices subject to change without notice.

AIR DISC PAD LINE DRAWINGS

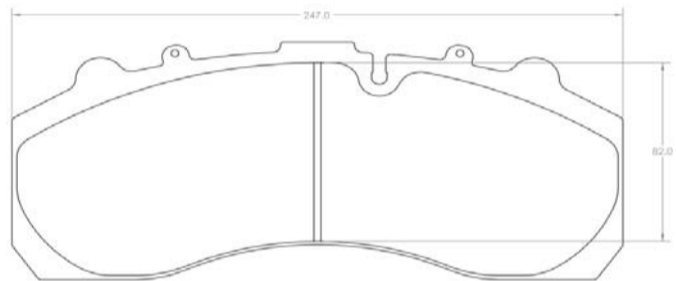
--	--	--	--	--



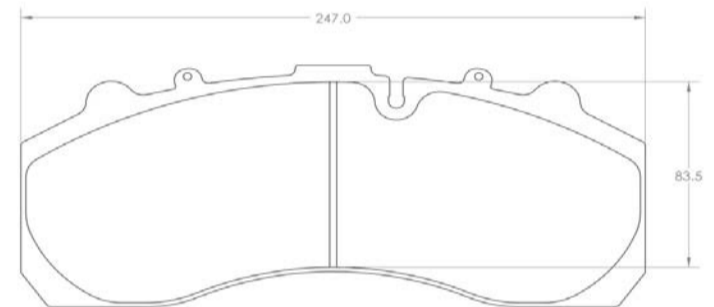
1311.10



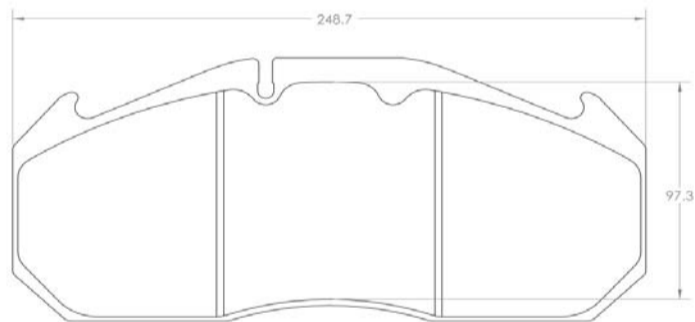
1369.10



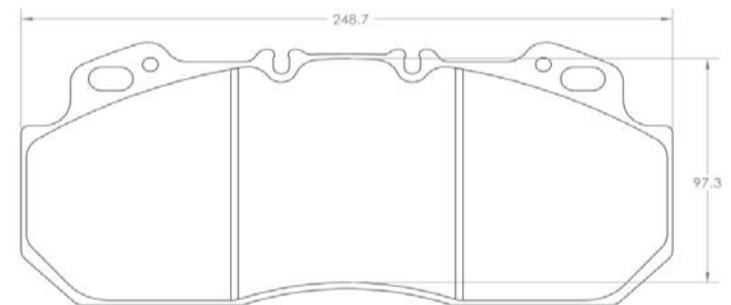
8801.10



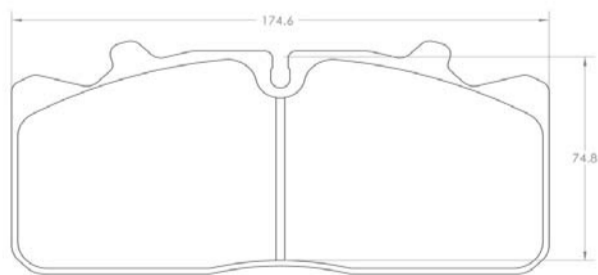
9178.10



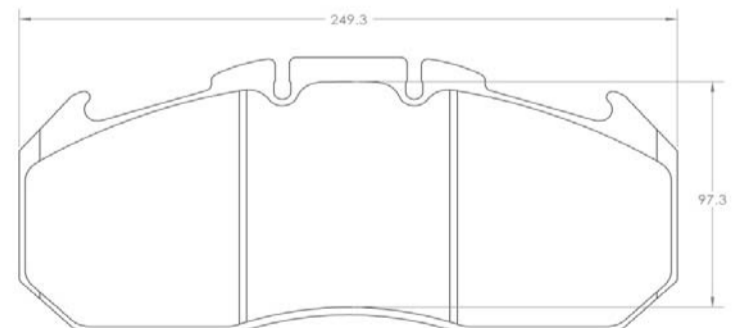
9182.10



9183.10



9186.10

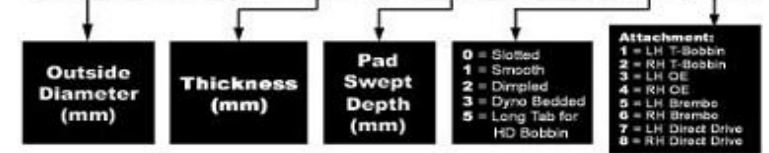


9190.10



Disc Part Numbering System

WWW.XX.YYYY.ZZ₁Z₂



Status Key

P = Current Production Part.
 SO = Special Order. Limited stock may exist.
 DS = Deplete Stock.
 Limited stock may exist.
 Prices subject to change without notice.

Attachment Key

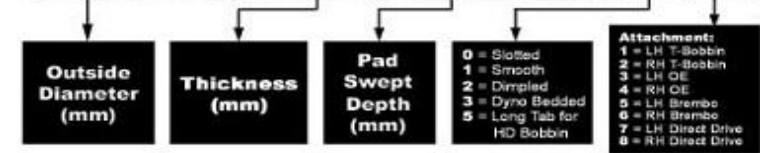
DD = PFC Direct Drive™ AP = AP Racing
 T = PFC T-Bobbin V2= Version 2 D.D.
 PEG = Peg drive BR = Brembo
 V2S2= Version 2 D.D. Double Slotted

ON-HIGHWAY DISC MAKE/MODEL GUIDE					
Make / Model	Year	Front / Rear	Description	Qualifier	PFC Part #
AMERICAN LaFRANCE Fire/Rescue Vehicles					
Medic Master Type III	00-01	Front	V2 Rotor Assy.	Two Piece Hub and Rotor assembly	329.201.75
Medic Master Type III	00-01	Front	V2 Repl. Rotor	Replacement rotor and hardware for above	329.30.0043.75
Medic Master Type III	00-01	Front	V2 Rotor Assy.	Two Piece Hub and Rotor assembly	329.201.75
Medic Master Type III	00-01	Front	V2 Repl. Rotor	Replacement rotor and hardware for above	329.30.0043.75
BLUE BIRD					
Type D All American	01-11	Front	Rotor Assembly	10 Hole, Height 3.45"	390.086.20*
Type D All American	01-11	Rear	Rotor Assembly	10 Hole, Height 7.60"	390.193.20**
Type D All American	01-11	Front	Rotor Assembly	10 Hole, Height 3.45"	390.086.20*
Type D All American	01-11	Rear	Rotor Assembly	10 Hole, Height 7.60"	390.193.20**
BMW					
M3					
E36 M3	95-00	LF	Rotor Assembly	Left Side Two Piece Hat and Rotor Assembly	311.052.87
E36 M3	95-00	RF	Rotor Assembly	Right Side Two Piece Hat and Rotor Assembly	311.052.88
E36 M3	95-00	LF	PFC Repl. Rotor	Replacement rotor and hardware for above (Left)	311.28.0054.87
E36 M3	95-00	RF	PFC Repl. Rotor	Replacement rotor and hardware for above (Right)	311.28.0054.88
E46 M3	01-05	LF	Rotor Assembly	Left Side Two Piece Hat and Rotor Assembly	322.052.87
E46 M3	01-05	RF	Rotor Assembly	Right Side Two Piece Hat and Rotor Assembly	322.052.88
E46 M3	01-05	LF	PFC Repl. Rotor	Replacement rotor and hardware for above (Left)	322.28.0053.87
E46 M3	01-05	RF	PFC Repl. Rotor	Replacement rotor and hardware for above (Right)	322.28.0053.88
E46 M3	01-05	LR	Rotor Assembly	Left Side Two Piece Hat and Rotor Assembly	328.061.87
E46 M3	01-05	RR	Rotor Assembly	Right Side Two Piece Hat and Rotor Assembly	328.061.88
E46 M3	01-05	LR	PFC Repl. Rotor	Replacement rotor and hardware for above (Left)	328.20.0050.87
E46 M3	01-05	RR	PFC Repl. Rotor	Replacement rotor and hardware for above (Right)	328.20.0050.88
M COUPE / ROADSTER					
M Coupe	99-00	LF	Rotor Assembly	Left Side Two Piece Hat and Rotor assembly*	311.052.87
M Coupe	99-00	RF	Rotor Assembly	Right Side Two Piece Hat and Rotor assembly*	311.052.88
M Coupe	99-00	LF	PFC Repl. Rotor	Replacement rotor and hardware for above (Left)	311.28.0054.87
M Coupe	99-00	RF	PFC Repl. Rotor	Replacement rotor and hardware for above (Right)	311.28.0054.88
BUICK					
LeSabre	00-04	Front	Rotor Assembly	1-pc Front Rotor - 16" Wheels	303.052.01
Lucerne	06-08	Front	Rotor Assembly	1-pc Front Rotor	301.052.01
Park Avenue	97-05	Front	Rotor Assembly	1-pc Front Rotor	303.052.01
Riviera	97-99	Front	Rotor Assembly	1-pc Front Rotor	303.052.01
CADILLAC					
DeVille	97-05	Front	Rotor Assembly	1-pc Front Rotor - inc. DHS/ DTS w/ Std Brakes	303.052.01
DeVille Concours	97	Front	Rotor Assembly	1-pc Front Rotor	303.052.01
El Dorado	97-02	Front	Rotor Assembly	1-pc Front Rotor	303.052.01
Seville	97-04	Front	Rotor Assembly	1-pc Front Rotor - inc SLS and STS models	303.052.01
CHEVROLET - CAR					
Camaro	98-02	Front	Rotor Assembly	1-pc Front Rotor	303.052.01
Corvette C6 Z06	05-08	LF	Rotor Assembly	Left Side Two Piece Hat and Rotor Assembly (PFC Caliper)	362.044.87
Corvette C6 Z06	05-08	RF	Rotor Assembly	Right Side Two Piece Hat / Rotor Assembly (PFC Caliper)	362.044.88
Corvette C6 Z06	05-08	LF	PFC Repl. Rotor	Replacement rotor and hardware for above (Left)	362.32.0051.87
Corvette C6 Z06	05-08	RF	PFC Repl. Rotor	Replacement rotor and hardware for above (Right)	362.32.0051.88
Corvette C6 Z06	05-08	LR	Rotor Assembly	Left Side Two Piece Hat / Rotor Assembly (PFC Caliper)	371.044.87
Corvette C6 Z06	05-08	RR	Rotor Assembly	Right Side Two Piece Hat / Rotor Assembly (PFC Caliper)	371.044.88
Corvette C6 Z06	05-08	LR	PFC Repl. Rotor	Replacement rotor and hardware for above (Left)	371.30.0047.87
Corvette C6 Z06	05-08	RR	PFC Repl. Rotor	Replacement rotor and hardware for above (Right)	371.30.0047.88
Corvette C6	05-08	LF	Rotor Assembly	Left Side Two Piece Hat and Rotor Assembly	323.045.87
Corvette C6	05-08	RF	Rotor Assembly	Right Side Two Piece Hat and Rotor Assembly	323.045.88
Corvette C6	05-08	LF	PFC Repl. Rotor	Replacement rotor and hardware for above (Left)	323.32.0050.87
Corvette C6	05-08	RF	PFC Repl. Rotor	Replacement rotor and hardware for above (Right)	323.32.0050.88
Corvette C5	97-06	LF	Rotor Assembly	Left Side Two Piece Hat and Rotor Assembly	323.045.87
Corvette C5	97-06	RF	Rotor Assembly	Right Side Two Piece Hat and Rotor Assembly	323.045.88
Corvette C5	97-06	LF	PFC Repl. Rotor	Replacement rotor and hardware for above (Left)	323.32.0050.87
Corvette C5	97-06	RF	PFC Repl. Rotor	Replacement rotor and hardware for above (Right)	323.32.0050.88
Impala	06-12	Front	Rotor Assembly	inc Police 1-pc Front Rotor	301.052.01
Impala	06-10	Rear	Rotor Assembly	inc Police 1-pc Rear Rotor	278.050.01
Impala	00-05	Front	Rotor Assembly	1-pc Front Rotor	303.052.01



Disc Part Numbering System

WWW.XX.YYYY.ZZ₁Z₂



Status Key

P = Current Production Part.
 SO = Special Order. Limited stock may exist.
 DS = Deplete Stock.
 Limited stock may exist.
 Prices subject to change without notice.

Attachment Key

DD = PFC Direct Drive™ AP = AP Racing
 T = PFC T-Bobbin V2= Version 2 D.D.
 PEG = Peg drive BR = Brembo
 V2S2= Version 2 D.D. Double Slotted

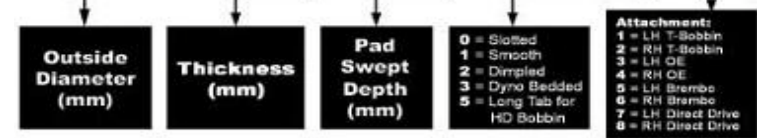
ON-HIGHWAY DISC MAKE/MODEL GUIDE

Make / Model	Year	Front / Rear	Description	Qualifier	PFC Part #
Impala	00-05	Rear	Rotor Assembly	1-pc Rear Rotor	278.050.01
Monte Carlo	00-06	Front	Rotor Assembly	1-pc Front Rotor	303.052.01
Monte Carlo	00-06	Rear	Rotor Assembly	1-pc Rear Rotor	278.050.01
CHEVROLET - MED TRUCK					
C4500	03-10	Front	Rotor Assembly	10 Hole, Height 3.45"	390.086.20
C5500 Kodiak	03-10	Front	Rotor Assembly	10 Hole, Height 3.45"	390.086.20
C5500 Kodiak	03-10	Rear	Rotor Assembly	10 Hole, Height 3.45"	390.086.20
C6500 / C7500 Kodiak	03-10	Front	Rotor Assembly	10 Hole, Height 3.45"	390.086.20
C6500 / C7500 Kodiak	03-10	Rear	Rotor Assembly	exc. 21,000lb axle	390.086.20
C6500 / C7500 Kodiak	03-10	Rear	Rotor Assembly	w/ 21,000lb axle	390.193.20
T5500/6500/7500/8500	03-10	Front	Rotor Assembly	10 Hole, Height 3.45"	390.086.20
CHRYSLER					
300C	05-08	Front	Rotor Assembly	1-pc Front Rotor	342.055.01
300C	05-08	Rear	Rotor Assembly	1-pc Rear Rotor	348.067.01
DODGE - CAR					
Charger Police, Performance & HD	06-12	Front	Rotor Assembly	1-pc Front Rotor	342.055.01
Charger Police, Performance & HD	06-12	Rear	Rotor Assembly	1-pc Rear Rotor	348.067.01
Magnum	05-08	Front	Rotor Assembly	1-pc Front Rotor	342.055.01
Magnum	05-08	Rear	Rotor Assembly	1-pc Rear Rotor	348.067.01
FORD - CAR					
Crown Victoria	03-11	Front	Rotor Assembly	1-pc Front Rotor	305.045.01
Crown Victoria	03-11	Rear	Rotor Assembly	1-pc Rear Rotor	287.056.01
Crown Victoria	98-02	Front	Rotor Assembly	1-pc Front Rotor	315.066.01
Crown Victoria	96-02	Rear	Rotor Assembly	1-pc Rear Rotor	284.050.01
Crown Victoria	95-97	Rear	Rotor Assembly	1-pc Rear Rotor	291.066.01
Mustang Cobra	95-04	LF	Rotor Assembly	Left Side Two Piece Hat and Rotor Assembly	330.043.87
Mustang Cobra	95-04	RF	Rotor Assembly	Right Side Two Piece Hat and Rotor Assembly	330.043.88
Mustang Cobra	95-04	LF	PFC Repl. Rotor	Replacement rotor and hardware for above (Left)	330.28.0041.87
Mustang Cobra	95-04	RF	PFC Repl. Rotor	Replacement rotor and hardware for above (Right)	330.28.0041.88
FORD - SUV					
Excursion 4WD & 2WD	99-04	LF	V2 Rotor Assy.	Left Side Two Piece Hat and Rotor Assembly***	331.099.75
Excursion 4WD & 2WD	99-04	RF	V2 Rotor Assy.	Right Side Two Piece Hat and Rotor Assembly***	331.099.76
Excursion 4WD & 2WD	99-04	LF	V2 Repl. Rotor	Replacement rotor and hardware for above (Left)	331.38.0044.75
Excursion 4WD & 2WD	99-04	RF	V2 Repl. Rotor	Replacement rotor and hardware for above (Right)	331.38.0044.76
Expedition 4WD	99-02	LF	Rotor Assembly	Left Side Two Piece Hat and Rotor Assembly	303.047.87
Expedition 4WD	99-02	RF	Rotor Assembly	Right Side Two Piece Hat and Rotor Assembly	303.047.88
Expedition 4WD	99-02	LF	PFC Repl. Rotor	Replacement rotor and hardware for above (Left)	303.047.0044.87
Expedition 4WD	99-02	RF	PFC Repl. Rotor	Replacement rotor and hardware for above (Right)	303.047.0044.88
FORD - TRUCK					
F250 / 200 inc Super Duty	99-04	LF	V2 Rotor Assy.	Left Side Two Piece Hat and Rotor Assembly	331.099.75
F250 / 200 inc Super Duty	99-04	RF	V2 Rotor Assy.	Right Side Two Piece Hat and Rotor Assembly	331.099.76
F250 / 200 inc Super Duty	99-04	LF	PFC Repl. Rotor	Replacement rotor and hardware for above (Left)	331.38.0044.75
F250 / 200 inc Super Duty	99-04	RF	PFC Repl. Rotor	Replacement rotor and hardware for above (Right)	331.38.0044.76
F250 / 200 inc Super Duty	76-94	Front	Rotor Assembly	1-pc Front Rotor - 2WD w/DRW only	318.094.01
F350 / 300 inc Super Duty	99-04	LF	V2 Rotor Assy.	Left Side Two Piece Hat & Rotor Assy 4WD SRW DRW w/10mm hub depth	331.095.75
F350 / 300 inc Super Duty	99-04	RF	V2 Rotor Assy.	DRW w/10mm hub depth	331.095.76
F350 / 300 inc Super Duty	99-04	LF	PFC Repl. Rotor	Replacement rotor and hardware for above (Left)	331.38.0044.75
F350 / 300 inc Super Duty	99-04	RF	PFC Repl. Rotor	Replacement rotor and hardware for above (Right)	331.38.0044.76
FORD - VAN					
E350 4X2 SRW	95-07	Front	V2 Rotor Assy.	Two Piece Hub and Rotor assembly*	329.143.75
E350 4X2 SRW	95-07	Front	V2 Repl. Rotor	Replacement rotor and hardware for above	329.30.0043.75
E350 4X2 DRW	99-01	Front	V2 Rotor Assy.	Two Piece Hub and Rotor assembly*	329.201.75
E350 4X2 DRW	99-01	Front	V2 Repl. Rotor	Replacement rotor and hardware for above	329.30.0043.75
E350 DRW ONLY	95-07	Front	V2 Rotor Assy.	Two Piece Hub and Rotor assembly*	329.201.75
E350 DRW ONLY	95-07	Front	V2 Repl. Rotor	Replacement rotor and hardware for above	329.30.0043.75
E350 DRW ONLY	94	Front	Rotor Assembly	1-pc Front Rotor w/ Rear wheel ABS	318.094.01
E350 DRW ONLY	76-93	Front	Rotor Assembly	1-pc Front Rotor	318.094.01
E450 Super Duty	98-07	Front	V2 Rotor Assy.	Two Piece Hub and Rotor assembly*	329.201.75
E450 Super Duty	98-07	Front	V2 Repl. Rotor	Replacement rotor and hardware for above	329.30.0043.75
*Rotor includes ABS ring / fits non ABS models					
FORD - MED DUTY TRUCK					



Disc Part Numbering System

WWW.XX.YYYY.ZZ₁Z₂



Status Key

P = Current Production Part.
 SO = Special Order. Limited stock may exist.
 DS = Deplete Stock.
 Limited stock may exist.
 Prices subject to change without notice.

Attachment Key

DD = PFC Direct Drive™
 T = PFC T-Bobbin
 PEG = Peg drive
 V2S2= Version 2 D.D. Double Slotted
 AP = AP Racing
 V2= Version 2 D.D.
 BR = Brembo

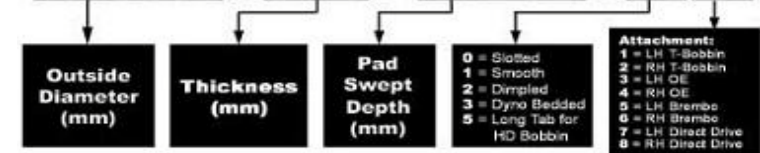
ON-HIGHWAY DISC MAKE/MODEL GUIDE

Make / Model	Year	Front / Rear	Description	Qualifier	PFC Part #
F650	04-08	Front	Rotor Assembly	10 Hole, Height 3.21", Hat Shaped	381.082.20
F650	04-08	Front	Rotor Assembly	5 Hole, Hat Shaped	381.089.20
F650	04-08	Front	Rotor Assembly	10 Hole, Height 4.45", Hat Shaped	381.113.20
F650	04-08	Rear	Rotor Assembly	10 Hole, Height 3.21", Hat Shaped	381.082.20
F650	04-08	Rear	Rotor Assembly	5 Hole, Hat Shaped	381.089.20
F650	04-08	Rear	Rotor Assembly	10 Hole, Height 4.45", Hat Shaped	381.113.20
F750	04-08	Front	Rotor Assembly	10 Hole, Height 3.21", Hat Shaped	381.082.20
F750	04-08	Front	Rotor Assembly	5 Hole, Hat Shaped	381.089.20
F750	04-08	Front	Rotor Assembly	10 Hole, Height 4.45", Hat Shaped	381.113.20
F750	04-08	Rear	Rotor Assembly	10 Hole, Height 3.21", Hat Shaped	381.082.20
F750	04-08	Rear	Rotor Assembly	5 Hole, Hat Shaped	381.089.20
F750	04-08	Rear	Rotor Assembly	10 Hole, Height 4.45", Hat Shaped	381.113.20
FREIGHTLINER					
Rotor Cross reference			Rotor Assembly	Fits ITE Rotor number 3531661C2 5 Hole	381.089.20
Rotor Cross reference			Rotor Assembly	Fits Meritor Rotor number 23-123572-004 6 Hole	381.089.30
Rotor Cross reference			Rotor Assembly	Fits ITE Rotor number 3531662C2	381.082.20
Rotor Cross reference			Rotor Assembly	Fits ITE Rotor number 3531663C2	381.113.20
Rotor Cross reference			Rotor Assembly	U-Shaped fits Gunite # D6178AM	381.181.20
GMC - MED DUTY TRUCK					
C4500 Topkick	03-10	Front	Rotor Assembly	10 Hole, Height 3.45"	390.086.20
C5500 Topkick	03-10	Front	Rotor Assembly	10 Hole, Height 3.45"	390.086.20
C5500 Topkick	03-10	Rear	Rotor Assembly	10 Hole, Height 3.45"	390.086.20
C6500 / C7500 Topkick	03-10	Front	Rotor Assembly	10 Hole, Height 3.45"	390.086.20
C6500 / C7500 Topkick	03-10	Rear	Rotor Assembly	exc. 21,000lb axle	390.086.20
C6500 / C7500 Topkick	03-10	Rear	Rotor Assembly	w/ 21,000lb axle	390.193.20
T5500/6500/7500/8500	03-10	Front	Rotor Assembly	10 Hole, Height 3.45"	390.086.20
On medium duty check caliper/axles for correct combination of parts					
HINO					
238	02-06	Front	Rotor Assembly	10 Hole, Height 3.45"	390.086.20
238	02-06	Rear	Rotor Assembly	10 Hole, Height 3.45"	390.086.20
258LP	02-06	Front	Rotor Assembly	10 Hole, Height 3.45"	390.086.20
258LP	02-06	Rear	Rotor Assembly	10 Hole, Height 3.45"	390.086.20
268	02-06	Front	Rotor Assembly	10 Hole, Height 3.45"	390.086.20
268	02-06	Rear	Rotor Assembly	10 Hole, Height 3.45"	390.086.20
INTERNATIONAL - NAVISTAR					
3000 Series Truck & Bus	98-09	Front	Rotor Assembly	10 Hole, Height 3.21", Hat Shaped	381.082.20
3000 Series Truck & Bus	98-09	Front	Rotor Assembly	5 Hole, Hat Shaped	381.089.20
3000 Series Truck & Bus	98-09	Front	Rotor Assembly	10 Hole, Height 4.45", Hat Shaped	381.113.20
3000 Series Truck & Bus	98-08	Front	Rotor Assembly	6 Hole, Hat Shaped	381.089.30
3000 Series Truck & Bus	98-09	Rear	Rotor Assembly	5 Hole, Hat Shaped	381.089.20
3000 Series Truck & Bus	98-09	Rear	Rotor Assembly	10 Hole, Height 4.45", Hat Shaped	381.113.20
3000 Series Truck & Bus	98-08	Rear	Rotor Assembly	6 Hole, Hat Shaped	381.089.30
4000 Series Truck & Bus	98-09	Front	Rotor Assembly	10 Hole, Height 3.21", Hat Shaped	381.082.20
4000 Series Truck & Bus	98-09	Front	Rotor Assembly	5 Hole, Hat Shaped	381.089.20
4000 Series Truck & Bus	98-08	Front	Rotor Assembly	6 Hole, Hat Shaped	381.089.30
4000 Series Truck & Bus	98-09	Front	Rotor Assembly	10 Hole, Height 4.45", Hat Shaped	381.113.20
4000 Series Truck & Bus	98-09	Rear	Rotor Assembly	10 Hole, Height 3.21", Hat Shaped	381.082.20
4000 Series Truck & Bus	98-09	Rear	Rotor Assembly	5 Hole, Hat Shaped	381.089.20
4000 Series Truck & Bus	98-08	Rear	Rotor Assembly	6 Hole, Hat Shaped	381.089.30
4000 Series Truck & Bus	98-09	Rear	Rotor Assembly	10 Hole, Height 4.45", Hat Shaped	381.113.20
7000 Series	03-09	Front	Rotor Assembly	6 Hole, Hat Shaped	381.089.30
7000 Series	03-09	Rear	Rotor Assembly	6 Hole, Hat Shaped	381.089.30
7000 Series	02-09	Front	Rotor Assembly	10 Hole, Height 4.45", Hat Shaped	381.113.20
7000 Series	02-09	Front	Rotor Assembly	10 Hole, Height 3.21", Hat Shaped	381.082.20
7000 Series	02-09	Front	Rotor Assembly	5 Hole, Hat Shaped	381.089.20
7000 Series	02-09	Rear	Rotor Assembly	10 Hole, Height 4.45", Hat Shaped	381.113.20
7000 Series	02-09	Rear	Rotor Assembly	10 Hole, Height 3.21", Hat Shaped	381.082.20
7000 Series	02-09	Rear	Rotor Assembly	5 Hole, Hat Shaped	381.089.20
ITE rotor cross-reference			Rotor Assembly	Fits ITE Rotor number 3531661C2	381.089.20
ITE rotor cross-reference			Rotor Assembly	Fits ITE Rotor number 3531662C2	381.082.20
ITE rotor cross-reference			Rotor Assembly	Fits ITE Rotor number 3531663C2	381.113.20
*To determine proper part: 0786.10=66mm caliper / 0786.11=73mm caliper					
ISUZU - TRUCK					
C6, C7	05-08	Front	Rotor Assembly	10 Hole, Height 3.45"	390.086.20



Disc Part Numbering System

WWW.XX.YYYY.ZZ₁Z₂



Status Key

P = Current Production Part.
SO = Special Order. Limited stock may exist.
DS = Deplete Stock.
Limited stock may exist.
Prices subject to change without notice.

Attachment Key

DD = PFC Direct Drive™ AP = AP Racing
T = PFC T-Bobbin V2= Version 2 D.D.
PEG = Peg drive BR = Brembo
V2S2= Version 2 D.D. Double Slotted

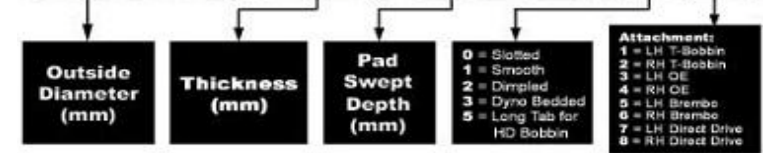
ON-HIGHWAY DISC MAKE/MODEL GUIDE

Make / Model	Year	Front / Rear	Description	Qualifier	PFC Part #
FTR	03-09	Front	Rotor Assembly	10 Hole, Height 3.45"	390.086.20
FTR	03-09	Rear	Rotor Assembly	15,000 & 19,000lb Axle, 10 Hole, Height 3.45"	390.086.20
FTR	03-09	Rear	Rotor Assembly	21,000lb Axle, 10 Hole, Height 7.60"	390.193.20
FVR, FXR	03-09	Front	Rotor Assembly	10 Hole, Height 3.45"	390.086.20
FVR, FXR	03-09	Rear	Rotor Assembly	15,000 & 19,000lb Axle, 10 Hole, Height 3.45"	390.086.20
FVR, FXR	03-09	Rear	Rotor Assembly	21,000lb Axle, 10 Hole, Height 7.60"	390.193.20
LINCOLN					
TownCar	03-11	Front	Rotor Assembly	1-pc Front Rotor	305.045.01
TownCar	98-02	Front	Rotor Assembly	1-pc Front Rotor	315.066.01
TownCar	98-02	Rear	Rotor Assembly	1-pc Rear Rotor	284.050.01
TownCar	95-97	Front	Rotor Assembly	1-pc Front Rotor For models w/ 1-piston caliper	291.066.01
MERCURY					
Grand Marquis	03-11	Front	Rotor Assembly	1-pc Front Rotor	305.045.01
Grand Marquis	03-11	Rear	Rotor Assembly	1-pc Rear Rotor	287.056.01
Grand Marquis	98-02	Front	Rotor Assembly	1-pc Front Rotor	315.066.01
Grand Marquis	96-02	Rear	Rotor Assembly	1-pc Rear Rotor	284.050.01
Grand Marquis	95-97	Front	Rotor Assembly	1-pc Front Rotor	291.066.01
Marauder	03-04	Front	Rotor Assembly	1-pc Front Rotor	305.045.01
Marauder	03-04	Rear	Rotor Assembly	1-pc Rear Rotor	287.056.01
MITSUBISHI					
Lancer	97-07	LF	Rotor Assembly	Left Side Two Piece Hat and Rotor Assembly	319.044.87
Lancer	97-07	RF	Rotor Assembly	Right Side Two Piece Hat and Rotor Assembly	319.044.88
Lancer	97-07	LF	PFC Repl. Rotor	Replacement rotor and hardware for above (Left)	319.32.0060.87
Lancer	97-07	RF	PFC Repl. Rotor	Replacement rotor and hardware for above (Right)	319.32.0060.88
NISSAN - CAR					
350Z	03-06	LF	Rotor Assembly	Left Side Two Piece Hat and Rotor Assembly	324.049.87
350Z	03-06	RF	Rotor Assembly	Right Side Two Piece Hat and Rotor Assembly	324.049.88
350Z	03-06	LF	PFC Repl. Rotor	Replacement rotor and hardware for above (Left)	324.30.0053.87
350Z	03-06	RF	PFC Repl. Rotor	Replacement rotor and hardware for above (Right)	324.30.0053.88
OLDSMOBILE					
Aurora	97-03	Front	Rotor Assembly	1-pc Front Rotor	303.052.01
Intrigue	97-98	Front	Rotor Assembly	1-pc Front Rotor W/ HD BRAKES	303.052.01
PONTIAC					
Bonneville	00-05	Front	Rotor Assembly	1-pc Front Rotor w/ 17" whl	303.052.01
Firebird	98-02	Front	Rotor Assembly	1-pc Front Rotor	303.052.01
PORSCHE					
911 (997)	05-06	LF	Rotor Assembly	Left Side Two Piece Hat and Rotor Assembly	318.067.87
911 (997)	05-06	RF	Rotor Assembly	Right Side Two Piece Hat and Rotor Assembly	318.067.88
911 (997)	05-06	LF	PFC Repl. Rotor	Replacement rotor and hardware for above (Left)	318.28.0061.87
911 (997)	05-06	RF	PFC Repl. Rotor	Replacement rotor and hardware for above (Right)	318.28.0061.88
911 (997)	06	LF	Rotor Assembly	Left Side Two Piece Hat and Rotor Assembly	318.067.87
911 (997)	06	RF	Rotor Assembly	Right Side Two Piece Hat and Rotor Assembly	318.067.88
911 (997)	06	LF	PFC Repl. Rotor	Replacement rotor and hardware for above (Left)	318.28.0061.87
911 (997)	06	RF	PFC Repl. Rotor	Replacement rotor and hardware for above (Right)	318.28.0061.88
911 (996)	01-05	LF	Rotor Assembly	Left Side Two Piece Floating Hat and Rotor assy*	350.068.87
911 (996)	01-05	RF	Rotor Assembly	Right Side Two Piece Floating Hat and Rotor assy*	350.068.88
911 (996)	01-05	LF	PFC Repl. Rotor	Replacement rotor and hardware for above (Left)	350.34.0060.87
911 (996)	01-05	RF	PFC Repl. Rotor	Replacement rotor and hardware for above (Right)	350.34.0060.88
911 (996)	99-05	LF	Rotor Assembly	Left Side Two Piece Hat and Rotor Assembly	318.067.87
911 (996)	99-05	RF	Rotor Assembly	Right Side Two Piece Hat and Rotor Assembly	318.067.88
911 (996)	99-05	LF	PFC Repl. Rotor	Replacement rotor and hardware for above (Left)	318.28.0061.87
911 (996)	99-05	RF	PFC Repl. Rotor	Replacement rotor and hardware for above (Right)	318.28.0061.88
Boxster S	99-04	LF	Rotor Assembly	Left Side Two Piece Hat and Rotor Assembly	318.067.87
Boxster S	99-04	RF	Rotor Assembly	Right Side Two Piece Hat and Rotor Assembly	318.067.88
Boxster S	99-04	LF	PFC Repl. Rotor	Replacement rotor and hardware for above (Left)	318.28.0061.87
Boxster S	99-04	RF	PFC Repl. Rotor	Replacement rotor and hardware for above (Right)	318.28.0061.88
SUBARU					
Imprezza	01-08	LF	Rotor Assembly	Left Side Two Piece Hat and Rotor Assembly	326.053.87
Imprezza	01-08	RF	Rotor Assembly	Right Side Two Piece Hat and Rotor Assembly	326.053.88
Imprezza	01-08	LF	PFC Repl. Rotor	Replacement rotor and hardware for above (Left)	326.30.0061.87
Imprezza	01-08	RF	PFC Repl. Rotor	Replacement rotor and hardware for above (Right)	326.30.0061.88
THOMAS SCHOOL BUS					
Minotour E350 DRW	95-01	Front	V2 Rotor Assembly	Two Piece Hub and Rotor assembly	329.201.75
Minotour E350 DRW	95-01	Front	V2 Repl. Rotor	Replacement rotor and hardware for above	329.30.0043.75



Disc Part Numbering System

WWW.XX.YYYY.Z₁Z₂



Status Key

P = Current Production Part.
 SO = Special Order. Limited stock may exist.
 DS = Deplete Stock.
 Limited stock may exist.
 Prices subject to change without notice.

Attachment Key

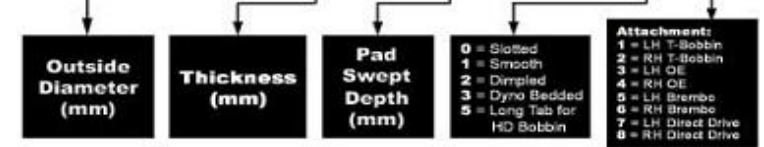
DD = PFC Direct Drive™ AP = AP Racing
 T = PFC T-Bobbin V2= Version 2 D.D.
 PEG = Peg drive BR = Brembo
 V2S2= Version 2 D.D. Double Slotted

ON-HIGHWAY DISC MAKE/MODEL GUIDE					
Make / Model	Year	Front / Rear	Description	Qualifier	PFC Part #
Minotour E350 DRW	76-94	Front	Rotor Assembly	1-pc Front Rotor	318.094.01
WINNEBAGO					
Minnie E350 DRW	95-01	Front	V2 Rotor Assembly	Two Piece Hub and Rotor assembly	329.201.75
Minnie E350 DRW	95-01	Front	V2 Repl. Rotor	Replacement Rotor and Hardware for 329.201.75 V2 Version	329.30.0043.75
Minnie E350 DRW	92-94	Front	Rotor Assembly	1-pc Front Rotor	318.094.01
Minnie Winnie E350 DRW	95-01	Front	V2 Rotor Assembly	Two Piece Hub and Rotor assembly	329.201.75
Minnie Winnie E350 DRW	95-01	Front	V2 Repl. Rotor	Replacement Rotor and Hardware for 329.201.75 V2 Version	329.30.0043.75
Minnie Winnie E350 DRW	92-94	Front	Rotor Assembly	1-pc Front Rotor	318.094.01



Disc Part Numbering System

WWW.XX.YYYY.Z₁Z₂



Status Key

P = Current Production Part. SO = Special Order. Limited stock may exist.
 DS = Deplete Stock. Limited stock may exist.
 Prices subject to change without notice.

NEW MEDIUM DUTY RETROFIT DISC

PFC Part #	OD	Thick.	Min. Thick.	Height	B.C.D.	# of Holes	Hole Dia.	Pilot Dia.
------------	----	--------	-------------	--------	--------	------------	-----------	------------

SIZING INFORMATION

381.081.20	15.00	1.437	1.31	3.20	7.25	10	0.579	6.002
381.082.20	15.00	1.437	1.31	3.21	7.25	10	0.594	6.002
381.089.20	15.00	1.437	1.31	3.50	6.75	5	0.781	5.403
381.089.30	15.00	1.437	1.31	3.50	6.75	6	0.781	5.403
381.113.20	15.00	1.437	1.31	4.44	7.25	10	0.594	6.002
381.181.20*	15.00	1.437	1.31	7.11	11.25	10	1.059	9.505
381.181.30*	15.00	1.437	1.31	7.11	11.25	10	0.816	9.505
390.086.20	15.354	1.437	1.42	3.40	7.25	10	0.594	6.002
390.193.20	15.354	1.535	1.417	7.60	11.25	10	0.943	9.113

CROSS REFERENCE GUIDE

PFC	381.081.20	381.082.20	381.089.20	381.089.30	381.113.20	381.181.20*	381.181.30*	390.086.20	390.193.20*
NAPA	86614	86990	86436						
Navistar-PFC	PFH38108120	PFH38108220	PFH38108920	PFH38108930	PFH38111320	PFH38181120	PFH38118130	PFH39008620	PFH39019320
Navistar	2007173C1	2594595C1 3531662C2 1660669C1	2594594C1	2505097C1	2594596C1 3531661C2 2505097C1				
AC Delco		18A808							
Bendix	145086		141476		141494			145688	
Bluebird		0061728			0021898			0044646	0044647 10022170
Dayton			123573		122897 123552				
Euclid		E-11470 E-14550	E-6114 E-14573	E-14572	E-4247 E-14552			E-12524 E-14557	
Ford		4C4Z125JA			4C4Z2C026AA				
Freightliner	D6176				D6175, D6183 D6175M				
GM									
Gunite	D6176 D6176M D6221	D6153 D6220			D6175 D6183 D6175M	D6178AM D6222	D6178M	D6194M	
Hino								23-123557	
Isuzu								8889362040	
Meritor		23-123550-004 23-123664-02 RC4414550	23-123648-002 23-123730-008	23-123572 RC414572	004 23-123649-002 RC414552			2312354-004 23-123557 RC4414557	23-123574-004
Webb	54773P-65		54769P-65	54770P-65	54771P-65			54775P-65	54365P-65

*U-shaped rotor



Disc Part Numbering System

WWW.XX.YYYY.Z₁Z₂



Pad Part Numbering System

WWW.XX



Status Key

P = Current Production Part.
 SO = Special Order. Limited stock may exist.
 DS = Deplete Stock.
 Limited stock may exist.
 Prices subject to change without notice.

POLICE APPLICATIONS				
Make / Model	Year	Front / Rear	Qualifier	PFC Part #
MOTORCYCLE				
Harley Davidson	2011-2005	Front Brake Pad	*Note: Requires 2 packs (1 pack per caliper)	7627.10
Harley Davidson	2011-2005	Rear Brake Pad		7627.10
Harley Davidson	2004-2000	Front Brake Pad	*Note: Requires 2 packs (1 pack per caliper)	7580.10
Harley Davidson	2004-2000	Rear Brake Pad		7580.10
CHEVROLET				
Camaro	2012-2010	Front Brake Pad	6.2 Liter engine	1001.11
Camaro	2012-2010	Rear Brake Pad	6.2 Liter engine	1053.10
Camaro	2005-1998	Front Brake Pad		0699.20
Camaro	2002-1998	Front Rotor Assy.		303.052.01
Caprice	2011	Front Brake Pad		1404.10
Impala	2011	Front Brake Pad		1159.20
Impala	2011	Front Rotor Assy.		301.052.01
Impala	2010-2006	Front Brake Pad		1159.20
Impala	2010-2006	Rear Brake Pad		0814.20
Impala	2010-2006	Front Rotor Assy.		301.052.01
Impala	2010-2006	Rear Rotor Assy.		278.050.01
Impala	2005	Front Brake Pad		1076.20
Impala	2005	Rear Brake Pad		0814.20
Impala	2005	Front Rotor Assy.		303.052.01
Impala	2005	Rear Rotor Assy.		278.050.01
Impala	2004-2000	Front Brake Pad		0699.20
Impala	2004-2000	Rear Brake Pad		0814.20
Impala	2004-2000	Front Rotor Assy.		303.052.01
Impala	2004-2000	Rear Rotor Assy.		278.050.01
Lumina	2001-1995	Front Brake Pad		0376.20
Lumina	2001-1995	Rear Brake Pad		0508.20
Tahoe	2011-2007	Front Brake Pad		1092.20
Tahoe	2011-2007	Rear Brake Pad		1194.20
Tahoe	2006-2001	Front Brake Pad		0785.20
Tahoe	2006-2001	Rear Brake Pad		0974.20
DODGE				
Charger Police Package	2005-2012	Front Brake Pad	V8 (EXC SRT8)	1058.20
Charger Police Package	2005-2012	Rear Brake Pad	V8 (EXC SRT8)	1057.20
Charger Police Package	2005-2012	Front Rotor Assy.	V8 (EXC SRT8)	342.055.01
Charger Police Package	2005-2012	Rear Rotor Assy.	V8 (EXC SRT8)	348.067.01
Charger Police Package	2005-2012	Front Brake Pad	Light Duty (EXC SRT8)	1056.20
Charger Police Package	2005-2012	Rear Brake Pad	Light Duty (EXC SRT8)	1057.20
Intrepid	2004-1995	Front Brake Pad		0591.20
Intrepid	2004-1995	Rear Brake Pad		0782.20
FORD				
Crown Victoria	2011-2005	Front Brake Pad		0931.20
Crown Victoria	2011-2005	Rear Brake Pad	Not including retention clip	1040.20**
Crown Victoria	2011-2005	Rear Brake Pad	Including retention clip	0932.20*
Crown Victoria	2011-2005	Front Rotor Assy.		305.045.01
Crown Victoria	2011-2005	Rear Rotor Assy.		287.056.01
Crown Victoria	2004-2003	Front Brake Pad		0931.20
Crown Victoria	2004-2003	Rear Brake Pad		0932.20*
Crown Victoria	2004-2003	Front Rotor Assy.		305.045.01
Crown Victoria	2004-2003	Rear Rotor Assy.		287.056.01
Crown Victoria	2002-1998	Front Brake Pad		0748.20
Crown Victoria	2002-1998	Rear Brake Pad		0690.20**
Crown Victoria	2002-1998	Front Rotor Assy.		315.066.01
Crown Victoria	2002-1998	Rear Rotor Assy.		284.050.01
Crown Victoria	1997	Front Brake Pad		0659.20
Crown Victoria	1997	Rear Brake Pad		0690.20**
Crown Victoria	1997	Front Rotor Assy.		291.066.01
Crown Victoria	1997	Rear Rotor Assy.		284.050.01
Crown Victoria	1996	Front Brake Pad		0659.20
Crown Victoria	1996	Rear Brake Pad		0674.20**
Crown Victoria	1996	Front Rotor Assy.		291.066.01
Crown Victoria	1996	Rear Rotor Assy.		284.050.01
Crown Victoria	1995	Front Brake Pad		0659.20
Crown Victoria	1995	Rear Brake Pad		0544.20



Disc Part Numbering System

WWW.XX.YYYY.Z₁Z₂



Pad Part Numbering System

WWW.XX



Status Key

P = Current Production Part.
 SO = Special Order. Limited stock may exist.
 DS = Deplete Stock.
 Limited stock may exist.
 Prices subject to change without notice.

POLICE APPLICATIONS

Make / Model	Year	Front / Rear	Qualifier	PFC Part #
Crown Victoria	1995	Front Rotor Assy.		291.066.01



Pad Part Numbering System

WWW.XX

FMSI /
Pad
Shape

Compound

Status Key

P = Current Production Part.
 SO = Special Order. Limited stock may exist.
 DS = Deplete Stock.
 Limited stock may exist.
 Prices subject to change without notice.

OFF-HIGHWAY APPLICATIONS		
Make / Model	Front	Rear
AVELING BARFORD		
WXL113, WXL118 Graders	8440.18	
WXL113, WXL118 Graders	8440.46	
WXL113, WXL118 Graders	8440.80	
700 Super Grader	8440.18	
700 Super Grader	8440.46	
700 Super Grader	8440.80	
TG 24 Tandem Grader	8440.18	
TG 24 Tandem Grader	8440.46	
TG 24 Tandem Grader	8440.80	
B F GOODRICH		
All Models parts used depend upon vehicle configuration	8330.46	8330.46
All Models parts used depend upon vehicle configuration	8440.46	8440.46
All Models parts used depend upon vehicle configuration	8440.80	8440.80
All Models parts used depend upon vehicle configuration	8483.46	8483.46
All Models parts used depend upon vehicle configuration	8517.46 or 8518.46	8517.46 or 8518.46
All Models parts used depend upon vehicle configuration		
All Models parts used depend upon vehicle configuration	8517.80 or 8518.80	8517.80 or 8518.80
All Models parts used depend upon vehicle configuration	8559.80	8559.80
CASE		
W14 Loader	8330.46	8330.46
W14B, W18B Loader	8078.46	8078.46
W14B, W18B Loader	8078.80	8078.80
W20, W20B Loader	8440.18	8440.18
W20, W20B Loader	8440.46	8440.46
W20, W20B Loader	8440.80	8440.80
W20C Loader	8078.46	8078.46
W20C Loader	8078.80	8078.80
W24C Loader	8440.18	8440.18
W24C Loader	8440.46	8440.46
W24C Loader	8440.80	8440.80
W30 Loader	8078.46	8078.46
W30 Loader	8078.80	8078.80
W36 Loader	8517.46 or 8518.46	8517.46 or 8518.46
W36 Loader	8517.80 or 8518.80	8517.80 or 8518.80
621, 721 Wheel loader	8078.46	8078.46
621, 721 Wheel loader	8078.80	8078.80
H 350 B Payhauler	8483.46	
CATERPILLAR		
43 Loader parts used depend upon vehicle configuration	8330.80	
43 Loader parts used depend upon vehicle configuration	8517.46 or 8518.46	8517.46 or 8518.46
43 Loader parts used depend upon vehicle configuration	8517.80 or 8518.80	8517.80 or 8518.80
505, 511, 521, 531 Loader	8440.46	8440.46
505, 511, 521, 531 Loader	8440.80	8440.80
910, 920 Loader	8440.46	8440.46
910, 920 Loader	8440.80	8440.80
910, 920 Loader (Klein model)	8330.46	8330.46
910, 920 Loader (Klein model)	8330.80	8330.80
916 Wheeled Loader	8330.46	8330.46
916 Wheeled Loader	8330.80	8330.80
926 Wheeled Loader	8525.26 or 8525.46	8525.26 or 8525.46
930, 950 Loader	8440.46	8440.46
930, 950 Loader	8440.80	8440.80
936 Loader parts used depend upon vehicle configuration	8330.46	8330.46
936 Loader parts used depend upon vehicle configuration	8330.80	8330.80
936 Loader parts used depend upon vehicle configuration	8440.46	8440.46
936 Loader parts used depend upon vehicle configuration	8440.80	8440.80
950, 950B to 950E Loader	8517.46 or 8518.46	8517.46 or 8518.46
950, 950B to 950E Loader	8517.80 or 8518.80	8517.80 or 8518.80
250 Articulated Dump Truck	8440.46	8440.46
250 Articulated Dump Truck	8440.80	8440.80
D300 Articulated Dump Truck	8517.46 or 8518.46	8517.46 or 8518.46
D300 Articulated Dump Truck	8517.80 or 8518.80	8517.80 or 8518.80
769C, 771C Rigid Dump Truck	8517.46 or 8518.46	8517.46 or 8518.46



Pad Part Numbering System

WWW.XX

FMSI /
Pad
Shape

Compound

Status Key

P = Current Production Part.
 SO = Special Order. Limited stock may exist.
 DS = Deplete Stock.
 Limited stock may exist.
 Prices subject to change without notice.

OFF-HIGHWAY APPLICATIONS		
Make / Model	Front	Rear
769C, 771C Rigid Dump Truck	8517.80 or 8518.80	8517.80 or 8518.80
11891	8517.46 or 8518.46	8517.46 or 8518.46
11891	8517.80 or 8518.80	8517.80 or 8518.80
IT12	8330.80	8330.80
IT18	8517.46 or 8518.46	8517.46 or 8518.46
IT18	8517.80 or 8518.80	8517.80 or 8518.80
IT28	8525.26 or 8525.46	8525.26 or 8525.46
IT28	8517.46 or 8518.46	8517.46 or 8518.46
IT28	8517.80 or 8518.80	8517.80 or 8518.80
CLARK		
GT-DT25 Airport Tug	8025.20	8025.20
CLARK-MICHIGAN		
45B, 50B, 75B, 125B, 175B	8440.46	8440.46
45B, 50B, 75B, 125B, 175B	8440.80	8440.80
Other models	8517.46 or 8518.46	8517.46 or 8518.46
Other models	8517.80 or 8518.80	8517.80 or 8518.80
DEUTZ FAHR		
DX85, 86, 90, 92, 110, 120	8731.46	
Tractors	8731.80	
DJB ARTIX		
Type 22, M25, 653 Dump truck	8440.46	
Type 22, M25, 653 Dump truck	8440.80	
EIMCO		
Mining Loader Shovel	8440.46	8440.46
Mining Loader Shovel	8440.80	8440.80
EUCLID		
R85 Rigid Dump Truck	8326.80	
FAUN		
FK20, FK1000 Wheel Loader	8440.46	8440.46
FK20, FK1000 Wheel Loader	8440.80	8440.80
FENDT		
311, 611 Tractor	8731.46	8731.46
311, 611 Tractor	8731.80	8731.80
FIAT ALLIS		
FG854 Grader	8440.46	8440.46
FG854 Grader	8440.80	8440.80
FR9, FR10, FR11, FR12, FR15	8440.46	8440.46
FR20 Wheel Loaders	8440.80	8440.80
FR30 Wheel Loaders	8078.46	8078.46
FRISCH		
FK20 Dump Truck	8440.46	8440.46
FK20 Dump Truck	8440.80	8440.80
F1100C, 1300 AP 5/D Axle shovel	8731.46	8731.46
F1100C, 1300 AP 5/D Axle shovel	8731.80	8731.80
FURUKAWA		
FL230, FL330 Excavator	8440.46	8440.46
FL230, FL330 Excavator	8440.80	8440.80
FL330 Excavator	8330.46	8330.46
GROOT		
All	8440.46	8440.46
All	8440.80	8440.80
HARVEY MANUFACTURING		
MR20 airline cargo mover	8025.20	8025.20
Trans-Act TA20 airline cargo vehicle	8025.20	8025.20
I.H.C. (INTERNATIONAL)		
530 Loading Shovel	8440.46	8440.46
530 Loading Shovel	8440.80	8440.80
530 Loading Shovel	8330.46	8330.46
540 Loading Shovel	8517.46	8517.46
540 Loading Shovel	8517.80	8518.80
JARVIS CLARK		
All Loaders and Dump Vehicles	8440.46	8440.46
All Loaders and Dump Vehicles	8440.80	8440.80



Pad Part Numbering System

WWW.XX

FMSI /
Pad
Shape

Compound

Status Key

P = Current Production Part.
 SO = Special Order. Limited stock may exist.
 DS = Deplete Stock.
 Limited stock may exist.
 Prices subject to change without notice.

OFF-HIGHWAY APPLICATIONS		
Make / Model	Front	Rear
All Loaders and Dump Vehicles	8330.46	8330.46
All Loaders and Dump Vehicles	8517.46 or 8518.46	8517.46 or 8518.46
All Loaders and Dump Vehicles	8517.80 or 8518.80	8517.80 or 8518.80
J.C.B. (JC BAMFORD)		
423, JCB 2D and 3CD Loader	8440.46	8440.46
423, JCB 2D and 3CD Loader	8440.80	8440.80
413, 418, 427, 428 Wheel Loader	8440.46	8440.46
413, 418, 427, 428 Wheel Loader	8440.80	8440.80
KAWASAKI		
KSS 70 Scraper	8440.46	8440.46
KSS 70 Scraper	8440.80	8440.80
KSS 652 Loader	8330.46	8330.46
702 Loader	8440.46	8440.46
702 Loader	8440.80	8440.80
802 Loader	8440.46	8440.46
802 Loader	8440.80	8440.80
KOEHRING - BOMAG		
All models	8330.46	8330.46
KOMATSU		
HA250-3, HA270-3 Articulated Dump	8517.46 or 8518.46	8517.46 or 8518.46
HA250-3, HA270-3 Articulated Dump	8517.80 or 8518.80	8517.80 or 8518.80
85 Ton Rigid Dump Truck	8517.46 or 8518.46	8517.46 or 8518.46
85 Ton Rigid Dump Truck	8517.80 or 8518.80	8517.80 or 8518.80
HD325-6, 465-5, 785-3 Rigid Dump	8517.46 or 8518.46	8517.46 or 8518.46
HD325-6, 465-5, 785-3 Rigid Dump	8517.80 or 8518.80	8517.80 or 8518.80
530, 540, 550	8440.46	8440.46
530, 540, 551	8440.80	8440.80
560B, 570	8517.46 or 8518.46	8517.46 or 8518.46
560B, 571	8517.80 or 8518.80	8517.80 or 8518.80
LECTRA HAUL		
Unit Rig	8326.80	8326.80
MERCEDES (UNIMOG)		
403,406 / MB Trac 65 / 70 / 800	8731.46	8731.46
403,406 / MB Trac 65 / 70 / 801	8731.80	8732.80
MICHIGAN - VOLVO		
L50,L70,L90,L120,L160,L190	8078.46	8078.46
L270	8161.46 or 8161.80	8161.46 or 8161.80
L480	5326.46 or 5326.80	5326.46 or 5326.80
45C, 55C, 75C, 125C	8440.46	8440.46
175C	8078.46	8078.46
275C	8161.46 or 8161.80	8161.46 or 8161.80
280,280C, 475, 475C Loaders	8326.80	8326.80
483B, 487C, 483C Loaders	8326.80	8326.80
NORTHWEST WOOLARD		
6003D all Airport Tugs	8025.20	8025.20
ROCKWELL CALIPERS		
SCL-2	8078.46	
SCL-35	8161.46 or 8161.80	8161.46 or 8161.80
SCL-46	8161.46 or 8161.80	8161.46 or 8161.80
SCL-53	8161.46 or 8161.80	8161.46 or 8161.80
SCL-68	8078.46	
TEREX		
2366, 2566 Articulated Dump Truck	8440.46	8440.46
2366, 2566 Articulated Dump Truck	8440.80	8440.80
All models Dumper	8440.46	8440.46
All models Dumper	8440.80	8440.80
72-11 Loader	8440.46	8440.46
72-11 Loader	8440.80	8440.80
80C, 85, 90 Loader	8559.80	8559.80
7231B, 7251B Haul Truck	8440.46	8440.46
7231B, 7251B Haul Truck	8440.80	8440.80
TROJAN		
Lift Trucks	8330.46	8330.46
Lift Trucks	8440.46	8440.46



Pad Part Numbering System

WWW.XX

FMSI /
Pad
Shape

Compound

Status Key

P = Current Production Part.
 SO = Special Order. Limited stock may exist.
 DS = Deplete Stock.
 Limited stock may exist.
 Prices subject to change without notice.

OFF-HIGHWAY APPLICATIONS		
Make / Model	Front	Rear
Lift Trucks	8440.80	8440.80
1500Z,1900Z,2000Z Loaders	8731.46 or 8731.80	8731.46 or 8731.80
2500,3000, 4000E Loaders	8330.46	8330.46
UNIT RIG		
Dump Trucks	8326.80	8326.80
VOLVO - B.M.		
4300 Type 1 Articulated Dump Truck	8440.46	8440.46
4300 Type 1 Articulated Dump Truck	8440.80	8440.80
All models Excavator	8517.80 or 8518.80	8517.80 or 8518.80
LM218, LM846 Tractor	8440.46	8440.46
LM218, LM846 Tractor	8440.80	8440.80
GM612, 614, SM872 Tractor	8440.46	8440.46
GM612, 614, SM872 Tractor	8440.80	8440.80
WABCO		
170 Dump Truck	8326.80	
All models exc. 170 Dump Trucks	8559.80	
All Wheel Loaders	8517.46 or 8517.80	8517.46 or 8517.80
All Wheel Loaders	8518.46 or 8518.80	8518.46 or 8518.80
All Wheel Loaders	8440.46	8440.46
All Wheel Loaders	8440.80	8440.80
All Wheel Loaders	8330.46	8330.46
WAGNER MINING		
WAGNER MINING	8440.18 8440.46 8517.46 8518.46	
ZETTLEMEIER		
ZETTLEMEIER	8731.46 or 8731.80	
Note: Off Highway pads are packaged and sold individually due to differing quantities used per vehicle		



Pad Part Numbering System

WWW.XX

FMSI /
Pad
Shape

Compound

Status Key

P = Current Production Part. SO = Special Order. Limited stock may exist.
 DS = Deplete Stock. Limited stock may exist. Prices subject to change without notice.
 Special order parts not in stock require a 6 week lead time and are subject to surcharges.
 10 - 20 sets \$83.56 / set; 21-50 sets \$41.78 / set; 51-99 sets \$16.72 / set; 100+ no surcharge.
 SO surcharge prices subject to applicable discounts.

AFTERMARKET BRAKE PADS PRICE SHEET				
PFC Part #	FMSI #	Pad / Material	Application	Status
0008.10	7028A-D8 727-D8	Z-Rated®	CHEVROLET: Camaro Z28 w/ Disc rear (68-69), Corvette (66-82) Stingray (65-82) FRONT/REAR	P
0008.20	7028A-D8 727-D8	Carbon Metallic®	CHEVROLET: Camaro Z28 w/ Disc rear (68-69), Corvette (66-82) Stingray (65-82) FRONT/REAR	DS
0031.10	736-D31 7255-D31 7736-D861	Z-Rated®	ALFA-ROMEO: Alfetta (72-77), Sprint Veloce (77-80) AUDI: Super 90 (69-72) MERCEDES: 230 (77-78), 280 (73-81), 300 Series (66-82), 300CD/CE (81-85), 300SE/SEL (90), 350 Series (73-91), 380 (82), 400SEL (86-91), 420SEL (89-90), 450 Series (73-80), 500SEC (84-85), 560 Series (86-91) OPEL: Manta (73-74), 1900 (71-72) PORSCHE: 914 (70-75) SAAB: 99 (68-74) VW: Karmann Ghia Fastback (72) VOLVO: C,S,V Series (98-99), 240 (87-93), 740 (85-90), 760 (85-90), 780 (88-90), 850 (93-96) FRONT/REAR	SO
0045.10	734-D45 7190-D287	Z-Rated®	ALFA: Berlina (68-75), GT Series (68-75), GTV6 (82), Spider Series (68-82) MERCEDES: 300 (66-72) PORSCHE: 911 911S Turbo (75-77), 911 Turbo (78-79) VOLKSWAGEN: Transporter (71-79), Vanagon (80-85) FRONT	SO
0045.20	734-D45 7190-D287	Carbon Metallic®	ALFA: Berlina (68-75), GT Series (68-75), GTV6 (82), Spider Series (68-82) MERCEDES: 300 (66-72) PORSCHE: 911 911S Turbo (75-77), 911 Turbo (78-79) VOLKSWAGEN: Transporter (71-79), Vanagon (80-85) FRONT	DS
0050.20	7013A-D50	Carbon Metallic®	AMC: Ambassador (74), Gremlin (75-76), Hornet (75-76), Matador (74-78), Models w/ Bendix caliper. FORD: Crown Victoria, LTD, Galaxie (73-78), LTD II (77-79), Thunderbird (72-79), Torino, Elite (73-76), Bronco F/S (76-85), F100 Pickup (73-83), F150 Pickup (84-86), F250 Pickup (73-85), E100 Econoline Van (75-85), INTERNATIONAL: Scout (74-80), 150 Pickup (75-76), D200 Pickup exc. HD brake (74-75), JEEP: CJ w/11" Rear Drum Brake (77-78), LINCOLN: Continental (73-79), MERCURY: Comet (72), Cougar (74-79), Grand Marquis (73-78), Montego (72-76) FRONT	P
0052.10	728A-D52 728A-D122 7214A-D313	Z-Rated®	BUICK: Century (72-77), LeSabre (77-85), Estate Wagon (72-90), Riviera (72-78), Roadmaster (91-96) CHEVROLET: Caprice (77-96), Camaro (71-81), Chevrolet ALL (72-84), Chevelle (73-77), Monte Carlo (70-77), Nova (72-79), Astro Van (91-00), Astro M Van (85-90), El Camino (72-77), K-Blazer (84-91), G-1500/2500 (94), C/G/K-10 (72-86), P-10 (72-82), R/V-10 (87-91), C/G/K-20 (72-86), C/G-30 (72-78) GM: Safari Van (91-00), Safari M Van (85-90), Sprint (72-77), C-1500 (72-86), G-1500 (72-95), K-1500 (72-86), P-1500 (72-82), R/V-1500 (87-91), C-2500 (72-86), G-2500 (72-95), K-2500 (72-86), C/G-3500 (72-78), MOTOR HOME (73-78), OLDS: Toronado (72-78), 88 (77-85) FRONT	SO
0052.20	728A-D52 728A-D122 7214A-D313	Carbon Metallic®	BUICK: Century (72-77), LeSabre (77-85), Estate Wagon (72-90), Riviera (72-78), Roadmaster (91-96) CHEVROLET: Caprice (77-96), Camaro (71-81), Chevrolet ALL (72-84), Chevelle (73-77), Monte Carlo (70-77), Nova (72-79), Astro Van (91-00), Astro M Van (85-90), El Camino (72-77), K-Blazer (84-91), G-1500/2500 (94), C/G/K-10 (72-86), P-10 (72-82), R/V-10 (87-91), C/G/K-20 (72-86), C/G-30 (72-78) GM: Safari Van (91-00), Safari M Van (85-90), Sprint (72-77), C-1500 (72-86), G-1500 (72-95), K-1500 (72-86), P-1500 (72-82), R/V-1500 (87-91), C-2500 (72-86), G-2500 (72-95), K-2500 (72-86), C/G-3500 (72-78), MOTOR HOME (73-78), OLDS: Toronado (72-78), 88 (77-85) FRONT	P
0082.20	7095-D168	Carbon Metallic®	MACK: FAW536D, 537D Front, SS-34D, -38D -381D, ST-34D, SV-38D, SW-38D Rear & Bogie Axle (81), DM-400 Front (81), DM-600 Front (81), F-700 Front (81), R-400 Front (81-82), R-600 Front (81), RD-400, RD-600 Front (78-82), U-600 Front (81)	SO
0100.10	7036-D100 7036-D145	Z-Rated®	MERCEDES: 220 (68-73), 240D (80-91) 450 (72-79) 15mm thickness FRONT	P
0100.20	7036-D100 7036-D145	Carbon Metallic®	MERCEDES: 220 (68-73), 240D (80-91) 450 (72-79) 15mm thickness FRONT	DS
0109.10	7043-D109	Z-Rated®	ALFA: GTV6 (84-86), MILANO (87-89), SPIDER (82-90) BMW: 320i (77-79) MITSUBISHI: Lancer EVO VIII (03-07) REAR OPEL: Manta 1900 Wagon (75) SUBARU: Imprezza WRX STI REAR (03-07) FRONT	P
0120.10	7054-D120	Z-Rated®	FORD: E250 (76-88) F350 (76-91) FRONT CAN ALSO USE 0450.20	SO
0120.20	7054-D120	Carbon Metallic®	FORD: E250 (76-88) F350 (76-91) FRONT CAN ALSO USE 0450.20	P
0145.10	7036-D145 7111-D145	Z-Rated®	MERCEDES: 220 (68-73), 240D (80-91) 450 (72-79) 15mm thickness FRONT	P
0145.20	7036-D145 7111-D145	Carbon Metallic®	MERCEDES: 220 (68-73), 240D (80-91) 450 (72-79) 15mm thickness FRONT	DS
0149.10	7081-D149 7081A-D149 7081A-D543	Z-Rated®	CHEVY: C3500 w/disc rear (91-94) Fr & Rr, G30/35 Van w/ drum rear (85-96), P30/P30 MHC W/13X3.5" REAR DRUM (87-95), P30/P30 MHC w/ rear disc (87-96) Fr & Rr, P30/P30 MHC w/ rear drum (97-00), R30 w/13x3.5" rear drum (87-91), V30 (87-91) GMC: C35 w/rear disc (91-94) Fr & Rr, G35 w/ 13x3.5" rear drum (85-96), P35 w/ 13x3.5" rear drum (79-95), P35 w/ rear disc (79-96) Fr & Rr, P35 w/drum rear (96-99), R35 w/ 13x3.5" rear drum (87-91), V35 (87-91) FRONT/REAR	SO



Pad Part Numbering System

WWW.XX



Status Key

P = Current Production Part. SO = Special Order. Limited stock may exist.
 DS = Deplete Stock. Limited stock may exist. Prices subject to change without notice.
 Special order parts not in stock require a 6 week lead time and are subject to surcharges.
 10 - 20 sets \$83.56 / set; 21-50 sets \$41.78 / set; 51-99 sets \$16.72 / set; 100+ no surcharge.
 SO surcharge prices subject to applicable discounts.

AFTERMARKET BRAKE PADS PRICE SHEET				
PFC Part #	FMSI #	Pad / Material	Application	Status
0149.20	7081-D149 7081A-D149 7081A-D543	Carbon Metallic®	CHEVY: C3500 w/disc rear (91-94) Fr & Rr, G30/35 Van w/ drum rear (85-96), P30/P30 MHC W/13X3.5" REAR DRUM (87-95), P30/P30 MHC w/ rear disc (87-96) Fr & Rr, P30/P30 MHC w/ rear drum (97-00), R30 w/13x3.5" rear drum (87-91), V30 (87-91) GMC: C35 w/rear disc (91-94) Fr & Rr, G35 w/ 13x3.5" rear drum (85-96), P35 w/ 13x3.5" rear drum (79-95), P35 w/ rear disc (79-96) Fr & Rr, P35 w/drum rear (96-99), R35 w/ 13x3.5" rear drum (87-91), V35 (87-91) FRONT/REAR	P
0153.20	7084-D153 7084A-D392	Carbon Metallic®	CHEVY: C20 w/JB 7 & 8600lb gvwt (79-86), K20 w/JB 7 & 8600lb gvwt (79-86), P20 w/JB 7 & 8600lb gvwt (79-86), G30 Van w/ SRW (85-96), G35 Van w/ SRW (79-84) GMC: C20 w/JB 7 & 8600lb gvwt (79-86), K20 w/JB 7 & 8600lb gvwt (79-86), P20 w/JB 7 & 8600lb gvwt (79-86), G30 Van w/ SRW (85-96), G35 Van w/ SRW (79-84) FRONT	P
0154.10	7070A-D154 7070A-D202 7070A-D138 7480A-D202	Z-Rated®	BUICK: Century (78-81), Regal (78-87), Riviera (79-85) CADILLAC: Eldorado (79-85), Seville (80-85) CHEVY: Camaro exc HD brakes (82-91), Camaro w/drum rear (92), Malibu (78-83), Monte Carlo (78-88), El Camino (78-87), BLazer w/drum rear (94-97, 99), S-10 Pickup (82-99), T-10 Pickup (82-97) GMC: Caballero (78-87), Jimmy w/drum rear (94-97, 99), Sonoma (94-96), Sonoma w/drum rear (98-01), S & T-15 (83-93) OLDS: Bravada (91-96), Bravada w/drum rear (97), Cutlass (78-87) PONTIAC: Bonneville (83-86), Firebird (82-88), Firebird exc HD brakes (89-92), Grand Prix (83-87), Le Mans (78-81) LLV Postal Van w/Drum rear (87-95) FRONT	SO
0154.20	7070A-D154 7070A-D202 7070A-D138 7480A-D202	Carbon Metallic®	BUICK: Century (78-81), Regal (78-87), Riviera (79-85) CADILLAC: Eldorado (79-85), Seville (80-85) CHEVY: Camaro exc HD brakes (82-91), Camaro w/drum rear (92), Malibu (78-83), Monte Carlo (78-88), El Camino (78-87), BLazer w/drum rear (94-97, 99), S-10 Pickup (82-99), T-10 Pickup (82-97) GMC: Caballero (78-87), Jimmy w/drum rear (94-97, 99), Sonoma (94-96), Sonoma w/drum rear (98-01), S & T-15 (83-93) OLDS: Bravada (91-96), Bravada w/drum rear (97), Cutlass (78-87) PONTIAC: Bonneville (83-86), Firebird (82-88), Firebird exc HD brakes (89-92), Grand Prix (83-87), Le Mans (78-81) LLV Postal Van w/Drum rear (87-95) FRONT	P
0174.10	7101-D174 7043-D109	Z-Rated®	ALFA ROMEO (84-89), BMW 320i (77-83), LOTUS Esprit S3 (81-84), OPEL (74-81) FRONT	DS
0174.20	7101-D174 7043-D109	Carbon Metallic®	ALFA ROMEO (84-89), BMW 320i (77-83), LOTUS Esprit S3 (81-84), OPEL (74-81) FRONT	DS
0184.10	7108-D184 7815-D380 7815-D717	Z-Rated®	CHEVY: 50 Series (88-90) Bendix 3.38/2.60 Caliper w/o Wear Sensors FREIGHTLINER: MT35 Chassis (Grumman Delivery Truck (90+), FL60 (92-98), FL70 (92-98), MB60 (92-98), MB70 (92-98), W700 Custom Chassis (96-98) INTERNATIONAL: 1400 Metro II (87-89), 1650 Cargostar (83-97), 1700 Series Bus (79-89), 1750 Cargostar (83-89), 1753 Series Bus (84-97), 1800 Series Bus (81-83), 1850 Series Bus (84-97), 1853 Series Bus (83-97), 1950 Series Bus (85-97), 3000 Series Bus (90-97), 4000 Series Trucks (90-97), 7000 Series (79-92) FRONT/REAR	P
0184.20	7108-D184 7815-D380 7815-D717	Carbon Metallic®	CHEVY: 50 Series (88-90) Bendix 3.38/2.60 Caliper w/o Wear Sensors FREIGHTLINER: MT35 Chassis (Grumman Delivery Truck (90+), FL60 (92-98), FL70 (92-98), MB60 (92-98), MB70 (92-98), W700 Custom Chassis (96-98) INTERNATIONAL: 1400 Metro II (87-89), 1650 Cargostar (83-97), 1700 Series Bus (79-89), 1750 Cargostar (83-89), 1753 Series Bus (84-97), 1800 Series Bus (81-83), 1850 Series Bus (84-97), 1853 Series Bus (83-97), 1950 Series Bus (85-97), 3000 Series Bus (90-97), 4000 Series Trucks (90-97), 7000 Series (79-92) FRONT/REAR	P
0184.30	7108-D184 7815-D380 7815-D717	Semi-Met	CHEVY: 50 Series (88-90) Bendix 3.38/2.60 Caliper w/o Wear Sensors FREIGHTLINER: MT35 Chassis (Grumman Delivery Truck (90+), FL60 (92-98), FL70 (92-98), MB60 (92-98), MB70 (92-98), W700 Custom Chassis (96-98) INTERNATIONAL: 1400 Metro II (87-89), 1650 Cargostar (83-97), 1700 Series Bus (79-89), 1750 Cargostar (83-89), 1753 Series Bus (84-97), 1800 Series Bus (81-83), 1850 Series Bus (84-97), 1853 Series Bus (83-97), 1950 Series Bus (85-97), 3000 Series Bus (90-97), 4000 Series Trucks (90-97), 7000 Series (79-92) FRONT/REAR	P
0199.20	7082C-D199 7082B-D200 7501B-D199	Carbon Metallic®	FORD: Crown Vic (87-89), CV WAGON (81-90), Mustang SVO (84-86), LINCOLN: Continental (82-87), MK VI (82-83), Mk VII (84-92), Town Car (90-94), Lincoln (82-89), MERCURY: Grand Marquis (81-86), Wagon (81-90) FRONT	P
0203.20	7122A-D203 7531-D651	Carbon Metallic®	AMC: Concord, Eagle, Spirit & SX4 (82-88); JEEP: Cherokee, CJ, Comanche, Wagoneer & Wrangler (84-92) AM GENERAL: Hummer exc. 12100 GVW (92-96) FRONT/REAR	P
0207.20	7127-D207	Carbon Metallic®	TOYOTA: Cressida (81-88), Pick Ups (81-95) FRONT	P
0215.10	7136-D215	Z-Rated®	BUICK: Century, Electra, LeSabre, Limited & Park Avenue (85-96); CADILLAC: Deville, Fleetwood (85-90); CHEVROLET: Celebrity & Lumina APV (83-91); OLDSMOBILE: Cutlass Ciera, Delta 88, 98 & Silhouette APV (83-91); PONTIAC: Bonneville (87-91), 6000 (83-91), Transport (90-91) FRONT	DS



Pad Part Numbering System

WWW.XX

FMSI /
Pad
Shape

Compound

Status Key

P = Current Production Part. SO = Special Order. Limited stock may exist.
 DS = Deplete Stock. Limited stock may exist. Prices subject to change without notice.
 Special order parts not in stock require a 6 week lead time and are subject to surcharges.
 10 - 20 sets \$83.56 / set; 21-50 sets \$41.78 / set; 51-99 sets \$16.72 / set; 100+ no surcharge.
 SO surcharge prices subject to applicable discounts.

AFTERMARKET BRAKE PADS PRICE SHEET				
PFC Part #	FMSI #	Pad / Material	Application	Status
0215.20	7136-D215	Carbon Metallic®	BUICK: Century, Electra, LeSabre, Limited & Park Avenue (85-96); CADILLAC: Deville, Fleetwood (85-90); CHEVROLET: Celebrity & Lumina APV (83-91); OLDSMOBILE: Cutlass Ciera, Delta 88, 98 & Silhouette APV (83-91); PONTIAC: Bonneville (87-91), 6000 (83-91), Transport (90-91) FRONT	P
0224.10	7141-D224 7807-D224	Z-Rated®	CHEVY: 50 Series (91-99), 60 Series (83-00), 70 Series (88-00) FORD: F600 (84-89) GMC: 50/60/70 series w/Dayton 2.50 Caliper (90-98) FRONT/REAR	P
0224.20	7141-D224 7807-D224	Carbon Metallic®	CHEVY: 50 Series (91-99), 60 Series (83-00), 70 Series (88-00) FORD: F600 (84-89) GMC: 50/60/70 series w/Dayton 2.50 Caliper (90-98) FRONT/REAR	P
0224.30	7141-D224 7807-D224	Semi-Met	CHEVY: 50 Series (91-99), 60 Series (83-00), 70 Series (88-00) FORD: F600 (84-89) GMC: 50/60/70 series w/Dayton 2.50 Caliper (90-98) FRONT/REAR	P
0225.10	7142-D225 7808-D225 7813-D225	Z-Rated®	CHEVY: 50 Series (91-99), 60 Series (83-00), 70 Series (88-00) FREIGHTLINER: FL60 (92-98), FL70 (92-98), MB60 (92-98), MB70 (92-98), GMC: 50/60/70 series w/Dayton 2.50 Caliper (90-98) INTERNATIONAL: S1452 (84-98), 1452SC (84-98), M1600 (88-95), 1652 Metro (88-95), 1650 Cargostar (83-97), S1624, S1652FC, S1652SC (83-97), 1700 Series Bus (79-89), C01710A B Cargostar (83-85), S1723, 1753, 1724, 1754 (83-98), 1750 Cargostar (83-89), 1753 Series Bus (84-97), 1850 Series (84-97), 1853 Series Bus (83-97). S1900 Bus (82-89), 1950 Series (85-97), 2000 Series S Models (79-86), 3000 Series (90-97), 4000 Series ((90-97), 7000 Series (79-92) ISUZU: FRR (99-01) FSR 11K axle (3/96-02), FTR 11k axle (3/96-02) FVR/FXR 11k axle (3/98-02) FRONT/REAR	P
0225.20	7142-D225 7808-D225 7813-D225	Carbon Metallic®	CHEVY: 50 Series (91-99), 60 Series (83-00), 70 Series (88-00) FREIGHTLINER: FL60 (92-98), FL70 (92-98), MB60 (92-98), MB70 (92-98), GMC: 50/60/70 series w/Dayton 2.50 Caliper (90-98) INTERNATIONAL: S1452 (84-98), 1452SC (84-98), M1600 (88-95), 1652 Metro (88-95), 1650 Cargostar (83-97), S1624, S1652FC, S1652SC (83-97), 1700 Series Bus (79-89), C01710A B Cargostar (83-85), S1723, 1753, 1724, 1754 (83-98), 1750 Cargostar (83-89), 1753 Series Bus (84-97), 1850 Series (84-97), 1853 Series Bus (83-97). S1900 Bus (82-89), 1950 Series (85-97), 2000 Series S Models (79-86), 3000 Series (90-97), 4000 Series ((90-97), 7000 Series (79-92) ISUZU: FRR (99-01) FSR 11K axle (3/96-02), FTR 11k axle (3/96-02) FVR/FXR 11k axle (3/98-02) FRONT/REAR	P
0225.30	7142-D225 7808-D225 7813-D225	Semi-Met	CHEVY: 50 Series (91-99), 60 Series (83-00), 70 Series (88-00) FREIGHTLINER: FL60 (92-98), FL70 (92-98), MB60 (92-98), MB70 (92-98), GMC: 50/60/70 series w/Dayton 2.50 Caliper (90-98) INTERNATIONAL: S1452 (84-98), 1452SC (84-98), M1600 (88-95), 1652 Metro (88-95), 1650 Cargostar (83-97), S1624, S1652FC, S1652SC (83-97), 1700 Series Bus (79-89), C01710A B Cargostar (83-85), S1723, 1753, 1724, 1754 (83-98), 1750 Cargostar (83-89), 1753 Series Bus (84-97), 1850 Series (84-97), 1853 Series Bus (83-97). S1900 Bus (82-89), 1950 Series (85-97), 2000 Series S Models (79-86), 3000 Series (90-97), 4000 Series ((90-97), 7000 Series (79-92) ISUZU: FRR (99-01) FSR 11K axle (3/96-02), FTR 11k axle (3/96-02) FVR/FXR 11k axle (3/98-02) FRONT/REAR	P
0236.20	7149-D236	Carbon Metallic®	FORD: B700 (88-89), B7000 (84-87) Dayton 2.88 Caliper FRONT/REAR	P
0242.10	7153-D242 7153-D302	Z-Rated®	CHEVY: Nova (86-88) GEO: Prism (89-92), TOYOTA: Corolla (88-92), MR2 (85-92), Tercel (86-92) FRONT	SO
0242.20	7153-D242 7153-D302	Carbon Metallic®	CHEVY: Nova (86-88) GEO: Prism (89-92), TOYOTA: Corolla (88-92), MR2 (85-92), Tercel (86-92) FRONT	P
0252.10	7045-D252	Z-Rated®	PORSCHE: 924 (79-87), 928 (78-85), 944 non Turbo (85-87) REAR	P
0253.10	7160-D253	Z-Rated®	PORSCHE: 928 (81-85) FRONT	DS
0259.20	#N/A	Carbon Metallic®	#N/A	P
0266.20	7282-D266 7171-D266 7282-D441	Carbon Metallic®	NISSAN: Maxima (85-88), Pulsar (83-86), Stanza (86-89), 200SX (87-88), 300ZX (84-89), Trucks (83-97) FRONT	P
0269.10	7179-D269 7019-D86 7019A-D123	Z-Rated®	DODGE: AD/AW (76-80), B-100 (73-80), D/W-100 (73-89), AD/AW-150 (81-92), B-1500/2500/3500 (96-98), D/W-150 (79-93), B/D-200 (73-80), W-200 w/3500 lb axle (75-80), B/D/W-250 (81-95), B/D-300 (73-80), B-350 (81-95), D/W-350 (81-93) FRONT	P
0269.20	7179-D269 7019-D86 7019A-D123	Carbon Metallic®	DODGE: AD/AW (76-80), B-100 (73-80), D/W-100 (73-89), AD/AW-150 (81-92), B-1500/2500/3500 (96-98), D/W-150 (79-93), B/D-200 (73-80), W-200 w/3500 lb axle (75-80), B/D/W-250 (81-95), B/D-300 (73-80), B-350 (81-95), D/W-350 (81-93) FRONT	P
0272.10	#N/A	Z-Rated®	#N/A	DS
0273.10	7178-D273 7355-D474 7439-D560	Z-Rated®	HONDA: Accord (84-85), Civic (88-00), Del Sol (95-97) & CRX (88-91) FRONT	DS
0273.20	7178-D273 7355-D474 7439-D560	Carbon Metallic®	HONDA: Accord (84-85), Civic (88-00), Del Sol (95-97) & CRX (88-91) FRONT	P
0274.10	#N/A	Z-Rated®	#N/A	DS
0280.20	7183-D280	Carbon Metallic®	VOLKSWAGEN: Rabbit (84-90), Golf (85-93), Jetta (85-90), Quantum (85-88), Scirocco (84-85) FRONT	P



Pad Part Numbering System

WWW.XX

FMSI /
Pad
Shape

Compound

Status Key

P = Current Production Part. SO = Special Order. Limited stock may exist.
 DS = Deplete Stock. Limited stock may exist. Prices subject to change without notice.
 Special order parts not in stock require a 6 week lead time and are subject to surcharges.
 10 - 20 sets \$83.56 / set; 21-50 sets \$41.78 / set; 51-99 sets \$16.72 / set; 100+ no surcharge.
 SO surcharge prices subject to applicable discounts.

AFTERMARKET BRAKE PADS PRICE SHEET				
PFC Part #	FMSI #	Pad / Material	Application	Status
0289.10	7192-D289 7070B-D159 7070C-D183 7114-D190	Z-Rated®	BUICK: Skylark, Skyhawk & Somerset (85-90); CADILLAC: Cimarron (82-88); CHEVROLET: Beretta, Cavalier & Corsica (82-91); OLDSMOBILE: Calais & Firenza (82-90); PONTIAC: Grand Am, Sunbird & J2000 (82-91) FRONT	SO
0289.20	7192-D289 7070B-D159 7070C-D183 7114-D190	Carbon Metallic®	BUICK: Skylark, Skyhawk & Somerset (85-90); CADILLAC: Cimarron (82-88); CHEVROLET: Beretta, Cavalier & Corsica (82-91); OLDSMOBILE: Calais & Firenza (82-90); PONTIAC: Grand Am, Sunbird & J2000 (82-91) FRONT	P
0310.10	7072B-D310 7072B-D237	Z-Rated®	FORD: Fairmont, LTD, Mustang (4 cyl.), & Thunderbird (83-88) MERCURY: Capri, Cougar, XR7, Marquis, & Zephyr (83-88) FRONT	DS
0310.20	7072B-D310 7072B-D237	Carbon Metallic®	FORD: Fairmont, LTD, Mustang (4 cyl.), & Thunderbird (83-88) MERCURY: Capri, Cougar, XR7, Marquis, & Zephyr (83-88) FRONT	P
0325.20	7223-D325 7562-D685	Carbon Metallic®	LEXUS: ES250/300 (91-00) RX300 (98-03) TOYOTA: Camry (89-01), Solara (99-01) Celica (88-95); REAR	P
0333.20	7228-D333 7433-D554	Carbon Metallic®	NISSAN: Frontier (98-04), Pathfinder (87-95), D21 4wd (86-89), D21 2wd (86-87)Pick Up DRW, 4wd (88-94)/ SUBARU: SVX (92-97) FRONT	P
0334.20	7229-D334	Carbon Metallic®	ACURA: Integra (86-89) HONDA: Accord (86-87), Accord DX & LX 2 & 3 Dr (88), Prelude w/ Fuel Inj (85-87) FRONT	P
0345.10	7238-D345	Z-Rated®	PORSCHE 911 (78-96) 944 Turbo (85-88) FRONT/REAR	P
0346.20	7082E-D346 7082A-D150	Carbon Metallic®	FORD: Crown Vic Police & Taxi (82-93), MERCURY: Grand Marquis Taxi (79-84), Police (81-93) FRONT	P
0356.20	7247-D356	Carbon Metallic®	LEXUS ES 250 (90-91), TOYOTA Celica, Camry (86-93) FRONT	P
0368.20	7259-D368	Carbon Metallic®	CHEVY: C10 w/2dr exc HD Chassis (88-91), K10 w/2dr exc HD Chassis (88-91) GMC: C10 w/2dr exc HD (88-91), K10 w/2dr exc HD Chassis (88-91) FRONT	P
0369.10	7259-D369	Z-Rated®	CADILLAC: Limo (91-93), Escalade (99-00) CHEVY: Astro Van w/4wd (89-02), K-Blazer (92-94), Tahoe w/10" & 11" rear drum (95-99), Tahoe w/gas eng. (99-00), C10 Suburban exc diesel (92-01), C10/C15 Pickup w/ 2dr & HD Chassis (88-91), C10/C15 Pickup (92-00), G10/G15 Van (96-00), G1500 Van (97-02), K10 Suburban w/gas eng. (92-00), K10/K15 Pickup w/2dr & HD Chassis inc Ext. Cab (88-91), K10/K15 Pickup (92-00), C20/C25 Pickup 7200lb gvw (88-00), G2500 Van 7300lb gvw (96-02), K20/K25 Pickup w/ 6 lug whl (88-00) DODGE: Ram 1500 (94-99), GMC: Yukon (92-01), Safari Van w/4wd (90-02), C10/C15 Suburban w/gas eng. (92-00), C15 Pickup exc 92 2dr nonHD (88-00), G15 (96-01), K10/K15 Suburban w/gas eng (92-00), K15 Pickup exc 92 2dr nonHD (88-00), G1500 Savana Van (96-02), C25 Pickup 7200lb gvw (88-00), G25 7300lb gvw (96-00), K25 Pickup 7200lb gvw (88-96), G2500 Savana Van 7300lb gvw (96-02) FRONT	SO
0369.20	7259-D369	Carbon Metallic®	CADILLAC: Limo (91-93), Escalade (99-00) CHEVY: Astro Van w/4wd (89-02), K-Blazer (92-94), Tahoe w/10" & 11" rear drum (95-99), Tahoe w/gas eng. (99-00), C10 Suburban exc diesel (92-01), C10/C15 Pickup w/ 2dr & HD Chassis (88-91), C10/C15 Pickup (92-00), G10/G15 Van (96-00), G1500 Van (97-02), K10 Suburban w/gas eng. (92-00), K10/K15 Pickup w/2dr & HD Chassis inc Ext. Cab (88-91), K10/K15 Pickup (92-00), C20/C25 Pickup 7200lb gvw (88-00), G2500 Van 7300lb gvw (96-02), K20/K25 Pickup w/ 6 lug whl (88-00) DODGE: Ram 1500 (94-99), GMC: Yukon (92-01), Safari Van w/4wd (90-02), C10/C15 Suburban w/gas eng. (92-00), C15 Pickup exc 92 2dr nonHD (88-00), G15 (96-01), K10/K15 Suburban w/gas eng (92-00), K15 Pickup exc 92 2dr nonHD (88-00), G1500 Savana Van (96-02), C25 Pickup 7200lb gvw (88-00), G25 7300lb gvw (96-00), K25 Pickup 7200lb gvw (88-96), G2500 Savana Van 7300lb gvw (96-02) FRONT	P
0370.10	7260-D370 7260-D845	Z-Rated®	CHEVY: Tahoe w/diesel eng (99), C10/K10 Suburban w/ diesel eng (92-01), C20 Suburban (92-01), C20/C25 Pickup 8600lb gvw (88-00), G2500 Van (96-02), K20 Suburban (92-00), K20/K25 Pickup w/ 8 lug whl ((88-00), C30/C35 w/SRW (88-00), G3500 Van w/SRW (96-02), G30/G35 w/SRW (96-00), K30/K35 all (88-89), K30/K35 W/SRW inc utility (90-91),K30/K35 W/SRW (92-01) GMC:C10-C15 Suburban w/diesel eng (92-00), K10/K15 Suburban w/diesel eng (98-00), C20/C25 Suburban (92-00), C25 Pickup 8600lb gvw (88-00), G25 8600lb gvw (96-00), K20/K25 Suburban (92-98), K25 Pickup 8600lb gvw (88-00), G2500 Van 8600lb gvw (96-02), C35 w/SRW (92-01), C35 all (88-89), G35 w/SRW (96-00), K35 w/SRW (92-01), K35 w/SRW not 15000lv gvw (90-91), K35 all (88-89), G3500 Van w/SRW (96-02), FRONT	SO



Pad Part Numbering System

WWW.XX

FMSI /
Pad
Shape

Compound

Status Key

P = Current Production Part. SO = Special Order. Limited stock may exist.
 DS = Deplete Stock. Limited stock may exist. Prices subject to change without notice.
 Special order parts not in stock require a 6 week lead time and are subject to surcharges.
 10 - 20 sets \$83.56 / set; 21-50 sets \$41.78 / set; 51-99 sets \$16.72 / set; 100+ no surcharge.
 SO surcharge prices subject to applicable discounts.

AFTERMARKET BRAKE PADS PRICE SHEET				
PFC Part #	FMSI #	Pad / Material	Application	Status
0370.20	7260-D370 7260-D845	Carbon Metallic®	CHEVY: Tahoe w/diesel eng (99), C10/K10 Suburban w/ diesel eng (92-01), C20 Suburban (92-01), C20/C25 Pickup 8600lb gvw (88-00), G2500 Van (96-02), K20 Suburban (92-00), K20/K25 Pickup w/ 8 lug whl ((88-00), C30/C35 w/SRW (88-00), G3500 Van w/SRW (96-02), G30/G35 w/SRW (96-00), K30/K35 all (88-89), K30/K35 W/SRW inc utility (90-91), K30/K35 W/SRW (92-01) GMC: C10-C15 Suburban w/diesel eng (92-00), K10/K15 Suburban w/diesel eng (98-00), C20/C25 Suburban (92-00), C25 Pickup 8600lb gvw (88-00), G25 8600lb gvw (96-00), K20/K25 Suburban (92-98), K25 Pickup 8600lb gvw (88-00), G2500 Van 8600lb gvw (96-02), C35 w/SRW (92-01), C35 all (88-89), G35 w/SRW (96-00), K35 w/SRW (92-01), K35 w/SRW not 15000lv gvw (90-91), K35 all (88-89), G3500 Van w/SRW (96-02), FRONT	P
0373.20	7263-D373	Carbon Metallic®	HONDA: CRX Si (90-91), Prelude DX (88-89), Civic Wagon (90) FRONT	SO
0375.10	7264-D375 788-D360	Z-Rated®	FORD: E150 (86-93), F150 (86-93) Bronco (87-93) FRONT	SO
0375.20	7264-D375 788-D360	Carbon Metallic®	FORD: E150 (86-93), F150 (86-93) Bronco (87-93) FRONT	P
0376.10	7265-D376	Z-Rated®	BUICK: Regal (88-96) CHEVY: Lumina (90-01) Monte Carlo (95-99), OLDS: Cutlass Supreme (89-97) PONTIAC: Grand Prix (88-96) FRONT	SO
0376.20	7265-D376	Carbon Metallic®	BUICK: Regal (88-96) CHEVY: Lumina (90-01) Monte Carlo (95-99), OLDS: Cutlass Supreme (89-97) PONTIAC: Grand Prix (88-96) FRONT	P
0377.10	7266-D377	Z-Rated®	BUICK: Regal (88-93) CHEVY: Lumina (90-94) OLDS: Cutlass Supreme (89-93) PONTIAC: Grand Prix (88-93) REAR	DS
0377.20	7266-D377	Carbon Metallic®	BUICK: Regal (88-93) CHEVY: Lumina (90-94) OLDS: Cutlass Supreme (89-93) PONTIAC: Grand Prix (88-93) REAR	P
0387.20	7125A-D387 7125A-D205 7125A-D249 7534A-D654	Carbon Metallic®	FORD: Aerostar (87-93), Explorer (91-94), Ranger (84-94) FRONT	P
0394.11	7397-D394 7284-D394	Z-Rated®	AUDI: 200 (90-91) BMW: M3 (95-98/01-06), M3 CSL (03-05), M5 (91-93/00-01), 525 (89-90), 525i (91-93, 95), 525i Touring Wagon (94-95), 530i inc Wagon (94-96), 535i (89-93), 540i (94), 735i (87-92), 740i inc iL (93-94), 750 inc iL (89-94) JAGUAR: XJR (95-97, 03-04), XJ6 (90-97), XJ12 (95-96), XK8 (97-98, 02) FRONT	P
0394.20	7397-D394 7284-D394	Carbon Metallic®	AUDI: 200 (90-91) BMW: M3 (95-98/01-06), M3 CSL (03-05), M5 (91-93/00-01), 525 (89-90), 525i (91-93, 95), 525i Touring Wagon (94-95), 530i inc Wagon (94-96), 535i (89-93), 540i (94), 735i (87-92), 740i inc iL (93-94), 750 inc iL (89-94) JAGUAR: XJR (95-97, 03-04), XJ6 (90-97), XJ12 (95-96), XK8 (97-98, 02) FRONT	DS
0395.11	7285-D395 7160-D253	Z-Rated®	BMW: M3 (88-91), 524td (85-86), 528e (82-88), 535i (85-88), 635 Csi (85-88) FERRARI: 308, 328, Mondial (81-89) FRONT	P
0395.20	7285-D395 7160-D253	Carbon Metallic®	BMW: M3 (88-91), 524td (85-86), 528e (82-88), 535i (85-88), 635 Csi (85-88) FERRARI: 308, 328, Mondial (81-89) FRONT	DS
0396.11	7286-D396 7567-D692	Z-Rated®	BMW: M3 (88-00), M5 (91-93), Z3 (97-98, 02), 318i (92-98), 325i (92-97), 325iS (93), 325 Ci (02), 325Xi (02), 328i (98), 328iS (98), 525 Series inc SW (94-03), 528i (95-96), 530i inc SW (94-03), 530 (02), 535i (89-93), 540i (94-03), 735i 735iL (91-92), 740i/740iL (93-94), 750iL (90-94) REAR	P
0396.20	7286-D396 7567-D692	Carbon Metallic®	BMW: M3 (88-00), M5 (91-93), Z3 (97-98, 02), 318i (92-98), 325i (92-97), 325iS (93), 325 Ci (02), 325Xi (02), 328i (98), 328iS (98), 525 Series inc SW (94-03), 528i (95-96), 530i inc SW (94-03), 530 (02), 535i (89-93), 540i (94-03), 735i 735iL (91-92), 740i/740iL (93-94), 750iL (90-94) REAR	DS
0409.20	7445-D409 7235-D409 7235-D341	Carbon Metallic®	ACURA: Integra (90-93) Legend (86-90) HONDA: Accord (88-89) Civic (91-93) Prelude (88-91)	P
0411.10	7299-D411	Z-Rated®	FORD: F450 Super Duty (88-98) E350 Super Van (00) E450 SD (96-07), F53/59 SC (88-98) FRONT/REAR	P
0411.20	7299-D411	Carbon Metallic®	FORD: F450 Super Duty (88-98) E350 Super Van (00) E450 SD (96-07), F53/59 SC (88-98) FRONT/REAR	P
0412.10	7300-D412	Z-Rated®	CHEVY: Camaro w/ HD Brakes (89-92), Corvette (88-96) FORD: Mustand 5.0L (95-04) PANOZ: Esperante (01), Roadster (94-01) PONTIAC: Firebird w/ HD Brakes (89-92) FRONT	P
0412.20	7300-D412	Carbon Metallic®	CHEVY: Camaro w/ HD Brakes (89-92), Corvette (88-96) FORD: Mustand 5.0L (95-04) PANOZ: Esperante (01), Roadster (94-01) PONTIAC: Firebird w/ HD Brakes (89-92) FRONT	DS
0413.10	7301-D413	Z-Rated®	CHEVY: Camaro (89-97), Corvette (88-96) PONTIAC: Firebird (89-97) REAR	P
0413.20	7301-D413	Carbon Metallic®	CHEVY: Camaro (89-97), Corvette (88-96) PONTIAC: Firebird (89-97) REAR	DS
0417.10	7304A-D417	Z-Rated®	FORD Thunderbird (89-92) MERCURY: Cougar inc XR7 (89-92) FRONT	DS
0417.20	7304A-D417	Carbon Metallic®	FORD Thunderbird (89-92) MERCURY: Cougar inc XR7 (89-92) FRONT	P
0421.10	7308A-D421 7222A-D324	Z-Rated®	FORD: Taurus (86-92); LINCOLN: Continental (88-92); MERCURY: Sable (86-92) PHENOLIC PISTON FRONT	DS



Pad Part Numbering System

WWW.XX

FMSI /
Pad
Shape

Compound

Status Key

P = Current Production Part. SO = Special Order. Limited stock may exist.
 DS = Deplete Stock. Limited stock may exist. Prices subject to change without notice.
 Special order parts not in stock require a 6 week lead time and are subject to surcharges.
 10 - 20 sets \$83.56 / set; 21-50 sets \$41.78 / set; 51-99 sets \$16.72 / set; 100+ no surcharge.
 SO surcharge prices subject to applicable discounts.

AFTERMARKET BRAKE PADS PRICE SHEET				
PFC Part #	FMSI #	Pad / Material	Application	Status
0421.20	7308A-D421 7222A-D324	Carbon Metallic®	FORD: Taurus (86-92); LINCOLN: Continental (88-92); MERCURY: Sable (86-92) PHENOLIC PISTON FRONT	P
0421.23	7308A-D421 7222A-D324	Carbon Metallic®	FORD: Taurus (86-92); LINCOLN: Continental (88-92); MERCURY: Sable (86-92) PHENOLIC PISTON FRONT	P
0431.20	7082B-D200 7082B-D431 7378A-D200 7379-D431	Carbon Metallic®	FORD: Mustang 5.0L (87-93), Thunderbird Turbo Coupe (87-88) FRONT	P
0433.20	7320-D433 7276-D389 7320-D589 7604-D735	Carbon Metallic®	MAZDA: Protegé (90-98) TOYOTA: Tacoma 2wd except Pre Runner (95-04), 1/2 ton 4x2 w/ long and extra long beds (89-91) FRONT	P
0436.20	7298-D436 7549-D436	Carbon Metallic®	TOYOTA: 4 Runner w/ drum rear (90-91, 96-02), Tacoma 4wd (95-98), Tacoma 6cyl (03), Pick Up Trucks T100 (93-98) Pick Up 4wd (89-95), PreRunner (99-02) FRONT	P
0438.10	7205-D438	Z-Rated®	TOYOTA: 1 ton 4x2 Pick up (89-91) FRONT	DS
0438.20	7205-D438	Carbon Metallic®	TOYOTA: 1 ton 4x2 Pick up (89-91) FRONT	P
0438.30	7205-D438	Semi-Met	TOYOTA: 1 ton 4x2 Pick up (89-91) FRONT	P
0442.20	#N/A	Carbon Metallic®	#N/A	SO
0443.10	7325-D443	Z-Rated®	PORSCHE: 944 (89) FRONT	P
0447.10	7327-D447 7327-D609	Z-Rated®	PORSCHE 911, 928, 944S, 968 (85-95) FRONT/REAR	P
0447.20	7327-D447 7327-D609	Carbon Metallic®	PORSCHE 911, 928, 944S, 968 (85-95) FRONT/REAR	DS
0450.10	7330-D450 7054-D120	Z-Rated®	FORD: E250 (76-91), E350 (89-91), F250 (89-94), F350 (76-94) FRONT	DS
0450.20	7330-D450 7054-D120	Carbon Metallic®	FORD: E250 (76-91), E350 (89-91), F250 (89-94), F350 (76-94) FRONT	P
0459.20	7339-D459	Carbon Metallic®	CHEVY: C30/C35 w/DRW (90-91), G3500 Van w/DRW (96-02), G30/G35 w/DRW (96-00), K30/K35 w/DRW or Ext Cab (92-01), K30-K35 w/DRW exc 15000lb gvw (90-91), Suburban 2500 w/ 13" rear drum (89-00) FRONT	P
0460.20	7340-D460 7413-D531	Carbon Metallic®	DODGE: Stealth R/T AWD (91-94) MITSUBISHI: 3000GT VR4 (91-94), NISSAN: 300ZX (89-95), FRONT	SO
0461.10	7341-D461	Z-Rated®	NISSAN: 300ZX (89-95) REAR	DS
0461.20	7341-D461	Carbon Metallic®	NISSAN: 300ZX (89-95) REAR	SO
0463.10	7343-D463	Z-Rated®	MAZDA: RX-7 (89-92) FRONT	SO
0465.20	7345-D465 7632-D764	Carbon Metallic®	ACURA: CL (99) HONDA: Accord Coupe (93-99), Coupe w/drum rear (92), Sedan (94-96), Sedan w/drum rear (92-98) FRONT	P
0465.23	7345-D465 7632-D764	Carbon Metallic®	ACURA: CL (99) HONDA: Accord Coupe (93-99), Coupe w/drum rear (92), Sedan (94-96), Sedan w/drum rear (92-98) FRONT	P
0466.20	7219-D466	Carbon Metallic®	FORD: Aspire (94-97) Escort (91-94) KIA: Rio (01-03) MAZDA: 323 (91-94), Protégé (90-98) MERCURY: Tracer (91-94) FRONT	P
0473.20	7353-D473	Carbon Metallic®	FORD: Escort GT etc (94-03), ZX-2 (94-03) MAZDA: MX3 Protégé (90-98) MERCURY: Tracer (94-99) FRONT	P
0476.20	7357-D476 7615-D744 7357-D697 7357-D718	Carbon Metallic®	LEXUS: ES300 (92-96), LS400 (90-92), SC300 (92-98) TOYOTA: Avalon (95-97), Camry V6 (92-96), Celica GT (94-99), Sienna (98-03) FRONT	P
0477.10	7507A-D477 7358-D712	Z-Rated®	JEEP: Cherokee (94-01) Cherokee 4x4 (90-94), Grand Cherokee (92-98), Wrangler (90-06), Comanche 4x4 (90-92), Wagoneer (94-01) FRONT	SO
0477.20	7507A-D477 7358-D712	Carbon Metallic®	JEEP: Cherokee (94-01) Cherokee 4x4 (90-94), Grand Cherokee (92-98), Wrangler (90-06), Comanche 4x4 (90-92), Wagoneer (94-01) FRONT	P
0482.10	7186-D482	Z-Rated®	MAZDA: RX-7 (89-92), 6 (03-04) REAR	DS
0484.20	7365-D484	Carbon Metallic®	CHRYSLER: Sebring Coupe and Coupe 4 (95-05) DODGE: Avenger (95-00), Stratus (01-03) MITSUBISHI: Eclipse (95-01) w/ drum rear, Eclipse (91-94), Expo Van/Wagon (92-95), Galant w/ drum rear (91-01) FRONT	P
0494.20		Carbon Metallic®	IVECO: Euro Range 230T (87-88) FRONT	SO
0499.10	7501A-D499	Z-Rated®	FORD: Crown Vic (92-94), LTD Crown Vic (91) LTD Crown Vic SW (91), LINCOLN: Town Car exc Limo (91-94) MERCURY: Grand Marquis (90-94), Grand Marquis SW (91), Grand Marquis Police (94) FRONT	DS
0499.20	7501A-D499	Carbon Metallic®	FORD: Crown Vic (92-94), LTD Crown Vic (91) LTD Crown Vic SW (91), LINCOLN: Town Car exc Limo (91-94) MERCURY: Grand Marquis (90-94), Grand Marquis SW (91), Grand Marquis Police (94) FRONT	P
0502.10	7298-D502	Z-Rated®	TOYOTA: Land Cruiser (91-97); LEXUS: LX450 (96-97) FRONT	DS
0502.20	7298-D502	Carbon Metallic®	TOYOTA: Land Cruiser (91-97); LEXUS: LX450 (96-97) FRONT	P



Pad Part Numbering System

WWW.XX

FMSI /
Pad
Shape

Compound

Status Key

P = Current Production Part. SO = Special Order. Limited stock may exist.
 DS = Deplete Stock. Limited stock may exist. Prices subject to change without notice.
 Special order parts not in stock require a 6 week lead time and are subject to surcharges.
 10 - 20 sets \$83.56 / set; 21-50 sets \$41.78 / set; 51-99 sets \$16.72 / set; 100+ no surcharge.
 SO surcharge prices subject to applicable discounts.

AFTERMARKET BRAKE PADS PRICE SHEET				
PFC Part #	FMSI #	Pad / Material	Application	Status
0503.20	7382-D503	Carbon Metallic®	ACURA: CL 3.0 (97-99) Integra Type R (97-01), Legend (91-95), NSX-T (95-97), NSX (91-05), RL (96-98), TL (96-98), Vigor (92-94) HONDA: Accord SW (91-97), Accord Coupe (00-01), CRV (97, 99-01), Odyssey (95-97), Prelude SR (93), Prelude (98-01) FRONT	P
0505.10	7384-D505	Z-Rated®	BUICK: Electra, LaSabre, Limited, Park Avenue & Riviera (91-93); CADILLAC: Allante, Deville, El Dorado & Seville (91-94); CHEVROLET: Camaro & Lumina (92-93); OLDSMOBILE: Delta 88, 98, Silhouette APV & Toronado (91-93); PONTIAC: Bonneville, Catalina, Firebird (92-93) FRONT	DS
0505.20	7384-D505	Carbon Metallic®	BUICK: Electra, LaSabre, Limited, Park Avenue & Riviera (91-93); CADILLAC: Allante, Deville, El Dorado & Seville (91-94); CHEVROLET: Camaro & Lumina (92-93); OLDSMOBILE: Delta 88, 98, Silhouette APV & Toronado (91-93); PONTIAC: Bonneville, Catalina, Firebird (92-93) FRONT	P
0506.10	7385-D506 7554-D673	Z-Rated®	BUICK: Skylark (91-95); CHEVROLET: Beretta (92-96), Cavalier (92-05), Corsica (92-96); OLDSMOBILE: Achieva (92-98), Cutlass Calais (90-91); PONTIAC: Grand Am (91-98), Sunbird (92-94), Sunfire (95-05) FRONT	DS
0506.20	7385-D506 7554-D673	Carbon Metallic®	BUICK: Skylark (91-95); CHEVROLET: Beretta (92-96), Cavalier (92-05), Corsica (92-96); OLDSMOBILE: Achieva (92-98), Cutlass Calais (90-91); PONTIAC: Grand Am (91-98), Sunbird (92-94), Sunfire (95-05) FRONT	P
0507.20	7386-D507	Carbon Metallic®	SATURN: ALL (91-96) FRONT	P
0508.20	7387-D508 7387-D714	Carbon Metallic®	BUICK: LeSabre (00-05), Park Ave (97-03), Regal (94-96), Riviera (92-99) CADILLAC: Allante (93), DeVille (94-03), Eldorado (92-02), Seville (92-97) CHEVROLET: Lumina Sedan (96-99), Monte Carlo (95-99) OLDS: Aurora (95-03), Cutlass Supreme (94-97), Toronado (92) PONTIAC: Bonneville (00-05) Grand Prix (94-96) SATURN: Ion (91-99), L Series (91-99) S Series (91-99), Vue (91-99) REAR	P
0521.10	7403A-D521 7406-D524	Z-Rated®	CHRYSLER: Fifth Avenue (91-93), Imperial (92), Lebaron (90-95), New Yorker (91-93), Town & Country (92-94) DODGE: Daytona (91-93), Dynasty (91-93), Shadow (91-94), Spirit (91-95), Caravan w/ 14" whls (91-95), Grand Caravan w/ 14" whls (92-95) PLYMOUTH: Acclaim (91-95), Sundance (91-94), Voyager w/ 14" whls (91-95), Grand Voyager w/ 14" whls (91-95) FRONT	DS
0521.20	7403A-D521 7406-D524	Carbon Metallic®	CHRYSLER: Fifth Avenue (91-93), Imperial (92), Lebaron (90-95), New Yorker (91-93), Town & Country (92-94) DODGE: Daytona (91-93), Dynasty (91-93), Shadow (91-94), Spirit (91-95), Caravan w/ 14" whls (91-95), Grand Caravan w/ 14" whls (92-95) PLYMOUTH: Acclaim (91-95), Sundance (91-94), Voyager w/ 14" whls (91-95), Grand Voyager w/ 14" whls (91-95) FRONT	P
0522.20	7404A-D522	Carbon Metallic®	CHRYSLER: Lebaron w/ 15" whls (91-95), Town & Country w/ 15" whls (91-95); DODGE: Caravan w/ 15" whls (91-95), Spirit (91-94); PLYMOUTH: Acclaim (91-95), Voyager w/ 15" whls (91-95) Grand Voyager w/ 15" whls (91-95) FRONT	P
0526.20	7407-D526 7318-D815 7318-D430 7318-D653	Carbon Metallic®	INFINITI: G20 (99-01), G35 (03-05), I30 (96-01) NISSAN: Altima (93-01/07-08), Maxima (89-01), Sentra w/ disc rear (00-08), 350Z w/ standard brakes (03-05) SUZUKI: SX4 (07) FRONT	P
0529.20	7410-D529 7410A-D593	Carbon Metallic®	DODGE: Dakota (91-98) FRONT	P
0530.20	7412-D530 7412-D723	Carbon Metallic®	DODGE: Stealth 2wd (91-96) EAGLE: Talon Tsi Turbo AWD (92-99) MITSUBISHI: 3000GT 2wd (91-99), Diamante (91-04), Eclipse Spyder (93-00), Eclipse Coupe (93-00), Galant (91-00), Montero (92-00) Sport (97-04) PLYMOUTH: Laser AWD (92-94) FRONT	P
0537.20	7418-D537 7418-D536	Carbon Metallic®	ACURA: CL (97-03), Integra Type R (97-01), RDX (07-08), RL (96-04), RSX (02-06), TL inc Type S (96-08), TSX (04-08), Vigor (92-94) HONDA: Accord all (92-05), Civic Coupe and Sedan Si (03-07), CRV (02-04), Element (03-05), Odyssey (95-98), Prelude (92-01), S2000 (00-05) SUZUKI: SX4 (07) REAR	P
0544.20	7424A-D544 7542-D662	Carbon Metallic®	FORD: Crown Victoria (92-95) LINCOLN: Town Car (92-95) MERCURY: Grand Marquis (92-95), Marquis (92-95) REAR	P
0546.10	7425-D546 7425-D675	Z-Rated®	CHEVY: W3500 w/ gas or diesel (95-97), W4 series w/ Gas or diesel (87-97), W4500 w/ gas or diesel (95-97) GMC: W3500 w/ gas or diesel (95-97), W4 series w/ Gas or diesel (87-97), W4500 w/ gas or diesel (95-97) ISUZU: NPR (87-97) Flat Low (87-92) FRONT	DS
0546.20	7425-D546 7425-D675	Carbon Metallic®	CHEVY: W3500 w/ gas or diesel (95-97), W4 series w/ Gas or diesel (87-97), W4500 w/ gas or diesel (95-97) GMC: W3500 w/ gas or diesel (95-97), W4 series w/ Gas or diesel (87-97), W4500 w/ gas or diesel (95-97) ISUZU: NPR (87-97) Flat Low (87-92) FRONT	SO
0548.11	7427-D548 7427-D683 7427-D1042	Z-Rated®	BMW: M5 (00-04), X3 (04-05), X5 (00-05) 740i (94-01), 740iL (94-01), 750iL (95-01) 840Ci (94-97), 850i/Ci (90-97) 850CSi (94-95) REAR	P
0557.10	7436-D557	Z-Rated®	FORD: E250 (92-94), E350 w/drw (92), E350 (92-94) FRONT	SO
0557.20	7436-D557	Carbon Metallic®	FORD: E250 (92-94), E350 w/drw (92), E350 (92-94) FRONT	P
0557.30	7436-D557	Semi-Met	FORD: E250 (92-94), E350 w/drw (92), E350 (92-94) FRONT	DS



Pad Part Numbering System

WWW.XX

FMSI /
Pad
Shape

Compound

Status Key

P = Current Production Part. SO = Special Order. Limited stock may exist.
 DS = Deplete Stock. Limited stock may exist. Prices subject to change without notice.
 Special order parts not in stock require a 6 week lead time and are subject to surcharges.
 10 - 20 sets \$83.56 / set; 21-50 sets \$41.78 / set; 51-99 sets \$16.72 / set; 100+ no surcharge.
 SO surcharge prices subject to applicable discounts.

AFTERMARKET BRAKE PADS PRICE SHEET				
PFC Part #	FMSI #	Pad / Material	Application	Status
0558.11	7437-D558 7649-D781 7847-D781	Z-Rated®	BMW 318i/iS (92-98), 318Ti (95-99), 323 (98-00), 325i inc iS (91-98), 328i & 328iS (99-00), Z3 (96-02) FRONT	P
0558.20	7437-D558 7649-D781 7847-D781	Carbon Metallic®	BMW 318i/iS (92-98), 318Ti (95-99), 323 (98-00), 325i inc iS (91-98), 328i & 328iS (99-00), Z3 (96-02) FRONT	P
0562.20	7441-D562 7441-D695	Carbon Metallic®	GEO: Prizm (93-97) TOYOTA: Camry w/ 4cyl (92-99), Camry w/ 14" whl (00-01), Celica w/drum rear (94-97), Corolla (93-97), Rav-4 (96-03) FRONT	P
0576.20	7456-D576	Carbon Metallic®	MERCURY: Villager (93-03) NISSAN: Quest (93-02) FRONT	P
0579.20	7459-D579 7585-D579	Carbon Metallic®	ACURA: SLX (96-99) HONDA: Passport (94-01) ISUZU: Amigo (98-00), Axiom (01-02), Rodeo (96-01), Rodeo Sport (96-01) FRONT	P
0591.10	7470A-D591 7623-D730 7678-D730 7597-D730	Z-Rated®	CHRYSLER: Concorde (99-04), LHS (93-01), New Yorker (94-96), Town and Country (96-00), Voyager (93-01) DODGE: Intrepid (93-04), Caravan (96-00), Neon w/ rear disc and 5 lugs (94-05), Voyager (00) EAGLE: Vision (93-98) PLYMOUTH: Grand Voyager/Voyager (96-00) FRONT	SO
0591.20	7470A-D591 7623-D730 7678-D730 7597-D730	Carbon Metallic®	CHRYSLER: Concorde (99-04), LHS (93-01), New Yorker (94-96), Town and Country (96-00), Voyager (93-01) DODGE: Intrepid (93-04), Caravan (96-00), Neon w/ rear disc and 5 lugs (94-05), Voyager (00) EAGLE: Vision (93-98) PLYMOUTH: Grand Voyager/Voyager (96-00) FRONT	P
0594.10	7473-D594 7770-D594	Z-Rated®	FERRARI: F355 GT/GTS (95-97), PORSCHE 911 Turbo (94-95) 911 C4S, Turbo and Turbo S (96-98) FRONT	SO
0598.20	7476-D598 7633-D765	Carbon Metallic®	FORD: Taurus (01-07) Taurus SHO (96-99) LINCOLN: Continental (95-02), Mark 8 (93-98) MERCURY: Sable (01-06) FRONT	P
0600.10	7478-D600	Z-Rated®	FORD: Mustang exc Cobra (93-97), Thunderbird (93-97) MERCURY: Cougar & XR7 (93-96) FRONT	SO
0600.20	7478-D600	Carbon Metallic®	FORD: Mustang exc Cobra (93-97), Thunderbird (93-97) MERCURY: Cougar & XR7 (93-96) FRONT	P
0601.20	7479-D601 7536-D656	Carbon Metallic®	FORD: Taurus (94-00), Taurus Police (94-00), Taurus SHO (94-99), Taurus Wagon (94-01), Windstar (95-98) LINCOLN: Continental (93-94) MERCURY: Sable (94-00), Sable Police (94-97), Sable Wagon (94-01) FRONT	P
0610.20	7489-D610	Carbon Metallic®	FORD: Taurus inc Police & SHO (94-07), Taurus Wagon (95-00) LINCOLN: Continental (93-02) MERCURY: Sable inc Police (93-06), Sable Wagon (95-00) REAR	P
0611.10	7298-D611	Z-Rated®	TOYOTA: 4Runner (92-01), T100 1/2 ton 4WD (97-98) (93-95)	SO
0614.21	7492-D614	Carbon Metallic®	CHEVY: Caprice Police (931/2), Impala SS (95-96) FRONT	P
0617.20	7493-D617	Carbon Metallic®	ACURA: Integra exc.Type R (94-01) HONDA: Civic 1.6l w/ABS (92-95), Civic EX 2&4 door w/abs (94-95), Civic del Sol w/disc rear (95-97) FRONT	P
0619.10	7495-D619	Z-Rated®	LEXUS: GS300 (93-05), GS400 (98-00), GS430 (01-05), IS300 (00-05), SC430 (02-08) TOYOTA: Supra non-turbo (93-98) FRONT	DS
0621.10	7497-D621 7998-D621	Z-Rated®	ACURA: RSX exc Type S (02-05) HONDA: Civic Si 3dr (04), Civic EX (93) Fit (07) FRONT	SO
0623.20	7384-D623	Carbon Metallic®	BUICK: LeSabre (94-99), Park Avenue (94-96), Riviera (95-96) CADILLAC: Deville (94-96), Concours (94-96), Eldorado (94-96), Seville (94-96), CHEVY: Camero (94-97) Lumina APV (94-96) OLDS: Aurora (94-99), 88 (94-99), 98 (94-96) Silhouette (94-96) FRONT	P
0627.10	7504-D627 7524-D627	Z-Rated®	FORD: Mustang inc Cobra (94-04) REAR	P
0628.20	7505-D628	Carbon Metallic®	CHEVY: Caprice inc Police (94-96), Impala (95-96) REAR	P
0630.10	7509-D630	Z-Rated®	TOYOTA: Supra (93-98) REAR	DS
0632.10	7503-D632 7503-D626	Z-Rated®	FORD: Bronco (94-96), E150 (94-03), F150 (94-96) FRONT	SO
0632.20	7503-D632 7503-D626	Carbon Metallic®	FORD: Bronco (94-96), E150 (94-03), F150 (94-96) FRONT	P
0633.20	7511A-D633	Carbon Metallic®	DODGE: Neon w/ 4 lug rotors (97-95) PLYMOUTH: Neon w/ 4 lug rotors (94-95) FRONT	P
0637.20	7515-D637	Carbon Metallic®	FORD: Probe (93-97) MAZDA: MX-6 (93-97), Protégé ES (99-01), 626 (93-97), 626 w/drum rear (98-02) FRONT	P
0642.20	7518A-D642	Carbon Metallic®	DODGE: Neon (94-98) PLYMOUTH: Neon (95-98) FRONT	P
0648.20	7528-D648 7528-D745 7672-D801	Carbon Metallic®	FORD: Contour (95-00) MERCURY: Mystique (95-00) Cougar (99-04) comes w/o wear sensor FRONT	P
0650.20	7530A-D650	Carbon Metallic®	CHRYSLER: Cirrus (95-00), Sebring Conv. (96-00) DODGE: Stratus (95-00) PLYMOUTH: Breeze (96-00) FRONT	P
0652.20	7532-D652	Carbon Metallic®	FORD: Explorer (95-01), Ranger (95-02) MAZDA: B2200 (95-02), B2500 (95-02), B2600 (95-02), B3000 (95-02), B4000 (95-02) MERCURY: Mountaineer (97-01) FRONT	P



Pad Part Numbering System

WWW.XX

FMSI /
Pad
Shape

Compound

Status Key

P = Current Production Part. SO = Special Order. Limited stock may exist.
 DS = Deplete Stock. Limited stock may exist. Prices subject to change without notice.
 Special order parts not in stock require a 6 week lead time and are subject to surcharges.
 10 - 20 sets \$83.56 / set; 21-50 sets \$41.78 / set; 51-99 sets \$16.72 / set; 100+ no surcharge.
 SO surcharge prices subject to applicable discounts.

AFTERMARKET BRAKE PADS PRICE SHEET				
PFC Part #	FMSI #	Pad / Material	Application	Status
0655.10	7535-D655 7677-D655	Z-Rated®	DODGE: Ram Van 2500 (03), Ram Van B2500 (98-03), Ram Van 3500 (03), Ram Van B3500 (98-03) FORD: E250 (95-07), E350SD (95-07), E450SD (96-07) E Super Duty (00), F250 (95-96), F350 (95-98) FRONT	P
0655.20	7535-D655 7677-D655	Carbon Metallic®	DODGE: Ram Van 2500 (03), Ram Van B2500 (98-03), Ram Van 3500 (03), Ram Van B3500 (98-03) FORD: E250 (95-07), E350SD (95-07), E450SD (96-07) E Super Duty (00), F250 (95-96), F350 (95-98) FRONT	P
0655.30	7535-D655 7677-D655	Semi-Met	DODGE: Ram Van 2500 (03), Ram Van B2500 (98-03), Ram Van 3500 (03), Ram Van B3500 (98-03) FORD: E250 (95-07), E350SD (95-07), E450SD (96-07) E Super Duty (00), F250 (95-96), F350 (95-98) FRONT	P
0659.20	7537-D659 7537-D678	Carbon Metallic®	FORD: Crown Vic inc Police (95-97) LINCOLN: Town Car (95-98) MERCURY: Grand Marquis inc Police (95-98) FRONT	P
0666.20	7502A-D666 7502-D713	Carbon Metallic®	JEEP: Grand Cherokee (95-98) REAR	P
0667.20	7545A-D667	Carbon Metallic®	FORD: Explorer (95-01) MERCURY: Mountaineer (97-01) REAR	P
0673.20	7385-D506 7554-D673	Carbon Metallic®	BUICK: Skylark (91-95); CHEVROLET: Beretta (92-96), Cavalier (92-05), Corsica (92-96); OLDSMOBILE: Achieva (92-98), Cutlass Calais (90-91); PONTIAC: Grand Am (91-98), Sunbird (92-94), Sunfire (95-05) FRONT	DS
0674.20	7555-D674	Carbon Metallic®	FORD: Crown Vic 1.5" Clip Police (96-02) LINCOLN: Town Car (96-02) MERCURY: Grand Marquis Non-Police (96-98) REAR	P
0679.10	7558-D679	Z-Rated®	FORD: F150 exc lightning & 7000lb gvw (96-03) LINCOLN: Blackwood (02-03) FRONT	SO
0679.20	7558-D679	Carbon Metallic®	FORD: F150 exc lightning & 7000lb gvw (96-03) LINCOLN: Blackwood (02-03) FRONT	P
0687.10	7434-D687 7710-D687	Z-Rated®	AUDI: TT/TT Quattro 1.8l (99-06) VW: Golf Gti (96-05), GLS Turbo (96-05), GLX inc VR6, (96-05), 2.8 VR6 (03-05), Jetta VR6 (96-05), Jetta GLS Turbo (02-05), New Beetle w/ Turbo inc. convertible (99-07), Passat GLX VR6 (96-97) FRONT	P
0690.20	7565A-D690 AKA: 674A	Carbon Metallic®	FORD: Crown Vic w/ 1" Clip (96-02) LINCOLN: Town Car (96-02) MERCURY: Grand Marquis non Police (96-98) REAR	P
0691.20	7566-D691 7566-D855	Carbon Metallic®	ACURA: MDX (03-06) INFINITI: QX4 (97-03), Q45 (97-01), QX56 (97-03) NISSAN: Pathfinder (96-04), Quest (04-06) FRONT	P
0699.20	7574-D699 7693-D818 7693-D1224	Carbon Metallic®	BUICK: Century (97-05), LeSabre w/ 15' whl (00-05), Park Avenue (97-05), Regal (97-04) CADILLAC: Deville w/ standard brakes (97-04), El Dorado (97-02), Seville (97,03-04), CHEVY: Impala LS, SS and Police (99-06), Monte Carlo (00-05), Venture (97-05) OLDS: Aurora (97-03), Intrigue (98-02), Silhouette w/drum rear (97-04) PONTIAC: Bonneville (00-04), Grand Prix (97-03) Montana w/drum rear (99-04) Montana w/FWD (05), Transport (97-98) FRONT	P
0702.10	7576-D702 7774-D897	Z-Rated®	DODGE: Ram 1500 Pick Up (00-05) FORD: F150 (00-02) F150 Lightning (03-04), F150 Heritage (04), F150 7700 GVW 7 lug whl (03), F250 exc. SD (97-98), Expedition to 3-18-2002 (97-02), LINCOLN: Navigator (97-02) FRONT	SO
0702.20	7576-D702 7774-D897	Carbon Metallic®	DODGE: Ram 1500 Pick Up (00-05) FORD: F150 (00-02) F150 Lightning (03-04), F150 Heritage (04), F150 7700 GVW 7 lug whl (03), F250 exc. SD (97-98), Expedition to 3-18-2002 (97-02), LINCOLN: Navigator (97-02) FRONT	P
0707.20	7581-D707	Carbon Metallic®	LEXUS: ES300 (97-01), RX300 (98-01) TOYOTA: Avalon (98-04), Camry w/ 6 cyl (97-01), Solara (99-03) FRONT	P
0711.10	7584-D711 7584-D879	Z-Rated®	FORD: F150 (99-03), F150 Lightning (03-04), F150 Heritage (04), F150 7700 GVW 7-lug whl (03-04), F250 exc. SD (98-99), Expedition (97-02) LINCOLN: Blackwood (02-03), Navigator (97-02), Town Car Limo (04-07) REAR	SO
0711.20	7584-D711 7584-D879	Carbon Metallic®	FORD: F150 (99-03), F150 Lightning (03-04), F150 Heritage (04), F150 7700 GVW 7-lug whl (03-04), F250 exc. SD (98-99), Expedition (97-02) LINCOLN: Blackwood (02-03), Navigator (97-02), Town Car Limo (04-07) REAR	P
0726.20	7593-D726	Carbon Metallic®	CHEVROLET: Blazer (97-05), S-10 Pick Up (98-04), T-10 Pick Up (03-04) GMC Envoy (98-01) Jimmy (97-05), Sonoma (98-05) ISUZU: Hombre w/4wd (98-00) OLDS: Bravada (97-01) FRONT	P
0727.20	7594-D727 7620-D752	Carbon Metallic®	CHEVY: Classic (04-05), Malibu w/ drum rear (97-04), OLDS: Alero (99-04), Cutlass (97-99) PONTIAC: Grand Am (99-05) FRONT	P
0729.20	7596-D729	Carbon Metallic®	CHEVY: Blazer (97-05) S-10 (98-04) S-10 4wd (04) T-10 (03-04) GMC: Envoy (99-01), Jimmy (97-05) Sonoma (98-02) Sonoma 4wd (00), Sonoma S-15 (03-04), Sonoma T-15 (03-04) ISUZU: Hombre (99-00) OLDS: Bravada (97-01) REAR	P
0731.10	7599-D731	Z-Rated®	CADILLAC: XLR (04-08) CHEVY: Corvette C5/C6 (97-07), Corvette Z06 (04-05) PONTIAC: GTO (05-06) FRONT	SO
0731.20	7599-D731	Carbon Metallic®	CADILLAC: XLR (04-08) CHEVY: Corvette C5/C6 (97-07), Corvette Z06 (04-05) PONTIAC: GTO (05-06) FRONT	P
0732.10	7600-D732	Z-Rated®	CADILLAC: XLR (04-08) CHEVY: Corvette C5/C6 (97-07), Corvette Z06 (04-05) REAR	SO
0732.20	7600-D732	Carbon Metallic®	CADILLAC: XLR (04-08) CHEVY: Corvette C5/C6 (97-07), Corvette Z06 (04-05) REAR	P
0741.20	7611-D741	Carbon Metallic®	CHEVY: Prizm (98-02) TOYOTA: Corolla (98-02) FRONT	P
0746.20	7616-D746	Carbon Metallic®	DODGE: Dakota (99), Durango (98-99) FRONT	P



Pad Part Numbering System

WWW.XX

FMSI /
Pad
Shape

Compound

Status Key

P = Current Production Part. SO = Special Order. Limited stock may exist.
 DS = Deplete Stock. Limited stock may exist. Prices subject to change without notice.
 Special order parts not in stock require a 6 week lead time and are subject to surcharges.
 10 - 20 sets \$83.56 / set; 21-50 sets \$41.78 / set; 51-99 sets \$16.72 / set; 100+ no surcharge.
 SO surcharge prices subject to applicable discounts.

AFTERMARKET BRAKE PADS PRICE SHEET				
PFC Part #	FMSI #	Pad / Material	Application	Status
0748.10	7617-D748	Z-Rated®	FORD: Crown Vic (98-02), LINCOLN: Town Car (98-02) MERCURY: Grand Marquis (98-02) FRONT	SO
0748.20	7617-D748	Carbon Metallic®	FORD: Crown Vic (98-02), LINCOLN: Town Car (98-02) MERCURY: Grand Marquis (98-02) FRONT	P
0749.20	7618-D749	Carbon Metallic®	CHEVY: Camaro (98-02) PONTIAC: Firebird (98-02) FRONT	P
0756.10	7625-D756 7625-D824	Z-Rated®	FORD: Excursion (99-05), F250 (00-04), F250 SD (99-04), F350 SRW and DRW (99-04), F350 SD (99-04) FRONT	SO
0756.20	7625-D756 7625-D824	Carbon Metallic®	FORD: Excursion (99-05), F250 (00-04), F250 SD (99-04), F350 SRW and DRW (99-04), F350 SD (99-04) FRONT	P
0757.10	7626-D757	Z-Rated®	FORD: Excursion (00-05), F250 (00-04), F250 SD (00-04), F350 (00-04), F350 SD (00-04) REAR	SO
0757.20	7626-D757	Carbon Metallic®	FORD: Excursion (00-05), F250 (00-04), F250 SD (00-04), F350 (00-04), F350 SD (00-04) REAR	P
0758.20	7627-D758 7718-D842	Carbon Metallic®	DODGE: Ram 1500 Pick Up (00-01), Ram Van B1500 (99-03) FRONT	P
0769.10	7636-D769	Z-Rated®	CHEVY: C55/C65, Dayton 4 Piston Caliper (03-05) HINO: 145 w/ 4 piston caliper (03-07), 165 w/ 4 piston caliper (03-07), 185 w/ 4 piston caliper (03-07), 268 (03-07), 338 (03-07) THOMAS: Bus (95-98) FRONT/REAR	P
0771.10	#N/A	Z-Rated®	#N/A	DS
0777.10	7644-D777	Z-Rated®	FORD: F450 SD Fr and Rr (99-01), F550 SD Fr and Rr (99-01), F53/F59 RV/SC (99-05) FRONT/REAR	P
0777.20	7644-D777	Carbon Metallic®	FORD: F450 SD Fr and Rr (99-01), F550 SD Fr and Rr (99-01), F53/F59 RV/SC (99-05) FRONT/REAR	P
0782.20	7650-D782 7438-D759 7717-D759 7438A-D658 7438B-D641	Carbon Metallic®	CHRYSLER: Cirrus (95-00), Concorde (93-04), LHS (93-02), New Yorker (91-96), PT CruiserGT (07-08), PT Cruiser (01-08), Sebring Sedan (95-05), Sebring Conv. (96-05), 300M (99-04) DODGE: Intrepid (93-04), Neon (95-04), Shadow (90-94), Spirit (90-95), Stratus Sedan/ Convert. (95-05) EAGLE: Vision (93-98) PLYMOUTH: Acclaim (90-95), Breeze (96-00), Neon (94-01) REAR	P
0784.20	7652-D784	Carbon Metallic®	CADILLAC: Deville w/ HD brakes (00-05), DTS w/ HD Brakes (06-08) CHEVY: Avalanche 2500 (02-04), Express 2500 (07-08), Express 2500 8500lb gvw (03-06), Express 3500 w/ SRW/DRW (03-08), Express 3500 8500lb gvw (07-08), Silverado 1500 W/4wd & Crew Cab (01-05), Silverado 1500HD (07), Silverado 2500 w/ 2wd (99-06), Silverado 2500 HD (99-08), Silverado 3500 inc HD (01-08), Suburban 2500 w/ disc rear (00-08) GMC: Savana Van 2500 8500 & 8600lb gvw (03-08), Savana Van 3500 inc DRW and 8600 gvw (03-08), Sierra 1500 2wd & 4wd HD Crew Cab (01-07), Sierra 2500 2wd & 4wd (99-08), Sierra 2500 2wd & 4wd HD (00-08), Sierra 3500 (02-08), Suburban 2500 (06), Yukon XL 2500 (00-08) HUMMER: H2 (03-08) FRONT	P
0785.20	7653-D785	Carbon Metallic®	CADILLAC: Escalade inc ESV, EXT (02-06) CHEVY: Avalanche 1500 (02-06), Avalanche 2500 (04), Silverado 1500 w/ disc rear (07), Silverado 1500HD (07), Silverado 1500 2wd & 4wd exc HD (99-06), Silverado 1500 SS (03-06) Silverado 1500 Hybrid (06), Suburban 1500 (00-06), Express Van 1500 (03-07), Express Van 2500 7300lb gvw (03-04), Suburban 2500 (00-08) rear, Suburban 2500 (04) f/r, Silverado 2500 (99-06) rear, Silverado 2500 HD (01-02, 07-08), Silverado 3500 (04-08), Tahoe (06) GMC Denali (00), Safari Van (03-04), Savana Van 1500 (03-08), Savana Van 2500 7300lb gvw (03-06), Sierra 1500 2wd exc Crew Cab (99-06) front, Sierra 1500 HD (01-03) rear, Sierra 2500 2wd & 4wd & HD (99-08) rear, Sierra 3500 w/ 9900 gvw (06-08), Sierra Denali (02-06), Yukon (00-06), Yukon Denali (05-06), Yukon XL 1500 (00-06) front, Yukon XL 2500 (00-02 & 04-08) rear, HUMMER: H2 (03-0) rear FRONT/REAR	P
0786.10	7654-D786	Z-Rated®	INTERNATIONAL: 6000lb & 8000 lb axles w/ 66mm Caliper, 3000 & 4000 Series School Bus w/ 66 mm caliper FRONT/REAR	P
0786.11	7654-D786	Z-Rated®	INTERNATIONAL: 6000lb & 8000 lb axles w/ 66mm Caliper, 3000 & 4000 Series School Bus w/ 66 mm caliper FRONT/REAR	P
0786.20	7654-D786	Carbon Metallic®	INTERNATIONAL: 6000lb & 8000 lb axles w/ 66mm Caliper, 3000 & 4000 Series School Bus w/ 66 mm caliper FRONT/REAR	P
0786.23	7654-D786	Carbon Metallic®	INTERNATIONAL: 6000lb & 8000 lb axles w/ 66mm Caliper, 3000 & 4000 Series School Bus w/ 66 mm caliper FRONT/REAR	P
0787.20	7656-D787	Carbon Metallic®	ACURA: CL (01-03), RL (99-04), TL w/ standard calipers (99-08), TSX (04-08) HONDA: Accord EX Coupe w/ man trans V6 (03-05) FRONT	P
0790.20	7660-D790	Carbon Metallic®	JEEP: Grand Cherokee (99-02) FRONT	P
0791.20	7661-D791	Carbon Metallic®	JEEP: Grand Cherokee (99-04) REAR	P
0792.20	7700-D792 7662-D792	Carbon Metallic®	CADILLAC: DTS w/ HD Brakes (06-08) CHEVY: Avalanche 2500 (03-06), Silverado 1500 w/ rear disc (07), Silverado 1500 exc HD (01-06), Silverado SS (06) GMC: Sierra 1500 (99-00), exc. HD (01-03) REAR	P
0798.20	7670-D798	Carbon Metallic®	MAZDA: Protégé w/1.6L engine (99-01) FRONT	P



Pad Part Numbering System

WWW.XX

FMSI /
Pad
Shape

Compound

Status Key

P = Current Production Part. SO = Special Order. Limited stock may exist.
 DS = Deplete Stock. Limited stock may exist. Prices subject to change without notice.
 Special order parts not in stock require a 6 week lead time and are subject to surcharges.
 10 - 20 sets \$83.56 / set; 21-50 sets \$41.78 / set; 51-99 sets \$16.72 / set; 100+ no surcharge.
 SO surcharge prices subject to applicable discounts.

AFTERMARKET BRAKE PADS PRICE SHEET				
PFC Part #	FMSI #	Pad / Material	Application	Status
0802.20	7673-D802	Carbon Metallic®	FORD: E250 Econoline (99-07), E350 Econoline All Chassis types (99-07) REAR	P
0803.20	7674-D803	Carbon Metallic®	FORD: Windstar (99-03) FRONT	P
0804.20	7675-D804	Carbon Metallic®	FORD: Mustang exc. Cobra models (99-03), Mustang Base and GT (04) FRONT	P
0805.20	7676-D805 7676-D849	Carbon Metallic®	FORD: Thunderbird (02-05) JAGUAR: S-Type (00-02), LINCOLN: LS all (00-05) FRONT	P
0812.20	7687-D812	Carbon Metallic®	TOYOTA: Land Cruiser (98-01), Tundra (99-03) Sequoia (01-03) FRONT	P
0814.20	7387-D814 7387-D698	Carbon Metallic®	BUICK: Regal (02-06), Rendezvous (02-06) CHEVY: Impala inc Police (02-08), Monte Carlo (00-06), Venture (98-05) OLDS: Alero (98-04) Intrigue (98-02), Silhouette (02-04) PONTIAC: Aztek (01-05), Grand Am (99-05), Grand Prix (97-05), Montana w/ AWD (02-04), Transport (99-05) REAR	P
0815.10	7783-D815 7832-D815	Z-Rated®	NISSAN: Altima (93-06), Maxima (02-04), Sentra w/ disc rear (93-04), 350Z (02-04) FRONT	SO
0815.20	7783-D815 7832-D815	Carbon Metallic®	NISSAN: Altima (93-06), Maxima (02-04), Sentra w/ disc rear (93-04), 350Z (02-04) FRONT	P
0816.20	7690-D816	Carbon Metallic®	FORD: Focus exc. SVT (00-04) FRONT	P
0820.20	7616-D820	Carbon Metallic®	DODGE: Durango, Dakota (00-02) FRONT	P
0821.20	7694-D821 7694-D859	Carbon Metallic®	DODGE: Ram 2500 (00-02), Ram 3500 (00-02) FRONT	P
0825.20	7697-D825	Carbon Metallic®	CHEVY: W4 Series (98-02) GMC: W4 Series (98-02) ISUZU: NPR (98-02) FRONT	P
0827.20	7699-D827	Carbon Metallic®	CHEVY: W4 Series (98-07) GMC: W4 Series (98-07) ISUZU: NPR (98-07), NQR (99-05), NRR (04-07) FRONT	P
0830.20	7876-D830 7703-D830	Carbon Metallic®	NISSAN: Frontier w/ V6 (03-04), Xterra (00-04) FRONT	P
0833.20	7706-D833 7794-D913	Carbon Metallic®	CHEVY: Equinox (05) FORD: Explorer (02-05), Explorer Sport (01-05), Sport Trac (01-05), Ranger (03-07) MERCURY: Mountaineer (02-05) This does not have wear sensors FRONT	P
0834.20	7707-D834	Carbon Metallic®	CADILLAC: Escalade all (02-05), EXT all (02-05) CHEVY: Avalanche 1500 w/ 4wd, (02-03), Silverado 1500 w/ext cab, 2dr/4whl steer (02-05), SS (04-05), , Suburban 1500 w/ limited slip axle (00-02) Suburban 1500 w/4wd (03-05) Tahoe (00-02), Tahoe w/4wd (03 GMC: Denali (00/02-03), Sierra 1500 w/4 whl steer exc Crew Cab (02-05), Yukon w/ limited slip axle 4wd (00-03), Yukon w/ limited slip axle 2wd (00-02) Yukon w/ 4wd (03-05) Yukon XL w/4wd (03-05) REAR	P
0843.20	7719-D843	Carbon Metallic®	FORD: Escape w/ rear drum (01-05) MAZDA: Tribute w/ rear drum (01-06) Tribute i (06) MERCURY: Mariner Convenience (06-07) Mariner Hybrid (07) Mariner (07) FRONT	P
0844.20	7720-D844	Carbon Metallic®	BUICK: Rendezvous (02-06) CHEVY: Venture w/ AWD (02-04) Olds: Silhouette w/ AWD (02-04) Pontiac: Aztek (01-05), Montana w/ AWD (02-04) FRONT	P
0856.20	7732-D856	Carbon Metallic®	CHRYSLER: Grand Voyager w/15 " wheels (01), Town and Country w/ drum rear (04-05), Voyager w/15" wheels (01-03), DODGE: Caravan w/ 15" wheels (01-07), Grand Caravan w/15" wheels (01-05) JEEP: Liberty (02-06) FRONT	P
0857.20	7733-D857	Carbon Metallic®	CHRYSLER: Grand Voyager w/16 " wheels (01), Town and Country w/ disc rear (01-07), Voyager w/16" wheels (01-03), DODGE: Caravan w/ 16" wheels (01-04), Grand Caravan w/16" wheels (01-07) FRONT	P
0858.20	7734-DD858	Carbon Metallic®	2007-2001 Chrys/Dodge T&C/Caravan, R	P
0869.20	7744-D869	Carbon Metallic®	CHRYSLER: Sebring (01-06), Sebring Convertible (01-05), Sebring Sedan (03) DODGE: Intrepid w/ABS (02-04) Stratus (01-02), Stratus Sedan (03), Stratus Convertible (02), Stratus (04-06) FRONT	P
0881.20	7758-D881 7907-D881	Carbon Metallic®	FORD: Explorer (02-05) MERCURY: Mountaineer (02-05) REAR	P
0882.20	7759-D882	Carbon Metallic®	BUICK: Rainier (04-05) CHEVY: SSR (03-05), Trailblazer (02-05) GMC: Envoy all (02-05) ISUZU: Ascender (03-06) OLDS Bravada (02-04) SAAB: 9-7X (05) FRONT	P
0883.20	7760-D883	Carbon Metallic®	BUICK: Enclave (08), Rainier (04-08), CHEVY: SSR (03-06), Trailblazer (02-06) GMC: Acadia (08), Envoy (02-08), Envoy XL (03-08) ISUZU Ascender (03-05) OLDS Bravada (02-04) SAAB: 9-7X (05-08) REAR	P
0909.20	7788-D909	Carbon Metallic®	CHEVY: Silverado 3500 (01-03), Silverado 3500 12k GVW (04-08), Silverado 3500HD 12k GVW (07-08) GMC: Sierra 3500 (01-03), Sierra 3500 12k GVW (04-07), Sierra 3500HD 12k GVW (07-08) REAR	P
0923.20	7824-D923	Carbon Metallic®	PONTIAC: Vibe all (03-06) TOYOTA: Corolla & XRS (03-08), Matrix 2wd & 4wd (03-08) FRONT	P
0928.10	7829-D928	Z-Rated®	FREIGHTLINER: Sprinter Vans w/ Bosch Calipers (02-04) Dodge: Sprinter 2500 (03-05) MERCEDES: G55 AMG (02-07) G500 (02-07) Sprinter 2500 (02-04) REAR	P
0929.10	7830-D929 7880-D929	Z-Rated®	SAAB: 9-2X AWD (05-06) SUBARU: Baja (03-05), Forester (02-08), Imprezza exc WRX STI (02-08), Legacy (02-08), Outback (02-08) FRONT	P
0931.20	7834-D931	Carbon Metallic®	FORD: Crown Vic (03-07) LINCOLN: Town Car inc Limo (03-07) MERCURY: Grand Marquis (03-08), Marauder (03-04) FRONT	P



Pad Part Numbering System

WWW.XX

FMSI /
Pad
Shape

Compound

Status Key

P = Current Production Part. SO = Special Order. Limited stock may exist.
 DS = Deplete Stock. Limited stock may exist. Prices subject to change without notice.
 Special order parts not in stock require a 6 week lead time and are subject to surcharges.
 10 - 20 sets \$83.56 / set; 21-50 sets \$41.78 / set; 51-99 sets \$16.72 / set; 100+ no surcharge.
 SO surcharge prices subject to applicable discounts.

AFTERMARKET BRAKE PADS PRICE SHEET				
PFC Part #	FMSI #	Pad / Material	Application	Status
0932.20	7835-D932	Carbon Metallic®	FORD: Crown Vic (03-04) LINCOLN: Town Car inc Limo (03-05) MERCURY: Grand Marquis (03-04), Marauder (03-04) REAR	P
0934.10	7837-D934	Z-Rated®	FORD: Expedition (03-06) LINCOLN: Navigator (03-06) FRONT	P
0935.10	7838-D935	Z-Rated®	FORD: Expedition (03-06) LINCOLN: Navigator (03-06) REAR	P
0945.20	7846-D945	Carbon Metallic®	JEEP: Grand Cherokee. (99-04) w/ Akebono Caliper and Warranty Replacement for 0790.xx FRONT	P
0949.10	7848-D949	Z-Rated®	FREIGHTLINER: 2500 Sprinter (02-05) 3500 Sprinter w/ Bosch Calipers (02-05) DODGE: 2500 Sprinter (02-04), 3500 Sprinter (02-05) MERCEDES: 2500 Sprinter (02-05) FRONT	P
0950.10	7849-D950	Z-Rated®	DODGE: 2500 Sprinter (04-05) 3500 Sprinter (04-05) MERCEDES: 2500 Sprinter w/ ATE Calipers (02-05) FRONT	P
0965.10	7864-D965	Z-Rated®	DODGE: Ram 1500 Mega Cab (07), Ram 2500 (03-07) Ram 3500 (03-07) FRONT	P
0965.20	7864-D965	Carbon Metallic®	DODGE: Ram 1500 Mega Cab (07), Ram 2500 (03-07) Ram 3500 (03-07) FRONT	DS
0966.20	7774-D966 7866-D966 7868-D966 7984-D1097	Carbon Metallic®	DODGE: Durango (03), Dodge Ram 1500 (03) FRONT	P
0974.20	7881-D974 7875-D974	Carbon Metallic®	CADILLAC: DTS w/ HD Brakes Option (06), Escalade w/2wd (03-06), EXT (03-06) CHEVY: Avalanche 1500 w/2wd (03-06) Tahoe w/2wd (03-06), Suburban 1500 (03-06), Express Van 1500 (03-07), Express Van 2500 (03-06), Express Van 3500 w/ SRW (03-06) GMC: Sierra 1500 (03) Savanna Van 1500 (03-08), Savanna 2500 (03-08), Savanna 3500 w/ SRW (03-05), Yukon w/2wd (03-06), Yukon XL 1500 w/2wd (03-04) REAR	P
0976.20	7877-D976	Carbon Metallic®	LEXUS: GX470 (03-08) TOYOTA: 4-Runner (03-08), Pre-Runner 2wd (05), Sequoia w/ Retrofit Caliper (01-02) Sequoia (03-07), Tacoma w/ 4wd (05-07), Tundra (03-06) FRONT	P
0989.20	#N/A	Carbon Metallic®	#N/A	P
1001.11	7942-D1001 7902-D1016 7919-D1016 7953-D1050	Z-Rated®	Acura: TL w/ Brembo Calipers (04-06) CADILLAC: CTS-V (04-07), STS HD inc STS-V (05-07) FORD: GT (05-06) F and R MITSUBISHI: Lancer Evo VIII (03-07) SUBARU: Imprezza WRX STI (04-07) VOLVO: S60 R (04-06) V70 R w/ AWD (04-06) NO WEAR SENSORS FRONT	P
1006.10	7909-D1006 8348-D1229	Z-Rated®	DODGE: 2500 Sprinter (04-06), MERCEDES: 2500 Sprinter w/ Teves Calipers & 16" whls (02-06) REAR	P
1010.10	7914-D1010	Z-Rated®	GMC: C4 (03-04), C5 (03-04), C6 (03-04) Models w/o DIH PB FRONT/REAR	P
1011.20	7915-D1011 7915-D1083	Carbon Metallic®	FORD: F-150 4x4 exc Heritage (04-08) LINCOLN: Mark LT (06-08) inc. holes for spring Fits all D1083 applications FRONT	P
1012.20	7916-D1012	Carbon Metallic®	FORD: F-150 4x4 (04-08) LINCOLN: Mark LT (06-08) REAR	P
1027.10	7931-D1027	Z-Rated®	Workhorse: W42 14000 gvw (05-07)	P
1032.10	7636-D1032	Z-Rated®	CHEVY: C55/C65, Dayton 4 Piston Caliper, 7001lb and up GVW (03-05) HINO: 268 (03-05), 338 (03-05) THOMAS: Bus (95-98) FRONT/REAR	P
1040.20	7944-D1040	Carbon Metallic®	FORD: Crown Victoria Police w/Long Whl Base (03-07), LINCOLN: Town Car exc Limo (05-07) MERCURY: Grand Marquis inc Police (05-08) REAR	P
1045.10	7948-D1045	Z-Rated®	FORD: E-150 Econoline (04-07) FRONT	P
1046.10	7949-D1046	Z-Rated®	FORD: E-150 Econoline (04-07) REAR	P
1053.10	7958-D1053 7831-D1270 7471-D592 7831-D592	Z-Rated®	CADILLAC: CTS-V (04-07), STS-V (06-09) CHEVY: Camaro w/ 6.2l (10) CHRYSLER: 300C SRT8 (05-09) DODGE: Challenger SRT8 (08-09), Charger SRT8 (06-09), Magnum SRT8 (06-08), Viper (96-02) FRONT JAGUAR: S-Type R (03-06), Super V8 (05), XJR w/ perf pkg. (98-05), XKR (00-06) JEEP: Grand Cherokee SRT8 (06-09) VOLVO: S60 R (04-07), S70 R (04-07) FRONT/REAR	P
1056.20	7962-D1056	Carbon Metallic®	CHRYSLER: 300 w/ RWD (08), 300C exc. HP inc. Touring and Limited (05-07) DODGE: Charger LD Brakes (06-07), Magnum w/ LD Brakes (06-07) FRONT	P
1057.20	8292-D1057	Carbon Metallic®	CHRYSLER: 300 w/ RWD (08), 300C w/ LD (05-08) DODGE: Charger w/ LD (06-07), Magnum w/ LD (06-07) REAR For use with 1056.20	P
1058.20	7965-D1058	Carbon Metallic®	CHRYSLER: 300 w/ AWD (08), 300C inc. HP exc. touring (05-08) DODGE: Charger HD Brakes (06-07), Magnum w/ HD Brakes (06-07) FRONT	P
1062.10	7968-D1062	Z-Rated®	HINO: 185 (03-08) FRONT	P
1064.10	7969-D1064	Z-Rated®	GMC: C4 (03-04), C5 (03-04), C6 (03-04) models w/ DIH PB REAR	P
1066.10	7972-D1066	Z-Rated®	FORD: F450 2/4 WD (05-08), F550 2/4 WD (05-08) FRONT/REAR	P
1067.10	7973-D1067	Z-Rated®	FORD: F250 Super Duty (08), F350 w/DRW (05-08), F350 w/ SRW (08) REAR	P
1068.10	7973-D1068	Z-Rated®	FORD: F250 2/4WD (05-07), F350 SRW (05-07) REAR	P
1069.10	7974-D1069	Z-Rated®	FORD: F250 All (05-08), F350 All (05-08) FRONT	P
1076.20	7981-D1076	Carbon Metallic®	BUICK: LeSabre w/ 16" whls (05) CHEVY: Impala Base/LS (05), Monte Carlo LS/LT (05) PONTIAC: Bonneville SLE (05) FRONT	P
1081.10	7986-D1081	Z-Rated®	FORD: Mustang Standard w/ 4whl disc (05-08), GT (06-07) FRONT	P
1082.10	#N/A	Z-Rated®	#N/A	P
1083.20	#N/A	Carbon Metallic®	#N/A	P
1084.20	#N/A	Carbon Metallic®	#N/A	P



Pad Part Numbering System

WWW.XX

FMSI /
Pad
Shape

Compound

Status Key

P = Current Production Part. SO = Special Order. Limited stock may exist.
 DS = Deplete Stock. Limited stock may exist. Prices subject to change without notice.
 Special order parts not in stock require a 6 week lead time and are subject to surcharges.
 10 - 20 sets \$83.56 / set; 21-50 sets \$41.78 / set; 51-99 sets \$16.72 / set; 100+ no surcharge.
 SO surcharge prices subject to applicable discounts.

AFTERMARKET BRAKE PADS PRICE SHEET				
PFC Part #	FMSI #	Pad / Material	Application	Status
1092.10	7997-D1092	Z-Rated®	CADILLAC: Escalade (07-08) CHEVY: Avalanche (07-08), Silverado 1500 w/ drum rear (07-08) Silverado 1500 ext. Cab/ Crew Cab (05-08), Suburban 1500 (07-08), Tahoe 2wd and 4wd inc Police (07-08) GMC: K1500 (05-06), Sierra 1500 ext and Crew Cab (05-08) Sierra Denali (07-08), Yukon (07-08), Yukon XL 1500 (07-08) FRONT	P
1096.20	7752-D1096 7865-D1096 7865-D1077	Carbon Metallic®	DODGE: Ram 1500 Mega Cab (06-07), Ram 2500 (01-07), Ram 3500 (01-07) REAR	P
1136.10	#N/A	Z-Rated®	#N/A	SO
1158.20	8268-D1158	Carbon Metallic®	FORD Explorer (06-10)	P
1159.20	8269-D1159	Carbon Metallic®	BUICK: Lucerne (06-08) CADILLAC: DTS w/ std brk. (06-07) CHEVY: Impala inc. Police (06-08), Monte Carlo inc. Police (06-07) FRONT	P
1194.20	8312-D1194	Carbon Metallic®	CADILLAC: Escalade (07-08) CHEVY: Avalanche (07-08), Silverado 1500 (07-08), Suburban 1500 (07-08), Tahoe (07-08) GMC: Sierra 1500 Crew and Ext Cab (07-08), Sierra Denali (07-08), Yukon (07-08), Yukon XL1500 (07-08) REAR	P
1268.10	8383-D1268	Z-Rated®	DODGE: Sprinter 3500 SRW/DRW (07) WORKHORSE: W42 Chassis 10000 lb GVW (05-07) FRONT	P
1278.20	8394-D1278	Carbon Metallic®	FORD: Expedition (07-08) LINCOLN: Navigator (07-08) FRONT	P
1279.20	8395-D1279	Carbon Metallic®	FORD: Expedition (07-08) LINCOLN: Navigator (07-08) REAR (NOT RELEASED YET)	P
1311.10	8426-D1311	Z-Rated®	Meritor EX225	P
1316.10	8430-D1316	Z-Rated®	DODGE: Sprinter 2500 (07) FRONT	P
1317.10	8431-D1317	Z-Rated®	DODGE: Sprinter 2500 (07), Sprinter 3500 SRW (07) REAR	P
1318.10	8432-D1318	Z-Rated®	DODGE: Sprinter 3500 DRW (07) REAR	P
1323.10	8435-D1323	Z-Rated®	Meritor EX225 H3 Transit	P
1326.20	8438-D1326	Carbon Metallic®	CHRYSLER: Town and Country Van (08-09), DODGE: Caravan (08) REAR	P
1327.20	8439-D1327	Carbon Metallic®	CHRYSLER: Town and Country Van (08-09), DODGE: Caravan (08) FRONT	P
1328.20	8440-D1328	Carbon Metallic®	FORD: E150 (08), E250 (08), E350 SD (08), E450 SD (08) FRONT	P
1329.20	8441-D1329	Carbon Metallic®	FORD: E150 (08), E250 (08), E350 SD (08) REAR	P
1330.20	8442-D1330	Carbon Metallic®	FORD: E450 SD (08) REAR	P
1333.10	7974-D1333	Z-Rated®	FORD: F250 w/ SRW (08) F350 w/ SRW (08) FRONT Mid Model year Change	P
1333.11	8782-D1333	Carbon Metallic®	2012 FORD TRUCK F-250/F350 Super Duty, F	P
1334.10	7973-D1334	Z-Rated®	FORD: F250 w/ SRW (08) F350 w/ SRW (08) REAR Mid Model year Change	P
1334.11	8652-D1334	Carbon Metallic®	2012-11 FORD TRUCK F-250/F350 Super Duty, R	P
1335.20	8446-D1335	Carbon Metallic®	Dodge Ram 4500, 2008-10	P
1337.10	8448-D1337	Z-Rated®	2011-2008 CADILLAC CTS,	P
1363.10	8472-D1363 8472-D1367	Z-Rated®	Chevrolet/GMC Silverado/Sieera, Tahoe/Yukon, 2008-2012	P
1369.10	8479-D1369	Z-Rated®	Bendix ADBX22	P
1392.20	7915-D1392	Carbon Metallic®	FORD: F150 (09) FRONT	P
1399.20	8507-D1399	Carbon Metallic®	2011-2009 DODGE TRUCK Ram 2500, F	P
1400.20	8508-D1400	Carbon Metallic®	2011-2009 DODGE TRUCK Ram 2500, R	P
1404.10	8512-D1404	Z-Rated®	CHEVY: Camaro w/ 3.6l engine (2010) FRONT	P
1411.20	8523-D1411	Carbon Metallic®	Chevrolet/GMC Express/Savana Rear (08-12); Silverado/Sierra 2500HD/3500HD Front (11-12)	P
1414.20	8528D1414	Carbon Metallic®	Ford F150, Expedition 2010-11	P
1611.20	8824-D1611 8855-D1611 8881-D1611	Carbon Metallic®	Ford Taurus SHO/Police Inteceptor, Flex, Explorer w/HD brakes (2013) Front	P
1612.20	8825-D1612	Carbon Metallic®	Ford Taurus SHO/Police Inteceptor, Flex, Explorer w/HD brakes (2013) Rear	P
8801.10		(82mm wide)	KNORR BREMSE: SN-7000 Caliper	
9115.10			Knorr Bremse: SB-5000 Caliper	
9174.10			MERITOR: C Duco Caliper	
9175.10			MERITOR: D Duco Caliper	
9177.10			Knorr Bremse: SB-6000 Caliper	
9178.10		9178.10 (84mm wide)	Knorr Bremse: SB-7000 Caliper	
9182.10	8515-D1407		MERITOR: D3 Caliper	
9183.10	8427-D1312		MERITOR: Air Disc HD caliper	
9186.10	8727-D1518		WABCO: PAN 17 Caliper	
9188.10	8323-D1203		KNORR BREMSE: Heavy Duty Caliper	
9189.10	8733-D1525		MERITOR: DX 195 Caliper	
9190.10	8425-D1310		LUCAS: Elsa 2 Caliper	
278.050.01			Chevy: Impala (00-05) REAR	
284.050.01			FORD: Crown Victoria (96-02), Lincoln Town Car (96-02) Mercury Grand Marquis (96-02) REAR	



Pad Part Numbering System

WWW.XX

FMSI /
Pad
Shape

Compound

Status Key

P = Current Production Part. SO = Special Order. Limited stock may exist.
 DS = Deplete Stock. Limited stock may exist. Prices subject to change without notice.
 Special order parts not in stock require a 6 week lead time and are subject to surcharges.
 10 - 20 sets \$83.56 / set; 21-50 sets \$41.78 / set; 51-99 sets \$16.72 / set; 100+ no surcharge.
 SO surcharge prices subject to applicable discounts.

AFTERMARKET BRAKE PADS PRICE SHEET				
PFC Part #	FMSI #	Pad / Material	Application	Status
287.056.01			FORD: Crown Victoria (03-08), Lincoln: Town Car (03-07) Mercury: Grand Marquis (03-07) Marauder (03-04) REAR	
291.066.01			FORD: Crown Victoria (95-97), Lincoln Town Car (95-97) Mercury Grand Marquis (95-97) FRONT	
297.043.87			Lincoln LS (01-03) Jaguar S-Type (01-02) - LEFT side hub and floating rotor assembly*** FRONT	
297.043.88			Lincoln LS (01-03) Jaguar S-Type (01-02) - RIGHT side hub and floating rotor assembly*** FRONT	
301.052.01			BUICK: Lucerne (06-08) CADILLAC: DTS w/ std brk (06-07) CHEVY: Impala (06-08), Monte Carlo (06-08) FRONT	
303.047.87			FORD: Expedition 4WD (99-02) - LEFT side hub and floating rotor assembly FRONT	
303.047.88			FORD: Expedition 4WD (99-02) - RIGHT side hub and floating rotor assembly FRONT	
303.052.01			Buick Le Sabre w/ 16" whl (00-05), Park Avenue (97-05), Riviera (97-99), Cadillac Deville (97-05) El Dorado (97-02), Seville (97-02), Chevy Camaro (98-02), Impala (00-05). Police (00-05), Monte Carlo (00-05) Olds Aurora (01-03), Intrigue w/ HD (98-99) Pontiac Bonneville w/ 17" whl (00-05), Firebird (98-02) FRONT	
305.045.01			FORD: Crown Victoria (03-08), Lincoln: Town Car (03-07) Mercury Grand Marquis (03-07) Marauder (03-04) FRONT	
311.052.87			BMW E36 M3 M Coupe (95-00) LEFT side hub and floating rotor assembly** (PFC Pad Set Only) FRONT	
311.052.88			BMW E36 M3 M Coupe (95-00) RIGHT side hub and floating rotor assembly** (PFC Pad Set Only) FRONT	
315.066.01			FORD: Crown Victoria (98-02), Lincoln Town Car (98-02) Mercury Grand Marquis (98-02) FRONT	
318.067.87			Porsche 911 c2 and c4 exc. C4-s (99-04) 997 Carrera (06) - LEFT side hub and floating rotor assembly*** FRONT	
318.067.88			Porsche 911 c2 and c4 exc. C4-s (99-04) 997 Carrera (06) - RIGHT side hub and floating rotor assembly*** FRONT	
318.094.01			FORD: E350 DRW (76-93), E350 DRW w/r ABS (94), F250 2wd w/ DRW (76-94) FRONT	
319.044.87			Mitsubishi: Evo VIII (03-06), Evo IX (06-07) - LEFT Side hub and floating rotor assembly FRONT	
319.044.88			Mitsubishi: Evo VIII (03-06), Evo IX (06-07) - RIGHT Side hub and floating rotor assembly FRONT	
322.052.87			BMW E46 M3 (01-04) LEFT side hub and floating rotor assembly (PFC Pad Set Only) FRONT	
322.052.88			BMW E46 M3 (01-04) RIGHT side hub and floating rotor assembly (PFC Pad Set Only) FRONT	
323.045.87			Corvette C5 all, C6 Std (97-06) - LEFT side hub and floating rotor assembly*** FRONT	
323.045.88			Corvette C5 all, C6 Std (97-06) - RIGHT side hub and floating rotor assembly*** FRONT	
326.053.87			Subaru: WRX Sti (04-06) LEFT side hub and floating rotor assembly FRONT	
326.053.88			Subaru: WRX Sti (04-06) RIGHT side hub and floating rotor assembly FRONT	
328.061.87			BMW: E46 M3 (01-04) LEFT side hub and floating rotor assembly (PFC Pad Set Only) FRONT	
328.061.88			BMW: E46 M3 (01-04) RIGHT side hub and floating rotor assembly (PFC Pad Set Only) FRONT	
329.143.75			FORD: E350 SRW 4x2 (95-06) - hub and floating rotor assembly w/ABS Ring FRONT	
329.201.75			FORD: E350 DRW 4x2 (99-01), E350 DRW (95-07), E450 SD (96-07) 4x2 - hub and floating rotor assembly w/ ABS Ring FRONT	
330.043.87			FORD: Mustang Cobra (99-01) - LEFT side hub and floating rotor assembly*** FRONT	
330.043.88			FORD: Mustang Cobra (99-01) - RIGHT side hub and floating rotor assembly*** FRONT	
331.094.75			FORD: Pickup F250 & F350 SUPERDUTY SRW 4X2 (99-04) - LEFT side hat and floating rotor assembly FRONT	
331.094.76			FORD: Pickup F250 & F350 SUPERDUTY SRW 4X2 (99-04) - RIGHT side hat and floating rotor assembly FRONT	
331.095.75			FORD: Pickup F250 & F350 SUPERDUTY 4X4 SRW & DRW 10mm HUB (99-00)- LEFT side hat and floating rotor assembly for trucks built before Mar 22, 1999 FRONT	
331.095.76			FORD: Pickup F250 & F350 SUPERDUTY 4X4 SRW & DRW 10mm HUB (99-00)- RIGHT side hat and floating rotor assembly for trucks built before Mar 22, 1999 FRONT	
331.099.75			FORD: Pickup F250 & F350 SUPERDUTY 4X4 SRW & DRW 13mm HUB (99-04), Excursion 2wd and 4wd (99-04) - LEFT side hat and floating rotor assembly FRONT	
331.099.76			FORD: Pickup F250 & F350 SUPERDUTY 4X4 SRW & DRW 13mm HUB (99-04), Excursion 2wd and 4wd (99-04) - RIGHT side hat and floating rotor assembly FRONT	
342.055.01			DODGE: Charger w/ HD Pkg inc Police (06-08) FRONT	
348.067.01			DODGE: Charger w/ HD Pkg inc Police (06-08) REAR	
350.068.87			Porsche: GT3 (04-05) LEFT side hub and floating rotor assembly Front Requires PFC pad 7819 Race Only	
350.068.88			Porsche: GT3 (04-05) RIGHT side hub and floating rotor assembly Front Requires PFC pad 7819 Race Only	
381.081.20			INTERNATIONAL: Retrofit rotor for ITE part number 3531662C2 FRONT/REAR	
381.082.20			INTERNATIONAL: Retrofit rotor for ITE part number 3531662C2 FRONT/REAR	
381.089.20			INTERNATIONAL: Retrofit rotor for ITE part number 3531661C2 FRONT/REAR - 5 Hole	
381.089.30			BLUEBIRD: Retrofit rotor for Meritor Part Number 23-123572 6 Hole FRONT/REAR	
381.113.20			INTERNATIONAL: Retrofit rotor for ITE part number 3531663C2 FRONT/REAR	



Pad Part Numbering System

WWW.XX



Status Key

P = Current Production Part. SO = Special Order. Limited stock may exist.
 DS = Deplete Stock. Limited stock may exist. Prices subject to change without notice.
 Special order parts not in stock require a 6 week lead time and are subject to surcharges.
 10 - 20 sets \$83.56 / set; 21-50 sets \$41.78 / set; 51-99 sets \$16.72 / set; 100+ no surcharge.
 SO surcharge prices subject to applicable discounts.

AFTERMARKET BRAKE PADS PRICE SHEET				
PFC Part #	FMSI #	Pad / Material	Application	Status
381.181.20			FREIGHTLINER: U-shaped Retrofit rotor REAR	
381.181.30			FREIGHTLINER: U-shaped Retrofit rotor narrow Bolt Hole REAR	
390.086.20			CHEVY: Kodaik C5500, C6500, C7500 Crew/Conv/Cutaway Cabs 4x2 C 2wd (03-09), T6500, T7500 LCF 4x2 T 4wd (04-09) GMC : Topkick C5500, C6500, C7500 Crew/Conv/Cutaway Cabs 4x2 C 2wd (03-09), T6500, T7500 LCF 4x2 T 4wd (04-09) ISUZU : C6, C7 (05-08)	
390.193.20			10 Hole, 7.602 height	



Status Key

P = Current Production Part. SO = Special Order. Limited Stock may exist.
 DS = Deplete Stock. Limited stock may exist.
 Prices subject to change without notice.

ACCESSORIES			
Part #	Size	Description	Status
DECALS			
025.0143	4"x9" IN	8-PACK 4"x9" PFC LOGO RACE CONTINGENCY DECAL	N/A
025.0144	4"x9" IN	8-PACK 4"x9" PFC LOGO RACE CONTINGENCY DECAL	N/A
025.0145	3"x7" IN	2-PACK 3"x7" BLACK / CLEAR LOGO DECAL	N/A
025.0146	3"x7" IN	8-PACK 3"x7" BLACK / CLEAR LOGO DECAL	N/A
025.0147	1.5"x3" IN	12-PACK 1.5"x3" WHITE / CLEAR LOGO DECAL	N/A
DOT 4 BRAKE FLUID			
025.0037	Bottle	RH665 Brake Fluid 500ml Bottle	P
025.0038	Case	RH665 Brake Fluid 12 x 500ml Bottle	P
MECHANICS GLOVES			
041.0001	S	Performance Friction Custom Mechanics Glove w/Reinforced Fingers - 1 pair	P
041.0002	M	Performance Friction Custom Mechanics Glove w/Reinforced Fingers - 1 pair	P
041.0003	L	Performance Friction Custom Mechanics Glove w/Reinforced Fingers - 1 pair	P
041.0004	XL	Performance Friction Custom Mechanics Glove w/Reinforced Fingers - 1 pair	P
041.0005	XXL	Performance Friction Custom Mechanics Glove w/Reinforced Fingers - 1 pair	P
MISCELLANEOUS			
032.0007		CALIPER TEMP. LABELS 121°C-280°C (Book of 10 Labels)	P
025.0053		Hardware Clip for 0786.xx	N/A
1328.0001		Hardware Clip for 1328.20	N/A
1329.0001		Hardware Clip for 1329.20/1330.20	N/A



Performance Friction RH665 DOT 4 Racing Brake Fluid

...NOT THE SAME AS OTHER RACING BRAKE FLUIDS

RH665 is not the same as other Racing Brake Fluids, it has been specially formulated for racing applications, where braking systems operate at very high temperatures. It is a complex mixture of Glycol Ether Borate Esters and Polyalkylene Glycol Ethers together with advanced corrosion inhibitors, antioxidants and other modifiers. The result is an exceptional brake fluid with not only a very high boiling point but which also conforms to FMVSS 116 DOT 4 and maintains its class leading viscosity, lubricity and compressibility performance at extreme temperatures to ensure braking system reliability and performance and a Rock Hard pedal.

RH665 has the highest GUARANTEED minimum Dry Boiling Point (ERBP) of any DOT 4 Brake Fluid, 325°C, to guard against vapor lock and give a Rock Hard pedal even under extreme racing conditions. Many manufacturers quote "Typical" boiling points – do not be deceived, this is not the minimum specification that you could receive, it can be the result of a test on a single sample. "Typical" values for RH665 are invariably higher than 325°C. A similar situation applies to "Wet" Boiling Point, RH665 is GUARANTEED to be above 195°C "typical" values are much higher and at least the equal of other leading brands.

Boiling Point is of course not the whole story, with Brake Fluid it is essential to have the correct balance of properties to get a good overall result. Low Viscosity is very important to ensure a good bleed, low Compressibility is essential for a firm pedal and Lubricity is vitally important for efficiency, pedal return and life of the brake system.
BEWARE: Many Racing Brake Fluids do not meet the

Viscosity requirements of DOT4.

RH665 Racing Brake Fluid conforms to and exceeds all aspects of the U.S. FMVSS 116 DOT 4 specification. This means that it has been tested and is compatible with all the rubbers (SBR, EPDM etc) and metals commonly used in brake systems and will not damage them. It also means, of course, that RH665 is entirely street legal. *BEWARE: Many Racing Brake Fluids on the market do not conform to FMVSS specifications and therefore cannot be guaranteed not to damage your brake system.*

PFC RH665 DOT 4 RACING BRAKE FLUID	
Type	Synthetic
Specification	FMVSS 116 DOT 4
ERBP Dry Boiling Point	617°F*
ERBP Wet Boiling Point	383°F*
Viscosity at 100°C	2.6 cSt
Viscosity at - 40°C	1475 cSt
pH	7.12
Density at 20°C	1.073
Compressibility at 100°C	1.01 x 10 ⁻³ MPa ⁻¹
*Guaranteed Minimum Specification	

Single 500ml bottle
Case of 12 x 500ml bottles

Part Number 025.0037
Part Number 025.0038

RH665 can safely be mixed with other DOT 4 Brake Fluids however this will degrade its exceptional properties.
RH665 is not suitable for use in contact with Magnesium components or in mineral oil based systems.

For best results bleed the system with fresh fluid before each event and when the brakes have been excessively hot and/or the conditions are especially humid. Always follow the vehicle manufacturers recommendations.



Performance Friction Corp.
83 Carbon Metallic Hwy
Clover, SC 29710 USA
Tel: 800-521-8874
Fax: 803-222-8134

Performance Friction UK
Carbon Metallic House
Unit 4 Compton Park
Wildmere Road Industrial Estate
Banbury, Oxon OX16 3LU
Tel: +44 (0) 1295 221020
Fax: +44 (0) 1295 279711

**More
Championships
than any other™**