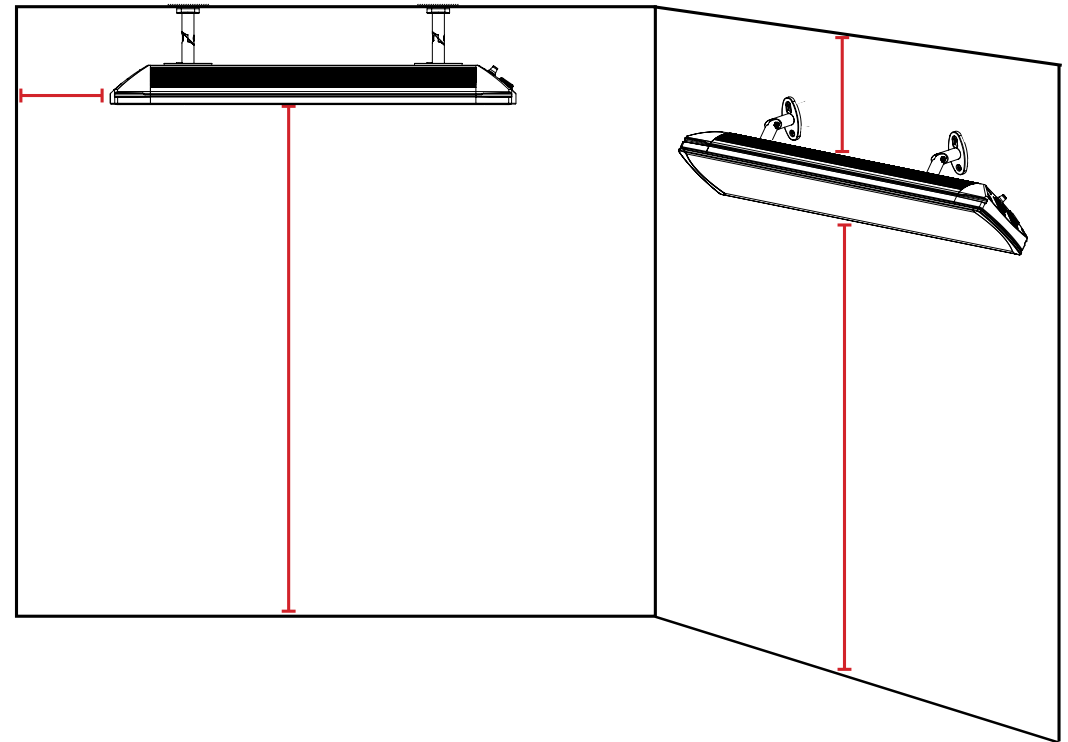


HEATSCOPE®

HEATSCOPE infrared heaters Recommended installation distances

- HEATSCOPE SPOT power heaters
- HEATSCOPE VISION ambient heaters
- HEATSCOPE ZERO dark heaters



HEATSCOPE SPOT power heaters

Recommended installation distances

The HEATSCOPE SPOT features an omnipolar „ON/OFF“ switch. You can control the radiant heater manually using a selector switch on the unit itself or using an IR remote control which comes supplied (depending on the model). The unit must be connected to a residual current circuit breaker and a fuse.

It is recommended that you only install the unit in indoor or outdoor areas that are well protected from any weather influences from above like rain and dust. The heater is protected from lateral spray water, but is has to be covered with a roof or a similar canopy upwards.

The radiant heater must be installed at a height of at least 180 cm and at a distance of at least 40 cm from each adjacent wall. The distance between the radiant heater and the rear surface must be at least 10 cm (this distance can be achieved using the supplied fixing accessories). Other protective measures may need to be taken in accordance with local fire safety regulations, e.g. for installation on combustible surfaces.

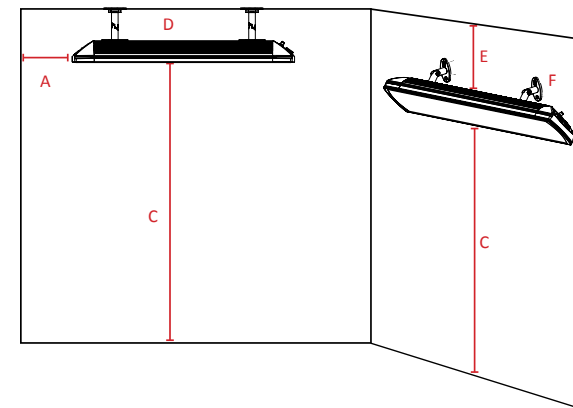
The radiant heater must not be installed directly below a power socket. The sides of the HEATSCOPE must be at least 10 cm from any power sockets.

All cables must be positioned so that they cannot come into contact with the radiant heater at any time.

The dimensions given are minimum values and may deviate from the local building and fire safety regulations. The latter must be complied with at all times.

The fixing surfaces shown must comply at least with fire protection class A2. The HEATSCOPE complies with IP 44 protection class requirements (dust and splash-proof).

Required minimum distances from combustible fixing surfaces:



- A min. 40 cm
- B min. 50 cm
- C min. 180 cm
- D min. 17 cm
(can be achieved using the supplied fixing accessories)
- E min. 20 cm (with heating angle < 45°)
- F min. 10 cm
(can be achieved using the supplied fixing accessories)

HEATSCOPE VISION ambient heaters

Recommended installation distances

The HEATSCOPE SPOT features an omnipolar „ON/OFF“ switch. You can control the radiant heater manually using a selector switch on the unit itself or using an IR remote control which comes supplied (depending on the model). The unit must be connected to a residual current circuit breaker and a fuse.

It is recommended that you only install the unit in indoor or outdoor areas that are well protected from any weather influences from above like rain and dust. The heater is protected from lateral spray water, but is has to be covered with a roof or a similar canopy upwards.

The radiant heater must be installed at a height of at least 180 cm and at a distance of at least 40 cm from each adjacent wall. The distance between the radiant heater and the rear surface must be at least 10 cm (this distance can be achieved using the supplied fixing accessories). Other protective measures may need to be taken in accordance with local fire safety regulations, e.g. for installation on combustible surfaces.

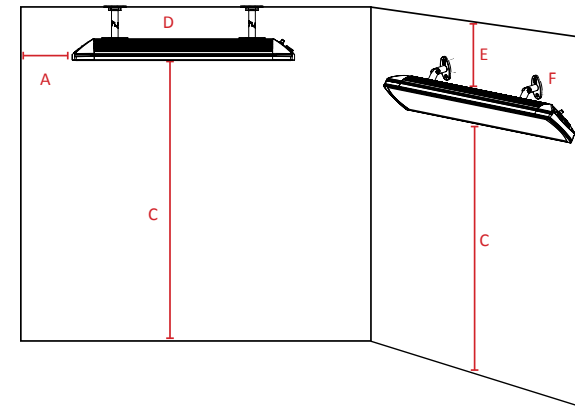
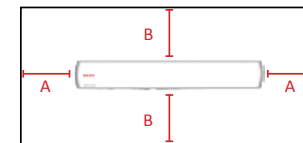
The radiant heater must not be installed directly below a power socket. The sides of the HEATSCOPE must be at least 10 cm from any power sockets.

All cables must be positioned so that they cannot come into contact with the radiant heater at any time.

The dimensions given are minimum values and may deviate from the local building and fire safety regulations. The latter must be complied with at all times.

The fixing surfaces shown must comply at least with fire protection class A2. The HEATSCOPE complies with IP 44 protection class requirements (dust and splash-proof).

Required minimum distances from combustible fixing surfaces:



- A min. 40 cm
- B min. 50 cm
- C min. 180 cm
- D min. 17 cm
(can be achieved using the supplied fixing accessories)
- E min. 20 cm (with heating angle < 45°)
- F min. 10 cm
(can be achieved using the supplied fixing accessories)

HEATSCOPE ZERO dark heaters

Recommended installation distances

The HEATSCOPE ZERO must be fitted with an all-pole ON/OFF switch (not supplied).

Depending on the installation configuration, the HEATSCOPE ZERO can reach a surface temperature of up to 360°C under optimum conditions. Wind, humidity, ambient temperature as well as the installation configuration itself can influence the surface temperature significantly.

Fit the unit so that it is well protected from wind and weather. The surface of the unit cools down significantly as a result of wind, which affects the perceived body temperature decisively.

Fit the unit in well covered interior or exterior areas only.

HEATSCOPE ZERO must never be mounted vertically under any circumstances.

The radiant heater must have a minimum lateral clearance of 30 cm to each adjacent wall, at least 80 cm to each surface on the front and at least 6 cm to the rear mounting surface. Other relevant protection measures have to be met here in accordance with local fire safety regulations.

The heater must not be located immediately below a socket outlet and must also have at least a minimum lateral clearance of 10 cm to all socket outlets.

All cables must be routed so that they cannot come into contact with the heater at any time.

To operate your heater effectively and for the purpose of saving energy in general, make sure to only use it at an ambient temperature of between 10°C and 20°C.

Please note the following diagram. The diagram shows the ceiling and wall mounting of the HEATSCOPE ZERO including all minimum clearances to be observed. The prescribed minimum mounting height of the HEATSCOPE ZERO radiant heater is 210 cm.

The dimensions given are minimum values and may differ from the local building and fire regulations. These must be observed and complied with in any case.

The illustrated installation surfaces must comply at least with fire protection class A2.

Please note: The HEATSCOPE® ZERO fulfills IP protection class 4 (IP-X4) for ceiling mounting and IP protection class 0 (IP-X0) for wall mounting.

Vorgeschriebene Abstände zu brennbaren Montageflächen:

