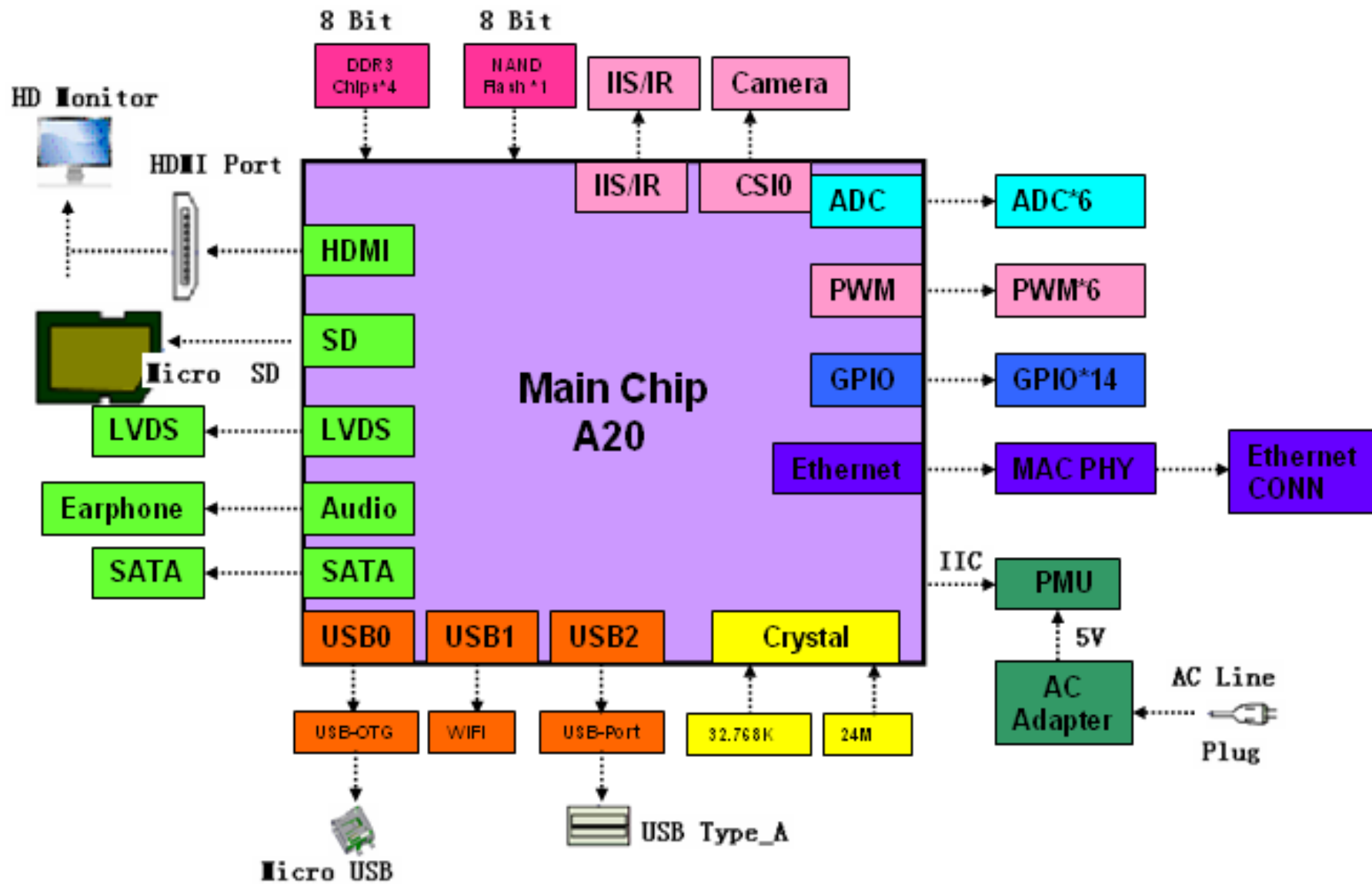


Rev	Date	Description	Drawn
V01	2014-06-13	First release	
V02	2014-07-23	Modify ETH RXCLK net	

Title		pcDuino NANO	
Size	Document Number	Rev	
A4	COVER	V02	
Date:	Wednesday, July 23, 2014	Sheet	1 of 16



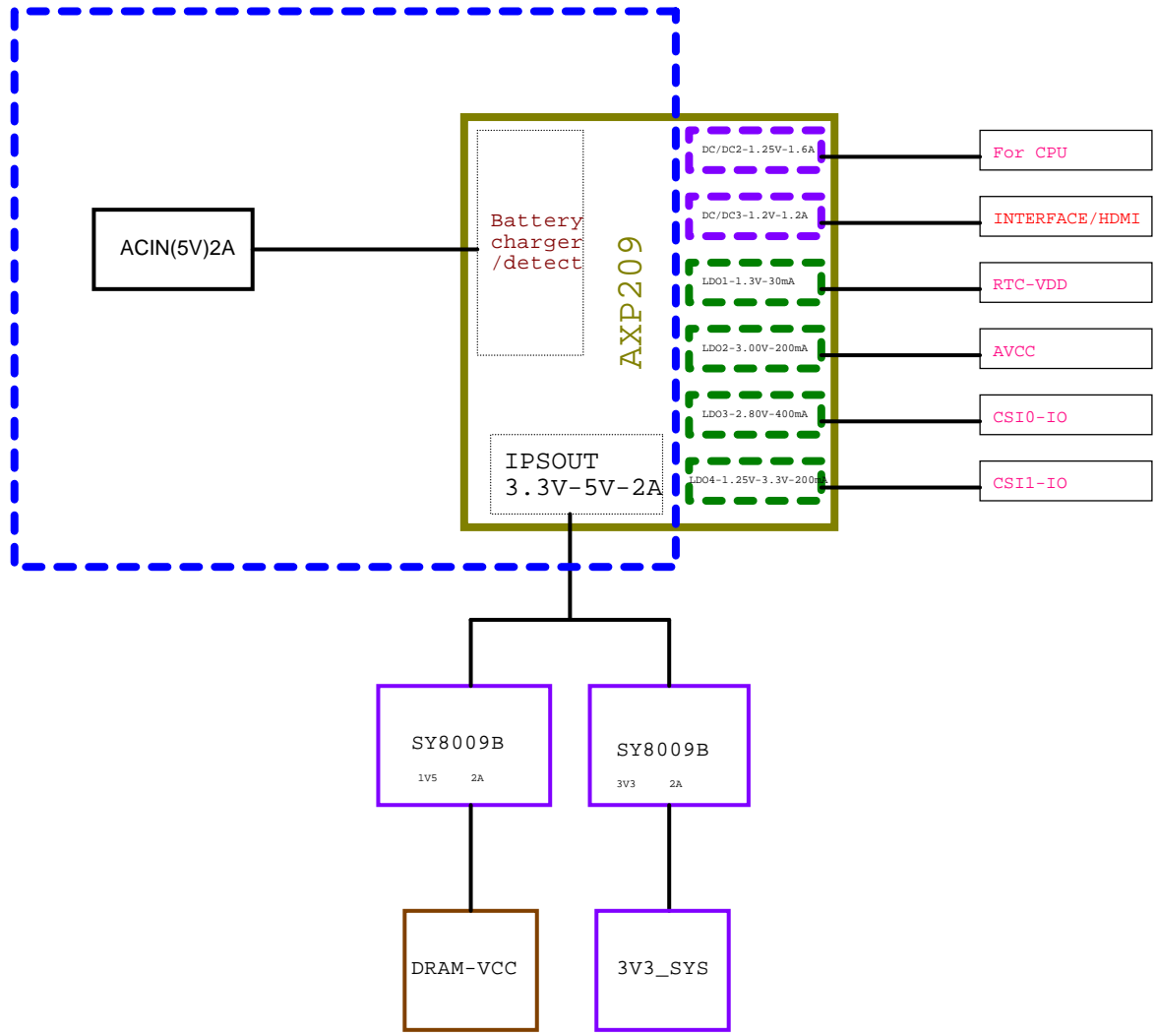
Title		
pcDuino NANO		
Size	Document Number	Rev
A4	BLOCK	V02
Date:	Wednesday, July 23, 2014	Sheet 2 of 16

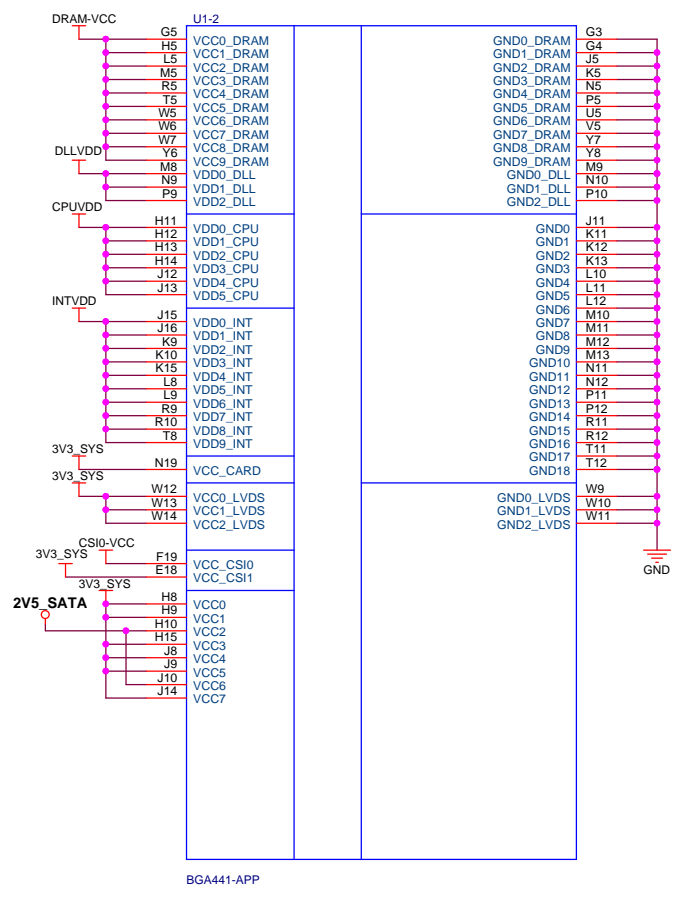
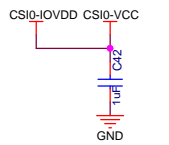
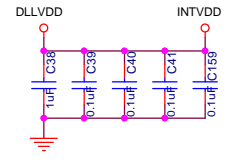
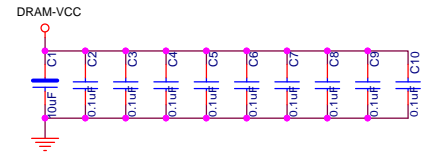
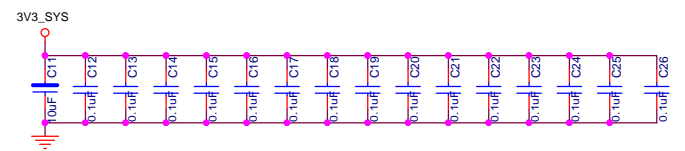
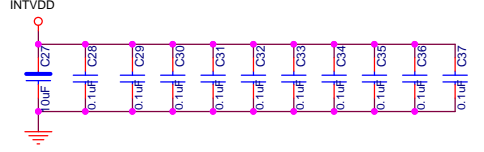
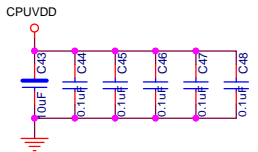
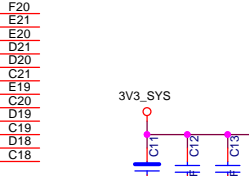
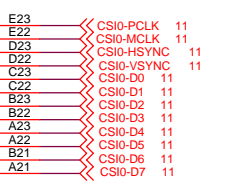
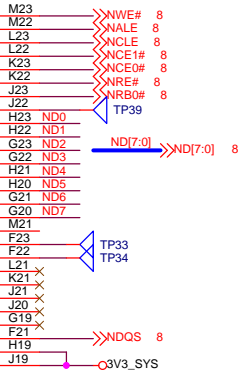
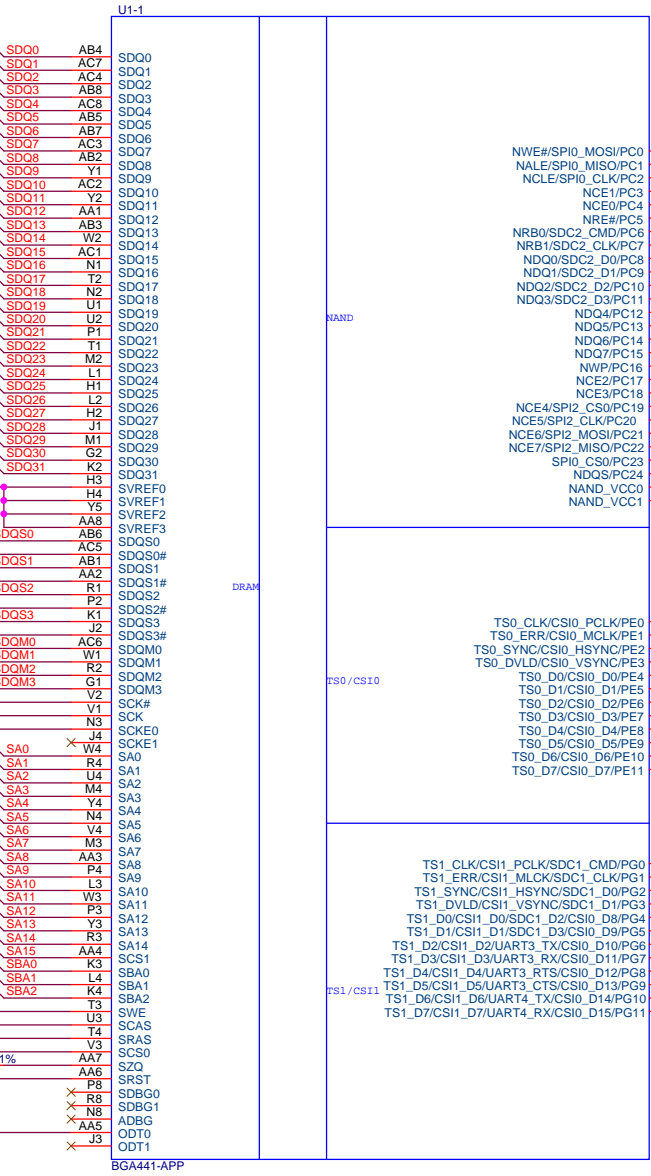
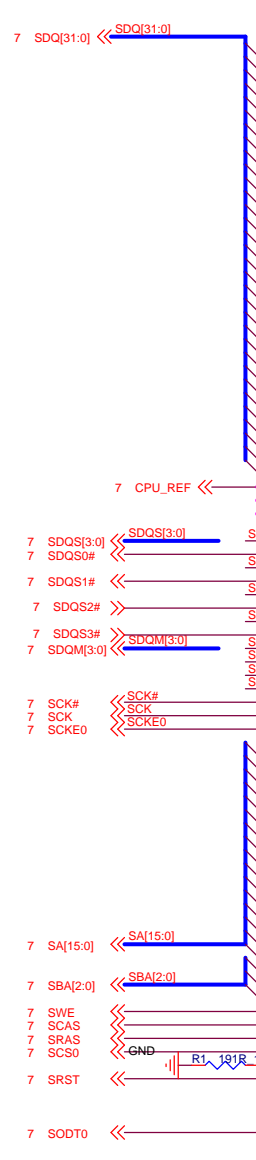
Function	GPIO List	Pin Name	Direction	Net Name	Activ	Default	Description
SPI1	ERXD0/SPI1_CLK/PA1	E5	0	SPI1_CLK			SPI1_LINK
	ERXD1/SPI1_MOSI/PA2	D6	0	SPI1_MOSI			
	ERXD0/SPI1_MISO/PA3	E6	1	SPI1_MISO			
SPI0	SPI00_CS0/UART5_TX/EINT22/PI10	C17	0	SPI0_CS			SPI0_LINK/PWM
	SPI00_CLK/UART5_RX/EINT23/PI11	D17	0	SPI0_CLK			SPI01_LINK
	SPI00_MOSI/UART6_TX/EINT24/PI12	C16	0	SPI0_MOSI			SPI0_LINK/PWM
	SPI00_MISO/UART6_RX/EINT25/PI13	D16	1	SPI0_MISO			SPI0_LINK
IIC0	TW10_SCK/PB1	A15	0	PMU-SCK			PMU_IIC_LINK
	TW10_SDA/PB1	B15	I/O	PMU-SDA			
IIC1	TW11_SCK/PB18	A8	0	TW11-SCK			IIC_LINK
	TW11_SDA/PB19	B8	I/O	TW11-SDA			
IIC2	TW12_SCK/PB20	C8	0	TW12-SCK			CONN_IIC_LINK
	TW12_SDA/PB21	C7	I/O	TW12-SDA			
IIS	I2S_MCLK/AC97_MCLK/PB5	B13	0	IIS_MCLK			I2S_LINK
	I2S_ECLK/AC97_ECLK/PB6	A12	0	IIS_ECLK			
	I2S_LRCLK/AC97_SYNC/PB7	B12	0	IIS_LRCLK			
	I2S_D00/AC97_D0/PB8	A11	0	IIS_D00			
	I2S_D02/PB10	C11	0	IIS_D02			
	I2S_D03/PB11	C10	0	IIS_D03			
UART0	I2S_DI/AC97_DI/SPDIF_DI/PB12	C9	1	IIS_DI			UART0_LINK For debug
	UART0_TX/IR1_TX/PB22	A7	0	UART0-TX			
	UART0_RX/IR1_RX/PB23	B7	1	UART0-RX			
	JTAG_MSO/SPI2_CS0/PB14	A10	0	JTAG-MS			
JTAG	JTAG_CK0/SPI2_CLK/PB15	B10	0	JTAG-CK			JTAG_LINK
	JTAG_D00/SPI2_MOSI/PB16	A9	0	JTAG-DO			
	JTAG_D10/SPI2_MISO/PB17	B9	1	JTAG-DI			
	JTAGSEL	T10	1	JTAG-SEL			
SD0	NMH	F5	0	NMHW			PMU_INT
	SDC0_DI/JAT9_MSI/PF0	M19	I/O	SD0-D1			
	SDC0_D0/JAT9_PFI/PF1	M19	I/O	SD0-D0			SD_CARD
	SDC0_CLK/UART0_TX/PF2	L20	0	SD0-CLK			
	SDC0_CMD/JTAG_D01/PF3	L19	0	SD0-CMD			
	SDC0_D3/UART0_RX/PF4	K20	I/O	SD0-D3			
	SDC0_D2/JAT9_CK1/PF5	K19	I/O	SD0-D2			
UART2	EINT30/SPI1_MOSI/UART2_TX/PI18	E15	0	UART2_TX			UART2_LINK/GPIO
	EINT30/SPI1_MISO/UART2_RX/PI19	D14	1	UART2_RX			
	I2S_D01/PB9	C12	1	USB0-DRV	H	H	

SATA	TS0_D3/CS10_D3/PE7	B22	1	CS10-D3			
	TS0_D4/CS10_D4/PE8	A23	1	CS10-D4			
	TS0_D5/CS10_D5/PE9	A22	1	CS10-D5			
	TS0_D6/CS10_D6/PE10	B21	1	CS10-D6			
	TS0_D7/CS10_D7/PE11	A21	1	CS10-D7			
	TXP_SATA	T20	0	SATA_TXP			
	TXM_SATA	T21	0	SATA_TXM			SATA_LINK
	RXP_SATA	U21	0	SATA_RXP			
	RXM_SATA	U20	0	SATA_RXM			
	LVDS	LCD0_D10/LVDS1_VF0/PD10	V15	0	LVDS_TA+		
LCD0_D11/LVDS1_VH0/PD11		AA15	0	LVDS_TA-			
LCD0_D12/LVDS1_VF1/PD12		Y14	0	LVDS_TB+			
LCD0_D13/LVDS1_VH1/PD13		AA14	0	LVDS_TB-			
LCD0_D14/LVDS1_VF2/PD14		Y13	0	LVDS_TC+			
LCD0_D15/LVDS1_VH2/PD15		AA13	0	LVDS_TC-			
LCD0_D16/LVDS1_VFC/PD16		Y12	0	LVDS_TCLK+			
LCD0_D17/LVDS1_VHC/PD17		AA12	0	LVDS_TCLK-			
LCD0_D18/LVDS1_VF3/PD18		Y11	0	LVDS_TD+			
LCD0_D19/LVDS1_VH3/PD19		AA11	0	LVDS_TD-			
GPIO	LCD1_D0/ATAD0/UART3_TX/EINT0/CS11_D0/PH0	A6	1	PH_DET	H	L	PH_DET
	LCD1_D2/ATAD2/UART3_RX/EINT3/CS11_D2/PH2	C6	0	SATA_PWR_EN	H	L	SATA_PWR_EN
	LCD1_D7/ATAD3/UART5_RX/EINT7/CS11_D7/PH7	B4	I/O	GPIO2			GPIO
	LCD1_D8/ATAD4/EINT8/CS11_D8/PH8	C4	I/O	GPIO3			GPIO
	LCD1_D9/ATAD5/EINT9/CS11_D9/PH9	D4	I/O	GPIO4			GPIO
	LCD1_D10/ATAD6/EINT10/CS11_D10/PH10	A3	I/O	GPIO5			GPIO
	LCD1_D11/ATAD7/EINT11/CS11_D11/PH11	B3	I/O	GPIO6			GPIO
	LCD1_D12/ATAD8/EINT12/CS11_D12/PH12	C3	I/O	GPIO7			GPIO
	LCD1_D13/ATAD9/EINT13/CS11_D13/PH13	A2	I/O	GPIO8			GPIO
	LCD1_D14/ATAD10/EINT14/CS11_D14/PH14	B2	I/O	GPIO9			GPIO
	LCD1_D15/ATAD11/EINT15/CS11_D15/PH15	A1	0	TX_LED	L	H	TX_LED
	LCD1_D16/ATAD12/EINT16/CS11_D16/PH16	B1	0	RX_LED	L	H	RX_LED
	LCD1_D17/ATAD13/EINT17/CS11_D16/PH17	C1	1	Key_Back	L	H	Key_Back
	LCD1_D18/ATAD14/EINT18/CS11_D16/PH18	C2	1	Key_Home	L	H	Key_Home
	LCD1_D19/ATAD15/EINT19/CS11_D16/PH19	D1	1	Key_Menu	L	H	Key_Menu
LCD1_HSVMC/ATAI0W/SDC1_D2/CS11_HSVMC/PH26	F3	0	CS10-PWR-EN	H	H	CS10-PWR-EN	
LCD1_HSVMC/ATAI0W/SDC1_D3/CS11_HSVMC/PH27	F4	0	CS10-RESET#	L	H	CS10-RESET#	

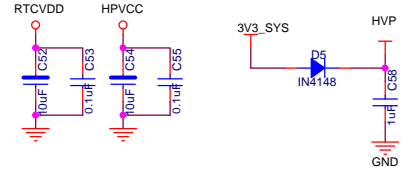
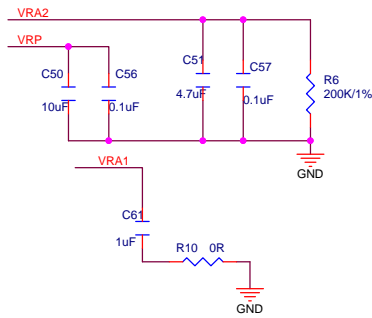
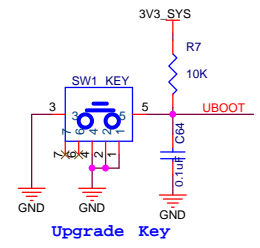
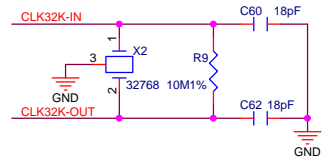
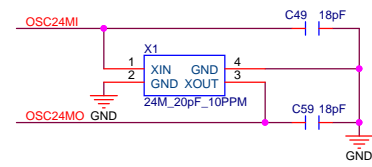
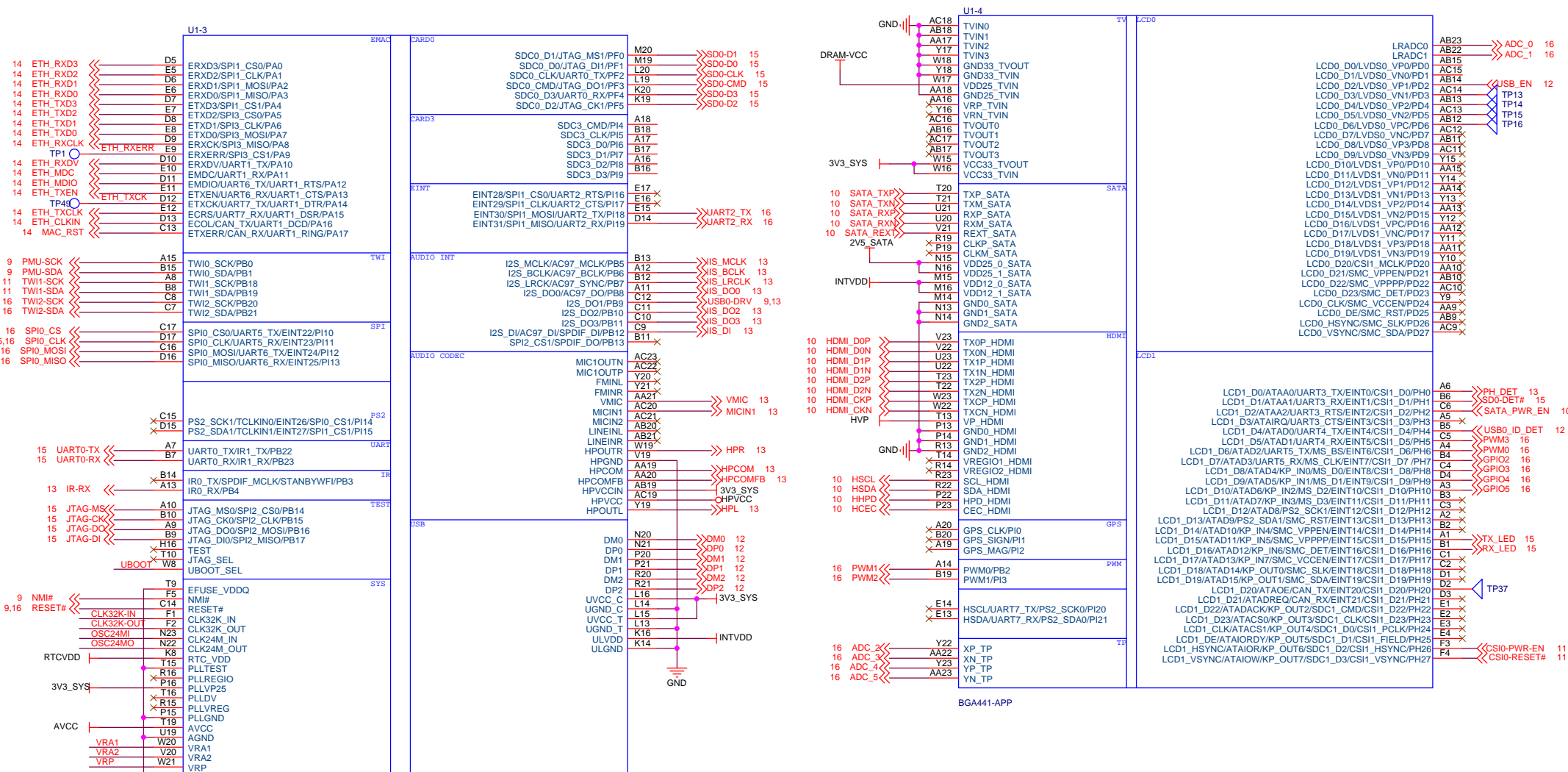
USB0	DM0	H20	I/O	DM0			OTG_USB	
	DP0	H21	I/O	DP0				
USB1	DM1	P20	I/O	DM1			USB_WIFI	
	DP1	P21	I/O	DP1				
USB2	DM2	R20	I/O	DM2			USB_Type_A	
	DP2	R21	I/O	DP2				
HDMI	SCL_HDMI	R23	0	HSCL			HDMI_DDC	
	SDA_HDMI	R22	I/O	HSDA				
	HFD_HDMI	P22	1	HHPD	H	L		HDMI_HFD
	CEC_HDMI	P23	1	HCEC	H	L		HDMI_CEC
PWM	PWM0/PB2	A14	0	PWM1			PWM	
	PWM1/PI3	B19	0	PWM2				
ADC	XP_TP	Y22	1	ADC_2			6_CHANNEL_ADC	
	XN_TP	AA22	1	ADC_3				
	YP_TP	Y23	1	ADC_4				
	YN_TP	AA23	1	ADC_5				
	LRADC0	AB23	1	ADC_0				
	LRADC1	AB22	1	ADC_1				
PWM	LCD1_D1/ATAA1/UART3_RX/EINT1/CS11_D1/PH1	B6	1	SD0-DET#	L	H	SD_CARD_DET	
	LCD4_D1/ATAD0/UART4_TX/EINT4/CS11_D4/PH4	B5	1	USB0_ID_DET	L	H	OTG_USB_DET	
	LCD5_D1/ATAD1/UART4_RX/EINT5/CS11_D5/PH5	C5	I/O	PWM3			PWM	
	LCD6_D1/ATAD2/UART5_TX/EINT6/CS11_D6/PH6	A4	I/O	PWM0			PWM	
Earphone	VMIC	AA21	1	VMIC			HP_LINK	
	MICIN1	AC20	1	MICIN1				
	HPOUTR	W19	0	HPR				
	HPCOM	AA19	1	HPCOM				
	HPCOMFB	AA20	1	HPCOMFB				
IR	HPOUTL	Y19	0	HPL			IR	
	IR0_RX/PB4	A13	1	IR-RX		H		
Camera	TS0_CLK/CS10_PCLK/PE0	E23	1	CS10-PCLK			CSI_LINK	
	TS0_ERR/CS10_MCLK/PE1	E22	1	CS10-MCLK				
	TS0_SYNC/CS10_HSVMC/PE2	D23	1	CS10-HSYNC				
	TS0_DVLD/CS10_VSYNC/PE3	D22	1	CS10-VSYNC				
	TS0_D0/CS10_D0/PE4	C23	1	CS10-D0				
	TS0_D1/CS10_D1/PE5	C22	1	CS10-D1				
	TS0_D2/CS10_D2/PE6	B23	1	CS10-D2				

Title		pcDuino NANO	
Size	Document Number	Rev	
A4	IO_List	V02	
Date:	Wednesday, July 23, 2014	Sheet	3 of 16
2		1	

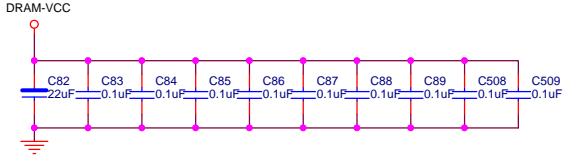
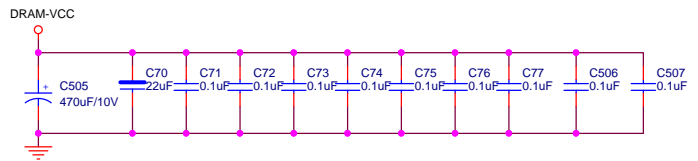
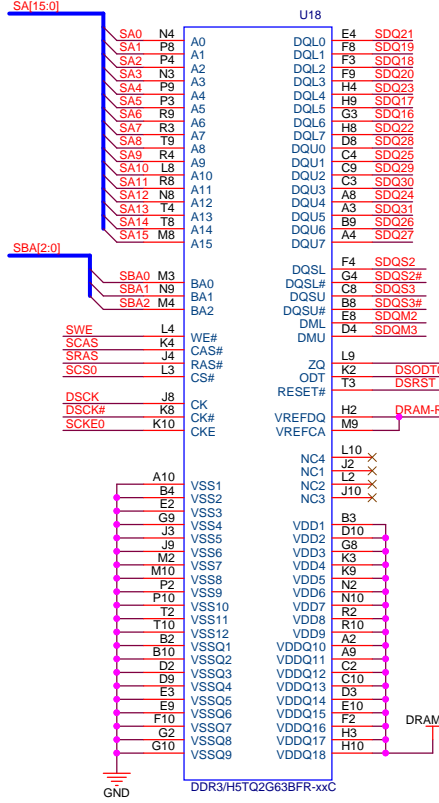
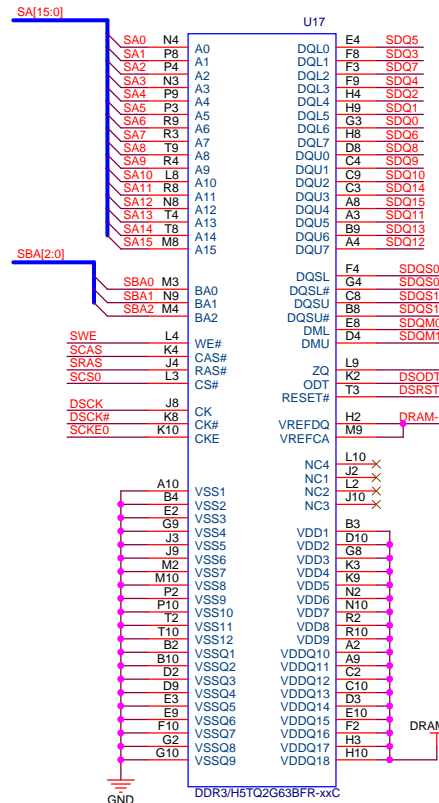
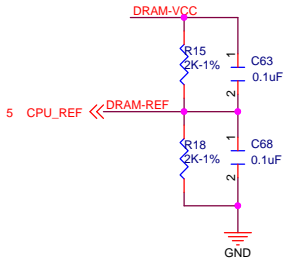
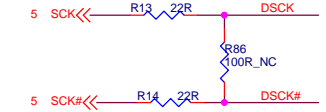
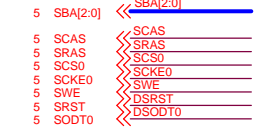
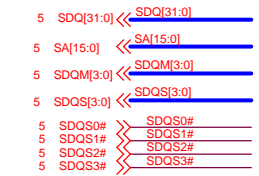


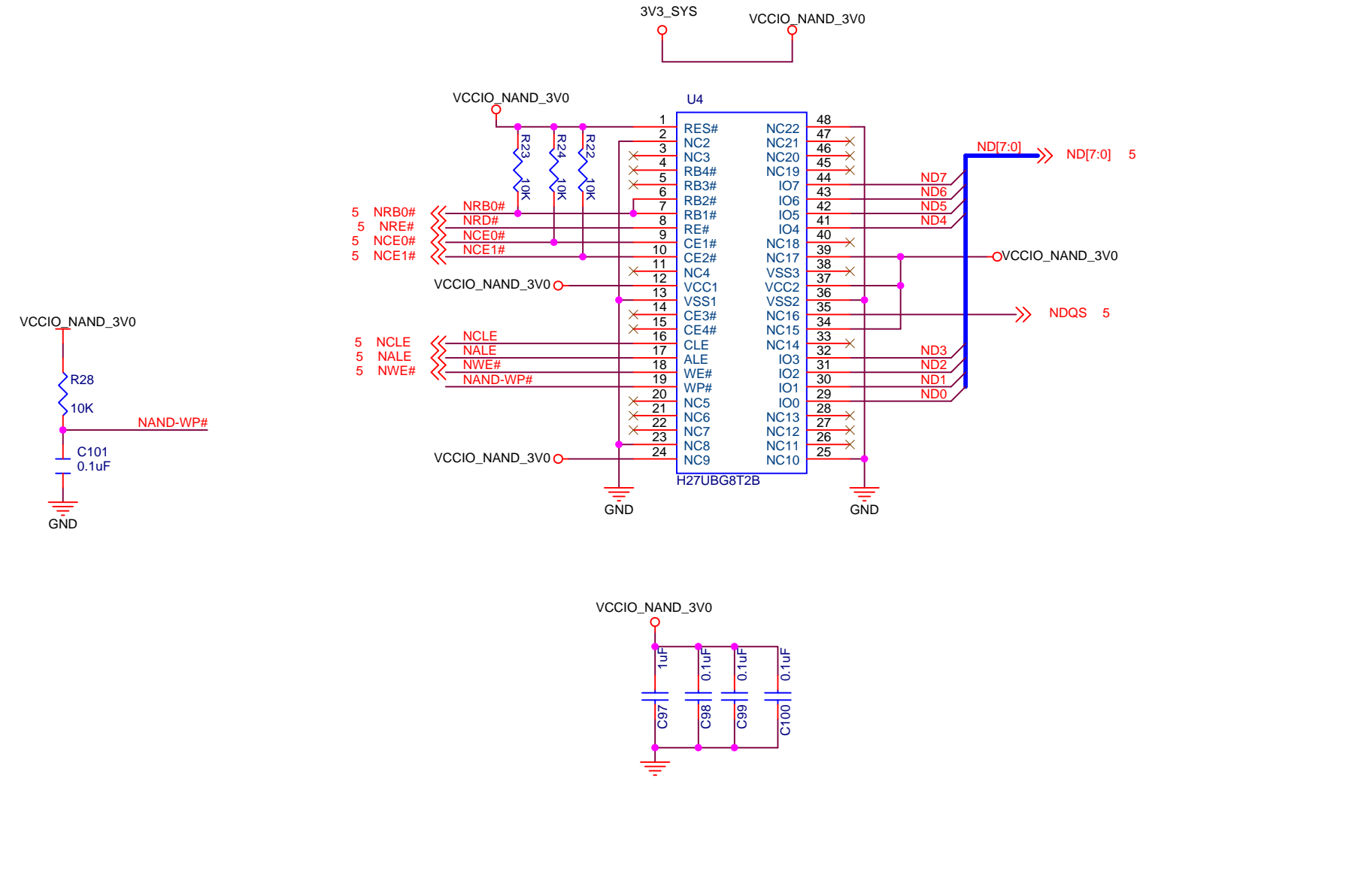


Title		pcDuino NANO	
Size	A3	Document Number	CPU1
Date:	Wednesday, July 23, 2014	Sheet	5 of 16
		Rev	V02

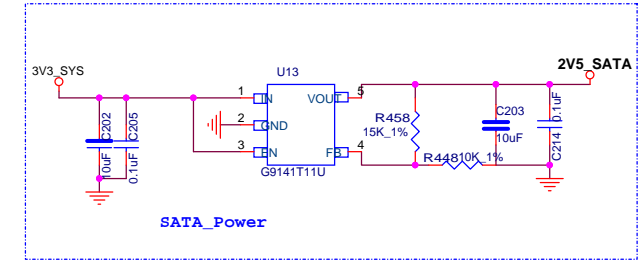
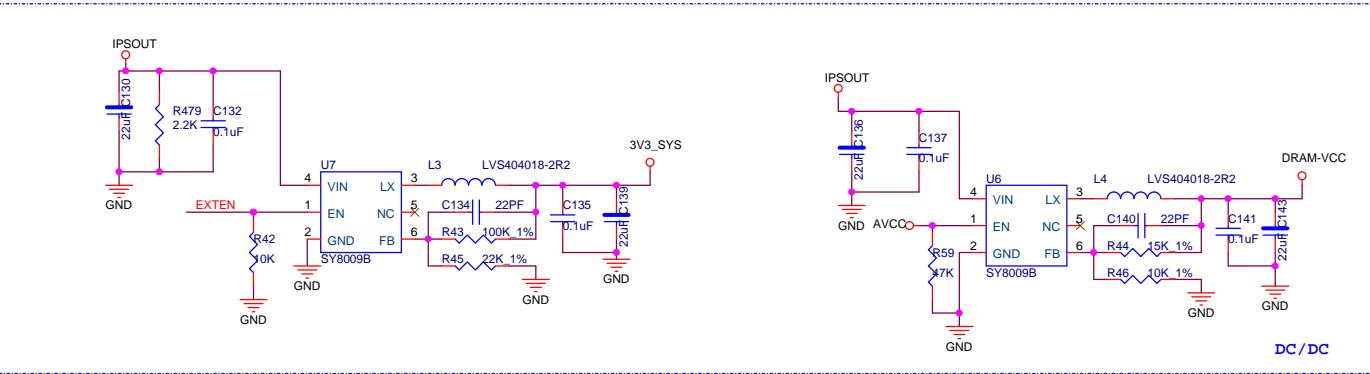
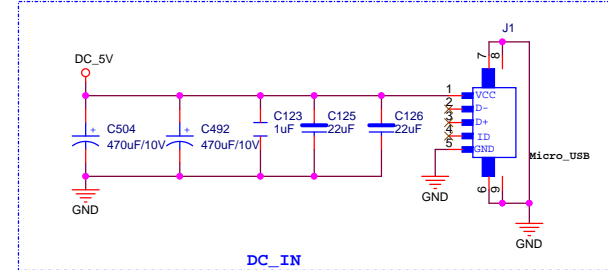
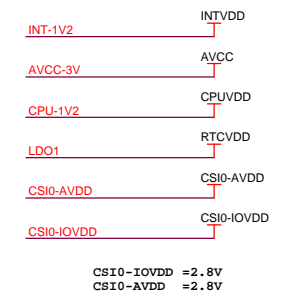
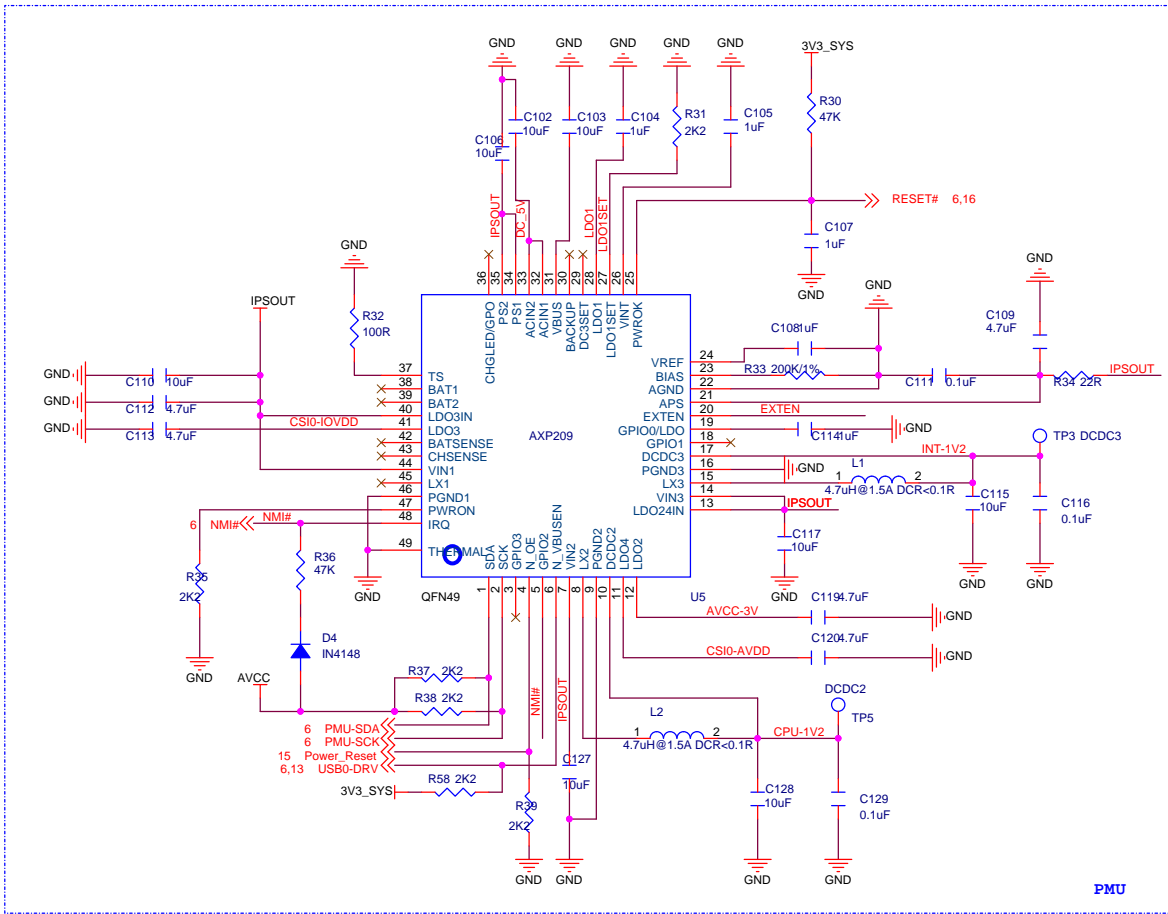


Title			pcDuino NANO
Size	A3	Document Number	CPU2
Date:	Wednesday, July 23, 2014	Sheet	6 of 16
		Rev	V02

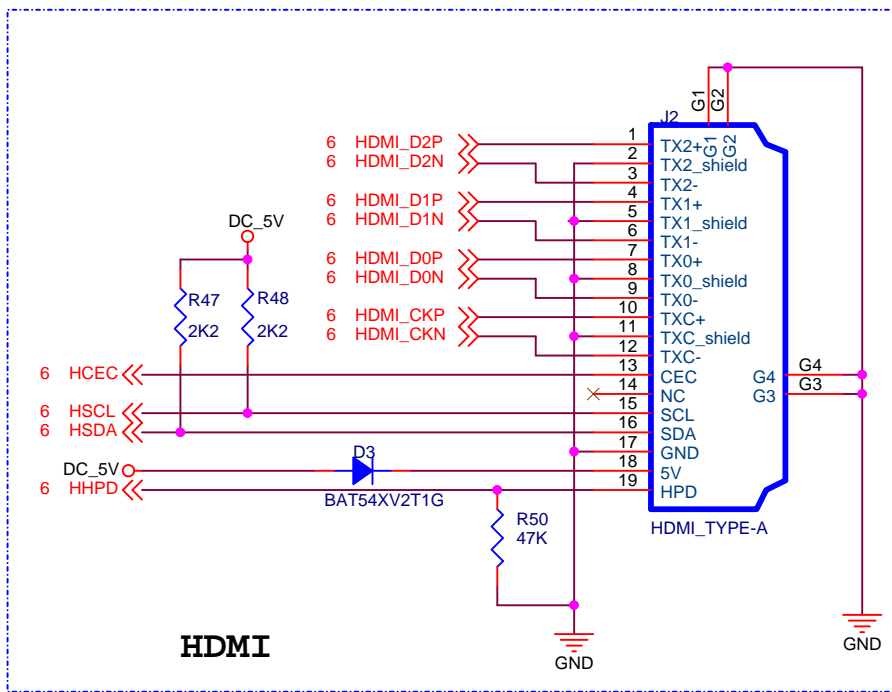




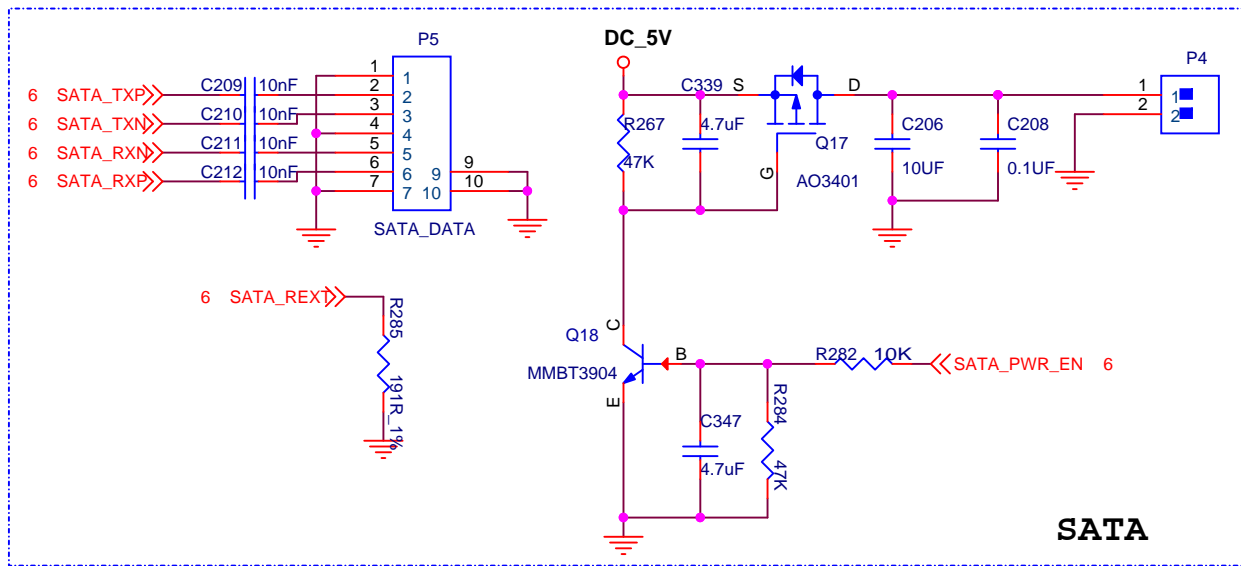
Title		
pcDuino NANO		
Size	Document Number	Rev
A4	NAND	V02
Date:	Wednesday, July 23, 2014	Sheet 8 of 16



Title		
pcDuino NANO		
Size	Document Number	Rev
A3	Power	V02
Date:	Wednesday, July 23, 2014	Sheet 9 of 16

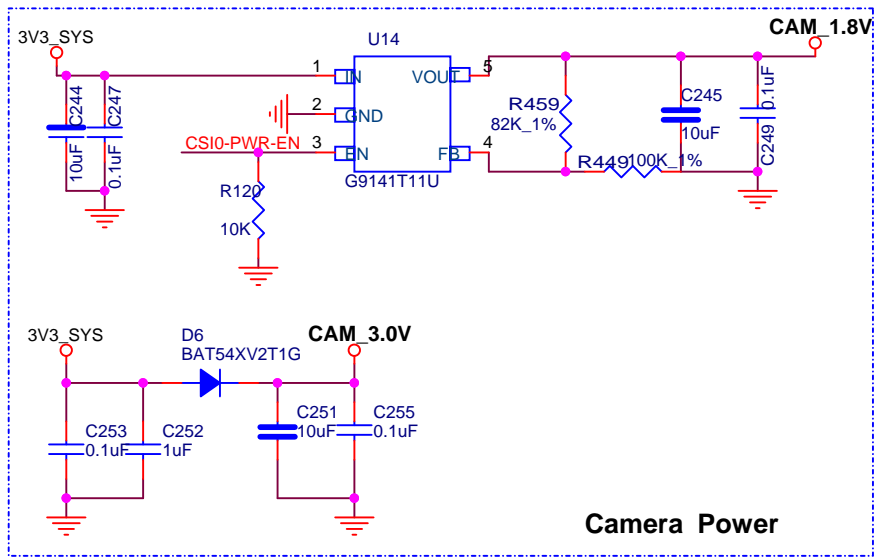


HDMI

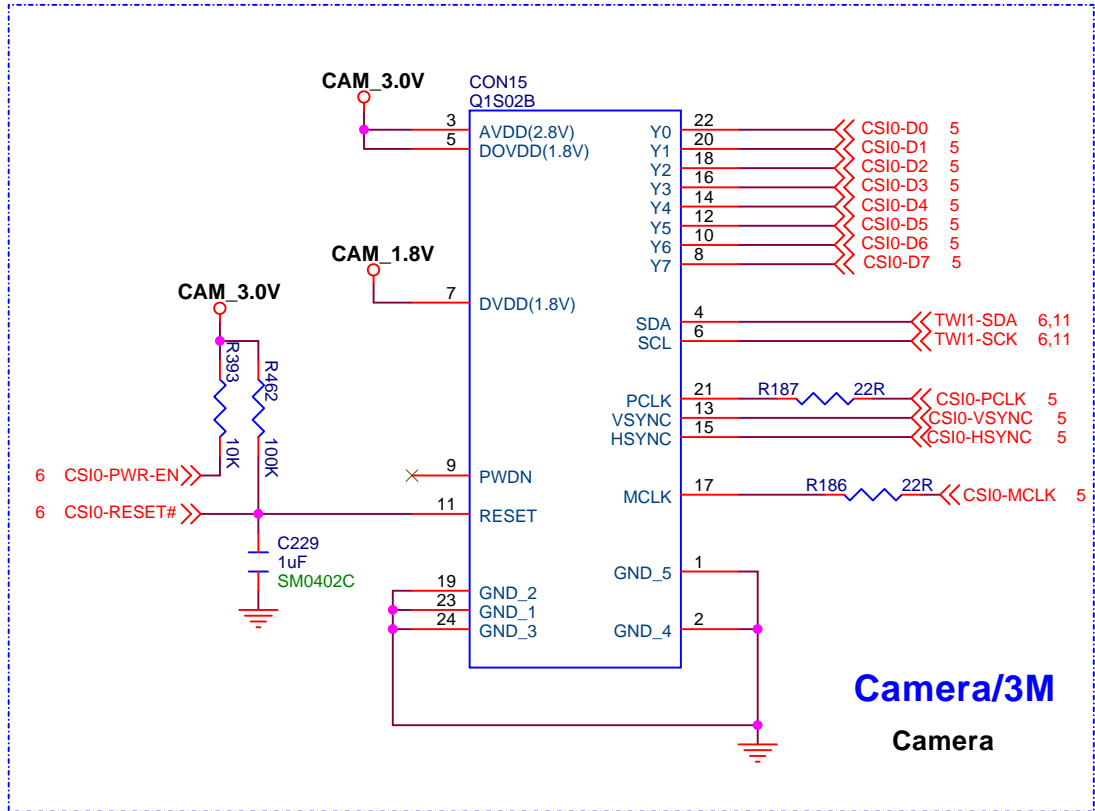
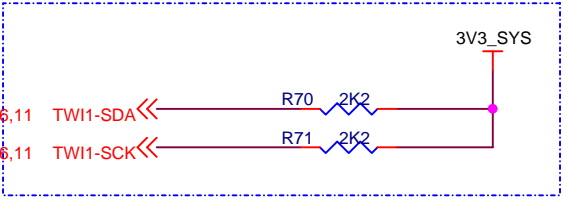


SATA

Title		
pcDuino NANO		
Size	Document Number	Rev
A4	HDMI	V02
Date:	Wednesday, July 23, 2014	Sheet 10 of 16

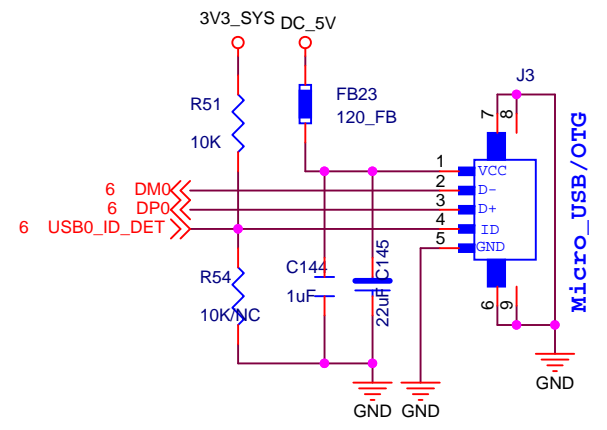
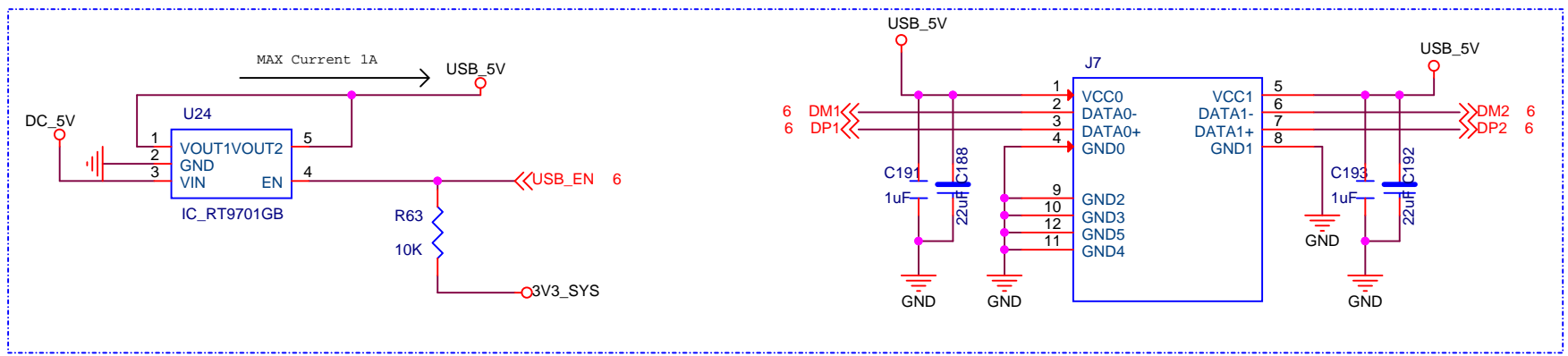


Camera Power

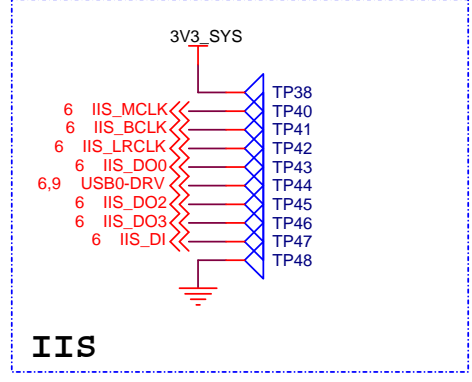
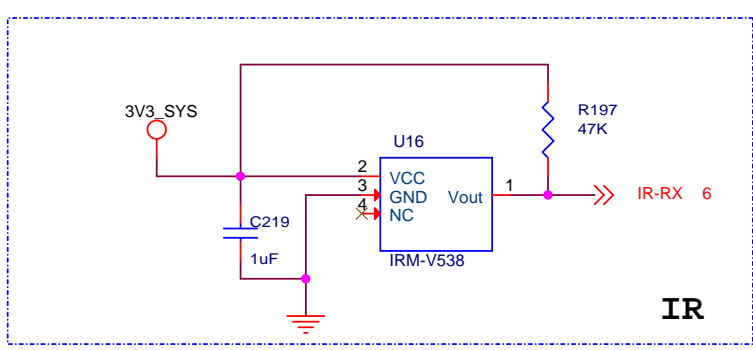
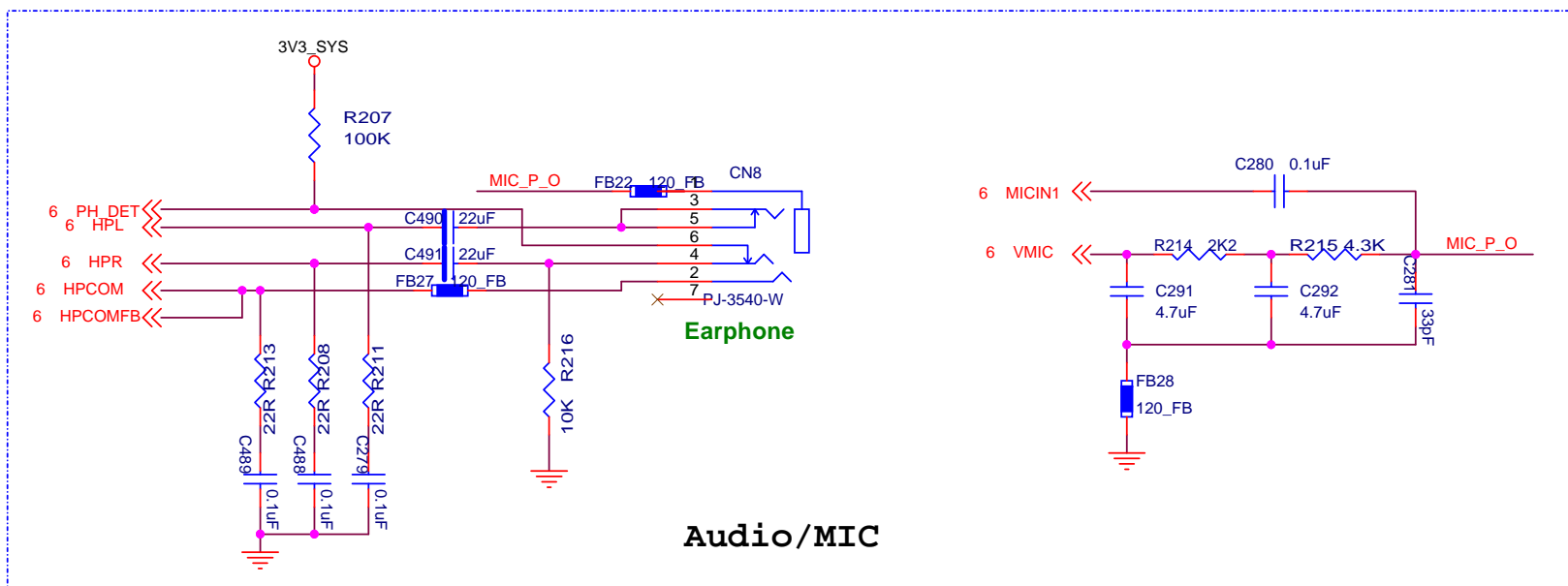


**Camera/3M
Camera**

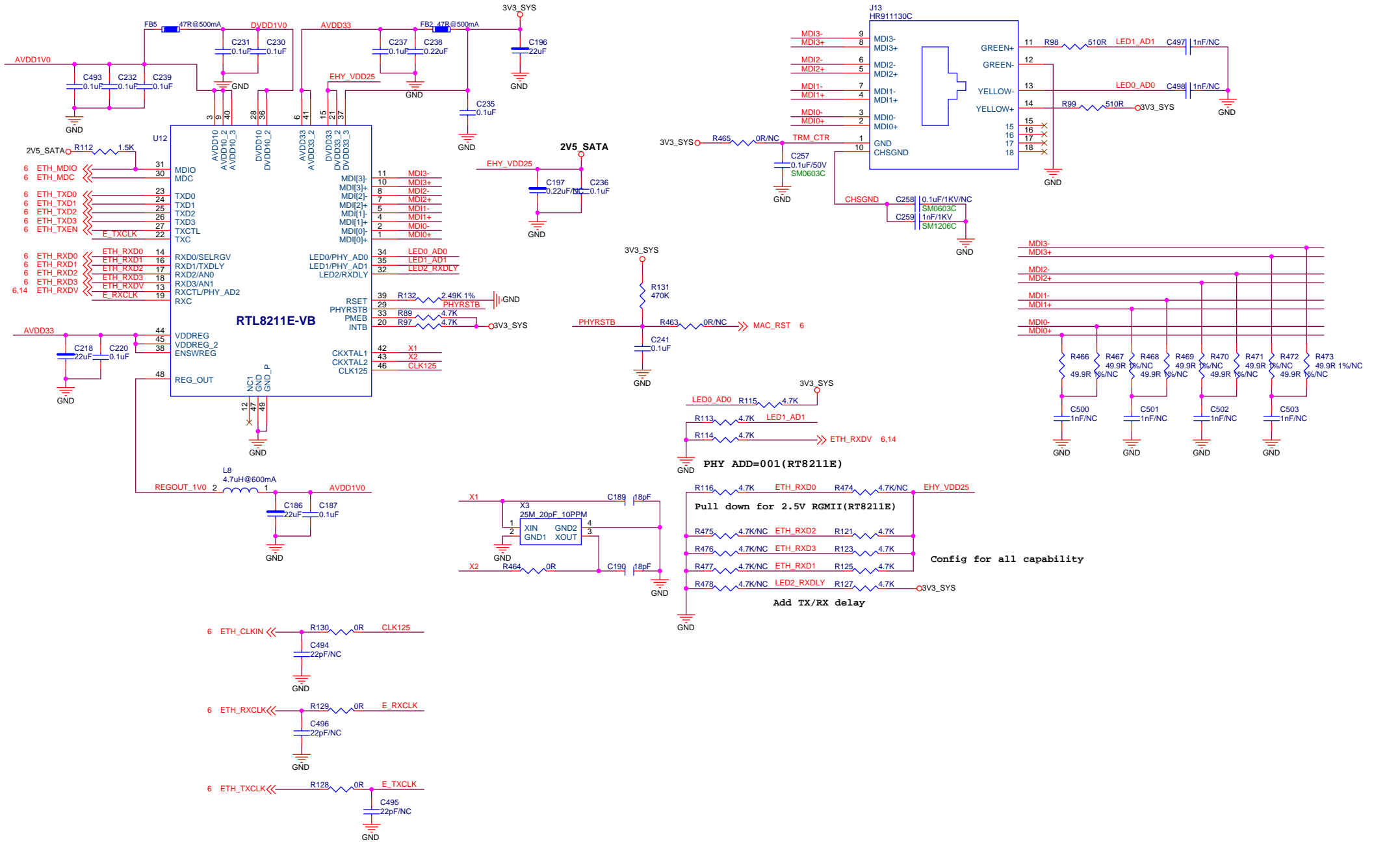
Title		
pcDuino NANO		
Size	Document Number	Rev
A4	LVDS/CSI	V02
Date:	Wednesday, July 23, 2014	Sheet 11 of 16



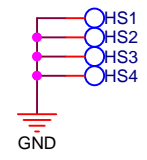
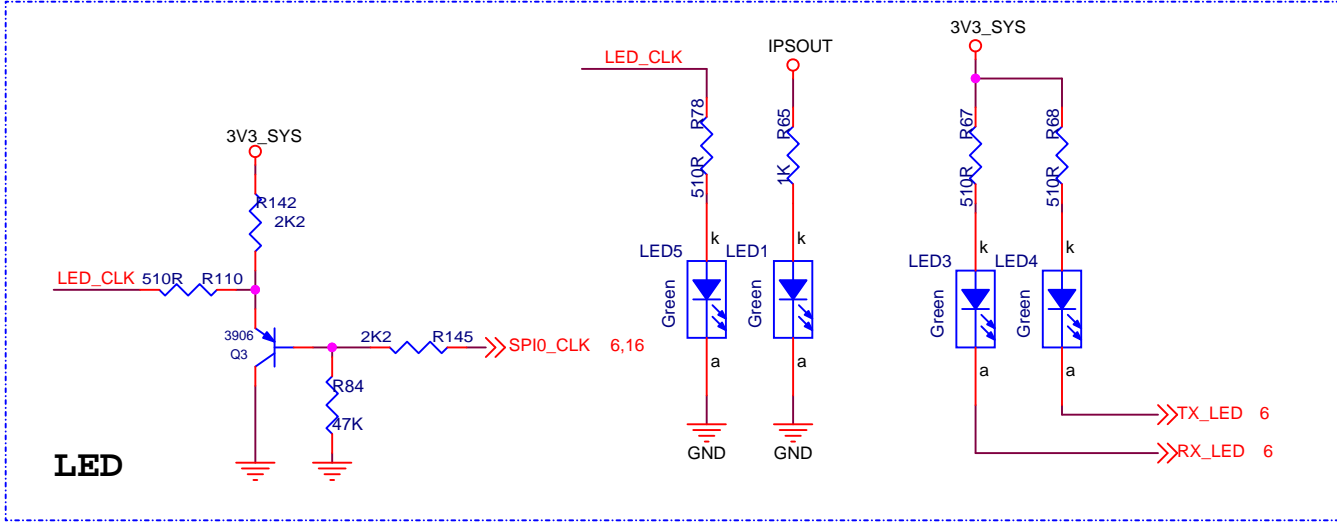
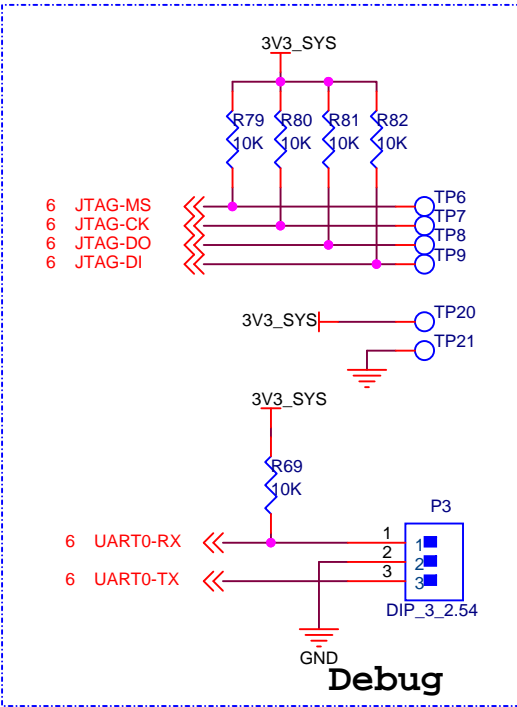
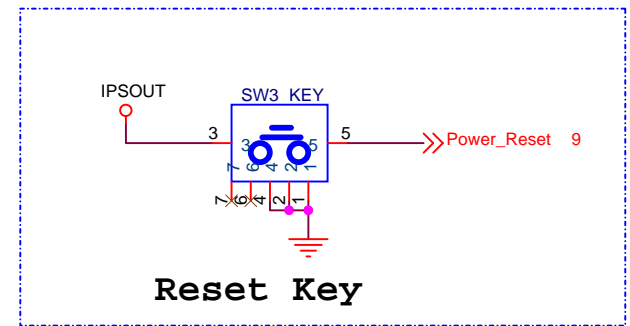
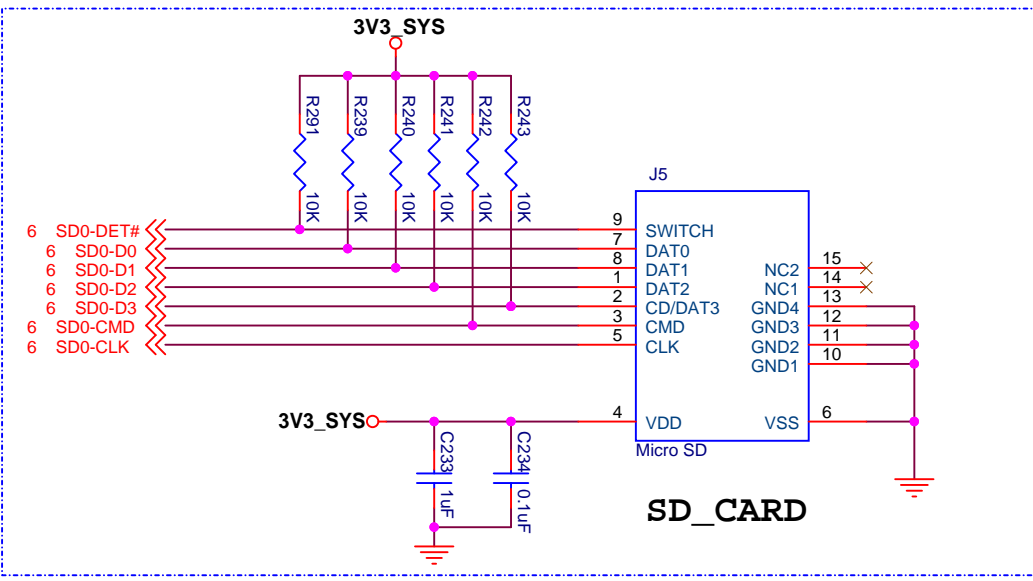
Title		
pcDuino NANO		
Size	Document Number	Rev
A4	USB	V02
Date:	Wednesday, July 23, 2014	Sheet 12 of 16



Title		
pcDuino NANO		
Size	Document Number	Rev
Custom	Audio/IIS/IR	V02
Date:	Wednesday, July 23, 2014	Sheet 13 of 16



Title		pcDuino NANO	
Size	A3	Document Number	Ethernet
Date:	Wednesday, July 23, 2014	Sheet	14 of 16
		Rev	V02



Title		pcDuino NANO	
Size	A4	Document Number	SD/Debug
Date:	Wednesday, July 23, 2014	Sheet	15 of 16
			Rev V02

