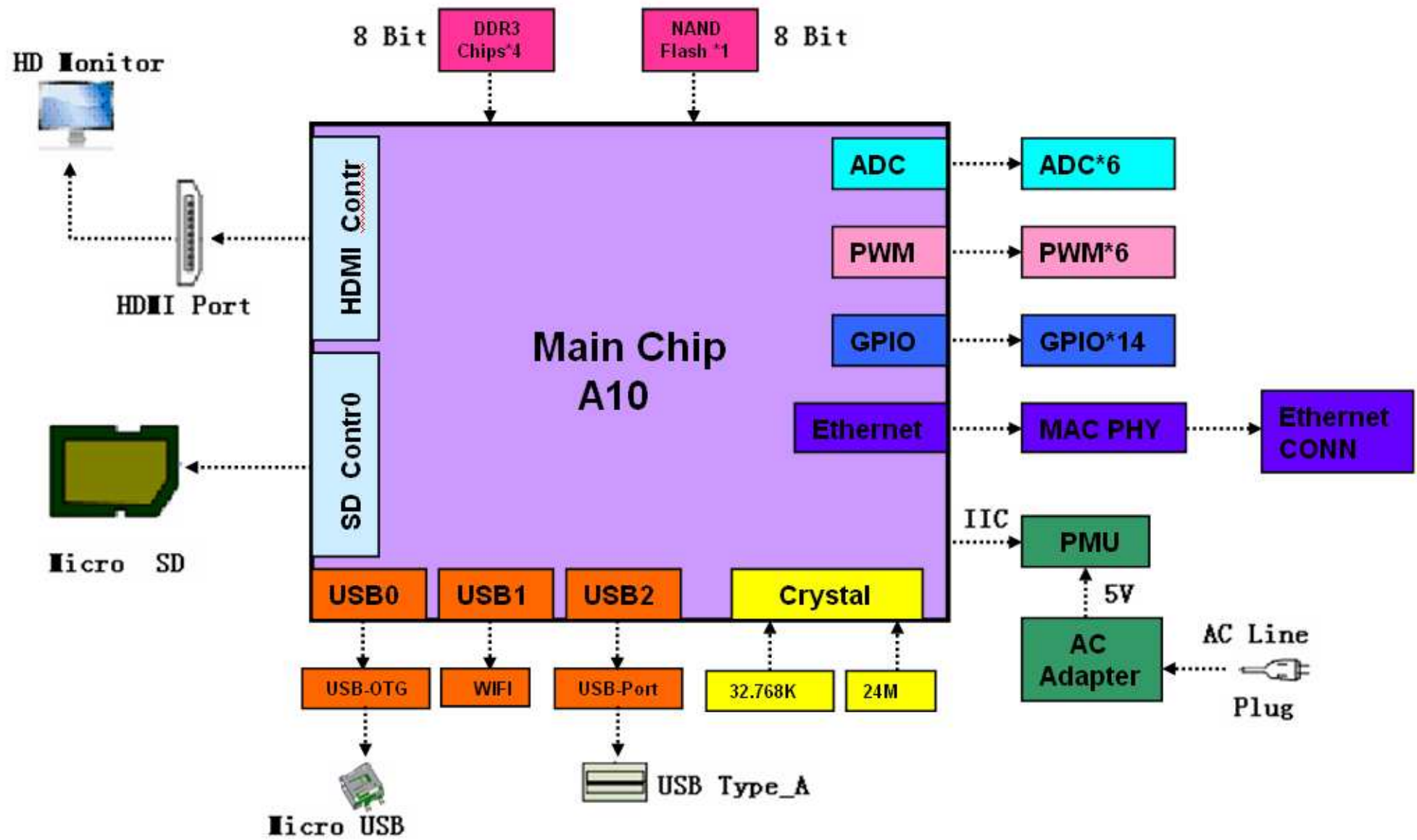


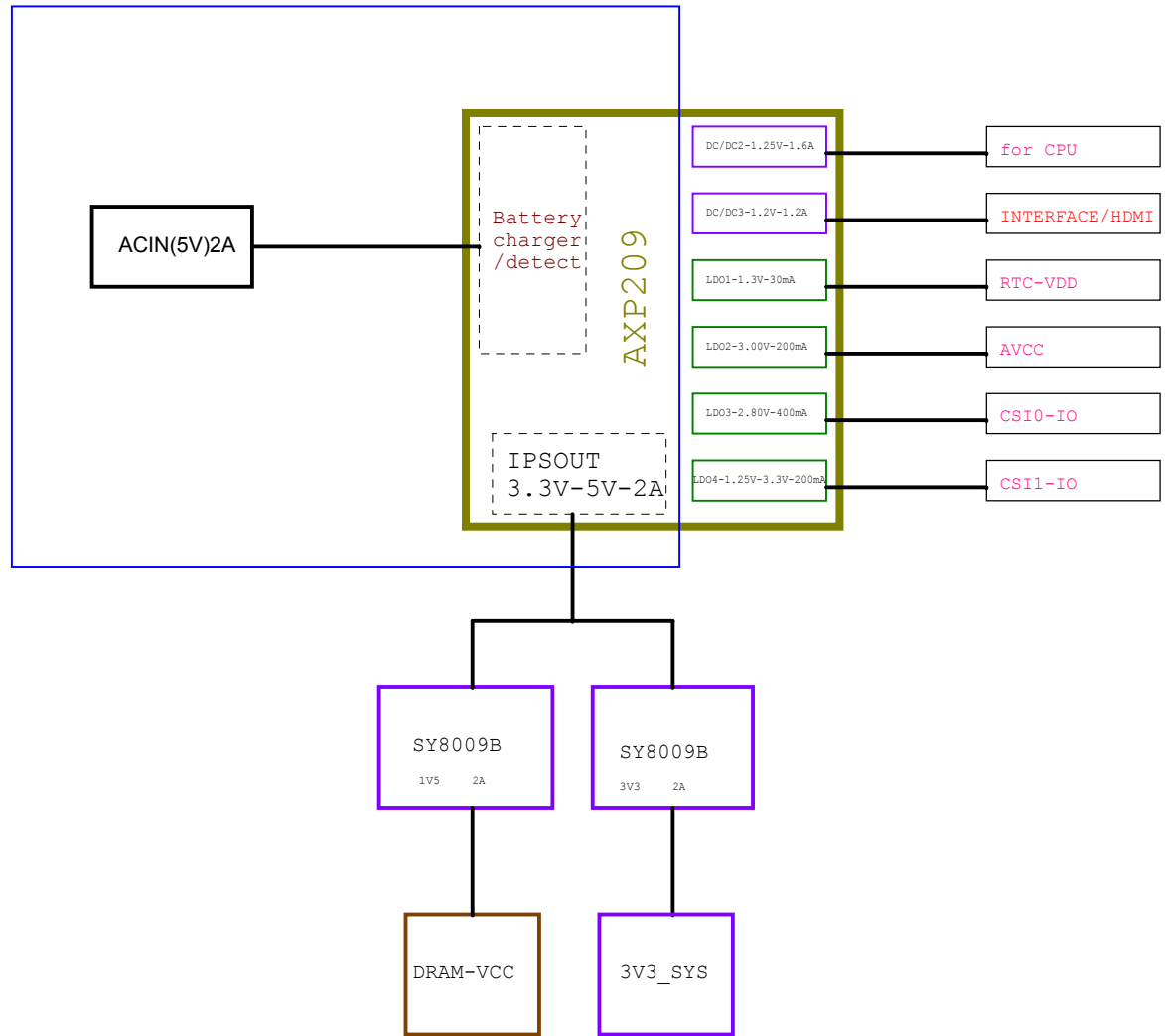
| Rev  | Date       | Description    | Drawn |
|------|------------|----------------|-------|
| V1.0 | 2012-11-14 | First release  |       |
| V2.0 | 2013-09-17 | Compatible A20 |       |
|      |            |                |       |

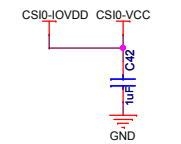
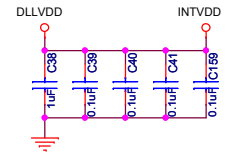
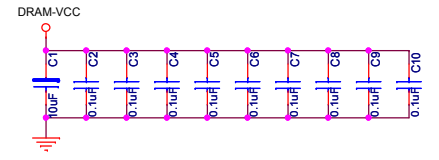
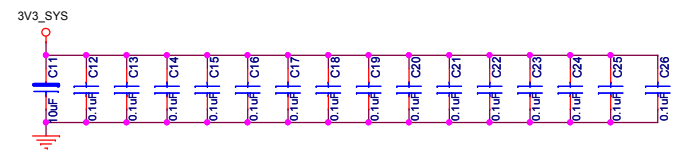
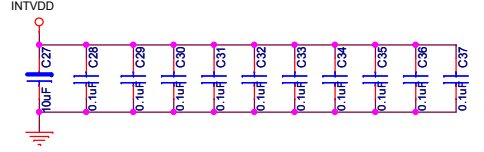
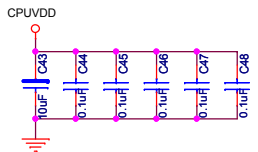
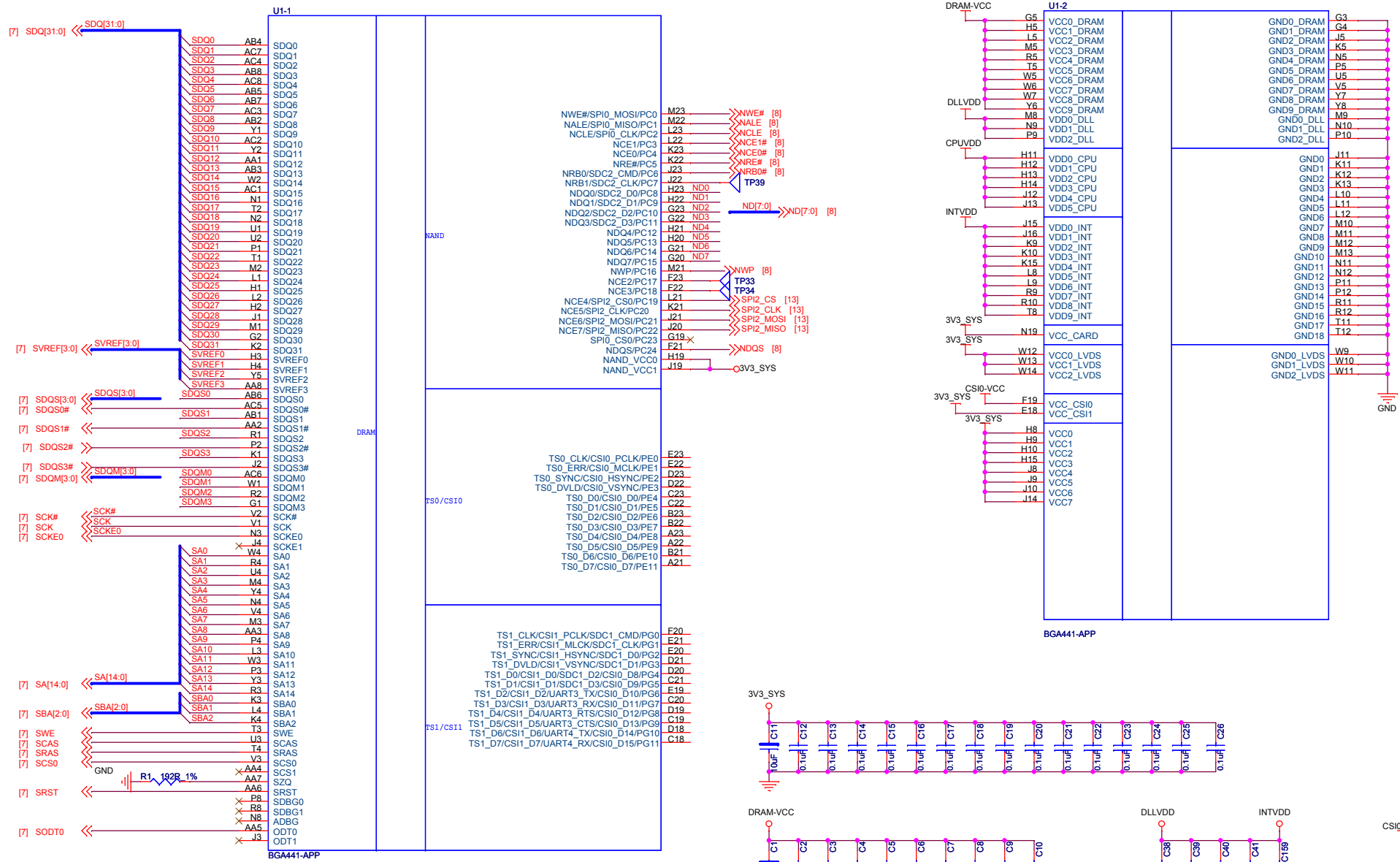
|        |                             |               |
|--------|-----------------------------|---------------|
| Title  |                             |               |
| PCDino |                             |               |
| Size   | Document Number             | Rev           |
| A4     | COVER                       | V2.0          |
| Date:  | Tuesday, September 17, 2013 | Sheet 1 of 14 |



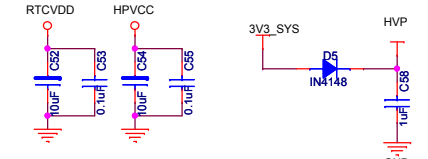
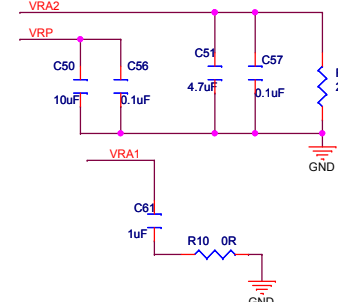
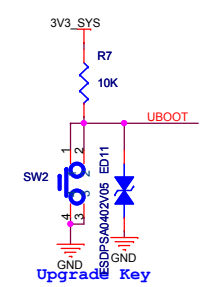
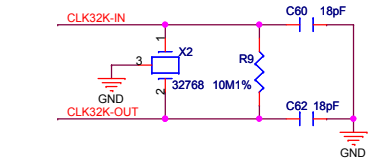
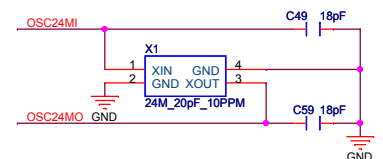
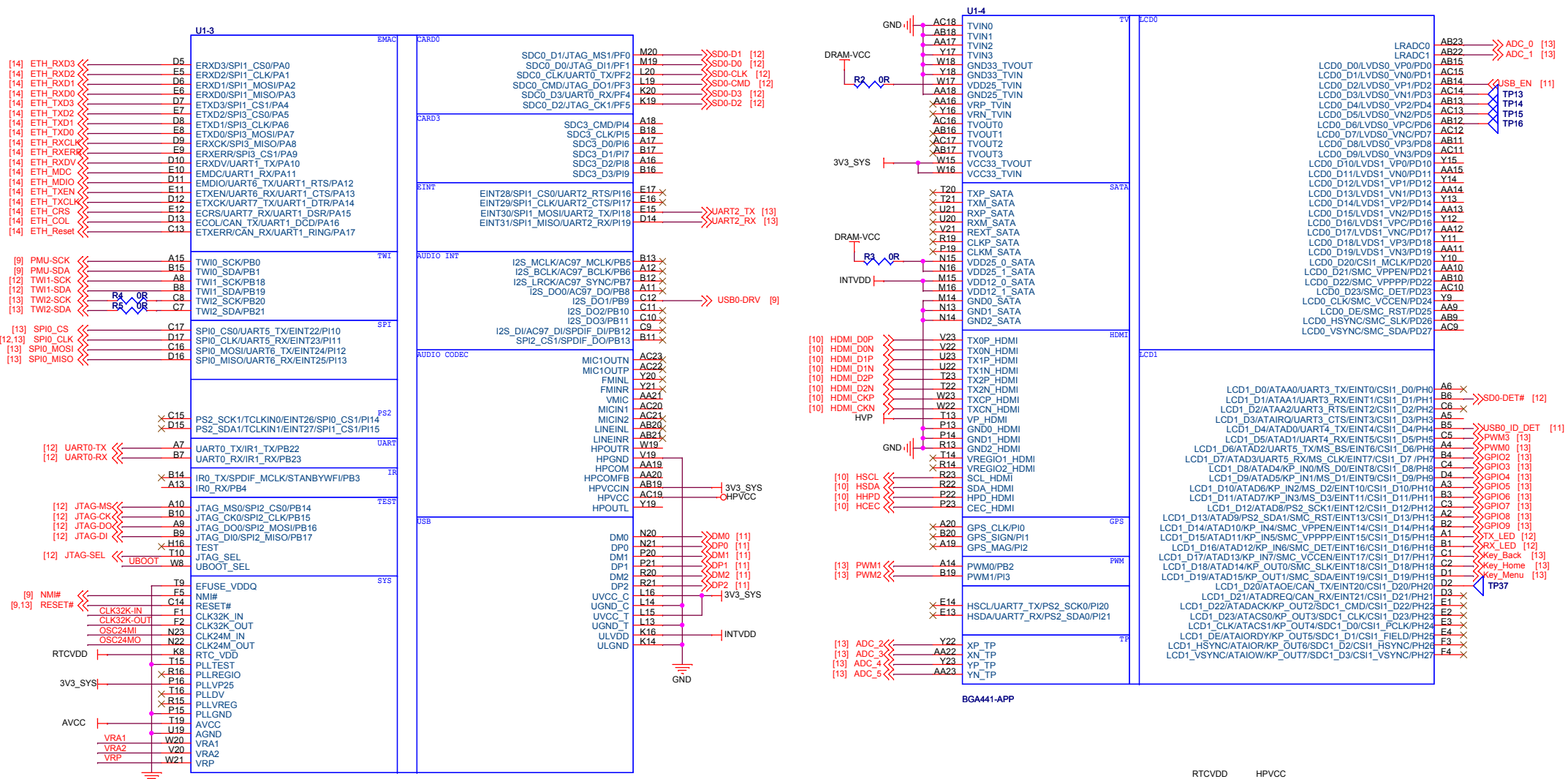
|        |                             |               |
|--------|-----------------------------|---------------|
| Title  |                             |               |
| PCDino |                             |               |
| Size   | Document Number             | Rev           |
| A4     | BLOCK                       | V2.0          |
| Date:  | Tuesday, September 17, 2013 | Sheet 2 of 14 |

| Function             | GPIO List                                | Pin Name | Direction | Net Name    | Active | Default | Description          |          |
|----------------------|------------------------------------------|----------|-----------|-------------|--------|---------|----------------------|----------|
| SPI1                 | ERXD2/SPI1_CLK/PA1                       | E5       | O         | SPI1_CLK    |        |         | SPI1_LINK            |          |
|                      | ERXD1/SPI1_MOSI/PA2                      | D6       | O         | SPI1_MOSI   |        |         |                      |          |
|                      | ERXD0/SPI1_MISO/PA3                      | E6       | I         | SPI1_MISO   |        |         |                      |          |
| SPI0                 | SPI00_CS0/UART5_TX/EINT22/PI10           | C17      | O         | SPI0_CS     |        |         | SPI0_LINK/PWM        |          |
|                      | SPI00_CLK/UART5_RX/EINT23/PI11           | D17      | O         | SPI0_CLK    |        |         | SPI01_LINK           |          |
|                      | SPI00_MOSI/UART6_TX/EINT24/PI12          | C16      | O         | SPI0_MOSI   |        |         | SPI0_LINK/PWM        |          |
|                      | SPI00_MISO/UART6_RX/EINT25/PI13          | D16      | I         | SPI0_MISO   |        |         | SPI0_LINK            |          |
| IIC0                 | TWI0_SCK/PB0                             | A15      | O         | PMU-SCK     |        |         | PMU_IIC_LINK         |          |
|                      | TWI0_SDA/PB1                             | B15      | I/O       | PMU-SDA     |        |         |                      |          |
| IIC1                 | TWI1_SCK/PB18                            | A8       | O         | TWI1-SCK    |        |         | IIC_LINK             |          |
|                      | TWI1_SDA/PB19                            | B8       | I/O       | TWI1-SDA    |        |         |                      |          |
| IIC2                 | TWI2_SCK/PB20                            | C8       | O         | TWI2-SCK    |        |         | CONN_IIC_LINK        |          |
|                      | TWI2_SDA/PB21                            | C7       | I/O       | TWI2-SDA    |        |         |                      |          |
| UART0                | UART0_TX/IR1_TX/PB22                     | A7       | O         | UART0-TX    |        |         | UART0_LINK For debug |          |
|                      | UART0_RX/IR1_RX/PB23                     | B7       | I         | UART0-RX    |        |         |                      |          |
| JTAG                 | JTAG_MS0/SPI2_CS0/PB14                   | A10      | O         | JTAG-MS     |        |         | JTAG_LINK            |          |
|                      | JTAG_CK0/SPI2_CLK/PB15                   | B10      | O         | JTAG-CK     |        |         |                      |          |
|                      | JTAG_DO0/SPI2_MOSI/PB16                  | A9       | O         | JTAG-DO     |        |         |                      |          |
|                      | JTAG_DI0/SPI2_MISO/PB17                  | B9       | I         | JTAG-DI     |        |         |                      |          |
|                      | JTAG_SEL                                 | T10      | I         | JTAG-SEL    |        |         |                      |          |
| SD0                  | NMI#                                     | F5       | O         | NMI#        |        |         | PMU_INT              |          |
|                      | SDC0_DI/JATG_MS1/PF0                     | M20      | I/O       | SD0-D1      |        |         | SD_CARD              |          |
|                      | SDC0_D0/JATG_DI1/PF1                     | M19      | I/O       | SD0-D0      |        |         |                      |          |
|                      | SDC0_CLK/UART0_TX/PF2                    | L20      | O         | SD0-CLK     |        |         |                      |          |
|                      | SDC0_CMD/JTAG_DO1/PF3                    | L19      | O         | SD0-CMD     |        |         |                      |          |
|                      | SDC0_D3/UART0_RX/PF4                     | K20      | I/O       | SD0-D3      |        |         |                      |          |
| SDC0_D2/JATG_CK1/PF5 | K19                                      | I/O      | SD0-D2    |             |        |         |                      |          |
| UART2                | EINT30/SPI1_MOSI/UART2_TX/PI18           | E15      | O         | UART2_TX    |        |         | UART2_LINK/GPIO      |          |
|                      | EINT30/SPI1_MISO/UART2_RX/PI19           | D14      | I         | UART2_RX    |        |         |                      |          |
|                      | I2S_DO1/PB9                              | C12      | I         | USB0-DRV    | H      | H       | PMU_CHANNEL_SEL      |          |
| USB0                 | DM0                                      | N20      | I/O       | DM0         |        |         | OTG_USB              |          |
|                      | DP0                                      | N21      | I/O       | DP0         |        |         |                      |          |
| USB1                 | DM1                                      | P20      | I/O       | DM1         |        |         | USB_WIFI             |          |
|                      | DP1                                      | P21      | I/O       | DP1         |        |         |                      |          |
| USB2                 | DM2                                      | R20      | I/O       | DM2         |        |         | USB_Type_A           |          |
|                      | DP2                                      | R21      | I/O       | DP2         |        |         |                      |          |
| HDMI                 | SCL_HDMI                                 | R23      | O         | HSCL        |        |         | HDMI_DDC             |          |
|                      | SDA_HDMI                                 | R22      | I/O       | HSDA        |        |         |                      |          |
|                      | HPD_HDMI                                 | P22      | I         | HHPD        | H      | L       |                      | HDMI_HPD |
|                      | CEC_HDMI                                 | P23      | I         | HCEC        | H      | L       |                      | HDMI_CEC |
| PWM                  | PWM0/PB2                                 | A14      | O         | PWM1        |        |         | PWM                  |          |
|                      | PWM1/PI3                                 | B19      | O         | PWM2        |        |         | PWM                  |          |
| ADC                  | XP_TP                                    | Y22      | I         | ADC_2       |        |         | 6_CHANNEL_ADC        |          |
|                      | XN_TP                                    | AA22     | I         | ADC_3       |        |         |                      |          |
|                      | YP_TP                                    | Y23      | I         | ADC_4       |        |         |                      |          |
|                      | YN_TP                                    | AA23     | I         | ADC_5       |        |         |                      |          |
|                      | LRADC0                                   | AB23     | I         | ADC_0       |        |         |                      |          |
|                      | LRADC1                                   | AB22     | I         | ADC_1       |        |         |                      |          |
|                      | LCD1_D1/ATAA1/UART3_RX/EINT1/CSI1_D1/PH1 | B6       | I         | SD0-DET#    | L      | H       | SD_CARD_DET          |          |
|                      | LCD4_D1/ATAD0/UART4_TX/EINT4/CSI1_D4/PH4 | B5       | I         | USB0_ID_DET | L      | H       | OTG_USB_DET          |          |
| PWM                  | LCD5_D1/ATAD1/UART4_RX/EINT5/CSI1_D5/PH5 | C5       | I/O       | PWM3        |        |         | PWM                  |          |
|                      | LCD6_D1/ATAD2/UART5_TX/EINT6/CSI1_D6/PH6 | A4       | I/O       | PWM0        |        |         | PWM                  |          |
| GPIO                 | LCD1_D7/ATAD3/UART5_RX/EINT7/CSI1_D7/PH7 | B4       | I/O       | GPIO2       |        |         | GPIO                 |          |
|                      | LCD1_D8/ATAD4/EINT8/CSI1_D8/PH8          | C4       | I/O       | GPIO3       |        |         | GPIO                 |          |
|                      | LCD1_D9/ATAD5/EINT9/CSI1_D9/PH9          | D4       | I/O       | GPIO4       |        |         | GPIO                 |          |
|                      | LCD1_D10/ATAD6/EINT10/CSI1_D10/PH10      | A3       | I/O       | GPIO5       |        |         | GPIO                 |          |
|                      | LCD1_D11/ATAD7/EINT11/CSI1_D11/PH11      | B3       | I/O       | GPIO6       |        |         | GPIO                 |          |
|                      | LCD12_D12/ATAD8/EINT12/CSI1_D12/PH12     | C3       | I/O       | GPIO7       |        |         | GPIO                 |          |
|                      | LCD1_D13/ATAD9/EINT13/CSI1_D13/PH13      | A2       | I/O       | GPIO8       |        |         | GPIO                 |          |
|                      | LCD14_D14/ATAD10/EINT14/CSI1_D14/PH14    | B2       | I/O       | GPIO9       |        |         | GPIO                 |          |
|                      | LCD1_D15/ATAD11/EINT15/CSI1_D15/PH15     | A1       | O         | TX_LED      | L      | H       | TX_LED               |          |
|                      | LCD1_D16/ATAD12/EINT16/CSI1_D16/PH16     | B1       | O         | RX_LED      | L      | H       | RX_LED               |          |
|                      | LCD1_D17/ATAD13/EINT17/CSI1_D16/PH17     | C1       | I         | Key_Back    | L      | H       | Key_Back             |          |
|                      | LCD1_D18/ATAD14/EINT18/CSI1_D16/PH18     | C2       | I         | Key_Home    | L      | H       | Key_Home             |          |
|                      | LCD1_D19/ATAD15/EINT19/CSI1_D16/PH19     | D1       | I         | Key_Menu    | L      | H       | Key_Menu             |          |

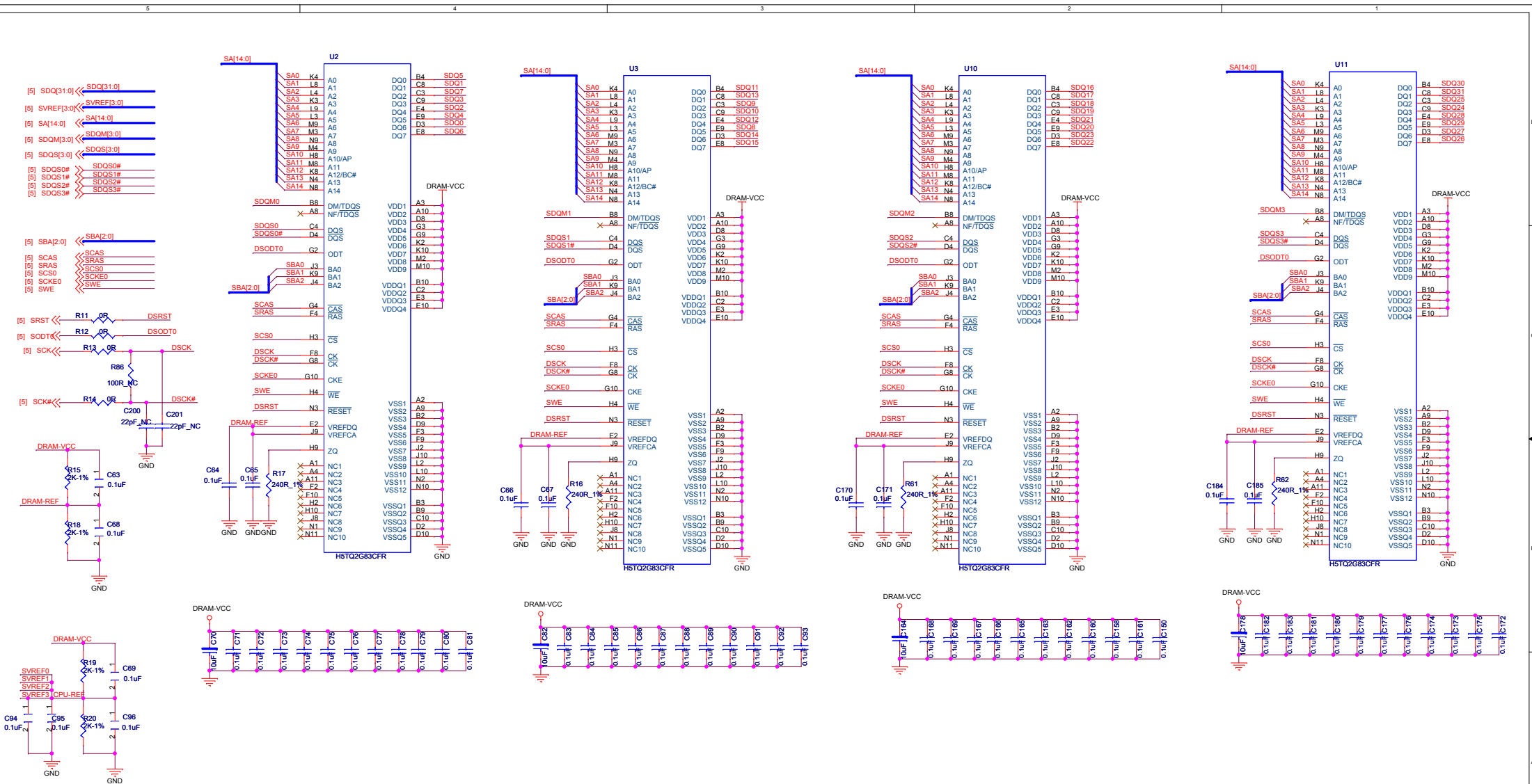




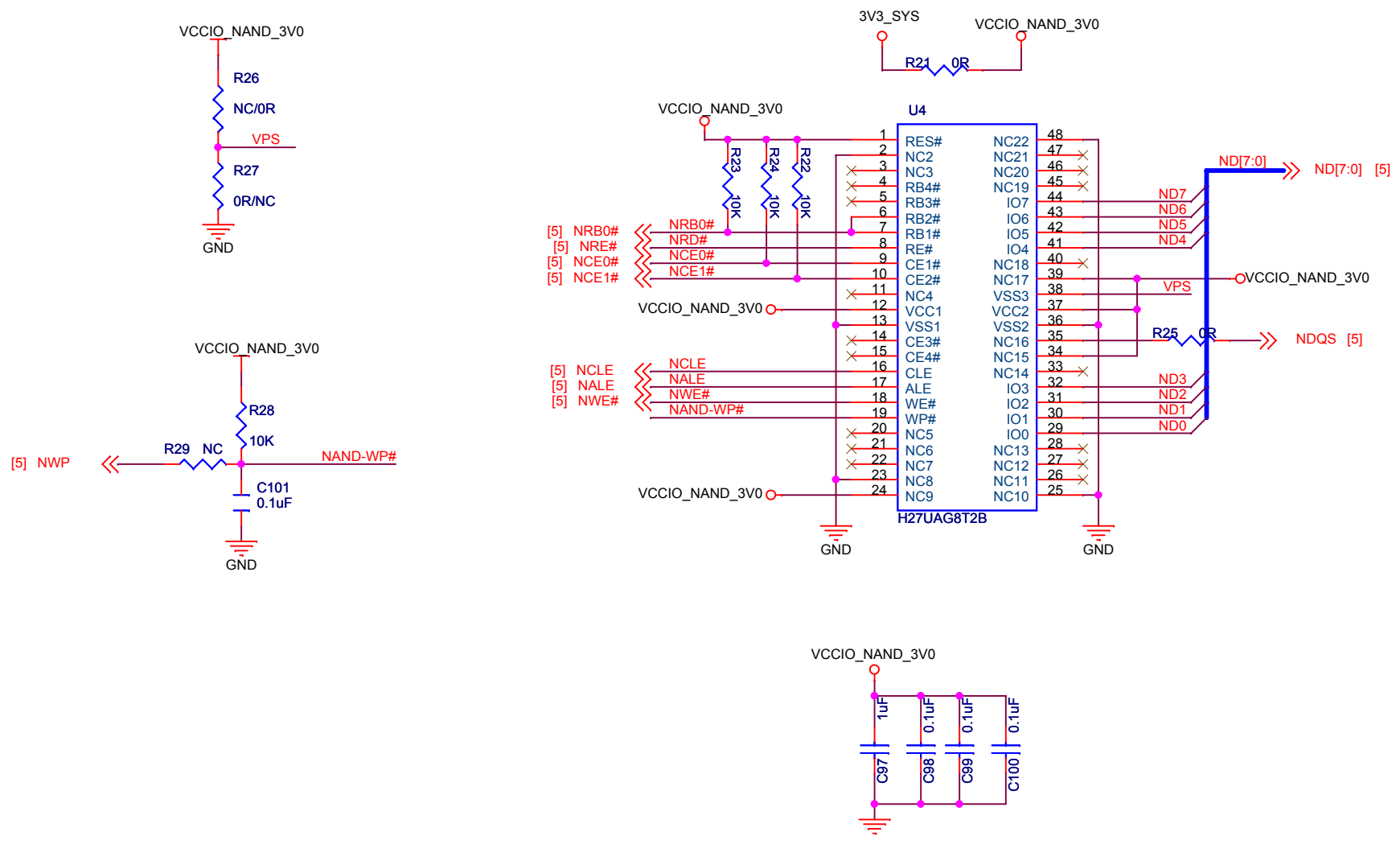
|       |                             |                 |          |
|-------|-----------------------------|-----------------|----------|
| Title |                             | PCDino          |          |
| Size  | A3                          | Document Number | CPU1     |
| Date: | Tuesday, September 17, 2013 | Sheet           | 5 of 14  |
|       |                             |                 | Rev V2.0 |



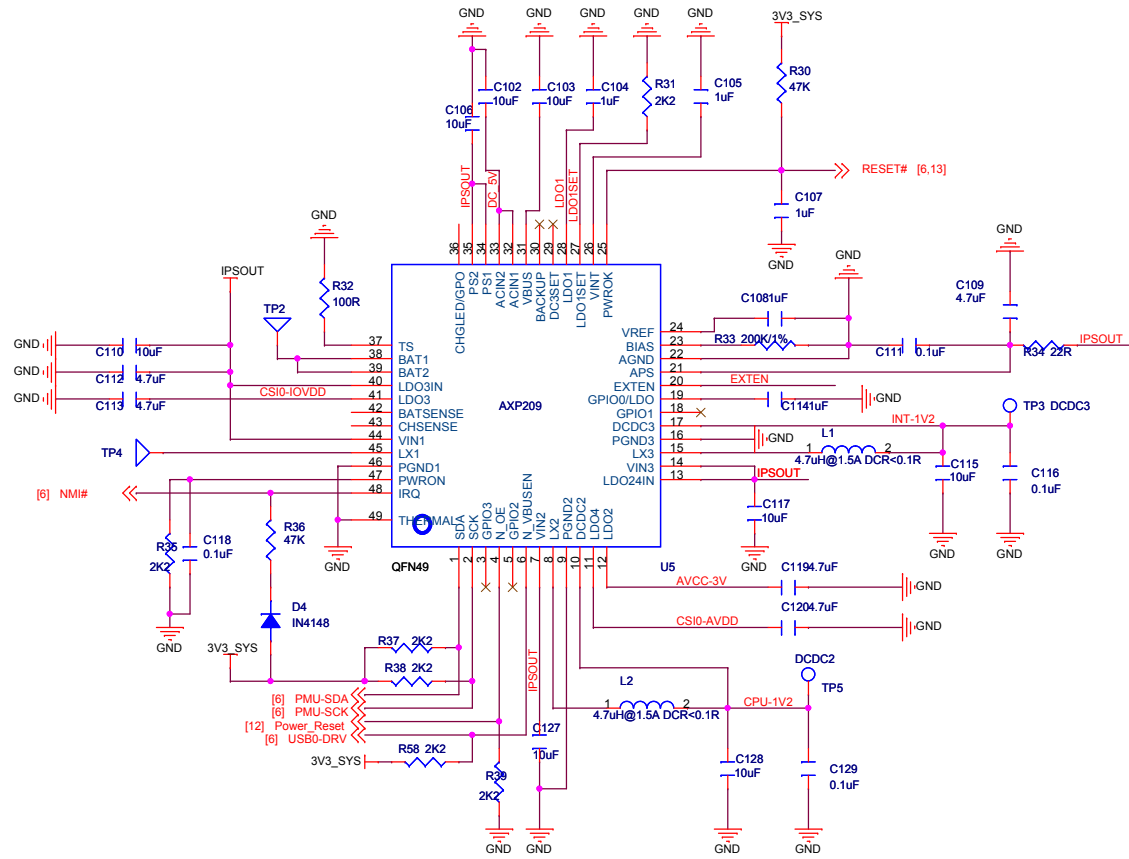
|        |                             |               |
|--------|-----------------------------|---------------|
| Title  |                             |               |
| PCDino |                             |               |
| Size   | Document Number             | Rev           |
| A3     | CPU2                        | V2.0          |
| Date:  | Tuesday, September 17, 2013 | Sheet 6 of 14 |



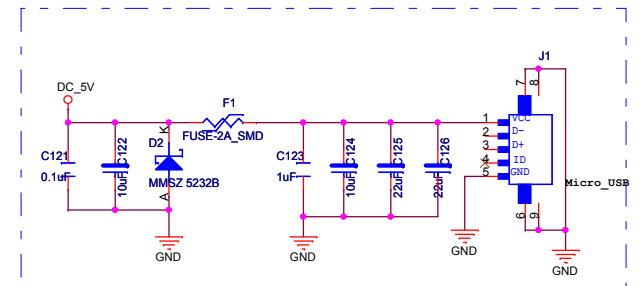
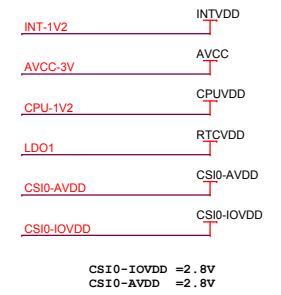
|        |                             |       |         |
|--------|-----------------------------|-------|---------|
| Title  |                             |       | PCDino  |
| Size   | Document Number             | DDR3  | Rev     |
| Custom |                             |       | V2.0    |
| Date:  | Tuesday, September 17, 2013 | Sheet | 7 of 14 |



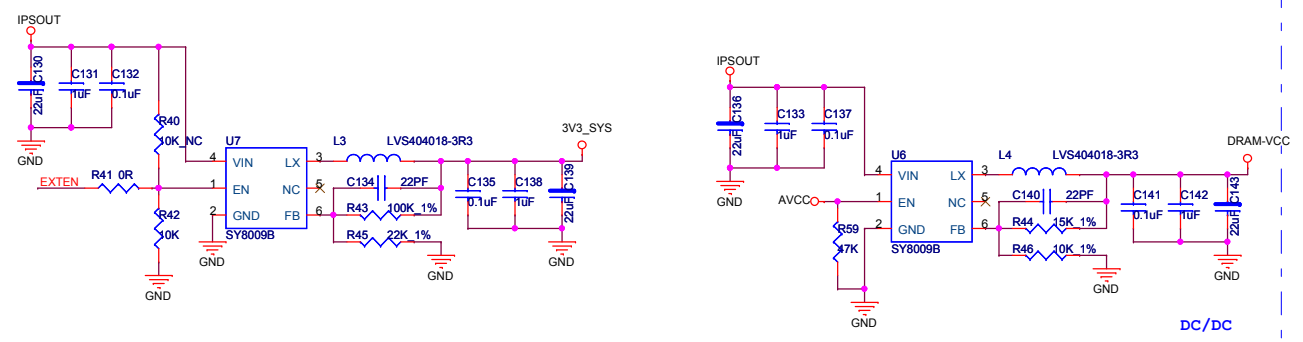




PMU

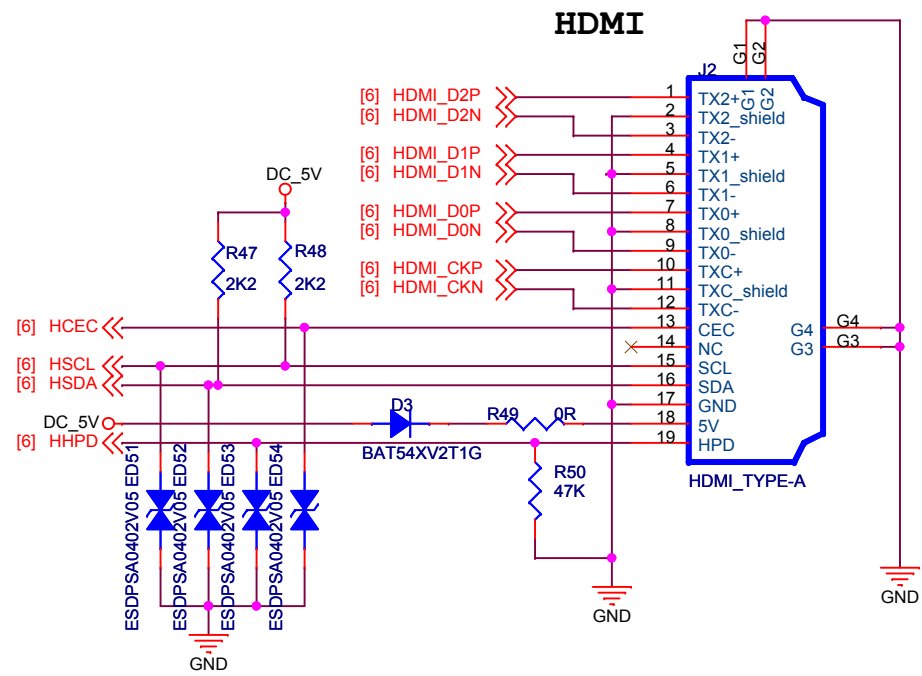
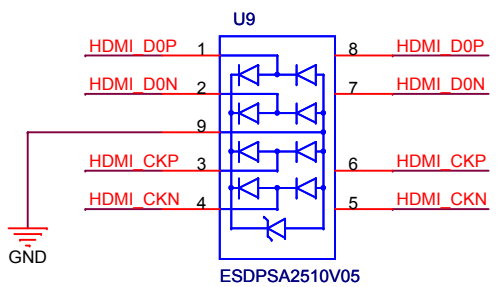
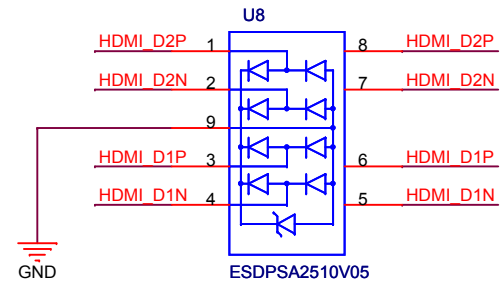


DC\_IN

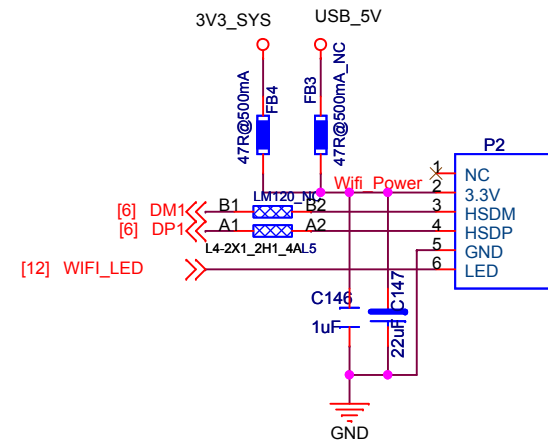
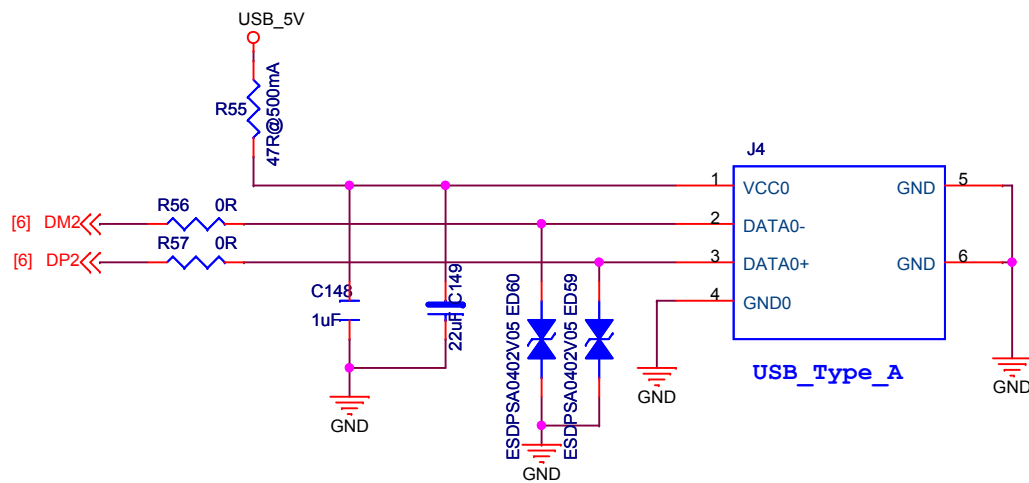
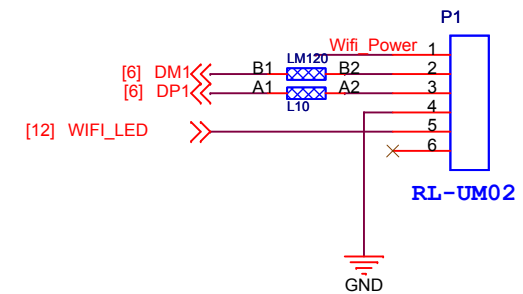
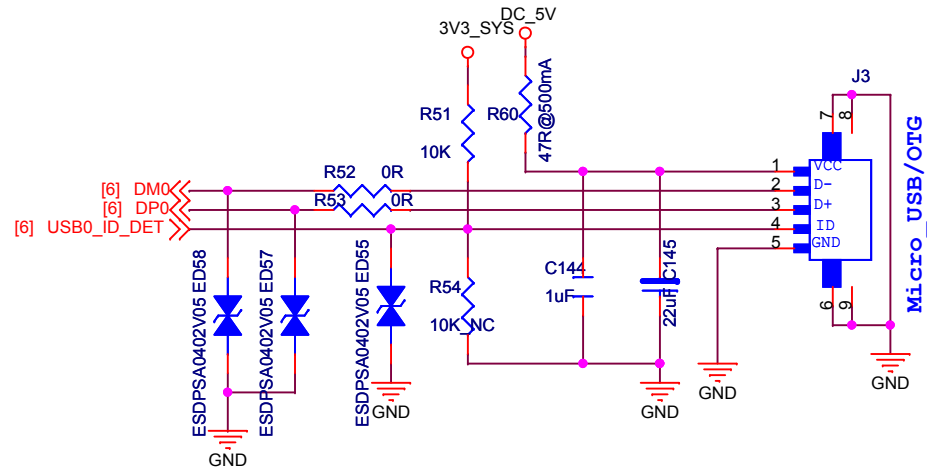
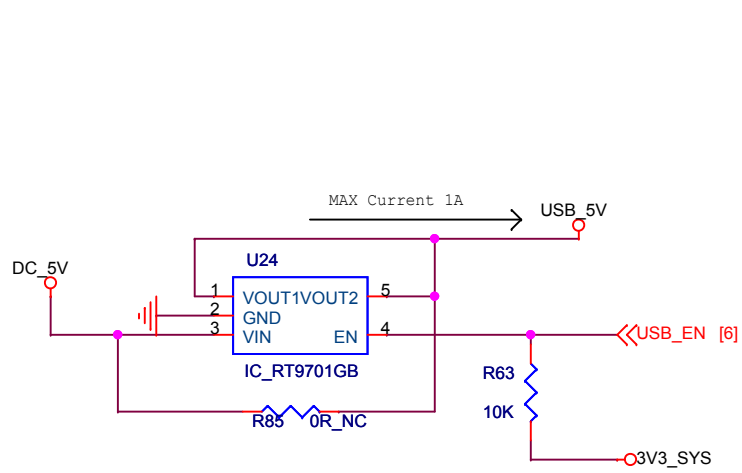


DC/DC

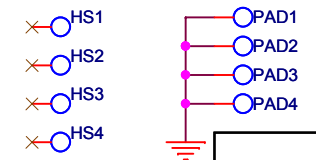
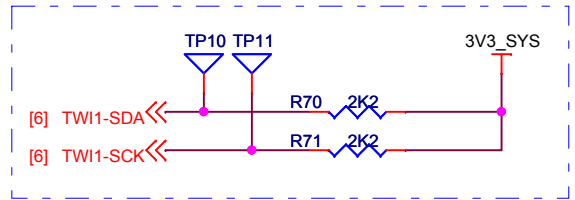
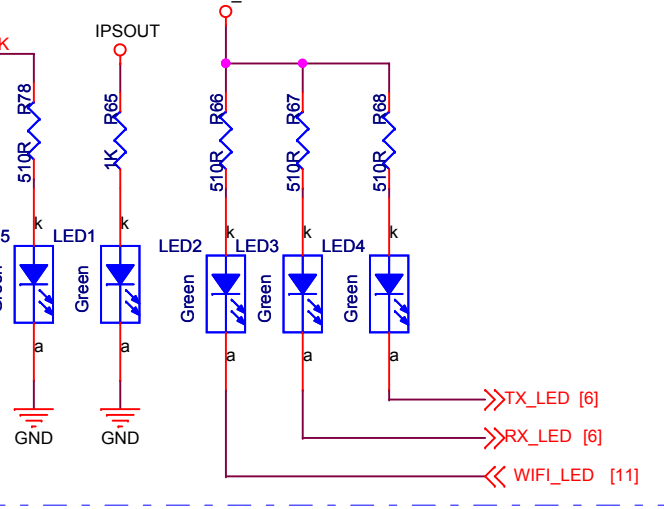
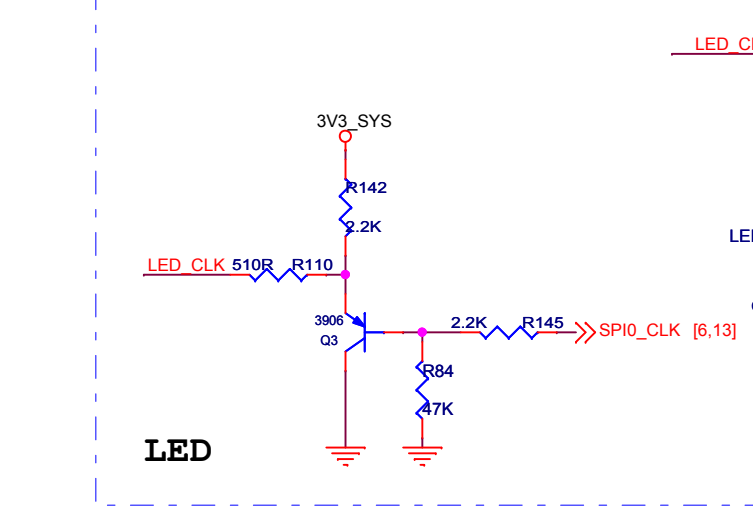
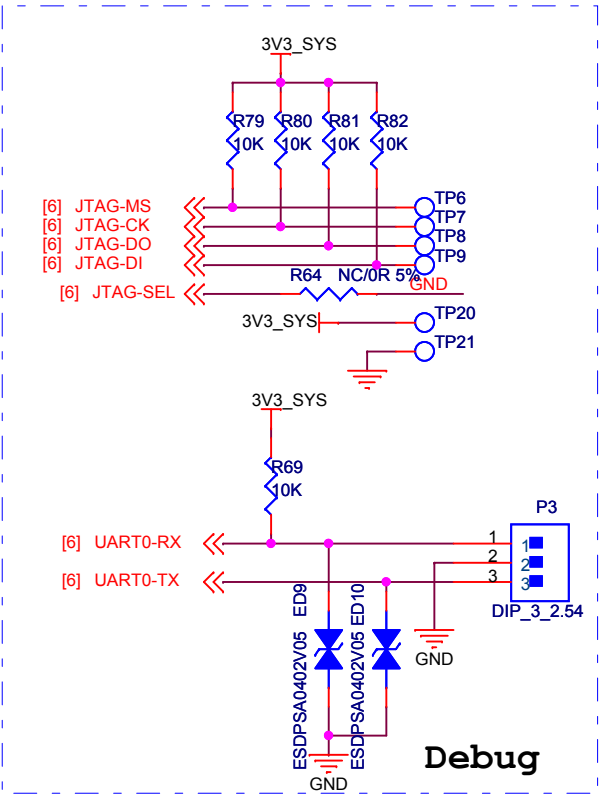
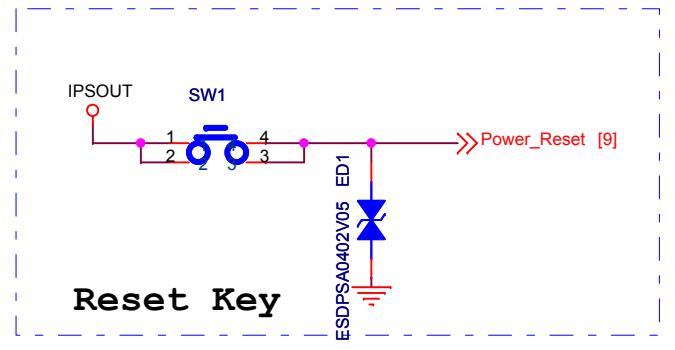
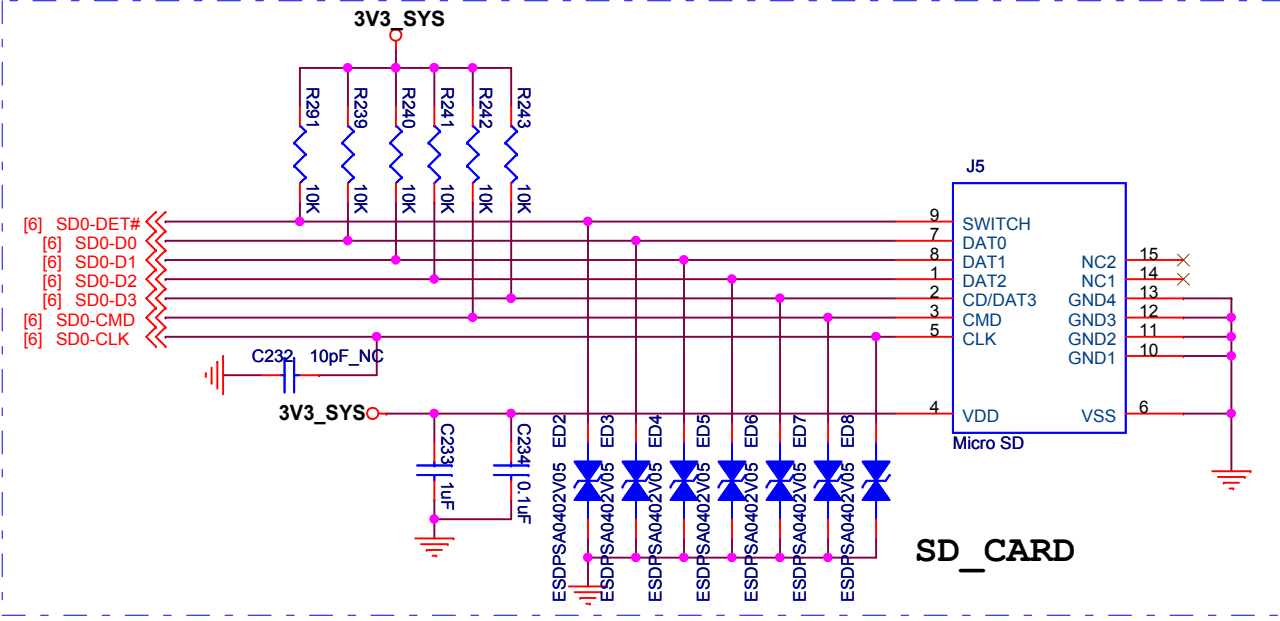
|       |                             |        |         |
|-------|-----------------------------|--------|---------|
| Title |                             | PCDino |         |
| Size  | Document Number             | Power  | Rev     |
| A3    |                             |        | V2.0    |
| Date: | Tuesday, September 17, 2013 | Sheet  | 9 of 14 |



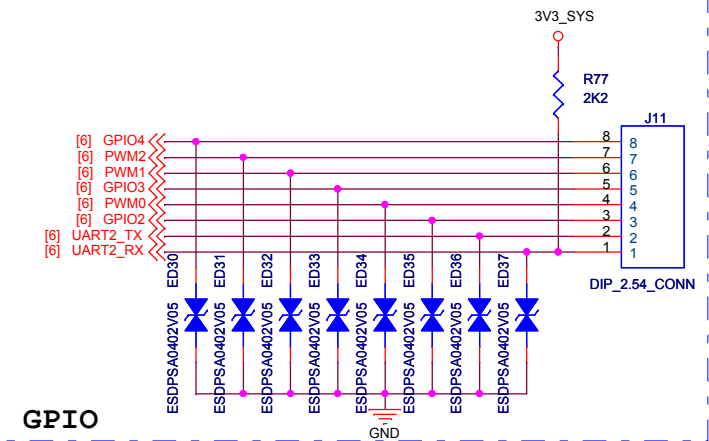
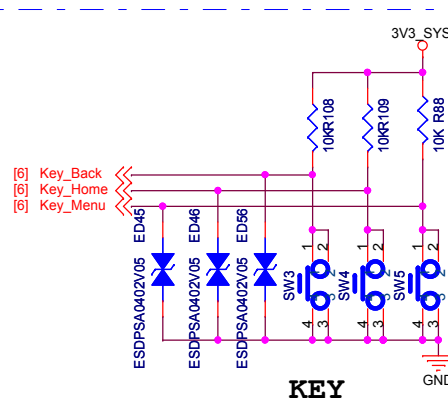
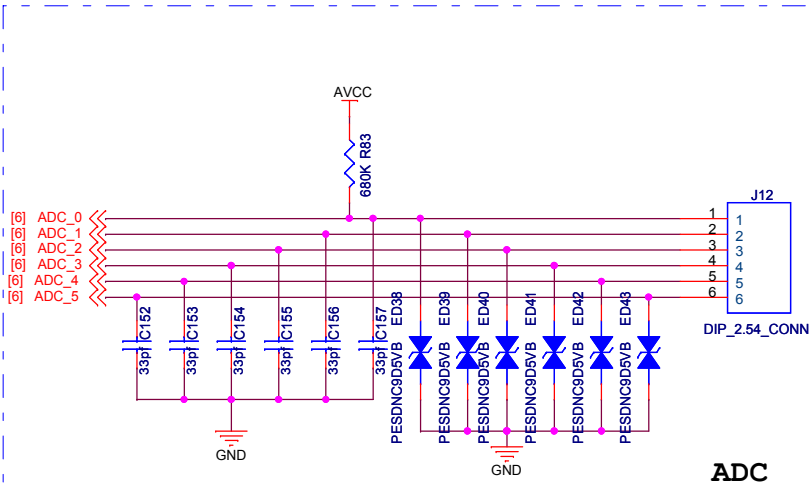
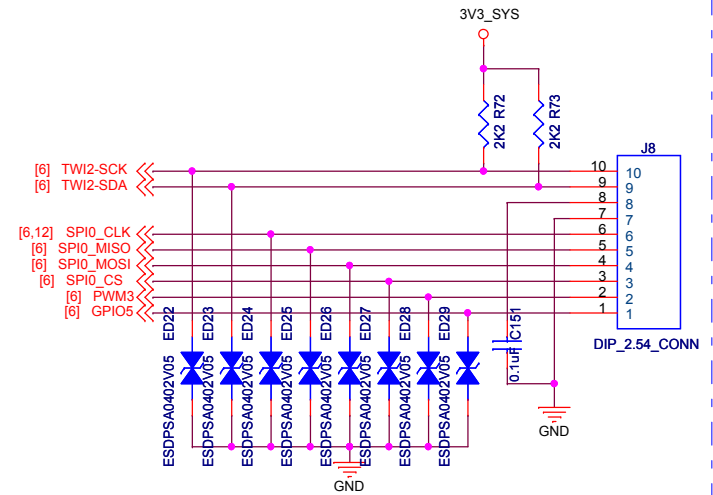
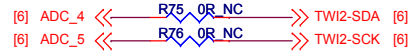
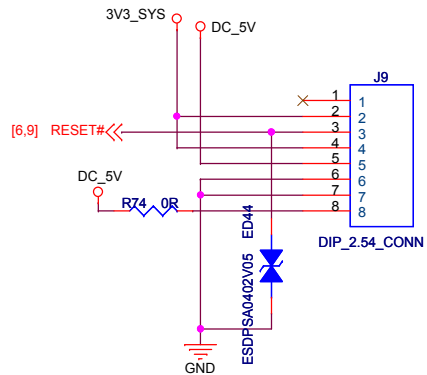
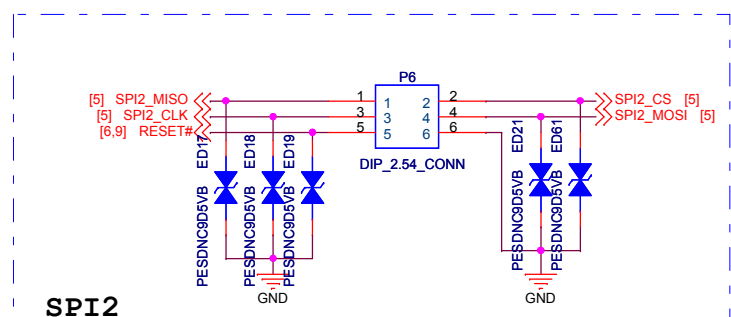
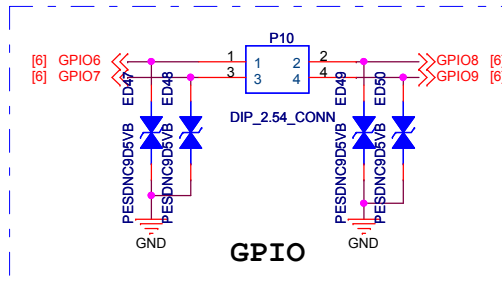
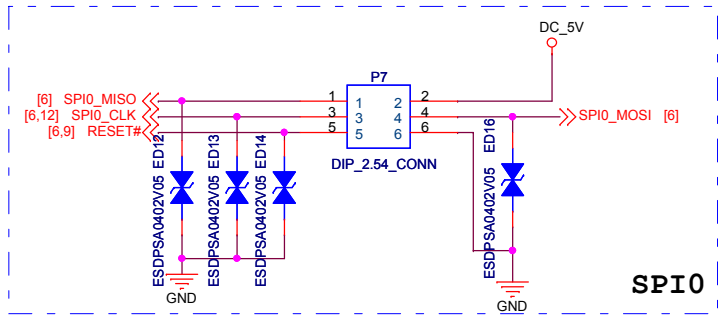
|        |                             |                |
|--------|-----------------------------|----------------|
| Title  |                             |                |
| PCDino |                             |                |
| Size   | Document Number             | Rev            |
| A4     | HDMI                        | V2.0           |
| Date:  | Tuesday, September 17, 2013 | Sheet 10 of 14 |



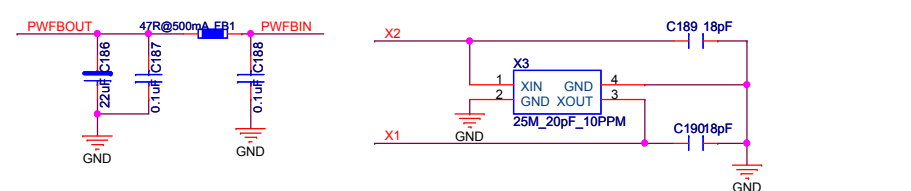
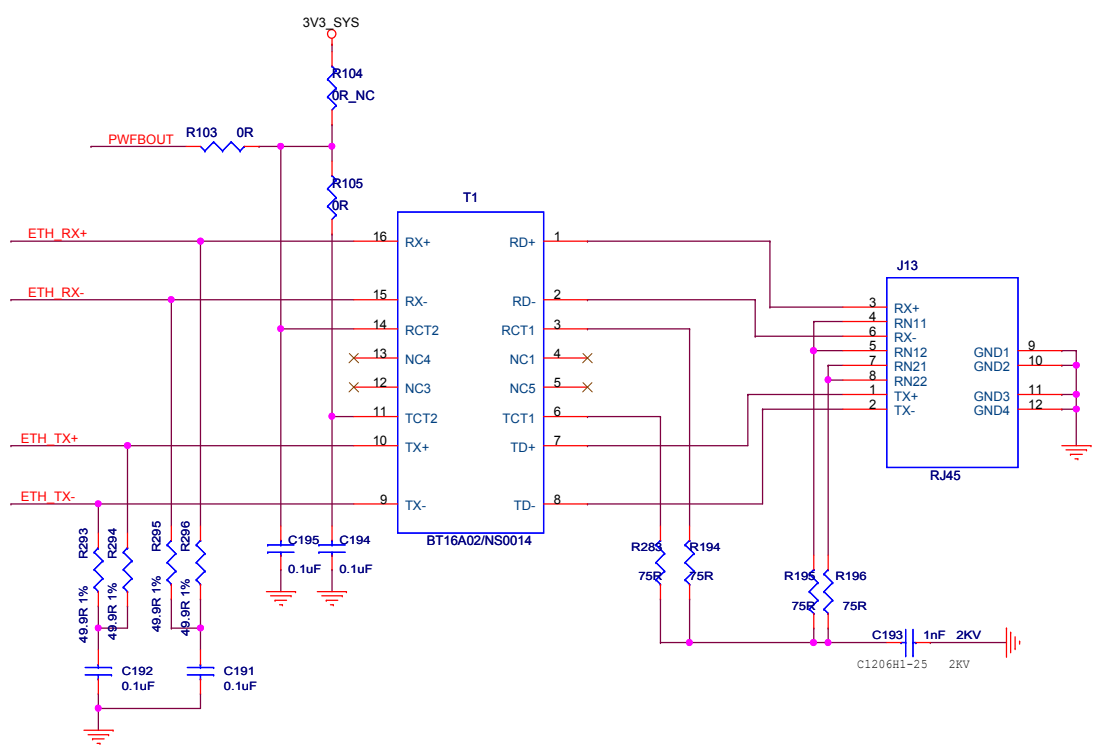
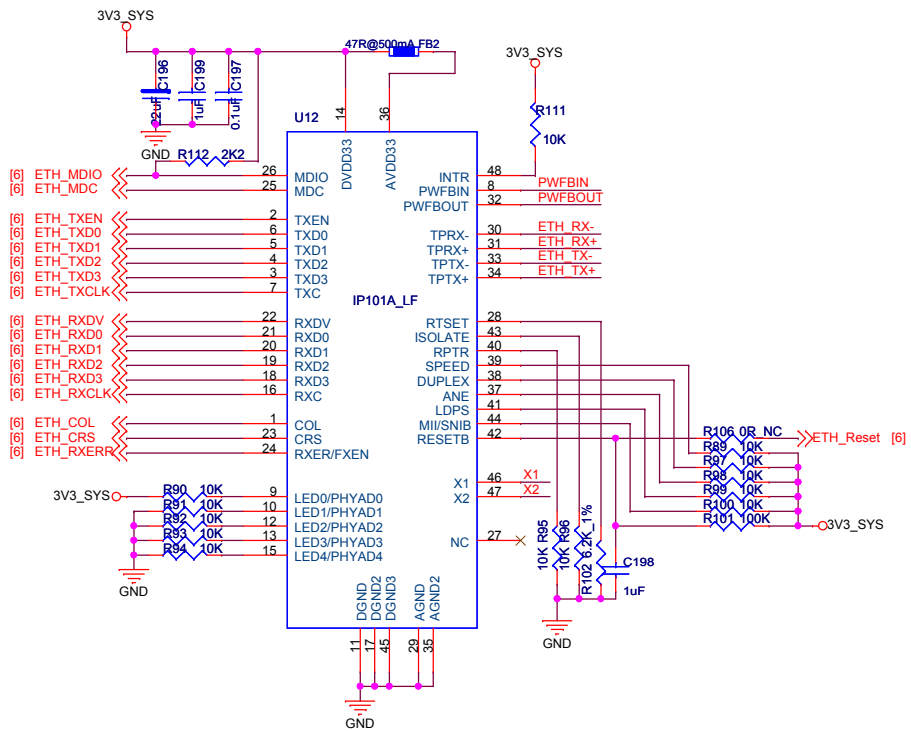
|        |                             |                |
|--------|-----------------------------|----------------|
| Title  |                             |                |
| PCDino |                             |                |
| Size   | Document Number             | Rev            |
| A4     | WIFI/USB                    | V2.0           |
| Date:  | Tuesday, September 17, 2013 | Sheet 11 of 14 |



|        |                             |                |
|--------|-----------------------------|----------------|
| Title  |                             |                |
| PCDino |                             |                |
| Size   | Document Number             | Rev            |
| A4     | SD/Debug                    | V2.0           |
| Date:  | Tuesday, September 17, 2013 | Sheet 12 of 14 |



|        |                             |          |          |
|--------|-----------------------------|----------|----------|
| Title  |                             | PCDino   |          |
| Size   | Document Number             |          |          |
| Custom | CONN                        | Rev V2.0 |          |
| Date:  | Tuesday, September 17, 2013 | Sheet    | 13 of 14 |



|       |                             |          |          |
|-------|-----------------------------|----------|----------|
| Title |                             | PCDino   |          |
| Size  | Document Number             | Ethernet |          |
| B     |                             | Sheet    | 14 of 14 |
| Date: | Tuesday, September 17, 2013 | Sheet    | 1        |
|       |                             | Rev      | V2.0     |