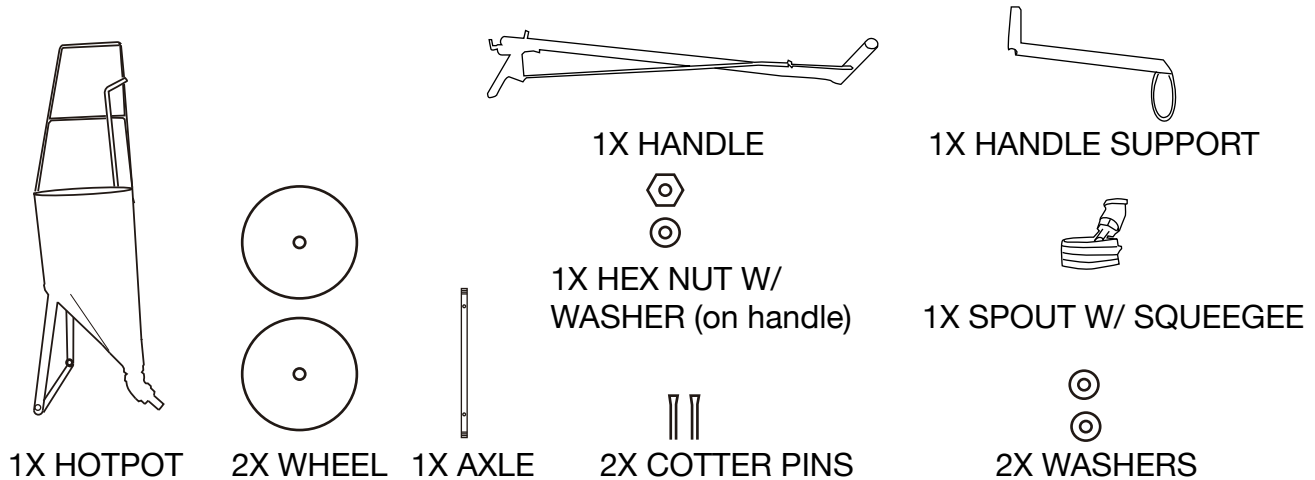
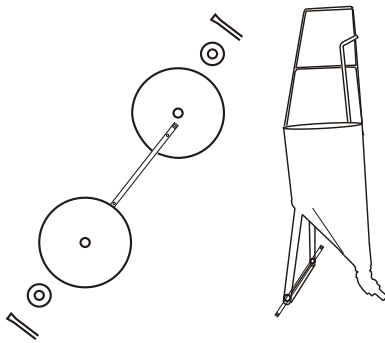


PARTS

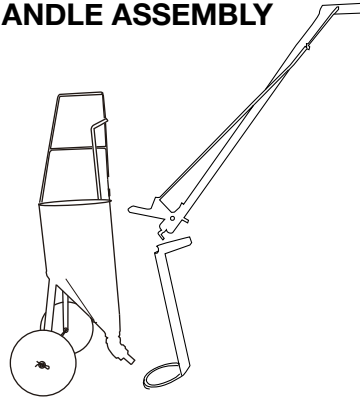


1. WHEEL ASSEMBLY



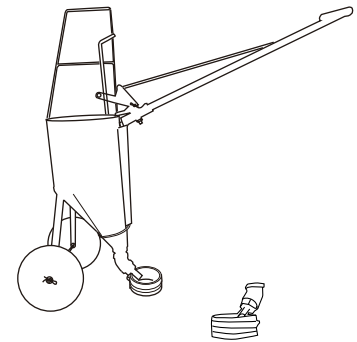
- Place axle through holes in HOTPOT legs.
- Place wheels on axle with hub towards inside and secure with cotter pins. (use washers for spacing as needed)

2. HANDLE ASSEMBLY



- Attach handle support to Hotpot by sliding ring over spout.
- Attach handle to Hotpot and secure it with nut from handle through handle support.

3. FINAL ASSEMBLY



- Add spout to bottom of Hotpot
- You are done!

For any questions or technical support
please visit www.pavemade.com
or call/text 323-553-4399.
We are standing by to help.