

# BOATS & HARBORS®

www.boats-and-harbors.com

\$4.00

FIRST OCTOBER ISSUE 2017 VOLUME 60 NO. 15



Covering The East Coast, Gulf Coast,  
West Coast & All Inland Waterways



PH: (931) 484-6100 • FAX: (931) 456-2337 • Email: [gdonnelly@boats-and-harbors.com](mailto:gdonnelly@boats-and-harbors.com)



MARINE & INDUSTRIAL SUPPLY, INC.  
HOUSTON, TX

REQUEST ONE OF  
OUR NEW CATALOGS  
[SALES@ANCHORMARINEHOUSTON.COM](mailto:SALES@ANCHORMARINEHOUSTON.COM)



## AUTHORIZED YOKOHAMA FENDER DISTRIBUTOR

- NEW, USED AND RENTAL  
OPTIONS AVAILABLE
- NEW HARNESS INSTALLATION  
OR HARNESS REPAIR  
WITH QUICK TURNAROUND
- FOAM AND PNEUMATIC  
FENDERS AVAILABLE

# LARGEST INVENTORY IN THE USA

IN STOCK & READY TO SHIP  
WORLDWIDE

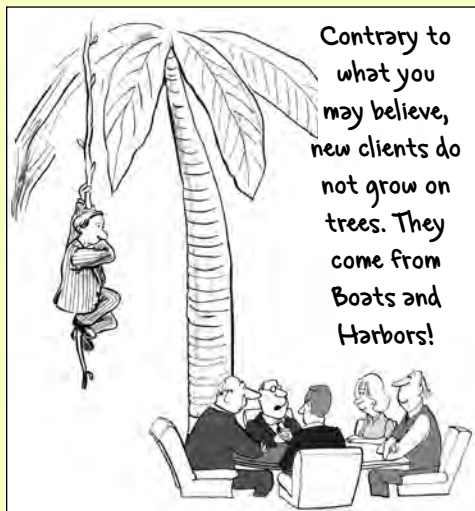
24/7

## NEW & USED

- Anchors
- Chains
- Fittings
- Towing
- Hardware
- Wire Rope
- Cordage
- Blocks
- Dock
- Fenders
- Buoys
- Spill Boom



(800) 233-8014 • [ANCHORMARINEHOUSTON.COM](http://ANCHORMARINEHOUSTON.COM)



Contrary to  
what you  
may believe,  
new clients do  
not grow on  
trees. They  
come from  
Boats and  
Harbors!

BOATS & HARBORS®  
P. O. Drawer 647  
Crossville, Tennessee 38557-0647 • USA



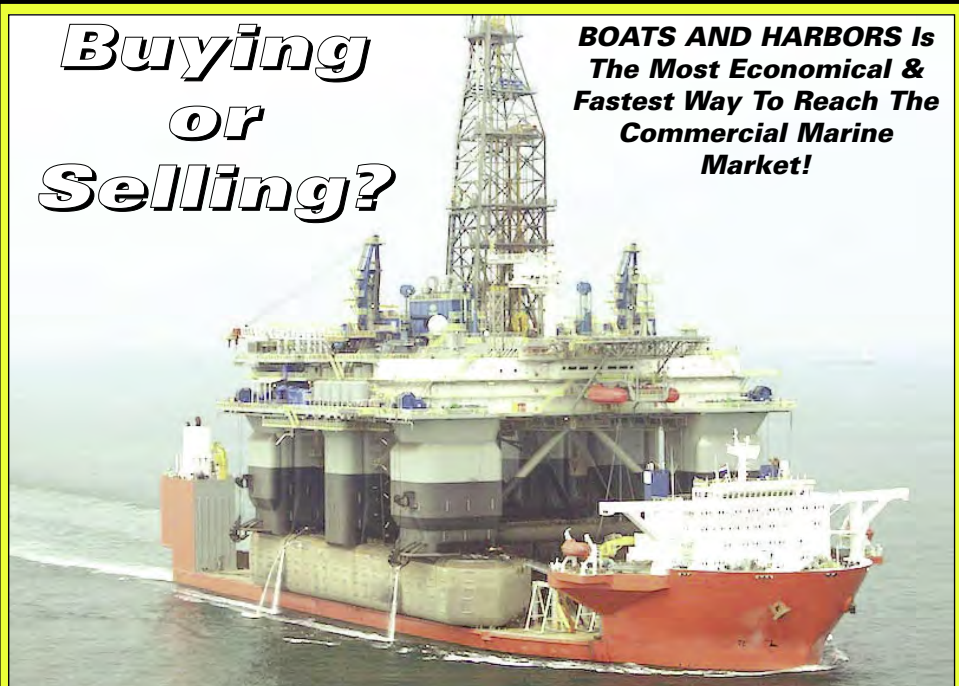
Contents of this publication either in whole or in part may not be reproduced without the express permission of the publisher.  
Copyright © 2017 Donnelly Advertising & Publishing.



BOATS & HARBORS Is Published 3 Times Each Month and Each Issue Goes by Direct Mail and Internet to Thousands of Individual Boat Owners, Builders and Operators, Tug, Pushboat and Barge Owners and Builders, Boat Yards, Commercial Fishermen, Packers and Processors, Divers and Diving Companies, Docks, Dredgers, Exporters, Ferryman, Freighters, Harbor Personnel, Longshoremen, Marinas, Steamship Companies, Marine Contractors, Off-Shore and Inland Oil Exploration Firms, Pile Drivers, Marine Salvage Firms, Ship Yards, Terminals, Towing Companies, Marine Warehouses, Government Agencies & other Related Businesses in the U. S. Possessions, Canada, Mexico & most other Foreign Countries. Boats and Harbors Is Published in Crossville TN 38557.

## Buying or Selling?

**BOATS AND HARBORS Is  
The Most Economical &  
Fastest Way To Reach The  
Commercial Marine  
Market!**



**Let The "Yellow Sheet" Optimize Traffic  
To Your Website! Advertise Today!**

**View Boats and Harbors Online at:**

**[www.boats-and-harbors.com](http://www.boats-and-harbors.com)**

**WATER COOLED EXHAUST MANIFOLDS**

For 3-71, 4-71, & 6-71 Detroit Diesel



DD-1-6710

- 3-71 & 6V71.....\$225.00
- 4-71 & 8V71.....\$250.00
- 6-71 & 12V71.....\$325.00
- 4" NPT EXHAUST END PLATE.....\$40.00
- Water Cover Plate (Specify Pipe Size).....\$9.00



**BARR MARINE BY EDM**  
 100 Douglas Way, P.O. Box 190  
 Natural Bridge Station, VA 24579  
 Toll Free (866) 255-9265 Fax (540) 291-4185



USCG Certified • 370 PASS • 3 Miles Off Shore • Partially Protected Waters  
 Huge luxurious salon and bar; 5 king staterooms with full heads, showers; KVH Satellite TV; State of the art galley; 3 Southbend conv. ovens, Jackson dishwasher, walk-in cooler, full laundry; Walk-in engine room and maint. shop; Can seat 370 for dinner; Enclosed party deck with full bar, 800 lb. ice maker; Deluxe pilot house w/full electronics, satellite navigations, auto pilot, radar, wing stations; Partially covered Sky Lounge has full bar; State-of-the-art security system; 2-375 Hp John Deere State-of-the-art electronic engines and ZF trans.; 2-99 kw electronic John Deere gens; 155 Hp bow thruster; bulbous bow, bilge keels; All keel cooled, 11 zone heat and air; 5 floor elevator; Hyd. spuds; 128' x 35' x 5'6" draft; 11 mph; under 100 gross ton; 17,000 sq. ft. deck; Amenities that Feadship, Christensen, Delta & Trinity don't include at a fraction of their cost.  
 Low maintenance! Call Captain Winston Knauss • 305-947-6868  
 St. Petersburg, FL • \$2,900,000 • That's just \$175 a S.F. deck area!  
[www.sirwinstonluxuryyacht.com](http://www.sirwinstonluxuryyacht.com) [www.winstonknaussmarine.com](http://www.winstonknaussmarine.com)

**CLOSING DATES • SECOND OCTOBER ISSUE 2017**

• To Be Mailed October 9th •

**FOR DISPLAY** October 4th  
 (9:00 A.M. C.S.T)

**FOR CLASSIFIED** October 6th  
 (10:00 A.M. C.S.T)

**LIFETIME CUSTOM ALUMINUM BOATS**



25' LANDING CRAFT

WORK BOAT 20', 24' - IN STOCK



DECK BARGE 24' HYDRAULIC CRANE

24' PATROL LANDING CRAFT - IN STOCK



30' LANDING CRAFT - IN STOCK

PILOTHOUSE 40'

~ Stock Workboats Available ~  
**Workboats and Landing Craft in Stock**

**LIFETIME BOATS, INC.**

14104 Hwy 84, Jonesville, LA 71343

Phone (318) 339-4007

[bodie@lifetymeboats.com](mailto:bodie@lifetymeboats.com)

[www.lifetymeboats.com](http://www.lifetymeboats.com)

**Vessels For Sale • Motivated Seller**  
**Shark Speed Boat / Thrill Ride**      **Circle Line XVI**



**Certified for 149 Passengers**  
**Fiberglass Construction**  
**Vessel is in Good Condition**  
**Built by Ocean Rocket in 1997**  
**Two Main Propulsion 3412**  
**Caterpillars 2100 HP**



Official # 514070. Built in 1934 as a US Coast Guard Cutter. Certified to carry 442 passengers, 5 crew and 6 persons in addition to the crew. Vessel has current Dry dock and safety inspection. Subchapter H. Note: Capable of carrying 600 Passengers, with new stability test. Main Engines repowered in April 2006. 2 - Cummins QSK 19 Tier 1. HP: 660 Each. STBD Eng. # 37222041. 9,105 Hours. Port Eng. # 37222042. 9,200 Hours. Gensets: 2 - Detroit 3-71 DC. 1 - Detroit 3-71 A/C 30KW.

**Please Contact Bobby Rajkumar**  
**[Brajkumar@NYCL.COM](mailto:Brajkumar@NYCL.COM) or (212) 630-8186**

# LOOKING AHEAD

## AHEAD TANK™

WILL BE THE **LAST** SEWAGE TREATMENT SYSTEM YOU WILL EVER BUY

USCG Certified Type II Marine Sanitation Device

In Compliance with Title 33 CFR 159.015 for Inspected and Non Inspected Vessels

Also Accepted Worldwide in accordance with the NEW 2016 IMO Resolution MEPC.227 (64)



Model AT-12T

**#1 in the #2 Business**

**NEXT GENERATION TECHNOLOGY**

Sewage Treatment Systems, Products, Parts & Supplies



FOR MORE INFORMATION

Phone: 337-330-4407

Email: headflusher@aheadtank.com

VISIT US ONLINE:

www.aheadsanitationsystems.com

facebook.com/aheadsanitationsystems



### DON'T LET MOTHER NATURE AFFECT YOUR BOTTOM LINE

Our custom-built fabric structures are designed to withstand the harshest conditions, while ensuring that your business needs are met. Everything from covering large refit projects to storing equipment and cargo is a cinch with a Big Top Fabric Structure.

The high clearance and open design of our shelters make them ideal for the marine industry.

- Boat Fabrication/Refit
- Paint & Blasting
- Warehouse
- Equipment Storage

**BIGTOPSHELTERS.COM**  
**1.800.277.8677**

### EQUIPMENT

- ✓ TUGS
- ✓ ABS UNRESTRICTED HOPPER BARGES

### SERVICES

- ✓ MARINE TRANSPORTATION
- ✓ PROJECT CARGO
- ✓ SHIP ASSISTS
- ✓ ICE BREAKING
- ✓ SALVAGE

OPERATING ON THE GREAT LAKES AND INLAND RIVER SYSTEM



FOR MORE INFORMATION, CONTACT **SETH ANDRIE AT**  
**(231) 220-5530 OR SETH@ASHTONTUGS.COM**  
OR VISIT **ASHTONTUGS.COM**

### Southern Marine Services Inc.

Email: [southernmarineservicesinc@gmail.com](mailto:southernmarineservicesinc@gmail.com)

Website: [www.Southernmarineservices.com](http://www.Southernmarineservices.com)

(321) 536-4855 / (321) 501-5200

**SE HABLA ESPANOL** WE WANT YOUR BUSINESS

### FOR SALE 2 High Speed Pass Ferries Cats



All Alum. Construction Fjellstrand  
1990 Cadillac Vessels • 132' x 32' x 6'  
Loaded • Great for Island Service • 282 Pass  
Speed 25-36 Kts. • Jets Zero Hrs.  
on Engines • Totally Rebuilt DNV Classed  
Have Crew Will Travel

**These Two Vessels Are The Best Deal on the Market**

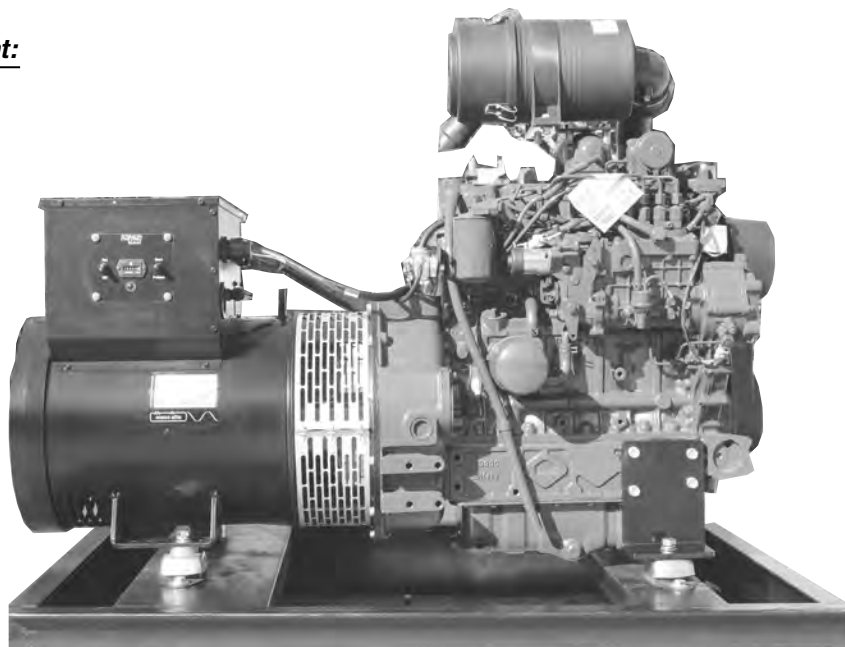
**ONLY \$750,000.00 Each**

Located USA East Coast  
See Our Web Site

# Kubota

### 1800 RPM Standard Equipment:

- Kubota Diesel Engine
- 12 Volt Electric Starter
- 12 Volt Battery Charging Alternator
- Automatic Engine Shutdown for Low Oil Pressure / High Coolant Temperature
- Fuel Filter
- Built in Fuel Transfer Pump
- Dry Air Cleaner
- Heavy Duty Steel Frame with Isolation Mounts
- High Ambient Radiator Cooling
- MeccAlte Industrial Generator
- Brushless Exciter
- Unit Mounted Solid State Voltage Regulator
- Ship-loose Muffler with Raincap
- Toggle Switch Start
- Engine Hour Meter
- 3 Year Kubota Engine Warranty
- EPA Tier 4I Compliant



**KK4-50.0 kW**

### Optional Equipment:

- Sound / Weather Enclosures
- Auto Start / Stop
- ATS
- Fuel Tanks
- Block Heater
- Critical Silencers
- Gauge Panels
- RACOR Filters
- Circuit Breakers

## KEEL COOLED MODELS

MODEL	PRICE	MODEL	PRICE
DRY EXHAUST MANIFOLD			
KK3-7.0KW	\$ 5,891	KK4-21.0KW	\$ 9,634
KK3-8.5KW	6,321	KK4-25.0KW	9,955
KK3-9.5KW	6,542	KK4-30.0KW	10,406
KK4-12.5KW	7,245	KK4-40.0KW	14,506
KK4-15.0KW	8,306	KK4-50.0KW	15,708
KK4-17.5KW	8,511	JD4-60.0KW	17,627

Southeastern Power Products is the Authorized KUBOTA Industrial Engine America Distributor for the State of Florida, Bahamas and the Caribbean.

Supplying *Genuine KUBOTA Parts* and *factory Remanufactured components.*

### WE SHIP GENERATORS WORLDWIDE RADIATOR COOLED GENERATORS

Model	KW Rating	Net Price
SEP 7.0I	7.0 KW	6,285
SEP 8.5I	8.5 KW	6,631
SEP 9.5I	9.5 KW	6,925
SEP 12.5I	12.5 KW	7,686
SEP 15.0I	15.0 KW	8,474
SEP 17.5I	17.5 KW	8,973
SEP 21.0I	21.0 KW	9,755
SEP 25.0I	25.0 KW	10,353
SEP 30.0I	30.0 KW	10,983
SEP 40.0I	40.0 KW	12,579
SEP 50.0I	50.0 KW	13,934

## LOWBOY

### GL SERIES

GL7000 - USA \$4,600  
GL11000 - USA \$5,800  
GL14000 - USA \$8,950




**COMPONENTS AVAILABLE**

**SOUTHEASTERN POWER PRODUCTS**

2880 Hammondville Road,  
Pompano Beach, FL 33069  
Phone: (954) 979-5899  
Fax: (954) 979-4349


[www.southeasternpower.com](http://www.southeasternpower.com)

Prices and Specifications  
Subject to Change




**ALUMA MARINE**  
& Fabrication, LLC


**Quality Custom Built Aluminum Workboats & Pleasure Craft**  
Located In Harvey, Louisiana Just South Of New Orleans.




27' Harbor Patrol Vessel




75' Quick Response Fire Fighting Vessel




35' Collar Style Supply Vessel



38' In Shore Supply Vessel



30' Aluminum Supply Vessel



30' Collar Style Supply Vessel

**Aluminum Never Looked So Good!**

We Also Offer A Variety Of Services Including:

- Repairs
- Conversions
- Sandblasting & Painting
- Aluminum & Steel Fabrication
- Dockside Service Including A 65 Ton Crane
- Experience With State & Local Government

**Let Us Build A Boat For You!**  
Contact Darren or Chad at (504) 347-7898  
Visit us on the web at [WWW.ALUMAMARINE.COM](http://WWW.ALUMAMARINE.COM). For further info, contact us by email at [chad@alumamarine.com](mailto:chad@alumamarine.com) or [darren@alumamarine.com](mailto:darren@alumamarine.com)



**BAIER**  
Hatch Company, Inc.

**THE STRONGEST HATCH TO EVER HIT THE DECK!**



**ROUNDS**



**OVALS**



**MULTI-BOLT MANHOLES**



**SQUARES**

Hatches Available in Cast Aluminum & Cast Steel

**TO ORDER**

**800 - 455 - 3917**

Seattle, WA • Costa Mesa, CA  
[www.baiermarine.com](http://www.baiermarine.com)

**For Sale Only**  
Located in Baltimore, MD



**140' x 70' x 12' Army YD Barge**  
w/100 Ton Whirley • \$1.1 Million USD

---

**FOR SALE / LEASE**

- Truckable • Tug Boats \$75k-\$275k
- Crewboats - \$35k-\$275k
- Landing Craft - \$65k-\$285k
- Skimmer Boats - \$49k-\$150k
- RIB - \$25k-\$60k
- All w/- w/o Power
- Heavy Equipment • Trucks • Trailers
- Race/ Pleasure Boats

**Please Contact: Kevin 410-977-0028**  
[smithequipment@verizon.net](mailto:smithequipment@verizon.net)  
More equipment available at [www.crewboatstogo.com](http://www.crewboatstogo.com)

**Marine Equipment For Sale**  
From Maine Coast Marine

Phone: 207.266.0178  Email: [BJGrindle@gmail.com](mailto:BJGrindle@gmail.com)



**Model Bow Tug**  
1000 Horsepower  
Year: 1999 • Length: 44'  
Beam: 15' • Draft: 6'

Twin Detroit Diesel Engines.  
Twin Screw. 3 Ton Knuckle Boom Crane.  
Tow Bit, Teaxs Bar. Accommodation,  
200 Gallons Heated Fresh Water, Shower,  
Galley, 950 Fuel Capacity. Ready For Work.  
Fresh Exterior Paint  
(In Progress, Photo Is Current).

**ASKING \$175,000**



**2006 58' x 24' x 5' Deck Barge**  
With 35' Spuds

**ASKING \$37,500**



**Pair Of Larc-LX**  
(Lighter, Amphibious Resupply, Cargo) • Hulls #52 And #53

**FOR SALE TOGETHER OR SEPARATELY \$50,000 EA**



**96' x 32' x 6' Deck Barge** • 65' Spuds, Internal Hydraulic Power, Fuel Storage, Office, Tool Room, And More.

**ASKING \$150,000**

1966 Link-Belt LS-1088 Crawler Crane, Completely Rebuilt 2 Years Ago, 3,000 Original Hours. Plumbed For Pile Driving.

**ASKING \$35,000**

**FOR SALE SEPARATELY OR TOGETHER**

# MIDSHIP MARINE INC.

## MIDSHIP MARINE

OUR QUALITY SAYS IT ALL!  
WHEN IT COMES TO BUILDING ALUMINUM BOATS  
WE HAVE NO LIMITATIONS

• Passenger Vessels • Crew Boats • Pilot Boats • Patrol Boats • Dive Boats • Water Taxis • Fishing Boats



210' x 32' HIGH SPEED CREWBOAT



95' OIL SPILL FRV



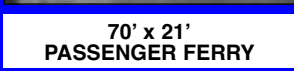
65' SAILING CAT - 120 PASS



42' CREWBOAT



97' EXCURSION VESSEL



70' x 21' PASSENGER FERRY



90' CATAMARANS - 250 PASS



55' PASSENGER HEADBOAT - 49 PASS



55' SEMI SUB - 49 PASS



58' ALUMINUM VESSEL

MIDSHIP MARINE ALSO SPECIALIZES IN CONVERSIONS OF CREW BOATS INTO: DIVE VESSELS, CHARTER YACHTS, PASSENGER FERRIES, ETC. W/LOW PRICING & HIGH QUALITY. LET US DESIGN & QUOTE YOUR NEXT VESSEL.

MIDSHIP MARINE will quote on building any vessel to meet your specific needs. All work is done at our yard in Harvey.

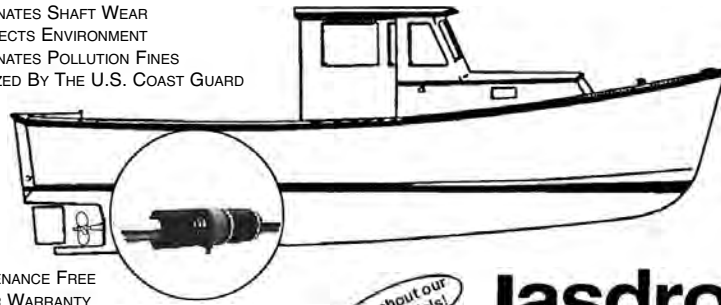
CONTACT MIKE or RANDY - PHONE (504) 341-4359 • FAX (504)-340-8997

Email: Midboats@aol.com • Website: www.MidshipMarine.net

MAILING ADDRESS: P.O. BOX 125, HARVEY, LOUISIANA 70059

- RATED "BEST" BY POWERBOAT REPORTS
- REPLACES STUFFING BOX
- DRIPLESS
- ELIMINATES SHAFT WEAR
- PROTECTS ENVIRONMENT
- ELIMINATES POLLUTION FINES
- UTILIZED BY THE U.S. COAST GUARD

The most advanced.  
The most reliable.



- MAINTENANCE FREE
- 3 YEAR WARRANTY
- SINCE 1975
- METRIC AND CUSTOM SIZES AVAILABLE
- FROM 3/4" TO 8" SHAFT SIZES
- MADE IN USA
- 3 MODELS TO CHOOSE FROM
- COMPLETE LINE OF RUDDER SEALS
- PRICES STARTING AT \$95

Ask about our fall specials!

**Lasdrop**  
SHAFT-SEAL

nautical 11x SPECIALTIES 1-800-940-SEAL

3615 Dove St., Port Huron, Michigan 48060 USA

Phone: 810.388-9718 • Fax: 810.388-9753

Visit Us Online At: [lasdrop.com](http://lasdrop.com)

**COOPER CAPITAL**  
SPECIALTY SALVAGE, LLC

860-395-4745

[info@cooperss.com](mailto:info@cooperss.com)

The complete salvage management company  
Building relationships, not transactions

[www.cooperss.com](http://www.cooperss.com)

Register to bid and receive information via email

### 2005 Norpower 25' Seismic Workboat



Has 6BT5.9M Cummins Diesel Eng.,  
Original purchase price at \$350K+  
Asking \$150,000 OBO  
Low Hours, Exc. Mechanical Cond.  
(208) 664-8215

### 44' Tempest Former USCG F.C.I Chase Boat



Twin Cat 3126, 420 HP  
300 Hrs. Since New  
Surface Drives, Runs Good  
Needs Cosmetic's  
**\$75,000 OBO**  
**(772) 473-6070**

## LEE FELTERMAN AND ASSOCIATES, LLC

Ph: (985) 397-2848 • Website: [www.leefelتمان.com](http://www.leefelتمان.com)

### MARINE EQUIPMENT FOR SALE

#### 120' x 24' x 10' Aluminum Crew Boat



Main Engines: (4) Detroit 12V71 TI  
Passengers: 50 • Speed: 20 Knots  
CB# 355 • Asking Price: \$525,000

#### 65' x 24' Living Quarters / Houseboat



30' x 16' Generator Barge  
26 Beds, 6 Cabins • (2) Generators  
New Steel Bottom

May 2017  
HB# 242 Package  
Price: \$225,000



#### 115' x 24' Utility Vessel

Built: 1976 • Berths: 12  
Main Engines: (2) Detroit 16V-92  
Deck Space: 55' x 24'  
Running Condition • UTB# 186  
Asking Price: \$160,000

#### Aluminum V-Bottom Deck Boat

47' x 10' • Year Built: 2011  
Main Engines: (2) 300HP  
Yamaha 4-Stroke • CB# 242  
Asking Price: \$120,000



#### Fast Rescue Craft

Norsafe 7.5m Magnum  
Hamilton Jet Drive  
Brand New, 0 Hours  
Aluminum Cradle

Contact For More Information



#### Truckable Barges New and Used

Multiple In Stock  
All Price Ranges  
Bulk Heads • Spud Guides  
Blasted & Painted  
Pin Together, Etc  
Very Reasonable Prices  
Contact for more info.



### UNDERWATER LIFT BAGS ENGINEERED FROM THE BOTTOM UP!

- OPEN BOTTOM AND ENCLOSED LIFT BAGS FROM 100 LBS TO 50 TONS
- CABLE AND PIPELINE FLOATS
- WATER LOAD TEST BAGS
- LIFE BOAT TEST DAVIT TEST KITS
- PIPE PLUGGERS - INFLATABLE PIPE STOPPERS
- INFLAT-A-TANK - LIQUID STORAGE BLADDERS
- FEND-AIR™ - INFLATABLE MARINE FENDERS
- RENTALS AVAILABLE

• MADE IN USA • ALL MAJOR CREDIT CARDS ACCEPTED • IMCA COMPLIANT

P.O. Box 2030 • North Kingstown, Rhode Island 02852 USA

Phone: (401) 884-8801 • Toll Free: (800) 466-6962 • Fax: (401) 884-8868

Website: [www.SUBSALVE.com](http://www.SUBSALVE.com)

E-mail: [Richard@Subsalve.com](mailto:Richard@Subsalve.com)

TO REDUCE, RECOVER  
AND SAVE ON  
ELECTRICITY COSTS,  
JUST CALL LEAH.



Leah, the Hialeah Meter Maid



Remanufactured meters with everything  
you need to install on existing  
power box or pedestal\* now only **\$37.99**

- Meter (Single Phase) with 2 Year Guarantee
- New Nipple
- New Meter Socket
- New Mounting Hub
- New Sealing Ring
- Security Seal

\*We have power boxes and pedestals  
should you need them as well.

120/208V meters also available

**HIALEAH METER**

Meters you can believe in since 1954.

[www.hialeahmeter.com](http://www.hialeahmeter.com) • 800-654-0821 • 800-521-9925

**Opdyke Inc.**  
Specialized Trucks & Equipment Sales  
3123 Bethlehem Pike, Hatfield P.A. 19440  
Sales@Opdykes.com  
DESDE MEXICO: 001-215-721-4440  
866-204-2545

**www.Trucks123.com**

**100+ SPECIALIZED TRUCKS IN STOCK!**  
**20 TANDEM KNUCKLEBOOM TRUCKS IN STOCK!! \$34K-\$100K**

1999,500 8906  
**13 TON**  
242,392 mi.

2005 MACK CV713; A1-400 6 CYL (400 HP); FULLER 8LL; A/C; 73,280 GVW. 2004 HIAB 300-4 KNUCKLEBOOM; 13 TON; RADIO REMOTES; 22'6" STEEL FLATBED.  
**UNMOUNTED KNUCKLEBOOMS**

20+ US6D \$9,500 & up

HIAB • PALFINGER • EFFER • FASSI • ETC.

164,500 8803  
**22 TON**  
112,401 mi.

1996 MACK RD688S; E-7400 (400 HP); FULLER 8SP; A/C; 73,280 GVW. MANITEX CRANE MODEL 2284; 22 TON; 94' HOOK HT; 20'6" WOOD FLATBED.

**10+ FUEL TRUCKS IN STOCK!**  
**BROKERS WANTED**  
we pay competitive commissions on sales!

**25' NAVY PERSONNEL/WORKBOAT**



671 Detroit V Drive - \$12,500  
(208) 664-8215



**Boat 25'6" x 8'7"**  
Draft 40" • Prop 35"  
3 Blade  
Eye Level Inside Of Wheelhouse  
8'6" On Top  
Wheelhouse 14'6"  
671 Detroit  
2 to 1 Reduction

**Asking Price: \$32,600**  
Call Petsy Lane • (912) 858-3764

**FOR SALE**  
**900 HP (1981)**  
**Twin Screw Push Boat**



**\$650,000 Negotiable**

(2) Newer 3406 Cat Diesel Engines and 2-30 KW Kubota Generators, new electronics in wheelhouse, complete interior remodel, (2) New bow winches, washer and dryer, all new appliances in galley, has brass wheels on and a spare set of SS wheels ready to go, (2) spare shafts ready to go, (1) spare rudder ready to go. Super clean, powerful, shallow draft tug. Located Morgan City, LA.

Call Mike @ (337) 315-9871 or  
Email: [ROYALMARINE53@aol.com](mailto:ROYALMARINE53@aol.com)

**FOR SALE**  
**1994 - 85' ALUMINUM YANK**



150 Passenger. Complete overhaul in 2013 by Yank Marine. 3X John Deere 650 HP 2.5:1 ZF gears, 1,700 hrs since new. 2 Kubota 33 KW generators. Excellent condition.

SERIOUS INQUIRIES ONLY  
Call Dan (718) 877-5815

**Central Boat Rentals, Inc.**  
Morgan City, LA

**Ocean Towing:** 2000 HP Push Boat  
10K & 30K BBL Double Skin Oil Barges

(985) 384-8200 [www.centralboat.com](http://www.centralboat.com)

**"Fishers underwater video cameras brave the dangerous sites so you don't have to"**

-Jack Fisher, Founder



**SeaOtter-2 ROV**  
Only \$20,995



Optional Manipulator Arm

Control Box with Built-in Monitor

NEW LED LIGHTS

Fishers underwater video products are cost effective tools for underwater search and inspection. The line includes low-cost mini cameras, dropped video systems, towed cameras, and powerful ROVs with optional scanning sonar onboard. Fishers has an underwater camera that is right for your project and your budget.



**JW FISHERS**

Optional **SCAN-650** Scanning Sonar



Location marker  
Simulated Drowning Victim



Car on river bottom



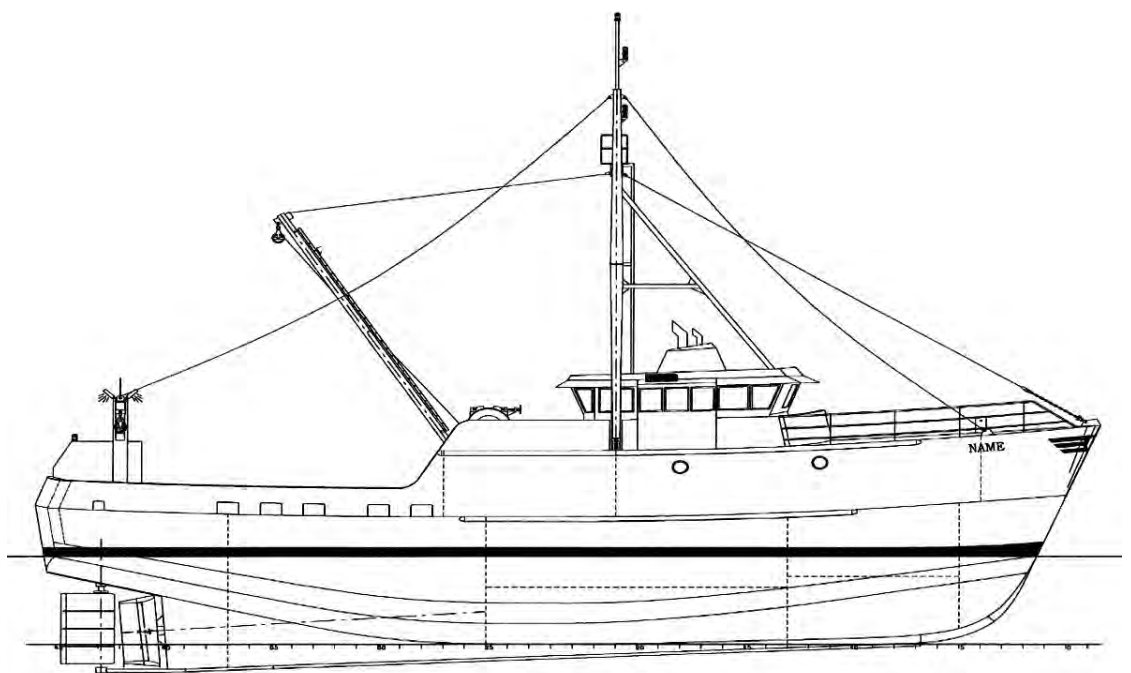
Optional **RMD-1 Remote Metal Detector**



Optional \$12,995

1953 County St., E. Taunton, MA 02718 USA • (800)822-4744 (508)822-7330 • FAX: (508)880-8949 • email: [info@jwfishers.com](mailto:info@jwfishers.com) • [www.jwfishers.com](http://www.jwfishers.com)

**STEINER CONSTRUCTION COMPANY, INC**  
**Bubba Steiner, Owner**  
8690 Hemley Street - P. O. Box 609 - Bayou La Batre, AL 36509  
*Quality Construction, Competitive Prices, Outstanding Service*



95' Commercial Fishing Vessel Being Built On Speculation.  
Being Built As A **NON-CLASSED** Vessel (Pre-Dates July 2013 Requirements)  
Single Screw, 1000 HP  
TIER III Cummins or Mitsubishi Engine

**Steiner Construction has NEW TIER 3**  
**Caterpillar, Cummins and Mitsubishi Engines Available**  
**Engines Can Be Installed In Push Boats, Fishing & Research Vessels**  
**Engines Available for New Construction or Re-power**  
**Engines Can Be Certified ABS**  
**400MT Travel Lift for Repair / Conversion / New Construction**  
251-824-2320 • [www.steinermarine.com](http://www.steinermarine.com) • [steinermarine@yahoo.com](mailto:steinermarine@yahoo.com)

# TheGPSStore.com

Automotive ■ Outdoor ■ Marine Electronics

Toll Free 1-800-477-2611 • Check Out Our Weekly Web Specials



**Furuno 1815 Color 36nm Radar**

Furuno 1815  
#FU1815 **\$1995<sup>00</sup>**

Furuno's 1815 Radar includes an 8.4" Color Display and a 4kw Dome with 36nm range. Low power consumption features include Target Tracking, True Trail Mode and True View mode.





**Furuno GP39 GPS/WAAS Navigator**

Furuno GP39 GPS  
#FUGP39 **\$395<sup>00</sup>**

Furuno's GP39 GPS features a 12 Channel receiver with integrated SBAS (WASS/EGNOS/MSAS) technology and a 4.2" LCD Color Display. Mark up to 3,000 track points, 10,000 waypoints and 100 routes (each with up to 30 waypoints). The GP39 can also display Loran TD Position Format.



## SPECIAL PURCHASE




**GPSMAP 820xs Chartplotter / Sounder**

- Built in sonar with DownVu Transom Mount Transducer included.
- Bluechart G2 Coastal US Chart and Worldwide BaseMap included.
- Dual SD Card Slots for added mapping.
- NMEA 0183 and NMEA 2000 Marine network connectivity.
- Compatible with GCV10 for 500 feet left to right SideVu Scanning.
- 8" Keyed Display for easy operation.

**Includes Transducer & G2 Chart!**

GPSMAP 820xs with Transducer and Chart #GA01180S **\$679<sup>95</sup>**



**Sitex Trawl Plot 12SD**

Sitex Trawl Plot 12SD  
#SITPLOT12 **\$2099<sup>00</sup>**

The Sitex Trawl Plot 12SD is a work horse, commercial chartplotter built with a 12.1" X VGA display with 800 x 600 pixel count. The Trawl Plot offers easy operation, unlimited storage, and GPS WAAS positioning that can expand into an all in one GPS Chart/Fishfinder, radar when optional sensors are added.




**McMurdo SmartFind S20 SRS AIS**

McMurdo SmartFind S20 SRS AIS  
#MC98001002A **\$199<sup>95</sup>**






The McMurdo Smartfind S20 Man Overboard Device offers manual or automatic activation when fitted to a compatible lifejacket and inflated. The S20 will send your position and Automatic Identification System (AIS) information to AIS equipped vessels within range in the event of a man overboard situation. Minimum 24 Hour Transmission and LED Flashing Light.


**Standard Horizon HX400is VHF**

The HX400is is an Intrinsicly Safe, Submersible 5 Watt VHF radio with 40 programmable land mobile channels. User selectable 5 or 1 Watt power and noise cancelling microphone. The 2400mAh Lithium-Ion battery provides about 17 hours of talk.

Standard Horizon HX400is  
#STHX400IS **\$249<sup>95</sup>**

Standard Horizon CMP460 Intrinsicly safe Speaker Mic  
#STXCMP460 **\$52<sup>95</sup>**



**Icom IC-M506 VHF Radio**

Icom IC-M506 Black Case  
#IC50601 **\$329<sup>95</sup>**

Icom IC-M506 AIS Black Case  
#IC50621 **\$509<sup>95</sup>**




A large dot matrix display, built-in DSC, clear audio and Command Mic IV second station compatibility. The M506 is also available with an integrated AIS receiver and NMEA 0183/2000 Protocols.

## Your Best Source for Discount Marine Electronics!



Call for our Latest Catalog!

Or check out **TheGPSStore.com** to see our complete selection of marine electronics from all the major manufacturers.



**TheGPSStore.com**  
Automotive ■ Outdoor ■ Marine Electronics

The GPS Store, Inc.  
6899 Beach Drive  
Ocean Isle Beach, NC 28469

**Same Day Shipping!**  
Order by 4 PM Eastern

**Friendly Customer Service**

**1-800-477-2611**



# MARINE CONSTRUCTION EQUIPMENT

**CRANE BARGES - DECK BARGES  
MATERIAL BARGES - FOR LEASE**



5 Jones Street, Dubuque, IA 52001  
Office: (563) 583-0556 • Fax: (563) 556-2293  
[sunflower-enterprises.com](http://sunflower-enterprises.com)

# For Sale



Tug American Challenger: 111' x 30' x 15.5', 3,000 BHP, 60.75 Ton Bollard Pull  
ABS Hull & Machinery, A-1 Towing All Oceans; Located PNW. \$2.0M



Crane Barge AMC-160: 160' x 51' x 13', 4500 Manitowoc Rated 100 Tons  
Max Boom Ht 167'; Located Hawaii. \$1.5M



Tug American Patriot: 121' x 34' x 18.8', 4100  
BHP, 63 Ton Bollard Pull,  
ABS Hull & Machinery, A-1 Towing All Oceans,  
Located GOM. \$1.5M



(3) Hypertech 5000: Multi-place  
Hyperbaric Medical Chambers  
\$150K ea/ Best Offer

(2) Caterpillar D399TA Marine Engines, 1125 HP @ 1200 rpm. Standard Rotation. Best Offer.

Contact: American Marine Corporation  
James Bobbitt (562) 233-9468 or Robert Shahnazarian (310) 345-5252

**TOUGH  
Kubota  
PARTS**

LARGE INVENTORY  
SAME DAY SHIPPING

**KUBOTA  
Reman**

STARTERS / ALTERNATORS / TURBO'S

**LIST OF SPECIFICATIONS**

Kubota Diesel Engine
1800 RPM Generator Single or 3 Phase
Brushless Exciter
Automatic Voltage Regulator
High Temp and Low oil shutdown system
Air Cleaner
Belt Guard
Hour Meter
Key Switch
Stable Flex Neoprene Vibration Isolators
Fuel Filter
Mechanical Fuel Transfer Pump

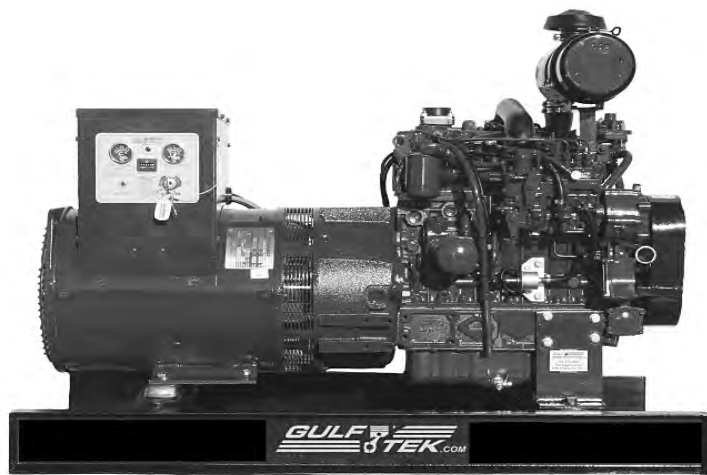
**OPTIONAL EQUIPMENT ACCESSORIES**

Weather Proof Enclosures
Drip Pan For Skid
Fuel Tanks
Circuit Breakers
110/220 Outlets
Fuel Water Separators
Deluxe Gauge Panels
Extended Deluxe Gauge Panels to 50 ft.

# Kubota

**AUTHORIZED DISTRIBUTOR  
ENGINES / GENERATORS / PARTS**

**(800) 925-4966**



Marine and Industrial Generators

**KEEL COOLED MODELS**

MODEL	KW	PRICE
KG8KWKC-ECS	8	\$5,920.00
KG10KWKC-ECS	10	\$6,130.00
KG12KWKC-ECS	12	\$6,800.00
KG15KWKC-ECS	15	\$7,810.00
KG17KWKC-ECS	17	\$8,050.00
KG20KWKC-ECS	20	\$9,075.00
KG25KWKC-ECS	25	\$9,355.00
KG30KWKC-ECS	30	\$9,810.00
KG40KWKC-ECS	40	\$12,715.00
KG50KWKC-ECS	50	\$13,860.00

\*\*\*TIER 4 GENERATORS AVAILABLE\*\*\*

**GL SERIES  
LOWBOY II**

GL7000-USA	\$4,650.00
GL11000-USA	\$5,750.00
GL14000-USA	\$8,950.00



Pressure Washer  
3K to 10K Cold Water  
3K to 5K Hot Water



Trash Pumps 3 to 6 Inch



HPU Units

**GULF ENGINE.COM**

**GULF & TEK.COM**

**CAVI & TEK.COM**

**HYDRA & COMP.COM**

**RE & RENT**

2306 Engineers Road, Belle Chasse, LA 70037

Office: (504) 393-1701 \* Fax: (504) 393-1627 \* Toll Free: (800) 925-4966

## Harbor / Coastal Tug For Sale



102 x 30 x 13 M.E. 16-645 Turbo Falk Gear, 4:1 ratio. 110 x 80 S.S. Prop. 6-71 Gen Sets. 2000 gal / minute. Fire monitor, full electronics, C.G. inspected, Boat in excellent shape.

**Priced To Sell • Call (207) 780-8847**

## USED & REBUILT DIESEL ENGINES

Eugene & David Evans of Evans Boats, Inc.

Engines Available Include:

3208 210HP Rebuilt • 3208 320HP Rebuilt • 375 Rebuilt  
375 Takeout Runs Great • 453 Detroit • 353 Detroit  
Volvo Sterndrive Package Takeout

CALL FOR PRICING AND AVAILABILITY... GROWING INVENTORY!

CALL EUGENE EVANS @ (443) 783-0529

## 2005 Stardust • 80' Long



2003 Zodiac

(2) Diesel Cummins Engines, Westerbeke Generator, Bow/Stern Hydraulic Thrusters, 4 Bedrooms - Living Room - 3 Bathrooms - Full Kitchen - Dining Room - Lots of Storage, Includes 85' Slip located at Harbor Point Yacht Club (private marina) in West Alton, MO.

Can send more photos upon request.

Asking \$350,000.00 - Negotiable

Serious Inquires Only - Contact Bryant at 314-574-0957  
or nharvath@yahoo.com



Call Us Today!

314-388-9968

800-381-9968

www.humcomarine.com

1074 Kenran Industrial Blvd.  
St. Louis, MO

WINCHES

SEARCHLIGHTS

DECK FITTINGS

- Large Fully Stocked Warehouse
- Quality Workboat Equipment Since 1966
- Experienced Sales Team
- Excellent Customer Service

\*New customers mention this ad for your  
FREE gift and catalog with purchase.  
Limit 1 per customer. While supplies last!



# STERLING EQUIPMENT

## TUGBOATS FOR SALE

Tug "Jay Michael"

68' x 24' x 7'

MODEL BOW TUG FOR SALE



98 Gross Tons • Official Number: 630308  
Built 1980 - Gibson, LA • 2 CAT 3508 - (2200 HP)  
Twin Disc MG 540 Reverse Reduction Gear  
(2) John Deere 4045TFM75 • 65KW Generators  
Towing Winch • Smatco Winch • DPS44 • Cable Size: 1 1/8"  
36,700 Gal. Fuel Capacity • Location: New York  
**\$500,000.00**

Tug "Lynx"

73.5' x 25' x 9'

MODEL BOW TUG FOR SALE



119 Gross Tons • Official Number: 507788  
Built 1967 - Tacoma, WA • \*Rebuilt - 1990  
(2) CAT D398 Engines - (1800 HP) • CAT 3192 reduction gear  
(2) John Deere 4045TFM75 - 65KW Generators  
24,000 Gallon Fuel Capacity • Quarters for 5 crew • Location: Quincy, MA  
**\$400,000.00**

Financing Available For Qualified Buyers • Lease Purchase Options Also Available



Whether you have been working on the water for years or starting your first job, Sterling can provide the equipment and the expertise to get your project off the ground.

For More Information, Visit:  
**www.SterlingEquipment.com**  
or call (888) MR-BARGE or (617) 984-0022 x117

# MASTER MECHANIC MARINE™

A Certified Power Business

[www.mastermechanicmarine.com](http://www.mastermechanicmarine.com)

## For ALL of your Hydraulic Systems & Components Needs!

Thousands of items in stock!

**TO ORDER CALL: 800-877-8350** ISSUE # BHQ117  
**OR EMAIL: [mmmsales@certifiedpower.com](mailto:mmmsales@certifiedpower.com)**

**We specialize in Custom built Gas, Diesel and Electric Hydraulic Power Packs with Reservoirs, Filters, etc. We'll help you design it, then quote you a price!**

### MASTER DESIGNED GAS & DIESEL POWER UNITS

#### GAS MODELS

ITEM #	HP	GPM	PRICE
BH-K5.5H-10	5.5HP	11 GPM @ 800PSI	CALL FOR PRICE
BH-K9.5H-20	9.5HP	8 GPM @ 2000PSI	CALL FOR PRICE
BH-K14H-20	14HP	10 GPM @ 2000PSI	CALL FOR PRICE
BH-K19H-20	19HP	15 GPM @ 2000PSI	CALL FOR PRICE
BH-K25H-30	25HP	20 GPM @ 2000PSI	CALL FOR PRICE
BH-K37H-40	37HP	30 GPM @ 2000PSI	CALL FOR PRICE



#### DIESEL MODELS AIR-COOLED

ITEM #	HP	GPM	PRICE
BH-KD350-10	6.1HP	11GPM @ 800PSI (2-STAGE PUMP)	CALL FOR PRICE
BH-KD440-20	9.1HP	7GPM @ 2000PSI	CALL FOR PRICE
BH-KD6252-20	22.1HP	17GPM @ 2000PSI	CALL FOR PRICE

• IF A HIGHER HP IS REQUIRED PLEASE CALL FOR PRICING! • STAND ALONE POWER UNITS AVAILABLE! •

### MARINE CLUTCH PUMP KITS (SINGLE & DOUBLE PUMPS)

Drive off truck or equipment engines. Drive-shaft or belt driven options.

Clutch pump kits come with: Bi-Rotational Pump, Clutch, Switch and Mounting Bracket.

ITEM #	MAX PRESSURE	GPM@1200	GPM@2000	GPM@3000	PRICE
BH119	3000	9.6	16	24.1	\$429.00
BH119X	3000	12.8	21.5	32.2	\$429.00
BH119XX	3000	17	26	43.4	\$589.00
BH119XXX	3000	23	34.8	N/A	CALL FOR PRICE



Just added drive-shaft driven clutch pump assembly:

ITEM #	MAX PRESSURE	GPM@1200	GPM@2000	GPM@3000	PRICE
BH200	3000	30	51	77	\$2,699.00

### STAINLESS STEEL BOOM WINCHES, PLANETARY WINCHES & ANCHOR HOISTS

Planetary winches can hold up to 300 ft. of 1/2" cable.

Boom winches hold up to 230 ft. 5/16" cable.

ITEM #	MAX CONT. FLOW	LINE PULL	MAX LINE SPEED	PRICE
BHPSVH-10000	15.9 GPM	10,000 LBS	46 FPM	\$1,200.00
BHPSVH-15000	15.9 GPM	15,000 LBS	30 FPM	\$1,575.00
BHPSVH-18000	15.9 GPM	18,000 LBS	23 FPM	\$1,826.00
BHPSVH-20000	15.9 GPM	20,000 LBS	7.1 FPM	\$4,850.00



ITEM #	DESC.	RPM @ RATED FLOW	LINE PULL	PRICE
BH1008	ANCHOR HOIST	300RPM @ 12GPM	900 LBS	\$795.00

DESC. (12GPM @ 2000 PSI: 4700 LBS LINE PULL EMPTY SPOOL)	PRICE
S.S. BOOM WINCH W/BRAKE	\$1,999.00
PAINTED STEEL BOOM WINCH W/BRAKE	\$1,699.00

(custom brake motor available)

### 1, 2, 3 SPOOL MONO-BLOCK VALVES AND STACK VALVES UP TO 1-10 SECTIONS PER STACK

Perfect for operating winches, cylinders, reels, pot haulers and much more.

- 2 GPM - 75 GPM
- 1500 PSI - 5000 PSI
- Stainless Steel



DESCRIPTION	PRICE
Spring Return Control Valve	\$85.50
1, 2, 3 Spool Control Valves	\$118.50
4-Spool Valve	\$779.50

### HYDRAULIC ACCESSORIES

- S.S. Gauges
- Relief Valves
- Return Filters
- S.S. Check Valves
- Cushion Valves
- Handle Kits
- Seal Kits
- Hose & Fittings
- Bushings
- Hydraulic Oil
- S.S. Ball Valves
- Brass Ball Valves
- Reservoirs
- Love Joy Coupling

### STAINLESS STEEL GRESEN & BRAND HYDRAULICS ROTARY SPOOL VALVES

- Great for Pot Haulers
- 1500psi - 3000psi
- Up to 45gpm
- Stainless Steel
- Built-in Flow Control
- Built-in Relief Valve

ITEM #	DESC.	PRICE
BH449	GRESEN ROTARY SPOOL	\$499.00
BH449-SS	GRESEN ROTARY SPOOL	\$755.00
BH1072-SS	BRAND ROTARY SPOOL	\$379.50
BH755-SS	S.S. BRAND ROTARY SPOOL	\$226.50

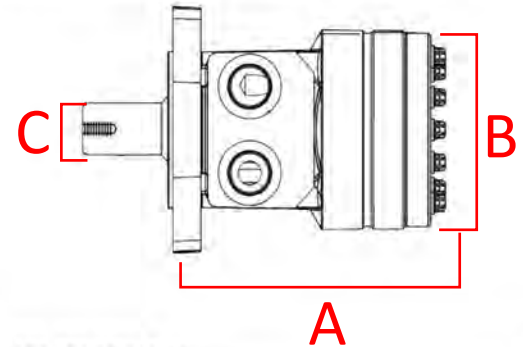


### LOW SPEED, HIGH TORQUE HYDRAULIC MOTORS

Master Mechanic Marine provides you with today's leading manufactured hydraulic motors. **NO TAG? NO PROBLEM!**

Our hydraulic specialists can get you a replacement motor with little dimensional data from your motor. (Imports are available).

- 1000 PSI - 3000 PSI
- 2 GPM - 70 GPM
- 2,000 in/lbs - 16,000 in/lbs
- All Straight Key Shafts and Splined Shafts Available
- 2-Bolt, 4-Bolt, 6-Bolt, Wheel Mounts



PRICES STARTING AT .....\$239.00

### VANE PUMPS & DOUBLE PUMPS

#### GRESEN TC24, TB12, V10, V20, 25VQ & VTM42

- 500 PSI - 3000 PSI
- 3 GPM - 55 GPM
- Up to 3,000 RPM
- Straight Key Shafts
- Splined Shafts

ITEM #	PRICE
V10	\$233.23
V20	\$250.79
VTM42	\$325.99
TB12	\$429.78
TC24	\$489.50



### POT HAULERS - 8", 10", 12", 14", 17"

- Completely Stainless Steel Options
- Top-Performing Hydraulic Motors
- Higher Speed or Higher Torque Options
- Line Speeds from 275-350 ft/min.
- Line Pulls from 310-1750 lbs.



PRICES STARTING AT.....\$699.00

### MONTHLY SPECIAL DRIVE-SHAFT ASSEMBLY



- DRIVE PUMPS
- ELECTRIC CLUTCHES
- U-JOINTS INCLUDED
- COMPANION FLANGES
- SLIP YOKES

ITEM #	PRICE
BH-1310	\$325.00
BH-1410	\$375.00
BH-1550	\$425.00

### STAINLESS STEEL STEERING UNITS

Master Mechanic Marine provides top of the line steering units. We can calculate your requirements and size the ram for you as well.

(Stainless Steel Helm Sold Separately)

ITEM #	PRICE
Class II	\$779.00
Class III	\$879.00
Class IV	\$979.00



### TIE-ROD AND WELDED HYDRAULIC CYLINDERS

**ALL** bores and strokes available! A few applications: • A-Frames  
 Top leading manufactureres • Steering • Log Splitters  
 and imports available.

BORE & STROKE	TYPE	PRICE
2 X 8	TIE-ROD CYLINDER	\$69.38
2.5 X 8	TIE-ROD CYLINDER	\$82.41
3 X 8	TIE-ROD CYLINDER	\$83.99





**JOHNSON DIESEL SERVICE**

Dealer for Cummins, Detroit, & Volvo Marine & Industrial Engines, Power Units and Generator sets. New, exchanges and used engines. We carry exchange and new Twin Disc and ZF Marine transmission and all parts necessary for overhaul's.

Phone (228) 392-1311 Fax (228) 392-0096

Email: [johnsondiesel@cableone.net](mailto:johnsondiesel@cableone.net) • Website: [JohnsonDiesel.com](http://JohnsonDiesel.com)

**J & B BOAT RENTAL LLC**

Has Crew Boats, Work Boats, Tug Boats and Living Quarters for Hire.

**J & B MANUFACTURING**

J & B Manufacturing Builds Work Boats and Crew Boats to Your Specifications

We also have Coast Guard Plans to choose from, tell us what you want and we can build it Below are a few vessels built by J & B Manufacturing.

You can contact us @ (985) 594-5831 or Visit our website: [www.jbboatrentals.com](http://www.jbboatrentals.com)



**VESSELS FOR SALE**

**150' Aluminum Welded Crew Boat**



- 150' Aluminum Crew Boat with 5 Cummins K19, Very Clean, New COI
- 65' Aluminum Crew with Cummins Diesel Engines, Clean & Fast, New COI
- (4) 50 Aluminum Crew Boats with Cummins Diesel Engines, Clean & Fast, All New COI
- 68' 3 Level Steel Push Boat, with Cummins Diesel Engines, New COI
- (10) Aluminum Deck Boats from 20' - 47'

**CLOSING DATES • SECOND OCTOBER ISSUE 2017**

• To Be Mailed October 9th •

**FOR DISPLAY** October 4th  
(9:00 A.M. C.S.T)

**FOR CLASSIFIED** October 6th  
(10:00 A.M. C.S.T)

**ISLAND WIDE MARINE INSURANCE**

**Superior Service Since 1977**

**CUSTOMIZED POLICIES**

Designed Specifically For:

- Passenger Vessels**
- Sightseeing - Dinner Cruise**
- Headboats - 6 Packs - Ferry**
- Dolphin - Whale Watch**

**FEATURING:**

- ★ **Basic & Enhanced Policies**
- ★ **Competitive Pricing**
- ★ **Easy Payment Terms**
- ★ **Discounts For Seasonal Operations**



**Marine Insurance is Our ONLY Business**

**1-800-635-6097**

**RENTALS & SALES**

Hydraulic Winches & Power Units For Sale & For Rent

Diesel Mechanical Winches For Sale & For Rent

**RASMUSSEN EQUIPMENT COMPANY**  
 Seattle, WA Belle Chasse, LA  
 Tel: 206-762-3700 Tel: 504-392-0442  
 Info@rasmussenco.com *New, Used, & Reconditoned Sales ~ Rentals* www.rasmussenco.com

**Anchors, For Rent & For Sale.**

**Surplus Equipment For Sale**

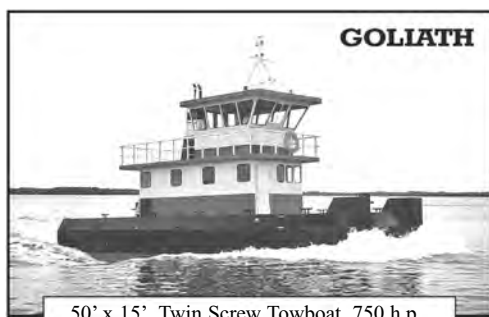
5' x 7' x 5' Surplus Used Steel Tanks  
 Located: Seattle, WA

Seattle, WA & Anderson, CA

Diesel Mechanical Winches, Hydraulic Winches, Hydraulic Power Units, Air Winches

*Please call, or email for a quote.*  
 Seattle: 206-762-3700 Belle Chasse: 504-392-0442  
 info@rasmussenco.com ~ www.rasmussenco.com

Portable Barges, Anchors, Chain, Wire Rope, Rigging Hardware, Deck Sheaves, Fairleads, Buoys, Blocks, etc.



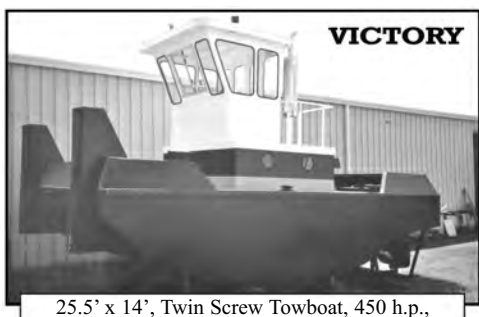
**GOLIATH**

50' x 15', Twin Screw Towboat, 750 h.p.,  
5:1 Gears, 46" Props, 20 K.W. Gen.



**TRIUMPH**

25.5' x 14', Twin Screw Towboat, 450 h.p.,  
with Deckhouse, 3.5' Draft.



**VICTORY**

25.5' x 14', Twin Screw Towboat, 450 h.p.,  
3.5' Draft.

# AMERICA'S PREMIER TRUCKABLE BOAT BUILDER

## IS OFFERING SUPERIOR BOATS AT PRICES LOWER THAN YOU'VE SEEN IN YEARS



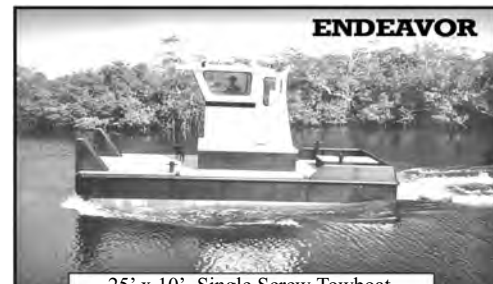
### FULLY EQUIPPED

**THIS BOAT AND OTHER MODELS ARE IN STOCK FOR DELIVERY TODAY!**



**CONQUEST**

25.5' x 12', Single Screw Towboat,  
225 h.p., Flanking Rudders.



**ENDEAVOR**

25' x 10', Single Screw Towboat,  
225 h.p., Flanking Rudders.

**Just Turn the Key. Everything is Included.**

- Towing Bitt and Four Cleats
- Running Lights
- Lockable Pilot House and Engine Room
- Non-skid Deck
- Engine Room and Pilot House Lights
- Opening Front Window in Pilot House
- Coolant Tanks with Level Indicators
- Large-Capacity Fuel Tank
- Full Instrumentation
- 1200 G.P.M Bilge Pump



**BORN TOUGH**



**PROGRESSIVE INDUSTRIAL, INC.**  
PALMETTO, FL

**(941) 723-0201**

**PUSHBOATS-BARGES.COM**

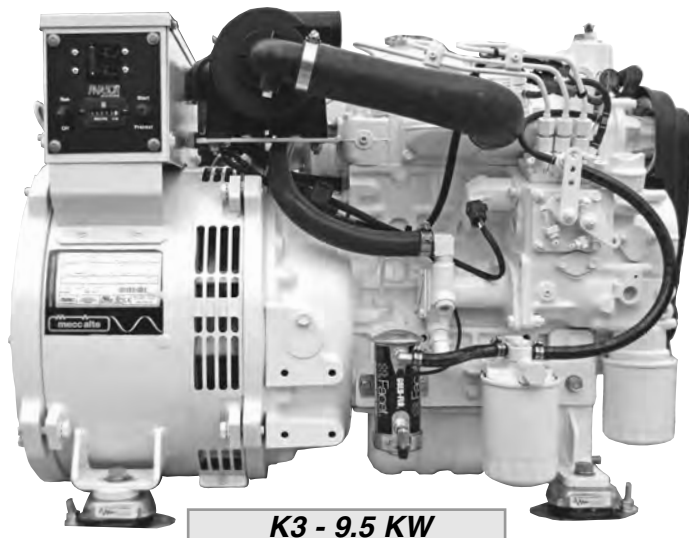
Sectional Barges  
8' x 20' to 15' x 60' per section pin together  
to form as large a platform as needed.

**Fast Delivery!**  
Call Now for a Quote!

# PHASOR MARINE

**Powered By Kubota**

**Phasor Marine**, has begun delivering EPA Tier IV compliant marine generators. These machines are not utilizing EPA flex credit engines as are other marine generator manufacturers, which is illegal. The Kubota diesel engines utilized by **Phasor** are either Tier IV Final or EPA Tier IV Marine Certified up to and including the K4-30.0 kw model. All standard machines continue to utilize the Kubota or John Deere diesel engines coupled to the electrical ends. These engines approved for use with Bio-Diesel B5. New for the 2014 model year are two Ignition Protection Certified models rated at 4.5 kw and 7.0 kw operating at 1800 rpm. These machines are certified for use in gasoline powered boats. All **Phasor's** continue to offer a 5 year limited warranty.



**K3 - 9.5 KW**

**Kubota**  
**WE SHIP GENERATORS WORLDWIDE**

**Standard Equipment: 1800 RPM Sets**

- Kubota or John Deere Diesel Engine
- Single Bearing Generator With Epoxy Coated Stator Windings
- ± 1% Solid-State Voltage Regulation
- Low 1,800 RPM Operating Speed
- Four Point Isolation Mounts
- Automatic Low Oil Pressure and High Water Temperature Safety Shutdown Systems
- Fresh Water Heat Exchanger Cooling
- Water Cooled Manifold and Stainless Steel Exhaust Elbow
- Direct Driven raw Water Pump
- Spin On Fuel Filter
- Electric Fuel Transfer Pump
- Toggle Switch Start with Preheat, Start, Run, & Stop Positions
- Awl-Craft 2000 Urethane Finish
- Oil Drain Valve
- Zinc Anode in Heat Exchanger
- Air Intake Silencer
- Spin On Oil Filter
- 5 Year Limited Warranty

## BOATS & HARBORS SPECIALS

MODEL	PRICE	MODEL	PRICE
K2 - 4.5 IPC	\$ 7,518.00	K4 - 12.5 KW	\$11,829.00
K3 - 7.0 IPC	9,011.00	K4 - 15.0 KW	12,458.00
K3 - 6.5 KWC	8,436.00	K4 - 17.5 KW	13,572.00
K3 - 7.0 KW	8,642.00	K4 - 21.0 KW	14,685.00
K3 - 8.0 KWC	9,161.00	K4 - 30.0 KW	20,160.00
K3 - 8.5 KW	8,998.00	K4 - 34.0 KW	22,234.00
K3 - 9.5 KW	9,986.00	J4 - 65.0 KW	32,367.00
K3 - 10.0 KWC	10,679.00	J4 - 80.0 KW	40,688.00
K4 - 12.0 KWC	11,954.00	J4 - 99.0 KW	41,187.00

**SOUTHEASTERN POWER PRODUCTS**

2880 Hammondville Road,  
Pompano Beach, FL 33069  
Phone: (954) 979-5899  
Fax: (954) 979-4349

[www.phasormarine.com](http://www.phasormarine.com)

Prices and Specifications  
Subject to Change

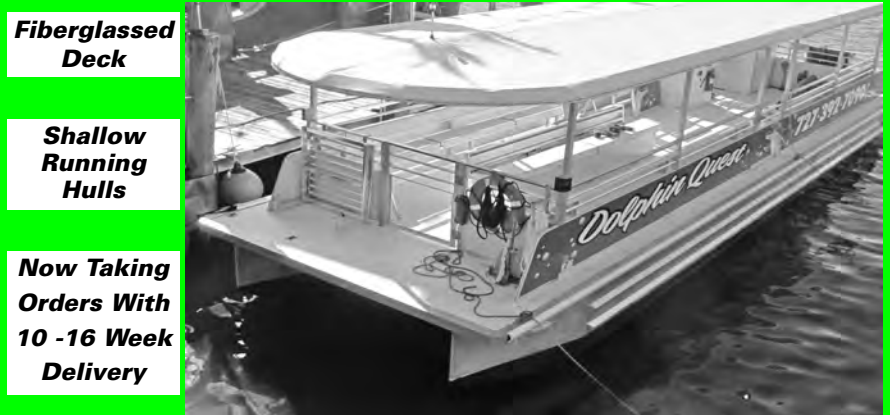
# www.Sightseerboats.com

Quality and Affordability

All Boats Built To USCG Partially Protected Criteria  
Eco-Tour, City Tour, Party Cruise, Water Taxi's Boats  
30', 35', 40', 45' & 50' Lengths x 10, 12, 13 & 14 Ft. Widths



All Aluminum Construction Means Lower Operational Costs & Requires Smaller HP Motors.  
Up to 49 Passenger • Multiple Route COI's Available



Fiberglassed Deck

Shallow Running Hulls

Now Taking Orders With 10 -16 Week Delivery



40' • 42 Passenger 35' • 36 Passenger

"V" Bottomed Catamaran Hulls  
FACTORY DIRECT SERVICE & PRICING  
BUILT TO MEET YOUR SPECIFIC APPLICATION & SITUATION  
Full Turnkey Boats Starting Under \$100K  
Call to Discuss Your Project & For Free Quotation

**727.856.6900**

## BUYING OR SELLING?

New & pre-owned vessels, Pinnacle Marine Corporation can help.



Facilities Barge



Mystere 88 Passenger Yacht



Argosy IV 1,900 Passenger Paddlewheeler



Lil Diamond III 149 Passenger Catamaran

## PINNACLE MARINE CORPORATION

We are the only brokerage service specializing in the passenger vessel industry. We also provide assistance locating financing, vessel transportation, securing insurance, marketing and business consulting, and auction services.

608-788-3210 • email: info@pinnaclemarine.com • www.pinnaclemarine.com

## JEMISON MARINE SHIPYARD

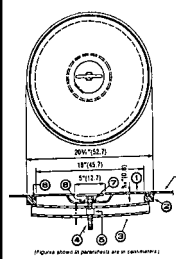
New Constructions,  
Repairs And Conversions

(NEW) BOATS FOR SALE

251-824-7878 • 251-824-4575 (Fax)  
9315 Little River Rd • PO Box 645  
Bayou La Batre, Alabama 36509

Contact: **Tim Jemison**  
website: [www.jemisonmarine.com](http://www.jemisonmarine.com)

## NEW FLUSH HATCHES



PIECE NUMBER	NAME	MATERIAL
1	COVER ASSEMBLY	MILD STEEL
2	DECK RING	MILD STEEL
3	STRONG BACK	MILD STEEL
4	TEE HANDLE	STAINLESS STEEL
5	NUT	BRASS
6	GASKET	NEOPRENE
7	WASHER	BRASS
8	WASHER	NEOPRENE

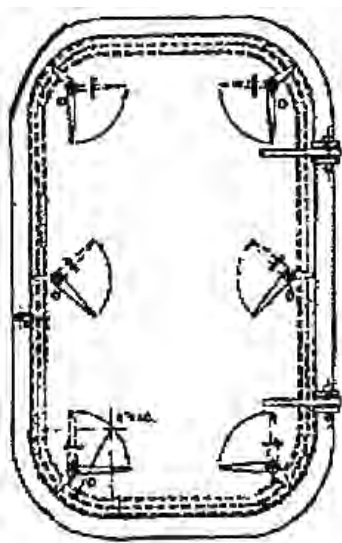
PRICE ON REQUEST

## NEW 18" & 24" HATCH COVERS



Flush mounting watertight hatch with machined steel mounting ring. T-handle is recessed and hand tightens against a strongback across mounting ring: 18" 90lbs. - 24" 120lbs.

## 6-Dog Watertight ABS Steel Doors



1/4" Panel  
5/16" Frame  
Righthand & Lefthand  
Clear Opening Sizes:

- 26 x 60
- 30 x 60
- 30 x 66
- 30 x 72

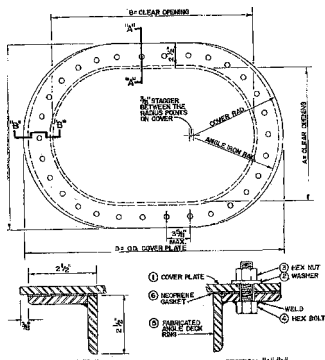
Available in either Manual or Quick-Acting Operation (4-Dog doors also available) Other sizes available by special order.



## NEW 7" RADIUS PANAMA CHOCKS

(Meet Panama regulations)  
14" x 10" CLEAR OPENING  
With extended legs for welding to deck.  
14" Wide on base - 28" Length - 27-1/4" High  
In Stock Immediate • Delivery

## FACTORY NEW - SIZE 15x23 RAISED BOLTED PLATE MAN HOLE OR TANK TOP COVER



1/2" Thick-Cover 3/8" Thick Coaming 2-1/2" High Overall dims. of cover 20" x 28-3/4" Overlap for lifting No handles necessary



## NEW 15" x 23" TANK TOP COVERS

3/8" COVER & 3/4" DECK RING  
Complete with Neoprene Gasket w/Brass Washers & S.S. Nuts 20 Bolts - Wt. 95 lbs.



## 24"- 36"- 48" KEVEL CHOCKS

## 4-DOG GENERAL PURPOSE 15" x 23" x 5" HATCH

## ALSO AVAILABLE

Open and Closed Chocks  
Single and Double Bitts  
All types of Marine Equipment

# POLI MARITIME

(formerly of Maritime Power Corporation) 79 West 33rd Street, Bayonne, New Jersey 07002  
PHONE: (201) 243-6387 • (201) 858-2675 • Fax: (888)491-4731 • Email: [claire@polimaritime.com](mailto:claire@polimaritime.com)



**AMERICAN 9260**  
SN GS19206 | 1978 | 120 TON



*The Powerful Solutions People!*

TOLL-FREE 866.883.7221 | WORLD-WIDE 513.202.8901  
[bhsales@fmmafco.com](mailto:bhsales@fmmafco.com) | [www.fmmafco.com](http://www.fmmafco.com)



**AMERICAN 7250**  
SN GS13150 | 1968 | 60 TON

# PARTS MACHINES

## AMERICAN

- American 5299 SN 7919AO2050
- American 5650 SN GS14121
- American 5650 SN GS17729
- American 7250 SN GS13150
- American 9260 SN GS19206
- American 9720 SN GS17416

## GALION Galion 150P

## GROVE Grove RT700B SN 71726



**MANITOWOC 4100 S-II**  
SN 41242 | 1974 | 230 TON

## MANITOWOC

- Manitowoc SC135 SN 395092
- Manitowoc 3900B SN 391070
- Manitowoc 3900W SN 395077
- Manitowoc 4000W SN 40155
- Manitowoc 4000W SN 40220
- Manitowoc 4000W SN 40345
- Manitowoc 4000W SN 40682
- Manitowoc 4100W SN 41242
- Manitowoc 4100W SN 41258
- Manitowoc 4100W SN 41657
- Manitowoc 4100W SN 41677
- Manitowoc 4600 SN 460049



**MANITOWOC 4000W VICON**  
SN 40345 | 1970 | 175 TON

## LINK-BELT

- Link-Belt LS108 SN B3RH80104
- Link-Belt HC138 SN 19G7579
- Link-Belt LS518 SN 4EW426
- Link-Belt LS518 SN 4EW441

## P&H

- P&H 670TC SN 41176
- P&H 670WLC SN 30847
- P&H 670WLC SN 36694
- P&H 790TC SN 36611



**LINK-BELT LS-518**  
SN 4EW426 | 1973 | 150 TON

FMM158

## CONSOLIDATED SHIP REPAIR & MARINE FABRICATION, LLC

### PORT ARTHUR, TEXAS

### FULL SERVICE REPAIR YARD

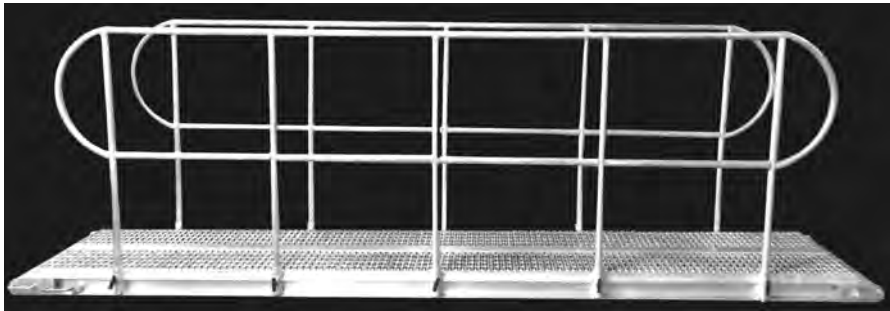
We Are Located Just 200-ft Off The Ship Channel And Offer:

- Deep Water Access • 24 Hour Service • USCG & ABS Certified Welders
- Vessel & Barge Fleeting
- Certified Crane Operators And Crane Service 24/7
- Heavy Crane Service
- 3,200' of Dock Space
- 7,000' of Water Front Access
- 50,000 Sq-Ft Fabrication Shop



**CONTACT US TODAY**  
**FOR MORE INFORMATION**  
**BY PHONE AT**  
**(281) 740-1340**  
**OR BY**  
**EMAIL AT [sales@csrtx.com](mailto:sales@csrtx.com)**

**Standard 12' Aluminum Gangways**  
**\$2200.00 • 12' x 30"**



**Grip Strut Grating • Removable Handrails**  
**Handles and Retractable Wheels for easy one man use**  
 Contact for more information and pics:  
[bwyble@sup-us.com](mailto:bwyble@sup-us.com) / 409-985-2448  
 Sabine Universal Products, Port Arthur, TX



**DON'T BUILD A FERRY.  
 BUILD A LEGEND.**

[www.gladding-hearn.com](http://www.gladding-hearn.com)

**INCINOLET®** electric incinerating toilets

**PROBLEM SOLVED!**

Need a toilet in "no discharge" zones?

For boat or dock, home or cabin –  
 INCINOLET, your best solution!

**SIMPLE** to install, maintain.  
 120 or 240 volts

**US Coast Guard Certified**

**ULTRA CLEAN:** waste  
 reduced to sterile ash.  
 As little as a cupful weekly.  
 Dump in garbage.

**TOP QUALITY:** stainless steel,  
 platinum odor control, quality  
 controls assure long life.



**1-800-527-5551**  
[www.incinolet.com](http://www.incinolet.com)

RESEARCH PRODUCTS/Blankenship • 2639 Andjon • Dallas, TX 75220

*Acadian*  
**Marine Transmission**



Allison Marine Gear Specialist

217 Burgess Dr., Broussard, LA 70518

Ph (337) 837-3636 • Fax (337) 837-3633

[www.acadianmarinetransmission.com](http://www.acadianmarinetransmission.com)

**Marine Transmissions & Parts,  
 Hydraulic Pumps & Parts,  
 Flywheel Assembly & Parts, Service**

- Repair/Exchange/Outright – Allison M & MH Transmissions
- M, MH, Twin & Quad Units
- Repair/Parts – Twin Disc & ZF Transmissions
- Repair/Exchange - New Hydreco Pump & Eaton Pumps

**I**  
**NLAND**  
**BOAT WORKS**

**VISIT OUR  
 SHIPYARD  
 ORANGE, TEXAS**

**CALL (409) 988-0005**

for SPECS OR QUOTE

[www.inlandboats.com](http://www.inlandboats.com)

Email:

[inlandboatworks@gmail.com](mailto:inlandboatworks@gmail.com)

**The ORIGINAL**  
**Truckable Boat Builders**

**CUSTOM BUILT PUSHBOATS AND  
 DECK BARGES YOUR DESIGN OR OURS**

**STANDARD MODELS • CONTINUOUS PRODUCTION OVER 45 YEARS BUILDING BOATS & BARGES**



**MODEL 2516**  
 25'9" x 16'0" x 5'6"  
 650-750 H.P. Twin Engine



**MODEL 2510**  
 25'9" x 10'0" x 4'0"  
 200 H.P. Single Engine



**MODEL 2512**  
 25'9" x 12'0" x 4'6"  
 400 H.P. Twin Engine



**MODEL 2514**  
 25'9" x 14'0" x 4'6"  
 600 H.P. Twin Engine



**DECK BARGES**  
 120'0" x 30' 0" x 7'0"  
 Double or Single Rake



**MODEL 2520**  
 25'9" x 20'0" x 6'0"  
 750 H.P. Twin Engine



**NEW  
 MODEL**

**MODEL 2523** with Quarters  
 25'9" x 23'0" x 6'8"  
 1125 H.P. Triple Engine



**MODEL 2520** with Quarters  
 25'9" x 20'0" x 6'0"  
 750 H.P. Twin Engine

**NEW ENGINES WITH FACTORY WARRANTY**  
**JOHN DEERE & CUMMINS TIER III COMPLIANT**  
**EXTENDED WARRANTY AVAILABLE**

**NEW TWIN DISC TRANSMISSIONS**  
**AQUAMET 17 PROPELLER SHAFTS**  
**NEW BRONZE 4-BLADE PROPS**  
**HEAVY DUTY QUALITY CONSTRUCTION**

# Questions to ask before ordering your sectional barge:

1. Will my barge be designed by experienced engineers?
2. Will my barge be built to my exact requirements?
3. Will my complete satisfaction be guaranteed?

If it's important that the answer to these questions is "YES", then contact us at:

## RPS Barge Co.

Built to your requirements.  
Built to last. Guaranteed.

**877-826-2617 502-747-5540**

[www.rpsbarge.com](http://www.rpsbarge.com)

[bill@rpsbarge.com](mailto:bill@rpsbarge.com)





**NORTHERN LIGHTS**  
MARINE GENERATORS

**Standard Equipment**

- 4.5L Tier 3 Diesel Engine
- Marathon or Stamford 1800 RPM Generator 3 Phase
- 12VDC Marine Grade Starting & Charging System
- Crankcase Breather Filter System
- Dry Element Air Filter
- Keel Cooled or Heat Exchanger Cooling with Raw Water Pump
- Water Cooled Manifold / Expansion Tank / Turbocharger
- Belt Guard • Steel Base Frame
- Start Stop Switches / J-Box
- Murphy Powerview Display Panel with Safety Shutdowns
- Dry Exhaust Elbow 4" CAT Flange

Power Products is an  
**Authorized Northern Lights  
Marine Generator Distributor**



65KW - \$24,480.00	99KW - \$29,723.00
N/L M65C13.2S	N/L M99C13.2S

3225 Greenup Ave., Ashland, KY 41105  
Phone: 606/329-2418 • Fax: 606/324-7424  
Email: [mwilliams@powerproductsky.com](mailto:mwilliams@powerproductsky.com)  
[www.http://powerproductsky.com](http://www.http://powerproductsky.com)



## BRAND NEW 2017 42'

Adventure Rib Available For Winter Lease



**Fresh Out Of The Builders Yard**  
1050 HP Speed Thrill Ride Vessel  
Great For Dolphin Watch / Tour Boat / Snorkel Trips  
Truck-Able To Southern Locations

Number Of Other Vessels Available For Winter Lease  
From 50' 30 Passenger Up To  
110' 300 Passenger Vessels


For Further Information Call Joe:  
**508-776-8435 / 508-776-6578**  
Email: [joseph@meganet.net](mailto:joseph@meganet.net)

# PASSENGER VESSEL

## ASKING \$3,450,000

**FOR SALE, LEASE OR JOINT VENTURE  
OWNER WILL CONSIDER FINANCING**

*The M/V Deacon is an 120' x 43' all aluminum vessel designed to transport 250 passengers at 30 knots. The swath design provides dramatically better ride in high seas than a mono-hull or a catamaran vessel.*



[www.mvdeacon.com](http://www.mvdeacon.com)

*How does the swath compare to a conventional vessel? Watch our online video.*

- Possible Uses:**
- Crew Boat • Yacht • Dinner Cruises
  - Whale Watching • Research Vessel • Casino
  - Military • Passenger Ferry • Seismic Vessel
  - Live Aboard Dive Vessel • Dive Support Vessel
- For more information contact: Daniel Haines at 985-631-2628 or [daniel@hainescompanies.com](mailto:daniel@hainescompanies.com)

# MARINE FLOTATION FOAM

SABO & ASSOCIATES  
YOUR EXPERT MARINE FLOTATION TEAM

*We Have 2 Lb+ Closed Cell FLOTATION FOAM For Sale In 55 Gal. Drum Sets Or Larger*

**This Foam Is UL, ICC & Federally Approved!!**

*We DO NOT Sell or Use Any Foam That Does Not Have These Minimum Qualifications!*

**CALL FOR PRICING**

*We Install The Closed Cell Flotation Foam In Barges • Platforms • Ships • Docks Seawalls • Storm Water Runoff Lifting Concrete and Insulation*

*To Mention A Few Of The Uses*

**CALL FOR INSTALLED PRICING**

**We Have Over 30 YEARS In The Industry!**

**We Are FEDERALLY APPROVED Contractors**

**We Are Recognized As Technical Experts**


**ALL PROJECTS Reviewed By Engineers!!**



**We Are FULLY INSURED**  
With General Liability  
Workers Compensation and  
Disability Insurance

For More Information:  
Call (518) 796-0080

<http://www.marinefoamexperts.com>



**1-800-960-0068 CALL TODAY!**  
 1212 St. Charles St., Houma, Louisiana 70360  
 www.mlengine.com sales@mlengine.com

**Gas Inboard / Mud boat Power train**  
 Up to 44 Horsepower!  
 Electronic Fuel Injection  
 ZF Transmission  
 Air Cooled



**KOHLER engines** 

**Marine Diesel Generators**  
 6kW up to 200kW  
 Keel Cooled  
 Heat Exchanger Cooled



**ISUZU DIESEL**  
**JOHN DEERE**  
**YANMAR**

**Gas and Diesel Pumps**  
 2" - 48" Pumps  
 Skid Mounted  
 Trailer Mounted  
 Dry Prime  
 Wet Prime




**YANMAR** **KOHLER** **CORNELL**  
**Lo-Lift** **GR**  
 SINCE 1955 **GOODMAN-HUFF**  
**PUMPS**

**Packaged Generators**  
 6kW up to 800kW  
 Sound Enclosures  
 Fuel Tanks  
 Trailer Mounted  
 Panels and Accessories



**YANMAR** **KOHLER** **MAGNUM**  
**JOHN DEERE** **kwjet** **GILLETTE**  
**ISUZU** **POWER** **GENERATORS**

**Replacement Engines**  
 Tier 2 Mechanical In Stock!  
 Tier 3 & Tier 4 Available



**ISUZU DIESEL** **JOHN DEERE**  
**YANMAR** **KOHLER**

**Pressure Washers**



**KOHLER** **YANMAR**  
 Heavy Duty Diesel and Electric

**Generator Alternator Ends**



**MARATHON ELECTRIC** **STAMFORD** **meccalte**

**Custom Power Units**  
 6hp up to 400hp  
 Diesel  
 Natural Gas  
 Gasoline  
 Propane  
 Accessories



**ISUZU** **JOHN DEERE** **GM**  
**YANMAR** **KOHLER**

**PRICE MATCH GUARANTEE**  
 We will match or beat any competitors price!



**ISUZU DIESEL** **YANMAR** **KOHLER** **GM** **JOHN DEERE** **CORNELL** **ZF** **Lo-Lift** **GR** **GOODMAN-HUFF** **PUMPS** **meccalte** **GILLETTE GENERATORS** **kwjet POWER**



**FOR RENT**

**FLEXIFLOAT JACK-UP BARGE**  
 - Truckable, Maximum 100 Ton Crane  
**TUGS**  
**HIGH SPEED CREW BOAT**  
**CRANES**  
**OTHER MISC. EQUIPMENT**

**Andrie Inc.**

Contact Stan Andrie At: (231) 332-9227 Or [srandrie@andrie.com](mailto:srandrie@andrie.com)  
[www.andrietg.com](http://www.andrietg.com)

**Is Your Advertising Program Blooming? or Being Dug Up by The Dogs?**



*This Ad Can Be Working For You In No Time!!*  
 Call or Email Now and Let Us Help Your Advertising Results Grow!!  
 Call 931.484.6100 or  
 Email: [gdonnelly@boats-and-harbors.com](mailto:gdonnelly@boats-and-harbors.com)



**WEEKS 2220**  
 NEW YORK, NY

**FULL SERVICE PROJECT CARGO RATES A SPECIALTY**

**CHARTER BARGES AVAILABLE ON EAST & GULF COASTS. OCEAN & INLAND DECK BARGES, HOPPER BARGES, SPUD BARGES, MATERIAL AND CARFLOATS, ABS 340 78 x 19; 260 x 72 x 16; 222 x 60 x 14 & 180 x 54 x 14 DECK BARGES AVAILABLE ON EAST & GULF COASTS. TUGS TO 4000 HP AVAILABLE. FLOATING LIFT CRANES TO 500 TON. FLOATING DUTY CYCLE CRANES TO 30 CY BUCKETS. FULL SERVICE YARDS ON EAST AND GULF COASTS FOR MOBE SERVICES. CALL FOR COMPETITIVE BARE-BOAT CHARTER, MARINE TRANSPORTATION, HEAVY LIFT AND STEVEDORE RATES.**



**WEEKS 2901 ABS CLASS 180 x 54 x 14 DECK BARGE BUILT 2015 FEATURES A 3500#/SQ FT DECK RATING**



**Weeks Marine, Inc.**

**CONTACT: Jim Greco**  
 JAMES L. GRECO  
 E-MAIL: [JLGRECO@WEEKSMARINE.COM](mailto:JLGRECO@WEEKSMARINE.COM)  
 PHONE: 908-272-4010 EXT: 2010  
 WEBSITE: [WWW.WEEKSMARINE.COM](http://WWW.WEEKSMARINE.COM)



4600 Series 4 Crawler Lift Crane w/ Series 3 Ringer Attachment



**CREW BOAT STEVE L**

**ABS BARGES FOR CHARTER**

Weeks 184	150 x 40 x 8 ABS deck barge
Weeks 185	150 x 40 x 8 ABS deck barge
Weeks 186	150 x 40 x 8 ABS deck barge
Weeks 188	150 x 40 x 8 ABS deck barge
Weeks 176	140 x 40 x 12 ABS deck barge
Weeks 177	140 x 40 x 12 ABS deck barge
Weeks 178	140 x 40 x 12 ABS deck barge
Weeks 179	140 x 40 x 12 ABS deck barge
Weeks 290	180 x 54 x 14 ABS deck barge
Weeks 291	180 x 54 x 14 ABS deck barge
Weeks 292	180 x 54 x 14 ABS deck barge
Weeks 293	180 x 54 x 14 ABS deck barge
Weeks 294	180 x 54 x 14 ABS deck barge
Weeks 295	180 x 54 x 14 ABS deck barge
Weeks 298	180 x 54 x 14 ABS deck barge
Weeks 2220	222 x 60 x 14 ABS deck barge
Weeks 2221	222 x 60 x 14 ABS deck barge
Weeks 2222	222 x 60 x 14 ABS deck / spuds
Weeks 2223	222 x 60 x 14 ABS deck / spuds
Weeks 2600	260 x 72 x 16 ABS deck barge
Weeks 2901	180 x 54 x 14 ABS deck barge
Weeks 2902	180 x 54 x 14 ABS deck barge

**CREW BOAT FOR SALE**

Steve L 41' Aluminum Crew Boat \$75K

**CRANE FOR SALE**

Manitowoc 4600 Ringer 750T \$POR

**WINCH FOR SALE**

Clyde Frame 6 (3) Drum, Good Shape, No Power \$75K

Buckets, Cranes, Hammers, Winches and Other Heavy Equipment Also Available.  
 See Website [www.weeksmarine.com](http://www.weeksmarine.com)

## Boats &amp; Harbors

## CLASSIFIEDS

Experience  
The Selling Power of The  
Yellow Sheet!Place Your Ad (931) 484-8708 or Email: [Tlewis@boats-and-harbors.com](mailto:Tlewis@boats-and-harbors.com) • Fax: (931) 456-2337 • Submit Online: [www.boats-and-harbors.com](http://www.boats-and-harbors.com)

## ★ BOATS FOR SALE

1953 65 FT by 22 FT Beam, Blount Built T-boat, Emita II dinner / tour boat. Licensed 150 passengers. Rebuilt 1993, operated in fresh water since 1975. Currently operating on NYS Canal System. COI expires spring 2022, drydock inspection expires spring 2021. Detroit 8-V71 300 HP rebuilt spring 2017. (1) Yanmar / Kohler 20 KW. (1) Yanmar / Kohler 16 KW. Includes safety and service equipment. \$190,000. Call (315) 685-8500. For photos, visit: [midlakesnav.com/erie-canal](http://midlakesnav.com/erie-canal)

1970 / 62' ALUMINUM CREW BOAT, repowered, \$225,000.00. (361) 758-7487 [www.sealevelmarine.net/m-v-maverick2.html](http://www.sealevelmarine.net/m-v-maverick2.html)

**1981 SWIFTSHIP 91x19.6' Crew / OSV Triple V12711T, 2,600 fuel cap. Located Galveston, TX. \$249K OBO. Call Richard (713) 705-0037.**

1984 WILLARD 50 FT NAVY Utility Boat, 671 Detroit Diesel engine, Serial: 50UB847. Engine shows 48 hours and has been started and checks out good. Asking \$20,000 OBO. (270) 535-2886 [ebogle4@gmail.com](mailto:ebogle4@gmail.com)

ECONOMY GETTING YOU DOWN? Sell that unused marine item through Boats & Harbors. Call us today (931) 484-6100 or place ad online [www.boats-and-harbors.com](http://www.boats-and-harbors.com)

1987 FERRY / PASSENGER. 100'x45', double ended, current COI 22 cars + 100 passenger, located in Chicago, excellent shape, ready to go. Call (773) 447-6721 [Email: captainrickdawson@gmail.com](mailto:captainrickdawson@gmail.com)

1988 PETERSON BOAT WORKS. 24' aluminum harbor boat. Volvo diesel AD41P-A 200 HP. Volvo duo prop outdrive. Sandblasted & epoxy painted. Boat is fully reconditioned. \$45,000 OBO. Call (860) 395-3574.

1992 45' MDI, COI 23+ crew to 100 miles +, 3406E CAT 800 HP, 9 KW Phasor, new fuel tanks, full electronics, too much to list, excellent condition. Asking \$385K. Replacement value \$650K. Call F.M.I. (207) 838-0168.

1999, USA FLAG, 220' Supply Boat, big deck, EMD power, bow thruster, now available for purchase. ABS load line. Good operating boat. Call: (281) 635-7151 [E-mail: marineone1st@yahoo.com](mailto:E-mail:marineone1st@yahoo.com)

2001 CARMAN 50 Walkaround (Seaflex) Ex-Headboat (Currently out of COI), twin Volvo 485 hp, 3,500 hrs. Updated Garmin electronics. Onan 12.5 kw genset. Asking \$299,900. (516) 606-1282

28 FT LANDING CRAFT V Bottom, 225 Suzuki pilot house, set up for auto crane, can be seen on Craig's List. Hartford, CT. (860) 526-2227

28' ALUMINUM WORKBOAT, Alpha One outdrive, 4 cyl. gas. Huge auxiliary hydraulics. Heated wheelhouse. Pics available. \$22.5K. [David Allan: boathouse@gwi.net](mailto:David Allan: boathouse@gwi.net)

33 FT. FIBERGLASS WORKBOAT. Twin 3.3 liter Cummins, less than 1000 hrs on engines. Never seen salt water. \$18,000 OBO. (716) 269-9313

36' STRONGEST FIBERGLASS BOAT Ever Built with heavy duty protection for the 4 blade wheel and rudder, 455 hp twin turbo Detroit, 2 to 1 Twin Disc 514C, tow system, seats 10 in cabin, windshield folds down flat, navigate any low bridge, use for salvage, dredging, etc. Powerful, fast! Sacrifice \$39,500 OBO. (850) 814-2763; (850) 819-4572

38' HATTERAS & EQUIPMENT. Key Largo, FL. Asking \$29K OBO. Captain Tony (305) 619-5221

39' KEY WEST #1 Grouper Snapper Boat, with GOM permit, V-671, ZF gear, all safety up to date, \$60,000. Phone (813) 546-7553

45 FT x 14 x 5, McCOY BAYMASTER, 450 HP Cummins, rigged for crab dredging and oystering. \$75,000. Call (856) 305-3257.

**CHESAPEAKE BAY BUILT Classic 110 Passenger Vessel. 65 LOA, 60 ton, two 6-71 Detroit, current COI. Business and / or boat for sale, ready to cruise this season. (240) 463-1510 [www.WestRiverCruises.com](http://www.WestRiverCruises.com)**

45' HATTERAS SPORTS FISHING 1969, 41 years of updates and maintenance. Great condition, runs great. Many above and under water modifications. She is loaded with many extras. This boat is nearly bullet proof. Must be seen to appreciate. \$69K. (561) 747-7733

45FT. LONGLINE GROUPEL BOAT, Greek built, glassed over top to bottom, 671 total rebuild, 500 hrs, 10 thousand pd fish hold, Gulf of Mexico longline endorsement and reef permit, turn key, presently fishing, owner retiring. Also have extra spool for sale, 10 mile sea gear, \$200 thousand OBO for boat and permits. For more info, [Email: robknap2000@yahoo](mailto:Email:robknap2000@yahoo)

48 PASSENGER TOUR BOAT, in operation now, twin outboards for sale. Palm Beach. (561) 723-2028

55'x16' STEEL DOUBLE RIG Freezer Trawler with brine tank, full electronics. Federal shrimp permit included. \$110K. (985) 226-2467

58' PRICE/DEADRISE 1960 671/MH20 COI 42, needs repair, asking \$36,000. New electronic and raft. For more info, [Email: hoppincaddy@gmail.com](mailto:Email:hoppincaddy@gmail.com)

65'x22' 2014 SKIPPERLINER Passenger Vessel Sub Chapter T, USCG inspected and certified for 120 passengers. Two 305 HP Cummins engines, Konrad outdrives, generator is a Cummins, Onan 32 kilowatts. Dinner cruise vessel with open main cabin, open wet bar area forward open seating in main salon. Galley aft with a pass through to the main salon. Enclosed half bath to port and a handicap accessible bath to Stbd. Open upper deck with steel framework for canvas cover over forward end of the deck including Eisenglass for protection against inclement weather. Wet bar on upper deck. Excellent condition. For details [Email: skipperlinervesselinfo@gmail.com](mailto:Email:skipperlinervesselinfo@gmail.com)

37' BAYLINER, Grouper Snapper Boat, GOM permit, Furuno electronics, up to date safety, 4-71, \$45,000. Phone: (813) 546-7553

34' UNIFLITE GEOLOGICAL Survey Boat, 3208T Caterpillar diesel engine, 255 HP, 9 beam. \$18,000 OBO. Eddie Bogle (270) 535-2886 [ebogle4@gmail.com](mailto:ebogle4@gmail.com)

FULLY CERTIFIED SKIPPERLINER For Sale. 1997, 70 foot, 127 passenger. Both in Certificate. For more information & pricing, please contact (954) 314-8699 or [lisa@marinehospitality.com](mailto:lisa@marinehospitality.com)

CLASSIC WOOD Passenger Vessel. New COI for 169. Original stability letter for 224. Excellent condition ready to work. 65 ft. Biloxi Lugger design. Expertly rebuilt in 1985. 1-3/4 inch mahogany with stainless fasteners. Twin 8-71s. 10 kW Kubota. Appraised at \$350K. Will consider trades. (228) 326-1668

CUSTOM-BUILT WOOD 36' DEADRISE. 100-yr old design. 2009. Perkins diesel. \$15,000 OBO. Galesville, MD. (410) 353-9363 or [jetyeme@aol.com](mailto:jetyeme@aol.com)

NEED HELP PLACING A CLASSIFIED AD? Call us today! 1-931-484-6100 Or go online to [www.boats-and-harbors.com](http://www.boats-and-harbors.com)

SEA BREEZE. Alum. Crewboat, Built 1978, 45 x 15 x 5.6'. Cert. for 44 pax, ON 602377. Twin 8V71's, 700 Hp, 13 KW Kohler Gen. \$250,000.00. Location: New York. Call office for additional information: 1-888-MR-BARGE, (617) 984-0022 [Mark@Sterlingequipment.com](mailto:Mark@Sterlingequipment.com)

FOR SALE: COMMERCIAL Tugs, Barges, dredges, work boats, passenger vessels, ferries, landing craft, air boats, hovercraft, anchors, propellers, winches, ship parts from Great Lakes freighters, marine diesel engines & transmissions, generators, marine antiques. Listings welcome. Scruton Marine Services (519) 583-1636, Fax (519) 583-2189 [www.scrutonmarine.com](http://www.scrutonmarine.com)

FULLY CERTIFIED SKIPPERLINER For Sale. 1995, 96 foot, 130 passenger. Both in Certificate. For more information & pricing, please contact (954) 314-8699 or [lisa@marinehospitality.com](mailto:lisa@marinehospitality.com)

TRASH SKIMMER BOAT: \$50,000. Manufacturer: Aquarius 4BT Cummins. 60'x12' stainless steel construction. Wayne: (410) 972-8187

GOOD STEEL BOATS Made for Work, Self-Bailing Assist, Utility and Bridge Construction Boats. (508) 264-6863 [www.americanworkboat.com](http://www.americanworkboat.com)

MISS KATHIE. 40' 8" x 13' 5" x 4' 1", EX CG Boat, HP: 680, year built: '78, GT: 15 GRT, Cummins 909's rblt. 2013, eng. gen.: (2) 24V alts. on eng. \$225,000.00. Location: Staten Island, NY. Call office for additional information: 1-888-MR-BARGE, (617) 984-0022 [Mark@Sterlingequipment.com](mailto:Mark@Sterlingequipment.com)

HAVE MARINE PARTS YOU NEED to sell? Let Boats & Harbors help you! (931) 484-6100 or place your ad online at [www.boats-and-harbors.com](http://www.boats-and-harbors.com)

34' PREMIUM PARASAIL / DIVE Boat with Trailer, 12 ft beam, good shape, 2 rebuilt 300 HP 6B Cummins diesel engines, has room for toilet under steering console. Re-furbishing, 90% done. Asking \$60,000 OBO. (270) 535-2886 [ebogle4@gmail.com](mailto:ebogle4@gmail.com)

WORK BOATS For Sale. 18, 23, 27, 32 and 55 feet, aluminum, diesel powered, all in good working order. Palm Beach. (561) 723-2028

## ★ BOAT AND BUSINESS FOR SALE

TURNKEY CHARTER BOAT For Sale, busy South Florida marina. Established 1971. Gross is \$125K+ a year. Family owned and operated. Hatteras 41', V-6 Detroit diesels, Onan genset, Pompanette chair, Rupp riggers, Furuno color sounder, 1 year old A/C. Asking \$125K. Capt. Brad (561) 732-1980.

WELL ESTABLISHED Charter Business For Sale, Destin, FL. 1969 custom Thompson 48 ft. Classic, last one highly respected boat builder Gene Thompson built. Last one of 20. Just renewed COI for 5 years. USCG approved for 15 passengers. Federal permits for reef and pelagic. Website and social media is 5 Star for this business. All booking agents use the boat. Great reputation and nostalgia. Owner will stay on for one year to help make a successful transition. Email for photos & price. [MsAegina@gmail.com](mailto:MsAegina@gmail.com)

## ★ BOATS FOR SALE OR LEASE

62' STAPLETON SPORTFISHER, USCG cert 49+2, twin 8V92 diesel engines powering 32" wheels, fresh bottom paint and USCG hull exam. Needs deck paint and salon finished to operate, 27.5 Kubota generator goes with it. Located Ft Walton Beach, Florida 32548. Asking \$350K, all offers considered, health forces sale. (619) 770-3292 [diveconnections@gmail.com](mailto:diveconnections@gmail.com)

82' HUCKINS MOTORYACHT, Twin 12V 72's Northern Lights 30 KW generator. Coastal cruiser been all over the world, sleeps 20 in 5 staterooms, 4 heads, set of extra props, Bauer air compressor, 9 stateroom AC units, twin hot water tanks, washer / dryer. Vintage kitchen and galley, 600 gallon per day water maker, 24 volt windless 600' anchor chain and 600' anchor line. Very stable yacht, asking \$650K, all offers considered. Joint venture capability. Photos available. (619) 770-3292 [diveconnections@gmail.com](mailto:diveconnections@gmail.com)

## ★ BARGE DONATIONS WANTED

501 C 3 ARTIFICIAL REEF CO. Looking for barges, metal boats, etc. Rather than take up dock space, donate it and get a write off. Call (772) 708-8881.

## ★ BOATS FOR LEASE

CREWBOATS / SAFETY Boats For Lease. Truckable aluminum crewboats 22' - 44', 6-15 pax, up to 40 knts., available bareboat or w/ crew. Can deliver anywhere. Contact Kevin @ (410) 977-0028 [Email: smithequipment@verizon.net](mailto:Email:smithequipment@verizon.net)

## ★ SAILBOAT HULLS FOR SALE

36' STEEL SAILBOAT HULL. George Sutton design. Professionally built, never launched. 2 cylinder diesel installed, interior finished, fully equipped, no rig. Asking \$35,000. (207) 443-8408 [Pictures and details at: www.pandpcanvas.com](http://www.pandpcanvas.com)

CARGO / TRADE SCHOONER Under Construction as T-boat, steel, 48 GRT, 61' LOA. <1 year to complete. \$225K OBO. Seller exiting. For info, call Matt (252) 626-1699.

## ★ BOAT DELIVERIES

ECHO YACHT DELIVERY World Wide. We will move your vessel anywhere in the U.S. or the world at reasonable cost. Commercial vessel, yachts, power or sail. For reliable estimates, call (321) 514-5046 or go to our "Quick Quote" web page at: [echoyachtdelivery.com](http://echoyachtdelivery.com)

EXPERIENCED PROFESSIONAL, Worldwide, licensed masters and crews. Bayfront Marine, Inc. Mel or Diane Longo. (904) 824-8970 [www.bayfrontmarineinc.com](http://www.bayfrontmarineinc.com)

## ★ PERMITS FOR SALE

GULF OF MEXICO Directed Shark Permit, \$10,000. (727) 492-4907

CAN LOCATE ANY PERMIT, Commercial or Charter. 28, 33, 48 Passenger charter permits available now. (361) 356-1172 [permits@greatsageinc.com](mailto:permits@greatsageinc.com)

CORPORATE SOUTH ATLANTIC Snapper / Grouper Permit For Sale. \$69,000. (252) 423-0451

IFQ ALLOCATIONS. Red Grouper Allocations For Lease, 100,000 lbs., \$10,000 for lot. Gag grouper, 20,000 lbs., at \$1.50/lb., in 2,000 lb. lots. Call (727) 492-4907.

TEXAS, INSIDE 3 NAUTICAL Miles shrimp permit, \$12,500. Federal Moratorium permit, \$12,500. (409) 434-3145

## ★ REEL MOTORS FOR SALE

PETERSON MACHINE BANDIT MOTORS. Guaranteed low speed, brand new, \$425.00 each plus ship. Extremely well marinized & professionally built. Mark (850) 287-2705.

## ★ PERMITS WANTED

FULL PERMIT SERVICES: Buy, Sell, Renew, Transfer, Broker your federal fisheries permits. File no fish reports, vessel documentation, VMS activation. Expired permit solutions. (361) 356-1172

I BUY AND SELL South Atlantic Snapper / Grouper, Gulf Reef Comm. & Charter, King Mac, others. Dave (904) 708-0893, (904) 262-2869

ONE MAN'S JUNK, ANOTHER MAN'S TREASURE! Sell it or find it through Boats & Harbors.

## ★ PUSHBOATS FOR SALE

3,000 HP PUSHBOAT. MV Gladys Ford, reduced price \$1.59 million. Ms. Amy, 1,350 HP, all aluminum pushboat, \$595,000. Sean (850) 686-3420; Chris (850) 255-5266 [www.mbbrokerage.net](http://www.mbbrokerage.net)

M/V WORKBOAT (1) 33'x10'x4' single screw push boat. 200 HP Detroit diesel 671 with manual Gray Marine reversing gear and steerable Kort Nozzle. Located in Lemont, IL. \$10,000.00 or best offer. Ask for John (630) 739-2460.

THIS BOAT Is In Excellent Condition, we just installed top steering station. (2) Suzuki 2013 (4) stroke engines, can push 50' barge no problem and fast, can do 35 mph by itself. Boat is 25' by 10' by 2.5 deep. Only serious persons please. And is in water for a test run. Asking \$55,000. (609) 410-9195

## ★ TUGBOATS FOR SALE

1953 EX ARMY ST Tugboat, 45' Long 12.5' Beam. 8V71 Detroit Diesel, Allison gear. Lots of new steel plate. No generator. \$38,000. Located: Chesapeake Yachts, 1700 Shipyard Rd., Chesapeake, VA. (757) 288-5074

JAY MICHAEL. 68 x 24 x 7', 98 GRT, Built 1980, ON 630308, Twin Cat 3508's, 2200 hp, 2 x 40 KW gensets, 37,000 gal. fuel, Smatco single drum winch, complete electronics. SPOR. Location: Staten Island, NY. Call office for additional information: 1-888-MR-BARGE, (617) 984-0022 [Mark@Sterlingequipment.com](mailto:Mark@Sterlingequipment.com)

45 FT. ARMY ST Upper Pilot House, 855 T Cummins, 4:1 TD gear, 20 KW Northern Lights gen. \$50,000.00 (843) 729-4264

CONTINUED ON PAGE 26



**Scarano 65' x 14' Water Ferry Launch**



**Scarano 80' x 16' Motor Launch**



**115' PV Adirondac  
350 Passenger Capacity**



**Adirondack 65 LOD**

**SCARANO BOATBUILDING, INC.**

Port of Albany, Albany NY 12202

Custom Design Construction

518-463-3401 • FAX 463-3403 • www.scaranoboat.com



**Smithwick & Mariners Insurance, Inc**

Specializing in Inspected Passenger Vessels, Marinas, Boatyards, Boat Dealers,  
Mobile Marine Repairers & Various Commercial Marine Businesses  
as well as Yachts & Private Pleasure Boats

- ✓ Commercial Fishing, P&I, Lobsterboats
- ✓ Pollution Coverages
- ✓ NHCFA: Fishboat Program (New Hampshire)
- ✓ Charter Vessels
- ✓ Loss Free Credit/Loss of Income
- ✓ Payment Term Options

Call to customize a program for your needs:

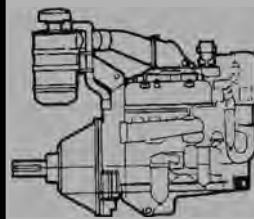
**603-394-7008**

**www.blackadarmarine.com**

**M/V Valcour For Sale**



Length: 190' Overall, 177' Waterline • Power: Twin 425 HP CAT D-353 • Gross Tons R446, Net Tons R87 • Fresh Water Boat • Galvanized Hull • COI - Lakes, Bays, and Sounds • Lifesaving (4) 50 Man IBA's • Co2 Fixed Fire Extinguishing • Very Clean Solid Vessel • Accepting Reasonable Offers • heathers@ferries.com



**INDUSTRIAL DIESEL, INC.**

8705 HARMON • FORT WORTH, TX 76177 • Ph: 817-232-1071 • FAX: 817-232-0354 • WATS: 800-323-3659

WORLD WEB WEBSITE • <http://www.industrialdiesel.net> • EMAIL: [sales@industrialdiesel.net](mailto:sales@industrialdiesel.net)

SEE OUR COMPLETE INVENTORY ON THE WORLD WIDE WEB

**NO C.O.D'S PLEASE  
WE ACCEPT VISA AND MASTERCARD  
Se Habla Español**

**POWER UNITS**



**Caterpillar C4.4 Power Unit**  
Tier III, 100 HP RTO - Call For Pricing



**Perkins 1104 Tier IV Power Unit**  
100-117 HP RTO, Low Hours  
Call For Pricing



**Caterpillar 3126 Tier II Power Unit**  
200 HP RTO, Low Hours - \$7,500



**3054C Caterpillar Power Unit**  
160 HP, Low Hours  
\$6,000

**INVENTORY & COMPONENTS!**



**KT38 Cummins Engine**  
950-1200 HP, Rebuilt  
\$65,000

**Rebuilt Detroit Diesel Marine Engines**

Keel Cooled	Exch Price US	Outright Price US
3-71	\$ 7,000	\$ 10,500
4-71	\$ 8,200	\$ 11,700
6-71	\$ 10,000	\$ 13,500
8V71	\$ 12,200	\$ 16,000
8V92 N	\$ 14,000	\$ 19,700
12V71 N	\$ 20,500	\$ 28,550
16V92 N	\$ 36,000	\$ 46,000

Exchange Price Includes New Air Silencer.  
Outright Price Includes Exhaust Manifold, Flywheel, Tank Silencers.

Heat Exchanger	Exch Price US	Outright Price US
3-71	\$ 9,500	\$ 12,500
4-71	\$ 10,000	\$ 14,000
6-71	\$ 11,500	\$ 15,000
8V71	\$ 14,500	\$ 18,500
8V92 N	\$ 16,500	\$ 24,500
12V71 N	\$ 22,500	\$ 32,000
16V92 N	\$ 38,000	\$ 47,500

Exchange Price Includes New Air Silencer.  
Outright Price Includes Exhaust Manifold, Flywheel, Tank W/P, Pipes For Raw W/P, Air Silencers.

**Rebuilt Cummins Diesel Engines**

	Exchange	Outright
KT19 / 1150 / 450	\$ 28,000	\$ 38,000
KTA19 / 1150 / 525	\$ 32,000	\$ 42,000
QSK19	\$ 47,500	\$ 60,000
KTA38 High Profile	\$ 75,000	\$ 95,000
KTA38 Low Profile	\$ 102,000	\$ 137,000
KTA50 High Profile	\$ 90,000	\$ 125,000
KTA50 Low Profile	\$ 105,000	\$ 145,000
QSK50 Engine	\$ 185,000	Includes Swing

Prices are for standard industrial engines.  
Prices subject to change for non-standard engines.

**CALL NOW!!**

Inquire about our used DDA parts Inventory & Components

**CUMMINS**

KT 19/1150	BLOCK NEW STYLE 12 BOLT FRONT.....	\$ 5,000
KT 19/1150	BLOCK NEW STYLE 11 BOLT FRONT.....	\$ 4,500
KT 19/1150	CRANKSHAFT NEW STYLE STD/STD.....	\$ 4,500
KV 50/3067	CRANKSHAFT NEW STYLE STD/STD.....	\$ 10,000
VT 28/1710	CRANKSHAFT NEW STYLE STD/STD.....	\$ 5,000
KV 38/2300	CRANKSHAFT NEW STYLE STD/STD.....	\$ 8,000
QSK 19	CRANKSHAFT NEW STYLE STD/STD.....	\$ 5,000
KV 38/2300	BLOCK NEW STYLE VALLEY COOLED STD.....	\$ 8,500
QSK 19	FRONT COVER NEW STYLE NEW TAKE OFF.....	\$ 500
QSK 19	AFTER COOLER ASSY. NEW STYLE NEW TAKE OFF.....	\$ 3,000
QSK 19	OIL PANS NEW STYLE NEW TAKE OFF.....	\$ 350

**NEW MARINE PARTS**

NT 855	WET EXHAUST MANIFOLD NEW.....	\$ 950
NT 855	MARINE THERMOSTAT HOUSING NEW.....	\$ 350
NT 855	MARINE FLYWHEEL SAE #1 NEW.....	\$ 750
NT 855	MARINE BELL HOUSING NEW.....	\$ 1,000
KT 19/1150	WET EXHAUST MANIFOLD NEW.....	\$ 1,100
KT 19/1150	3003657 CONNECTOR NEW.....	\$ 105
KT 19/1150	3004718 CONNECTOR NEW.....	\$ 115
KT 19/1150	3003662 TUBE NEW.....	\$ 80
KT 19/1150	3004716 TUBE NEW.....	\$ 85

**REBUILT BLOWERS**

3-53, 4-53, 6V53, 4-71, 3-71, 2-71, 6-71, 12V71, 6V92T & 8V92T  
EXCHANGED - \$600.00 • OUTRIGHT - \$800.00 - \$1,000.00

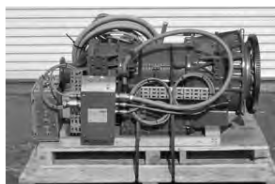
**NEW SURPLUS • NEW SURPLUS**



**SPM 3000 HP Pump**  
BAS3000, G0214-10000  
3000BHP, 12 Stroke, 7.68 Gear  
Ration, MFG 2/2014,  
\*No Fluid End - \$295,000



**FMCWT2450 Pump 4.5 FLUID END**  
WT2450, Part# P540619,  
2400HP, Speed 1950, Gear  
Ration: 6:39:1 - \$110,000



**OFS 4700 Transmission**  
SN# 6610392590, 600HP,  
Pyroban Equipment,  
Cert# PYROBAN06ATEX0121X  
\$40,000



**Pacemaker Pumps 700BHP**  
BS# 322656, 141111PTL7/576  
Fluid End BSPAR# 322690  
SN: F0914-25960, MFG 2014  
\$105,000



**Cummins QSK19 800HP**  
800HP @2100RPM, Marine  
Application ABS Certified,  
4 Available - \$50,000 Ea.



**SPM QWS 1000 Pump**  
SN# F0613-21599, 60514-10175  
1000BHP, 4.61 Gear Ration  
MFG 12/2012  
2 Available, 1 Left and 1 Right  
\$105,000



**QSB 6.7 Cummins Power Unit**  
260HP, SN# 46941797, CPL 8611  
260HP @2200RPM, MFG 2008  
\$20,000

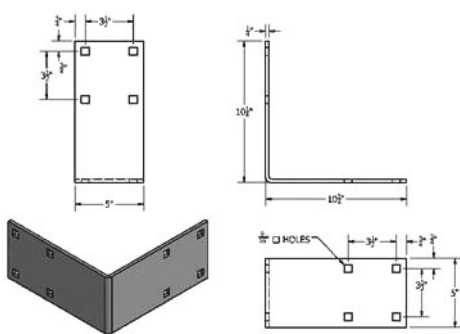


**Cummins QSX15 Power Unit**  
Tier IV Compliant, CPL 3350,  
600HP @2100, MFG 4/2012  
7 Available - \$55,000

**NEW SURPLUS  
NEW SURPLUS  
CALL NOW!!**

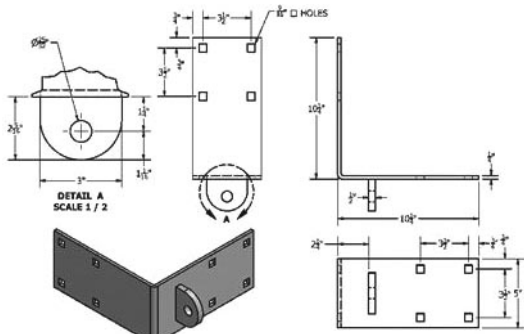
**WOOD DOCK HARDWARE**

MADE WITH 1/4" HIGH STRENGTH STEEL THEN HOT DIPPED GALVANIZED

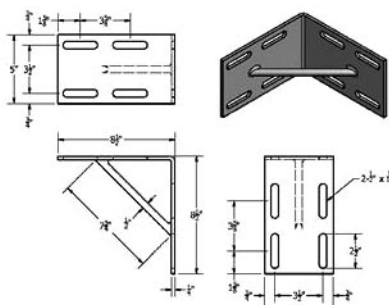


**Outside Corner End (H-OCE)** is used at the ends of fingers, ends of dock or for swim platforms.

**H-OCE Ship#7 \$12.98**



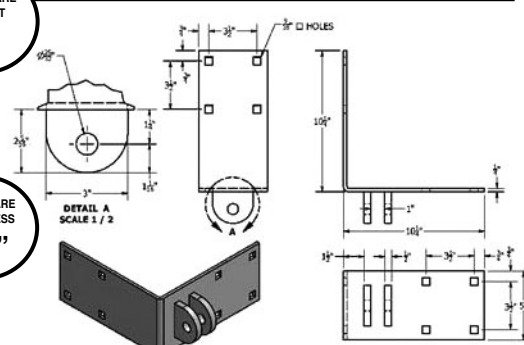
**Outside Corner Male (H-OCM)** has one 1/2" tab and a hole for a 3/4" bolt or B-PIN. Would be used with an Outside Corner Female (H-OCF) or with a Single "T" Female (H-SF). **H-OCM Ship#8 \$18.71**



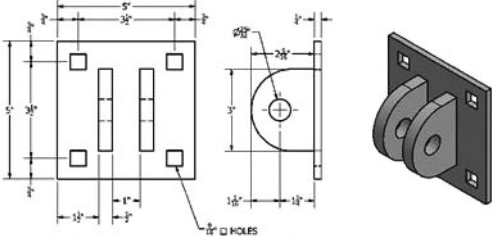
**Inside Corner (H-IC)** has slots and can be used with 1-1/2" - 3" thick wood. The inside corner sandwiches the wood between the opposite outside corner, keeping bolts from burying themselves in the wood. A corner gusset gives the unit a lot of strength and helps from racking the dock. **H-IC Ship#7 \$13.95**

HARDWARE HEIGHT  
**5"**

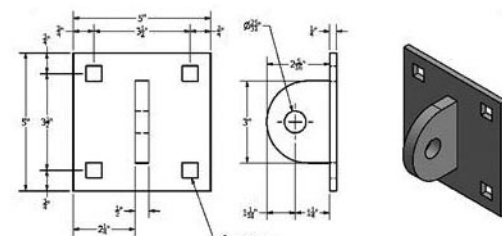
HARDWARE THICKNESS  
**1/4"**



**Outside Corner Female (H-OCF)** has two 1/2" tabs and a hole for a 3/4" bolt or B-PIN. Would be used with an Outside Corner Male (H-OCM) or with a Single "T" Male (H-SM). **H-OCF Ship#9 \$22.23**



**Single "T" Female (H-SF)** has two 1/2" tabs and is used with an Outside Corner Male (H-OCM) or a Single "T" Male (H-SM). Both male and female singles can be bolted to the side of a dock to make finger attachments. They can also be bolted to seawalls to make ramps. **H-SF Ship#4 \$13.04**



**Single "T" Male (H-SM)** has one 1/2" tab and is used with an Outside Corner Female (H-OCF) or Single "T" Female (H-SF). **H-SM Ship#3 \$9.22**

WOOD DOCK HARDWARE



**MERCO MARINE**

Merco Marine is a manufacturer of boat dock building components and accessories. We were established in 1979. Everything we manufacture is made in the United States, with US Steel, and US workers.

The products shown here are only a small portion of the over 2000 items that we manufacture and keep in inventory for boat dock building and marinas.

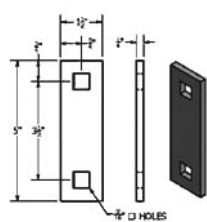
For a complete list of our products check us out on the web at [www.mercoboatdocks.com](http://www.mercoboatdocks.com) or give us a call at 304-737-3006. You can also request a free copy of our 65 page catalog.

Merco Marine can provide simple parts and pieces for your small pond or lake dock to build on site, or we can build entire marinas from start to finish.

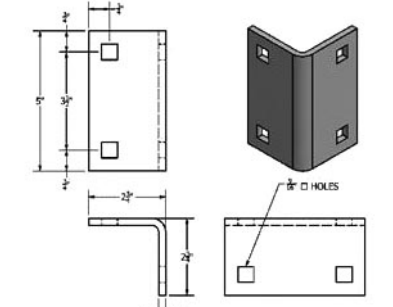
**WOOD DOCK HARDWARE WWW.MERCOMARINE.COM 1-304-737-3006**

**WOOD DOCK HARDWARE**

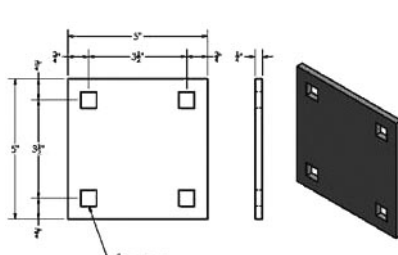
MADE WITH 1/4" HIGH STRENGTH STEEL THEN HOT DIPPED GALVANIZED



**Washer Plates (H-W)** are used mostly with Angles (H-A) and Cleat Angles (H-CA). The square hole in the plate keeps the carriage bolts from turning when the bolts are tightened. **H-W Ship#1 \$1.24**

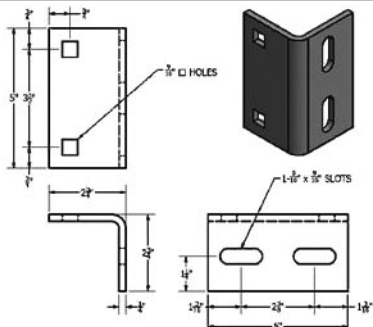


**Angles (H-A)** used to hold all cross stringers to side stringers using a Washer Plate (H-W). The wood is sandwiched between the steel and creates a solid corner. **H-A Ship#2 \$3.45**



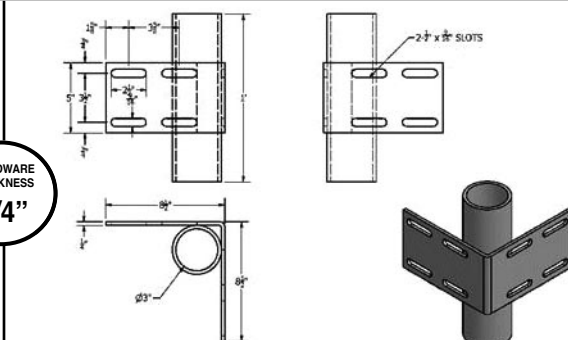
**Backup Plates (H-B)** are used with Single "T" Males (H-SM) and Single "T" Females (H-SF) for additional strength and to keep bolts from pulling through the wood. **H-B Ship#2 \$3.30**

WOOD DOCK HARDWARE

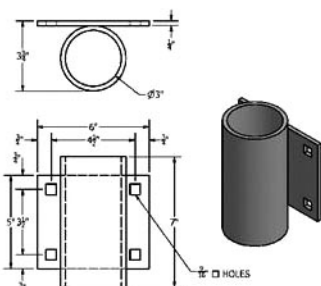


**Cleat Angles (H-CA)** have slots for various sizes of cleats. The cleat angle is bolted to the side stringer using a Washer Plate (H-W). The cleat is then bolted through the deck into the cleat angle. This keeps the cleat from pulling out of the deck. **H-CA Ship#2 \$4.88**

HARDWARE THICKNESS  
**1/4"**

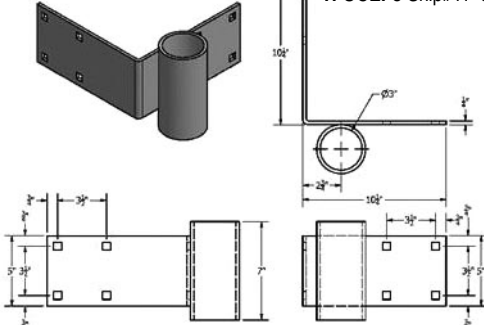


**Inside Corners/3" I.D. Pipe Holder (H-IC3)** has a 3" I.D. pipe holder welded in place. It can be used to replace a regular inside corner. It will accommodate a 2" I.D. pipe. **H-IC3 Ship#13 \$26.31**



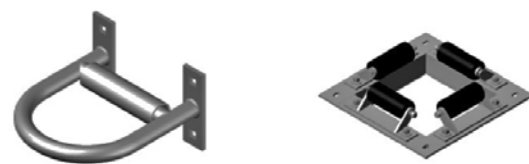
**3" Pipe Holder (P-3)** can bolt to the side stringer and uses 2" standard pipe to anchor docks in place. **P-3 Ship# 6 \$16.41**

**3" Pipe Holder (H-OCEP3)** outside corner end with a pipe holder welded to the end. 3" opening for 2" pipe. Save money by getting 2 pieces of hardware in one. **H-OCEP3 Ship#11 \$23.19**



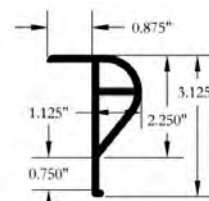
We also stock

**PILE GUIDES**



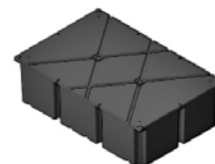
**DOCK EDGING**

Our **DE-40W** 40' Dock Edging (Shown above) comes 40' per box in easy to install 4' sections (10 per box) and includes 180 stainless ring shank nails.



**DE-40W White 40' Length 31 Lbs. \$89.95**

**FLOAT DRUMS**



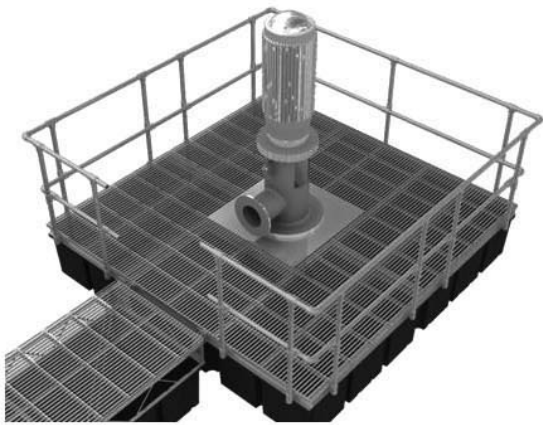
**CLEATS**



We also stock

**SQUARE INTERNAL PILE GUIDES**

For replacement roller assembly or parts see page 17.



**PUMP PLATFORMS**



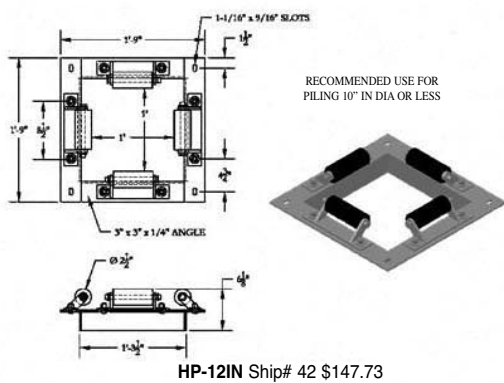
**PILE CAPS**



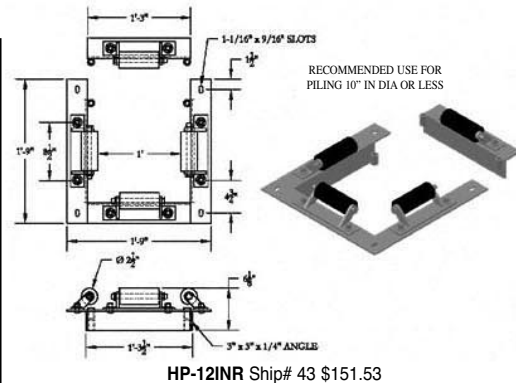
**CORNER BUMPERS**

View our complete product line on our website...

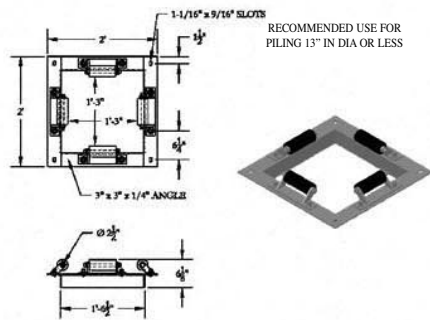
**WWW.MERCOMARINE.COM 1-304-737-3006**



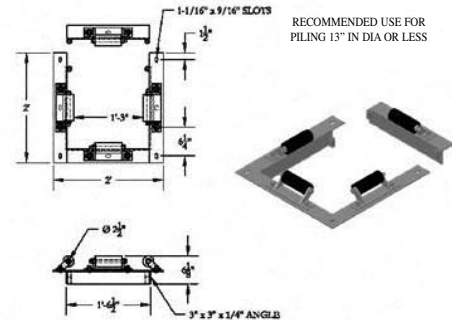
HP-12IN Ship# 42 \$147.73



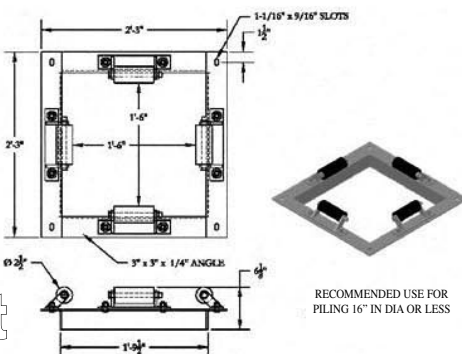
HP-12INR Ship# 43 \$151.53



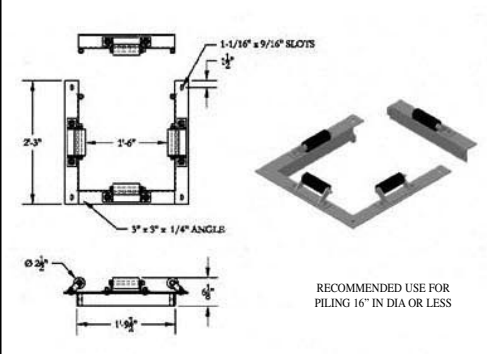
HP-15IN Ship# 53 \$162.37



HP-15INR Ship# 54 \$167.11

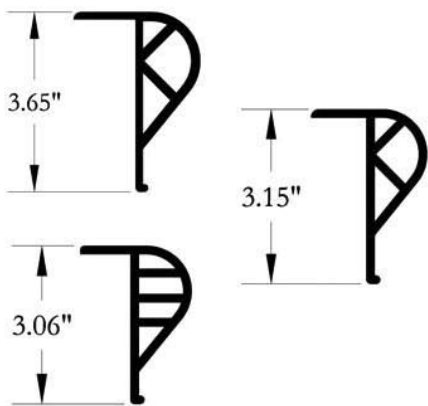


HP-18IN Ship# 58 \$170.98

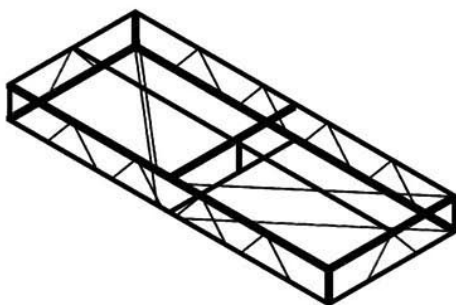


HP-18INR Ship# 59 \$175.26

PILE GUIDES



**RUBRAIL**



**TRUSS FRAMES**



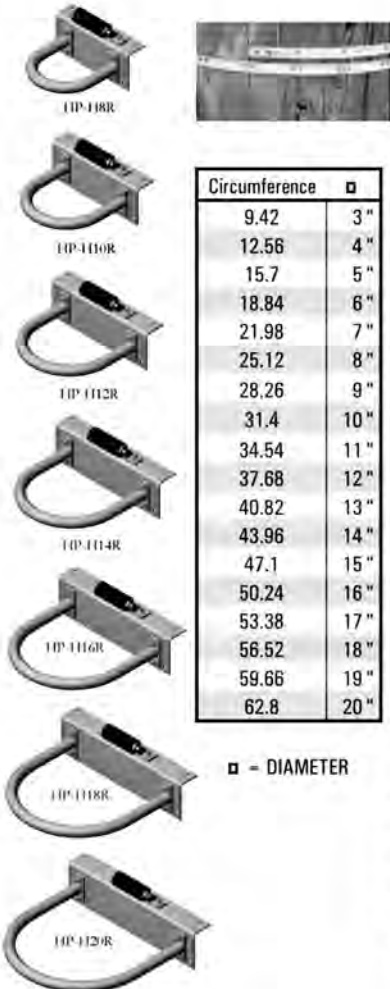
**MERCO MARINE**

**HOOP PILE HOLDERS**

Our convertible Hoop Pile Holders have 3 basic pieces, a deck plate, a hoop and a roller assembly. This allows you to have a hoop pile holder the way you want it, whether it be a permanent hoop, a removable hoop or a hoop with a roller. You can use the roller assembly on the deck plate or bolt it directly to the dock. All parts are hot dipped galvanized. Add a UHMW Roller to any assembly as shown at the bottom of page 19. All assemblies include a deck plate, hoop, roller assembly, and 6 carriage bolts. Fasteners required to bolt to your dock sold separately on page 28.

Assembly Number	Assembled Weight	□	L	L2	W	BH	BM	Hoop Number	Hoop Weight	Deck Plate Number	Deck Plate Weight
HP-H8R	25 lbs	8"	8 3/4"	10"	15 3/4"	9-3/4"	13 3/4"	HP-H8	8 lbs	HP-DP8	12 lbs
HP-H10R	28 lbs	10"	10 1/8"	11 3/8"	18 1/2"	12-1/2"	16 1/2"	HP-H10	8 lbs	HP-DP10	14 lbs
HP-H12R	30 lbs	12"	11 1/2"	12 3/4"	20 1/2"	14-1/2"	18 1/2"	HP-H12	10 lbs	HP-DP12	15 lbs
HP-H14R	32 lbs	14"	13 1/2"	14 3/4"	22 1/2"	16-1/2"	20 1/2"	HP-H14	10 lbs	HP-DP14	16 lbs
HP-H16R	35 lbs	16"	15 3/4"	17"	24"	18-1/2"	22"	HP-H16	12 lbs	HP-DP16	18 lbs
HP-H18R	37 lbs	18"	17 1/4"	18 1/2"	26"	20-1/2"	24"	HP-H18	13 lbs	HP-DP18	19 lbs
HP-H20R	38 lbs	20"	19 5/8"	20 7/8"	27 1/4"	21-7/8"	25 1/4"	HP-H20	13 lbs	HP-DP20	20 lbs

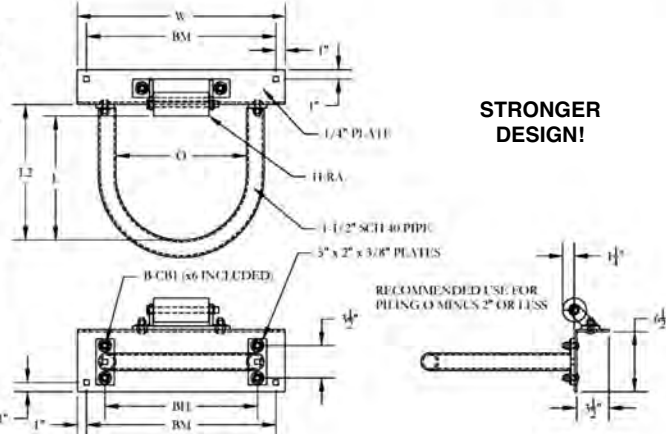
NOTES: ALL DIMENSIONS NOMINAL. DIAMETER TOLERANCE IS +/- 1/4". □ = DIAMETER



1-1/2" HOOP PILE HOLDERS

Circumference	□
9.42	3"
12.56	4"
15.7	5"
18.84	6"
21.98	7"
25.12	8"
28.26	9"
31.4	10"
34.54	11"
37.68	12"
40.82	13"
43.96	14"
47.1	15"
50.24	16"
53.38	17"
56.52	18"
59.66	19"
62.8	20"

□ - DIAMETER



STRONGER DESIGN!

Our mounting plates are 5" x 2" x 3/8" which are welded to the hoop and are used to mount the hoop to the deck plate. Our mounting plates are 33% thicker and 25% wider than most other hoop mounting plates on the market.

An easy way to determine the diameter of your existing pipe or piling is to measure the circumference and divide by 3.14. We've done the math for you with our Circumference chart to the left.

Part Number	Assembled Price	Hoop Number	Hoop Price	Deck Plate Number	Deck Plate Price
HP-H8R	\$94.88	HP-H8	\$35.93	HP-DP8	\$33.28
HP-H10R	\$99.53	HP-H10	\$38.55	HP-DP10	\$35.31
HP-H12R	\$106.43	HP-H12	\$43.42	HP-DP12	\$37.34
HP-H14R	\$111.31	HP-H14	\$47.34	HP-DP14	\$38.30
HP-H16R	\$119.62	HP-H16	\$51.91	HP-DP16	\$42.04
HP-H18R	\$125.87	HP-H18	\$56.26	HP-DP18	\$43.94
HP-H20R	\$132.16	HP-H20	\$60.61	HP-DP20	\$45.88

**Ocean Breeze** Manufacturer of Marine Air Conditioning Systems, Chillers, Water and Air Cooled Package Units, Refrigeration, Explosion Proof



6,000 to 40,000 BTU



16k to 320k BTU Air Cooled Heavy Duty, Explosion Proof



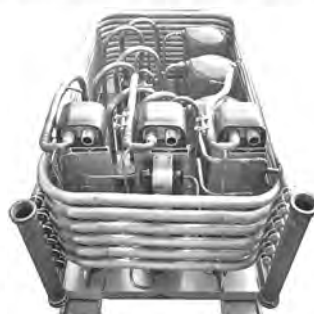
Air Conditioning Condenser Unit / Ref. Unit up to 50 HP



60,000 to 360,000 BTU Self Contained



Chiller 60,000-180,000 BTU



Triple Compressor up to 500,000 BTU

- Custom Engineering On Site
- Fast Delivery
- We ship world wide
- Water Cooled Self Contained Units for boats from 24 feet to Cargo Vessels
- Specialist to the Military, Shipbuilders
- Air-Cooled Marine Package AC for Pilot Houses
- Oil Rigs
- Marine Load Bank

On Site Manufacturing since 1993  
Contact Us Now Toll Free 1 866 227 7773

Phone: 772 220 0038 Fax: 772 220 0260

Email us at: [obr@oceanbreezeac.com](mailto:obr@oceanbreezeac.com)

Visit us online at: <http://www.oceanbreezeac.com>

Quorum Marine and Electronics Inc.

D / B / A Ocean Breeze 3920 SE Commerce Avenue  
Stuart, Florida 34997

# BARGE FOR SALE

Deck Barge 300 x 90 x 20 • 10 Metric Ton Per sqm Deck Load Capacity  
Port of Philadelphia • Ballast Tanks

For More Information Call Rick Greenberg at 609-705-3013



# PINE HILL EQUIPMENT



655 Pine Hill Rd. - Westport, MA 02790 • E-mail: [sales@pinehillequipment.com](mailto:sales@pinehillequipment.com)  
"Pictures of all equipment can be emailed upon request. Dimension sheets also available"

## Winch Inventory

### NEW PULLMASTERS IN STOCK

- (1) PL1-12-227-1 • (2) PL2-12-228-1-B
- (3) PL5-12-210-1 • (4) PL5-12-210-2 • (2) H12-3-97-1

Our Winch Inventory is constantly changing! Please give us a call about any of your hydraulic winch needs.

### M12-6-97-6 PullMaster Winch - PHE Rebuilt

Planetary winch with equal speed forward and reverse. Bare Drum = 9,756 LBS / 129 FPM, Mean Drum = 8,003 LBS / 165 FPM, Full Drum = 6,250 LBS / 201 FPM. Wire Capacity: 365 ft of 1/2" wire rope or 1510 ft of 1/4" wire rope. Rebuilt by PHE technician. Carries a 90 day warranty.

### H10-3-97-7 PullMaster Winch PHE Rebuilt

(Old model number. Current equivalent model H12) Planetary winch with rapid reverse. Bare Drum 12,101 LBS / 104 FPM / 449 FPM. Mean Drum 9,186 LBS / 152 FPM / 660 FPM. Full Drum 6,250 LBS / 201 FPM / 871 FPM. Wire Capacity: 636ft of 1/2" wire rope. 2,237ft of 1/4" wire rope. Rebuilt by PHE technician. Carries a 6 month warranty.

H8-3-30-2 - Planetary winch with rapid reverse. Bare Drum: 7,000lbs / 135 FPM / 587 FPM, Mean Drum: 5,519lbs / 184 FPM / 802 FPM, Full Drum: 4,038lbs / 235 FPM / 1,018 FPM. Wire Capacity: 231ft of 1/2" wire rope, 812ft of 1/4" wire rope. Rebuilt by PHE technician. Carries a 6 month warranty.

### (2) USED ROTZLER WINCHES

10,000 Bare drum line pull winches. Equal speed. 2000 PSI @ 65 GPM. Black powder coated with stainless steel fasteners. Condition: Like brand new & warranted by PHE for 6 months.

### MR-525 Hydrostar Radial Piston Motor RECONDITIONED

(1) Reconditioned Unit - Spline shaft is 85%, motor is clean inside. Supplied blasted and in zinc primer. Motor was entirely disassembled, inspected & resealed w/shaft saver on shaft. Motor has four bolt flange connections, not typical 6 bolt flange style. Heavy Duty, High torque, Low speed. 523.9 Cubic Inch, Max Continuous Speed: 80 RPM, Max Continuous Output: 220 HP, Max Continuous Pressure: 3000 PSI, Max Continuous Output torque: 19520 FT/LBS, Dry Wgt: 1698lbs, Call for price. See website for pictures & spec sheet.

(1) ZF IRM 320 PL-1 REVERSE GEAR 1-12-1, SAE No. 1 Bell Housing, serial no. 320-672, new never used cond. Call for price.

## Marine Cranes | Launch and Recovery | Boats | Spare Parts

Pine Hill Equipment is proud to offer marine products by:

### PALFINGER & PALFINGER NED-DECK

**CRANES** - Off-shore, ship-mounted & dock mounted cranes • Knuckle boom, telescopic boom, and stiff boom configurations • Cranes from 2.5 mt to 400 mt • Heavy Lift cranes to 3000 mt • Certified for ABS, DNV & others.

**LAUNCH AND RECOVERY** - Davits for rescue boats and life rafts • Manual, hydraulic and electric operation • A-frame, swing arm, telescopic arm, outrigger & dual point types. Automatic release safety hooks.

**BOATS** - Life rafts & fully enclosed life boats • Rescue & fast rescue craft. As well as Navy & USCG specified vessels • Daughter craft, workboats, push/pull boats • Rigid hulled inflatable boats

**PARTS** - Spare parts for all things Palfinger Marine and Palfinger NedDeck Many in stock. Fast reliable ordering service.

**PACKAGES** - Power units, winches, radio remote controls, anti-2-block systems, scales & weight systems, platforms, seats, cabs & crane skids. Spare parts, pipes & hoses. After sales & service.



## NEW MARINE CRANES IN STOCK

### PALFINGER MARINE MODELS IN STOCK

- PK4501MC - 4.2 MT/29,500 FT-LBS
- PK8501MA&C - 8.2 MT/59,984 FT-LBS
- PK11001MD - 10.7 MT/77,416 FT-LBS

See <http://pinehillequipment.com/marine-cranes/>  
For Full Spec Sheets & Availability • Used & Reconditioned Cranes Also Available • Please Call For pricing.

**MR 375 HYDROSTAR RADIAL PISTON MOTOR - CURRENTLY BEING REBUILT** - Once reconditioned this unit will be - Spline shaft 85%, motor clean inside. Supplied blasted and in zinc primer. Motor will be entirely disassembled, inspected and resealed with shaft saver on shaft. Motor has six bolt flange connections. Single Speed, Heavy Duty, High torque, Low speed., 374.2 Cubic Inch, Max Continuous Speed: 90 RPM, Max Continuous Output: 165 HP, Max Continuous Pressure: 3000 PSI, Max Continuous Output torque: 13,750 FT/LBS, Dry Weight: 1444 LBS - Price upon request.

## NEW Kawasaki "STAFFA" Radial Piston Motor

Brand New - Take Off Hydraulic Radial Piston Motor. Heavy Duty, High Torque, Low Speed. Model: HMHDB200/T/FM4 /30/PL130, Serial: 01A10151-188 Cubic Inch, Max Continuous Speed: 175 RPM, Max Continuous Output: 174 HP, Max Cont. Pressure: 3625 PSI. Full specs & price upon request.

## Custom Hydraulic Power Units! Rent or Own!

Any HP, wireless control capabilities, any GPM, any size! They are fully customizable and marine tested and proven. Below are the pictures of our standard 80HP!

### DIESEL POWER UNITS FOR RENT



Available quickly. Standard diesel HPUs up to 173 HP. Built to spec. Buy or rent. We can deliver to your jobsite. Call for availability.

## Almond Johnson LST Anchor Winch

It makes a strong towing winch. Carries 1500 ft of 1 1/2 wire rope and has 60,000 lb. bare drum line pull. The winch has been converted to hydraulic and air operated brake/clutch. The winch appears to never have been used. Hydraulics are new, installed by Pine Hill Equipment. Includes level wind.



Call ex 215 for pricing

## WIRELESS RADIO REMOTE CONTROLS



Wirelessly control all of your hydraulic equipment. Don't be stuck behind a console! Safely run your equipment with the ability to be in a better line of sight. Push button stop features allow you to remotely shut down equipment in case of machinery failure or other emergency. Remotely control your cranes, winches, deck equipment, power units and motor starters, etc. We can safely and remotely control just about anything. Call with your specifications.

200 TON SHACKLE LIKE NEW • \$1,250

DESIGN & CONSTRUCTION OF HYDRAULICALLY POWERED WINCHES AND LINE/MATERIAL HANDLING MACHINERY FOR ALL APPLICATIONS

Often Times It Is More Cost Effective To Replace Old Mechanically Driven Winch Systems With NEW Hydraulic Winches and Power Units!

## WE ARE DISTRIBUTORS OF



PLANETARY WINCHES AND PLANEMATIC PLANETARY DRIVES FROM 1,000 LBS. TO 75,000 LBS. LINE PULL

CALL OR FAX US FOR A QUOTE ON YOUR NEXT WINCH REQUIREMENT!

Website: [www.PineHillEquipment.com](http://www.PineHillEquipment.com)

PHONE (508) 636-5971 x212  
FAX: (508) 636-9067

# Kubota

## Tier 4 Final Kubota Powered Industrial Diesel Generators

### 1800 RPM Standard Equipment:

- Kubota Tier 4 Final Diesel Engine
- Epoxy-coated, brushless 1800 rpm generator
- 12VDC starting and charging system
- Murphy starting and monitoring system
- DOC-only aftertreatment
- Fuel filtration system
- Fuel priming system with transfer pump
- High ambient charge air cooling system
- Heavy-duty steel frame
- Vibration isolators
- Dry-type air cleaner
- Industrial muffler – S/L
- Solid state AVR

**Southeastern Power Products is the Authorized KUBOTA Industrial Engine Distributor for the state of Florida, the Bahamas and the Caribbean.**

**Supplying genuine Kubota parts and factory remanufactured components.**



### Optional Equipment:

- Enclosures
- Fuel tanks
- Auto start/stop
- Transfer switches
- Circuit breakers
- Critical silencers
- Battery, rack, cables

**20 kW – \$14,480**  
Kubota D1803BGCR

**30 kW – \$15,730**  
Kubota V2403BGCR

## SOUTHEASTERN POWER PRODUCTS

2880 Hammondville Road Pompano Beach, FL 33069  
Phone: (954) 979-5899  
Fax: (954) 979-4349

www.southeasternpower.com

# BOATS FOR SALE

## FROM THE MARINE DIVISION OF CAT FINANCIAL

Check out the list at  
[www.cat.com/boats4sale](http://www.cat.com/boats4sale)

Financing is available worldwide for all types of commercial applications, including fishing vessels.

We provide terms, competitive rates and repayment plans as unique as each of our customers.

For additional information or to obtain an application:  
e-mail: [CatBoats4Sale@cat.com](mailto:CatBoats4Sale@cat.com)  
phone: 615-341-8258  
fax: 615-341-8588



**Caterpillar Financial Services Corporation**  
2120 West End Avenue | Nashville, Tennessee 37203

### CLOSING DATES • SECOND OCTOBER ISSUE 2017

• To Be Mailed October 9th •

**FOR DISPLAY** October 4th  
(9:00 A.M. C.S.T)

**FOR CLASSIFIED** October 6th  
(10:00 A.M. C.S.T)

## AHOY PROPELLERS

QUALITY & PERFORMANCE THROUGH FLUID INNOVATION

2614 OAK DRIVE, HARVEY, LA 70058  
504-367-5710  
AHOYPROPELLERS.COM



**BRONZE - NIBRAL - STAINLESS**  
SIZES 24 INCH AND UP



Phone: 504-367-5710  
Fax: 504-367-5733

## Vessels, Barges, & Cranes For Sale



**32' x 40' x 4' Sectional Spud Barge and Crane.**



**20' x 8' x 4' Truck-Able Push Boat, (1) GM 471, Flanking Rudder, Keel Cooled.**



**Dry Dock 220' x 70' x 6', Capacity 2800 Tons, Reported to be in excellent working condition.**



**New Shugart Compatible Sectional Barges. Call today for a quote, and lead time.**

(30) Crewboats 22' to 150'	Starting at \$18,000
(110) Inland and Ocean Deck Barges 30' to 400'	Starting at \$15,000
(31) Spud Barges 40' to 250'	Starting at \$22,000
(45) Inland & Ocean Hopper Barges 175' to 600'	Starting at \$45,000
(7) Landing Crafts 40' to 250'	Starting at \$22,000
(6) Travel Lifts 25 ton & Up	Starting at \$25,000
(29) Utility / Supply Vessels	Starting at \$95,000
(65) Pushboats 200hp & Up	Starting at \$25,000
(70) Model Bow Tugboats 200hp & Up	Starting at \$65,000

**New & Used Truckable Pushboats & Sectional Barges Used Cranes and Draglines**

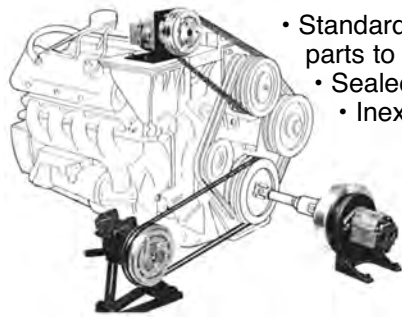
**OVER 600 ITEMS LISTED ON OUR WEBSITE**

**WWW.TMT-LLC.COM**

## Specify PITTS Heavy Duty Electric Clutches & Mounts

*Adaptable, Dependable... Easy to Install & Maintain*  
**SHAFT OR V-BELT DRIVEN MARINE CLUTCHES**

- 75 to 1500 lbs - ft • 12 or 24 VDC power supply • Compact
- Zinc plated-meets ASTM B-117 salt spray test
- SAE pump mount-several options available



- Standard drive shaft flange input requires fewer parts to connect to drive train
- Sealed bearings-no lubrication required
- Inexpensive

### PITTS

*The Clutch People*  
 Distributed/Represented  
 in Canada and the East Coast by:

### Coastal Hydraulics

28 Route 286, Seabrook, NH 03874  
 (603) 474-1914 • FAX (603) 474-1902

## 56' x 14' Landing Craft



Twin John Deere Diesel Engines • Craft Has Been In Fresh Water Only • Lake Superior  
**All Other Questions Ask • (218) 428-1860**

## 3 Tugs For Sale



**M/V Lil C - Shallow Draft**  
**Dimensions:** Length: 55' • Beam: 18' • Draft: 4' Clear Deck: 18' x 16' • Eye Level: 20', **Cap.:** Fuel: 5,000 Gal, Potable Water: 5,000 Gal., **Crew Quarters:** State Rooms: 1 • Berths: 3, **Machinery:** Main Engines: 2 John Deere 8.1 L (600 HP Total) • Aux Engines: 2 (23 KW) , Reduction Gear: with AIS • 2 Perko Spotlight • 2 Uniden VHF.

Twin Disc MG509, **Electronics:** Furuno 24 Mile Radar \*\*\*\*Sewage System\*\*\*\* • Furuno GPS

**M/V Captain Nelson - Shallow Draft**  
**Dimensions:** Length: 60' • Beam: 21', Draft: 4' • Clear Deck: 20' x 22' • Eye Level: 22', **Capacities:** Fuel: 5,000 Gal • Potable Water: 8,000 Gal, State Rooms: 2 Berths: 3 Main Engines: 2 GM Dsl. (600 HP Total) • Aux Engines: 2 (20 KW) • Reduction Gear: 3:1 Twin Disc MG509 \*\*\*\*Zero Discharge\*\*\*\*.



**M/V Tristan Duet - Shallow Draft**  
**Dimensions:** Length: 55' • Beam: 22' • Draft: 6.5' • Eye Level: 28', **Capacities:** Fuel: 9,000 Gal • Potable Water: 3,000 Gal., **Crew Quarters:** State Rooms: 2. **Machinery:** Main Engines: 2 GM 12V71 Diesels (1,000 HP Total) • Aux Engines: 2 (30 KW) • Reduction Gear: 6:1 Tonan 828, Propellers: 64 x 44 SS, 4 Blade, **Electronics:** Furuno 36 Mile Radar, Furuno GPS, AIS, \*\*\*\*Zero Discharge\*\*\*\*

**(504) 234-5075 • [Kerrylauricella@gmail.com](mailto:Kerrylauricella@gmail.com)**  
**[cjboatsllc.com](http://cjboatsllc.com)**



**70' Fiberglass Party Boat**  
 90 Passenger Certified. Dry Dock 2018  
 (3) Detroit Diesel Motors 615 HP  
**\$220,000 OBO**  
 Contact Danny (786) 897-4458



**70' Motorsailer**  
**- ALL NEW -**  
**\$260,000**  
**(424) 533-0280**

### (4) DETROIT DIESEL 8V71 NATURAL



Engines in great shape, no smoke 55N injectors, keel cool R.T.O., Tonanco TM828S 1.96:1 transmissions. 7,000 hours, easy run at 1,500 RPMS or less. Gauge clusters with 60 foot wiring harness. Battery cables. Morse single lever controls with throttle / clutch cables 50 feet. Walker Air Seps. Remote oil change pump pan valve fitting. Ready to bolt up and run.

[www.breauxbrotherpassengervessel.com](http://www.breauxbrotherpassengervessel.com)  
[ryan@blueheronfishing.com](mailto:ryan@blueheronfishing.com)



**MARINA DOCK AGE & THE DOCKS EXPO**

**DECEMBER 5-7**  
 AT THE MUSIC CITY CENTER IN NASHVILLE

**DISCOVER THE DOCKS EXPO EDUCATION!**

- Education from the very best, covering a wide range of topics affecting today's Marina Industry

- Obtain Continuing Education Units (CEU's) at no additional cost, from the University of Wisconsin-Madison



PRESENTED BY



the **docks** expo  
[www.DOCKSEXPO.COM](http://www.DOCKSEXPO.COM)





1990 Lydia 75' x 21'. Repowered 2016. Twin John Deere 6135 650 HP with new Twin Disc gears under warranty. Current USCG certified to 144 passengers. (2) 21 KW generators. AC/Heat, full electronics running daily. **REDUCED \$535,000.00**



1973 Sewart Seacraft 85' x 20'. All aluminum. Current USCG certified 180. Two decks, (3) 1271TI. (2) 20 KW Onan generators. Running daily. **REDUCED \$395,000.00 OBO**



1973 A1 Marine Fiberglass 65' x 19' Party Fishing Boat. Twin 892TI 550 HP, Twin Disc gears, Norpro 21 KW generator. Out of USCG certification. Was certified for 111 passengers. **REDUCED \$124,000.00 OBO**

**Call (609) 602-9048 For Details**  
**Info and Photos at BACKHARBORBOATS.COM**

**62' 1986 All Fiberglass A1 (100 Mile)**



Twin 892TI. Port Engine Rebuilt 01/2017, Twin Disc 514C trans, 20kw 271 + 9.5kw Nothern Lights. Large deck house & upper deck. Boat is fully equipped, (1) owner retiring. Stb Ltr 120.

**Capt Pete (516) 223-1158 • \$220K**

**New Price - 48' Chesapeake Bay Deadrise**



1970 48' x 14' x 3', New Detroit 671, Hull just re-glassed & painted, Dual Steering. Crab/Lobster/Shrimp, has new 671, new glass over. Lying Oriental, NC. See article on "sister ship" in Soundings June 2016 Page 82. Price \$39,000. Capt. Ron (518) 294-6181

**1953 65' Blount Built T-boat**



22' beam, dinner / tours. Licensed 150 pass. Rebuilt 1993. Operating on NYS Canal System since 1975. COI expires spring 2022. Drydock inspection expires spring 2021. Detroit 8-V71 300 hp rebuilt spring 2017. (1) Yanmar / Kohler 20kw. (1) Yanmar / Kohler 16kw. Includes safety and serving equipment.

**\$190,000 • (315) 685-8500 or sarah@midlakesnav.com**

**NEXT CLOSING DATES**

**SECOND OCTOBER ISSUE 2017**

• To Be Mailed October 9th •

**FOR DISPLAY**

October 4th • (9:00 A.M. C.S.T)

**FOR CLASSIFIED**

October 6th • (10:00 A.M. C.S.T)

**HEAVY DUTY WORK SPACE CANOPY**



**Paint or Fix Your Boat Car Equip.!**

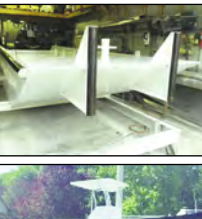
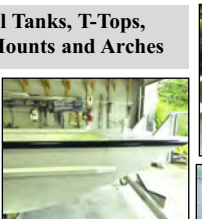
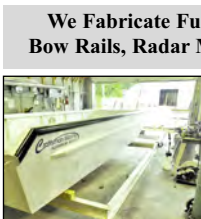
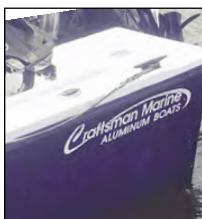
**20' W x 30' L x 12' H - \$1,250**  
**20' W x 40' L x 6.5' H - \$1,200**  
**40' W x 40' L x 15' H - \$2,700**

**(305) 965-8852**  
**storageandcanopy.com**

**Craftsman Marine ALUMINUM BOATS**

**WE BUILD BOATS FOR PLEASURE, DOCK BUILDERS, POLICE & FIRE DEPT, PARKS DEPT AND CREW BOATS**

We Fabricate Fuel Tanks, T-Tops, Bow Rails, Radar Mounts and Arches



**179 Frowein Road • East Moriches, NY 11940**  
**P: 631.400.9118 E: Craftsmanmarinealumin@gmail.com**  
**Like us on Facebook • Follow us on Instagram**



65' Lydia Double Diagonal Plank, Epoxy in and out. Twin 6-71's, 10 KW Northern Light, 8 KW Phasor, Full Dual Electronics. Ready to go. **Asking \$165,000.00**

**For Info Call Walter at (718) 763-9265**

**Available for Monthly or Yearly Lease**



**Manitowoc 4100W Series II Heavy Lift Crane Barge • Price: \$1,200,000.00**

1992, 230 Ton Crawler Manitowoc 4100W Series II sitting on a 155' x 54' x 10' Steel Barge. Barge also equipped with Generator, Welding Machine, Air Compressor, Sewage Treatment System, Office Building and Equipment Shed. Crane has 200' of boom and a 60' jib.

Contact: Troy Lombardo - 1414 River Road, Berwick, LA 70342 • Of: (985) 384-8770 • Cell: (985) 637-8775

**600 Ton Manitowoc 4600 S3/S2 Ringer**



**Your Trusted Resource for Heavy Marine Equipment**

**24 Hour Response | Portsmouth, VA**



**200 Ton Manitowoc 4000W Ringer**

**350 Ton Heavy Lift Derrick "Samson"**



**85 Ton Derrick**



**Truckable Push Tug "Teddi C"**

**Visit our website: www.crofton.com | Sales and Rentals: Mike Frohnapfel mikef@crofton.com | Office: 757-397-1131**

**Heavy Lift Capacity up to 600 Tons | Hydraulic | Conventional | Barge Mounted**

**Tug Rental: Truckables | Up to 1100 HP | Single & Twin Screw Engines**

**Barge Rental: Sectional, Spud, & Deck Barges | 20' -185' Lengths | 10' - 55' Widths | 4' - 12' Heights**

**Boats & Harbors****CLASSIFIEDS**Experience  
The Selling Power of The  
Yellow Sheet!Place Your Ad (931) 484-8708 or Email: [Tlewis@boats-and-harbors.com](mailto:Tlewis@boats-and-harbors.com) • Fax: (931) 456-2337 • Submit Online: [www.boats-and-harbors.com](http://www.boats-and-harbors.com)**★ TUGBOATS FOR SALE**

'LEONA B' Model Bow 1972, Twin V12 149 DT. 1,450 hp, 30 kW & 40 kW. Towing machine, 63x24x10, GT99. Great Lakes. (414) 588-7784

LYNX. MODEL BOW Tug, 73.5 x 25 x 9', 119 GRT, off. #: 507788. Bilt. 1967, rbt. '90, Martinolich Shipbld., Tacoma WA. Twin screw open wheel. Cat D398 main engs. rated at 915 hp ea. Cat 3192 reduction gear at 5.31:1. Gens: 2 Cat D320, 50 KW ea.. Towing winch: Almond Johnson 320SS, 1450' of 1-1/2" wire. Bow winch: Foss conversion, 200' of 1-1/8" shipwire. Fuel: 10 Tanks, 24,000 gal. Water: 3 tanks, 3,000 gal. Quarters for 5 crew. Comp. elects inc. SSB, AIS, Furuno FR 811 Radar. \$POR. Location in NY Harbor. Call office for additional information:  
1-888-MR-BARGE, (617) 984-0022  
Mark@Sterlingequipment.com

SHALLOW LUGGER 50x17, 471 (2) Gen, galley, head, two bunks, full electronics, \$35K OBO.  
BandLTowingInc@yahoo.com

DO YOU NEED MONEY? Convert that surplus marine item into cash by means of a classified ad in Boats & Harbors.

**★ BARGES FOR SALE**

(2) 195'x35'x10' HEAVY BUILT Deck / Stone Barges, \$125K OBO. Located in Paducah. Call (270) 832-2712.

(3) SINGLE SKIN BARGES 120x30x7, 125x35x6, 139x35x7. Can convert to deck barges. Sean (850) 686-3420; Chris (850) 255-5266  
[www.mbbrokerage.net](http://www.mbbrokerage.net)

110' x 34' 1943 STEEL Ex-Navy. Very Good Overall, two-story, electronics repair. Always clean, in & out. \$249,500. Seattle. (206) 225-3360  
Details: [www.PacificMarine.org](http://www.PacificMarine.org)  
E-mail: david@pacificmarine.org

86x30, 2 RAKES, 8 Compartments, \$30,000.00. (843) 729-4264

ALUMINUM WORK OR MOORING BARGE, 12x32x3 ft, 1/4 inch plate, 1/2 pipe, rub rails, (2) hatches, raked one end. (2) 10x40x4 ft steel barges, need decks, have steel plate. (860) 526-2227

BARGES FOR SALE: Deck Barges: 120' x 30', 125' x 35', 139' x 35', 240' x 72'. Spud Barges: 140' x 39', 192' x 42', 185' x 44'. Tank Barges: 195' x 35' 10KBBL, 297' x 54' 30KBBL. Pushboats: 3KHP, 2KHP, 1350HP, 2150HP, 1100HP, 800HP, 500HP. Tugs: 3KHP, 3500HP, 1800HP, 1200HP, 900HP, 800HP, 600HP, 400HP. Contact: Sean 850-686-3420 or Chris (850) 255-5266  
[www.mbbrokerage.net](http://www.mbbrokerage.net)

SECTIONAL BARGES Built. Any Truckable Size. Portable pushboats. Madison Boat and Barge, Madison Indiana. (812) 265-6255.  
[www.madisonboatandbarge.com](http://www.madisonboatandbarge.com)

SMALL STEEL BARGES: (1) 32 x 16 x 7 @ \$25,000.00; (1) 48 x 17 x 8 @ \$55,000.00; (1) 52 x 20 x 8 @ \$55,000.00. Located: S.E. Massachusetts  
Email: [Lynchmarine@comcast.net](mailto:Lynchmarine@comcast.net)

SPUD BARGE 140x80x15' Ex-Navy Barge. Located in Staten Island, NY. Call Bobby D at Sterling Equipment (617) 984-0022 for further details. Barge is ballasted with concrete counterweight and is suitable for a large crane.

X-ABS DECK BARGE, 240x72x15. \$950K. Sean (850) 686-3420; Chris (850) 255-5266  
[www.mbbrokerage.net](http://www.mbbrokerage.net)

**★ BARGES FOR CHARTER**

NEW 10K & 30K Double-Skin Rank Barges. Central Boat Rentals, Inc. (985) 384-8200  
[www.centralboat.com](http://www.centralboat.com)

SPUD, CRANE, HOPPER, Material, Carfloats, Sectionals, Oceangoing and Inland. Services include floating crane, Brooklyn NY loading berth, transportation and project cargoes, marine construction support, etc. Equipment located throughout the east coast. Call or email us for a free quote: Hughes Marine Firms. (800) 357-7744 or [info@hughesmarine.com](mailto:info@hughesmarine.com)  
[www.hughesmarine.com](http://www.hughesmarine.com)

**★ BARGE FOR SALE OR CHARTER**

FOR SALE BY OWNER: Deck Barges, Spud Barges, Material Barges, Hopper Barges; 60' x 26' to 300' x 100'. ABS and inland barges. East Coast, Gulf Coast, upper rivers. (800) 227-4348

SECTIONAL BARGES, Deck Barges, Dump Scows, Hopper Barges and Spud Barges. From 10' x 20' to 85' x 140'. Located on East Coast & NY Canal System. J-Way Leasing (440) 934-1020

**★ BARGES FOR RENT**

68'x28'x4' BARGE FOR RENT, consisting of (4) sections, each 34'x14'. (4) 12" spud wells, (2) 42' spuds. Available on or about 11/1/17. Northeast location. \$8K/month. Contact Dave Allan: [boathouse@gwi.net](mailto:boathouse@gwi.net)

NEW YORK METRO AREA 30'x90' Flat Deck Barges For Rent; spuds optional. Mobe / Demobe of contracting equipment on / off barges. Topside repairs: Welding, painting, sandblasting, etc. Used marine / industrial equipment for sale in our salvage yard, must visit! Heavy lift salvage recovery and removal. Contact: (516) 527-4951  
Visit us online: [GladskyMarine.com](http://GladskyMarine.com)

SECTIONAL BARGES RENTAL Located in Florida, 40x10x5 & 60x11x4. Contact (305) 965-8852  
Email: [barge@bargerent.com](mailto:barge@bargerent.com)

SECTIONAL BARGES. Located in Southern Calif. and can ship anywhere. Best prices. Contact (619) 533-7932  
[grant@pacifictugboats.com](mailto:grant@pacifictugboats.com)

**★ BARGES FOR SALE OR LEASE**

30,000 BBL DOUBLE SKIN Tank Barge For Sale or Lease. Less than 4 years old, asking \$2.65M. Call (985) 384-8200

FOR SALE / LEASE: 140x40x9 ABS Barge with Covers. Deck tanks 2 (54x27x6). Central Boat Rentals (985) 384-8200

**★ BARGES FOR LEASE**

BARGES SIZED from 8'x18' to 45'x120'. Also "Shugart" sectional barges & small tugs. Smith Brothers, Inc. Galesville, Maryland 20765. (410) 867-1818.

CLASSIFIED & UNCLASSIFIED Flatdeck, Crane and Spud Barges from 24'x12'x4' to 160'x54'x8'. Norfolk Barge Co., Norfolk, Virginia. (757) 545-2414 ext 245

**★ AMPHIBIOUS EXCAVATORS WANTED/FOR SALE**

WANTED, Available Marsh Buggies/Amphibious Excavators. We want to know about owners & users of these units. We will pay finders / fee rewards. Percy Ransome (888) 988-5747, (856) 797-6999.  
[www.longreachhighreach.com](http://www.longreachhighreach.com)  
[percy.res@gmail.com](mailto:percy.res@gmail.com)

CLEAN OUT YOUR STORAGE TODAY! Sell it in Boats & Harbors! Call us today at (931) 484-6100 or place your ad online at [www.boats-and-harbors.com](http://www.boats-and-harbors.com)

**★ DREDGES FOR SALE**

12x10 SWINGING LADDER DREDGE, DMC model, 3408 Caterpillar power, approx. 3000 LF of HDPE 12 inch plastic pipe, 500 gallon fuel barge, Lowe dredge tender skiff, parts trailer & pipeline floats, floating discharge rubber. Package price: \$250,000 firm. Any additional information upon request, please call (954) 568-0007.

AAMCO DREDGE 12" CAT 3412 & 3306, diesel powered, 50' ladder, in excellent condition. Also rebuilt 12" booster available + 4000' SDR17, job ready. Call for details (215) 624-2221.

**DREDGES FOR SALE, Rent, Lease, Purchase. New, used, rebuilt. We can build to meet your needs or we can sell you one you can rebuild. From the smallest to the largest, call us first! We will save you money! If you need to sell a dredge, call us, we are also buyers. Western Dredge & Supply Co. (936) 273-3228 [www.westerndredge.com](http://www.westerndredge.com)**

WE SELL USED / Refurbished Dredges! Dredge Central, LLC is your best source for used cutter-suction dredges. Our team has more experience refurbishing and rebuilding used dredges than anyone else in the industry. We have dredges ranging in size from 8" to 14" or 16" in our inventory right now, with more on the way. And call us first for good used pumps, boosters, pushboats and dredge parts of all kinds. We're buying dredges, too! Call James Morris, Larry Fleeman, or Jeff Mayes. Dredge Central, LLC - Goodlettsville, TN. (615) 859-3733  
[www.DredgeCentral.com](http://www.DredgeCentral.com)

**★ DREDGES FOR RENT**

10" DREDGE FOR LEASE. 28' Digging Depth. Contact: (207) 233-9268

NEED HELP PLACING A CLASSIFIED AD? Call us today! 1-931-484-6100 Or go online to [www.boats-and-harbors.com](http://www.boats-and-harbors.com)

**★ DREDGE EQUIPMENT FOR SALE**

DREDGE EQUIPMENT - Booster Pump For Sale or Lease 12" x 10" Cat 3406. 4,000' 12" SDR 17, 6,000' SDR 10", 12" ball joints. Call (440) 934-1020

McELROY ROLLING FUSION Machine 4-12 (for Fusion dredge pipes), year 2000, price \$17,500. (305) 965-8852  
Email: [barge@bargerent.com](mailto:barge@bargerent.com)

USED 12" HDPE SDR 17 Pipe, Approx. 9,000 LF. Used 8" HDPE SDR 17 pipe, approx. 2,000 LF. Call for pricing. (207) 233-9268

**★ DREDGE EQUIPMENT SALE OR LEASE**

FOR LEASE OR SALE. 1980 KORI Marsh Buggie - GM Power. (440) 934-1020

**★ DREDGING EQUIPMENT FOR RENT**

FOR RENT 6" VMI Dredge with Pipeline. (440) 934-1020

**★ DREDGE PIPE FOR SALE**

USED 10" HDPE SDR 17 Pipe Available, 7,000 LF, in Florida, price \$6.00 LF. (305) 965-8852  
Email: [barge@bargerent.com](mailto:barge@bargerent.com)

**★ ENGINES FOR SALE**

(1) RTO 12V71 TI, runs strong, (1) 12V71 TI, complete for parts, \$8,000.00 pair. Long Island. Call (631) 872-2445.

(2) 12V-71 RTO. (2) 3-71 30 KW Gen Sets RTO. \$8,900 for all. Ask for Tony. Ph: (225) 938-5224

(2) 3116TA CAT 300 HP Rebuilt. (2) 3208TA 355 HP with gears. Call Mike Cobb @ Key Power (888) 463-0099.  
[kpsi1@msn.com](mailto:kpsi1@msn.com)

(2) 450 HP, 7.8 L FORD Diesels marinized by Merlin. Overhauled with 40 hours. Run great. \$10,000.00 / both. Texas. (979) 417-8594

(2) CUMMINS M555 215 HP marine diesels, fresh water cooled, running take outs and (2) extras for parts. Total of 4. \$3,000.00. Todd Sherman (714) 325-8181

(2) MAN LE409, 1550 HP, 1 RTO, 1 Blown, no gears, \$20,000 pair. (772) 475-8900

(2) REBUILT MARINIZED C-15/C-18 Engines, stainless manifolds and coolers, currently set up as twin turbo @ 1000 hp, can be detuned to 600 hp, \$25K per engine. Please call Chris (757) 286-5143.

(1) DETROIT 6V-92TAB, Running Take-Out, bobtail, \$6,500.00. (2) Detroit 6V-53 cores, \$3,200.00 pair. (2) Detroit 8V92TI, with Allison gears, 1.5 running take outs, \$29,500.00 pair. (2) Detroit 6-71 N, take outs, \$4,000.00 pair. (2) Detroit 16V 92TA for parts. (2) Cummins 6BTA 330 HP bobtail, rebuilt, \$17,500.00 each. Cummins 903 parts. (2) MAN 1300 HP, running take outs with Twin Disc MG5145 gears 1.75:1, \$65,000.00 pair. Florida Marine Tech (561) 844-7007

16V-71TT DETROIT DIESEL Engine, 590 running hours since new. 3516 Cat. diesel engine serial #252 01100. Arrang #7C1301, 437 running hours since new. Ex standby generator engines, good pricing. Call Doug for pictures or more information. (902) 883-1611, (902) 456-0546 or  
Email: [info@coresworldwide.com](mailto:info@coresworldwide.com)

**CATERPILLAR REBUILT Marine Engines: All models: 3116's, 3126's, 3208's, 3196's 3412's OEM parts and warranty. (781) 837-5424**  
[twindiscgears@aol.com](mailto:twindiscgears@aol.com)

ALCO (1) NEW 16-251F 8 CTWT crankshaft, EMD (1) each 16-645F3, heavy duty block, partial engine T/O, both items priced for quick sale. Call (814) 502-5786 or  
Email: [ssipa@frontiernet.net](mailto:ssipa@frontiernet.net)

CUMMINS NEW MARINE Long Blocks. Cummins new 6BT5.9 Marine Diamond series long block 280-370 HP in-line pump. CPL's 1975, through 8457. Cummins new 6BT5.9 marine long block 250-300 HP Nippondenso pump. CPL's 953, through 1928. (901) 833-1347

CUMMINS PAIR QSB5.9M, 305 @ 2,600, bob tail, keel cooled, very low hour take outs, \$18,900 each or \$36,000 for pair. Cummins trades considered. Call Dan (708) 702-0080.

CUMMINS 6BTA 5.9M, 210 @ 2,600, exchange only, Cummins new parts warranty, \$11,900. Call Dan (708) 702-0080.

EMD 16-645 MARINE'S Roots Blown 12-645E2 Marine. Good condition. Also: FALK-Reintjes reduction gears. Buddy Garrett (662) 347-4869  
[buddyinc1@yahoo.com](mailto:buddyinc1@yahoo.com)

**KEY POWER SYSTEMS DDC/MTU, CAT, Cummins. Surplus new, used, rebuilt. Many models avail. Your source for all your engine needs. Many So. Fla. yacht repower removals. ZF Twin Disc & Allison gears avail. Contact Mike Cobb TL Free (888) 463-0099.**  
E-mail: [kpsi1@msn.com](mailto:kpsi1@msn.com)  
[keypowersystems.net](http://keypowersystems.net)

A PICTURE IS WORTH a thousand words! Run a display ad today! (931) 484-6100 or You can place your ad at [www.boats-and-harbors.com](http://www.boats-and-harbors.com)

Pair 3406 DITA 402 HP & Rebuilt 3208TA 435 HP. Call (781) 837-5424.  
[twindiscgears@aol.com](mailto:twindiscgears@aol.com)

PAIR PERKINS 6.354 Take Outs, 120 @ 2800, one bobtail, one with gear, heat exchange cooled. \$1,900.00 for pair. Call Dan (708) 702-0080.

PAIR RTO DETROIT 8V71N Allison 2:1 transmissions. 4,900 hours. These were just removed from an older wooden Chris Craft and appear to have been used in fresh water. Sold as is. Will run for buyer. Buyer responsible for shipping. (510) 435-6783

REBUILT DETROIT DIESEL Engines - 4-71's, 6-71's, 8-71's, 8V92's, 12V71's. Marine, industrial or automotive. Power units. Also Allison or Twin Disc marine gears. A complete line of Cummins parts and engines. We are authorized Detroit and Cummins "Dealers". For more information contact Johnson's Diesel Service, Inc., at (228) 392-1311 or 12262 Parker Creek Road, Biloxi, MS 39532. Fax number (228) 392-0096. Special discounts for large quantity orders. We have a full inventory of rebuilt engines ready for delivery.

REPOWER WITH CUMMINS B5.9 & C8.3, over 200 built, have references. Call (619) 816-0806 or (541) 787-5477.

RUNNING 3606 CAT For Sale. Complete, still in vessel. Able to do sea trial before pulling M/E out. Reintjes 5:1 gear box, and Markey tow winch also available off of the vessel. Will sell components individually, package deal, or the entire running tugboat. (650) 580-0342

SELLING 535 HP 3406 CAT, running takeout on a two year rebuild with Twin Disc 5114A transmission. Asking \$15,000. (305) 853-6222  
[cnfisheries@gmail.com](mailto:cnfisheries@gmail.com)

**CONTINUED ON PAGE 28**

# Modular Plastic pontoons

The Best Idea Since the Indian Canoe

36 and 24-inch Diameter Sizes



The Alley Cat "Pilot House"  
Triple Tube 24" DIA

## NEW 36" DIA MODULES

Bow Module (36")



Middle Module (36")

Stern Module (36")



Wilson pontoons are used for pontoon boats, houseboats, barges, bridges, work boats, party boats, pumping stations—they're perfect for any application that uses pontoons. Features include:

- Molded from sturdy, medium density polyethylene (MDPE)
- **Heavy-duty:** modules have 1/4" - 3/8" thick walls and are filled with closed cell polyurethane foam for greater structural stability—Wilson pontoons will withstand greater impact than aluminum pontoons
- **Modular:** separate bow, middle, and stern modules allow for configurations of the most popular application sizes
- Rectangular collar has threaded stainless 3/8" molded inserts for quick attachment
- **Maintenance free:** no bottom painting is needed—just pressure-wash to clean
- UV protected



2869 Charlevoix St.  
The Villages, FL 32163  
419-675-0002  
toll free: 877-456-2531  
email: info@wilsonpontoons.com

[www.plasticpontoon.com](http://www.plasticpontoon.com)

## HIGH SPEED CATAMARAN FOR CHARTER



New 150 Passenger  
Ava Pearl  
Trim Tab Ride  
Control System

Gladding-Hearn "INCAT" high-speed ferry is available for Charter with crew beginning September 2015 through May 2016.

AVA PEARL - 150 Passengers, two levels, 2 restrooms, 5 Flat Screen TV's, full AC or heated climate controlled Business-Class interior and features the latest MDI Trim Tab Ride-Control System. This ferry is powered by (2) MTU 12V4000 M53 engines and (2) ZF Propellers. Service speed is 29.5 kts. fully loaded with luggage - top speed 30 kts.

If you are looking for a reliable fast ferry that has a proven track record to supplement your fleet or start up a new service call Rhode Island Fast Ferry. We also offer various fast ferry Consulting Services as well.

Charles A. Donadio 401.255.9118 or email [charlie@vineyardfastferry.com](mailto:charlie@vineyardfastferry.com)

## CLOSING DATES • SECOND OCTOBER ISSUE 2017

### FOR DISPLAY

October 4th, 2017  
9:00 A.M. C.S.T

### To Be Mailed

October 9th, 2017

### FOR CLASSIFIED

October 6th, 2017  
10:00 A.M. C.S.T

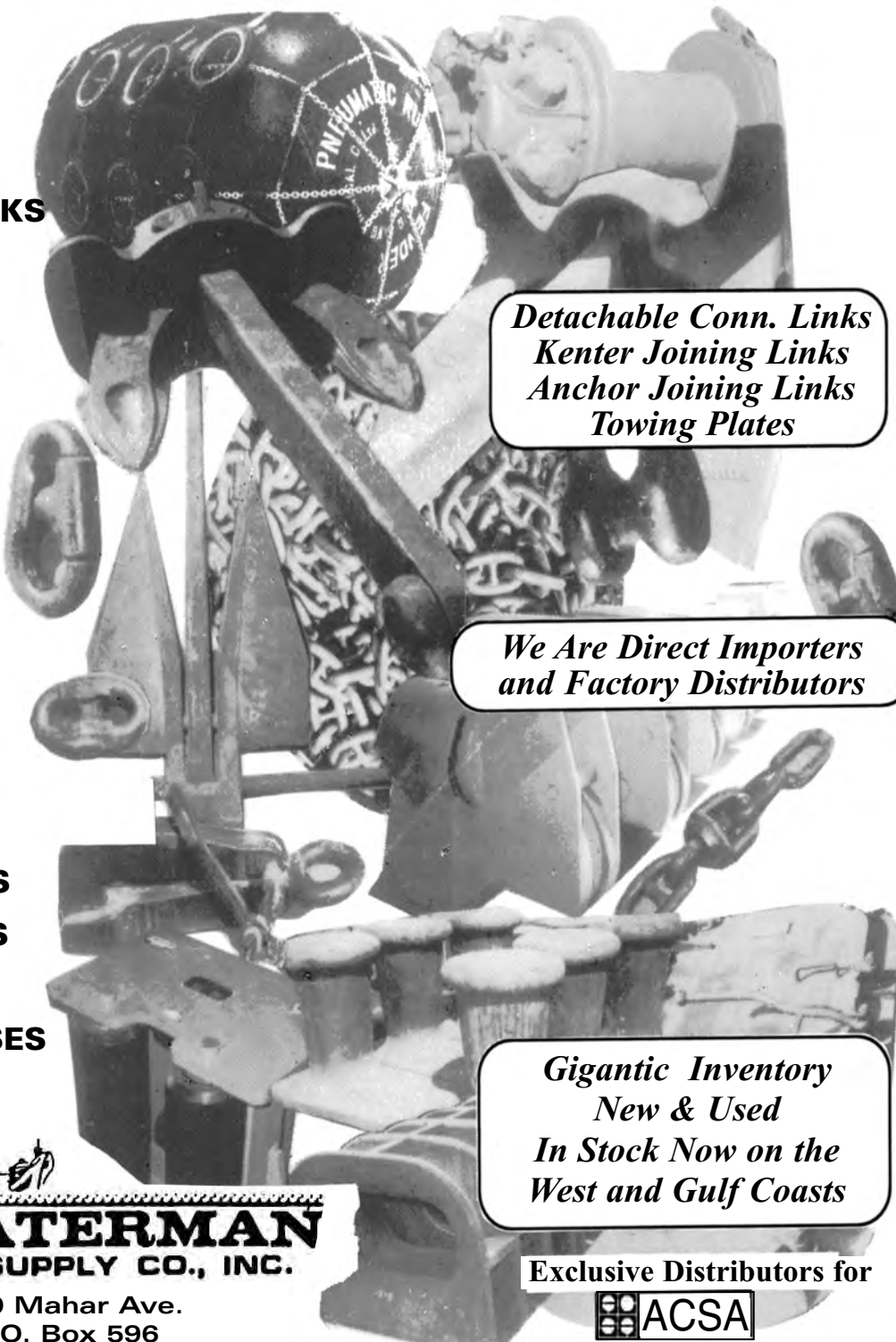
## SERVING THE MARINE AND OIL INDUSTRY FOR OVER 50 YEARS

ANCHORS  
CHAIN  
CONN. LINKS

FENDERS  
CHOCKS  
BITTS

KEVELS  
DOORS  
HATCHES

FAIRLEADS  
CAPSTANS  
WINCHES  
WINDLASSES



Detachable Conn. Links  
Kenter Joining Links  
Anchor Joining Links  
Towing Plates

We Are Direct Importers  
and Factory Distributors

Gigantic Inventory  
New & Used  
In Stock Now on the  
West and Gulf Coasts

Exclusive Distributors for



Products

Anchors • Chain • Hardware • Fittings

[www.watermansupply.com](http://www.watermansupply.com)



910 Mahar Ave.  
P.O. Box 596

Wilmington, CA 90748

800-322-3131 • (310) 522-9698

Fax: (310) 522-1043

Call Toll-Free  
(800) 322-3131

## \*STEEL PIPE\*

### NEW & USED STEEL PIPE

FOR: Piling, Spuds, Dredging,  
Ballards, Floats, Casing, Etc.

### CURRENT SPECIALS

- 30,000' 8-5/8" O.D. x .188"/.500" wall pipe
- 15,000' 10-3/4" O.D. x .250"/.500" wall pipe
- 20,000' 11-3/4" O.D. x .534" wall pipe
- 40,000' 12-3/4" O.D. x .250"/.750" wall pipe
- 10,000' 16" O.D. x .250"/.500" wall pipe
- 15,000' 24" O.D. x .312"/.750" wall pipe
- 30,000' 36" O.D. x .375"/.750" wall pipe

Plus many more sizes!

Call Anytime on 2"-46" Dia pipe

DELIVERY ANYWHERE IN:

US/CANADA/MEXICO/CARIBBEAN

CRESTWOOD TUBULARS, INC

Phone: (314) 842-8604

Fax: (314) 842-9064

Toll Free (US) 800-238-7473

Email: [info@crestwoodtubulars.com](mailto:info@crestwoodtubulars.com)

[www.crestwoodtubulars.com](http://www.crestwoodtubulars.com)

## "EQUIPMENT DETAILS ARE ON WEBSITE"

[www.triplecmarine.com](http://www.triplecmarine.com)



1, 2 & 3 Drum Friction Winches,  
2 Ea. Clyde Frame 8 Double Drum,  
American 55B, 70B, 90B, 120B.



2 Ea., 38" Westec Power Blocks  
\$30,000 Ea.

## TRIPLE "C" MARINE

PO Box 885

Morgan City, LA 70381-0885

Phone: 985-384-9517

[www.triplecmarine.com](http://www.triplecmarine.com)

**Boats & Harbors****Maximize Your Profit - Minimize Your Cost!!**  
**CLASSIFIEDS***Experience*  
*The Selling Power of The*  
*Yellow Sheet!***Place Your Ad (931) 484-8708 or Email: [Tlewis@boats-and-harbors.com](mailto:Tlewis@boats-and-harbors.com) • Fax: (931) 456-2337 • Submit Online: [www.boats-and-harbors.com](http://www.boats-and-harbors.com)****★ ENGINES FOR SALE**

**TWO (2) CATERPILLAR C32 Marine Engines. 1,800 HP, heat exchanger cooled, throttle position sensor, Ring Power warranty, \$106,500 each. Call Ring Power: Lyndon Schultz (904) 494-1278 or Victor Flores (904) 494-7311.**

TWO RUNNING TAKEOUTS Volvo TAMD 72A's and 2 cores for parts and heads, liners / pistons bearings for rebuild of one of the engines. \$6,000. (305) 360-1360

VOLVO TAMD71A. Approximately 6,000 hours, bobtail, clean, 380 hp, running take out, available mid October, currently still in boat. \$6,000.00 firm, cash only. (508) 472-0388

**★ ENGINES WANTED**

ALWAYS BUYING Caterpillar, Cummins and Detroit Diesel Engines Any Condition. Matt / Randy (307) 885-4724.

DET., CAT., CUMM., Always Buying Complete Engines or Good Cores. Large export demand. Call Mike Cobb @ Key Power Sys. (888) 463-0099 or Fax (954) 927-6621. [kpsi1@msn.com](mailto:kpsi1@msn.com)

DETROIT 8V71 Running Takeout, Wanted for youth training vessel, East Coast. Tax deductible donation or reasonable price. Leave message: (917) 636-3664. Email: [SeaScoutShip243@aol.com](mailto:SeaScoutShip243@aol.com)

WANTED: ALL CAT Engines and Gen Sets, especially marine 3408 & 3412 and industrial & gen set, 3406, 3408, 3412, 3512 and 3516. Also, natural gas Cat & Waukesha. We pay top \$. Kris Davenport phone (602) 333-5619 or fax (602) 333-5618.

**★ ENGINE PARTS FOR SALE**

98" 800 HP MAN Diesel, needs work or for parts. With or without gear. \$18,000 B/O. (508) 990-2065

CUMMINS DIESEL Parts - Used, Rebuilt, New VT8370M, V8300M, V903M, V555M. Phone: (954) 321-6863

**DIESEL ENGINE PARTS, Alco 539, 244, 251, Fairbanks, Cleveland, G.E., many others. Vintage 1940's, 1950's, 1960's, etc... Striegel Supply Inc. (425) 423-9100 [ssiwa@frontier.com](mailto:ssiwa@frontier.com)**

NEW AND USED Detroit Diesel Engine Parts, S53, 71, 92 and S60, heads, blower, blocks, cylinder kits, injectors, manifolds, raw water pumps, fresh water pumps, fuel pumps, intake silencers and much more. Leid Diesel Service, 2952 West Carson City Road, Sheridan MI. 48884, (616) 754-5871, Fax (616) 754-8359, Email: [timothy@leidiesel.net](mailto:timothy@leidiesel.net)

**TURBOCHARGERS!!! One Year Warranty.** Cat, Cummins, Yanmar, Perkins, Det. Diesel, Volvo, MTU, ABB, MAN, EMD. Int. Sales & Service. KKK, Rajay. (305) 743-2920 [ramturbo@bellsouth.net](mailto:ramturbo@bellsouth.net)

**★ GEARS FOR SALE**

REBUILT TWIN DISC MG502-540's. All models and ratios. MG 527, 5.17:1's. Used parts & gears. (781) 837-5424 Email: [twindiscgears@aol.com](mailto:twindiscgears@aol.com)

(2) ALLISON, 4.5 to 1, low low hours, priced to sell. (920) 712-4794

2 TWIN DISC 511C, good working order, 2.5:1, \$9,000 pair. (1) Twin Disc 514C, 2.5:1, \$4,000. (631) 872-2445

ADVERTISING WITH US is easy as 1, 2, 3. Give us a call! (931) 484-6100 or see us on the web at [www.boats-and-harbors.com](http://www.boats-and-harbors.com) to place display or classified ad.

2 V DRIVE DD-5112AC, Ratio 1.52:1 Twin Disc, never used. Frank at (727) 742-4041

VELVET DRIVE By Borg-Warner, Hurth, Capitol, Paragon, Twin Disc, Newage, Walter, Crusader V-drives, BPM, PCM & ZF, large inventory of new & rebuilt units. Complete repair facility with factory trained technicians! Transmission Marine, Inc. (800) 462-8848 ext. 427 Visit: [www.marinegears.com](http://www.marinegears.com)

(2) ZF 550A, 1.75, #1 Housing \$9,500.00 Each. (1) ZF BW165, rebuilt with warranty, 1.5 #1 housing, trolling valve, \$5,900.00 OBO. (1) ZF BW165 take out 1.5, #1 housing, \$4,600.00. (2) ZF BW 195A, 1.75 T.V., #1 housing, \$9,500.00. (2) ZF BW 195, 1.5, #1 housing, \$6,500.00 each. (2) Twin Disc MGNV 232 E, 1.5 #1 housing, trolling valves, \$5,900.00 each. (1) Twin Disc MG-506, 2:1, #3 housing, \$2,500.00. (2) Twin Disc MG 509-1, 2.0 #2 housing, \$4,750.00 each. (1) Twin Disc MGX 6599A, 2.48 #1 housing, \$16,000.00. (1) Twin Disc 5111A, 2.1, #2 housing rebuilt, \$6,500.00. (2) Twin Disc MG 5111, 1.74:1, #2 housing, trolling valves, \$9,500.00 pair. (2) Twin Disc MG 510A, #2 housing, 1.5, \$8,000.00 pair. (1) Allison M20L, \$2,500.00. (1) Borg Warner Velvet Drive, rebuilt 1:1, \$1,200.00. (1) Capitol 25,000, 2:1, \$7,500.00. (1) Capitol 24,000, 2:1, \$6,500.00. (2) Capitol 10,200, 1:5, \$2,500.00. Florida Marine Tech (561) 844-7007

**TWIN DISC GEARS: New, Surplus, Rebuilt. OEM warranty, all models, dealer pricing. (781) 837-5424**  
Email: [twindiscgears@aol.com](mailto:twindiscgears@aol.com)

HAVE MARINE PARTS YOU NEED to sell? Let Boats & Harbors help you! (931) 484-6100 or place your ad online at [www.boats-and-harbors.com](http://www.boats-and-harbors.com)

CALL FOR BEST PRICING on ZF, Twin Disc, Allison, and Capitol marine gears, new, used, or rebuilt. Contact: Mike Cobb @ Key Power Systems (888) 463-0099, Fax (954) 927-6621 [kpsi1@msn.com](mailto:kpsi1@msn.com)

**CAPITOL MARINE GEARS and Parts, HY22000, 4HE10200, 4HE12400. All models. (954) 321-6863**

MG507 3:1 & MG506 2:1's. Twin Disc MG514C & MG507-1 any ratios. Call (781) 837-5424. [twindiscgears@aol.com](mailto:twindiscgears@aol.com)

ONE PAIR ZF GEARS IRM 350 AL, 1.285 to 1, fit SAE #1 bell housing, like new, around 200 hrs. Ser #93-09752 and #93-09753, excellent condition. \$10,800 OBO. Chris @ 1-(860) 460-0767 or [chm@terrafirmus.com](mailto:chm@terrafirmus.com)

TWIN DISC Direct Replacement Gears: MG 509, MG514, MG516, MG5170 MG5135, MG5222 & others at half the cost. C & B pad LPTO drives. Trolling valves. Full factory warranty. Call (781) 837-5424 or Email: [twindiscgears@aol.com](mailto:twindiscgears@aol.com)

PAIR ZF BW165A, taken off MTU 12V183 TE93, which were removed from 80' Lazara. \$12K for the pair. (410) 251-6637

**RMISERVICES.COM (504) 347-4361 New Orleans, LA. Twin Disc: all torque converters CF 10,000 Series; gears (MG509, 512, 514, 520, 521, 527, 540) all ratio, exchange or outright! Free tear down with itemized rebuild quote, don't be fooled by half rebuilders.**

TRANSMISSIONS. I Have 2 Running Takeouts. ZF 280A, 2.5:1, port and starboard, \$1,800.00 each OBO. Also have 1 brand new in box ZF 280A, 2.5:1, \$4,900.00 OBO. All with damper plates & oil coolers. Call Don, Ocean City, MD. (386) 931-8368 or Email: [captton@pobox.com](mailto:captton@pobox.com)

TWIN DISC (1) MG514C 5.16:1 #1 housing; (1) Tonanco 3:1 729S - just like MG509 3:1; (1) top mount power take off for MG514. Other gears upon request. We can overhaul your gear in our shop. (409) 682-5118; (409) 256-6066 [Twin\\_clutch@yahoo.com](mailto:Twin_clutch@yahoo.com)

ZF 220 GEAR, 3.00 ratio, rebuilt, \$3,900. ZF 220 gear 3.00 ratio, rebuildable core unit \$1,500. Call Dan (708) 702-0080.

ZF 310 MARINE GEAR, 2:1 gear ratio with a #2 housing. Freshly rebuilt and painted. Located in Gloucester, MA. Asking for \$6,000 or best offer. (978) 740-3720

**TWIN DISC & ZF, New or Rebuilt, All Models, OEM warranty. Torsional couplings and coolers. (781) 837-5424**  
Email: [twindiscgears@aol.com](mailto:twindiscgears@aol.com)

**★ GEAR PARTS FOR SALE**

ALLGIRE FOR SALE. Parts and Service On Allgire Boat Drive Units. Call for pricing. (337) 334-5117 or E-mail: [marvinsengine@bellsouth.net](mailto:marvinsengine@bellsouth.net)

LARGE INVENTORY of New, Used, Obsolete & Rebuilt Transmission Parts & Related Accessories. Stocking: dampers, couplings, oil coolers, heat exchangers, suerdrives, & Globe impellers, mounts & drivesavers. Up to 50% off on used items. Transmission Marine, Inc. (800) 462-8848 ext. 435 Visit: [www.marinegears.com](http://www.marinegears.com)

TWIN DISC PARTS, Transmissions, PTO's, torsional couplings, coolers. (781) 837-5424 Email: [twindiscgears@aol.com](mailto:twindiscgears@aol.com)

**★ GENERATORS FOR SALE**

**NEW REPLACEMENT MARATHON Generator Ends In Stock, all sizes. Call Ring Power Cat: Lyndon Schultz (904) 494-1278, Victor Flores (904) 494-7311**

(1) ONAN 6500 RV Gas Unit, 2,800 Hours, \$1,600.00. (1) Onan MDKBF 27.5, 24 volt, \$9,800.00. (2) Onan MDKBR 21.5, 24 volt, \$9,300.00 each. (1) Kilo Pak 27 KW, \$6,500.00. (1) Kilo Pak 27 KW, running takeouts, \$6,900.00. Florida Marine Tech (561) 844-7007

**LOW HOUR QUALITY Pre-Owned CAT Diesel Generator Sets and Other. Call Ring Power Cat: Lyndon Schultz (904) 494-1278, Victor Flores (904) 494-7311**

80KW GENERAC Generator Set, 277/480VAC, 156 hours, automatic transfer switch, 5.0L diesel, 105 gallon fuel tank, sound deadening enclosure, fully serviced, load tested. \$8,500. (360) 459-1395

**ONE (1) PRE-OWNED CATERPILLAR 29 kW, C2.2 Marine Genset, 240V phase 1, elec governor, heat exchanger cooled, \$6,500. Call Ring Power: Lyndon Schultz (904) 494-1278 or Victor Flores (904) 494-7311.**

BOAT GENERATOR REBUILDERS. Sale, service and repair. (844) GEN-KING. All brands available. Nationwide delivery. 3-100 KW. Load bank tested with warranty.

**ONE (1) NEW CATERPILLAR 275 kW SR4B Prime Power Marine Generator, \$15,800. Call Ring Power: Lyndon Schultz (904) 494-1278 or Victor Flores (904) 494-7311.**

CUMMINS 4B3.9M 30 KW, 110/220 volts, 3 phase gen set, used set, runs good, \$3,900. Call Dan (708) 702-0080.

**TWO (2) NEW CATERPILLAR 113 kW SR4B Prime Power Marine Generator, \$24,500 each. Call Ring Power: Lyndon Schultz (904) 494-1278 or Victor Flores (904) 494-7311.**

POWERFUL RESULTS: Increase your sales with a classified ad. Boats and Harbors can give your business the kick in the right direction it has been needing. Call Now: 931-484-6100 or Email: [tewis@boats-and-harbors.com](mailto:tewis@boats-and-harbors.com)

**LARGEST STOCK DETROIT 2-71 Generators and Parts in the Whole World. Emerson & Matkin "The Deuce" 1-(800) 387-4972 (208) 234-4436**  
[www.deucepower.com](http://www.deucepower.com)

TWO (2) CUMMINS / ONAN 175 KW Generator ends, good runners, 480V, 3PH, Model# DGFB-5756355. Price: \$1,500.00 each OBO. Call Mike Williams (606) 329-2418 or Email: [mwilliams@powerproductsky.com](mailto:mwilliams@powerproductsky.com)

**(2) CATERPILLAR SR4B Prime Power Marine Generators. Single bearing, 12 lead, 386 frame, arrgt. 4424741, housing SAE 1. Ring Power warranty. Call Ring Power, contact Lyndon Schultz (904) 494-1278 / Victor Flores (904) 494-7311.**

**★ PROPELLERS FOR SALE**

(1) LH 36 x 36 x 3 MICHIGAN HY-TORQUE propeller. Light use as a spare, \$2,600.00. (508) 748-1036

32x32x2.5, 3 BLADE PROPELLER. R/hand. Excellent. Ready to go. (732) 892-7283

BEST BRONZE PROPELLERS. Sick Of Pitted & Pink Props after one season? Ours hold the pitch longer & recondition more times than brand name props you have been buying & reconditioning every year for the few years they last. (781) 837-5424 or Email at: [twindiscgears@aol.com](mailto:twindiscgears@aol.com)

NEW AND USED Propellers For Sale. Large inventory available in BRZ, Nibral, and stainless steel. New nozzles also available. Call Texas Wheel Works, Inc. (800) 238-9402 or Fax: (409) 984-5690

NEW AND USED Propellers. Call for Availability and Pricing. Best prices and service. Various sizes, styles & metals. Used and reconditioned. Johnny's Propeller Shop. (985) 384-6940

**NEW PROPELLERS For Sale. Speed, high thrust, trawler, ship, Kaplan, and other styles. Bronze, Nibral & Stainless. 24" to 190" dia. Lowest prices guaranteed! Contact Ahoy Marine at (504) 367-5710 or**  
Visit: [www.ahoymarine.com](http://www.ahoymarine.com)

OVER 1000 USED Propellers. See Listings w/ Photos at [www.fjprop.com](http://www.fjprop.com). Largest inventory of new propellers. Frank & Jimmie's Propeller 1-(800) 228-6077

**PROPELLERS AND NOZZLES, Various Conditions and Metals 18" to 180". Best buys. Spirit Marine (337) 839-2468**  
Email: [ken@spiritmarine.org](mailto:ken@spiritmarine.org)

**★ PROPELLERS WANTED**

PROPELLERS WANTED 20" and Up, Any Condition or Metals. (337) 839-2468 or Email: [ken@spiritmarine.org](mailto:ken@spiritmarine.org)

PROPELLERS WANTED: 26" and Ip. Any Material. Please call Texas Wheel Works, Inc. (800) 238-9402 or Fax: (409) 984-5690

WE BUY PROPELLERS. Any Material or Condition. 20" and up. Johnny's Propeller Shop. (985) 384-6940

**★ PROPELLER SHAFTING FOR SALE**

ABSOLUTE BEST PRICING: Aquamet HS Shafting & Dynotorc Props. (781) 837-5424 [twindiscgears@aol.com](mailto:twindiscgears@aol.com)

BOAT SHAFTING 3/4" to 29" Diameter, various lengths and metals. (337) 839-2468

BOAT SHAFTING, Up to 6", Bar Stock or Machined as Required, will ship worldwide. Lauderdale Propeller, deep discounts. (800) 329-7767

SHAFTING, ALL SIZES, Bar Stock or Machined. Best pricing. Frank & Jimmie's Propeller 1-(800) 228-6077

**★ PUMPS FOR SALE**

16x16 BOOSTER PUMP For Sale. Maddox pump 36" Impeller, low hours, 12V92 Detroit diesel power unit, Twin Disc PTO, Falk reduction gear box, boost in great condition. Price to sell: \$75,000.00 If interested or have any question, call (954) 568-0007 or Email: [info@cavache.com](mailto:info@cavache.com)

CAVIDYNE PRESSURE WASHER, 22 HP Kohler, electric start, diesel, Udor GK series, 3,500 PSI pump. (805) 701-0538 [m.mcdole@offshoreconstructioninc.com](mailto:m.mcdole@offshoreconstructioninc.com)

16x16 CATERPILLAR BOOSTER For Sale. Pearce pump with 40" Impeller CAT D398 engine recently rebuilt, Lufkin gear with low hours on booster component. Price to sell: \$125,000.00. If interested or have any question, call (954) 568-0007 or Email: [info@cavache.com](mailto:info@cavache.com)

SPOUSE SAYS THE BOAT MUST GO? Sell it through Boats & Harbors today! (931) 484-6100 or place your ad online at [www.boats-and-harbors.com](http://www.boats-and-harbors.com)

**★ DIVING EQUIPMENT FOR SALE**

**HULL SCRUBBERS & Dive Compressors. We manufacture, you save. Armada Systems. USA. Phone (850) 912-8962, Fax (850) 912-8965**  
Email: [armadahull@aol.com](mailto:armadahull@aol.com)  
Website: [armadahull.com](http://armadahull.com)

**★ BOAT HANDLING EQUIPMENT FOR SALE**

USED MARINE TRAVELIFT Boat Hoists For Sale. Call (781) 347-1201 or go to [www.walterco.com](http://www.walterco.com) for listings.

**CONTINUED ON PAGE 30**

**50' EX-NAVY DIVE BOAT**  
Asking \$35,000



Twin 671N (Approx. 1,000 Hours)  
30 KW 3 Phase Generator

**Contact: Ryan or Doug**  
**(757) 898-5060**  
**Will Email Pictures**  
**Upon Request**

**119' x 34' Army**  
**LCU Landing Craft**



180 Ton Deck Capacity w/ 5' Draft  
Hauled 2015 New Shafts/Props  
\$795,000 w/ Partial Trade for LCM-8  
California Delta  
(415) 686-0907 • John



MARINE EXHAUST SYSTEMS  
OF ALABAMA INC.

P.O. Box 698  
757 Nichols Ave  
Fairhope, AL 36533  
1-251-928-1234 Phone & Fax  
Mesamarine@Earthlink.net  
http://www.mesamarine.com



CAT D398



PERKINS 6.354



SUPERIOR 8G825

**Water Cooled Manifolds, Heat Exchangers, and Collector Risers For Caterpillar, Cummins, Detroit, Perkins, Waukesha, Hercules, Mack, Isuzu, John Deere, Kubota, Daewoo, Isotta Fraschini, Guascor, Superior, Ford, Palmer, International, Fairbanks Morse, Lister, Wisconsin, and More. Custom Fabrication, Mufflers, Marinization, and Duplication of Obsolete Parts Available Upon Request. CALL, E-MAIL, OR WRITE TODAY**



DETROIT 12V149N



DETROIT 16V71/92N



CUSTOM RISERS



CUMMINS 6BT



**McDermott Light & Signal**

Our LED Floodlights provide durability with a low amperage draw that maintains the lifespan of your alternator. Avoid Damaging your charging system by replacing your high power consumption halogen with our green, low-energy consumption LED lights.



30 Watt



10 Watt



50 Watt



100 Watt



140 Watt

\*Most models available in Spot or Flood type



BARGE LIGHTS



TUGBOAT NAVIGATION LIGHTS



DREDGE LIGHTS



BUOYS



SOLAR ANCHOR LIGHTS



**McDermott Light & Signal**  
718.456.3606 - www.mcdermottlight.com  
fishing@mcdermottlight.com



**Hydraulic Thruster Manufacturer**



Self-propel your barges  
& sectional Floats



Featuring

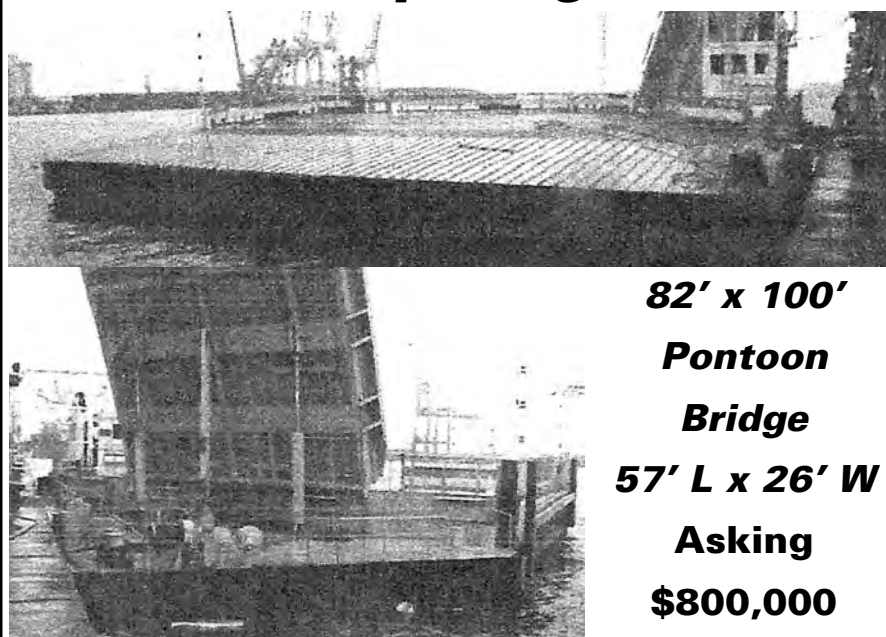
**VOLVO PENTA**

Available Now Refurbished / Used Thrusters  
See Website For Details

**1-386-734-0020**

[www.hydraulicmarinesystems.com](http://www.hydraulicmarinesystems.com)

**RO / RO Ramp Barge For Sale**



82' x 100'

Pontoon

Bridge

57' L x 26' W

Asking

\$800,000

(904) 745-1603 • Email: [cstugs@aol.com](mailto:cstugs@aol.com)

**FOR SALE**

**127 x 28 Dinner Cruise/Party Boat**



Current USCG Certified For 150 + 16 Crew. Built 1978 Palatka, Florida, Steel Hull and Aluminum Super Structure. 3 GM V 12 T1. 2 Northern Lights Gen Sets 40 KW Each.

Both decks have heat and A/C. Currently operating in NY Harbor. Well maintained. Turn Key Operation. Hull inspection good for 2 years. 5 years new inspection & yearly done.

**\$665,000.00**

Contact: Metin @ (347) 556-9424 • [amberjack@live.com](mailto:amberjack@live.com)

# Boats & Harbors

# CLASSIFIEDS

*Experience  
The Selling Power of The  
Yellow Sheet!*

Place Your Ad (931) 484-8708 or Email: [Tlewis@boats-and-harbors.com](mailto:Tlewis@boats-and-harbors.com) • Fax: (931) 456-2337 • Submit Online: [www.boats-and-harbors.com](http://www.boats-and-harbors.com)

## ★ BOAT HANDLING EQUIPMENT FOR SALE

1981 ACME MARINE Travel Lift For Sale. In great operating condition currently in use at Dana Point Shipyards. 300 cubic inch, 6 cylinder, gasoline Ford engine. Inside clear height is 26'. Inside clear width is 25.9' with a 76.5" removable center beam. Without center beam, inside clear width is 19.5'. Lifting capacity is 50GT. Asking \$50,000 OBO. Lift will be available on February 10th. For additional information, please call Steve Morris at (949) 542-3368 or call our office at (949) 661-1313 and ask for Steve.

35BFM MARINE TRAVELIFT, 1994. 70,000 lb. capacity. J.D. Diesel Engine, 19' ICH, 18' ICW. Also included is new wire rope, spare tire and wheel, and other parts totaling over \$8K. Good condition, priced to sell at \$72,000 firm. Take down and set-up service available. Available now. Call (781) 347-1201 or

Email: [sales@walterco.com](mailto:sales@walterco.com)  
See pics at: [www.walterco.com](http://www.walterco.com)

HOSTAR - HYDRAULIC TRAILERS - New and Used, road / yard. Boat stands, dollies. (800) 783-9303, (508) 295-2900, Fax (508) 295-2922

[www.hostarmarine.com](http://www.hostarmarine.com)

MARINASANDTRANSPORT.COM New & Pre-Owned. Hydraulic trailers, sling lifts, transport trailers. Buy or sell boatyard equipment. (508) 758-9409

[boattransport@comcast.net](mailto:boattransport@comcast.net)

MARINE TRAVELIFT For Sale. 1990 70 BFM with Ford 300 C.I. gas engine \$100,000. Well maintained with 18'-8" ICW. For additional details, call (251) 987-1696 or

Email: [charlesj@gulfnet.com](mailto:charlesj@gulfnet.com)

## ★ BOAT HANDLING EQUIPMENT WANTED

TRAVEL HOIST WANTED: 15 to 100 Ton Needed. Any brand. Call Mike Mazzeo. (609) 263-6900

[mikemazzeo@gantrytrading.com](mailto:mikemazzeo@gantrytrading.com)

WANTED: 100 TON TRAVEL LIFT, In Good Condition. East coast preferred. Dave Allan. (207) 841-7257

## ★ PILING FOR SALE

STEEL PIPE For Piling, Spuds, Dredging, Etc. See our display ad in this issue. (800) 238-7473.

[www.crestwoodtubulars.com](http://www.crestwoodtubulars.com)

ECONOMY GETTING YOU DOWN? Sell that unused marine item through Boats & Harbors. Call us today (931) 484-6100 or place ad online

[www.boats-and-harbors.com](http://www.boats-and-harbors.com)

## ★ AIRCRAFT TIRES FOR SALE

USED FOR FENDERS or Bumpers. All sizes of aircraft and special service tires for marine uses. Tire Traders Inc. Cell phone: (516) 526-6363. Fax: (516) 897-7426.

Email: [tiremw@aol.com](mailto:tiremw@aol.com)

## ★ ROPE FOR SALE

2,050 PHILLYSTRAN POLYESTER Marine Winch Line or general use rope, 1.82" diameter, 175,000 lb break strength. Price: \$14,000. Call Michael (334) 799-4149

## ★ CRANES FOR SALE

MANITOWOC 3900 CRANE, works great, Chicago, \$7,500. (920) 712-4794

MARINE PEDESTAL CRANES For Sale. Nautilus mod-3084, 50' boom, \$7,500.00. Coastal Hydraulics 2-section boom, 40' model CTL-18-2, electric power pack, \$12,500.00. These units are perfect hose handlers for fuel barges, etc. For photos or info call 1(514) 386-7507 or

Email: [sergeharrison2@gmail.com](mailto:sergeharrison2@gmail.com)

## ★ HOIST/WINCHES FOR SALE

AMERICAN 120-B 2-Drum Deck Winch \$10,500.00. 1(514) 386-7507

[sergeharrison2@gmail.com](mailto:sergeharrison2@gmail.com)

BURRARD IRONWORKS Towing Winches, 2 total, used, 2,500', 1 1/4" wire cap.

Email: [Russ@westerntowboat.com](mailto:Russ@westerntowboat.com)

CAPSTAN 21" DIAMETER, Anchor / Deck Winch, 440 v., new never installed government surplus. Acquisition cost to military \$441,000. For sale \$150,000 USD. Other winches available. Contact: Fred (206) 465-7981

[tridentllc@me.com](mailto:tridentllc@me.com)  
[www.tridentllc.net](http://www.tridentllc.net)

NEW 40 TON NABRICO TYPE Barge Connection Winches \$3,500.00 ea. Gerard 1(985) 702-9500

## ★ HELP WANTED

100 TON CAPTAIN NEEDED for Marine Assistance Towing and Salvage Company in Fort Lauderdale. Also hiring deckhand and marine mechanic. Please send resumes to: [careers@tbusftl.com](mailto:careers@tbusftl.com)

200T AND UP Captains with Master of Tow Wanted. San Diego and Long Beach, CA. Pacific Tugboat Service. Ask for Bob. (619) 533-7932

MATES, DECKHANDS, CAPTAINS, and Servers Needed for Dinner Cruise Boat in Ft. Lauderdale, Fla. Call (954) 448-1044

## ★ INSTRUCTION

BECOME A PROFESSIONAL Marine Surveyor, commercial and recreational courses. Navtech US surveyors nationwide home study guide. Survey forms, check lists, USCG NVCS, accreditation. USCG approved for fishing vessels. Advertise your boating business with us on the web! Toll-free: 1-(800) 245-4425.

CAPTAIN'S LICENSE PREP GUIDE For 6 Passenger and 100 Ton Master's Licenses. 2017 Edition. Actual exam questions, answers, Flashcards, Rules of the Road, Chart Lessons. Guaranteed! Still \$37.50. Best nationwide prices on Rules CD, DVDs. Other DVDs and CDs available. Renewal test assistance. National Captain's Institute, Box 11834-H, St. Petersburg, FL 33733. Order online at

[www.Captains.com](http://www.Captains.com)  
or Toll Free at 1-(800) 345-6901.  
Immediate Shipment!

## ★ MISCELLANEOUS FOR SALE

2 VERINALIFT DUAL Stage Mufflers. 12 inch exhaust, new, never used. \$1,200.00 each. (757) 287-4153

USED GM ENGINES For Sale. Used 671's, 8V71's, V12's, V16's, and used pumps & generators. Large or small starting @ \$2,000. For pictures and specs & more marine misc. equipment, call (956) 943-2648 or visit our

website: [www.marineservice.us](http://www.marineservice.us)

VIBRATION SOUND DAMPENING TILES 12"x12"x1/8", perfect for hulls 1/4" thick or less. Reduces vibration and noise from rotating equipment. (1) pallet, 2,400 tiles available, \$1 each. (360) 459-1395

ZINC ANODES Sea Shield ZHC-42 bolt on. \$95.00 each, free US shipping. Have approx 50 left. (508) 400-7813

[luther.bumps@gmail.com](mailto:luther.bumps@gmail.com)

## ★ MISCELLANEOUS WANTED

BELL BOAT PILOT HOUSE Bell Pulls, gong & jingler, matched pairs, P/S & related hardware also voice tube mouth pieces w/ whistles. (610) 940-2668

YOU MAY HAVE THE MARINE item someone is looking for! List it in Boats & Harbors today! Call (931) 484-6100 or place your ad online at

[www.boats-and-harbors.com](http://www.boats-and-harbors.com)

## ★ BUSINESSES FOR SALE

MARINE CONTRACTOR / Dock Builder in booming SC coastal market. Highly successful 27+ year operation. Extensive equipment, including 3 barges and cranes. Current client contracts in hand. 3 months waiting list for new projects and growing! Owner ready to retire but will negotiate transition contract. No Brokers! For more information, Email: [info@marinedockcontractor.com](mailto:info@marinedockcontractor.com)

SANDY HOOK, NJ - Successful established seasonal sailing excursion charter and sailing school for sale w/ vessels. Established 2003. Includes 22' Seaward monohull and custom Maine Cat 30. Brand new, hurricane hardened, upscale marina. Contact Captain Tracey (732) 546-4103.

TOWBOAT BUSINESS For Sale. Owner of very successful South Florida towing & salvage company wants to retire. Selling entire company; vessels, oil spill equipment, and boat trailers for sale. Protected area. No brokers need to call. Call (772) 465-0709.

TIME IS MONEY! When you need an item or wish to sell something advertise with us.

## ★ BUSINESS OPPORTUNITIES

ORIENTAL, NC Harbor (1) Acre Unrestricted Commercial Boatyard, marine business property, nice house, rental cottage, dockage, steel dredge barge w/ pile driver on deep channel, 500 boats in water in walking distance. We have No "Sea Tow" or Rack & Stack. \$550,000. Travelift and one additional acre w/ house available. Capt. Ron Diamond (518) 294-6181

## ★ MARINAS FOR SALE

HUDSON RIVER BOATYARD MARINA: 350' frontage, docks, new seawall, fuel, service shop, 20 ton lift, hydraulic trailer, forklifts, crane, now operating. Catskill, NY. \$850K. (518) 821-1546

MARINA & CAMPGROUND For Sale. 20 acre Marina Campground in Maryland. Full to capacity, campground, 80 percent Marina. Call (301) 370-9874.

OPPORTUNITY KNOCKS: Advertising your vessels or equipment in Boats and Harbors will put your business ahead of the game! With Both Print and Online Editions Boats and Harbors can place your classified ad in front of thousands of loyal buyers. Call Now 931-484-6100 or

Email: [tlewis@boats-and-harbors.com](mailto:tlewis@boats-and-harbors.com)

# RATES, ETC.

## DISPLAY ADVERTISING

(3 ISSUES)

RATES:

Based on the column inch which is 1" deep and 2 1/4" (14 picas) wide

SIZE	RATE	SIZE	RATE	SIZE	RATE	SIZE	RATE
1"	\$73.00	12"	\$552.00	27"	\$1161.00	48"	\$1728.00
2"	\$118.00	13"	\$585.00	28"	\$1204.00	52"	\$1820.00
3"	\$174.00	14"	\$630.00	30"	\$1260.00	56"	\$1960.00
4"	\$232.00	15"	\$675.00	32"	\$1344.00	60"	\$2040.00
5"	\$290.00	16"	\$688.00	33"	\$1353.00		
6"	\$348.00	18"	\$774.00	36"	\$1404.00		
7"	\$406.00	20"	\$960.00	39"	\$1521.00		
8"	\$432.00	21"	\$903.00	40"	\$1560.00	Double Page	\$4224.00
9"	\$450.00	22"	\$946.00	42"	\$1596.00	Center Spread	\$4608.00
10"	\$480.00	24"	\$1032.00	44"	\$1628.00	Cover Page	\$2144.00
11"	\$506.00	26"	\$1118.00	45"	\$1665.00		

Full Page \$2,176.00    1/2 Page \$1,344.00  
1/3 Page \$903.00    1/4 Page \$688.00

ADDRESSES - (MAILING) Boats & Harbors, P.O. Drawer 647, Crossville, TN 38557  
Physical Delivery Address: Boats & Harbors, 175 4th St. Crossville, TN 38555-4302  
Phone: (931) 484-6100 • (931) 484-8708 • Fax: (931) 456-2337  
Email: [gdonnelly@boats-and-harbors.com](mailto:gdonnelly@boats-and-harbors.com) • [www.boats-and-harbors.com](http://www.boats-and-harbors.com)

## MECHANICAL REQUIREMENTS FOR DISPLAY ADVERTISING

1. Printing process: Web offset.
2. Binding method: Saddle stitched.
3. Trim size 10-1/4" wide by 17" deep
4. 4 column page format.
5. Width of single column: 2-1/4" (14 picas)  
Width of two columns: 4-3/4" (28-1/2 picas)  
Width of three columns: 7-1/4" (43 picas)  
Width of four columns: 9-3/4" (58-1/2 picas)
6. Depth of column: 16-1/4"
7. Minimum size space unit; one column in. (2-1/4"W x 1"D)
8. All display ads must be full inches (no fractions).
9. Ad must be as many inches in depth as it is columns wide.
10. Publisher accepts: Negatives (right reading emulsion side down); repro proofs; camera-ready art; copy to be set in type. For best results, we recommend the submissions of quality white proofs rather than negatives. (Mail repro proofs flat or in mailing tube).
11. Black and white halftones: 80 to 100 line screen.
12. For best quality, submit clear sharp photos.
13. Page number or position on page not guaranteed.
14. Contract advertisers are entitled to one complete change of copy every three issues. When change of copy is not received by closing date, copy run in previous issue will be inserted.
15. The publisher assumes no liability if for any reason it becomes necessary to omit any advertisement.
16. No cancellations or changes in orders will be accepted after closing dates.

## SUBSCRIPTION ORDER FORM

- \* Standard Mail - (One Year - 36 Issues - 3 Per Month).....\$39.95  
 \* Standard Mail - (Two Years - 24 Issues - 1 per month).....\$35.90  
 \* Standard Mail - (One Year - 12 Issues - 1 per month).....\$17.95

### \*USA & POSSESSIONS ONLY

- \* First Class Mail - (One Year - 36 Issues - 3 Per Month).....\$81.95  
 \* First Class Mail - (Six Months - 18 Issues - 3 Per Month).....\$41.95  
 \* First Class Mail - (One Year - 12 Issues - 1 Per Month).....\$31.95

Remittance Enclosed \$ \_\_\_\_\_

Foreign (Send For Rates)

PH: (931) 484-6100

FAX: (931) 456-2337

Email: [gdonnelly@boats-and-harbors.com](mailto:gdonnelly@boats-and-harbors.com) • [www.boats-and-harbors.com](http://www.boats-and-harbors.com)

**BOATS & HARBORS**

P.O. Drawer 647  
Crossville, TN 38557

**53' Ex-Hatteras**



Commercial Fishing Hull, Twin 6-92.  
TTI Nets Available.

**\$50,000 • (727) 373-8022**

**46' Markley 1990**



Solid glass. COI 2016 inspected 30 passengers, single 450 Cummins. 8,200 hours, Twin Disc 5065 gear with hydraulic steering. 12.5KW Navnet radar w/GPS, sonar.

**\$140,000 • Call (410) 610-6283**

**100 Ton Flexifloat Jackup Barge**



This 2012 year Flexifloat Jack-Up Barge is Available For Lease or Sale  
Being of modular construction (12 flexifloat sections & 4 rakes) this ABS loadline barge is fully truck transportable and easily assembled at the work site using Flexifloats' patented pin system. Will handle up to 100-ton capacity crane. Located at 5615 W. Marginal Way SW, Seattle, WA 98106

**80' x 50' x 7' - Crane Capacity: 100 Ton • Sale Price : \$1,200,000.00**

Contact: Norton Lazarus - OEM Capital - Telephone (212) 983-9500  
nwl@oemcapitalcorp.com



**75' PASSENGER BOAT**

3 - 60 Series MTV Engines / Hamilton Water Jets  
Available for sale \$485,000 or possible lease to qualified operator.

Stability letter 149 / COI 75 passengers

Built 2003, 2 - 22 kw Generators, Double Electronics in Wheel House  
Inflatable IBA Raft, Cruise 20 Knots, Top Speed 26 Knots

Call Joe: 508-776-8435 or 508-776-6578

Email: joseph@meganet.net

**www.YachtSalvage.com**



**52' Shannon 2017**  
(Brokerage)  
YS170149



**47' Fountain 1997**  
(Private Liquidation)  
YS170101



**41' Beneteau 1999**  
(Donation)  
YS170286



**23' Trophy 2007**  
(Brokerage)  
YS170344



**40' Formula 2008**  
(Private Liquidation)  
YS170162



**45' Carver 2000**  
(Donation)  
YS170211

**ISLAND WIDE MARINE INSURANCE**

**Superior Service Since 1977**

**CUSTOMIZED POLICIES**

**Designed Specifically For:**

**Passenger Vessels**

**Sightseeing - Dinner Cruise**

**Headboats - 6 Packs - Ferry**

**Dolphin - Whale Watch**

**FEATURING:**

★ **Basic & Enhanced Policies**

★ **Competitive Pricing**

★ **Easy Payment Terms**

★ **Discounts For Seasonal Operations**



**Marine Insurance is Our ONLY Business**

**1-800-635-6097**



**2001 Zodiac LRI**  
Great Shape - 2 Ea. Available



**2001 Sea Ark**  
Yanmar Diesel, Excellent Cond. • \$89,000 OBO



**2005 36 Sea Ark Patrol Fire Boat**  
Excellent Condition • Reduced Price



**25' SafeBoat Defender**  
Great Shape, NO POWER  
Reduced Price • 11 Available



**1997 23' Sea Ark Little Giant**  
Diesel Powered, Fresh Paint, Just Serviced  
Call For Pricing



**2001 21' Sea Ark**  
Twin Four Stroke Outboards  
2 Ea. to Choose From • Call For Pricing



**41 UTB 41446 "Detroit"**  
Freshwater Boat, Nicest Original 41 Around.  
Price Reduced on all 41's, 6 Ea. to Choose From



**50' UTB Utility Boat**  
3 Ea. to Choose From • Price Reduced

**ALL VESSELS ARE IN STOCK AND AVAILABLE FOR IMMEDIATE PURCHASE**

**For More Information On All These Boats Please Call:**

**Mike (850) 221-5138 Or**

**Visit Our Website: [www.kclmsales.com](http://www.kclmsales.com)**

**Hundreds Of Boats For Sale**

For More Information Please Call One Of Our Offices  
Warwick, RI (401) 732-6300 • Charleston, SC (843) 789-0357  
Mendon, MA (508) 478-0200 • St. George, SC (843) 563-9199

# BOATS FOR SALE

## Leah Michelle



57' x 18' x 6 1/2'  
350 HP  
4 1/2 to 1 Gear  
20 KW Generator  
Recently Dry Docked

57' x 18' x 6 1/2'  
871 GM 5 to 1 Gear  
271 GM Generator  
Perfect For:  
Live Aboard or  
Skimmer Boat  
Recently Drydocked  
All New  
Cabin Interior

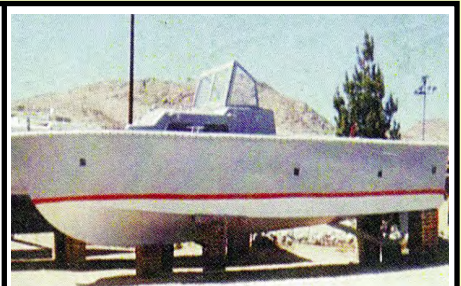


## Risky Business

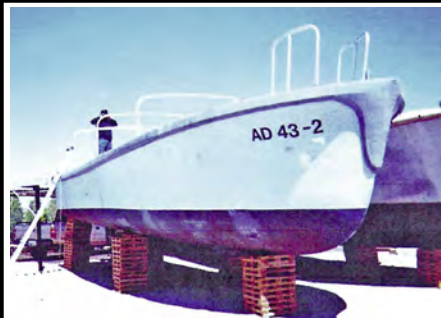
**\$160,000 EA. • (985) 860-2007**



**Charter Boat**, 48' x 17' Beam. Fiberglass, Detroit 8V92N of 300 HP. Zero Hours, Communication Equip., 12 Mile Hydraulic Reel Has Been Mounted.....**\$77,000**



**37' x 13' Patrol Vessel**, Fiberglass, 500 HP 8V71T1 w/ Exchanger and Twin Disc MG-514 2:1, 50 Hrs.....**\$29,900 Ea.**  
With Tow Bitt.....**\$31,900**



**33' x 11' "Willard"** Fiberglass Navy Reserve Utility Boat, Wt. 11,000 Lbs., 140 HP Diesel. Like New.....**\$26,500 Ea.**

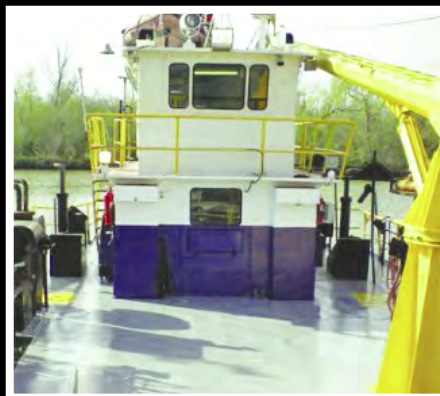


**50' x 15'**, Mfg. by "Willard" Latest for Cargo or Personnel., 250 HP Detroit Diesel Engine with Twin Disc Gear. 40 Hours. Used.....**\$36,500**

**BOATS & HARBORS**  
"THE" MARKET PLACE  
FOR THE MARINE INDUSTRY

## LIFT BOATS FOR SALE NINE (9)

**Two - 50'      Two - 70'      Two - 90'**  
**One - 65'      One - 75'      One - 105'**



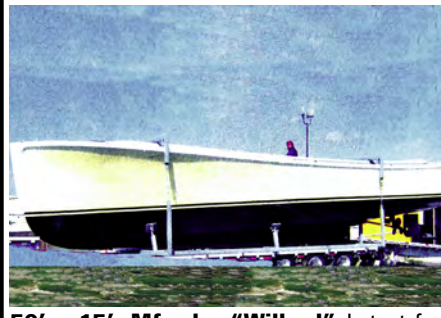
**Call Tommy @ (985) 856-2514**



**Ten Like New 37' x 13'** Rescue Patrol Fiberglass Cruisers, Detroit Dsl. Speed 23 MPH. 500 HP. Walkaround Deck. Very low Hrs.....**\$19,000 Ea.**



**38' x 13' Rescue Patrol Tugs**, Fiberglass, 500 HP. Walkaround Self Bailing Deck, Water Tight Bulk Heads, 64 Hrs.....**\$38,900 Ea.**



**50' x 15'**, Mfg. by "Willard" Latest for Cargo or Personnel. 250 HP Detroit Diesel Engine w/ Twin Disc Gear. 40 Hrs...**\$36,500**



**40' x 12' "Willard" Fiberglass Navy Reserve Utility Boat.** 17,000 Lbs., 250 HP Dsl. 74 Hrs. Like New.....**\$33,500 Ea.**

## GENERAL PROPULSION, LLC

General Propulsion, Inc & General Propulsion, LLC Have Been In The Diesel Engine Business For 52 Years  
Phone: 956-445-3415      E-mail: [nortondieselsandships@gmail.com](mailto:nortondieselsandships@gmail.com)

# ACCOMMODATION BARGE

**Cash Price:**  
**\$7.95MM (Reduced from \$15MM)**



**POOL**



**MOVIE THEATER**



**70' MARINA**

**MOTIVATED SELLER**

**MUST SELL!**



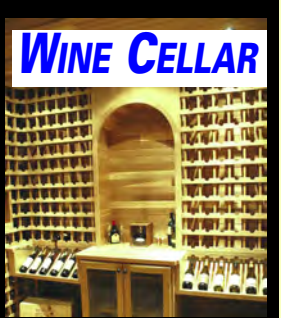
**STAIR WELL**



**11,000LB HELIDECK**



**FULL RESTAURANT**



**WINE CELLAR**

**370' Long x 85' Wide x 55' Tall**

**Features: 38 Rooms, Up To 300 People • Pool • Movie Theater • Bar • Full Restaurant • Aquarium • 11,000 lb Helideck Boat Crane For Lifting 32' Boats • 70' Marina • 2 Water Makers • 4 CAT Generators • 14,000 sq ft Unused Space Ready For Casino Or More Accommodation Rooms • Perfect For Oil Rig Support, Fishing / Gaming Lodge, Private Island, Floating Hotel.**

**Ready For Immediate Delivery! • Contact Us At: 727-441-3474**

## PILOT HOUSES



- Custom Built
- No Minimum Qty
- Carbon
- Stainless
- Aluminum

Est. 1992  
**Lake Superior Cabs, Inc.**  
 800-328-1823  
[www.lakesuperiorcabs.com](http://www.lakesuperiorcabs.com)

## CENTURY ROPE CO. SINCE 1976

**TWISTED NYLON ROPE**  
 MED. LAY - PREMIUM GRADE WHITE  
 100% USA - 600' REELS

1/2" @ \$158.00	1" @ \$651.00
5/8" @ \$269.00	1-1/4" @ \$899.00
3/4" @ \$389.00	1-1/2" @ \$1,315.00
7/8" @ \$589.00	2" @ \$1,989.00

**MONTHLY SPECIALS: AUGUST/SEPTEMBER 2017**  
 1-1/4" x 90ft. Stud Link Chain, A.B.S. GR-2 @ \$1,185/Ea. PC  
 50 Ton Deck D-Ring w/Strap @ \$19.00/Set

**8920 S.W. 129th St., Miami, FL 33176-5810**  
**Tel: 305-238-1640 • Fax: 305-232-4372**  
 Email: mmmainc2012@gmail.com • MC/Visa No Checks

## The River Rose is For Sale



Built in 1984. Up & running business on the Hudson River. Come see us in action, season ends Oct. 31st. 97' x 26', 4' draft, an authentic stern wheeler. Capacity 175, 2 bars, 1 is bar lounge. Very profitable operation.

**Contact: John Panzella**  
**(845) 562-1067**  
[riverrosecruises@gmail.com](mailto:riverrosecruises@gmail.com)  
[riverrosecruises.com](http://riverrosecruises.com)

**SAMS**  
 Society of Accredited Marine Surveyors®  
 An International Organization of Professional Marine Surveyors  
**Use SAMS® Surveyors in your area**  
[www.marinesurveyor.org](http://www.marinesurveyor.org)  
 1-800-344-9077

## CARIBBEAN & VIRGIN ISLANDS

Vessels & Equipment to Transport Goods, Fuel & Water Cargo, Passenger Vessels, Barges, Generators, Cranes

[www.vesselfinders.com](http://www.vesselfinders.com)

[larry@vesselfinders.com](mailto:larry@vesselfinders.com) - **Hablamos Español**

Larry Abel: (386) 937-2615 / (828) 516-2227

**Brand New Vertical Deck Mounted Capstans**  
 2 Units Available



Complete with reversing starter and foot control. 18" diameter head for maximum 2 3/4" diameter rope. 20,000 lbs initial line pull and 10,000 lbs running pull. Electric release break and fully lubricated sealed bearings. Removable motor guard. More information and drawing on request. Available for immediate shipment.



**P.O. Box 596 • 910 Mahar Avenue**  
**Wilmington, CA 90748**  
**Phone (310) 522-9698 • Fax (310) 522-1043**  
**E-mail: [sales@watermansupply.com](mailto:sales@watermansupply.com)**  
**Website: [www.watermansupply.com](http://www.watermansupply.com)**



## For Sale SunCruz VII Casino Vessel

Name Reserved: Yes, Ex-Name Diamond Royale, Andrew Fletcher. Manufacture: Offshore Shipbuilding, Inc. Model Year: 1985, MFG. Year: 1985, Boat Type: Casino Vessel, Boat Is: Used, Length Overall: 184', Beam: 40', Weight (Displ): Gross tons ITC: 1,314 REG: 99/NT, ITC: 413 REG: 67, Hull Material: Welded steel, Hull Configuration: Traverse, Speed (knots) Cruise@ RPM 10 Speed (knots) Max@RPM 10 Fuel Tank (Gal / Mtr) 7,500 total gal. Certification & Class: K Class, Boat just had \$327,000 worth of work done by the Detyens Shipyard. At time of work the boat was seized by the U.S. Marshal's Office for taxes. The boat is sail-able per U.S. Coast Guard. The keel & hull below water line have been repaired. The decks & pilot house need some blasting & painting. The boat has around 175-180 Slot machines, 20 Black Jack tables, 4 Roulette wheels, 2 Craps tables & 2 Texas holdem tables. There are three bars on board. The ship has set for the last eight months so it needs to be cleaned out. The main propulsion is (2) 3812 CAT motors which are working, Generators are 3408 CAT motors (3). This vessel has very good Reef Possibilities.

**Can be viewed any time with appointment in the Port of Charleston, SC, USA**  
**Price: \$295,000.00**  
**For More Information Call: Mike Bruce**  
**(864) 270-4945**

## SCRATCH & DENT SALE

High Tensile Galvaluma Steel

100% U.S. Made No Drilling Required

**Military Spec. Quonsets SAVE \$\$\$\$**

20 x 30	40 x 60	55 x 120
25 x 40	45 x 72	60 x 150
30 x 50	51 x 96	70 x 200

**Archway Steel Buildings**  
**1-800-344-2724**  
**Fax (412) 771-4191**

## KOHLER Commercial Marine Generators

Open - Frame and Keel Cooled Units

MODEL	COST
9EKOZD	\$8,250.00
11EKOZD	\$8,785.00
13EKOZD	\$9,990.00
15EKOZD	\$11,100.00
20EKOD	\$12,800.00
23EKOD	\$13,725.00

**24 Hour Emergency Service!!**  
**Monmouth Marine Engines, Inc.**  
 536 Union Lane • Brielle, NJ 08730  
**Phone: (732) 988-0245 • Fax: (732) 988-0246**

## 25' CREW BOAT



Rebuilt 6V53, Totally Redone Push Knees.  
**\$20,000.00**  
**(206) 465-7981 • (985) 258-3266**  
**Email: [tridentllc@me.com](mailto:tridentllc@me.com)**  
[www.tridentllc.net](http://www.tridentllc.net)

# ATLANTIC YACHT & SHIP INC.

## SHIPS FOR SALE



**33.5M High-Speed Cutter Patrol**  
 2012 CAT engines / 22 knot cruise



**65M Landing Craft Cargo 2007 RINA**  
 809t Capacity - 15 days at 8 knots

Atlantic Yacht & Ship has a variety of commercial ships to choose from. This ad depicts a small selection of vessels available. Contact us for any commercial vessel including patrol vessels, double ended ferries, fast ferries, and landing crafts, tankers, ANYTHING. We have ships available in every age from old to brand new, and a broad range of prices to suite your requirements.



**Doug Hoogs**  
 +1-954-643-6386  
[doug@ayssales.com](mailto:doug@ayssales.com)



**Brent de Sellier**  
 +1-954-662-6241  
[brent@ayssales.com](mailto:brent@ayssales.com)



## METAL SHARK METALSHARKBOATS.COM



36' Courageous



38' Defiant



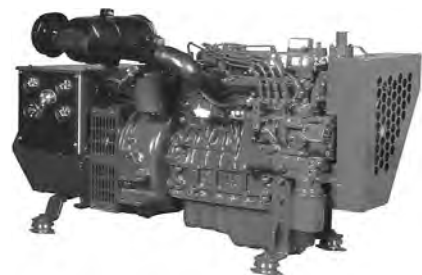
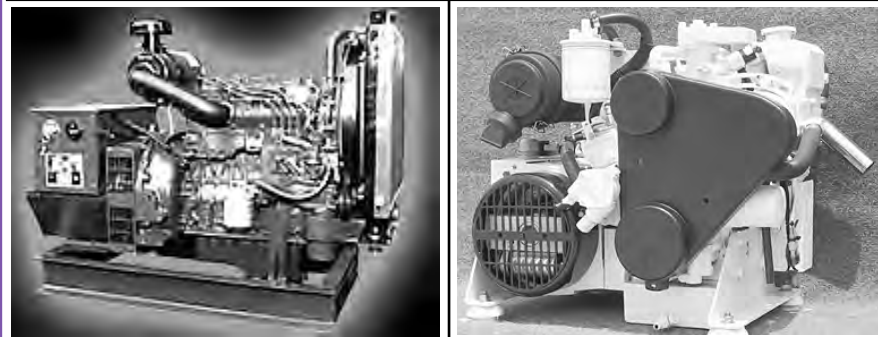
75' Endurance

337.364.0777 • [sales@metalsarkboats.com](mailto:sales@metalsarkboats.com)





# DIESEL GENERATORS



## Kubota

### 1800 RPM Generators

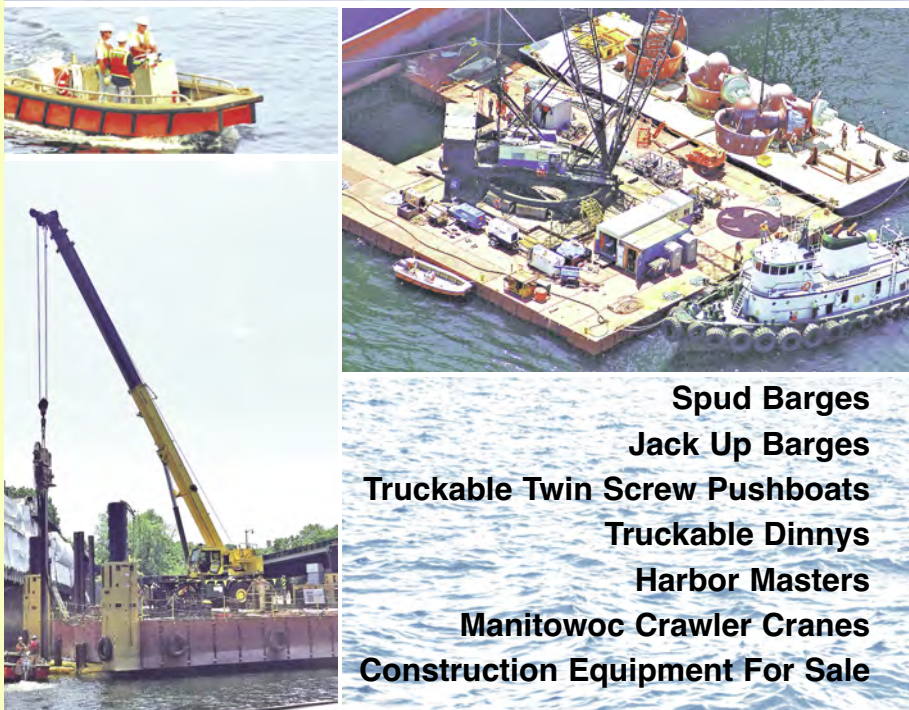
	Heat Exchange Cooled		Keel Cooled	Radiator Cooled Remote Radiator Only	
1cyl	3.5kw	\$ 5,775.00	\$ n/a	\$ 4,525.00	Prices include ISO mounts, switch start with hour meter, other accessories and options available.
2cyl	5.5kw	6,975.00	5,400.00	5,575.00	
3cyl	7.0kw	8,642.00	6,050.00	6,465.00	
3cyl	8.5kw	8,998.00	6,250.00	6,575.00	
3cyl	9.5kw	9,986.00	6,475.00	6,935.00	
4cyl	12.5kw	11,829.00	7,200.00	7,600.00	
4cyl	15kw	12,458.00	8,200.00	8,525.00	
4cyl	17.5kw	13,572.00	8,600.00	9,125.00	
4cyl	21kw	14,685.00	9,450.00	9,675.00	
4cyl	25kw	n/a	10,100.00	10,450.00	
4cyl	30kw	20,160.00	10,500.00	11,120.00	
4cyl	40kw	n/a	14,475.00	12,500.00	
4cyl	50kw	n/a	15,600.00	13,950.00	

1732 St. Johns Bluff Road, Jacksonville, FL 32246  
www.nextgenerationpower.com

904-642-8555

# Marine Equipment Rentals

## S-70 Flexi Floats & Accessories



Spud Barges  
Jack Up Barges  
Truckable Twin Screw Pushboats  
Truckable Dinnys  
Harbor Masters  
Manitowoc Crawler Cranes  
Construction Equipment For Sale



Chris Jarvais  
207 679 2359  
cjarvais@cianbro.com

**CIANBRO**

### CLOSING DATES • SECOND OCTOBER ISSUE 2017

• To Be Mailed October 9th •

FOR DISPLAY October 4th  
(9:00 A.M. C.S.T)

FOR CLASSIFIED October 6th  
(10:00 A.M. C.S.T)

## "MARINE INDUSTRY SALES AND CHARTERS"

### DAMCO MARINE MANAGEMENT, INC.

MORGAN CITY • NEW ORLEANS

PHONE (985) 384-2614 • FAX (985) 384-3741

BRITT CELL: (985) 714-0974 • DON CELL: (985) 397-1941

#### BOATS

Crew Boats • Lugger Boats  
Tug Boats • Push Boats  
Supply Boats  
Utility Boats • Lift Boats

#### BARGES

Deck Barges • Hopper Barges  
Living Quarters Barges  
Spud Barges • Tank Barges  
Crane Barges

#### CRANES

American Cranes  
Lima Cranes • Terex Cranes  
Manitowoc Cranes  
Linkbelt Cranes

#### NEW CONST.

#### DRYDOCKS

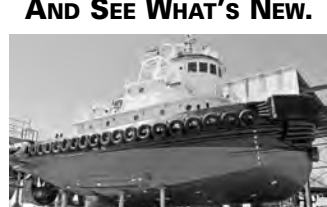
#### MISC. EQUIP.

WE ARE LOOKING FOR NEW LISTINGS IF ANYONE IS LOOKING TO SELL.  
PLEASE CONTACT US ON INFO ABOUT HOW TO LIST WITH US.



OUR INVENTORY IS GROWING DAILY,  
PRICES ARE STARTING TO DROP, AND IT'S  
A BUYERS' MARKET.

COME VISIT OUR WEBSITE  
AND SEE WHAT'S NEW.



DAMCO MARINE MANAGEMENT, INC., with over 30 years in the marine brokerage & consulting business, offers quality marine equip., including new & used Boats, Barges, Cranes, & Dry Docks, & many other miscellaneous equip. available under U.S. or foreign flags. We have financing options available, we will arrange for NAMS Surveys and Valuations, we can help you ship, transport domestically or internationally, help with reflagging, redocumenting, transferring ownership, we also have charter and bareboat options. We will facilitate the purchase/sale transaction from start to finish.

••• IF IT FLOATS WE CAN HELP YOU BUY OR SELL IT •••

• Call For Details And Additional Pictures •

E-mail: britt@damcomarine.com • don@damcomarine.com • www.DAMCOMARINE.com



WORLD LEADER IN ALUMINUM LANDING CRAFT



MUNSON & YAMAHA

A Winning Combination



WWW.MUNSONBOATS.COM

(360)707-2752 | jesse@munsonboats.com | 15806 Preston Place, Burlington, WA 98233

# VESSELS FOR SALE



## 2002 OSV

Certified: I & L, USCG Inspection: Yes, ABS Loadline: Yes  
 DP System: DP-1, Length: 185', Beam: 46'  
 Clear Deck: 120' x 39'  
 Deck Cargo: 850 Long Tons, Main Engines: Caterpillar  
 Bow Thruster: (1) Schottel  
 Fuel Capacity: 58,540 / 119,440 Gals  
 Liquid Mud: 60,900 Gals, Dry Bulk Capacity: 3,300 Cu. Ft.  
 Potable Water: 15,000 Gals, Fire Monitor: 4" Elkhart  
 Anchor: (2) 1,500 Lbs, Certified To Carry: 40  
 Berth: 17, Two (2) 99 Kw: Cat 3304  
 Radars: (2) Furuno, Radios: (3) VHF (1) SSB / ICOM  
 Fathometer: (Yes) Furuno, GPS: (2) Interfaced CP Plotter  
 Beier: Model IVCS4000 DP-1  
 Complete C.G. & ABS dry docking May 2017

## 2007 MINI SUPPLY

USCG Inspected: Yes, ABS Loadline: Yes, ABS: ADP11...DP1  
 Length: 150', Beam: 36', Depth: 12', Clear Deck: 90' x 30'  
 Deck Cargo: 335 Long Tons, Main Engines: Caterpillar  
 Speed: 12 Knots, Bow Thruster: 300 HP  
 Fuel Capacity: 43,000 / 95,920 Gals, Liquid Mud: 1,260 BBLS  
 Potable Water: 10,000 Gals, Fire Monitor: 4" Elkhart,  
 Certified To Carry: 20, Berth: 20, Two (2) 150 KW: Cat C-9  
 Radars: (2) Furuno, Radios: (3) VHF (1) SSB / ICOM  
 Fathometer: Yes, GPS: (2)  
 Navtec: Yes, Plotter: Yes



**Please Call (337) 319-8123**  
**If Interested Or Need More Information**

**POWER  
FORWARD**

Produced by **diversified** Presented by **WORKBOAT**

## SAVE \$50!

Register before the show using promo code: **BOATS** and receive **FREE\*** admission to the exhibit hall and keynotes, plus discounts on the conference program.

[workboatshow.com](http://workboatshow.com)

\*Non-Exhibiting Suppliers Fee - \$75 Pre-show and Onsite.

The International WorkBoat Show is a trade-only conference and expo for commercial vessel owners, operators, and builders as well as the vendors and suppliers that serve them. It's your annual chance to network, shop, connect and learn among the best in the business. Don't miss out on this maritime industry tradition.

INTERNATIONAL  
**WORKBOAT**  
 SHOW

NOV. 29 - DEC. 1, 2017  
 NEW ORLEANS

Morial Convention Center  
 Halls B, C, D, E & F

To exhibit contact: Chris Dimmerling, [cdimmerling@divcom.com](mailto:cdimmerling@divcom.com)

# HYDRO-SLAVE

★ SAME DAY SERVICE ★

## QUALITY MARINE HYDRAULIC EQUIPMENT

### STANDARD BOOM WINCH



#### SPECIFICATIONS

PULL - EMPTY SPOOL - 24 CID MOTOR  
 12 GPM @ 1500 PSI - 3580 LBS  
 12 GPM @ 2000 PSI - 4730 LBS  
 PULL - FULL SPOOL - 24 CID MOTOR  
 12 GPM @ 1500 PSI - 1375 LBS  
 12 GPM @ 2000 PSI - 1813 LBS

### BRAKE BOOM WINCH

#### WIRE CAPACITY

5/16" WIRE - 321 FEET • 3/8" WIRE - 223 FEET  
 1/2" WIRE - 125 FEET



Available in Both Powder Coated Steel and Stainless Steel

BUY THE BEST - BUY THE ORIGINAL BUY HYDRO-SLAVE

### HYDRAULIC PUMP WITH ELECTRIC CLUTCH

## 2 Bolt B Auxiliary Drive Assembly

### 2 BOLT B 13 TOOTH MOUNTING FLANGE

- Precision Machined Aluminum 2 Bolt B Mounting Flange
- Precision Machined Steel Pump-Clutch Mounting Bracket
- 250 Ft. Lb. 2 Bolt B 13 Tooth Clutch
- 25VQC High Performance Vane Pump 2 Bolt B 13 Tooth Spline 21 GPM @ 3000 PSI, 1200 RPM
- Dimensions: 13" Long, 8-1/2" Wide



THIS ASSEMBLY IS SUITABLE FOR INSTALLATION ON ANY 2 BOLT B 13 TOOTH DRIVE ADAPTER SUCH AS A TWIN DISC OR ZF TRANSMISSION

### WORLD'S LARGEST POT HAULER MFG. FOR OVER 40 YEARS

For more information call: 1-800-747-7550 or visit us on the internet: [www.marine-hydraulic-engineering.com](http://www.marine-hydraulic-engineering.com)

## MARINE HYDRAULIC ENGINEERING CO., INC.

17 Gordon Drive Rockland Maine 04841 Fax: 207-594-9721  
 Email: [marinhyd@midcoast.com](mailto:marinhyd@midcoast.com)

## YOUR BUSINESS ANCHOR

Buying or Selling a Passenger Vessel or Business?



Fort Warren 150 Passenger Charter Yacht



Mark Twain 149 Passenger Sternwheel



Kingston Express 147 Passenger Ferry



Catfish Bend 1,389 Passenger Paddlewheeler

## PINNACLE MARINE CORPORATION

We are the only brokerage service specializing in the passenger vessel industry. We also provide assistance locating financing, vessel transportation, securing insurance, marketing and business consulting, and auction services.

608-788-3210 • email: [info@pinnaclemarine.com](mailto:info@pinnaclemarine.com) • [www.pinnaclemarine.com](http://www.pinnaclemarine.com)

### GOOD STEEL BOATS



Made For Work  
 Self-Bailing Assist  
 Utility & Bridge Construction Boats  
[www.AMERICANWORKBOAT.com](http://www.AMERICANWORKBOAT.com)  
 (508) 264-6863

### BUY SELL RENT

#### CLAMSHELL BUCKETS HOISTS & WINCHES PILE DRIVING EQUIPMENT



GREG DUNN  
 (724) 228-5560  
 FAX (724) 228-8776  
[www.needist.com](http://www.needist.com)

400 Country Club Road  
 P.O. Box 358  
 Meadow Lands, PA 15347-0358



TAPPAN ZEE  
 CONSTRUCTORS, LLC  
 Marine and Construction  
 Equipment for Sale  
 Tarrytown, NY

[www.tappanzeesales.com](http://www.tappanzeesales.com)

### CREWBOATS FOR SALE

- 23' Lobell 2380 (1996) \$40,000
- 26' MonArk (1978) \$35,000
- 36' 3612-V Dauntless (2005) \$140,000
- 36' 3612-V Dauntless (2005) \$160,000

VISIT WEBSITE FOR DETAILS

## Looking for Marine parts?

Save time and money!

We will find marine parts from around the world including engines, generators, & oil platform cranes.

OVER 25 YEARS  
 EXPERIENCE



MyMarineTracker.com  
 Marine Purchasing Services

1-866-717-2053  
 or 608-783-2766



## CALL FOR PRICING

Johnson Stevens  
 (843) 889-2254 Office  
[j.stevens@stevens-towing.com](mailto:j.stevens@stevens-towing.com)

For over 100 years, Stevens Towing has conducted business in marine towing, barge charter, and marine repair. Located 25 miles south of Charleston, SC, (mile marker 490 ICW) the shipyard is equipped with 2 Marine Railways, a 150-ton Marine Travel Lift, as well as 500' of dock space for topside marine repairs.

### Equipment For Charter

#### Deck Barges

- (3) 120 x 30 x 7
- (2) 120 x 33 x 10
- (1) 150 x 55 x 8
- (1) 162 x 52 x 10
- (1) 175 x 39 x 9
- (1) 260 x 50 x 10.5
- (1) 250 x 54 x 13 ABS

### US FLAG JONES ACT SHIP "M/V Coastal Venture" For Charter

Length Overall: 247' • Draft: 11'  
 Speed At Sea Loaded: 12 KTS • GT: 497  
 Capacities: Hold 1 Cubic Capacity 8,640 FT<sup>3</sup>, Hold 2 Cubic Capacity 30,800 FT<sup>3</sup>, Hold 3 Cubic Capacity 45,760 FT<sup>3</sup>.  
 Capable of carrying a wide variety of cargo from Break Bulk to Containers as well as Hazardous Goods Class 1-9



### Equipment For Sale

#### Hopper Barge

- (1) 260 x 52.5 x 12

#### Crane Barge

- (1) 199 x 52 x 14 w/ 28 ton Crane at 90' Intercon Hydraulic Crane w/Cat Engines



### Cranes

We have two 500 ton barge mounted cranes that are strategically placed in Savannah, GA and Charleston, SC. These cranes have the ability to move via the Intercoastal Waterway or Offshore to any job. We also have a barge mtd Clyde 32 which is a rotating 140 ton crane at 45ft.

#### Savannah Giant

Crane Capacity: 500 Tons  
 Barge Dimensions: 180' x 80' x 10'

#### Ocean Ranger

Crane Capacity: 500 Tons  
 Barge Dimensions: ABS 200' x 72' x 14'

#### Stevens 1401

Crane Capacity: 140 Tons  
 Barge Dimensions: 142' x 58' with spuds

## Stevens Towing Shipyard

### Railways

We Have Two Large Marine Railways With A Weight Capacity Up To 1650 ST And Dimension Up To 300' Long x 80' Wide.

### Travel Lift

Weight Capacity: 150 ST • Length Unlimited x 37' Wide

STEVENS TOWING - A RESPECTED NAME IN THE MARITIME INDUSTRY FOR OVER 100 YEARS.

## FOR SALE M/V HORIZON'S EDGE



MOTIVATED SELLER  
 \$2,950,000.00

Length: 161.3' (registered) - LOA: 186'  
 Year Built: 2000

For more information visit

[www.horizonsedgeboston.com](http://www.horizonsedgeboston.com) or contact  
 Owner's attorney David S. Smith at 978-744-8918

**Successful TN Marina**  
 Price: \$2,000,000 • Great Cash Flow



Please Contact: **George Ash**  
 Marina Investment and Marketing Adviser  
 ash1@simplymarinas.com  
 352-262-5784 • [www.simplymarinas.com](http://www.simplymarinas.com)

**For Sale \$180,000**  
 60' A-1 Fiberglass Hull (100 mile)




New COI 8/17, stb 118, inland cert 103. 2-892 Nats. Fully equipped, new Garmin Radar, 271, 14KW Gen. Upper deck seats 22. Family owned. Freeport, L.I.  
[www.dolphinfishingfleet.com](http://www.dolphinfishingfleet.com)  
 Email: tgreco7@optonline.net  
 Capt Retiring. Tony: (516) 382-5777 Days

**Landing Craft**  
 Available for Charter

(2) LCM-8 - 74' x 21' x 4'  
 Capacity 50 Tons

(1) LCM-6, 56' x 14' x 3.5'  
 Capacity 25 Tons

All Equipped w/ Hydraulic Cranes  
**DAVE ALLAN • (207) 882-5400**



**Manufacturing Cost Effective, Polyurethane Foam for Flotation and Insulation in the Marine Industry (MIL-P-21929C Compliant).**

**Uses:**

- Greatly extend the life of otherwise ready to retire barges, boats, docks, and more...
- Save tens of thousands of dollars over replacement or repair costs.
- Insulate spaces requiring efficient temperature control (i.e. living quarters, storage to prevent freezing or storage for cooling/freezing).

**Installation:**

- Our installers will come to you.
- We also offer do-it-yourself training and sell the necessary equipment for your business to install.

**518-587-0285**  
[www.bargerepair.com](http://www.bargerepair.com)

**Southern Marine Services Inc.**  
 Email: [southernmarineservicesinc@gmail.com](mailto:southernmarineservicesinc@gmail.com)  
 Website: [www.Southernmarineservices.com](http://www.Southernmarineservices.com)  
 (321) 536-4855 / (321) 613-0458

**SE HABLA ESPANOL** WE WANT YOUR BUSINESS

**100' CREW DIVE SALVAGE ISLAND CARGO BOAT**



Triple Screw • Twin Gen 30kw  
 Can Carry 100 Pass and Deck Cargo  
 Reconditioned Engines • Good Hull  
 Licensed Gulf  
**Will Deliver to Your Dock**  
**Bargain Boat at Only \$175,000**

**20 Years PACIFIC BOAT BROKERS.com**  
 1997 2017

**BUYING OR SELLING?**  
 What Are You Doing With Your Boat?

List your vessel with us today...for free

Our website is viewed by thousands daily. Buying? We have hundreds of vessels to choose from.

**THIS MONTH'S FEATURE**  
**EMPRESS I • 30' x 10'6"**  
 1997 Silver Streak Built • Location: Sunshine Coast, BC  
 Engine: Twin Volvo 330 HP Diesel • Engine Hours: 4,700  
 Cruising Speed: 29 Knots • Full Speed: 41 Knots  
 Fuel Tanks: 1, Alum., 500L • Radar, GPS: Furuno • VHF  
**\$239,000 (CAD) Approx. \$193,937 (USD)**  
**Stock #WA5053**



Head Office Toll Free: 1-877-448-0010  
 Email: [sales@pacificboatbrokers.com](mailto:sales@pacificboatbrokers.com)  
[WWW.PACIFICBOATBROKERS.COM](http://WWW.PACIFICBOATBROKERS.COM)

**FOR SALE OR LEASE PURCHASE**  
 OWNER FINANCING AVAILABLE



M/V "Henrietta III" 165 x 34 x 7 Steel hull, 518 pass. USCG certified, current COI, Twin Cummins 855's, Twin 290 kw gen. Seats 475 plus for inside dining. Vessel is in excellent condition. Located Troy, NY in fresh water. Turn key ready to go. \$900,000.00  
**Lease/Purchase \$12,000/Mo.**  
**(518) 470-5208 • (518) 270-1901**  
[captainjp.com](http://captainjp.com)

**MARINE TRAVELIFT 200 BFM 1994**



Capacity: 440,000 Lbs.  
 ICW: 36', ICH: 35'  
 New hoist chains  
 New drive chains for wheels,  
 John Deere diesel engine  
 Dual hydraulic sling adjustment,  
 New 4-ply slings complete with hardware  
 chine & keel pads for protection  
 New galvanized wire rope throughout.

**AVAILABLE IMMEDIATELY**  
**\$595,000.00**

Contact:  
**Jason Johnson**  
[jjohnson@marinetravellift.com](mailto:jjohnson@marinetravellift.com)  
**(920) 743-6202**  
**Marine Travelift, Inc.**

**RTB RITCHIE BROS. Auctioneers**

**Unreserved public equipment auctions**

**Fast, flexible financing available – up to 100%, \$0 down**



**M/V Sammy J 60**



**Large Quantity of Barges**



**Large Quantity of Poseidon barges**



**Barge**

**Des Moines, IA**

**October 27 (Friday) 9 am**

**Equipment includes**  
 Tug boats, barges, jet skis, sailboats, ski boats, pleasure craft & much more

**On-site inspection hours**  
 Mon - Fri, 8 am - 5 pm

**Bid in person or online**

- ▶ No minimum bids or reserve prices
- ▶ Test and inspect on-site
- ▶ Open to the public

**Financing & leasing available**  
 Up to 100% financing, with no money down.

**Location**  
 1987 NE 54th Ave, Des Moines, IA

**More items added daily**  
 Call about selling: 515.608.5634

See complete listings at [rbauction.com](http://rbauction.com)

Auction Firm # 2008000166 / Auctioneers Frederick R. Vismeier # 2004000137. QAC. Terms and conditions apply. See [rbauction.com/financing](http://rbauction.com/financing).

**Dames Point Workboats, Jacksonville, FL**  
**(904) 757-0407 • www.damespointworkboats.com**



20' x 8' Beam **Pushboat For Sale** - 1989 ECS Pushboat. 371 Detroit, Twin Disc gear. Top of pilot house unbolts for easy transport. More pictures available on website or request. **\$42,500**



**Aluminum Pushboat For Sale** - Aluminum Ex-Army Bridge Boat, 353 Detroit with fresh rebuilds. 3:1 gears. Alum. tri-axle trailer included to easily pull with 3/4 ton pick-up. Boat was shortened to 25' 3". **\$31,500**

**110' x 34' 1943 STEEL • EX-NAVY REPAIR BARGE**



All steel construction Appears to be in Very Good or better condition throughout! CLEAN: Used for Electronics repair. 96' two-story house w/ 7' 2" ceiling height. 7' open deck at each end. Approx. 3,250 sq. ft. on each of two decks & below main deck which has refrigerated storage & water integral tank approx. 2500 gal. Fully plumbed w/heads & showers on 2 decks, 500 cu. ft. holding tank. Fully

MODERNIZED electrical w/480/240/110 shore power & transformers. Fire suppression sys., Fiber optic wired thruout, vapor proof DOANE lighting. No propulsion or gen set. All interior walls on upper decks removed, totally open space ready for your EASY reconfiguration. Perfect conv. to camp, quarters barge, shops, display, retail, floating residence, etc. Loc. in fresh water at Seattle, WA.

**\$249,500.00**

**ALL Details • Photos: www.PacificMarine.org**  
**Email: david@pacificmarine.org • (206) 225-3360**

**Two Certified Landing Crafts For Sale**



76 x 22.5 Landing Craft. Over 500k spent in refurbished and extensively modified in 2010, including new Tier 2 John Deere 6125 engines w/ low hrs. & Twin Disc gears, 20kw and 40kw gen sets, 12T RO Stinger crane w/ 60' boom, widened 22 x 56 cargo area, galley/accommodations, full electronics, stern anchor winch, two stern mooring winches and lots more. Legal to haul freight for hire. Feb 2017 100k drydocking incl complete blast/paint, new gate, new wheelhouse main deck, much more" **Reduced \$100,000 to \$585,000**



76 x 22.5 Aluminum Coast Guard certified Landing Craft. Refurbished and extensively modified in 2003 including Twin Detroit Series 60 engines. (2) 30kw gen sets, 10T crane w/ 60' boom, galley/accommodations, full electronics, stern anchor winch, and lots more" **Reduced \$100,000 to \$585,000**

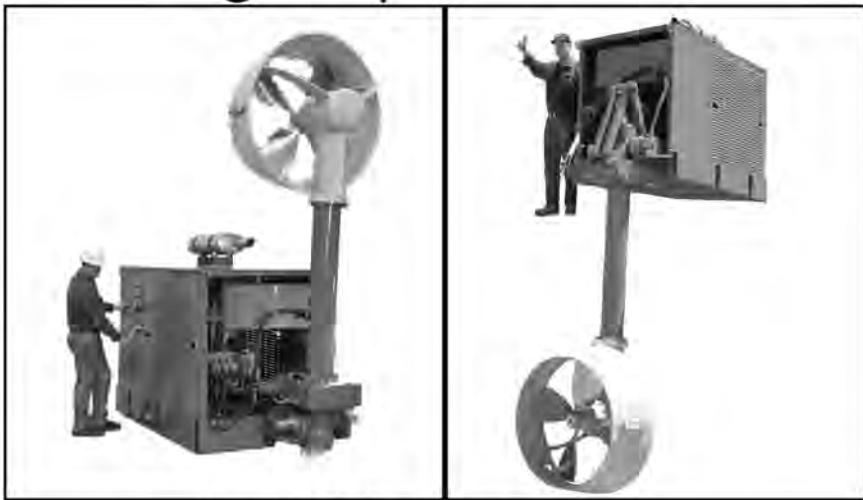
To Duplicate Modification/Conversion Work done on these vessels would run several hundred thousand dollars.

**619-533-7932 • Located West Coast • Delivery Available**

"Special Delivery Price on freighter to FL or Bahamas - \$75k, (About 1/2 the normal rate)"  
 grant@pacifictugboats.com



**Barge Propulsion Units**

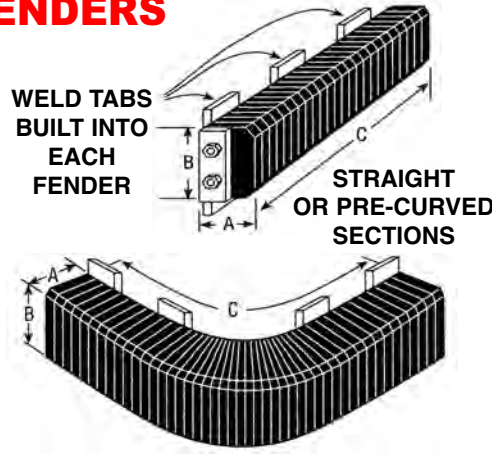


**Available for rental**

For over 30 years, Thrustmaster of Texas has been building outboard propulsion units for propulsion and maneuvering of barges used in brown water for marine construction projects. Powered by a Cummins QSB6.7 diesel engine, the Thrustmaster barge propulsion unit is a completely self-contained, hydraulic unit that can quickly be installed on the deck of any barge to provide pinpoint maneuverability and propulsion. Thrustmaster outboard drives freely azimuth through 360 degrees of steering range making them extremely responsive and ideal for tight quarter maneuvering and positioning applications. The units are extremely robust and equipped with a hydraulic power tilt system capable of elevating the outboard drive assembly through an arc of 180 degrees to allow instant access for clearing ropes or logs fouling the propeller. Thrustmaster units are ideal for your construction project and available for immediate shipment.

Contact: Bert Ault - International Sales Manager Phone: 713-937-6295  
 bert@thrustmastertexas.com Mobile: 713-249-2375  
 www.Thrustmaster.net

**WELD-ON D-GUARD FENDERS**



**WELD TABS BUILT INTO EACH FENDER**

16901 Wood-Red Rd.  
 Woodinville, WA 98072  
**1-800-426-3917**  
 Fax: 425-488-2424  
 sales@schuylerrubber.com  
 www.schuylerrubber.com



1036 Vicky Lane  
 Broussard, LA 70518  
**1-866-347-9445**  
 Fax: 337-321-4276  
 sales@schuylermaritime.com  
 www.schuylermaritime.com



1 1/4" RODS PART NO.	DIMENSIONS		
	A	B	C
SR114D 0606	6"	6"	12"
SR114D 0609	6"	9"	
SR114D 0707	7"	7"	
SR114D 0808	8"	8"	to
SR114D 0810	8"	10"	240"
SR114D 0909	9"	9"	
SR114D 1010	10"	10"	

3/4" RODS PART NO.	DIMENSIONS		
	A	B	C
SR114D 0404	4"	4"	12"
SR114D 0405	4"	5"	
SR114D 0406	4"	6"	
SR114D 0408	4"	8"	to
SR114D 0410	4"	10"	240"
SR114D 4510	4.5"	10"	
SR114D 4512	4.5"	12"	
SR114D 0606	6"	6"	240"
SR114D 0610	6"	10"	
SR114D 0612	6"	12"	

**5 MILLION LBS. IN STOCK**  
**RENT - SELL - LEASE - TRADE**

Anchors, Chain, Buoys, Yokohamas,  
 Sea Cushions, Wire Rope and Fittings,  
 Deck and Dock Hardware, Oil Boom,  
 Towing and Salvage Equipment

**NEW**  
**USED**  
**A.B.S.**



**Anchor Marine & Industrial Supply, Inc.**

P.O. Box 58645 **1-800-233-8014** (713) 644-1183  
 Houston, TX 77258 24 Hour Service Fax: (713) 644-1185

**WEBSITE: www.anchormarinehouston.com**  
**email: sales@anchormarinehouston.com**

**Flagship Marine - Keep It Simple Stupid - the KISS principal has guided us since 1995!**



**NO EXPENSIVE, PROPRIETARY PRINTED CIRCUIT BOARDS!**  
**A CHILD CAN FOLLOW OUR SCHEMATICS!**



**CHILLERS • SELF - CONTAINED AIR COOLED - EXPLOSION PROOF EXTREME DUTY FOR UP TO 105°F SEAWATER!**

**OVER-THE-COUNTER COMPONENTS SLOWLY EVOLVED DESIGN AND COMPONENT SELECTION OVER MANY YEARS OF EXPERIENCE.**



Air Cooled Rooftop Units By RVP Coleman 13,500 BTUs With Heat, Install Kit And Ceiling Assembly For Only **\$929.95**



**Made With Pride In The USA!**

International Distributor Fernstrum Keel Coolers & Sen-Dure Heat Exchangers

Phone: 772-283-1609  
 Fax: 772-283-4611  
 Watts: 800-316-6426  
**Flagship Marine, Inc.**  
 2427 SE Dixie Hwy.  
 Stuart, FL 34996  
 flagshipmarine.com  
 sales@flagshipmarine.com



**Custom Aluminum Construction**



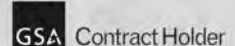
**Derecktor - Built for the future.**

**Now Featuring Hybrid Propulsion Designs**

Clean, efficient, reliable power for those operators looking for quieter vessels, and who are concerned about the marine environment.

Call Micah Tucker at (914) 698-5020  
 or visit [www.derecktor.com](http://www.derecktor.com)

**DERECKTOR**  
 NEW YORK + FLORIDA + MAINE SINCE 1947.



**73' Sabre Catamaran  
Passenger Ferry 1999/2017**



This boat has undergone a complete refit from top to bottom. New Reman MTU 16V2000 with brand new gears and generator, new shafts and wheels, new electronics, new A/C, new windows and interior, the list is extensive.

**Asking \$1,350,000.00**  
**Call Charlie • (772) 260-1021**  
**This Boat Cannot be Registered in the US**

**Godwin HL-160M Pump**



2009. C-15 Cat, 500 hours on engine. 2 hours runtime on pump section since certified rebuild.

**\$95,000**  
**Scott Bridge • (334) 748-0537 AL**

[www.WaterTaxiMarine.Com](http://www.WaterTaxiMarine.Com) Ph: 513-557-6936

**WATER TAXI MARINE**  
Fiberglass Catamarans with C.O.I. 35 to 49 PAX




**C.O.I. 49 PAX with OB power from \$139,000.00**

INCLUDES: Two 90 Hp Merc 4 str. \* 60 Gal Fuel Tank \* Stability Test \* Bench Seats for 49 PAX \* Helm & Captain's Chair \* Railings \* Gates \* Bilge Pump.  
\*\*\* Additional Cost for Hydraulic Steering, Restroom, Rigging Canvas, Canopy Frame \*\*\* Price FOB Cincinnati, Ohio

**WaterTaxiMarine@Gmail.Com**

**WaterTaxiMarine.Com 513-557-6936**

 **P C Industries**  
[www.powerlinecomponents.com](http://www.powerlinecomponents.com)

**Specializing in Detroit Diesel 2 Cycle Engines**

Complete Line of Remanufactured Subassemblies  
Blowers, Con Rods, Cylinder Heads, Injectors,  
Fuel Pumps, Oil Pumps, Water Pumps and More!



**Large Inventory of New Parts**  
Pistons, Cylinder Liners, Ring Sets, Gasket Sets, Bearings

 **North West Distributor**  
Kocsis Hydraulic Starting Systems

**New Water Cooled Exhaust Manifolds & Accessories**  
for Caterpillar, Cummins & Detroit Diesel Engines



**P C Industries, LLC**  
1088 N. Washington, P.O. Box 490  
Afton, Wyoming 83110 USA  
Phone # (307) 885-4724  
Fax # (307) 885-3215  
Toll Free # (877) 885-4724

*Remanufactured & Dynamometer Tested Detroit Diesel Engines*



**DREDGE TENDER ("MARY AMANDA")**




**14' x 37.5'**  
Twin 671 with  
Twin Disc Reduction Gears  
(2) Radio Systems & Radar  
Air Compressor  
Air Starters  
Electric Over Hyd. Steering

**800' OF 14" STEEL DREDGE PIPE  
WITH BALLJOINTS AND PONTOON TANKS**



Email Justin Tassin For Pricing  
[Justin@mdi-dredging.com](mailto:Justin@mdi-dredging.com)

 **BYRNE Rentals and Sales, LLC.**  
Marine & Construction Supplies  
24 HR Phone (985) 702-9500  
Toll Free 1 (800) 99-BYRNE  
Trusted Over 30 years



**SPECIAL!! NEW 40 TON  
DECK WINCHES - \$3,500.00 Ea.**



**YOKOHAMA BOAT FENDERS - All Sizes**



**NEW AND USED ANCHORS**




**NEW AND USED ANCHOR CHAIN**

**BUILT TO ORDER CUSTOMIZED WINCHES AND PEDESTAL CRANES**



**SEAHORSE  
4 DRUM  
DIESEL POWERED WINCH  
MODEL WDW-100**

100,000 Lbs. S.L.P. 1 St Layer  
Holds 3,000 Ft. of 1-1/8" Cable  
**READY TO GO**



Snatch Blocks	Swivels	Pulling Blocks	Marine Fittings
Yokohama Fenders	Headache Balls	Capstans	Air Tuggers
Shackles	Marine Fairleads	Windlasses	Winches
Buckets	Tow Plates	Buoys	Anchors
Deck Blocks	Generators	Crane Blocks	Ship's Chain

[www.BYRNERENTALS.com](http://www.BYRNERENTALS.com) [SALES@BYRNERENTALS.com](mailto:SALES@BYRNERENTALS.com)



# CS Marine Constructors Inc.

CS MARINE CONSTRUCTORS, INC.  
425 15TH Street Vallejo, CA 94592  
WWW.CSMARINE.COM

Rental/Services: [Mark@csmarine.com](mailto:Mark@csmarine.com)  
Sales: [Terry@csmarine.com](mailto:Terry@csmarine.com)  
(707) 562-4100

### Barges for Charter

Hopper Barge (3000 Ton)  
Jackup Barge, Portable  
Spud Barges  
Deck Barges



### Services

Dockside Mobilization  
Floating Crane Service

### Equipment for Rent

Anchors Ramps, Fenders  
Buoys Concrete Buckets  
Fairleads Bardex Jacking System

**For Sale - Good running**  
2900 Manitowoc Truck Crane,  
outriggers bad,  
makes good pedestal  
mount @ \$15K



**For Sale - 18 Ton Drott Hyd.**  
Crane.....\$10K



**For Sale**  
UHMW – 3" thick black,  
white and yellow. Some  
new, some used.  
\$1.00/lb ?

## For Sale: 2003 Zodiac H920 Fireboat



Powered by Twin Yanmar  
440 Diesel engines and  
Twin Disc water jets.  
200 gallon fuel capacity.  
Features include generator,  
1750 GPM fire pump,  
roof-mounted deck gun,  
30 gallon foam tank,  
air conditioning and heat,  
remote ACR searchlights,  
Whelen hailer, Raytheon  
electronics package, and  
numerous other extras.

**For more information contact Dean at (561) 909-9788**



Ray Reeves, Owner  
PO Box 4015, Houma, LA 70361  
Office: 985-876-4242  
Cell: 985-637-0722  
[rayreeves@bellsouth.net](mailto:rayreeves@bellsouth.net)

## Reeves Boat Company Has The Following Inland Crew Boats For Sale



**Capt David** - Built by:  
Breau's Bay Craft  
(Aluminum)  
Year: 1982 - Length: 41'  
- Breadth: 14' - Depth: 6'  
Engines: 2- 671 Detroit,  
1- 8KW Northern Lights  
Generator

**Miss Sybil** - Built by:  
Breau's Bay Craft  
(Aluminum)  
Year: 1982 - Length: 41'  
- Breadth: 14' - Depth: 6'  
Engines: 2- 671 Detroit,  
1- 8KW Northern Lights  
Generator

**Miss Eunice** - Built by:  
Breau's Bay Craft  
(Aluminum)  
Year: 1982 - Length: 43'  
- Breadth: 14' - Depth: 6'  
Engines: 2- 671 Detroit,  
1- 8KW Northern Lights  
Generator

**M/V: Kerrie** - Built by:  
Breau's Bay Craft  
(Aluminum)  
Year: 1977 - Length: 45'  
- Breadth: 14' - Depth: 6'  
Engines 2- 892 Detroit,  
1- 10KW Northern Lights  
Generator

**Ted** - Built by:  
Breau's Bay Craft  
(Aluminum)  
Year: 1976 - Length: 40'  
- Breadth: 14' - Depth: 6'  
Engines: 2- 671 Detroit,  
1- 8KW Northern Lights  
Generator

**Paul Ray II** - Built by:  
Breau's Bay Craft  
(Aluminum)  
Year: 1981 - Length: 43'  
- Breadth: 14' - Depth: 6'  
Engines: 2- 671 Detroit,  
1- 8KW Northern Lights  
Generator

**Please call for any additional information and price.**

# Scully's Customized Boats



MDL 2072VWB, T-Top



MDL 2284VWB, T-Top



MDL 2284DVWB, Cabin, AC5



MDL 2484VWB, T-Top



MDL 2484VWB, Cabin, Survey



MDL 2684DVWB, Cabin

## Scully's Constructs Up To 100 Foot Vessels USCG Certified



MDL 2884DVWB, Cabin



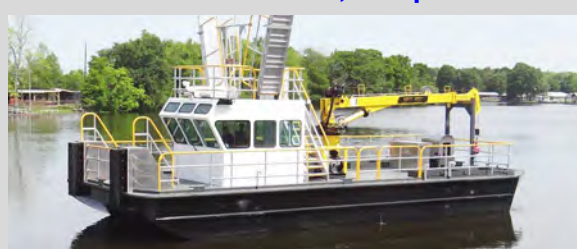
MDL 2896BS, T-Top



MDL 3410BV, Cabin



MDL 4012BV, Cabin, AC



MDL 4518 Crane Barge



MDL 2684LC, T-Top

**Boats Are Available IN STOCK Up To 40 Feet Long • Mercury, Honda, and Yamaha Packages Also Available**  
**Offers: Jet Drives, Diesel Applications, Shaft Logs Applications**

**Phone: 1-866-238-8353 • Fax: 1-985-384-5146 • 1015 Stephenville Road • Morgan City, LA 70380**

**Email: [info@scullyboats.com](mailto:info@scullyboats.com) • [www.scullyboats.com](http://www.scullyboats.com)**

Available On GSA Contract

**A & D SHIPYARD  
BROOKLYN NY  
718-404-4285 (HAUL)**

**7  
1  
8  
4  
0  
4  
H  
A  
U  
L**



**Brooklyn's  
First  
120 Ton Lift  
Servicing  
Your Complete  
Shipyards Needs  
Hauling  
Painting  
Welding  
Shaft & Prop Work  
50 Years of Experience**



**OIL PADS**

**Only \$19.95 Per Bale**

**Five Stocking Locations**

We Have The Best Prices On Oil Absorbents, Booms, Pads and Socks.

**800-9-BUYNET**

[www.buyingnetwork.com](http://www.buyingnetwork.com)

**MARINE PILOT HOUSE CHAIRS**

Adjustable Swivel Seat  
Aluminum Inland and Offshore Bases

**\$780.00**  
F.O.B.

Port Arthur, TX



**Texas Wheel Works, Inc**

PO Box 1276 • Port Arthur, TX 77641-1276

**PHONE: (800) 238-9402**

**FAX: (409) 984-5690**

**Portable Pushboats For Charter**



**430/330 HP Twin Screw  
25' x 12' x 5', 3.5' Draft  
J-Way Leasing & Marine, LLC  
(440) 934-1020**

**60' x 16' x 4' Pilot/Crew/Launch**



Breaux 1991, Twin Cat 3406B Turbo w/Twin Disc MG 5114A. 24kW Genset, cold A/C, 800 gal fuel, 18 knot cruise. Reduced to \$179,000 Tampa, FL.

**50' x 15' x 6' Pilot/Crew/Launch**



Completely rebuilt 12V-71 TA 530 HP 22 Knots, New props, shafts, rebuilt clutches on ZF gears. New paint bottom & topsides, Furuno electronics. Excellent condition, Try \$189,000, New Orleans, LA.

**For More Info & Pics  
(251) 610-3111 or**

**Email: [oceanicservicesllc@gmail.com](mailto:oceanicservicesllc@gmail.com)**

**Northeast Industrial & Marine Equipment Supplies**

661 Route 9 Cape May, NJ 08204

1-800-884-3152 609-884-3152 609-884-3510

Fax: 609-884-3170, Check Us Out @[www.northeastindustrialnj.com](http://www.northeastindustrialnj.com)

**EQUIPMENT SUPPLIES FOR ALL PHASES OF THE FISHING, DREDGING, MARINE CONSTRUCTION, AND TRANSPORTATION INDUSTRIES**



- Pullmaster, Superwinch, Lantec, Kinematic
- Custom Built Power Units
- Winches - Planetary, Worm Gear
- Control Valves 4 GPM - 400 GPM
- Hydraulic Pumps - Gear, Piston
- Hydraulic Motors - Staffa, KYB, Char-lynn
- Free Fall Winches - 5,000 lb. to 75,000 lb.
- Wintech Winches - Electric, Air, Hand Cranked
- Transmissions - ZF, Twin Disc

**John Deere / Yanmar Industrial Engines**

- Custom Winch Systems 1,000 to 300,000 Line Pulls
- Custom Built Winches - 1,000 lb. to 200,000 lb. Line Pull & Diesel HPU Units
  - Electric HPU Units
- Spud Handling Systems & Barge Anchoring Systems
- Used Equipment Refurbishing
- Equipment Rentals - Winches, Power Units

- Custom Built Barges

**National & International Services**

**Hydraulic, Welding, Machine Shop Service**

Email us @ [neindustrial@hotmail.com](mailto:neindustrial@hotmail.com) or [contact@northeastindustrialnj.com](mailto:contact@northeastindustrialnj.com)



**VIKING ENHANCED SOFTLOOP FENDER**

*When Push Comes to Shove  
Have a Viking on Your Side*

- The softest, most forgiving ship assist fender on market
- Designed for greater energy absorption and gripping ability
- Ideal for tractor tugs, bow, stern and side fenders
- Side hip fenders for tug and barge units
- Pier cell fenders



a division of Viking Marine Products, Inc.

977 New Durham Rd, Edison, NJ 08817

Tel: +1 732-826-4552 • Fax: +1 732-826-5533

Complete Brochure at: [www.vikingfender.com](http://www.vikingfender.com)

**CLOSING DATES • SECOND OCTOBER ISSUE 2017**

**FOR DISPLAY**

October 4th, 2017  
9:00 A.M. C.S.T

**To Be Mailed**

October 9th, 2017

**FOR CLASSIFIED**

October 6th, 2017  
10:00 A.M. C.S.T



**FLOATING DOCKS, GANGWAYS, SEAWALLS  
RAVENS MARINE, INC.**



3295 ORANGE AVENUE  
KISSIMMEE, FL 34744  
PH: 407-935-9799  
TOLL FREE: 800-676-3023  
FAX: 407-935-9436  
[www.ravensmarine.com](http://www.ravensmarine.com)  
[ravens@ravensmarine.com](mailto:ravens@ravensmarine.com)



**AT RAVENS MARINE, QUALITY IS #1**



**FROM THE BACKYARD DOCK TO THE FULL SCALE MARINA, WE MANUFACTURE THE COMPLETE "PICTURE"**





HL130M DRI-PRIME PUMP



6X6 JET PUMP



ANVIL 25T GRAPPLE



ICE 416 VIBRO HAMMER



ATLAS 20T GRAPPLE



3 Each Allis Chalmers 475 KW GENSETS



D200 PILE HAMMER



DIVE EQUIPMENT AVAILABLE FOR LEASE

- COMPRESSORS
- CHAMBERS
- COMM'S
- COMPLETE PACKAGES



**PRECON MARINE, INC.**

**CONTACT: MACON HODGES, (757) 439-9963**  
**MHODGES@PRECONMARINE.COM**  
**FOR ADDITIONAL EQUIPMENT CHECK OUT:**  
**PRECONMARINE.COM/EQUIPMENT**  
**ALL EQUIPMENT—FOR SALE OR LEASE**

**MANITOWOC 4600 SERIES III**

**COMPLETE RESTORATION**

- CUMMINS RE-POWER
- 240 TON CAP.
- 160' BOOM
- RINGER READY

**CRANES AVAILABLE FOR RENT/LEASE/PURCHASE:**

- MANITOWOC 4100 SERIES II - 230 TON CRAWLER
- 2015 LINKBELT 348 HYLAB - 300 TON LATTICE CRAWLER
- 2016 LINKBELT ATC 32210- 210 TON HYD. TRUCK CRANE
- 2014 LINKBELT HTC 86100- 100 TON HYD. TRUCK CRANE
- 2014 GROVE TMS 700E- 60 TON HYD. TRUCK CRANE
- 2010 STERLING- 30 TON HYD. BOOM TRUCK
- 1999 STERLING- 20 TON HYD. BOOM TRUCK
- 1992 FORD L-8000 "SNOOPER" BRIDGE INSP. TRUCK

ALL CRANES HAVE CURRENT INSPECTIONS AND READY TO WORK. OPERATORS AVAILABLE ALSO.

**64' X 32' X 7' LIFT BOAT**  
**8-71 DETROITS**  
**70' CRANE**

**THRU-DECK DRILL WELL**



SUPER JUMBO'S - 260' X 52.5' X 12'



THE TAMPA 2014 TRUCKABLE TUG



ROBISHAW S-50 FLEXI FLOATS



ECB SECTIONAL BARGES 41'x10'x5'



120x30 Material Barges Lease or Purchase

**WATERFRONT AVAILABLE FOR LEASE**

ELIZABETH RIVER- CHESAPEAKE, VA.  
 FLEET YOUR BARGES OR STEVEDORE

350 FT

500 FT

YARD ACCESS & STORAGE ALSO AVAIL.

**BARGES/TRUCKABLE TUGS BUILT TO SUIT!!**

**CONTACT: ALLEN CUTLER, (757) 754-0767**  
**ACUTLER@INLANDMARINEVA.COM**  
**ALL EQUIPMENT—FOR SALE OR LEASE UPON AVAILABILITY**

**BARGES FOR RENT**



Sectional Barges • Located In Florida  
40 x 10 x 5 & 60 x 11 x 4  
**Contact: (305) 965-8852**  
**Email: barge@bargerent.com**




**46' 1988 Trojan Int'l 14 Meter Conv.**  
Twin 750 hp wet turbo diesels 900 orig. hrs., 12.5 Onan 1600 hrs., 16' 3" beam 2 SR 2 head layout  
**Health Forces Sale**  
**Make All Offers**  
**(813) 641-8886**  
**valbelle@tampabay.rr.com**




**65' Mississippi Like River Boat - 78' Overall, Includ.**  
Stern Paddle. USCG Lic. For 150 + 10 Crew. Full Electronics, USCG Insp. Both Decks Heat & A/C. 2 - 671 GM Diesels. 2-371 - 50 KW GM Gens @ 1200 RPM. Brielle, NJ.  
**\$450,000 • (732) 245-1592**

**1979 Lydia 62' Excursion Boat**



Twin 300hp Isuzu diesels, 10KW Maspower genset, bar. Certified 116 passengers Lakes, Bays and Sounds. USCG topsides and drydock exams done July 2017. COI good through July 2021. 29GRT  
**Price \$115,000.00**  
**Call for more info: (941) 204-3474**



**1959 J-3759 US Army Picket Boat**  
Documented, 45', 12' Beam, 5.7" draft, last used as lighthouse service, steel, all fresh water, rebuilt twin 671 GM, radar, broad array of safety equipment, compressor, Recent 2016 survey, 300 gal fuel, no generator, no head. **Reduced Make Offer • Winter Storage Paid (989) 738-6555 • lou@unitedshortline.com**



**100' (149) Passenger Triple Screw Aluminum Tour Boat / Ferry**  
1971 Camcraft conversion. 3412 Caterpillar powered with two 30 KW 3-71 Gensets. Currently working in Hawaii but will deliver to West Coast. May partial finance to approved party. \$275K. This is our vessel and will give courtesy to brokers. New 5 year COI for USCG haul inspection and dry dock 2-1-17.  
**Email: maucaptaindave@yahoo.com**  
**For Details**




**119' Navy Landing Craft**  
\$700K + In Recent Upgrades. 200T Cargo Capacity. Excellent Condition. Very Shallow Draft - 3'9", Freshwater Docked, Fresh Rebuilds, Electronics.  
**Location - US Gulf • \$900K**  
**(228) 918-6090**  
**gulfstreamcorp.com**

**65' CREW BOAT • BREUX BAY CRAFT**



1982, All Current USCG Certifications, Galley, Head, Shower And Bunks, 30 Passengers, Exceptional Condition! (2) V12-71 Detroit, 20 KW Gen., Ready To Work, Needs Nothing.  
**3 To Choose From - \$350,000**  
**(631) 331-5336**

**40' x 14' Sea Mule Work Barge**



Twin Chrysler Royal Marine M8 engines. 11500'b hydraulic Prentice 3 section crane. Stedt hydraulic clam bucket crane. JD 9300 backhoe unit. 21" Spuds with electric winch. Hughes Tools 500 lb. hydraulic hammer. Located in Chicago, IL.  
**\$40,000 • Contact: (708) 363-2714**

**65' Sewart Sea Craft For Sale**



**Very Good Condition**  
**\$180,000.00 • (504) 329-0451**  
**gauthierboat@aol.com**



**1984 - 38' Monark Crew Boat**  
Twin 671 225 HP ea., Twin Disc 507 2:1 gears 27 x 26 SS wheels, ready to customize for your mission.  
**\$49,900.00 • Call (302) 462-5205**  
**or captdrone@aol.com**



80' x 21' x 6.5' Extra Heavy Built Steel Vessel, NO RUST Lots of Stainless, 3,000 Gal. Fuel, 1,200 Drinking Water, Excellent Liveaboard.  
**Must See to Appreciate!**  
**\$250,000 • (727) 373-8022**



**2002 Linkbelt 2800 Marsh Excavator Presco**  
One Load, 6400 Hrs., A/C, Heat, 50' Reach, Excellent Condition.  
**\$180,000.00 • N.J. • (215) 624-2221**

**For Sale**



**Cl80 Liftboat with Side Tanks**  
**Contact: (609) 675-8611 For Details**

**MARINA EQUIPMENT FOR SALE** **(305) 882-7000**  
**gwork@wejohnson-fl.com**

<p><b>2004 75 Ton Marine Travelift</b></p>  <p>with Remote in exc. cond. Late model 75 BFM11 metric ton cap., (165,000 lbs) w/lots of extras. (2) speed hoist, (2) speed drive, remote control. John Deere dsl engine 4045TF w/low hrs. <b>PRICE REDUCED!</b></p>	<p><b>2007 Marine Travelift 300 Ton</b></p>  <p>Model 300C metric capacity. Great condition. Inside clear W: 32'8". Inside clear H: 40'. John Deere diesel engine, 2 speed. Hoist and drive, remote control. <b>Available Now!</b></p>
--	---

**PROCK MARINE COMPANY**  
Specializing In  
Residential & Custom Docks, Commercial Work, and Shore Stabilization, Mainly Along the Coast of Maine  
Barge Rental Also Available




Rockland, Maine  
207-594-9565  
[www.prockmarinecompany.com](http://www.prockmarinecompany.com)



**140' x 40' x 7' Crane Barge With LS318**  
**100' x 30' x 5' Spud Barge with 80T Grove Truck Crane**  
**(2) Conex Buildings with Tools and Quarters**  
**650HP Truckable Tug**  
**Call Tommy @ 504-450-8332**

**5 - 20,000 BBL LIQUID STORAGE TANKS**

Mounted On Concrete Barges - 65' x 75' x 12'  
Tanks Need Upgrades, But Very Usable, Barges Excellent Condition • Loc.: Lake Charles, LA Intercoastal Waterway  
**\$600,000.00 Each**  
Tanks Can Be Purchased Or Leased And Stay On Intercoastal Waterway For Use As Needed Have 500' Slip And Can Be Enlarged



**1 TWO STORY CONCRETE BARGE**  
**36' x 62' x 12'**



**Call (337) 540-1485 or**  
**(800) 256-8832 - Phillip Or**  
**Email: UTEC1@earthlink.net**

### Deck (Party Barge)



144' x 32'. Wired for generator and shore-power. Two bathrooms, ramp, galley and retractable spuds.

**\$150,000.00**  
**(270) 860-5826**

### 600 HP Work Boat For Sale



Built by Inland Marine, Year 1997, Two Detroit 8V71 Engines Rebuilt 2016, Hull and Keel Cooler Rebuilt 2016, Two 10 Ton Winches, Two Propellers 36", Two 10' Push Knees.

**\$175,000 USD Negotiable** • (786) 991-6875  
[www.imtglobalsolutions.com](http://www.imtglobalsolutions.com)

## INSURANCE SOLUTIONS

**NOT EXCUSES...**

- Tugs & Barges
- Charter Boats
- Marine Contractors
- Marinas
- Workers Comp.
- Equipment
- General Liability


- Fishing Vessels
- Live Aboards
- Diving Contractors
- ROVs
- Jones Act
- USL&H
- Bonds

**Paul Lynch & Associates, Inc.**  
*Insurance Consultants & Agents*

701 N. Federal Highway, Suite #401, Stuart, FL 34994  
Telephone (772) 232-9371 Facsimile (772) 232-9375  
[info@insuremarine.com](mailto:info@insuremarine.com) [www.insuremarine.com](http://www.insuremarine.com)

## EVANS BOATS, INC.

[www.evansboats.com](http://www.evansboats.com) 1-800-545-2592 443-783-0529 • [evansboats@hotmail.com](mailto:evansboats@hotmail.com)  
Call For Details & More Information On All Options And Boats Available!



### (3) EA. 55' Derektor Ex-USCG Workboats



All three boats are a matched set and are in good operational condition. Surveys Available.  
For more information please contact Mike Majewski 850-221-5138 or [majewski4@bellsouth.net](mailto:majewski4@bellsouth.net) • For photos please go to [www.kclmsales.com](http://www.kclmsales.com)

**100% Stainless Steel Construction**

## This Muffler can go to HELL and take the HEAT!!!

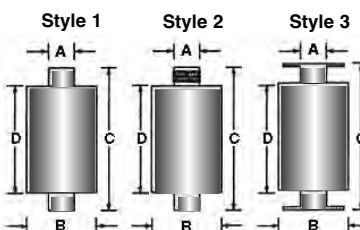
www.the-flex.com

**Exhaust System Silencers** Style 1-2

PART #	A	B	C	D	PRICE
AIM-03	3.500"	6.625"	15"	9"	\$360
AIM-04	4.500"	8.625"	18"	12"	\$385
AIM-05	5.563"	10.750"	21"	15"	\$415
AIM-06	6.625"	12.75"	24"	18"	\$580
AIM-08	8.625"	16.00"	30"	24"	\$715
AIM-14	4.500"	8.625"	22"	16"	\$470
AIM-15	5.563"	10.750"	26"	20"	\$550
AIM-16	6.625"	12.75"	30"	24"	\$745
AIM-18	8.625"	16.00"	38"	32"	\$965
AIM-24	4.500"	8.625"	46"	40"	\$910
AIM-25	5.563"	10.750"	56"	50"	\$1,210
AIM-26	6.625"	12.75"	66"	60"	\$1,450
AIM-28	8.625"	16.00"	86"	80"	\$2,250

NOTE: Above is styles 1 & 2 only!

Call for price of Style 3



**CUSTOM FABRICATION AVAILABLE.**  
All items can be purchased online.

**Carbon Steel Beveled Pipe Stainless Flexible Exhaust**

PART #	HOSE I.D.	A	B	C	D	PRICE
WW-150	1.5"	6.000"	.145"	3.000"	1.900"	\$40
WW-2	2.0"	-	.154"	-	2.375"	45
WW-250	2.5"	-	.203"	-	2.875"	55
WW-3	3.0"	-	.216"	-	3.500"	75
WW-4	4.0"	-	.237"	-	4.500"	90
WW-5	5.0"	-	.258"	-	5.563"	100
WW-6	6.0"	-	.280"	-	6.625"	115
WW-8	8.0"	-	.322"	-	8.625"	150

**Carbon Steel Flanged Pipe Stainless Flexible Exhaust**

PART #	HOSE I.D.	A	B	C	D	PRICE
FF-150	1.5"	10.52"	.875"	12.000"	1.950"	\$70
FF-2	2.0"	10.00"	1.000"	-	2.440"	85
FF-250	2.5"	9.750"	1.125"	-	2.940"	115
FF-3	3.0"	9.625"	1.1875"	-	3.570"	135
FF-4	4.0"	9.375"	1.3125"	-	4.570"	200
FF-5	5.0"	9.250"	1.4375"	-	5.660"	240
FF-6	6.0"	8.875"	1.5625"	-	6.720"	265
FF-8	8.0"	8.500"	1.750"	-	8.720"	350

**Thermal Insulation Blanket Kits**

PART #	PRICE
TIB-3-4	\$45
TIB-5	\$60
TIB-6	\$70


• Crafted from high-purity alumina-silica ceramic fiber blanket and woven fiberglass impregnated with silicone resins. Blanket is firmly stitched with Kevlar thread and is reusable.

• Resists damage, absorbs sound, suitable for operating temperatures up to 1000° F.

• Thermal and physical properties are restored after drying if water, steam or oil wets TIB-kit.

• Built to wrap circumferences in multiples of 6" (6", 12", 18"+) or spiral wrap around long lengths. (Custom widths available)

Fire resistance - meets requirements for combustibility as specified by U.S. Coast Guard 164.009



**AIM**  
APPLEGATE INDUSTRIAL MATERIALS INC.  
P. O. Box 428, Baton Rouge, LA 70821-0428  
1-225-336-4116 • fax 1-225-336-4317  
1-800-843-3539 • [www.the-flex.com](http://www.the-flex.com)  
E-mail: [info@The-flex.com](mailto:info@The-flex.com)

**AIM has set the standard for reliability, durability & service for over 25 years. Run silent, run deep.**

1-800-THE FLEX

## MARINE FUEL TANKS

[www.speedytanks.com](http://www.speedytanks.com)

### ANY SIZE - ANY SHAPE

**ALUMINUM TANKS FOR GAS OR DIESEL**  
*TESTED & BUILT TO U.S.C.G. SPEC.*



**5 DAY TURNAROUND**

VISA MasterCard **UPS DAILY**


### ATLANTIC COASTAL WELDING INC.

**[800] 434-TANK (8265)**  
**OR FAX A DRAWING 1-732-269-7992**

## Ron Cooper Catamarans

### THE MONEY MAKERS

**WE BUILD ONE OF THE MOST FUEL EFFICIENT PASSENGER VESSELS IN THE WORLD**



**63' x 24' Catamaran, base price \$399,000 plus power, stability test for 200**

**The perfect vessels for:**

- Day/Snorkel Trips
- Sightseeing
- Booze Cruises
- Cruise Ship Tenders
- Over 130 Built



**All New 47' x 15.5' Catamaran • USCG Stability test for up to 70 passengers • Introductory base price \$139,000 plus power • Economical and very stable • Glass bottom available • Set up for beach loading • Fast delivery**

**Call Ron Cooper (727) 804-6389 [www.coopermarine.com](http://www.coopermarine.com)**

### Coosa Composite Panels

*Use in place of plywood!*

High density, polyurethane foam, reinforced with layers of fiberglass strands throughout. Lightweight, non-rotting.

SEARCH# CSA-



### Extren® Fiberglass Structural Shapes & Plates

**STRONGWELL GET THE WOOD OUT!**

Corrosion and UV resistant, lightweight, high-strength, low maintenance!

SEARCH# SGW-




## HAMILTON MARINE

### 40th Anniversary

1977  2017

800-639-2715  
hamiltonmarine.com

### FREEMAN MARINE EQUIPMENT, INC. Cast Aluminum Commercial Hatches

Fast acting, flush, watertight. Easily installed in any deck style.

15" x 24"

**\$599<sup>99</sup>**

SAVE \$120



Reg 719.99  
FMN-2433-0002  
Order# 754527

24" x 24"

**\$1099<sup>99</sup>**

SAVE \$230



Reg 1329.99  
FMN-2424-0002  
Order# 754529

### Noise Control

Reinforced metallized polyester film facing with adhesive backing. 32" x 54" sheets.

1" Thick Sound Absorber

HMQ-SA3254M1  
Order# 154807

**\$81<sup>99</sup>**



1" Thick Sound Barrier Composite

HMQ-SBC3254M1  
Order# 154810

**\$99<sup>99</sup>**

### BOMAR Cast Aluminum Commercial Hatches

Flush, watertight, 4-dog system, opens from the outside only.

15" x 24"

**\$529<sup>99</sup>**

SAVE \$70



Reg 599.99  
BOM-C41524-0  
Order# 104612

24" x 24"

**\$899<sup>99</sup>**

SAVE \$100



Reg 999.99  
BOM-C42424  
Order# 104619

### BOMAR Tread Plate Access Hatch

High quality 5-bar marine grade, anodized aluminum tread plate with 12-gauge 316 stainless steel frames. Wrench sold separately. Search# BOM-54



**FROM \$523<sup>99</sup>**

### Commercial Bumper

Black. Up to 60 ft lengths.

2-1/8" Base Width, 2" High, 7/16" Wall Thickness  
DAM-DB-50 **\$789 FT**  
Order# 107117

3-1/8" Base Width, 2-7/8" High, 11/16" Wall Thickness  
DAM-DB-75 **\$1579 FT**  
Order# 107128

Insert Strips and Molded Corners Available



Strip inserts here. Sold in lengths up to 10'



### Fan Nose Bumper

Black. Up to 60 ft lengths.

2-1/2"W x 3" OD, 5/8" Wall Thickness  
DAM-DB-503 **\$1679 FT**  
Order# 148198


3-3/4"W x 4-1/2" OD, 3/4" Wall Thickness  
DAM-DB-504 **\$2369 FT**  
Order# 147124



# SPECIAL! BEST DEALS ON ROPE!

### 3-Strand Nylon

High-tenacity white nylon multifilament fiber. Four-stage construction produces a torque-balanced rope with medium lay. Meets or exceeds Cordage Institute, US and Canadian Military standards.




600 ft Spools

Size	Order#	Tensile Strength	Ft Price per Reel	600' Reel
3/8"	118628	3700 lbs	0.16	96.99
7/16"	118630	5000 lbs	0.22	129.46
1/2"	118631	6400 lbs	0.29	171.04
5/8"	118632	10400 lbs	0.45	270.65
3/4"	118633	14200 lbs	0.64	385.35
7/8"	118634	17280 lbs	0.88	533.26
1"	118635	25000 lbs	1.10	658.41
1-1/8"	118636	33000 lbs	1.32	789.45
1-1/4"	118637	37500 lbs	1.61	964.60
1-1/2"	118639	53000 lbs	2.29	1374.46

### Polypropylene

General purpose, monofilament fiber, balanced construction, medium lay, good strength, moderate stretch, lightweight and buoyant. Good UV resistance. Yellow.




600 ft Spools

Size	Order#	Tensile Strength	Ft Price per Reel	600' Reel
3/8"	118671	2700 lbs	0.09	51.58
7/16"	118673	3300 lbs	0.12	69.97
1/2"	118675	4200 lbs	0.16	93.18
5/8"	118677	6200 lbs	0.24	141.57
3/4"	118678	8500 lbs	0.34	206.05
7/8"	118680	11500 lbs	0.47	280.00
1"	118681	14000 lbs	0.56	335.88
1-1/4"	118683	21000 lbs	0.86	516.82
1-1/2"	118684	29700 lbs	1.23	735.04

### Poly Plus Rope

High-tenacity polyester with polypropylene core, medium lay, good strength/low stretch, good abrasion resistance, excellent UV resistance. White with orange tracers.



600 ft Spools

Size	Order#	Tensile Strength	Ft Price per Reel	600' Reel
3/8"	118655	3200 lbs	0.14	83.36
7/16"	118656	3900 lbs	0.18	109.09
1/2"	118657	5400 lbs	0.23	138.32
5/8"	118658	7200 lbs	0.36	213.04
3/4"	118659	9800 lbs	0.50	302.31
7/8"	118660	13500 lbs	0.69	416.68
1"	118661	17000 lbs	0.82	490.98
1-1/8"	118662	21000 lbs	1.00	601.78
1-1/4"	118663	25000 lbs	1.24	745.03
1-1/2"	118664	41000 lbs	1.75	1047.02



**HAMILTON MARINE**  
**40th Anniversary**

1977 2017

800-639-2715  
hamiltonmarine.com

**KENT**

**Premium Adult Universal Survival Suit**

High visibility yellow inflatable head pillow, face mask, mitts and ankle adjustments. Removable head pillow. Articulated arms for easier donning. Includes buddy line and whistle.

USCG APPROVED

**\$249<sup>99</sup>**

KNT-1540-AU  
Order# 753274



**IMPERIAL**

**Adult Universal Cold Water Immersion Suit**

Three fingered mitt. Wide legs for easy donning. Includes whistle and storage bag.

USCG APPROVED

**\$259<sup>99</sup>**

RVS-1409A  
Order# 743829



**GME ACCUSat™ EPIRBs**

406 MHz. 6 Year Non-Haz Mat battery, 6 Year warranty. Featuring a stainless steel antenna. USCG/GMDSS Approved.

**6 Year Battery!**

Cat II Manual  
Order# 731676

**\$349<sup>99</sup>**

Cat I Auto  
Order# 731678

**\$469<sup>99</sup>**



**KENT In-Sight Offshore Automatic/Manual Inflatable PFD**  
**Extra Buoyant! Full 35 lbs Buoyancy!**

USCG Approved Type V with Type II Performance. Heavy-duty 420 denier nylon shell. Neoprene comfort collar. SOLAS grade reflective tape. In-Sight window shows armed status.

LIMITED QUANTITIES!

**\$99<sup>99</sup>**

**SAVE \$50**

Reg 149.99

Color Order#  
Orange 752862  
Red 761645



**Knife Sheath**

Hang a knife on your belt or upside down on your foul weather pant suspenders. This keeps a knife within reach which can be very useful when tangled in line. Plastic, assorted colors.

HML-SHEATH **\$9<sup>99</sup>**  
Order# 749724

**Molded Handle Knife**

Knife with cushioned handle. Fits sheath.

HML-KNIFE-M **\$12<sup>99</sup>**  
Order# 172011



**Chinook BadAxe Boots**

13" high. Oil and slip resistant sole. Adjustable nylon snow cuff. Insulating wool felt liner. Rated to -40°F. Sizes 4-15. Waterproof.

Soft Toe Green  
Search# CNK-3500  
**\$49<sup>99</sup> pair**

Steel Toe Black  
Search# CNK-3550  
**\$54<sup>99</sup> pair**



**Atlas 660 PVC SuperFlex 12" Blue Gloves**

Extremely soft and flexible heavyweight PVC. Flexible, durable with a soft cotton lining. Rough coating provides excellent grip. Oil resistant and chemical resistant. Sizes M-2XL.

**\$319 pair**

**\$3349 dozen**

Search# HMG-A660



**GRUNDENS Foul Weather Gear**

**HUGE SELECTION IN STOCK!**

Search# GRD-



**Fish Basket**

Round, orange plastic with holes, approx. 1 bushel capacity.

**\$19<sup>99</sup>**

HML-BASKET-PAS  
Order# 118243



**Oil Absorbent Sheets**

Each sheet 15" x 19" absorbs 13 to 25 times its weight in oil, fuel and other hydrocarbons. Great for engine work, winterization and cleaning spills. Also for waxing and polishing.

Thickness	Weight	Order#	Each	Bale	#Bale
3/16"	Single	123472	0.59	89.99	200
1/4"	Medium	123422	0.79	59.99	100
1/4"	Double	145762	0.89	71.99	100



**Oil Change Pump**

**JABSCO**

a xylem brand  
Reversing bronze pump. Rebuildable. 12 volt. High-temperature resistant Teflon dip-stick probe.

**\$219<sup>99</sup>**

JAB-17800-2000  
Order# 149097



**Halogen Floodlights**

High impact polypropylene with stainless steel fittings. 9900 candle power bulb. Average bulb life is 450 hours. Includes easy fitting mounting bracket. Totally weatherproof.

3" x 5"  
JAB-45900-1000 **\$58<sup>99</sup>**  
Order# 120482

4" x 6"  
JAB-45900-0000 **\$87<sup>99</sup>**  
Order# 120480



**RIGID**

**High Performance LED Lights**

Provides superior light with ultra low power consumption. 316 stainless steel mounting hardware. High purity aluminum housings. Search# RIL-

FROM **\$113<sup>99</sup>**



**Stainless Steel Searchlight**

Handsome, rugged cabin controlled lights, imported from Europe. 7" Diameter, 12 volt, 250,000 Candle Power, 1-1/2" Maximum Deck Thickness.

**\$349<sup>99</sup>**

VET-Z7012  
Order# 135851



**One Mile Beam!**

**FREE HEAT from your engine's closed cooling system!**

Heavy duty non-corrosive glass-filled nylon housings. Flush mount or ducted models. 28,000 to 40,000 BTUs.

**MARINE HEAT** Search# MH-



**Electric Rope Cutting Guns**

100 Watts  
**\$29<sup>99</sup>**

PUR-15463  
Order# 127675

120 Watts  
**\$39<sup>99</sup>**

PUR-15463HD  
Order# 735613



**3/8" Superhaul Sink Pot Warp**

While Supplies Last!

**\$250 LB**

**SAVE!**

Reg 2.99  
HMP-SUPHAUL-12  
Order# 118575



**FISHING • SAFETY • HARDWARE**

PORTLAND ROCKLAND SEARSPORT SOUTHWEST HARBOR JONESPORT

Typographical errors are unintentional and subject to correction.

**Ever Get Bad Fuel?**  
 Get The Fuel Purifier  
 Removes Water & Dirt  
 Bubba Proof • Filter-less Filter  
 SkimOil Inc. (314) 579-9755 For All Engines

**TWIN DISC**  
 Marine Gears, Torque-Converters - ALL  
 Supplier & Rebuilder "Since 1982"  
[www.RMIservices.com](http://www.RMIservices.com)  
 (504) 347-4361

**Ever Get Bad Fuel?**  
 Get The Fuel Purifier  
 Simply Removes  
 Bulk Free Water  
 Heavy Particulates  
 How About Just Cleaner Fuel?  
**FILTERLESS FILTER - BUBBA PROOF**  
 EZ to install and use - sizes for ALL diesel engines  
 SkimOil Inc. (314) 579-9755 - [www.thefuelpurifier.com](http://www.thefuelpurifier.com)

**Oily Bilge Filters**  
 Sizes for all boats  
 Simple Inline Filter  
 Works With Any Pump  
 Overboard oil prevention system  
 1/10 the size and cost of oil water separator  
[www.TheBilgeFilter.com](http://www.TheBilgeFilter.com) - (314) 579-9755

**Check Out Our Classified Ads**  
 Starting on Page 18

**MARINE SANITATION DEVICE**  
**Economy Type II MSD**  
 USCG Approved 4/12/16/32 man sizes Fits anywhere  
 Modular Design compact/low profile In STOCK Now!!  
**Economy Type II MSD Got Poop?**  
 EZ Install & EZ Ops  
**"The Poop Plant"**  
[www.thetankMSD.com](http://www.thetankMSD.com) • Skimoil Inc. (314) 579-9755

**NO DISCHARGE ZONE?**  
 Got Bilge water? No problem!  
 BilgeVAP eliminates your water!  
**ZERO LIQUID DISCHARGE**  
**Bubba Proof**  
 No moving parts Electric / 4-12 GPH  
 SkimOil Inc. Call (314) 579-9755  
 BilgeVAP evaporates your water away  
[www.NoDischargeZone.com](http://www.NoDischargeZone.com)

**Automatic Pot Line Coilers**  
**FREE SHIPPING**  
**The Extra Deckhand®**  
 Hydraulic Line Coilers  
 The patented 40# wonder that's Made in Alaska to be Alaskan Tough  
[WWW.EXTRADECKHAND.COM](http://WWW.EXTRADECKHAND.COM)  
 E.D. Industries LLC - 10006 Crazyhorse Drive  
 Juneau, Alaska 99801  
 Tel./Fax - (907) 789-9164

**Offshore Oil Rigs & Marina WINDSOCKS**  
**FACTORY DIRECT**  
 IN STOCK AND READY FOR IMMEDIATE SHIPMENT  
**AIRPORT WINDSOCK CORPORATION**  
 1-800-579-5135 952-890-9214  
[www.airportwindsocks.com](http://www.airportwindsocks.com)

**FIBERGLASS SUPPLIES**  
 Epoxy, Vinylester, Polyester  
 Gelcoats, Barrier Coats  
 FG Laminate Angle & Panels  
 Carbon Fiber, Kevlar  
 Fairing & Bonding Compounds  
 Marine Plywood, Core & More!  
**DURATEC** **Divinycell H**  
 The High Performance Core  
**CARBON CORE**  
 HONEYCOMB CORE  
 Technical Assistance  
 800-231-6537  
[www.lbifiberglass.com](http://www.lbifiberglass.com)  
**LBI**

**Serving Both Coasts Of The United States And The Gulf Of Mexico**  
  
 Vessels Built Over 70 Years Of Fabrication Include: Double Hull Tank Barges, Hydraulic Dump Scows, Deck Cargo Barges, ATB Barges, Ro-Ro Barges And Many Custom Vessels.  
**GUNDERSON MARINE**  
 A GREENBRIER COMPANY  
 Call Chuck Garman At Gunderson Marine (800) 253-4350  
 Call Chris Cole At Our Gulf Coast Office (504) 722-3526  
 4350 NW Front Avenue, Portland, Oregon 97210

**FOR SALE OR RENT**  
  
**Army Bridge Boats**  
 27' x 8' Twin Diesel GM 353,  
 3-1 Trans, 25 x 19 Prop.  
 For Location & Price  
**(916) 539-8199** or  
[osmsinc@gmail.com](mailto:osmsinc@gmail.com)  
 Trailers May Be Available Separate

**COMMERCIAL ALUMINUM JETBOATS**  
**SMOKY MOUNTAIN JETBOATS**  
 12 passenger COI - PARTIALLY PROTECTED  
 25 passenger COI - LIMITED COASTWISE  
[smokymountainjetboats.com](http://smokymountainjetboats.com)  
 1828 488 0522 - 1888 900 9091



**NYS MARINE HIGHWAY TRANSPORTATION CO., LLC**  
[WWW.NYSMARINEHIGHWAY.COM](http://WWW.NYSMARINEHIGHWAY.COM)  
**SHIP BY CANAL**  
  
 FABRICATED PRODUCTS DREDGES, DEAD SHIPS & CONTRACTORS EQUIPMENT PROJECT CARGO  
**WE CAN TOW YOUR EQUIPMENT BETWEEN THE EAST COAST & GREAT LAKES VIA THE NYS CANAL SYSTEM**  
**QUOTES ROB (518) 365-3305 [rob@nysmarinehighway.com](mailto:rob@nysmarinehighway.com)**

**Commercial-Duty Walker AIRSEPS®**  


**The NEW Standard for Diesel Breathing Systems Used in Today's Workboats.**  
**Fleet Supply Warehouse, Inc.**  
 205 Venture Blvd., Houma, LA 70360  
 Tel: 985.868.0430 Fax: 985.868.0436  
 Your Louisiana Headquarters for Walker Air Filters and New CCE Replacement Elements.  
  
**AIRSEP**  
 Walker Engineering  
[www.walkerairsep.com](http://www.walkerairsep.com)

**Marine Grade • Commercial Duty LED Lighting Fixtures**  
 GREEN GENERATION LEADING EDGE TECHNOLOGY  
  
**LED FLOODLIGHTS**  
 Low Maintenance and Low Power Consumption. Up to 90% less power when compared to Halogen Lights. Low Operating Temperature and Vibration and Shock Resistant Design. Marine Grade 316 Stainless Steel Hardware and Bracket. Water Resistant IP 67 Rating. UL/CE and SAA Compliant. 2 Year Limited Warranty. Available from 10Watt up to 400Watt. 100 to 130 Lumen per Watt Light Output. AC & DC Versions Available.  
**NEW DHR LED Navigation Lights**  
 SAFETY FIRST IN ALL WEATHER CONDITIONS  
  
 40 SERIES 60 SERIES 80 SERIES  
 USCG Approved Certified to 72 COLREGS  
 The Only LED Navigation Lights Completely User Serviceable  
**OCEANUS – LED MARINE UTILITY LIGHT**  
 Designed to replace fluorescent light fixtures. Low power consumption, minimal maintenance. 3900K natural white light color is used to achieve the best CRI. Dual Color version, white and red, for night time illumination. The light can be surface or flush mounted. Available in 85vac-265vac or 10-30vdc.  
  
**E-LED LIGHTING Inc.**  
 PHONE: (561) 845-7460, FAX: (561) 214-4928  
[info@E-LEDLighting.com](mailto:info@E-LEDLighting.com), [www.E-LEDLighting.com](http://www.E-LEDLighting.com)