

# BOATS & HARBORS®

**SECOND FEBRUARY ISSUE 2017 VOLUME 59 NO. 28**  
**Covering The East Coast, Gulf Coast, West Coast & Inland Waterways**



[www.boats-and-harbors.com](http://www.boats-and-harbors.com)

PH: (931) 484-6100 • FAX: (931) 456-2337 • Email: [gdonnelly@boats-and-harbors.com](mailto:gdonnelly@boats-and-harbors.com) • "The" Marine Marketplace



\$4.00

*Congratulations*

**to American Commercial Barge Line  
on the Christening of the**

## **M/V JEFF KINDL**



3,000 HP, 3512C Engines  
w/ Twin Disc MGX5600 Gears,  
99 KW John Deere Generators,  
Sound "Dominator" Propellers,  
Rice "Flap" Rudders,  
Patterson 40T Winches, Capstan,  
Omega Stainless Steel  
Doors & Showers.

**Working Closely With  
American Commercial Barge Line,  
Steiner Construction Company, Inc.  
has also delivered 12,  
State of the Art, Z-Drive vessels  
in the past 3 years.**

**Proudly Built By:  
Steiner Construction Company, Inc**



**Bubba Steiner, Owner**

P. O. Box 609 - 8690 Hemley Street, Bayou La Batre, AL 36509

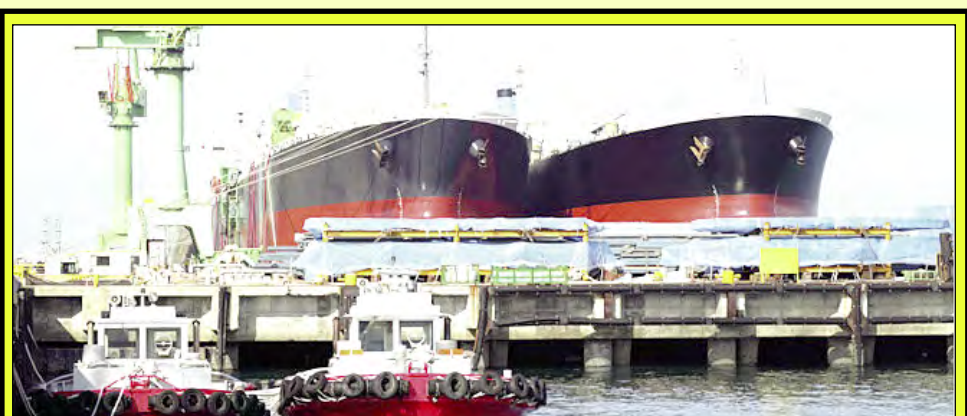
251-824-2320 • [www.steinermarine.com](http://www.steinermarine.com) • [steinermarine@yahoo.com](mailto:steinermarine@yahoo.com)



Contents of this publication either in whole or in part may not be reproduced without the express permission of the publisher.  
Copyright © 2017 Donnelly Advertising & Publishing.



BOATS & HARBORS Is Published 3 Times Each Month and Each Issue Goes by Direct Mail and Internet to Thousands of Individual Boat Owners, Builders and Operators, Tug, Pushboat and Barge Owners and Builders, Boat Yards, Commercial Fishermen, Packers and Processors, Divers and Diving Companies, Docks, Dredgers, Exporters, Ferryman, Freighters, Harbor Personnel, Longshoremen, Marinas, Steamship Companies, Marine Contractors, Off-Shore and Inland Oil Exploration Firms, Pile Drivers, Marine Salvage Firms, Ship Yards, Terminals, Towing Companies, Marine Warehouses, Government Agencies & other Related Businesses in the U. S. Possessions, Canada, Mexico & most other Foreign Countries. Boats and Harbors Is Published in Crossville TN 38557.



### **Buying or Selling?**

**BOATS AND HARBORS Is The Most Economical & Fastest Way To Reach The Commercial Marine Market!**

**Talk About A Search Engine!!!**

Try Boats And Harbors With Both Online and Print Editions

Let The "Yellow Sheet" Optimize  
Traffic To Your Website!  
Advertise Today!

View Boats and Harbors Online at:  
[www.boats-and-harbors.com](http://www.boats-and-harbors.com)

### WATER COOLED EXHAUST MANIFOLDS

For 3-71, 4-71, & 6-71 Detroit Diesel



DD-1-6710

- 3-71 & 6V71.....\$225.00
- 4-71 & 8V71.....\$250.00
- 6-71 & 12V71.....\$325.00
- 4" NPT EXHAUST END PLATE.....\$40.00
- Water Cover Plate (Specify Pipe Size).....\$9.00

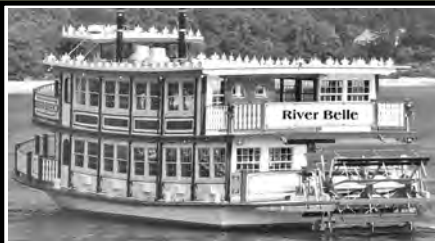


**BARR MARINE BY EDM**  
 100 Douglas Way, P.O. Box 190  
 Natural Bridge Station, VA 24579  
 Toll Free (866) 255-9265 Fax (540) 291-4185



#### 1971 Freeport

60' x 20'. 2" mahogany, anchor monel fastened. 2x 671, 2 gens, full electronics. 76 passenger, COI to 2021. New fuel tanks 2014. Very stable and economical.  
**\$65,000 OBO • (631) 668-2818**



65' Mississippi Like River Boat - 78' Overall, Incl. Stern Paddle. USCG Lic. For 150 + 10 Crew. Full Electronics, USCG Insp. Both Decks Heat & A/C. 2 - 671 GM Diesels. 2-371 - 50 KW GM Gens @ 1200 RPM. Brielle, NJ.  
**\$450,000 • (732) 245-1592**

#### Marine Travelift - 15 AMO (15 Ton Capacity)



1984, 13' 8" ICW (Extra Width Available), 18" ICH, Hydraulic Jib Crane, Rebuilt Trunnion Pin, Hydraulic Cylinders, Steering Pins/Bushings, Great Cond., Ready To Work. Available Immediately. \$29,500 OBO

**Kendrick Equipment**  
 dave@kendrickequipment.com  
 (866) 744-9921

### 2003 Daewoo Marsh Buggy



50' Reach, 5,000 Hours.  
 Plumb w/ 3rd Valve.  
**\$140,000.00**  
 Call Larry  
 (985) 856-5156

## LIFETIME CUSTOM ALUMINUM BOATS



21' LANDING CRAFT - IN STOCK WORK BOAT 20', 24' - IN STOCK



DECK BARGE 24' HYDRAULIC CRANE 24' WORK BARGE - IN STOCK



LANDING CRAFT 30' - IN STOCK PILOTHOUSE 40'

~ Stock Workboats Available ~  
 Workboats and Landing Craft in Stock

## LIFETIME BOATS, INC.

14104 Hwy 84, Jonesville, LA 71343

Phone (318) 339-4007

[bodie@lifetymeboats.com](mailto:bodie@lifetymeboats.com)

[www.lifetymeboats.com](http://www.lifetymeboats.com)



### UNDERWATER LIFT BAGS ENGINEERED FROM THE BOTTOM UP!

- OPEN BOTTOM AND ENCLOSED LIFT BAGS FROM 100 LBS TO 50 TONS
- CABLE AND PIPELINE FLOATS
- WATER LOAD TEST BAGS
- LIFE BOAT TEST DAVIT TEST KITS
- PIPE PLUGGERS - INFLATABLE PIPE STOPPERS
- INFLAT-A-TANK - LIQUID STORAGE BLADDERS
- FEND-AIR™ - INFLATABLE MARINE FENDERS
- RENTALS AVAILABLE

• MADE IN USA • ALL MAJOR CREDIT CARDS ACCEPTED • IMCA COMPLIANT

P.O. Box 2030 • North Kingstown, Rhode Island 02852 USA  
 Phone: (401) 884-8801 • Toll Free: (800) 466-6962 • Fax: (401) 884-8868  
 Website: [www.SUBSALVE.com](http://www.SUBSALVE.com) • E-mail: [Richard@Subsalve.com](mailto:Richard@Subsalve.com)

### Two Outstanding Landing Crafts For Sale



76 x 22.5 Landing Craft. Over 500k spent in refurbished and extensively modified in 2010, including new Tier 2 John Deere 6125 engines and Twin Disc gears, 20kw and 40kw gen sets, 12T RO Stinger crane w/ 60' boom, widened 22 x 56 cargo area, galley/accommodations, full electronics, stern anchor winch, and lots more. Legal to haul freight for hire. Just Completed Drydocking Including Complete blast / Paint, New Gate, New Main Deck, Much More!.....**Reduced to \$650,000**

76 x 22.5 Aluminum Coast Guard certified Landing Craft. Refurbished and extensively modified in 2003 including Twin Detroit Series 60 engines. (2) 30kw gen sets, 10T crane w/ 60' boom, galley/accommodations, full electronics, stern anchor winch, and lots more.....**Reduced to \$670,000**

**619-533-7932 • Located West Coast • Delivery Available**  
 "Special delivery price on freighter to Florida or Bahamas - \$75k, loaded late Sept, delivery mid Oct. (This is about 1/2 the normal rate)"  
[grant@pacifictugboats.com](mailto:grant@pacifictugboats.com)

## FOR SALE M/V HORIZON'S EDGE



### MOTIVATED SELLER

• Price Reduced •

Length: 161.3' (registered) - LOA: 186'  
 Year Built: 2000

For more information visit  
[www.horizonsedgeboston.com](http://www.horizonsedgeboston.com) or contact  
 Owner's attorney David S. Smith at 978-744-8918

### Oceanographic Research Vessel Candidate for Expedition Yacht Conversion For Sale Direct From Owners-Reduced Price



File: RV23142: 231' x 42' x 20'. Built 1967. Rebuilt: 2002. U.S. flag. ABS + A1 AMS, ACC, USCG Sub "U", "I", COI, SOLAS. Dwt: 1,800T. FO: 105,000g. FW: 16,000g. 15T & 5T cranes. 10T A-frame. M/Es: 2 x EMD total 2,400HP o'hauled 2002. Speed 12.5-14kn. Range 10,925nm / 45 days. Bow thruster. Gensets: 2- 300kW; 1-75kW. Quarters for 48 in 7 single & 20 double cabins + berths for up to 11 crew. AirCon. Hospital, lounges, wet lab, conference & data process rooms. Mess seats 34. 2 watermakers. Commercial grade incinerator & laundry room. Anti-roll system. Full Com / Nav aids. Excellent working condition. All certs valid. Complete refit to new standards '03. New interior, wiring, piping, electronics. Drydocked 2013 with fresh 5 year certs. Inspection / Delivery U.S. Northwest Prompt.

Marcon International, Inc.

Tel: 360-678-8880 e-mail: [info@marcon.com](mailto:info@marcon.com) Fax: 360-678-8890

[www.marcon.com](http://www.marcon.com)

**BUY SELL RENT**  
**CLAMSHELL BUCKETS  
 HOISTS & WINCHES  
 PILE DRIVING  
 EQUIPMENT**




**GREG DUNN**  
 (724) 228-5560  
 FAX (724) 228-8776  
 www.neequipdist.com

400 Country Club Road  
 P.O. Box 358  
 Meadow Lands, PA 15347-0358



**1999 Cape Island Novi Cruiser**  
 32' L x 12' W. Fiberglass, 4.8 depth, 4 blade prop, repowered '09 Cummins 6BTA, 292 hours, hydraulic steering, inverter, auto pilot, depth meter, fish finder, Honda generator, rooftop AC, enclosed head, galley, 4 bunks.  
**Price \$45,000.00**  
**Call Mark (910) 520-5298**



**THRILL SEEKER**  
**33' Searocket**  
 Current COI 14 pax, good until 2021. Twin 6 cyl Yanmar Turbos. 3 axle trailer.  
**Motivated Seller**  
**Survey Value \$114,000.00**  
**Asking \$107,000.00**  
 (361) 229-0032 • svcaribbean@soul@yahoo.com

**GOOD STEEL BOATS**



**Made For Work  
 Self-Bailing Assist  
 Utility & Bridge Construction Boats**  
 www.AMERICANWORKBOAT.com  
 (508) 264-6863

# CASHMAN EQUIPMENT CORP.



**Available For Charter  
 In the New York Area**  
**120' x 30' Deck Barges  
 \$100 Per Day**  
**No Minimum Charter Term**

**For More Information Contact Derek Disch at  
 ddisch@4barges.com or 781-506-6000**



**View our Complete List of  
 Equipment For Sale or Lease**  
[www.4barges.com](http://www.4barges.com)

**Offices and Fleets Located Worldwide**  
 USA • Mexico • South America • Canada • Europe  
 Middle East • Africa • Asia Pacific/Singapore  
**1-888-4BARGES • info@4barges.com**

**A & D SHIPYARD  
 BROOKLYN NY  
 718-404-4285 (HAUL)**



**7  
1  
8  
4  
0  
4**  
 Brooklyn's  
 First  
 120 Ton Lift  
 Servicing  
 Your Complete  
 Shipyard Needs

**H  
A  
U  
L**  
 Hauling  
 Painting  
 Welding  
 Shaft & Prop Work  
 50 Years of Experience

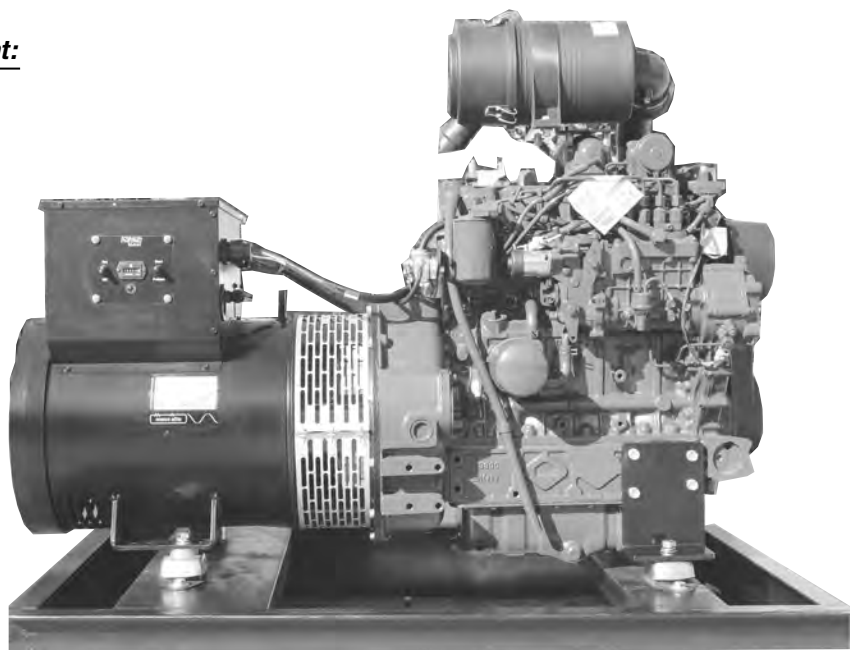


**OIL PADS**  
**Only \$19.95 Per Bale**  
**Five Stocking Locations**  
 We Have The Best Prices On  
 Oil Absorbents, Booms, Pads  
 and Socks.  
**800-9-BUYNET**  
[www.buyingnetwork.com](http://www.buyingnetwork.com)

# Kubota

**1800 RPM Standard Equipment:**

- Kubota Diesel Engine
- 12 Volt Electric Starter
- 12 Volt Battery Charging Alternator
- Automatic Engine Shutdown for Low Oil Pressure / High Coolant Temperature
- Fuel Filter
- Built in Fuel Transfer Pump
- Dry Air Cleaner
- Heavy Duty Steel Frame with Isolation Mounts
- High Ambient Radiator Cooling
- Stamford / Newage Industrial Generator
- Brushless Exciter
- Unit Mounted Solid State Voltage Regulator
- Ship-loose Muffler with Raincap
- Toggle Switch Start
- Engine Hour Meter
- 3 Year Kubota Engine Warranty
- EPA Tier 4i Compliant



**KK4-50.0 kW**

**Optional Equipment:**

- Sound / Weather Enclosures
- Auto Start / Stop
- ATS
- Fuel Tanks
- Block Heater
- Critical Silencers
- Gauge Panels
- RACOR Filters
- Circuit Breakers

## KEEL COOLED MODELS

MODEL	PRICE	MODEL	PRICE
<b>DRY EXHAUST MANIFOLD</b>			
KK3-7.0KW	\$ 5,891	KK4-21.0KW	\$ 9,634
KK3-8.5KW	6,321	KK4-25.0KW	9,955
KK3-9.5KW	6,542	KK4-30.0KW	10,406
KK4-12.5KW	7,245	KK4-40.0KW	14,506
KK4-15.0KW	8,306	KK4-50.0KW	15,708
KK4-17.5KW	8,511	JD4-60.0KW	17,627

Southeastern Power Products is the **Authorized KUBOTA Industrial Engine America Distributor** for the State of Florida, Bahamas and the Caribbean.

**Supplying Genuine KUBOTA Parts and factory Remanufactured components.**

**WE SHIP GENERATORS WORLDWIDE**

**INDUSTRIAL GENERATOR SPECIALS**

Model	KW Rating	Net Price
SEP 7.0I	7.0 KW	6,285
SEP 8.5I	8.5 KW	6,631
SEP 9.5I	9.5 KW	6,925
SEP 12.5I	12.5 KW	7,686
SEP 15.0I	15.0 KW	8,474
SEP 17.5I	17.5 KW	8,973
SEP 21.0I	21.0 KW	9,755
SEP 25.0I	25.0 KW	10,353
SEP 30.0I	30.0 KW	10,983
SEP 40.0I	40.0 KW	12,579
SEP 50.0I	50.0 KW	13,934



**GL7000 - USA \$4,600**  
**GL11000 - USA \$5,800**



**COMPONENTS AVAILABLE**

**SOUTHEASTERN  
 POWER PRODUCTS**

2880 Hammondville Road, Pompano Beach, FL 33069  
 Phone: (954) 979-5899 • Fax: (954) 979-4349  
 900 Industrial Park Rd #10, Deep River, CT  
 Phone: (860) 526-9773 • Fax: (860) 526-2090

come visit our website  
[www.southeasternpower.com](http://www.southeasternpower.com)



**Quality Custom Built Aluminum Workboats & Pleasure Craft**  
 Located In Harvey, Louisiana Just South Of New Orleans.



27' Harbor Patrol Vessel



75' Quick Response Fire Fighting Vessel



35' Collar Style Supply Vessel



38' In Shore Supply Vessel



30' Aluminum Supply Vessel



30' Collar Style Supply Vessel

**Aluminum Never Looked So Good!**

We Also Offer A Variety Of Services Including:

- Repairs
- Conversions
- Sandblasting & Painting
- Aluminum & Steel Fabrication
- Dockside Service Including A 65 Ton Crane
- Experience With State & Local Government

**Let Us Build A Boat For You!**

Contact Darren or Chad at (504) 347-7898

Visit us on the web at [WWW.ALUMAMARINE.COM](http://WWW.ALUMAMARINE.COM). For further info, contact us by email at [chad@alumamarine.com](mailto:chad@alumamarine.com) or [darren@alumamarine.com](mailto:darren@alumamarine.com)

**BAIER**



Hatch Company, Inc.

**THE STRONGEST HATCH TO EVER HIT THE DECK!**



**ROUNDS**



**OVALS**



**MULTI-BOLT MANHOLES**



**SQUARES**

Hatches Available in Cast Aluminum & Cast Steel

**TO ORDER**

**800 - 455 - 3917**

Seattle, WA • Costa Mesa, CA  
[www.baiermarine.com](http://www.baiermarine.com)

**www.YachtSalvage.com**



**48' Jefferson 1986**  
 (Insurance Salvage)  
 YS160280



**43' Azimut 2008**  
 (Insurance Salvage)  
 YS160301



**38' Morgan 1998**  
 (Insurance Salvage)  
 YS160293



**36' Shannon 1990**  
 (Insurance Salvage)  
 YS160259



**43' Hatteras 1983**  
 (Insurance Salvage)  
 YS160294



**40' J Boats 1995**  
 (Insurance Salvage)  
 YS160297

**Hundreds Of Boats For Sale**

For More Information Please Call One Of Our Offices  
 Warwick, RI (401) 732-6300 • Charleston, SC (843) 789-0357  
 Mendon, MA (508) 478-0200 • St. George, SC (843) 563-9199

**TRUCKABLE BARGES**

**45' x 11.5' x 5'**

2' Frame Spacing, with 3" x 5" x 5/16" Angle  
 2 Interior Bulkheads, 3 Compartments, Each with 18" SS Hatch

Blasted/Painted Inside & Out, 20# Zincs  
 Pinnable, Stern to Stern or Side by Side (3" x 6" Angle)

Spud Wells, 10" SS , 1/4" Plating



**Steiner Construction Company, Inc.**

P.O. Box 609 • 8690 Hemley Street  
 Bayou La Batre, AL 36509  
 (251) 824-2320  
[steinermarine.com](http://steinermarine.com)  
[steinermarine@yahoo.com](mailto:steinermarine@yahoo.com)



# MIDSHIP MARINE INC.

## MIDSHIP MARINE

OUR QUALITY SAYS IT ALL!  
WHEN IT COMES TO BUILDING ALUMINUM BOATS  
WE HAVE NO LIMITATIONS

• Passenger Vessels • Crew Boats • Pilot Boats • Patrol Boats • Dive Boats • Water Taxis • Fishing Boats



210' x 32' HIGH SPEED CREWBOAT



95' OIL SPILL FRV



65' SAILING CAT - 120 PASS



42' CREWBOAT



97' EXCURSION VESSEL



70' x 21' PASSENGER FERRY



90' CATAMARANS - 250 PASS



55' PASSENGER HEADBOAT - 49 PASS



55' SEMI SUB - 49 PASS



58' ALUMINUM VESSEL

MIDSHIP MARINE ALSO SPECIALIZES IN CONVERSIONS OF CREW BOATS INTO: DIVE VESSELS, CHARTER YACHTS, PASSENGER FERRIES, ETC. W/LOW PRICING & HIGH QUALITY. LET US DESIGN & QUOTE YOUR NEXT VESSEL.

MIDSHIP MARINE will quote on building any vessel to meet your specific needs. All work is done at our yard in Harvey.

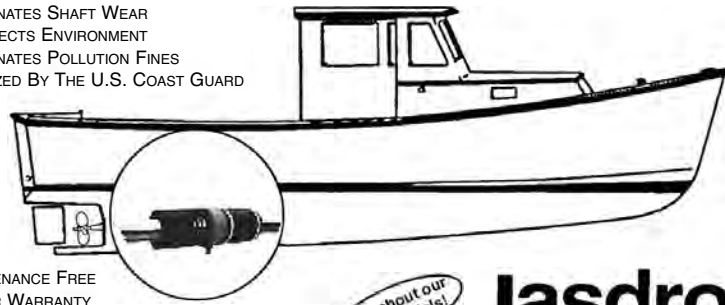
CONTACT MIKE or RANDY - PHONE (504) 341-4359 • FAX (504)-340-8997

Email: Midboats@aol.com • Website: www.MidshipMarine.net

MAILING ADDRESS: P.O. BOX 125, HARVEY, LOUISIANA 70059

- RATED "BEST" BY POWERBOAT REPORTS
- REPLACES STUFFING BOX
- DRIPLESS
- ELIMINATES SHAFT WEAR
- PROTECTS ENVIRONMENT
- ELIMINATES POLLUTION FINES
- UTILIZED BY THE U.S. COAST GUARD

The most advanced.  
The most reliable.



- MAINTENANCE FREE
- 3 YEAR WARRANTY
- SINCE 1975
- METRIC AND CUSTOM SIZES AVAILABLE
- FROM 3/4" TO 8" SHAFT SIZES
- MADE IN USA
- 3 MODELS TO CHOOSE FROM
- COMPLETE LINE OF RUDDER SEALS
- PRICES STARTING AT \$95

Ask about our fall specials!

**Lasdrop**  
SHAFT-SEAL

nautical 11x 1-800-940-SEAL

3615 Dove St., Port Huron, Michigan 48060 USA

Phone: 810.388-9718 • Fax: 810.388-9753

Visit Us Online At: lasdrop.com

TO REDUCE, RECOVER  
AND SAVE ON  
ELECTRICITY COSTS,  
JUST CALL LEAH.



Leah, the Hialeah Meter Maid



120/208V meters also available

Remanufactured meters with everything you need to install on existing power box or pedestal\* now only **\$37.99**

- Meter (Single Phase) with 2 Year Guarantee
- New Nipple
- New Meter Socket
- New Mounting Hub
- New Sealing Ring
- Security Seal

\*We have power boxes and pedestals should you need them as well.

**HIALEAH METER**

Meters you can believe in since 1954.

www.hialeahmeter.com • 800-654-0821 • 800-521-9925

## MARINE EQUIPMENT FOR SALE

### 120' x 24' x 10' Aluminum Crew Boat

Main Engines: (4) Detroit 12V71 TI  
Passengers: 50 • Speed: 20 Knots  
CB# 355 • Asking Price: \$575,000



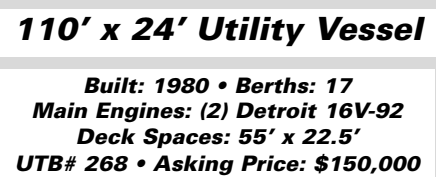
### 180' x 38' x 14' Offshore Supply Vessel

\*Great Condition\*  
Main Engines: CAT 398  
Bow Thruster • OSV# 222  
Asking Price: \$450,000



### 105' x 28' x 5' Steel Barge Living Quarters

Sleeps 15+ 6 Bedrooms • 6 Baths  
\*Great Condition\*  
HB# 250 • Asking Price \$385,000



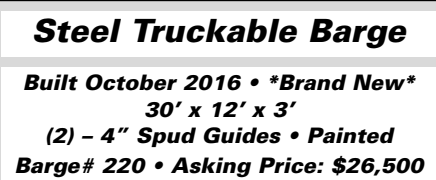
### 110' x 24' Utility Vessel

Built: 1980 • Berths: 17  
Main Engines: (2) Detroit 16V-92  
Deck Spaces: 55' x 22.5'  
UTB# 268 • Asking Price: \$150,000



### 60' x 21' x 5.4' Steel Hull Pushboat

Max Draft: 4.5' • Horsepower: 600  
Main Engines: (2) - Detroit 8V71  
PB# 209 • Asking Price: \$85,000



### Steel Truckable Barge

Built October 2016 • \*Brand New\*  
30' x 12' x 3'  
(2) - 4" Spud Guides • Painted  
Barge# 220 • Asking Price: \$26,500

JACKSONVILLE  
MARINE CENTER

WE ARE A PREMIER FULL  
SERVICE MARINE CENTER

Storage / Dockage / Repairs  
Available

### Why Choose Us:

- Quality Workmanship • Over 30 Years Experience • U.S. Ship Builder
- Certified ABS, USCG • Accessible to East Coast • Close to Jacksonville International Airport
- 15 Miles From Intracoastal Waterway

### DECK BARGE SALE / LEASE



2016, 150 x 60 x 8, 9,000 sq. Ft. Deck, 3200 PSF Uniform Dry Load.

**\$1.25 Million USD**

### 2017 TRUCKABLE TUG SALE / LEASE



25' 10" x 13' 6", 2 Cummins 6.7L 305 HP Ea., 2 Twin Disc Gears 3:1 Ratio, 8' Push Knee, 400 Gal. Fuel Capacity, up to 17' Height of Eye, Electronics, Deck Winch Cables, 34" x 19" Props. SALE / LEASE

**\$298,000 USD**

### SMALL PASSENGER GENERAL CARGO VESSEL FOR SALE



1997 MV, Built USA, LOA: 42m x 8m x 2m, Gear: Crane 1/40 TS, Pass. Seats 50, TEU: 2, Crane & Starboard CAT Engine Recently Rebuilt. GT: 393/NT161.

Please Call For More Info & Pricing

### USED 2016 TRUCKABLE TUG



From \$245,000  
Lease or Trade-In Available



Drydocking & Repairs

We service local and international customers!

For info. on sales, new builds or repairs please call 904-559-1020  
1901 Hill Street, Jacksonville, FL 32202

LEE FELTERMAN AND ASSOCIATES, LLC

Ph: (985) 397-2848 • Website: www.leefelتمان.com

**Opdyke Inc.** [Sales@Opdyke.com](mailto:Sales@Opdyke.com)  
 3123 Northview Pike, Hatfield, PA. 19440  
 DESDEMEXICO: 001-215-721-4446  
**866-204-2545**

**Specialized trucks & equipment sales**

**www.Trucks123.com**

**100+ specialized trucks in stock!**

**20 TANDEM KNUCKLEBOOM TRUCKS IN STOCK!! \$34K-\$100K**



**UNMOUNTED KNUCKLEBOOMS**



**20+ Used \$9,900 & up**


**HIAB • PALFINGER • EFFER • PASSI • ETC.**



**1998 MACK RD6886; E7-350 6 CYL (350 HP); FULLER 8LL; A/C. NATIONAL 900 CRANE; 23 TON; 148' HOOK HT; 20'6" STEEL FLATBED.**

**10+ FUEL TRUCKS IN STOCK!**

**BROKERS WANTED**  
 we pay competitive commissions on sales!



**1975 Lydia.** 65' Glass over diagonal plank mahogany hull. All West system. All Awlgrip paint. All dual electronics. Extensive rewiring completed. Engines blue printed 2013.  
**This is turnkey at \$270,000.00**  
 Call Jim at (732) 773-4905 for details, too much information to list here.  
 Boat is currently working every day.



**40,000 PSI Pressure Washer**  
 NLB Corp, Ultra-Clean 40. 691 hours. Dual-gun capability. All maintenance meticulously performed/documented.  
**\$135,000**  
**Contact Zak: (907) 747-8100**

**START PLANNING NOW**



**65' Lydia Complete Repower 2014**  
 Twin John Deere 6135 Engines Still Under Warranty & Twin Disc gears. **Available Fall 2017 \$415k**, Call Dave 732-996-2579 or email for comp. description. Captriback@gmail.com

**119' Navy Landing Craft**



\$700K + In Recent Upgrades.  
 200T Cargo Capacity. Excellent Condition.  
 Very Shallow Draft - 3'9", Freshwater Docked, Fresh Rebuilds, Electronics.  
**Location - US Gulf • \$900K**  
**(228) 918-6090**  
[gulfstreamcorp.com](http://gulfstreamcorp.com)

**Capstan**



21" diameter, anchor / deck winch, 440 v., New never installed government surplus. Acquisition cost to military \$441,000.  
**For sale \$150,000 USD**  
 Other winches available.  
**Contact: Fred**  
**(206) 465-7981**  
[tridentllc@me.com](mailto:tridentllc@me.com)  
[www.tridentllc.net](http://www.tridentllc.net)

**For Sale By Owner**



Outta Line 38' Hatteras Convertible 430 Reman 6 CTA Cummins, Phasor 9.5 KW Generator, Lee Outriggers, Ready to fish. Reef and Pelagic permits, Gulf of Mexico. Tackle included.  
**\$150,000 • (850) 685-0075**

**65' SKIPPERLINER**



Current Coast Guard Certified for 36 Guests, Multi Deck w/ 6 BT Cummins Engines and 22KW Kubota Generator.  
**Call Mikel A. (305) 992-6838**  
 for full details and full spec sheet or  
**E Mail: bayescape@aol.com**




**USCG Certified • 370 PASS • 3 Miles Off Shore • Partially Protected Waters**  
 Huge luxurious salon and bar; 5 king staterooms with full heads, showers; KVH Satellite TV; State of the art galley; 3 Southbend conv. ovens, Jackson dishwasher, walk-in cooler, full laundry; Walk-in engine room and maint. shop; Can seat 370 for dinner. Enclosed party deck with full bar, 800 lb. ice maker; Deluxe pilot house w/full electronics, satellite navigations, auto pilot, radar, wing stations; Partially covered Sky lounge has full bar; State-of-the-art security system; 2-375 Hp John Deere State-of-the-art electronic engines and ZF trans.; 2-99 kw electronic John Deere gens; 155 Hp bow thruster, bulbous bow, bilge keels; All keel cooled, 11 zone heat and air; 5 floor hyd. elevator; Hyd. spuds; Sewage treatment; 130' x 36' x 6' draft; 11 mph; under 100 gross ton; 17,000 sq. ft. deck; *Amenities that Feadship, Christensen, Delta & Trinity don't include at a fraction of their cost.*  
**Low maintenance!** Call Captain Winston Knauss • **305-947-6868**  
 St. Petersburg, FL • **\$3,200,000** • *That's just \$188 a S.F. deck area!*  
[www.sirwinstonluxuryyacht.com](http://www.sirwinstonluxuryyacht.com)    [www.winstonknaussmarine.com](http://www.winstonknaussmarine.com)

**(3) EA. 55' Derektor Ex-USCG Workboats**



















All three boats are a matched set and are in good operational condition. Surveys Available.  
 For more information please contact Mike Majewski 850-221-5138 or majewski4@bellsouth.net • For photos please go to [www.kclmsales.com](http://www.kclmsales.com)



**FMMAFCO**  
*The Powerful Solutions People!*

TOLL-FREE **866.883.7221** | WORLD-WIDE **513.202.8901**  
[bhsales@fmmafco.com](mailto:bhsales@fmmafco.com) | [www.fmmafco.com](http://www.fmmafco.com)

 <p><b>Timberland</b>          60-1-10E   Single drum          6,000 lb SLP</p>	 <p><b>Timberland</b>          HR280   Three drum          28,000 lb SLP</p>	 <p><b>Manitowoc</b>          390E   Three drum          76,000 lb SLP</p>	 <p><b>Clyde</b>          Frame 7   Three drum          41,500 lb SLP</p>		
<p><b>New Blocks</b>          100 ton   HB1114   1-1/4" groove          150 ton   FRB528.28.5.137.E   1-1/8" groove          35 ton   FRB528.1.32.EB   1-1/8" groove</p> <p><b>Refurbished Blocks</b>          225 ton   HB1104   1-1/8" groove          140 ton   HB1094   1" groove          75 ton   HB1117   1-1/8" groove          75 ton   HB1118   1-1/8" groove</p>	<p><b>Rebuilt Blocks</b>          45 ton   HB0776   3/4" groove</p> <p><b>Used Blocks</b>          300 ton   HB0731   1-1/8" groove          225 ton   HB1106   1-1/8" groove          175 ton   603   1-1/4" groove          165 ton   HB1107   1-1/8" groove          150 ton   HB1112   1-1/4" groove          140 ton   HB1108   1-1/8" groove</p>	<p><b>Used Blocks</b>          100 ton   EM1000N30H   1" groove          80 ton   HB1105   7/8" groove          75 ton   HB1115   1-1/8" groove          65 ton   HB0959   1" groove          65 ton   HB0991   1" groove          65 ton   HB0955   1-1/4" groove          65 ton   HB0965   1-3/8" groove          65 ton   HB0961   7/8" groove          63 ton   HB1103   1" groove</p>	<p><b>Used Blocks</b>          60 ton   HB1096   1-1/8" groove          50 ton   HB1077   1" groove          50 ton   HB1110   1-1/4" groove          40 ton   HB40   7/8" groove          25 ton   HB0860   7/8" groove          20 ton   HB1090   7/8" groove          20 ton   HB1090   7/8" groove          15 ton   HB1022   3/4" groove          15 ton   HB1022   7/8" groove</p>		
 <p><b>American</b>          180   Double drum          36,000 lb SLP</p>	 <p><b>Skagit</b>          RB80   Three drum          114,000 lb SLP</p>	 <p><b>Skagit</b>          BU140   Double drum          203,000 lb SLP</p>	 <p><b>Clyde</b>          Frame 6   Double drum          36,000 lb SLP</p>	 <p><b>Amcon</b>          270   Double drum          65,000 lb SLP</p>	 <p><b>American</b>          280   Double drum          54,000 lb SLP</p>
 <p><b>Clyde</b>          Frame 5   Three drum          21,500 lb SLP</p>	 <p><b>Timberland</b>          SW17   Single drum          8,000 lb SLP</p>	 <p><b>American</b>          250A   Three drum          75,000 lb SLP</p>	 <p><b>American</b>          75B   Double drum          15,000 lb SLP</p>	 <p><b>Clyde</b>          Frame 8   Single drum          53,500 lb SLP</p>	 <p><b>Timberland</b>          SW10   Single drum          4,000 lb SLP</p>

# TheGPSStore.com

Automotive ■ Outdoor ■ Marine Electronics

Toll Free 1-800-477-2611 • Check Out Our Weekly Web Specials

## Furuno 1835 4 kW Dome

Furuno 4 kW 1835 Radar  
#FU1835 **\$3595<sup>00</sup>**

Perfect Commercial Fishing Radar! Featuring a 10.4" Color LCD, 36 nm Range with 4 kW power and a 4° vertical beam width. Ships with 24" radar dome.



## Furuno GP39 GPS/WAAS Navigator



Furuno GP39 GPS  
#FUGP39 **\$395<sup>00</sup>**  
Furuno's GP39 GPS features a 12 Channel receiver with integrated SBAS (WASS/EGNOS/MSAS) technology and a 4.2" LCD Color Display. Mark up to 3,000 track points, 10,000 waypoints and 100 routes (each with up to 30 waypoints). The GP39 can also display Loran TD Position Format.

## SPECIAL PURCHASE

### Garmin GPSMAP 547 Chartplotter

#GA01093 **\$369<sup>95</sup>** **Save Over \$300**

- 5.0" Color Display •
- G2 Vision HD Compatible •
- 5,000 Waypoints/100 Routes •
- NMEA 2000 and XM WX Weather Compatible •
- Built-in BlueChart G2 US Coastal and LakeVu HD Mapping •



## FLIR Ocean Scout TK Thermal Camera

FLIR Ocean Scout TK  
#FL43200122200S **\$599<sup>95</sup>** MAP\*

The FLIR Ocean Scout TK features a thermal imaging core in a compact and affordable unit. Rugged and waterproof the TK will show a man in the water at 130 yards when no light is available.



## McMurdo SmartFind S20 AIS MOB Device

McMurdo SmartFind S20 AIS MOB Device  
#MC98001002A **\$199<sup>95</sup>**



**NEW!**

The McMurdo SmartFind S20 AIS MOB Device can manual or automatically activate when fitted to a compatible lifejacket and inflated. The S20 will send your position and Automatic Identification System information to AIS equipped vessels within range in the event of a man overboard situation. Minimum 24 Hour Transmission and LED Flashing Light.

## Standard Horizon HX870 VHF with GPS

Standard Horizon HX870  
#STHX870 **\$209<sup>95</sup>**

**PLUS \$40 MAIL-IN REBATE until 6/30**

Floating Handheld VHF Radio with 6 Watts of Transmit power, a built in 66 Channel WAAS GPS receiver with DSC Calling and Water Activated SOS Light.



## Icom IC-M424G VHF

Icom M424G Fixed Mount VHF Radio  
Black #IC424GB **\$269<sup>95</sup>**  
White #IC424GW **\$269<sup>95</sup>**

Built-In GPS Receiver Class D DSC, 10 Watt PA Function, Active Noise Cancelling and Aqua-Quake draining.



C-Map and Navionics Electronic Charts available at Discount Prices. Call or visit TheGPSStore.com today.

## Your Best Source for Discount Marine Electronics!



Call for our Latest Catalog!

Or check out **TheGPSStore.com** to see our complete selection of marine electronics from all the major manufacturers.



**TheGPSStore.com**

Automotive ■ Outdoor ■ Marine Electronics

The GPS Store, Inc.  
6899 Beach Drive  
Ocean Isle Beach, NC 28469

**Same Day Shipping!**

Order by 4 PM Eastern

**Friendly Customer Service**

**1-800-477-2611**



# SECTIONAL BARGES & TUGS FOR LEASE



5 Jones Street, Dubuque, IA 52001  
 Office: (563) 583-0556 • Fax: (563) 556-2293  
[sunflower-enterprises.com](http://sunflower-enterprises.com)



**BARGE DIMENSIONS:**

- 30' x 10' x 3'  
14,000 Lbs: Truck Three Per Load
- 40' x 8' x 4'  
20,000 Lbs: Truck Two Per Load
- 41' x 10' x 5'  
27,000 Lbs: Truck One Per Load
- 41' x 10' x 7'  
35,000 Lbs: Truck One Per Load



330-660 HP

**Dames Point Workboats • Jacksonville, FL**  
 (904) 757-0407 • [www.damespointworkboats.com](http://www.damespointworkboats.com)



Trapezoidal Dock Fenders 10' x 2' x 27 3/4"  
 For Sale Complete width weldments  
 15 Available - \$550 Each



**M/V T-RAY**



50' x 20'  
 Completely Rebuilt 2006  
 (2) S6B3 Mitsubishi's  
 (2) 30kw Isuzu Generators

**\$550,000.00**

**M/V JAX**



60' x 24'  
 (3) 6081 John Deere's  
 (2) 30kw Kubota's • Flanking Rudders  
 Completed November 2015

**\$1.150 Million**

Call Joey (985) 397-2192

## Central Boat Rentals, Inc.

Morgan City, LA

For Charter: 2000 HP Push Tug  
 10K & 30K BBL Double Skin Oil Barges

(985) 384-8200 [www.centralboat.com](http://www.centralboat.com)

\$ \$ \$ \$ \$ \$ \$ \$ \$ \$ \$ \$

**SELL** that new or unused item with  
**Boats & Harbors**  
 display or classified ad today!  
 Email: [gdonnelly@boats-and-harbors.com](mailto:gdonnelly@boats-and-harbors.com)

**TOUGH Kubota PARTS**  
 LARGE INVENTORY  
 SAME DAY SHIPPING

**KUBOTA Reman**  
 STARTERS / ALTERNATORS / TURBO'S

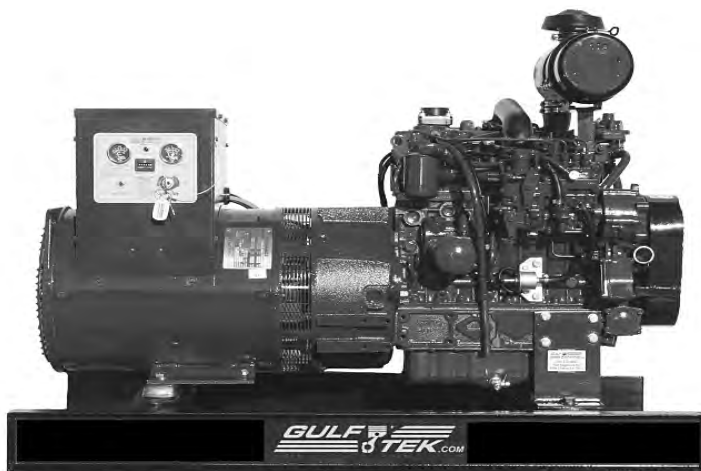
LIST OF SPECIFICATIONS
Kubota Diesel Engine
1800 RPM Generator Single or 3 Phase
Brushless Exciter
Automatic Voltage Regulator
High Temp and Low oil shutdown system
Air Cleaner
Belt Guard
Hour Meter
Key Switch
Stable Flex Neoprene Vibration Isolators
Fuel Filter
Mechanical Fuel Transfer Pump

OPTIONAL EQUIPMENT ACCESSORIES
Weather Proof Enclosures
Drip Pan For Skid
Fuel Tanks
Circuit Breakers
110/220 Outlets
Fuel Water Separators
Deluxe Gauge Panels
Extended Deluxe Gauge Panels to 50 ft.

# Kubota

**AUTHORIZED DISTRIBUTOR**  
**ENGINES / GENERATORS / PARTS**

(800) 925-4966



Marine and Industrial Generators

KEEL COOLED MODELS		
MODEL	KW	PRICE
KG8KWKC-ECS	8	\$5,920.00
KG10KWKC-ECS	10	\$6,130.00
KG12KWKC-ECS	12	\$6,800.00
KG15KWKC-ECS	15	\$7,810.00
KG17KWKC-ECS	17	\$8,050.00
KG21KWKC-ECS	21	\$9,075.00
KG25KWKC-ECS	25	\$9,355.00
KG30KWKC-ECS	30	\$9,810.00
KG40KWKC-ECS	40	\$12,715.00
KG50KWKC-ECS	50	\$13,860.00

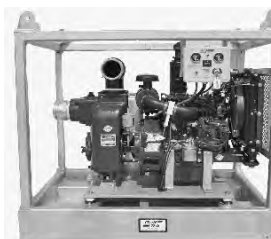
\*\*\*TIER 4 GENERATORS AVAILABLE\*\*\*

**GL SERIES**  
**LOWBOY II**

GL7000-USA	\$4,650.00
GL11000-USA	\$5,750.00



Pressure Washer  
 3K to 10K Cold Water  
 3K to 5K Hot Water



Trash Pumps 3 to 6 Inch



HPU Units



2306 Engineers Road, Belle Chasse, LA 70037  
 Office: (504) 393-1701 \* Fax: (504) 393-1627 \* Toll Free: (800) 925-4966

# NEUVILLE BOAT WORKS, INC.

## BUILDERS OF ALUMINUM BOATS

IN BUSINESS SINCE 1969



180' Jet Powered USCG T, ABS Classed A-1 HSC AMS DPS-2



170' Crew Supply USCG T/L ABS Classed A-1 HSC AMS DPS-1

**Slots Currently Available**  
[neuvilleboatworks@gmail.com](mailto:neuvilleboatworks@gmail.com)



167' WATERJET POWERED USCG T/L ABS CLASS A-1 HSC



47' CREWBOAT (30 PASS.)



50' PILOT BOAT

**TOP QUALITY CUSTOMIZED BOATS TO MEET YOUR NEEDS**  
**Passenger Boats • Pilot Boats • Party Boats**  
**Patrol Boats • FSV's**

**PH: (337) 229-6507 CONTACT: KERRY OR ERROL**  
**[www.neuvilleboatworks.com](http://www.neuvilleboatworks.com) • New Iberia, LA**



### DON'T LET MOTHER NATURE AFFECT YOUR BOTTOM LINE

Our custom-built fabric structures are designed to withstand the harshest conditions, while ensuring that your business needs are met. Everything from covering large refit projects to storing equipment and cargo is a cinch with a Big Top Fabric Structure.

The high clearance and open design of our shelters make them ideal for the marine industry.

- Boat Fabrication/Refit
- Paint & Blasting
- Warehouse
- Equipment Storage

**BIGTOPSHELTERS.COM**  
**1.800.277.8677**



## Double Hull Asphalt Tanker For Sale Direct From Owners



**Our File TA09748:** 441' x 56' x 33 depth. Built 1976 in Norway. Rebuilt: 1993. LR+100A1, ESP, Ice 1A, +LMC, UMS Oil Tanker. DD due 2/2018; SS due 12/2018. 9,748dwt. Light Disp.: 3,271mt. Abt. M/E: 5,000BHP. CP prop. Bowthruster. Speed @12.5kn on 14mt/day. 3-300m3 3/hr pumps. 3 - 500kW 440v 60 Hz gensets. 10,695m3 / 67,269bbl cargo in 16 tanks. 2-1.5 million kcal/h thermal heaters. SBT. Three cargo segregations. Worldwide trading. Sale strictly as is, where is.

Inspection / Delivery: North America

Marcon International, Inc.

Tel: 360-678-8880 e-mail: [info@marcon.com](mailto:info@marcon.com) Fax: 360-678-8890  
[www.marcon.com](http://www.marcon.com)



Seattle, WA  
 Tel: 206-762-3700  
[Info@rasmussenco.com](mailto:Info@rasmussenco.com)

## RASMUSSEN EQUIPMENT COMPANY

Your one stop marine project supplier!

Belle Chasse, LA  
 Tel: 504-392-0442  
[www.rasmussenco.com](http://www.rasmussenco.com)



**New, Used, & Reconditioned Sales & Rentals**  
 Diesel Mechanical Winches, Hydraulic winches, Hydraulic Power Units, Air Winches, Hand/Barge Winches, Portable/modular barges, Anchors, Chain, Wire Rope, Rigging Hardware, Fairleads & Deck Sheaves, Marine Fenders, Buoys, Blocks, & Winch Parts.



Used 6' dia. x 10' Cylinder Buoys \$6500.00 each, Seattle, WA

Poseidon, Flexifloat, Skagit, Amclyde/Clyde, & Manitowoc Lantec, Pullmaster, Thern

Please call, or email for a quote.  
 Seattle: 206-762-3700 Belle Chasse: 504-392-0442  
[info@rasmussenco.com](mailto:info@rasmussenco.com) ~ [www.rasmussenco.com](http://www.rasmussenco.com)

Patterson, Wintech, Ingersoll Rand Smith Berger, Rope Block, Skookum Johnson, McKissick, & many others.

# MASTER MECHANIC

A DIVISION OF  
Certified Power Inc.

**For ALL Your Hydraulic Systems & Components Needs!**  
Thousands of Items in Stock!

**To Order Call: 800-877-8350**

**Master Mechanic**  
970 Campus Drive  
Mundelein, IL 60060  
Ph: (847) 573-3812  
Fx: (847) 573-3836  
[www.certifiedpower.com](http://www.certifiedpower.com)  
Prices F.O.B. Factory -  
Subject to Change  
Without Notice

**We Specialize in Custom built Gas, Diesel and Electric, Hydraulic Power Packs with Reservoirs, Filters, etc. We'll help you design it, then Quote you a price! Call 1-800-877-8350.**

### KOHLER HYDRAULIC POWER PACK



OHV Kohler Command V-Service Engine with electric start, muffler, choke and throttle controls. Unit includes roll cage, 20 gal. reservoir, pump, filter, suction strainer, pressure gauge, relief valve and 5.5 gal. fuel tank. (Battery not included)

Item	HP	Weight	Price
BHK25H-20	25 hp.	280 lbs	\$3450
BHK27H-20	27 hp.	280 lbs	\$3650
BHK30H-20	30 hp.	280 lbs	\$3995

### 20 HP HONDA HYDRAULIC POWER PACK

Overhead valve engine has twin cylinders. Available with a Rexroth single pump. Complete with casting and coupling. 12 volt electric start and 3 amp alternator.



**Up to 2000 PSI**  
20 HP HONDA with Single Stage Pump

Item BH-H20H Wt. 140 Lbs. .... **\$1895.00**  
5.5 to 24 HP Hydraulic Units Also Available



### HYDRAULIC CONTROL VALVE

With detent for hydraulic motors or winches.

- Holds In or Out
- Capacity - Up to 20 GPM
- Maximum pressure 3000PSI
- Open Center

Item BH825 Wt. 10 Lbs. ... **\$82.50**

### HYDRAULIC CONTROL VALVE -



1, 2 & 3 Spools  
25 GPM - 3000 PSI for Parallel Application.  
1/2" Cylinder Ports,  
3/4" Inlet and Outlet Ports.

All models come with hardened and chrome plated spool, built-in adjustable relief valves. Tripod mounting feet, built-in load check, handles may be mounted in up or down position. "Power Beyond Outlet" for intake to an adjustable bank of valves if desired (add \$15.00)

Item	No. Spools	Wt.	Price
BH865-SP-1	One Spool	16 Lbs.	\$109.95
BH865-SP-2	Two Spool	24 Lbs.	\$179.95
BH865-SP-3	Three Spool	33 Lbs.	\$249.95

### WHITE HYDRAULIC MOTOR

2 or 4 Bolt Flange

High torque, great for augers, winches, conveyors, capstan drives, log loaders, sawmill drives - many uses of the motors high torque, slow speed. Fully reversible, develops 2,000 in. lbs. at 1500 PSI and 200 RPM's at 10 GPM, max flow is 16 GPM. Easy mounting with 1" keyed shaft. Many other motors of all sizes available.

Item BH225 Wt. 16 Lbs. .... **\$225.00**

### VANE PUMPS

V10, V20, V210, V230 & Others Available.

These are new pumps with No Core required. All ring sizes and shafts available. Standard porting. Max. pressure 2500 psi.

Item	Weight	Price
BH-V10	15 lbs	\$163.50
BH-V20	16-18 lbs	\$185.50
BH-V210	16-18 lbs	\$259.50
BH-V230	16-18 lbs	\$269.50

### HYDRAULIC GEAR PUMPS

3 GPM to 12 GPM at 1800 RPM, 3/4" Shaft  
High efficiency, exceptionally compact design. Ideal for applications where space is at a premium and weight a critical factor. SAE "O" ring ports, keyed shaft and 2 bolt flange.

Specify Rotation CW or CCW  
ITEM BH AP-PUMP Wt. 8 Lbs. ... **\$119.50**

### DIESEL HYDRAULIC POWER PACK

Air cooled, 4 cycle diesel engine, 12 VDC electric start and charging system. Includes oil filter, muffler, oil bath air cleaner, manual throttle control and stop levers, hydraulic pump mount and 5.5 gal. fuel tank.  
**Hydraulic Specs:**  
12 GPM pump at 2000 PSI or 15 GPM pump at 1500 PSI comes with roll cage, reservoir with filter, control valves and/or flow controls.



ITEM: BHL-20 Wt. 325 Lbs. .... **\$5995.00**

### ELECTRIC CLUTCH HYDRAULIC PUMPS

Drive off truck or equipment engines. Mounted in line with engine belt. Takes two type A 1/2" belts. Clockwise rotation. Ports 1" section. 3/4" outlet. Foot mount with two 1/2" taped holes. Comes complete with clutch on/off switch. "O" ring ports.



Item	Max Pressure	GPM @ 1200	GPM @ 2000	GPM @ 3000
BH118	3000	9.6	16	24.1
BH119x	3000	12.8	21.5	32.2

Item BH118 or BH119x Wt. 35 Lbs. .... **\$399.00**

JUST ADDED - BI-ROTATIONAL LARGER CLUTCH PUMP  
16 GPM at 1200 RPM, 26 GPM at 2000 RPM.

Item BH119xx Wt. 38 Lbs. .... **\$399.00**

### STAINLESS STEEL BALL VALVES Two Piece Full Port Ball Valve

- 316 Stainless Steel • 1000 PSI
- Yellow locking handle now standard



Item	Size	Price
BH 949-161	1/4"	\$14.50
BH 949-162	3/8"	\$15.50
BH 949-163	1/2"	\$16.25
BH 949-164	3/4"	\$16.95
BH 949-165	1"	\$21.00
BH 949-166	1 1/4"	\$29.50
BH 949-167	1 1/2"	\$48.50
BH 949-168	2"	\$71.95

Larger sizes available on special order basis

### HYDRAULIC MASTER DESIGNED 8000 LB. WINCH

Cable capacity is 750' of 1/4", 330' of 3/8" or 250' of 1/2". Overall dimensions of the winch are 22" long by 16" wide (including the hydraulic motor) and 13 1/2" high. The drum is 10" long with a 4" center diameter. A variety of hydraulic motors can be used with speeds up to 30' per minute possible with faster units. 10-15 gpm systems with a minimum of 1,500 psi provide plenty of power. White hydraulic motor operates at 400 RPM at 15 GPM



ITEM BH1435 Wt. 185 Lbs. .... **\$979.00**

Remember: Winches are not to be used to lift people or things over people.

or with cathead...

### HYDRAULIC MASTER DESIGNED WINCH

8000Lbs. Pulling Capacity, with cathead.

Specs are same as hydraulic winch, above with extended shaft and 4" cathead.



Item BH1435HC Wt. 200 Lbs. .... **\$1295.00**

### 100 AMP ALTERNATOR

Remanufactured" 100 amp negative ground alternator with single wire hook-up feature, new diodes, bearings, bushes, regulator and special custom wound 100 ampstator. Complete with fan and single belt pulley.



Add \$35.00 for spark arrester.

Item BH805 Wt. 16 Lbs. .... **\$157.50**

### 145 AMP ALTERNATOR

Remanufactured" 145 amp, 12 volt negative ground alternator with single wire hook-up feature. Unit replaces a 27 SI Type 200 Delco-Remy. Complete with fan and 2 belt pulley.

Item BH823 Wt. 20 Lbs. .... **\$219.95**

### 24 VOLT 65 AMP ALTERNATOR

Same heavy duty alternator as the 12 volt unit (shown at left), but puts out 65 amps at 24 volts.

Item BH824 Wt. 20 Lbs. .... **\$219.95**

## Monthly Special

**Special SALE!**

**Special SALE!**



Item	Description	Pressure	Weight	Price
BH 218300	Tie Rod Cylinder, 2" Bore, 8" Stroke	2500 psi	22 LBS	\$62.50
BH 218322	Tie Rod Cylinder, 2 1/2" Bore, 16" Stroke	2500 psi	29 LBS	\$79.50
BH 218302	Tie Rod Cylinder, 3" Bore, 8" Stroke	2500 psi	29 LBS	\$69.95
BH 218340	Tie Rod Cylinder, 3" Bore, 16" Stroke	2500 psi	32 LBS	\$89.95
BH 218305	Tie Rod Cylinder, 4" Bore, 24" Stroke	2500 psi	61 LBS	\$164.50

### HYDRAULIC CONTROL VALVE



4 way open center valve with built-in relief for double acting or single acting cylinders. Standard 3/4" and 1/2" ports.

Item BH822 Wt. 10 Lbs. .... **\$79.50**

### WHITE HYDRAULIC MOTOR

High torque, great for augers, winches, conveyors, capstan drives, log loaders, sawmill drives - many uses of the motors high torque, slow speed. Fully reversible, develops 2,000 in. lbs. at 1500 PSI and 200 RPM's at 10 GPM, max flow is 16 GPM. Easy mounting with 1" keyed shaft. Many other motors of all sizes available.

Item BH225 Wt. 16 Lbs. .... **\$225.00**

### VANE PUMPS

V10, V20, V210, V230 & Others Available.

These are new pumps with No Core required. All ring sizes and shafts available. Standard porting. Max. pressure 2500 psi.

Item	Weight	Price
BH-V10	15 lbs	\$163.50
BH-V20	16-18 lbs	\$185.50
BH-V210	16-18 lbs	\$259.50
BH-V230	16-18 lbs	\$269.50

### HYDRAULIC GEAR PUMPS

3 GPM to 12 GPM at 1800 RPM, 3/4" Shaft  
High efficiency, exceptionally compact design. Ideal for applications where space is at a premium and weight a critical factor. SAE "O" ring ports, keyed shaft and 2 bolt flange.

Specify Rotation CW or CCW  
ITEM BH AP-PUMP Wt. 8 Lbs. ... **\$119.50**

### HYDRAULIC HAULERS

10", 12", 14", 17"

The workhorses of the commercial inshore and midshore fishery. The ideal hauler for every application, whether single or multi-trap sets, or trawl line fishing.

- Heavy duty anodized cast aluminum backing plates
- Heavy painted steel or stainless steel disc
- Top-performing, reliable Char Lynn or White motors
- Solid bronze or stainless steel hubs
- Heavy cast steel or bronze rope deflectors
- Line speeds from 275 - 350 ft./min
- Solid aluminum fairhead rollers with bronze bushings and stainless steel shafts (sold separately)
- Line pulls from 310-1750 Lbs.

PRICES FROM ..... **\$445.00**

### TB & TC VANE PUMPS

Designed specifically for heavy duty industrial, agricultural and contractor applications. "No load" starting. Vanes are retracted until centrifugal force automatically extends them. Until they become extended, no load is exerted on the engine. Ball bearings give maximum shaft support with minimum friction. Pump can be belt and pulley driven.

Item	Porting	Shaft	Weight	Price
TB-12-100-75-K	1" NPT	3/4" NPT	3/4" dia. Keyed CW/CCW	2-bolt 11 Lbs. <b>\$379.00</b>
TC-24-125-100-B	26	1 1/4" NPT	1" NPT 1" dia. Keyed CW/CCW	6-bolt 17 Lbs. <b>\$459.00</b>
K-TC-FM		TC Ft. Mt.		6-bolt 1.5 Lbs. <b>\$ 39.50</b>

### ROTARY SPOOL VALVE -

With SS Spool... and built-in flow control

18 GPM at 3000 PSI rating. This valve has a built-in adjustable relief. For use with hydraulic motors.



Item BH755 Wt. 6.5 Lbs. .... **\$209.50**

### GLYCERINE FILLED HYDRAULIC GAUGES - Stainless Steel Case

Liquid-filled with resistance to vibration and extra long life. Easy-to-read 2 1/2" white face with black pointer. Dependable brass movement. 1/4" bottom stem. 100 to 5000 PSI RANGE

Item	Wt.	Price
BH687-1000	1 Lbs.	\$14.95
BH687-3000	1 Lbs.	\$14.95
BH687-5000	1 Lbs.	\$14.95

### PLANETARY WINCHES

#### Specifications

Line Pull: 10,000 lbs.  
Line Speed: 39.4 fpm  
Recommended Cable: 130' 3/8"  
Operating Pressure: 2,030 psi  
Max. Oil Flow: 15.9 GPM  
Motor: 5.9 cu. in.

Item	Weight	Price
BH PSVH-10000	112 lbs.	\$1195

### HYDRAULIC ANCHOR HOIST - 900 Lbs Pull at 1500 PSI

300 RPM at 12 GPM  
100 RPM at 6 GPM  
70 RPM at 3 GPM



ITEM BH1008 Wt. 40 Lbs. **\$695.00**

### GRESEN ROTARY SPOOL VALVE

4-Way Valve Model SPW4

20 GPM with a 2000 PSI rating. This valve has a built-in adjustable relief. For use with hydraulic motors.

Item BH449 Wt. 24 Lbs. **\$445.00**

### GRESEN 25P ROTARY SPOOL VALVE REPLACEMENT

With SS Spool & Handle

Up to 40 GPM and is used on power rollers, trap haulers, and many other marine and industrial uses. It is a four-way valve to power a hydraulic motor in forward and reverse. It has a rotary spool, metered and friction detented. Inlet and outlet ports are 1" O-Ring. Relief valve is set at 1500 PSI, and can be adjusted to 2500 PSI.

Item BH1072 Wt. 25 Lbs. .... **\$349.00**

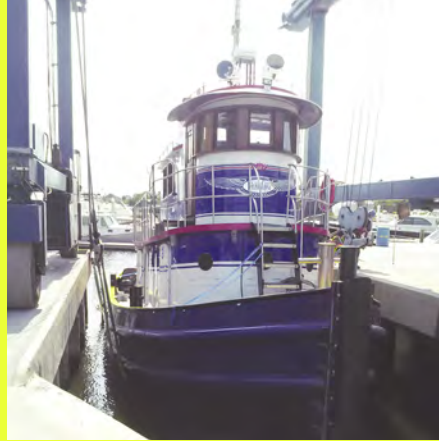
### ADJUSTABLE FLOW CONTROL VALVE

Controls the speed of hydraulic motors. Flow with 1/2" ports for 0-16 GPM. The 3/4" ports gets 0-30 GPM. The type of valve will start and stop a hydraulic motor and cylinder and vary the speed over a wide range. Once the speed is set it will remain constant regardless of load variation.

Item	Port Size	Ship Wt.	Price
BH2040	1/2"	8 Lbs.	\$69.50
BH2041	3/4"	8 Lbs.	\$69.50

Also available with built-in relief valve.

## Tugboat For Sale



Model Bow Tug 49 x 16.7 x 6.7 Single screw, Cummins 800 HP overhauled 11/16, Transmission rebuilt 11/16, Onan 20 KW gen, New Paint / New Shaft, Wheel reconditioned, 3500 gal fuel, 500 gal water. USCG inspected 7/14.

\$ 279,900.00

For additional information please call John Ciabattari 772-631-2130

## All Aluminum High Speed Passenger Day Vessel Direct From Owners



Our File PD07230: 72.2' loa x 31.0' beam x 8.9' depth. Built 1988. U.S. flag, GRT: 60. USCG COI exp. Sept. 2019. Light Disp.: 50T. FO: 1,100g. FW: 250g. Main Engines: 2 x CAT C32 total 2,840BHP at 2,300RPM. Speed abt.30kn max. Genset(s): 1 - 50kW; 1 - 65kW Northern Lights. Passengers: 172 +4 crew. Incat design. Reportedly very good condition. Call Marcon for price ideas & full details.

Inspection / Delivery: U.S. Northwest

Marcon International, Inc.

Tel: 360-678-8880 e-mail: [info@marcon.com](mailto:info@marcon.com) Fax: 360-678-8890

[www.marcon.com](http://www.marcon.com)



WORLD LEADER IN ALUMINUM LANDING CRAFT



MUNSON & YAMAHA

A Winning Combination



[WWW.MUNSONBOATS.COM](http://WWW.MUNSONBOATS.COM)

(360)707-2752 | [jesse@munsonboats.com](mailto:jesse@munsonboats.com) | 15806 Preston Place, Burlington, WA 98233

## ISLAND WIDE MARINE INSURANCE Superior Service Since 1977

**CUSTOMIZED POLICIES**  
Designed Specifically For:  
**Passenger Vessels**  
**Sightseeing - Dinner Cruise**  
**Headboats - 6 Packs - Ferry**  
**Dolphin - Whale Watch**

### FEATURING:

- ★ **Basic & Enhanced Policies**
- ★ **Competitive Pricing**
- ★ **Easy Payment Terms**
- ★ **Discounts For Seasonal Operations**



**Marine Insurance is Our ONLY Business**  
**1-800-635-6097**

## "MARINE INDUSTRY SALES AND CHARTERS"

### DAMCO MARINE MANAGEMENT, INC.

MORGAN CITY + NEW ORLEANS

PHONE (985) 384-2614 + FAX (985) 384-3741

BRITT CELL: (985) 714-0974 + DON CELL: (985) 397-1941

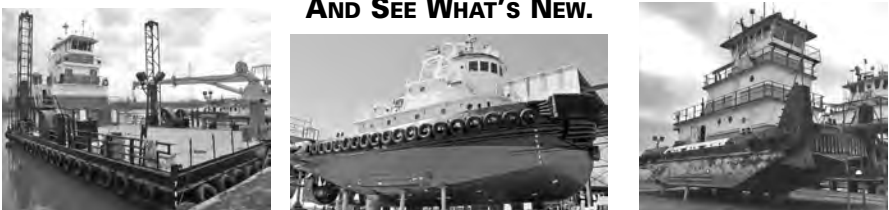
BOATS	BARGES	CRANES
Crew Boats • Luger Boats Tug Boats • Push Boats Supply Boats Utility Boats • Lift Boats	Deck Barges • Hopper Barges Living Quarters Barges Spud Barges • Tank Barges Crane Barges	American Cranes Lima Cranes • Terex Cranes Manitowoc Cranes Linkbelt Cranes
NEW CONST.	DRYDOCKS	MISC. EQUIP.

WE ARE LOOKING FOR NEW LISTINGS IF ANYONE IS LOOKING TO SELL. PLEASE CONTACT US ON INFO ABOUT HOW TO LIST WITH US.



OUR INVENTORY IS GROWING DAILY, PRICES ARE STARTING TO DROP, AND IT'S A BUYERS' MARKET.

COME VISIT OUR WEBSITE AND SEE WHAT'S NEW.

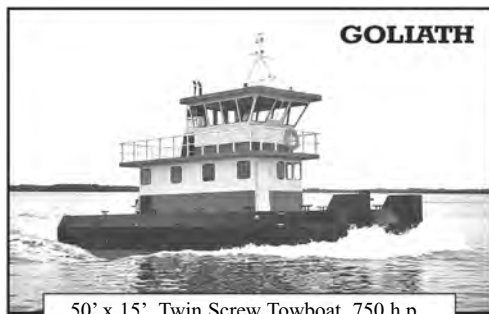


DAMCO MARINE MANAGEMENT, INC., with over 30 years in the marine brokerage & consulting business, offers quality marine equip., including new & used Boats, Barges, Cranes, & Dry Docks, & many other miscellaneous equip. available under U.S. or foreign flags. We have financing options available, we will arrange for NAMS Surveys and Valuations, we can help you ship, transport domestically or internationally, help with reflagging, redocumenting, transferring ownership, we also have charter and bareboat options. We will facilitate the purchase/sale transaction from start to finish.

••• IF IT FLOATS WE CAN HELP YOU BUY OR SELL IT •••

• Call For Details And Additional Pictures •

E-mail: [britt@damcomarine.com](mailto:britt@damcomarine.com) • [don@damcomarine.com](mailto:don@damcomarine.com) • [www.DAMCOMARINE.com](http://www.DAMCOMARINE.com)



**GOLIATH**

50' x 15', Twin Screw Towboat, 750 h.p.,  
5:1 Gears, 46" Props, 20 K.W. Gen.



**TRIUMPH**

25.5' x 14', Twin Screw Towboat, 450 h.p.,  
with Deckhouse, 3.5' Draft.



**VICTORY**

25.5' x 14', Twin Screw Towboat, 450 h.p.,  
3.5' Draft.

# AMERICA'S PREMIER TRUCKABLE BOAT BUILDER

## IS OFFERING SUPERIOR BOATS AT PRICES LOWER THAN YOU'VE SEEN IN YEARS



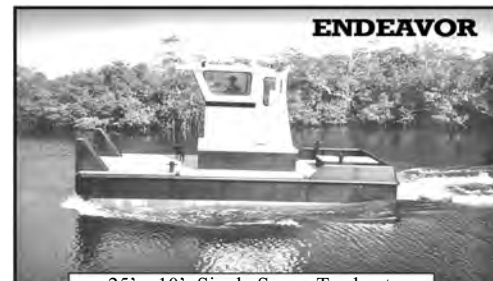
### FULLY EQUIPPED

**THIS BOAT AND OTHER MODELS ARE  
IN STOCK FOR DELIVERY TODAY!**



**CONQUEST**

25.5' x 12', Single Screw Towboat,  
225 h.p., Flanking Rudders.



**ENDEAVOR**

25' x 10', Single Screw Towboat,  
225 h.p., Flanking Rudders.

**Just Turn the Key.  
Everything is Included.**

- Towing Bitt and Four Cleats
- Running Lights
- Lockable Pilot House and Engine Room
- Non-skid Deck
- Engine Room and Pilot House Lights
- Opening Front Window in Pilot House
- Coolant Tanks with Level Indicators
- Large-Capacity Fuel Tank
- Full Instrumentation
- 1200 G.P.M Bilge Pump



**BORN  
TOUGH.**



**PROGRESSIVE INDUSTRIAL, INC.**  
PALMETTO, FL

**(941) 723-0201**

**PUSHBOATS-BARGES.COM**

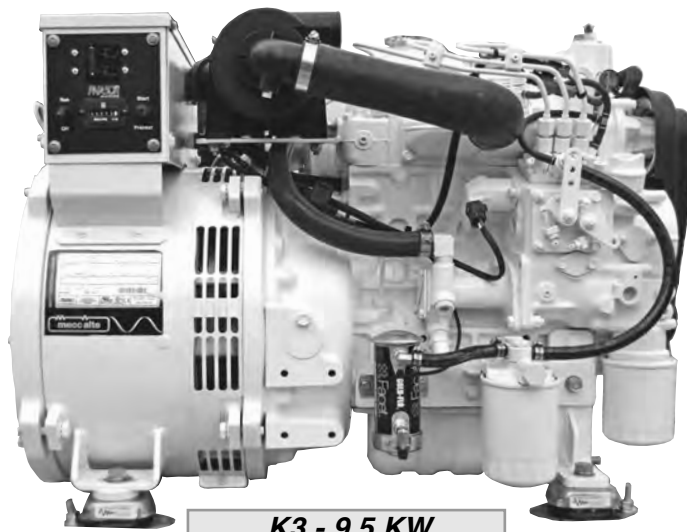
**Sectional Barges**  
8' x 20' to 15' x 60' per section pin together  
to form as large a platform as needed.

**Fast Delivery!  
Call Now for a Quote!**

# PHASOR MARINE

## Powered By Kubota

**Phasor Marine**, is one of America's leading manufacturers of marine gen-sets from 3.5 KW - 99 KW. By combining a Kubota or John Deere diesel engine with the finest generators available, you will have the Raw Power, Simplicity and Reliability that has made **Phasor Marine** the new industry standard for excellence. Call now for more information on the complete line of marine gen-sets.



**K3 - 9.5 KW**

**Kubota**  
**WE SHIP GENERATORS  
WORLDWIDE**

**Standard Equipment: 1800 RPM Sets**

- Kubota or John Deere Diesel Engine
- Single Bearing Generator  
With Epoxy Coated Stator Windings
- ± 1% Solid-State Voltage Regulation
- Low 1,800 RPM Operating Speed
- Four Point Isolation Mounts
- Automatic Low Oil Pressure and High Water Temperature Safety Shutdown Systems
- Fresh Water Heat Exchanger Cooling
- Water Cooled Manifold and  
Stainless Steel Exhaust Elbow
- Direct Driven raw Water Pump
- RACOR Fuel Filter
- Electric Fuel Transfer Pump
- Toggle Switch Start with Preheat, Start, Run, & Stop Positions
- Awl-Craft 2000 Urethane Finish
- Oil Drain Valve
- Zinc Anode in Heat Exchanger
- Air Intake Silencer
- Spin On Oil Filter
- 5 Year Limited Warranty

## **BOATS & HARBORS SPECIALS**

<u>MODEL</u>	<u>PRICE</u>	<u>MODEL</u>	<u>PRICE</u>
<b>K2 - 4.5 IPC</b>	<b>\$ 7,518.00</b>	<b>K4 - 12.5 KW</b>	<b>\$11,829.00</b>
<b>K3 - 7.0 IPC</b>	<b>9,011.00</b>	<b>K4 - 15.0 KW</b>	<b>12,458.00</b>
<b>K3 - 6.5 KWC</b>	<b>8,436.00</b>	<b>K4 - 17.5 KW</b>	<b>13,572.00</b>
<b>K3 - 7.0 KW</b>	<b>8,642.00</b>	<b>K4 - 21.0 KW</b>	<b>14,685.00</b>
<b>K3 - 8.0 KWC</b>	<b>9,161.00</b>	<b>K4 - 30.0 KW</b>	<b>20,160.00</b>
<b>K3 - 8.5 KW</b>	<b>8,998.00</b>	<b>K4 - 34.0 KW</b>	<b>22,234.00</b>
<b>K3 - 9.5 KW</b>	<b>9,986.00</b>	<b>J4 - 65.0 KW</b>	<b>32,367.00</b>
<b>K3 - 10.0 KWC</b>	<b>10,679.00</b>	<b>J4 - 80.0 KW</b>	<b>40,688.00</b>
<b>K4 - 12.0 KWC</b>	<b>11,954.00</b>	<b>J4 - 99.0 KW</b>	<b>41,187.00</b>

**SOUTHEASTERN  
POWER PRODUCTS**

2880 Hammondville Road, Pompano Beach, FL 33069  
Phone: (954) 979-5899 • Fax: (954) 979-4349  
900 Industrial Park Rd #10 Deep River CT  
Phone 860-526-9773 • Fax 860-526-2090

come visit our website  
[www.phasormarine.com](http://www.phasormarine.com)

# www.Sightseerboats.com

Quality and Affordability

All Boats Built To USCG Partially Protected Criteria  
Eco-Tour, City Tour, Party Cruise, Water Taxi's Boats

30', 35', 40', 45' & 50' Lengths x 10, 12, 13 & 14 Ft. Widths



All Aluminum Construction Means Lower Operational Costs & Requires Smaller HP Motors.  
Up to 49 Passenger • Multiple Route COI's Available

Fiberglassed Deck

Shallow Running Hulls

Now Taking Orders With 10 -16 Week Delivery



40' • 42 Passenger 35' • 36 Passenger

"V" Bottomed Catamaran Hulls

FACTORY DIRECT SERVICE & PRICING

BUILT TO MEET YOUR SPECIFIC APPLICATION & SITUATION

Full Turnkey Boats Starting Under \$100K

Call to Discuss Your Project & For Free Quotation

**727.856.6900**



**GREAT POINT**  
1,120 Passenger Ferry



**DESTINY**  
49 Passenger Yacht



**MYSTERE**  
88 Passenger Yacht



**ROYAL ARGOSY**  
752 Passenger Packet

## New & pre-owned

**PINNACLE**  
MARINE CORPORATION

608/788-3210 • FAX 608/788-3227  
E-MAIL: info@pinnaclemarine.com  
www.pinnaclemarine.com

## JEMISON MARINE SHIPYARD

New Constructions,  
Repairs And Conversions

(NEW) BOATS FOR SALE

251-824-7878 • 251-824-4575 (Fax)

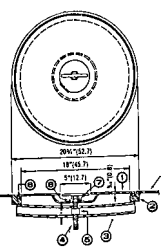
9315 Little River Rd • PO Box 645

Bayou La Batre, Alabama 36509

Contact: **Tim Jemison**

website: [www.jemisonmarine.com](http://www.jemisonmarine.com)

## NEW FLUSH HATCHES



PIECE NUMBER	NAME	MATERIAL
1	COVER ASSEMBLY	MILD STEEL
2	DECK RING	MILD STEEL
3	STRONG BACK	MILD STEEL
4	TEE HANDLE	STAINLESS STEEL
5	NUT	BRASS
6	GASKET	NEOPRENE
7	WASHER	BRASS
8	WASHER	NEOPRENE

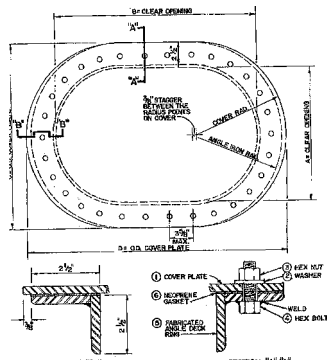
PRICE ON REQUEST

## NEW 18" & 24" HATCH COVERS



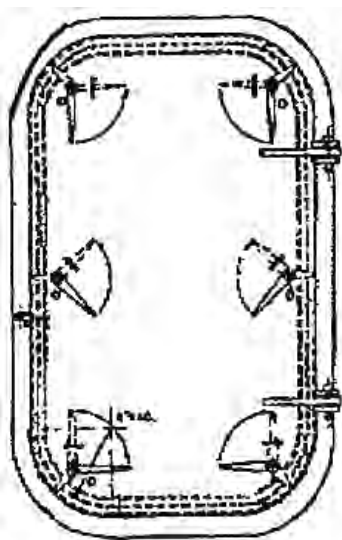
Flush mounting watertight hatch with machined steel mounting ring. T-handle is recessed and hand tightens against a strongback across mounting ring: 18" 90lbs. - 24" 120lbs.

## FACTORY NEW - SIZE 15x23 RAISED BOLTED PLATE MAN HOLE OR TANK TOP COVER



1/2" Thick-Cover 3/8" Thick Coaming 2-1/2" High Overall dims. of cover 20" x 28-3/4" Overlap for lifting No handles necessary

## 6-Dog Watertight ABS Steel Doors



1/4" Panel  
5/16" Frame  
Righthand & Lefthand  
Clear Opening Sizes:

26 x 60  
30 x 60  
30 x 66  
30 x 72

Available in either Manual or Quick-Acting Operation (4-Dog doors also available) Other sizes available by special order.



## NEW 15" x 23" TANK TOP COVERS

3/8" COVER & 3/4" DECK RING

Complete with Neoprene Gasket w/Brass Washers & S.S. Nuts 20 Bolts - Wt. 95 lbs.

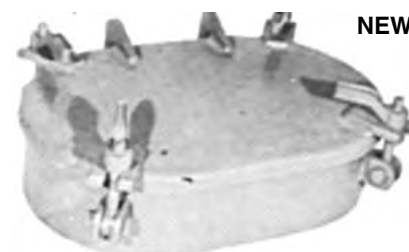


24"- 36"- 48" KEEL CHOCKS



## NEW 7" RADIUS PANAMA CHOCKS

(Meet Panama regulations)  
14" x 10" CLEAR OPENING  
With extended legs for welding to deck.  
14" Wide on base - 28" Length - 27-1/4" High  
In Stock Immediate • Delivery



## 4-DOG GENERAL PURPOSE 15" x 23" x 5" HATCH

## ALSO AVAILABLE

Open and Closed Chocks  
Single and Double Bitts  
All types of Marine Equipment

# POLI MARITIME

(formerly of Maritime Power Corporation) 79 West 33rd Street, Bayonne, New Jersey 07002

PHONE: (201) 243-6387 • (201) 858-2675 • Fax: (888)491-4731 • Email: [claire@polimaritime.com](mailto:claire@polimaritime.com)

### 24 VOLTS FROM 12

Volt in	Amp in	Vout	Aout	\$
12	100	24	85	98
12	200	24	500	285

Charge 24 volt battery from 12 volts.  
DC to DC. For 24 volt winch, windlass, bow thruster, hydraulic or water pump, hoist, trolling motor, inverter, compressor.  
**Over 99% efficient at full load.**  
**Trollbridge 24 and 2400 on Sale at**  
[www.yandina.com](http://www.yandina.com)  
Phone (877) 355-2184

### (2) 60' x 10' x 4' SECTIONAL BARGES



Barely Used, Freshly Sandblasted to Bare Metal, Painted. Cambridge, MD.  
**\$100K • (443) 521-7748**

### HYDRAULIC BOAT TRAILER



**Makes a Great Yard Trailer! Up to 40' Boat**  
**\$8,000.00 • 508-746-3328**

### Crabbing Business / Boat For Sale

Summer Seasonal, Profitable, Coastal DE. 12 Pass, 28' Carolina Skiff, COI Current. 225 HP Yamaha, Turn Key.  
**Justin • (302) 344-2214**

## EMD ENGINES & PARTS SUPPLIERS

### NEW • USED REBUILT



**CUSTOMER SATISFACTION FOR OVER 30 YEARS**  
**Power Systems International, Inc.**  
PO Box 297 • Clarendon, AR 72029  
**Phone (870) 747-3393 • Fax (870) 747-5352**  
Mike Steeland, Willie Reinhardt or Kevin Steeland

### 2 - HIGH SPEED PASS CATAMARAN FERRIES

FOR SALE OR LEASE CHARTER  
ALUMINUM BUILT 28 KTS.  
COI VIRGIN ISLANDS • SABRE BUILT



Twin 162000 MTU • Twin Gen. 30 Kw  
175 Pass Seating • Snack Bar  
Hauled 2016 • File: P-173  
**Best Buy ONLY \$375,000 Each**  
Contact: Capt. Fred (321) 536-4855  
[southernmarineservicesinc@gmail.com](mailto:southernmarineservicesinc@gmail.com)

## 20 Years PACIFIC BOAT BROKERS.com

1997 - 2017

### BUYING OR SELLING?

What Are You Doing With Your Boat?  
List your vessel with us today...for free


Our website is viewed by thousands daily.  
Buying? We have hundreds of vessels to choose from.

### THIS MONTH'S FEATURE

#### ICEBERG BAY

Iceberg Bay is a fully operational 161.8' x 48.1' steel barge with ice production and delivery facilities, an aluminum fish buying station and accommodations for 12. Fully self contained with water, fuel, and machinery to output up to 53 tons of ice in 24 hours.  
**Stock #F3508 • Reduced To \$1,800,000 (USD)**  
Head Office Toll Free: 1-877-448-0010  
Email: [sales@pacificboatbrokers.com](mailto:sales@pacificboatbrokers.com)  
[WWW.PACIFICBOATBROKERS.COM](http://WWW.PACIFICBOATBROKERS.COM)

### 600 HP TWIN SCREW TUG BOAT



Built 1958 by Blount Boats. 60' x 17.5' x 8', Main engines: (2) Detroit 6-110s. Serviced every 50 hours. Great oil pressure. Very fuel efficient. Recent oil lube change and upgrades. Towing @ 4 knots with loaded scow, burn 25 gph total approximate. Transmission: (2) Allison 5-1. Micro commander shifters. Garmin GPS. Radar. Firefighting equipment. Boat Command monitor system. Generators: (2) 12.5 Kw Yanmar. Fuel capacity: (1) 1,000 gal day tank, (1) 3,000 gal tank. Full electronics: Radar, VHF's, AIS. Located Northeast USA. Price: \$195,000  
**(516) 944-7154 • [eskeggs@verizon.net](mailto:eskeggs@verizon.net)**

## "Your search for metals begins with Fishers Boat Towed Detectors"

-Jack Fisher, Founder



**Pulse 12 Detects ALL metals**  
**\$9,995**



**Proton 4 magnetometer for Iron and Steel Only \$12,995**



**Pulse 10 \$3,995**



**UA-2 U/W Altimeter \$1,895**



**CMS - Cable Management System From \$2,995**





**Tracker Software \$995**

1953 County St., E. Taunton, MA 02718 USA • (800)822-4744 (508)822-7330 • FAX: (508)880-8949 • email: [info@jwfishers.com](mailto:info@jwfishers.com) • [www.jwfishers.com](http://www.jwfishers.com)

## COMMERCIAL MARINE SUPPORT SALVAGE, DIVING & CONSTRUCTION

Cranes, Barges, Tugs, Ferry & Dredging Services • Crew, Tow, Film, Spill Security & Safety Boats.  
Sales & Equipment Rentals • Meet The Fleet At [www.CustomMarine1.com](http://www.CustomMarine1.com)  
**Capt. Dwayne Reith • 646-235-9546 Tel. • 914-930-8907 Fax. • 710 Washington St., Peekskill, NY 10511**

 <p>95' Warping Tug, Twin Detroit Diesel 8 Cyl. Engines, Winch Power Assisted Drum Allison MH30L Transmissions, 360 Degree Water Jet Propulsion. Asking \$99k w/o Winch</p>	 <p>2004 46' Dauntless Sea Ark, Twin Diesel Cummins (QSM-11) Engines. 580 HP @ 2300 RPM. Transmission is ZF Marine (ZF 325-1A). Fuel Capacity 500 Gallons (200 FWD Saddle Tank, 300 AFT Saddle Tank). 25 Knot Cruise.....\$295K</p>	 <p>2 - LCM-8, 1987, Freshwater Only, 700 Hrs., 80 Ton Capacity. \$329,000</p>	 <p>1985 American 9220, 125 Ton, 100' Boom, Cummins, 4 1/2 Yard Clam Bucket. On Bulkhead In NY Barge Accessible For Pickup. - \$149,000</p>	 <p>2004 Nautica Rib, 42'. Cost \$500K New. A/C, Genset, 440 Yanmar w/Jets. - \$119,000</p>
--	--	--	--	--

 <p>1991 Thomas, 28' Pilothouse, Inboard Cummins, 6 Cylinder 6BTA 250 HP, Keel Cooled, 1,200 Hours. All Aluminum. - \$34,000</p>	 <p>2003 23' Rescue Boat, BH-HR7 Steyr 236 Diesel, 30 Hrs. \$50,000</p>	 <p>2000 32' Aluminum Breaux Brothers Work Boat, Mercruiser 454 FWC, Bravo 2, Fast Fuel Efficient. - \$44,000</p>
 <p>3- 1- 25' Steel Push/Work Boat, 1993, Twin 453, Both Diesels &amp; Trans. Rebuilt Last Season, 24" 4 Blade Props. - \$64,000</p>	 <p>24' Henley Aluminum Work Boat, 4 Cyl Gas Volvo I/O, Just Rebuilt. - \$19,000</p>	 <p>1999 Metal Craft King Fisher 22', 150 HP Volvo I/O Penta Diesel, Trailer Included. - \$49,000</p>
 <p>Shugart (4) 40' x 12' x 5'3, 25 Ton Capacity Ea. 2- 20" Spud Wells, 2- 40-80' Spuds Avail. - For Lease</p>	 <p>2003 Sea Ark 28' Enforcer, Aluminum, Twin Yanmar 200 HP, Genset. - \$78,000</p>	 <p>Flat Deck Bin Wall Barge 130' x 38' x 11' x 1/2" Sides Mostly Freshwater. - \$120,000</p>

### FOR LEASE:

#### (2) 2007 25' x 12 TRUCKABLE PUSH BOATS - (1) FOR SALE - \$159K FIRM

15' Eye Level, Twin Screw John Deere's, Flanking Rudders, Used Only In Fresh Water, Excellent Condition, Very Low Hours.

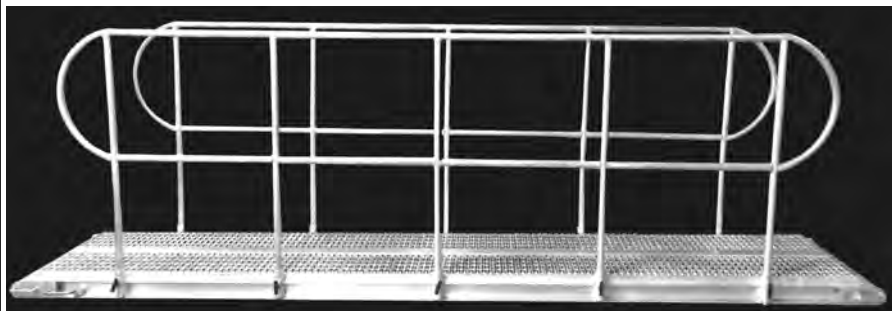


### FOR LEASE OR SALE (2) 2015 Marine Inland Truckable Push Tugs • \$275K

2 - 300 H.P. John Deere 6068 turbo tier 3 diesels 700 hrs. Flanking rudders with 21' eye level upper station and 15' from house 10 kW Genset. Fire pump, diesel mounted on deck 2- 10 ton winches 3/4 cable. 2 - 36" x 24" x 2.5" work horse props. 9' Push knees. Very Low Hours



**Standard 12' Aluminum Gangways**  
**\$2200.00 • 12' x 30"**



**Grip Strut Grating • Removable Handrails**  
**Handles and Retractable Wheels for easy one man use**  
 Contact for more information and pics:  
 bwyble@sup-us.com / 409-985-2448  
 Sabine Universal Products, Port Arthur, TX



**DON'T BUILD A FERRY.  
 BUILD A LEGEND.**

www.gladding-hearn.com

**INCINOLET®** electric incinerating toilets

**PROBLEM SOLVED!**

Need a toilet in "no discharge" zones?

For boat or dock, home or cabin –  
 INCINOLET, your best solution!

**SIMPLE** to install, maintain.  
 120 or 240 volts

**US Coast Guard Certified**

**ULTRA CLEAN:** waste  
 reduced to sterile ash.  
 As little as a cupful weekly.  
 Dump in garbage.

**TOP QUALITY:** stainless steel,  
 platinum odor control, quality  
 controls assure long life.



**1-800-527-5551**  
**www.incinolet.com**

RESEARCH PRODUCTS/Blankenship • 2639 Andjon • Dallas, TX 75220

*Acadian* Marine Transmission   
 Allison Marine Gear Specialist  
 217 Burgess Dr., Broussard, LA 70518  
 Ph (337) 837-3636 • Fax (337) 837-3633  
 www.acadianmarinetransmission.com

**Marine Transmissions & Parts,  
 Hydraulic Pumps & Parts,  
 Flywheel Assembly & Parts, Service**

- Repair/Exchange/Outright – Allison M & MH Transmissions
- M, MH, Twin & Quad Units
- Repair/Parts – Twin Disc & ZF Transmissions
- Repair/Exchange - New Hydreco Pump & Eaton Pumps



**VISIT OUR  
 SHIPYARD  
 ORANGE, TEXAS**  
**CALL (409) 988-0005**  
 for SPECS OR QUOTE  
 www.inlandboats.com  
 Email:  
 inlandboatworks@gmail.com

**The ORIGINAL  
 Truckable Boat Builders**

**CUSTOM BUILT PUSHBOATS AND  
 DECK BARGES YOUR DESIGN OR OURS**

**STANDARD MODELS • CONTINUOUS PRODUCTION OVER 45 YEARS BUILDING BOATS & BARGES**



**MODEL 2516**  
 25'9" x 16'0" x 5'6"  
 650-750 H.P. Twin Engine



**MODEL 2510**  
 25'9" x 10'0" x 4'0"  
 200 H.P. Single Engine



**MODEL 2512**  
 25'9" x 12'0" x 4'6"  
 400 H.P. Twin Engine



**MODEL 2514**  
 25'9" x 14'0" x 4'6"  
 600 H.P. Twin Engine



**DECK BARGES**  
 120'0" x 30' 0" x 7'0"  
 Double or Single Rake



**MODEL 2520**  
 25'9" x 20'0" x 6'0"  
 750 H.P. Twin Engine



**NEW MODEL**  
**MODEL 2523** with Quarters  
 25'9" x 23'0" x 6'8"  
 1125 H.P. Triple Engine



**MODEL 2520** with Quarters  
 25'9" x 20'0" x 6'0"  
 750 H.P. Twin Engine

**NEW ENGINES WITH FACTORY WARRANTY**  
**JOHN DEERE & CUMMINS TIER III COMPLIANT**  
**EXTENDED WARRANTY AVAILABLE**

**NEW TWIN DISC TRANSMISSIONS**  
**AQUAMET 17 PROPELLER SHAFTS**  
**NEW BRONZE 4-BLADE PROPS**  
**HEAVY DUTY QUALITY CONSTRUCTION**

# Questions to ask before ordering your sectional barge:

1. Will my barge be designed by experienced engineers?
2. Will my barge be built to my exact requirements?
3. Will my complete satisfaction be guaranteed?

If it's important that the answer to these questions is "YES", then contact us at:

## RPS Barge Co.

Built to your requirements.  
Built to last. Guaranteed.

877-826-2617 502-747-5540

[www.rpsbarge.com](http://www.rpsbarge.com)

[bill@rpsbarge.com](mailto:bill@rpsbarge.com)



## PROCK MARINE COMPANY

Specializing In  
Residential & Custom Docks, Commercial  
Work, and Shore Stabilization,  
Mainly Along the Coast of Maine  
Barge Rental Also Available



Rockland, Maine  
207-594-9565  
[www.prockmarinecompany.com](http://www.prockmarinecompany.com)

## 90 Passenger Dinner Party Boat 65' (74' Overall)



### 1995 Navigator • \$499,000

This boat is in excellent shape inside and out. Many upgrades, just had all Coast Guard inspections and recent survey. She is ready for service nightclub atmosphere, and bar top deck and lower deck has buffet bar inside with tables & chairs with A/C.

**Jim Richards (713) 419-1553**

## 2,000 H.P. TUG



Ex Navy YTB 102' x 29' x 14' - 2,000 H.P. Single Screw Tug with 800 H.P. Stern Thruster. Main Engine: Fairbanks Morse 10-38D 8 1/8. SMI 52" tunnel thruster driven by Detroit 12V-92. (2) 6-71 75 KW gen sets. 3,000gpm firefighting system. Last dry dock July 2015. Excellent Condition Mechanically & Cosmetically.

## 4,000 H.P. COMBI-TUG



100' x 26' x 14' - Main Engine: EMD 20-645-E5. Falk Hydraulic Reduction Gear. Retractable Aquamaster 360 degree Z-drive forward, driven by 800 H.P. Detroit 12V-92. (2) 4-71 60KW gen sets. Fwd & Aft hydraulic capstans. 3,000gpm firefighting system driven by 8V-71. Excellent Condition Cosmetically & Mechanically.

**Vessels Located in Northeast, Call for Pricing & Additional Information:  
(207) 338-3000**



# CS Marine Constructors Inc.

CS MARINE CONSTRUCTORS, INC.  
425 15TH Street Vallejo, CA 94592  
WWW.CSMARINE.COM

Rental/Services: [Mark@csmarine.com](mailto:Mark@csmarine.com)  
Sales: [Terry@csmarine.com](mailto:Terry@csmarine.com)  
(707) 562-4100

**For Sale** - 3408 B 175kw generator rectified to 250V DC 700 AMPS running take out @ \$2,500



**For Sale** - Good running 2900 Manitowoc Truck Crane, outriggers bad, makes good pedestal mount @ \$15K



**For Sale**

Tank Barge 35' x 174' Recent Dry Docking @ \$250K  
Manitowoc 123 Jib @ \$5K  
Manitowoc 124 Jib @ \$5K  
#9A Boom 40' Piece & 20' Piece - Repairable  
#8 Boom 40'  
#8 Butt Section - Repairable



**For Sale**  
Esco Digging Bucket (5 yd) \$7,500



**For Sale** - (2 Ea) New 24" Octagonal Concrete Piles (1) @ 107' and (1) @ 79'



## FOR RENT

**FLEXIFLOAT JACK-UP BARGE**

- Truckable, Maximum 100 Ton Crane

**TUGS**

**HIGH SPEED CREW BOAT**

**CRANES**

**OTHER MISC. EQUIPMENT**



Contact Stan Andrie At: (231) 332-9227 Or [srandrie@andrie.com](mailto:srandrie@andrie.com)  
[www.andrietg.com](http://www.andrietg.com)



SPECIALTY SALVAGE, LLC

860-395-4745

[info@cooperss.com](mailto:info@cooperss.com)

*The complete salvage management company  
Building relationships, not transactions*

[www.cooperss.com](http://www.cooperss.com)

Register to bid and receive information via email



## Weeks Marine, Inc.

CONTACT: Jim Irwin  
PHONE: 908-272-4010  
E-MAIL: [HJIRWIN@WEEKSMARINE.COM](mailto:HJIRWIN@WEEKSMARINE.COM)  
WEBSITE: [WWW.WEEKSMARINE.COM](http://WWW.WEEKSMARINE.COM)

FULL SERVICE PROJECT CARGO RATES A SPECIALTY

CHARTER BARGES AVAILABLE ON EAST & GULF COASTS. OCEAN & INLAND DECK BARGES, HOPPER BARGES, SPUD BARGES, MATERIAL AND CARFLOATS, ABS 340 x 78 x 19; 260 x 72 x 16; 222 x 60 x 14 & 180 x 54 x 14 DECK BARGES AVAILABLE ON EAST & GULF COASTS. TUGS TO 4000 HP AVAILABLE. FLOATING LIFT CRANES TO 500 TON. FLOATING DUTY CYCLE CRANES TO 30 CY BUCKETS. FULL SERVICE YARDS ON EAST AND GULF COASTS FOR MOBE SERVICES. CALL FOR COMPETITIVE BAREBOAT CHARTER, MARINE TRANSPORTATION, HEAVY LIFT AND STEVEDORE RATES.



**WEEKS FLEXI FLOATS FOR CHARTER**  
**40 x 10 x 7 AND 20 x 10 x 7 SIZES**  
**LOCATED AT OUR CAMDEN, NJ YARD**



4600 Series 4 Crawler Lift Crane w/ Series 3 Ringer Attachment



CREW BOAT STEVE L

### ABS BARGES FOR CHARTER

<a href="#">Weeks 184</a>	150 x 40 x 8 ABS deck barge
<a href="#">Weeks 185</a>	150 x 40 x 8 ABS deck barge
<a href="#">Weeks 186</a>	150 x 40 x 8 ABS deck barge
<a href="#">Weeks 188</a>	150 x 40 x 8 ABS deck barge
<a href="#">Weeks 176</a>	140 x 40 x 12 ABS deck barge
<a href="#">Weeks 177</a>	140 x 40 x 12 ABS deck barge
<a href="#">Weeks 178</a>	140 x 40 x 12 ABS deck barge
<a href="#">Weeks 179</a>	140 x 40 x 12 ABS deck barge
<a href="#">Weeks 290</a>	180 x 54 x 14 ABS deck barge
<a href="#">Weeks 291</a>	180 x 54 x 14 ABS deck barge
<a href="#">Weeks 292</a>	180 x 54 x 14 ABS deck barge
<a href="#">Weeks 293</a>	180 x 54 x 14 ABS deck barge
<a href="#">Weeks 294</a>	180 x 54 x 14 ABS deck barge
<a href="#">Weeks 295</a>	180 x 54 x 14 ABS deck barge
<a href="#">Weeks 298</a>	180 x 54 x 14 ABS deck barge
<a href="#">Weeks 2220</a>	222 x 60 x 14 ABS deck barge
<a href="#">Weeks 2221</a>	222 x 60 x 14 ABS deck barge
<a href="#">Weeks 2222</a>	222 x 60 x 14 ABS deck / spuds
<a href="#">Weeks 2223</a>	222 x 60 x 14 ABS deck / spuds
<a href="#">Weeks 2600</a>	260 x 72 x 16 ABS deck barge
<a href="#">Weeks 2901</a>	180 x 54 x 14 ABS deck barge
<a href="#">Weeks 2902</a>	180 x 54 x 14 ABS deck barge

### CREW BOAT FOR SALE

Steve L 41' Aluminum Crew Boat \$75K

### CRANE FOR SALE

Manitowoc 4600 Ringer 750T \$POR

### WINCH FOR SALE

Clyde Frame 6 (3) Drum, Good Shape, No Power \$75K

Buckets, Cranes, Hammers, Winches and Other Heavy Equipment Also Available.  
See Website [www.weeksmarine.com](http://www.weeksmarine.com)

Boats &amp; Harbors

**CLASSIFIEDS**Experience  
The Selling Power of The  
Yellow Sheet!Place Your Ad (931) 484-8708 or Email: [Tlewis@boats-and-harbors.com](mailto:Tlewis@boats-and-harbors.com) • Fax: (931) 456-2337 • Submit Online: [www.boats-and-harbors.com](http://www.boats-and-harbors.com)

## ★ BOATS FOR SALE

110' x 26' STEEL Fishing Boat. 16V149 main. Two 471 - 50W gens. Complete RSW refrigeration system. 671 GM engine for deck winches. 350,000 lb hold capacity. Ready to work. Located in Mid-Atlantic. \$249,000 OBO. (804) 761-0673

110' UTILITY BOAT, twin Caterpillar 3412 engines. 32 passengers +4 Crew. Current documents ready to work. \$230,000. Call: (281) 635-7151  
Email: [marineone1st@yahoo.com](mailto:marineone1st@yahoo.com)

114 FOOT EDWARDS Trimaran. 80 percent complete includes 165 foot mast. Dry-docked in Oahu, Hawaii. Sailonrave.com must sell. Asking price \$400,000 or best offer. (808) 246-4828  
[sailonrave@aol.com](mailto:sailonrave@aol.com)

180' OFFSHORE SUPPLY VESSEL, North Sea Stacks. Good condition. Located Texas. Call (281) 635-7151 or  
Email: [marineone1st@yahoo.com](mailto:marineone1st@yahoo.com)

1969 HATTERAS 45C sportfish, project rough, 6-92's Detroit, not in boat, teak interior, \$10,000, location LI. New York. (631) 764-5664

1985 26' NAVY MOTOR Whaleboat. Mfg: Technical Fiberglass. Rebuilt engine. Excellent condition, used as water taxi / tour boat. Incl trailer, asking \$25,000. For photos and information, contact: Capt Frank Fumega (203) 219-2673  
[frankfume@yahoo.com](mailto:frankfume@yahoo.com)

CLEAN OUT YOUR STORAGE TODAY! Sell it in Boats & Harbors! Call us today at (931) 484-6100 or place your ad online at [www.boats-and-harbors.com](http://www.boats-and-harbors.com)

1985 MONARK 27' CREW Pushboat. Ready to work, cabin, inboard diesel, aluminum hull, push knees, comes with 2007 Champion aluminum Tri-Axle trailer. \$25,000.00 or best reasonable offer. For information & pictures: (828) 966-9223 or  
[toxawayaquatics@comporium.net](mailto:toxawayaquatics@comporium.net)

1987 34' CRUSADER, 1997 Cat diesel, fully loaded for commercial or charter fishing, South Atlantic Federal permits. Port, SC. (910) 232-5547

1990 33 FT CUSTOM Aluminum Boat for divers. Winningoff builder, certified for 12-2. Can be certified for 16-2. 350 CU in GM engines. OMC out drives, very fast, cruise at 3800 rpms, 34.5 mph, 200 gals fuel, USCG certified August 16th. 25 miles from harbor on trailer, ready to be chartered, \$125K. (586) 791-3111.

2002, 60' ALL ALUMINUM Power Cat, Twin 700 Luger engine with 1800 hours, 20 KW Northern Lights Gen., full electronics, full galley, 2 staterooms, air & heat, 1500 Davit, 1400 fuel, 150 water. Ready to cruise. Best offer. (361) 816-5190

2006 SHAMROCK 247 open diesel! Under 1,000 hours Yanmar 260 BY professionally maintained. Furuno electronics, radar, etc. Fully loaded with trailer. Great condition. \$39K OBO. (252) 453-9500

30' ISLAND HOPPER For Sale. Solid glass hull. 300 hp 3116 CAT with 5,000 hours. Hydraulic. Rigged for commercial or pleasure. \$33,000 OBO. Call for pictures (804) 725-6047.

34' CRUSADER 1980, 15 hours total fresh water, \$12,500. (989) 295-7927

35 x 13 FG / LOW HR CAT 21KTCR, SS tanks, reduced \$33,000. 37' FG O-HR-OM 6-71TI, SS tanks. Beautiful sea boat. \$35,000. Appraised @ \$60,000. (843) 385-2301

36' LCVP 1965 FG 671. \$5,000. (415) 601-7858

36' HATTERAS ALL GLASS, has two 3126 Cats with ZF clutch 2,000 hrs. New AC and generator, also have pic and info. With boat comes reef permits, head boat permits, for Gulf and South Atlantic. 97 x 26 steel shrimp boat has two 3406 Cats. (2) 65 kW generators. (2) 30 HP compressor for freezer. For more info, please call Bruce (850) 899-3020.

65' DIVE / CREW Boat, aluminum. Twin Iveco fuel efficient engines, current documents. Ready to make you money. \$250K. Texas. Call: (281) 635-7151  
Email: [marineone1st@yahoo.com](mailto:marineone1st@yahoo.com)

40 FT WALK AROUND Cabin, AC, head / charter, 20 people total, COI current, federal fish permits, twin 370 HP Yanmar diesel, less than 2,000 hours, home port Dauphin Island, AL. Call Mike @ (251) 421-7560.

40' NAVY CAPTAINS, 40 passengers, 2 cabins, full foam flotation, FR fiberglass, shallow draft, 671-N Detroit Diesel, 2 to 1 Twin Disc, Hynautic steering. Sacrifice \$18,500 OBO. Panama City, FL. (850) 814-2763 or (850) 785-9146

41' FORMER USCG UTB, deep vee aluminum with raised cabin, powered by two Cummins VT903M (340 hp). Many parts available. \$75,000 OBO. (914) 632-6696

42' GLASS BOTTOM Submarine replica. \$39,000.00 Delivery possible. (805) 441-7463

42' TOLEDO 2003 Commercial Fishing Boat similar to #1 Hull, Cat 3126 8,700 hours total, new Twin Disc transmission, hydraulics, Westerbeke generator, (3) 1,600 lb & (1) 800 lb fish boxes, bandit reels, misc tackle, Key West. Call Bill (305) 481-0063.

45 FT. ALUMINUM Crew / Pilot Boats. 25 Pax. Brand new. Located in Florida.  
[Bite.usa@gmail.com](mailto:Bite.usa@gmail.com)

45 FT DURACRAFT Work Boat, repowered in 2000, runs great, 26 mph twin Cummins, Gen., Aircon, spotlight and more. \$95,000 trades accepted. Call (561) 723-2028.

46' COAST GUARD BUOY TENDER. Steel hull, 671 GM natural. Running boat as of right now. \$30K OBO. Mike (347) 287-1817

48' CHARTER BOAT, 1961 sport fisherman glass over wood, excellent condition, twin 4126 Cats, Luger, gen, AC, shower, located in VA. \$22K OBO. (757) 350-1271

50 NAVY UTILITY Lobster Yacht Conversion. Uniflite 1967, DD 6-71 Twin Disc, full conversion, stateroom, galley and wet head, 12 ft pilot house, 15 ft after deck, Hyd windlass, steering, autopilot. Hiller range, Dickinson range for winter. HW, inverter, solar, Flow Scan. Keel cooled / Dry stack. Bilge keels, flopper stopper and boat hoist. \$34,900. Ready for work or play. (860) 346-5008  
<https://fortmyers.craigslist.org/chl/boa/5955914354.html>

50' CHESAPEAKE BOATS. 2002 enclosed flybridge, 3 helms, dive compressors, 18 pass / 100NM, 800 HP Cats. Northern Lights gen, full galley. Very heavy construction glass over ply. \$179,000. Offers encouraged. (732) 244-2106

57' LANDRY SHRIMP BOAT built 1988 Cummins KT19, 30KW generator, sat. tv, ready to go, nets included. Located in Va. \$67,500 OBO. (757) 350-1271

70 x 21 STEEL SHRIMP BOAT, 500 HP CAT, 6 to 1 Twin Disc, 271 and 371 gen set, \$25,000. Call John at (713) 418-0274.

90' x 22' x 8', CREW / SUPPLY Vessel, aluminum, fresh COI, 36 passengers, triple Detroit 12V-71 #TI engines, clear deck 40' x 22' deck cargo 15 long tons, 2,100 gallons of fuel. Texas. Telephone: (281) 635-7151  
E-mail: [marineone1st@yahoo.com](mailto:marineone1st@yahoo.com)

ALBERMALE 26 FT 1993, project boat on a S+S aluminum triaxle trailer, needs motor and drive and glass work. \$8,000.00 or BO. (978) 270-4494

ACTION REQUIRED: If you wish to sell your vessel or equipment all you have to do is go to our website and place your ad. It's simple, it's easy and it's effective!  
[www.boats-and-harbors.com](http://www.boats-and-harbors.com)

ALUMINUM CAB WORKBOAT, 26' Weldbilt w/ push knees, tow bar and outboard protection bar, 225 HP, low hrs. Fully equipped and ready. Freshwater only. Trailer included. \$45K OBO. (901) 278-2161  
Email: [riverportms@aol.com](mailto:riverportms@aol.com)

ALUMINUM CREW BOAT 32' x 10' w/ Detroit 12V71. Low hours on full rebuilt engine. Good condition. \$30,000 OBO (801) 870-5848

**CHESAPEAKE BAY BUILT Classic 110 passenger vessel. 65 LOA, 60 ton, two 6-71 Detroit, current COI. Business and / or boat for sale, ready to cruise this season. (240) 463-1510  
[www.WestRiverCruises.com](http://www.WestRiverCruises.com)**

BOAT / TOUR / EXCURSION, 52 LOA, 50 passenger (seated) plus crew, current COI, built 1994, 1500 HP Detroit Diesel power, fast fun rides. \$249,000.00. Biloxi, MS (228) 392-2200  
For picture: [tom@kennedyengine.com](mailto:tom@kennedyengine.com)

CLASSIC WOOD Passenger Vessel. New COI for 169. Original stability letter for 224. Excellent condition ready to work. 65 ft. Biloxi Luger design. Expertly rebuilt in 1985. 1-3/4 inch mahogany with stainless fasteners. Twin 8-71s. 10 kW Kubota. Appraised at \$350K. Will consider trade for real estate. (228) 326-1668

RUST AND OBSOLESCENCE Steal Away the value of equipment. Sell or trade that which is no longer needed. Advertise it now with us.

SEA BREEZE. Valid COI thru 2016. Alum. Crewboat, blt. 1978, 45 x 15 x 5.6'. Cert. for 44 pax, ON 602377. Twin 8V71's, 700 Hp, 13 KW Kohler Gen. \$250,000.00. Location: New York. Call office for additional information:  
1-888-MR-BARGE, (617) 984-0022  
[Mark@Sterlingequipment.com](mailto:Mark@Sterlingequipment.com)

FOR SALE: COMMERCIAL Tugs, barges, dredges, work boats, passenger vessels, ferries, landing craft, air boats, hovercraft, anchors, propellers, winches, ship parts from Great Lakes freighters, marine diesel engines & transmissions, generators, marine antiques. Listings welcome. Scruton Marine Services (519) 583-1636, Fax (519) 583-2189  
[www.scrutonmarine.com](http://www.scrutonmarine.com)

GOOD STEEL BOATS made for work, self-bailing assist, utility and bridge construction boats. (508) 264-6863  
[www.americanworkboat.com](http://www.americanworkboat.com)

MISS KATHIE. 40' 8" x 13' 5" x 4' 1", Ex CG boat, HP: 680, yr. blt.: '78, GT: 15 GRT, Cummins 909's rblt. 2013, eng. gen.: (2) 24V alts. on eng. \$225,000.00. Location: Staten Island, NY. Call office for additional information:  
1-888-MR-BARGE, (617) 984-0022  
[Mark@Sterlingequipment.com](mailto:Mark@Sterlingequipment.com)

NICE CREW / SUPPORT Vessel. Texas Gulf Coast. (361) 220-1765.

PAIR 12 VALVE CUMMINS, 300 hp, 6BTAM2, less than 500 hrs in. 34 Hatteras with 1.5 ZF gears. Will sell all or part out. \$35K OBO. (410) 446-3753

PARTY FISHING BUSINESS For Sale. Same location for 26 years. 60ft DMR fishing 50 anglers 1/2 day. Evening cruise 85 people. Ocean City, MD owners retiring, reduced \$20,000 to \$210,000. Possible owner financing. Call (386) 931-8368

## ★ BOAT AND BUSINESS FOR SALE

ALASKA YACHT CHARTER 96' classic yacht. In operation since 1995. \$500,000 average revenue over past 4 years (in 5 month season). Profit margin 40% Owner / Operator will work with new owners. (360) 510-2213

SPEND YOUR WINTERS in Sunny South Florida. Ballyhoo boat and permit for sale. 25ft Morgan Cummins diesel. Boat permit, net, trailer and gear included. \$105,000. Ready to fish. Will train. (754) 235-3944  
Email for pictures and more info:  
[Tom@fishandhuntflorida.com](mailto:Tom@fishandhuntflorida.com)

SUCCESSFUL 27 YEAR multi-passenger catamaran sailing charter / dolphin watch business in Hilton Head Island, including USCG certified 53 ft catamaran, inspected for 45 passengers, "6 pac" 27 ft catamaran, lease agreement, etc. Boats may be sold as separate entity. Selling due to illness. (843) 686-2582

## ★ BOATS FOR SALE OR LEASE

220' OFFSHORE SUPPLY VESSEL, USCG certified and ABS class. Call for pictures and detailed specs. (415) 616-3472  
[tmonroe@atel.com](mailto:tmonroe@atel.com)

24' x 7' BOTTOM (8.5' Beam) closed cabin crew / work boat. Construction details: Bottom plating: 1/4 in. Side plating: 3/16 in. Deck plating: 3/16 in. Cockpit plating: 1/8 in. Transom plating: 1/4 in. Single or twin outboard motors can be transom or bracket mounted. \$44,900. (504) 415-5935  
[CClements@CMLABoats.com](mailto:CClements@CMLABoats.com)

## ★ BOATS FOR LEASE

CREWBOATS / SAFETY Boats for lease. Truckable aluminum crewboats 22' - 44', 6-15 pax, up to 40 knts., available bareboat or w/ crew. Can deliver anywhere. Contact Kevin @ (410) 977-0028  
Email: [smithequipment@verizon.net](mailto:smithequipment@verizon.net)

## ★ BOAT MOLDS FOR SALE

BOAT MOLDS for 22' Center Console and Cuddy Cabin models. All molds lightly used, set up for infusion, stored under cover with recently finished (2017) boat and motor also available. Total package \$165K. George (207) 206-2423

## ★ BOAT DELIVERIES

ECHO YACHT DELIVERY World Wide. We will move your vessel anywhere in the U.S. or the world at reasonable cost. Commercial vessel, yachts, power or sail. For reliable estimates, call (321) 514-5046 or go to our "Quick Quote" web page at:  
[echoyachtdelivery.com](http://echoyachtdelivery.com)

EXPERIENCED PROFESSIONAL, Worldwide, licensed masters and crews. Bayfront Marine, Inc. Mel or Diane Longo. (904) 824-8970  
[www.bayfrontmarineinc.com](http://www.bayfrontmarineinc.com)

## ★ PERMITS FOR SALE

13,000 DEEP WATER Shares with Allocations, \$13/lb. Call Joe (813) 335-2155 or  
Email: [gulffresh@gmail.com](mailto:gulffresh@gmail.com)

FISHING BOAT 30.1', needs work. California Dungeness Crab Permit for 175 pots. California Salmon Permit. \$70,000.00. Call (707) 480-8777.

COMMERCIAL GULF REEF fish permit for sale, \$15,000. (813) 335-2155  
[gulffresh@gmail.com](mailto:gulffresh@gmail.com)

CAN LOCATE ANY PERMIT, commercial or charter. 28, 33, 48 Passenger charter permits available now. (361) 356-1172  
[permits@greatsageinc.com](mailto:permits@greatsageinc.com)

HAVE MARINE PARTS YOU NEED to sell? Let Boats & Harbors help you! (931) 484-6100 or place your ad online at [www.boats-and-harbors.com](http://www.boats-and-harbors.com)

2017 ALLOCATIONS Snapper, Rg, Gag, Swg, Dwg, and Tile available for sale. Also buying all shares, allocations, boats and permits. (813) 335-2155

TRI-PAK - TUNA, SWORD, SHARK (incidental), 2nd tier tuna, have LP spool with 20 miles mono, other related equipment. Call Jack @ (727) 492-4907 for permit info.

## ★ REEL MOTORS FOR SALE

PETERSON MACHINE BANDIT MOTORS. Guaranteed low speed, brand new, \$400.00 each plus ship. Extremely well marinized and professionally built. Mark (850) 287-2705.

## ★ PERMITS WANTED

FULL PERMIT SERVICES: Buy, sell, renew, transfer, broker your federal fisheries permits. File no fish reports, vessel documentation, VMS activation. Expired permit solutions. (361) 356-1172

I BUY AND SELL South Atlantic snapper / grouper, Gulf reef, red snapper, shark, sword, king mac, others. Dave (904) 708-0893, (904) 262-2869

## ★ PERMITS FOR LEASE

10-50,000 POUNDS OF Red Grouper allocations available at .50 cents per pound, for lease. Joe (813) 335-2155

## ★ PUSHBOATS FOR SALE

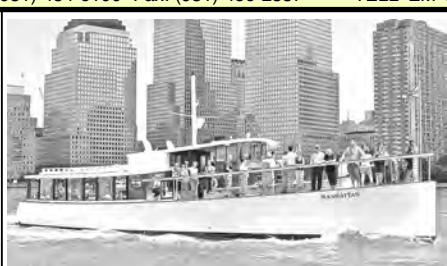
25FT. 9IN. LONG x 16FT. WIDE, 600 HP twin screw pushboat, eye level 20FT., 2,200 hours since new, for sale or charter. Ph. (251) 599-5906

3,000 HP PUSHBOAT. MV Gladys Ford, reduced price \$1.69 million. (850) 255-5266  
[www.mbbrokerage.net](http://www.mbbrokerage.net)

CONTINUED ON PAGE 26



**Scarano 65' x 14' Water Ferry Launch**



**Scarano 80' x 16' Motor Launch**



**115' PV Adirondack  
350 Passenger Capacity**



**Adirondack 65 LOD**

**SCARANO BOATBUILDING, INC.**

Port of Albany, Albany NY 12202

Custom Design Construction

518-463-3401 • FAX 463-3403 • www.scaranoboot.com



**Smithwick & Mariners Insurance, Inc**

Specializing in Inspected Passenger Vessels, Marinas, Boatyards, Boat Dealers,  
Mobile Marine Repairers & Various Commercial Marine Businesses  
as well as Yachts & Private Pleasure Boats

- ✓ Commercial Fishing, P&I, Lobsterboats
- ✓ Pollution Coverages
- ✓ NHCFA: Fishboat Program (New Hampshire)
- ✓ Charter Vessels
- ✓ Loss Free Credit/Loss of Income
- ✓ Payment Term Options

Call to customize a program for your needs:

**603-394-7008**

**www.blackadarmarine.com**

**MARINA EQUIPMENT FOR SALE • (305) 882-7000 • gwork@wejohnson-fl.com**

**2004 75 Ton Marine Travelift**



with Remote in exc. cond. Late model 75 BFM11 metric ton cap., (165,000 lbs) w/lots of extras. (2) speed hoist, (2) speed drive, remote control. John Deere dsl engine 4045TF w/low hrs. Regularly serviced & maintained by authorized dealer. ICH: 26' ICW: 23' **\$269,000**

**1998 Taylor TM-120**



4 stage mast. 20,000 lbs. 30' + 10' neg. drop, 20' forks, diesel. White non marking tires.

**35 Ton Boat Hoist**



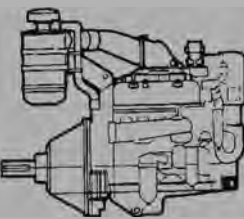
In good working order. Used every day by major national firm moving to larger hoist. ICW-20', ICH-18'.....**\$19,950**

**3 1/2 Yr Old Steel Haul For Sale**



18 x 50 ft. Haul. 855 Cummins. 350 hp. 2-1 clutch.

For More Info Please Contact Ferrell @ (985) 804-1730



**INDUSTRIAL DIESEL, INC.**

8705 HARMON • FORT WORTH, TX 76177 • Ph: 817-232-1071 • FAX: 817-232-0354 • WATS: 800-323-3659

WORLD WEB WEBSITE • <http://www.industrialdiesel.net> • EMAIL: [sales@industrialdiesel.net](mailto:sales@industrialdiesel.net)

SEE OUR COMPLETE INVENTORY ON THE WORLD WIDE WEB

NO C.O.D'S PLEASE  
WE ACCEPT VISA AND MASTERCARD  
Se Habla Español

**POWER UNITS**



**Caterpillar C4.4 Power Unit**  
Tier III, 100 HP RTO - Call For Pricing



**Perkins 1104 Tier IV Power Unit**  
100-117 HP RTO, Low Hours  
Call For Pricing



**Caterpillar 3126 Tier II Power Unit**  
200 HP RTO, Low Hours - \$7,500



**3054C Caterpillar Power Unit**  
160 HP, Low Hours  
**\$6,000**

**INVENTORY & COMPONENTS!**



**KT38 Cummins Engine**  
950-1200 HP, Rebuilt  
**\$65,000**

**Rebuilt Detroit Diesel Marine Engines**

Keel Cooled	Exch Price US	Outright Price US
3-71	\$ 7,000	\$ 10,500
4-71	\$ 8,200	\$ 11,700
6-71	\$ 10,000	\$ 13,500
8V71	\$ 12,200	\$ 16,000
8V92 N	\$ 14,000	\$ 19,700
12V71 N	\$ 20,500	\$ 28,550
16V92 N	\$ 36,000	\$ 46,000

Exchange Price Includes New Air Silencer. Outright Price Includes Exhaust Manifold, Flywheel, Tank Silencers.

Heat Exchanger	Exch Price US	Outright Price US
3-71	\$ 9,500	\$ 12,500
4-71	\$ 10,000	\$ 14,000
6-71	\$ 11,500	\$ 15,000
8V71	\$ 14,500	\$ 18,500
8V92 N	\$ 16,500	\$ 24,500
12V71 N	\$ 22,500	\$ 32,000
16V92 N	\$ 38,000	\$ 47,500

Exchange Price Includes New Air Silencer. Outright Price Includes Exhaust Manifold, Flywheel, Tank W/P, Pipes For Raw W/P, Air Silencers.

**Rebuilt Cummins Diesel Engines**

	Exchange	Outright
KT19 / 1150 / 450	\$ 28,000	\$ 38,000
KTA19 / 1150 / 525	\$ 32,000	\$ 42,000
QSK19	\$ 47,500	\$ 60,000
KTA38 High Profile	\$ 75,000	\$ 95,000
KTA38 Low Profile	\$ 102,000	\$ 137,000
KTA50 High Profile	\$ 90,000	\$ 125,000
KTA50 Low Profile	\$ 105,000	\$ 145,000
QSK50 Engine	\$ 185,000	Includes Swing

Prices are for standard industrial engines. Prices subject to change for non-standard engines.

**CALL NOW!!**

Inquire about our used DDA parts inventory & components

**CUMMINS**

KT 19/1150	BLOCK NEW STYLE 12 BOLT FRONT.....	\$ 5,000
KT 19/1150	BLOCK NEW STYLE 11 BOLT FRONT.....	\$ 4,500
KT 19/1150	CRANKSHAFT NEW STYLE STD/STD.....	\$ 4,500
KV 50/3067	CRANKSHAFT NEW STYLE STD/STD.....	\$ 10,000
VT 28/1710	CRANKSHAFT NEW STYLE STD/STD.....	\$ 5,000
KV 38/2300	CRANKSHAFT NEW STYLE STD/STD.....	\$ 8,000
QSK 19	CRANKSHAFT NEW STYLE STD/STD.....	\$ 5,000
KV 38/2300	BLOCK NEW STYLE VALLEY COOLED STD.....	\$ 8,500
QSK 19	FRONT COVER NEW STYLE NEW TAKE OFF.....	\$ 500
QSK 19	AFTER COOLER ASSY. NEW STYLE NEW TAKE OFF.....	\$ 3,000
QSK 19	OIL PANS NEW STYLE NEW TAKE OFF.....	\$ 350

**NEW MARINE PARTS**

NT 855	WET EXHAUST MANIFOLD NEW.....	\$ 950
NT 855	MARINE THERMOSTAT HOUSING NEW.....	\$ 350
NT 855	MARINE FLYWHEEL SAE #1 NEW.....	\$ 750
NT 855	MARINE BELL HOUSING NEW.....	\$ 1,000
KT 19/1150	WET EXHAUST MANIFOLD NEW.....	\$ 1,100
KT 19/1150	3003657 CONNECTOR NEW.....	\$ 105
KT 19/1150	3004718 CONNECTOR NEW.....	\$ 115
KT 19/1150	3003662 TUBE NEW.....	\$ 80
KT 19/1150	3004716 TUBE NEW.....	\$ 85

**REBUILT BLOWERS**

3-53, 4-53, 6V53, 4-71, 3-71, 2-71, 6-71, 12V71, 6V92T & 8V92T  
EXCHANGED - \$600.00 • OUTRIGHT - \$800.00 - \$1,000.00

**NEW SURPLUS • NEW SURPLUS**



**SPM 3000 HP Pump**  
BAS3000, G0214-10000  
3000BHP, 12 Stroke, 7.68 Gear  
Ration, MFG 2/2014,  
\*No Fluid End - **\$295,000**



**FMCWT2450 Pump 4.5 FLUID END**  
WT2450, Part# P540619,  
2400HP, Speed 1950, Gear  
Ration: 6:39:1 - **\$110,000**



**OFS 4700 Transmission**  
SN# 6610392590, 600HP,  
Pyroban Equipment,  
Cert# PYROBAN06ATEX0121X  
**\$40,000**



**Pacemaker Pumps 700BHP**  
BS# 322656, 141111PTL7/576  
Fluid End BSPAR# 322690  
SN: F0914-25960, MFG 2014  
**\$105,000**



**Cummins QSK19 800HP**  
800HP @2100RPM, Marine  
Application ABS Certified,  
4 Available - **\$50,000 Ea.**



**SPM QWS 1000 Pump**  
SN# F0613-21599, 60514-10175  
1000BHP, 4.61 Gear Ration  
MFG 12/2012  
2 Available, 1 Left and 1 Right  
**\$105,000**



**QSB 6.7 Cummins Power Unit**  
260HP, SN# 46941797, CPL 8611  
260HP @2200RPM, MFG 2008  
**\$20,000**

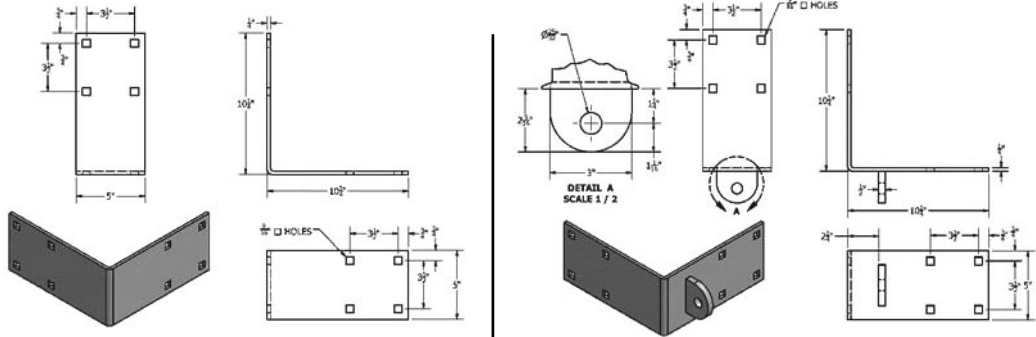


**Cummins QSX15 Power Unit**  
Tier IV Compliant, CPL 3350,  
600HP @2100, MFG 4/2012  
7 Available - **\$55,000**

**NEW SURPLUS  
NEW SURPLUS  
CALL NOW!!**

**WOOD DOCK HARDWARE**

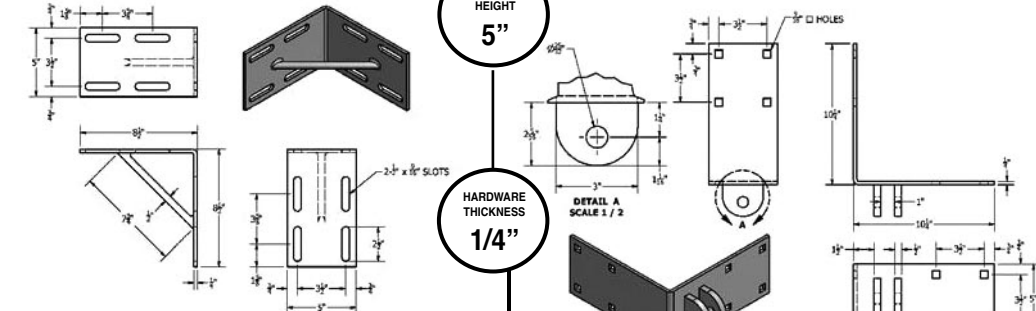
MADE WITH 1/4" HIGH STRENGTH STEEL THEN HOT DIPPED GALVANIZED



**Outside Corner End (H-OCE)** is used at the ends of fingers, ends of dock or for swim platforms.

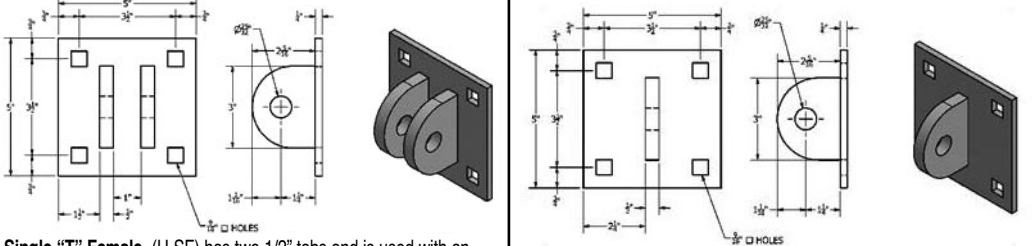
**H-OCE Ship#7 \$12.98**

**Outside Corner Male (H-OCM)** has one 1/2" tab and a hole for a 3/4" bolt or B-PIN. Would be used with an Outside Corner Female (H-OCF) or with a Single "T" Female (H-SF). **H-OCM Ship#8 \$18.71**



**Inside Corner (H-IC)** has slots and can be used with 1-1/2" - 3" thick wood. The inside corner sandwiches the wood between the opposite outside corner, keeping bolts from burying themselves in the wood. A corner gusset gives the unit a lot of strength and helps from racking the dock. **H-IC Ship#7 \$13.95**

**Outside Corner Female (H-OCF)** has two 1/2" tabs and a hole for a 3/4" bolt or B-PIN. Would be used with an Outside Corner Male (H-OCM) or with a Single "T" Male (H-SM). **H-OCF Ship#9 \$22.23**



**Single "T" Female (H-SF)** has two 1/2" tabs and is used with an Outside Corner Male (H-OCM) or a Single "T" Male (H-SM). Both male and female singles can be bolted to the side of a dock to make finger attachments. They can also be bolted to seawalls to make ramps. **H-SF Ship#4 \$13.04**

**Single "T" Male (H-SM)** has one 1/2" tab and is used with an Outside Corner Female (H-OCF) or Single "T" Female (H-SF). **H-SM Ship#3 \$9.22**

HARDWARE HEIGHT  
**5"**

HARDWARE THICKNESS  
**1/4"**

**WOOD DOCK HARDWARE**



**MERCO MARINE**

Merco Marine is a manufacturer of boat dock building components and accessories. We were established in 1979. Everything we manufacture is made in the United States, with US Steel, and US workers.

The products shown here are only a small portion of the over 2000 items that we manufacture and keep in inventory for boat dock building and marinas.

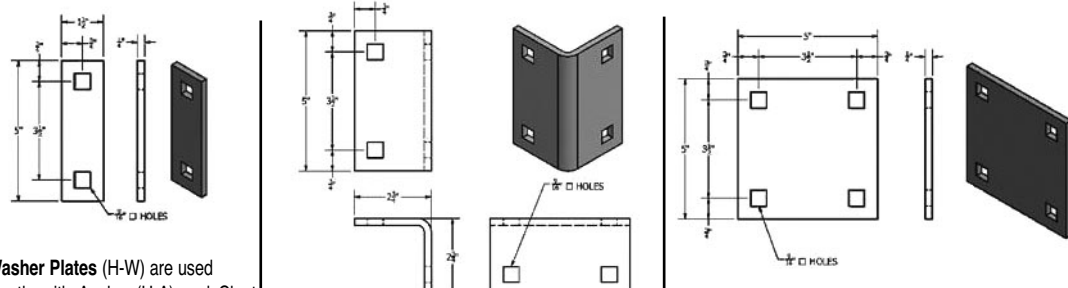
For a complete list of our products check us out on the web at [www.mercoboatdocks.com](http://www.mercoboatdocks.com) or give us a call at 304-737-3006. You can also request a free copy of our 65 page catalog.

Merco Marine can provide simple parts and pieces for your small pond or lake dock to build on site, or we can build entire marinas from start to finish.

**WOOD DOCK HARDWARE WWW.MERCOMARINE.COM 1-304-737-3006**

**WOOD DOCK HARDWARE**

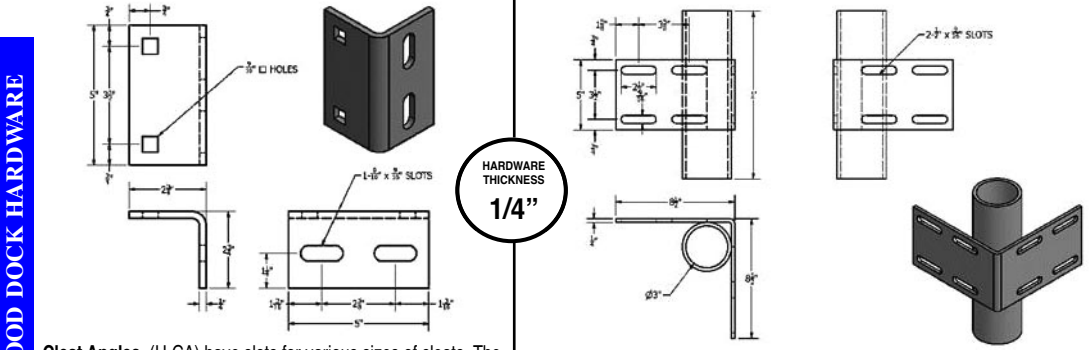
MADE WITH 1/4" HIGH STRENGTH STEEL THEN HOT DIPPED GALVANIZED



**Washer Plates (H-W)** are used mostly with Angles (H-A) and Cleat Angles (H-CA). The square hole in the plate keeps the carriage bolts from turning when the bolts are tightened. **H-W Ship#1 \$1.24**

**Angles (H-A)** used to hold all cross stringers to side stringers using a Washer Plate (H-W). The wood is sandwiched between the steel and creates a solid corner. **H-A Ship#2 \$3.45**

**Backup Plates (H-B)** are used with Single "T" Males (H-SM) and Single "T" Females (H-SF) for additional strength and to keep bolts from pulling through the wood. **H-B Ship#2 \$3.30**

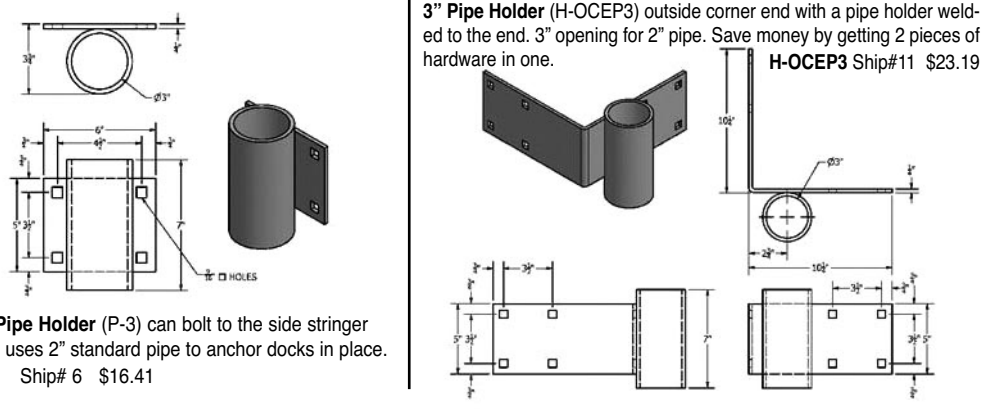


**Cleat Angles (H-CA)** have slots for various sizes of cleats. The cleat angle is bolted to the side stringer using a Washer Plate (H-W). The cleat is then bolted through the deck into the cleat angle. This keeps the cleat from pulling out of the deck. **H-CA Ship#2 \$4.88**

**Inside Corners/3" I.D. Pipe Holder (H-IC3)** has a 3" I.D. pipe holder welded in place. It can be used to replace a regular inside corner. It will accommodate a 2" I.D. pipe. **H-IC3 Ship#13 \$26.31**

HARDWARE THICKNESS  
**1/4"**

**WOOD DOCK HARDWARE**

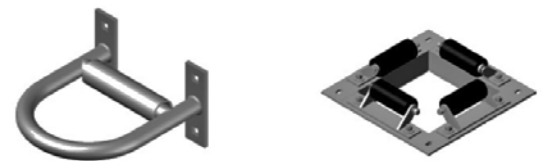


**3" Pipe Holder (P-3)** can bolt to the side stringer and uses 2" standard pipe to anchor docks in place. **P-3 Ship# 6 \$16.41**

**3" Pipe Holder (H-OCEP3)** outside corner end with a pipe holder welded to the end. 3" opening for 2" pipe. Save money by getting 2 pieces of hardware in one. **H-OCEP3 Ship#11 \$23.19**

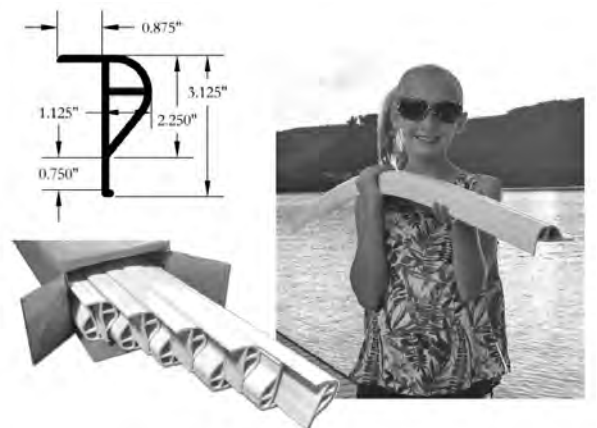
We also stock

**PILE GUIDES**



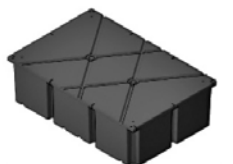
**DOCK EDGING**

Our **DE-40W** 40' Dock Edging (Shown above) comes 40' per box in easy to install 4' sections (10 per box) and includes 180 stainless ring shank nails.



**DE-40W White 40' Length 31 Lbs. \$89.95**

**FLOAT DRUMS**



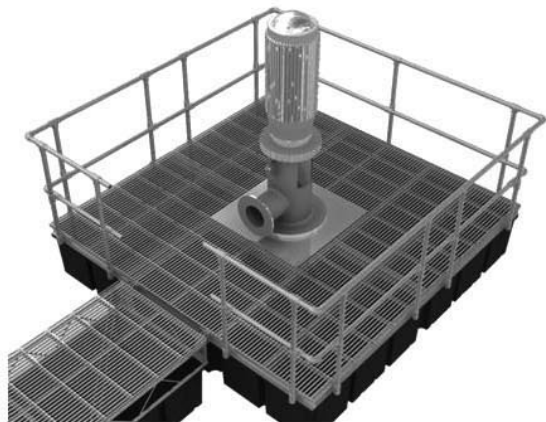
**CLEATS**



We also stock

**SQUARE INTERNAL PILE GUIDES**

For replacement roller assembly or parts see page 17.



**PUMP PLATFORMS**



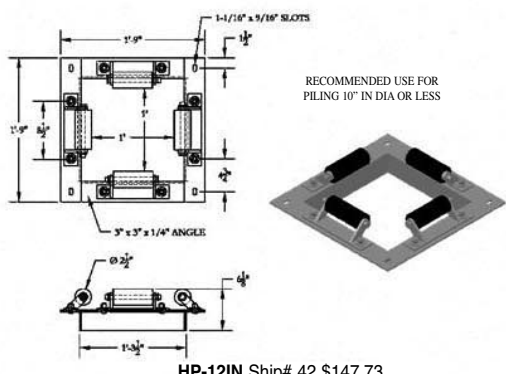
**PILE CAPS**



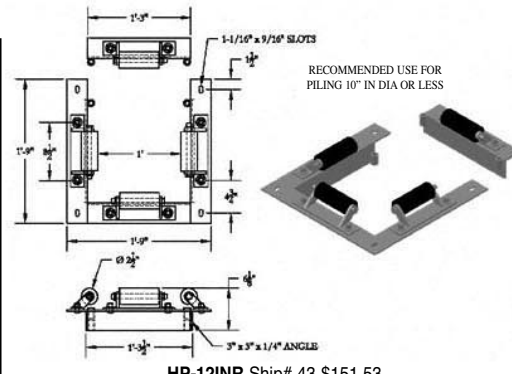
**CORNER BUMPERS**

View our complete product line on our website...

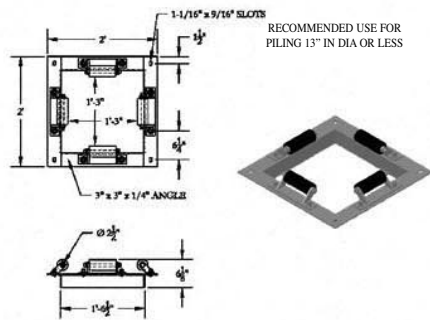
**WWW.MERCOMARINE.COM 1-304-737-3006**



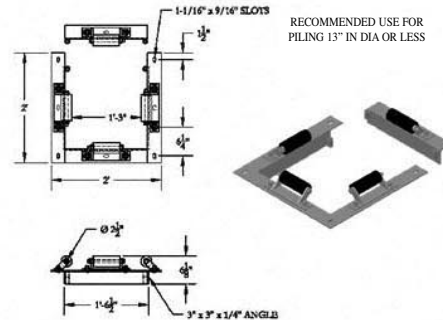
HP-12IN Ship# 42 \$147.73



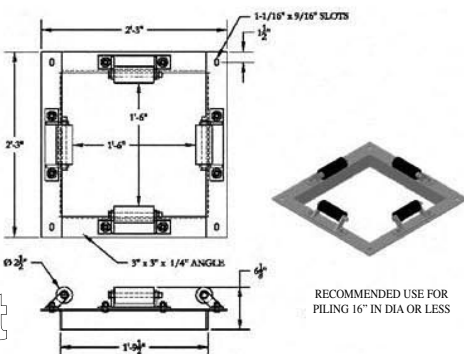
HP-12INR Ship# 43 \$151.53



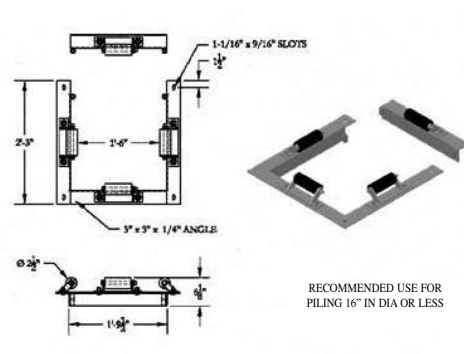
HP-15IN Ship# 53 \$162.37



HP-15INR Ship# 54 \$167.11

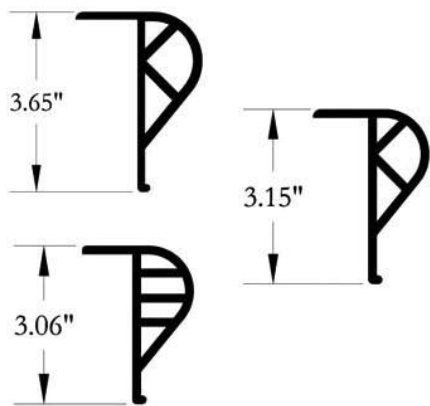


HP-18IN Ship# 58 \$170.98

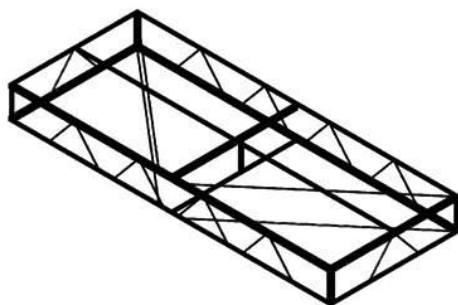


HP-18INR Ship# 59 \$175.26

PILE GUIDES



**RUBRAIL**



**TRUSS FRAMES**



**MERCO MARINE**

**HOOP PILE HOLDERS**

Our convertible Hoop Pile Holders have 3 basic pieces, a deck plate, a hoop and a roller assembly. This allows you to have a hoop pile holder the way you want it, whether it be a permanent hoop, a removable hoop or a hoop with a roller. You can use the roller assembly on the deck plate or bolt it directly to the dock. All parts are hot dipped galvanized. Add a UHMW Roller to any assembly as shown at the bottom of page 19. All assemblies include a deck plate, hoop, roller assembly, and 6 carriage bolts. Fasteners required to bolt to your dock sold separately on page 28.

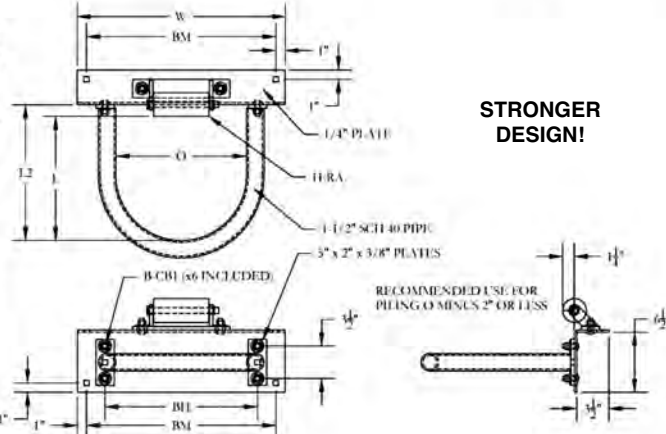
Assembly Number	Assembled Weight	□	L	L2	W	BH	BM	Hoop Number	Hoop Weight	Deck Plate Number	Deck Plate Weight
HP-H8R	25 lbs	8"	8 3/4"	10"	15 3/4"	9-3/4"	13 3/4"	HP-H8	8 lbs	HP-DP8	12 lbs
HP-H10R	28 lbs	10"	10 1/8"	11 3/8"	18 1/2"	12-1/2"	16 1/2"	HP-H10	8 lbs	HP-DP10	14 lbs
HP-H12R	30 lbs	12"	11 1/2"	12 3/4"	20 1/2"	14-1/2"	18 1/2"	HP-H12	10 lbs	HP-DP12	15 lbs
HP-H14R	32 lbs	14"	13 1/2"	14 3/4"	22 1/2"	16-1/2"	20 1/2"	HP-H14	10 lbs	HP-DP14	16 lbs
HP-H16R	35 lbs	16"	15 3/4"	17"	24"	18-1/2"	22"	HP-H16	12 lbs	HP-DP16	18 lbs
HP-H18R	37 lbs	18"	17 1/4"	18 1/2"	26"	20-1/2"	24"	HP-H18	13 lbs	HP-DP18	19 lbs
HP-H20R	38 lbs	20"	19 5/8"	20 7/8"	27 1/4"	21-7/8"	25 1/4"	HP-H20	13 lbs	HP-DP20	20 lbs

NOTES: ALL DIMENSIONS NOMINAL. DIAMETER TOLERANCE IS +/- 1/4". □ = DIAMETER

1-1/2" HOOP PILE HOLDERS

Circumference	□
9.42	3"
12.56	4"
15.7	5"
18.84	6"
21.98	7"
25.12	8"
28.26	9"
31.4	10"
34.54	11"
37.68	12"
40.82	13"
43.96	14"
47.1	15"
50.24	16"
53.38	17"
56.52	18"
59.66	19"
62.8	20"

□ - DIAMETER



STRONGER DESIGN!

Our mounting plates are 5" x 2" x 3/8" which are welded to the hoop and are used to mount the hoop to the deck plate. Our mounting plates are 33% thicker and 25% wider than most other hoop mounting plates on the market.

An easy way to determine the diameter of your existing pipe or piling is to measure the circumference and divide by 3.14. We've done the math for you with our Circumference chart to the left.

Part Number	Assembled Price	Hoop Number	Hoop Price	Deck Plate Number	Deck Plate Price
HP-H8R	\$94.88	HP-H8	\$35.93	HP-DP8	\$33.28
HP-H10R	\$99.53	HP-H10	\$38.55	HP-DP10	\$35.31
HP-H12R	\$106.43	HP-H12	\$43.42	HP-DP12	\$37.34
HP-H14R	\$111.31	HP-H14	\$47.34	HP-DP14	\$38.30
HP-H16R	\$119.62	HP-H16	\$51.91	HP-DP16	\$42.04
HP-H18R	\$125.87	HP-H18	\$56.26	HP-DP18	\$43.94
HP-H20R	\$132.16	HP-H20	\$60.61	HP-DP20	\$45.88

**Complete  
6-71 Detroit Diesel  
Engines  
Matching Pair  
w/ Allison Transmissions  
\$15,000 OBO • (302) 420-2699**




**100' (149) Passenger Triple Screw Aluminum Tour Boat / Ferry**  
1971 Camcraft conversion. 3412 Caterpillar powered with two 30 KW 3-71 Gensets. Currently working in Hawaii but will deliver to West Coast. May partial finance to approved party. \$325K. This is our vessel and will give courtesy to brokers. New 5 year COI for USCG haul inspection and dry dock 2-1-17.  
**Email: maucaptaindave@yahoo.com**  
*For Details*

**For Sale By Owner**



Outta Line 38' Hatteras Convertible 430 Reman 6 CTA Cummins, Phasor 9.5 KW Generator, Lee Outriggers, Ready to fish. Reef and Pelagic permits, Gulf of Mexico. Tackle included.  
**\$150,000 • (850) 685-0075**

**2011 45' CORINTHIAN CATAMARAN**



New 5 yr. COI, 49 Pass, 2 Crew, 20 Mile Offshore, Twin 2015 250 Yamaha 4-Stroke, Vessel Still In Operation.  
**\$250,000 OBO**  
**Call or Email: Brad (305) 747-0032**  
**keylargoparasail@yahoo.com**



50' Ches. Dead Rise, Twin Detroit Diesel 6-71, Twin Disc 506 6.5 Onan Gen., 49 Pass. New GPS & Radio, Mens & Ladies Heads. ALL Safety Equipment Included.  
**\$45,000 OBO**  
**Call Rick Anytime At (631) 786-3979**

**"Down East"  
48' Chesapeake Bay Deadrise**



1970 48' x 14' x 3', New Detroit 671, Hull just re-glassed & painted, Dual Steering. Lying Oriental, NC. Call to negotiate price.  
**Capt Ron (518) 294-6181**

**DAMCO MARINE MANAGEMENT, INC.**  
MORGAN CITY + NEW ORLEANS  
PHONE (985) 384-2614 + BRITT CELL: (985) 714-0974



**For Sale  
1200 HP Push Boat  
Built 2008 • Loc.: Gulf of Mexico**  
66' x 24', (2) Cummins QSK-19 w/ 6.1-1 Reduction. (2) John Deere 40 KW. Fuel Capacity: 18,000 gallons. Potable Water Capacity: 12,000 gallons. Eye Level: 29'. Draft: 9.5'.  
**E-mail: britt@damcomarine.com**  
**www.DAMCOMARINE.com**

**FOR SALE  
127 x 28 Dinner Cruise/Party Boat**



Current USCG Certified For 150 + 16 Crew. Built 1978 Palatka, Florida, Steel Hull and Aluminum Super Structure. 3 GM V 12 T1. 2 Northern Lights Gen Sets 40 KW Each. Both decks have heat and A/C. Currently operating in NY Harbor. Well maintained. Turn Key Operation. Hull inspection good for 2 years.  
**\$695,000.00**  
**Contact: Metin @ (347) 556-9424 • amberjack@live.com**

**Vessels For Sale**



**Seafare 40' Navy Launch**  
COI 45 passengers, Current drydock, Oct '16 Re-powered 671 Detroit - \$250,000



**Privateer 32' Willard Navy Launch**  
COI 35 passengers, current dry dock Dec '16, Cummins B-210 - \$200,000 Located WPB, FL



**Buccaneer 40' Navy Launch**  
Stability letter 48 pass. & structural approved, need electrical and mechanical submitted. Pwd by 671 Detroit. \$125,000 Loc. WPB, FL



**Prout Escale 39' Catamaran**  
Twin Yanmars, Interior 65% completed, new cushion, inside and cockpit. Cutter rigged. \$125,000 Located WPB, FL

**(561) 339-2504**

# RATES, ETC.

**DISPLAY ADVERTISING (3 ISSUES)**

**RATES:**  
Based on the column inch which is 1" deep and 2 1/4" (14 picas) wide

SIZE	RATE	SIZE	RATE	SIZE	RATE	SIZE	RATE
1"	\$73.00	12"	\$540.00	27"	\$1107.00	48"	\$1680.00
2"	\$116.00	13"	\$572.00	28"	\$1148.00	52"	\$1768.00
3"	\$171.00	14"	\$616.00	30"	\$1200.00	56"	\$1904.00
4"	\$224.00	15"	\$660.00	32"	\$1280.00	60"	\$1980.00
5"	\$280.00	16"	\$672.00	33"	\$1287.00		
6"	\$336.00	18"	\$738.00	36"	\$1404.00		
7"	\$392.00	20"	\$820.00	39"	\$1482.00		
8"	\$416.00	21"	\$861.00	40"	\$1520.00	Double Page	\$4096.00
9"	\$423.00	22"	\$902.00	42"	\$1554.00	Center Spread	\$4352.00
10"	\$460.00	24"	\$984.00	44"	\$1584.00	Cover Page	\$2080.00
11"	\$495.00	26"	\$1066.00	45"	\$1620.00		

Full Page \$2,112.00    1/2 Page \$1,280.00  
1/3 Page \$861.00    1/4 Page \$672.00

**CLASSIFIED ADVERTISING**

Rates for classified advertising: 84 cents per word, minimum 20 words for \$16.80 (charge covers two consecutive issues), \$1.26 per word, minimum 20 words for \$25.20 (covers three consecutive issues), \$1.68 per word, minimum 20 words for \$33.60 (covers four consecutive issues). Each additional consecutive issue .42 cents per word. For "Blind" ads (B&H box No. replies) add \$4.00 for 2 issues or \$6.00 for 3 issues. Include in count words in name, address, phone numbers & count each initial or number as a separate word unless considered good style to group, as P.O., H.P., 16-278A, etc., but if more than seven characters count as two words.

**Bold Type** \$1.14 per word 20 word minimum for \$22.80 (charge covers two consecutive issues) \$1.71 per word 20 word minimum for \$34.20 (covers three consecutive issues) \$2.28 per word 20 word minimum for \$45.60 (covers four consecutive issues), etc.

• TERMS: Payment With Order  
• CLOSING DATES: 9th, 19th, 29th, 9:00AM C.S.T. (Unless Otherwise Published)  
We Reserve The Right To Reject Any or All Advertising.

**ADDRESSES - (MAILING)** Boats & Harbors, P.O. Drawer 647, Crossville, TN 38557  
Physical Delivery Address: Boats & Harbors. 175 4th St. Crossville, TN 38555-4302  
Phone: (931) 484-6100 • (931) 484-8708 • Fax: (931) 456-2337  
Email: [dhale@boats-and-harbors.com](mailto:dhale@boats-and-harbors.com)  
[www.boats-and-harbors.com](http://www.boats-and-harbors.com)

**MECHANICAL REQUIREMENTS FOR DISPLAY ADVERTISING**

- Printing process: Web offset.
- Binding method: Saddle stitched.
- Trim size 10-1/4" wide by 17" deep
- 4 column page format.
- Width of single column: 2-1/4" (14 picas)  
Width of two columns: 4-3/4" (28-1/2 picas)  
Width of three columns: 7-1/4" (43 picas)  
Width of four columns: 9-3/4" (58-1/2 picas)
- Depth of column: 16-1/4"
- Minimum size space unit; one column in. (2-1/4"W x 1"D)
- All display ads must be full inches (no fractions).
- Ad must be as many inches in depth as it is columns wide.
- Publisher accepts: Negatives (right reading emulsion side down); repro proofs; camera-ready art; copy to be set in type. For best results, we recommend the submissions of quality white proofs rather than negatives. (Mail repro proofs flat or in mailing tube).
- Black and white halftones: 80 to 100 line screen.
- For best quality, submit clear sharp photos.
- Page number or position on page not guaranteed.
- Contract advertisers are entitled to one complete change of copy every three issues. When change of copy is not received by closing date, copy run in previous issue will be inserted.
- The publisher assumes no liability if for any reason it becomes necessary to omit any advertisement.
- No cancellations or changes in orders will be accepted after closing dates.

**SUBSCRIPTION ORDER FORM**

\* Standard Mail - (One Year - 36 Issues - 3 Per Month)..... **\$39.95**  
 \* Standard Mail - (Two Years - 24 Issues - 1 per month)..... **\$35.90**  
 \* Standard Mail - (One Year - 12 Issues - 1 per month)..... **\$17.95**

**\*USA & POSSESSIONS ONLY**

\* First Class Mail - (One Year - 36 Issues - 3 Per Month)..... **\$81.95**  
 \* First Class Mail - (Six Months - 18 Issues - 3 Per Month)..... **\$41.95**  
 \* First Class Mail - (One Year - 12 Issues - 1 Per Month)..... **\$31.95**

Remittance Enclosed \$ \_\_\_\_\_  
 **Foreign (Send For Rates)**

Name.....  
 Business Name.....  
 P.O Box or Street Address.....  
 City..... State..... Zip Code.....  
 Type of boat or business.....  
 Ph. No. ( )..... Fax No.....

**PH: (931) 484-6100    BOATS & HARBORS    P.O. Drawer 647**  
**FAX: (931) 456-2337    Crossville, TN 38557**  
**Email: [gdonnelly@boats-and-harbors.com](mailto:gdonnelly@boats-and-harbors.com) • [www.boats-and-harbors.com](http://www.boats-and-harbors.com)**

## Landing Craft

Available for Charter

(2) LCM-8 - 74' x 21' x 4'  
Capacity 50 Tons

(1) LCM-6, 56' x 14' x 3.5'  
Capacity 25 Tons

All Equipped w/ Hydraulic Cranes  
DAVE ALLAN • (207) 882-5400

## PILOT HOUSES



- Custom Built
- No Minimum Qty
- Carbon
- Stainless
- Aluminum

Est. 1992  
Lake Superior Cabs, Inc.  
800-328-1823  
www.lakesuperiorcabs.com

# BOATS FOR SALE

FROM THE MARINE DIVISION OF CAT FINANCIAL

Check out the list at  
[www.cat.com/boats4sale](http://www.cat.com/boats4sale)

Financing is available worldwide for all types of commercial applications, including fishing vessels.

We provide terms, competitive rates and repayment plans as unique as each of our customers.

For additional information or to obtain an application:  
e-mail: [CatBoats4Sale@cat.com](mailto:CatBoats4Sale@cat.com)  
phone: 615-341-8258  
fax: 615-341-8588



Caterpillar Financial Services Corporation  
2120 West End Avenue | Nashville, Tennessee 37203

## Scully's Customized Boats



Up to 60' U.S.C.G. Certified Vessels



Various Sizes of Stock Boats Available

Phone: 1-866-238-8353 • Fax: 1-985-384-5146

1015 Stephenville Road • Morgan City, LA 70380

Email: [info@scullyboats.com](mailto:info@scullyboats.com)

[www.scullyboats.com](http://www.scullyboats.com)

Available On GSA Contract



## AHOY PROPELLERS

QUALITY & PERFORMANCE THROUGH FLUID INNOVATION

2614 OAK DRIVE, HARVEY, LA 70058

504-367-5710

[AHOYPROPELLERS.COM](http://AHOYPROPELLERS.COM)



TORKING

EXPERIENCE THE POWER OF TORQUE



BRONZE - NIBRAL - STAINLESS

SIZES 24 INCH AND UP



Phone: 504-367-5710

Fax: 504-367-5733

Vessels, Barges,  
& Cranes For Sale



32' x 40' x 4' Sectional Spud Barge and Crane.



20' x 8' x 4' Truck-Able Push Boat, (1) GM 471, Flanking Rudder, Keel Cooled.



Dry Dock 220' x 70' x 6', Capacity 2800 Tons, Reported to be in excellent working condition.



New Shugart Compatible Sectional Barges. Call today for a quote, and lead time.

- (30) Crewboats 22' to 150'.....Starting at \$18,000
- (110) Inland and Ocean Deck Barges 30' to 400'.....Starting at \$15,000
- (31) Spud Barges 40' to 250'.....Starting at \$22,000
- (45) Inland & Ocean Hopper Barges 175' to 600'.....Starting at \$45,000
- (7) Landing Crafts 40' to 250'.....Starting at \$22,000
- (6) Travel Lifts 25 ton & Up.....Starting at \$25,000
- (29) Utility / Supply Vessels.....Starting at \$95,000
- (65) Pushboats 200hp & Up.....Starting at \$25,000
- (70) Model Bow Tugboats 200hp & Up.....Starting at \$65,000

New & Used Truckable Pushboats & Sectional Barges  
Used Cranes and Draglines

OVER 600 ITEMS LISTED ON OUR WEBSITE

[WWW.TMT-LLC.COM](http://WWW.TMT-LLC.COM)

# ISUZU

Powerful. Fuel Efficient. Dependable.



Keel Cooled Gen Sets  
6 - 99 kW



Radiator Cooled Gen Sets  
6 - 300 kW

**Generators • Engines • Pumps  
• Marine Propulsion •**



**M & L ENGINE**

1212 St. Charles St. Houma, LA 70360  
800-960-0068 [www.mlengine.com](http://www.mlengine.com)  
sales@mlengine.com

● **24 Hour Parts & Service**

*We are the power source!*



Marine Propulsion 300 - 620 hp



Heat Exchanger Cooled Gen Sets  
6 - 23 kW



**Manufacturer of Marine Air Conditioning Systems, Chillers, Water and Air Cooled Package Units, Refrigeration, Explosion Proof**



6,000 to 40,000 BTU



16k to 320k BTU Air Cooled  
Heavy Duty, Explosion Proof



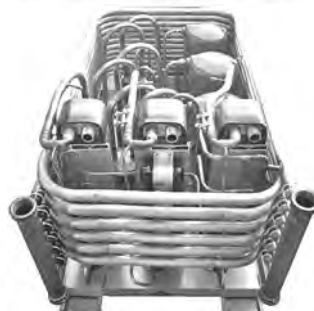
Air Conditioning Condenser  
Unit / Ref. Unit up to 50 HP



60,000 to 360,000 BTU  
Self Contained



Chiller 60,000-180,000 BTU



Triple Compressor up to 500,000 BTU

- Custom Engineering On Site
- Fast Delivery
- We ship world wide
- Water Cooled Self Contained Units for boats from 24 feet to Cargo Vessels
- Specialist to the Military, Shipbuilders
- Air-Cooled Marine Package AC for Pilot Houses
- Oil Rigs
- Marine Load Bank

**On Site Manufacturing since 1993  
Contact Us Now Toll Free 1 866 227 7773**

Phone: 772 220 0038 Fax: 772 220 0260

Email us at: [obr@oceanbreezeac.com](mailto:obr@oceanbreezeac.com)

Visit us online at: <http://www.oceanbreezeac.com>

Quorum Marine and Electronics Inc.

D / B / A Ocean Breeze 3920 SE Commerce Avenue  
Stuart, Florida 34997

**1982 RAMP BARGE  
- For Sale -**



128' x 38' x 7'8", 25' Ramp, 400 ton load capacity, ABS Load Line, Oceans CG COI. Located in Southern California.

**\$450,000 • Please call 310-420-3483**

**1985 MANITOWOC 4100-W  
SERIES II  
CONTAINER HANDLING CRANE**



Serial #41809  
Year Model 1985  
80' Boom With  
33' Stationary Tower  
Elevated Cab  
Cummins  
NTA-855-C400  
Diesel, Container  
Lifting Attachment Inc.  
Exc. Undercarriage  
Work Ready.  
Can Be Barge Loaded  
Located In The West  
Palm Beach, FL Area  
**SPECIAL PRICE:  
AS IS  
West Palm Bch, FL  
\$250,000**  
"Subject To Prior Sale"

**Harold Howell Const. Equip. Co.**  
Ph: (561) 744-5091 • Fax (561) 743-0915  
[www.haroldhowell.com](http://www.haroldhowell.com) • [hh@haroldhowell.com](mailto:hh@haroldhowell.com)

**FOR SALE • 68' DESCO  
FIBERGLASS LOBSTER FISHING VESSEL**



1271 Main Engine • 30 KW Gen.  
10 th Gal. Fuel • Vessel In Ship Yard For Retrofit  
Ready March

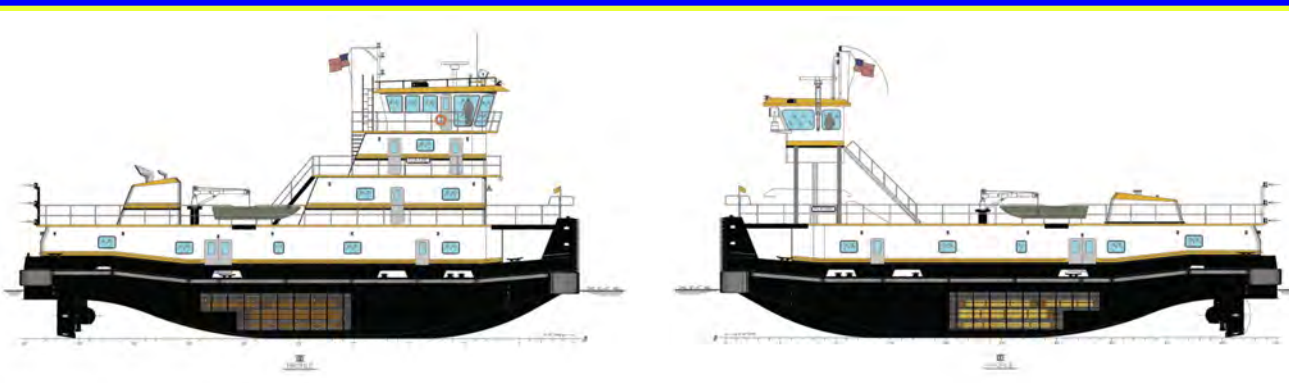
**Bargain Boat ONLY \$78,500.00**

Contact: (321) 536-4855

[southernmarineservicesinc@gmail.com](mailto:southernmarineservicesinc@gmail.com)

## TIER 3 VESSELS

Built To Your Specifications



Conventional House Design

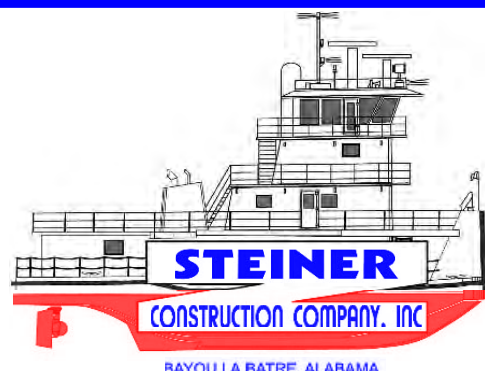
Retractable House Design

**Z-Drive - Or - Conventional**

**WE WILL BUILD TO YOUR DESIGN**

**3000 HP - 100' x 34'  
Z-Drive -or- Conventional  
Double Hull Oil & Fuel Tanks**

**CAT 3512C 1500 HP Tier 3  
Total Engine Set 3000 HP  
We Currently Own 4 Sets of  
NEW Tier 3 3512C Engines**



CONSTRUCTION COMPANY, INC.

BAYOU LA BATRE, ALABAMA

**Steiner Construction  
Company, Inc.**

(251) 824-2320

[SteinerMarine@yahoo.com](mailto:SteinerMarine@yahoo.com)

[SteinerMarine.com](http://SteinerMarine.com)

Also available: 70' x 30' (2) C32 1000 HP each Z-Drive or Conventional  
Built To Subchapter M Requirements ◀▶ Vessel Delivery Spring 2017

**3,000 HP PUSHBOAT**



**Reduced Price \$1.69 Million**  
**Contact: (850) 255-5266**  
[cgonsoul@gmail.com](mailto:cgonsoul@gmail.com)  
[www.mbbrokerage.net](http://www.mbbrokerage.net)

**FOR SALE**



21' Sea Ark, T 115 Yamaha's, 15 Hours.  
**Reduced Price \$35,000.00**  
**Greg - (732) 865-4272**

**Marine Equipment Rentals**  
 S-70 Flexi Floats & Accessories



**Spud Barges**  
**Jack Up Barges**  
**Truckable Twin Screw Pushboats**  
**Truckable Dinnys**  
**Harbor Masters**  
**Manitowoc Crawler Cranes**  
**Construction Equipment For Sale**



**Chris Jarvais**  
**207 679 2359**  
[cjarvais@cianbro.com](mailto:cjarvais@cianbro.com)

**CIANBRO**

**J & B BOAT RENTAL LLC**

Has Crew Boats, Work Boats, Tug Boats and Living Quarters for Hire.

**J & B FABRICATION**

J & B Fabrication Builds Work Boats and Crew Boats to Your Specifications

We also have Coast Guard Plans to choose from, tell us what you want and we can build it

Below are a few vessels built by J & B Fabrication.

You can contact us @ (985) 594-5831 or

Visit our website: [www.jbboatrentals.com](http://www.jbboatrentals.com)



**VESSELS FOR SALE**

**150' Aluminum Welded Crew Boat**



150' Aluminum Crew Boat with 5 Cummins K19, Very Clean, New COI  
 65' Aluminum Crew with Cummins Diesel Engines, Clean & Fast, New COI  
 (4) 50 Aluminum Crew Boats with Cummins Diesel Engines, Clean & Fast, All New COI  
 68' 3 Level Steel Push Boat, with Cummins Diesel Engines, New COI  
 (10) Aluminum Deck Boats from 20' - 47'

**STERLING EQUIPMENT**

**TUGBOATS FOR SALE**

**Tug "Jay Michael"**  
**68' x 24' x 7'**

**MODEL BOW TUG FOR SALE**



98 Gross Tons • Official Number: 630308  
 Built 1980 - Gibson, LA • 2 CAT 3508 – (2200 HP)  
 Twin Disc MG 540 Reverse Reduction Gear  
 (2) John Deere 4045TFM75 • 65KW Generators  
 Towing Winch • Smatco Winch • DPS44 • Cable Size: 1 1/8"  
 36,700 Gal. Fuel Capacity • Location: New York  
**P.O.R - Price Reduced For Immediate Sale**

**Tug "Lynx"**  
**73.5' x 25' x 9'**

**MODEL BOW TUG FOR SALE**



119 Gross Tons • Official Number: 507788  
 Built 1967 – Tacoma, WA • \*Rebuilt - 1990  
 (2) CAT D398 Engines – (1800 HP) • CAT 3192 reduction gear  
 (2) John Deere 4045TFM75 – 65KW Generators  
 24,000 Gallon Fuel Capacity • Quarters for 5 crew • Location: Quincy, MA  
**P.O.R - Price Reduced For Immediate Sale**



Whether you have been working on the water for years or starting your first job, Sterling can provide the equipment and the expertise to get your project off the ground.

**For More Information, Visit:**  
[www.SterlingEquipment.com](http://www.SterlingEquipment.com)  
**or call (888) MR-BARGE**

**Boats & Harbors****Maximize Your Profit - Minimize Your Cost!!**  
**CLASSIFIEDS***Experience*  
*The Selling Power of The*  
*Yellow Sheet!***Place Your Ad (931) 484-8708 or Email: [Tlewis@boats-and-harbors.com](mailto:Tlewis@boats-and-harbors.com) • Fax: (931) 456-2337 • Submit Online: [www.boats-and-harbors.com](http://www.boats-and-harbors.com)****★ PUSHBOATS FOR SALE**

IRONHEAD, 500 HP, 40' x 14' x 5', 20GT, built 1998, re-built 2012, ON: 1095072, (2) John Deere 6076 ALM with Twin Disc MG5091 2.95:1 gears. \$145,000. Call office for additional information:

1-888-MR-BARGE, (617) 984-0022  
Mark@Sterlingequipment.com

TWO 2,000 HP PUSHBOATS For Sale. (850) 255-5266

cgonsoul@gmail.com  
www.mbbrokerage.net

**★ TUGBOATS FOR SALE**

JAY MICHAEL. 68 x 24 x 7', 98 GRT, built 1980, ON 630308, Twin Cat 3508's, 2200 hp, 2 x 40 KW gensets, 37,000 gal. fuel, Smatco single drum winch, complete electronics. \$1,200,000.00. Location: Staten Island, NY. Call office for additional information:

1-888-MR-BARGE, (617) 984-0022  
Mark@Sterlingequipment.com

45 FOOT MODEL BOW. 871 Detroit 318 HP single screw. Kubota generator. A/C. Live or work aboard. USCG inspected. Recent survey. Excellent condition. \$115,000. (617) 694-3121 or

david@nehsbarges.com

45 FT EX-ARMY ST, upper pilot house, 514 4.13x1, TD gear, 855T Cummins, 20 KW Northern Lights gen, \$60,000. (843) 729-4264

'LEONA B' Model Bow 1972, Twin V12 149 DT, 1,450 hp, 30kW & 40kW. Towing machine, 63 x 24 x 10, GT99. Great Lakes. \$450,000 OBO. (414) 588-7784

LYNX. MODEL BOW Tug, 73.5 x 25 x 9', 119 GRT, off. #: 507788. Blt. 1967, rblt. '90, Martinolich Shipbld., Tacoma WA. Twin screw open wheel. Cat D398 main engs. rated at 915 hp ea. Cat 3192 reduction gear at 5.31:1. Gens: 2 Cat D320, 50 KW ea.. Towing winch: Almond Johnson 320SS, 1450' of 1-1/2" wire. Bow winch: Foss conversion, 200' of 1-1/8" shipwire. Fuel: 10 Tanks, 24,000 gal. Water: 3 tanks, 3,000 gal. Quarters for 5 crew. Comp. elects inc. SSB, AIS, Furuno FR 811 Radar. \$800,000.00. Location in NY Harbor. Call office for additional information:

1-888-MR-BARGE, (617) 984-0022  
Mark@Sterlingequipment.com

TUG - 25'-10" x 12' x 3.5', 1/4" steel, Cat 3304 with +/-500 hours since total rebuild. Flanking rudders, push knees, towing bit, 28" x 28" prop, fuel 250 gal. Eye level +14'. Additional info & pictures on request. (631) 207-1771

WANTED: Your advertisement here! Now is the time to let Boats and Harbors expose your business to a National and International readership! Increase your sales with a classified ad. Call Now: 931-484-6100 or Email: [tlewis@boats-and-harbors.com](mailto:tlewis@boats-and-harbors.com)

**★ BARGES FOR SALE**

110' x 34' 1943 STEEL Ex-Navy. Very good overall two-story electronics repair. Always clean, in & out. \$249,500. Seattle. (206) 225-3360

Details: [www.PacificMarine.org](http://www.PacificMarine.org)  
E-mail: [david@pacificmarine.org](mailto:david@pacificmarine.org)

160' x 36' x 10' NAVIDAD, Production / Equipment Barge, \$245,000.00. Contact: (850) 255-5266

www.mbbrokerage.net

4 EX NAVY Barges for sale. (707) 292-4861

[javalos@xktengineering.com](mailto:javalos@xktengineering.com)

ALMOST NEW 40' x 24' x 3.5' sectional barge, 4-10' x 24' sections, 1/4" plate, used on one job, will load, \$55,000 for all. For info/pics (440) 339-4935.

BARGE 22'x60'x4'; Linkbelt 20-ton crane 60' boom; Inland Marine Tugboat (8'x20') 471 Detroit Diesel. \$200,000. (912) 660-0097

[vicksoutdoor@ymail.com](mailto:vicksoutdoor@ymail.com)

BARGES FOR SALE Houma, LA. Inland Deck Barges for sale. Five Inland Deck Barges 120'x30'x7', built 2007, \$245,000.00 each (firm). 10K bbl double skin tank barge for sale. One 10K bbl double skin tank barge 195'x35'x10' built 1981 (still in certificate) \$550,000.00 (firm). For inquiries, contact (985) 665-0631.

CRANE BARGE 39.5' x 21' x 4', Wayne 5 ton, 64' boom, raked end spuds, draws 18", Tennessee River, \$97,500. (256) 762-9499

RENDRAG SPREAD: 6 each 10' x 40' x 5', 1 each 10' x 30' x 5' rake, 2 each 18" x 50" spuds, 1 each Skagit BU-15 3 drum deck winch, \$110K FOB, Newport, Oregon. (541) 265-9243

SECTIONAL BARGES Built. Any truckable size. Portable pushboats. Madison Boat and Barge, Madison Indiana, (812) 265-6255.

[www.madisonboatandbarge.com](http://www.madisonboatandbarge.com)

SPUD BARGE 140 x 80 x 15' Ex-Navy barge. Located in Staten Island, NY. Call Bobby D at Sterling Equipment (617) 984-0022 for further details. Barge is ballasted with concrete counterweight and is suitable for a large crane.

ACTION REQUIRED: If you wish to sell your vessel or equipment all you have to do is go to our website and place your ad. It's simple, it's easy and it's effective!

[www.boats-and-harbors.com](http://www.boats-and-harbors.com)

**★ BARGES FOR CHARTER**

AVAILABLE CHARTER in Northeast C/B Rockland. ABS load line deck barge, 215' x 59' 6" x 12', 2,427 LT cargo capacity, 2,500 PSF deck strength, four 36" spud wells, available with Liebherr LR 250 Crawler Crane C/B Fulton. Deck barge built to ABS rules, 140' x 40' x 9', 2,000 PSF deck strength, two 30" spud wells Liebherr LR250, 2014, 275T with 193' of boom. For more information, call Jason Reinauer @ (718) 816-8167 ext. 496.

NEW 10K & 30K double-skin tank barges. Central Boat Rentals, Inc. (985) 384-8200

[www.centralboat.com](http://www.centralboat.com)

SPUD, CRANE, HOPPER, material, car-floats, sectionals, oceangoing and inland. Services include floating crane, Brooklyn NY loading berth, transportation and project cargo, marine construction support, etc. Equipment located throughout the east coast. Call or email us for a free quote: Hughes Marine Firms. (800) 357-7744 or [info@hughesmarine.com](mailto:info@hughesmarine.com)

[www.hughesmarine.com](http://www.hughesmarine.com)

**★ BARGE FOR SALE OR CHARTER**

FOR SALE BY OWNER: Deck barges, spud barges, material barges, hopper barges; 60' x 26' to 300' x 100'. ABS and inland barges. East Coast, Gulf Coast, upper rivers. (800) 227-4348

SECTIONAL BARGES, Deck barges, dump scows, hopper barges and spud barges. From 10' x 20' to 85' x 140'. Located on East Coast & NY Canal System. J-Way Leasing (440) 934-1020

**★ BARGES FOR RENT**

SECTIONAL BARGES FOR RENT. Flexi-float 7' S-70 series and Rendrag 5'. Located in Central US (309) 925-2831

[info@midwestfoundation.com](mailto:info@midwestfoundation.com)

SECTIONAL BARGES RENTAL located in Florida, 40 x 10 x 5 & 60 x 11 x 4. Contact (305) 965-8852

Email: [barge@bargerent.com](mailto:barge@bargerent.com)

SECTIONAL BARGES. Located in Southern Calif. and can ship anywhere. Best prices. Contact (619) 533-7932

[grant@pacifictugboats.com](mailto:grant@pacifictugboats.com)

**★ BARGES FOR SALE OR LEASE**

30,000 BBL DOUBLE SKIN Tank Barge for sale or lease. Less than 4 years old, asking \$2.65M. Call (985) 384-8200

FOR SALE / LEASE: 140 x 40 9 ABS barge with covers. Deck tanks 2 (54 x 27 x 6). Central Boat Rentals (985) 384-8200

**★ BARGES FOR LEASE**

BARGES SIZED from 8' x 18' to 45' x 120'. Also "Shugart" sectional barges & small tugs. Smith Brothers, Inc. Galesville, Maryland 20765. (410) 867-1818.

CLASSED & UNCLASSED Flatdeck, Crane and Spud Barges from 24' x 12' x 4' to 160' x 54' x 8'. Norfolk Barge Co., Norfolk, Virginia. (757) 545-2414 ext 245

**★ AMPHIBIOUS EXCAVATORS WANTED/FOR SALE**

WANTED, AVAILABLE Marsh Buggies / Amphibious Excavators. We want to know about owners & users of these units. We will pay finders / fee rewards. Percy Ransome (888) 988-5747, (856) 797-6999.

[www.longreachhighreach.com](http://www.longreachhighreach.com)  
[percy.res@gmail.com](mailto:percy.res@gmail.com)

**★ DREDGES FOR SALE**

2006 IMS 5012 HP 10" Augerhead hydraulic dredge. Deere 325 HP. 100 hrs since new. Star wheel drive. Stored upland on flatbed. Spare maintenance parts. Ready to work. \$350K. (619) 888-2834

[Bobarete@gmail.com](mailto:Bobarete@gmail.com)

AAMCO DREDGE 12" CAT 3412 & 3306, diesel powered, 50' ladder, in excellent condition. Also rebuilt 12" booster available + 4000' SDR17, job ready. Call for details (215) 624-2221.

**DREDGES FOR SALE, rent, lease, purchase. New, used, rebuilt. We can build to meet your needs or we can sell you one you can rebuild. From the smallest to the largest, call us first! We will save you money! If you need to sell a dredge, call us, we are also buyers. Western Dredge & Supply Co. (936) 273-3228**

[www.westerndredge.com](http://www.westerndredge.com)

ELLCOTT 670 DRAGON suction dredge, 2015, Cat C-27, 800 HP (<1000 hrs), 12 x 14" 3 Vane Impeller, Hypac / Dredgepack computer. \$1 mil. (954) 288-1175

WE SELL USED / Refurbished Dredges! Dredge Central, LLC is your best source for used cutter-suction dredges. Our team has more experience refurbishing and rebuilding used dredges than anyone else in the industry. We have dredges ranging in size from 8" to 14" or 16" in our inventory right now, with more on the way. And call us first for good used pumps, boosters, push boats and dredge parts of all kinds. We're buying dredges, too! Call Don King, James Morris, Larry Fleeman, Bobby Prince, or Rick King. Dredge Central, LLC - Goodlettsville, TN. (615) 859-3733

[www.DredgeCentral.com](http://www.DredgeCentral.com)

**★ DREDGES FOR RENT**

10" DREDGE FOR LEASE. 28' digging depth. Contact: (207) 233-9268

**★ DREDGE EQUIPMENT FOR SALE**

DREDGE EQUIPMENT - Booster pump for sale or lease 12" x 10" Cat 3406. 4,000' 12" SDR 17, 6,000' SDR 10", 12" ball joints. Call (440) 934-1020

McELROY ROLLING FUSION Machine 412 (for Fusion dredge pipes), year 2000, price \$17,500. (305) 965-8852

Email: [barge@bargerent.com](mailto:barge@bargerent.com)

NEW 22" METSO Hydra-jet for sale. Call for price. (504) 737-1600

USED 12" HDPE SDR 17 Pipe, approx. 9,000 lf. Used 8" HDPE SDR 17 pipe, approx. 2,000 lf. Call for pricing. (207) 233-9268

**★ DREDGE EQUIPMENT SALE OR LEASE**

FOR LEASE OR SALE. 1980 KORI Marsh Buggy - GM Power. (440) 934-1020

ONE MAN'S JUNK, ANOTHER MAN'S TREASURE! Sell it or find it through Boats & Harbors.

**★ DREDGING EQUIPMENT FOR RENT**

FOR RENT 6" VMI Dredge with Pipeline. (440) 934-1020

**★ DREDGE PIPE FOR SALE**

10-INCH SDR 17 HDPE pipe available, 6,000 LF or more, in Central Florida, price per foot \$6.00 LF. Contact George (305) 965-8852

Email: [barge@bargerent.com](mailto:barge@bargerent.com)

**★ ENGINES FOR SALE**

(2) 2002 MAN V-12 1550 HP, 1 running take out, 1 blown, no gears, D 2842-LE409, \$25,000 pair OBO. (772) 475-8900

(1.) 3208 NAT. REMAN., bored, sleeved, 3 ring pistons, \$9,000.00 OBO. (2.) 3208T, 320 HP, strong RTO, \$7,000.00; with reman. 506-2-1 gear, \$9,500.00 OBO. Will separate. David (904) 262-2869

(2) 3116TA CAT 300 HP rebuilt. (2) 3208TA 355 HP with gears. Call Mike Cobb @ Key Power (888) 463-0099.

[kpsi1@msn.com](mailto:kpsi1@msn.com)

(2) 6:71 DD w/ 1.45x1 TD gears, HE cooled, (2) 24"x14"x2" props, (2) 2"x6"-6" SS shafts, \$7,500.00. (3) 3:71 GM diesels, \$600 each. (843) 729-4264

(2) DETROIT 6V92 TIB 500 HP twin turbo running take outs. 300 hours port, 1630 hours starboard with 5081 Twin Disc, 2-1 gears. Great running, heat exchangers just serviced. \$28,000.00 or B/O (732) 492-8340.

**YOUR AD LOOKS GOOD IN PRINT!** Whether it is Boats For Sale, Engines For Sale, Gears For Sale or a Wanted Ad your advertising can be more effective by placing your vessels and equipment with us! Call Now: 931-484-6100 or Email: [tlewis@boats-and-harbors.com](mailto:tlewis@boats-and-harbors.com)

(2) DETROIT V127TI, 650 HP with ZF gears for sale. Also including newer Mathers electronic controls. One overhauled April 2010, and one this year. Running engines in passenger vessel were just removed in December. Price reduced \$27K for everything. (727) 410-1000

(2) LUGGER 6125 w/ ZF 320A, 2:1 gears, strong engines, a deal @ \$25K, will demo, many spares. (850) 934-1743 or (850) 565-0586

[hogwildfishing@gmail.com](mailto:hogwildfishing@gmail.com)

(1) DETROIT 6V-92TAB, running take out, bobtail, \$6,500.00. (2) Detroit 6V-53 cores, \$3,200.00 pair. (2) Detroit 8V92TI, with Allison gears, 1.5 running take outs, \$29,500.00 pair. (2) Detroit 6-71 N, take outs, \$4,000.00 pair. (2) Detroit 16V 92TA for parts. (2) Cummins 6BTA 330 HP bobtail, rebuilt, \$17,500.00 each. Cummins 903 parts. (2) MAN 1300 HP, running take outs with Twin Disc MG5145 gears 1.75:1, \$65,000.00 pair. Florida Marine Tech (561) 844-7007

12 x MTU 16V2000 M84/ZF gearbox, unused 1650 KW with control equipment. Still in MTU original packaging. New 2013/2014. Phone: +44(141) 884-1282 Email: [alastairgram@craneandmachine.com](mailto:alastairgram@craneandmachine.com)

2 CATERPILLAR 3126, 420 HP rebuilt marine engines, all new fuel systems turbos, including starters, and alternators, T D gears available. (616) 299-3148

1 DETROIT V1292 TI 1100 HP - model 81227800 w/ Twin Disc - model DD232EV, 1.75, includes gear & trolling box actuators / wire harness, repower removals, approx. 2000 hr. on rebuilds. May separate gear box. \$10,000. Call (772) 475-4904.

2 X CAT 3508 B's, 1,050 HP @ 1,600 RPM, one very low hour on Cat rebuild, one high hours. Phone (978) 767-3489

Email: [jamesfsheehy@yahoo.com](mailto:jamesfsheehy@yahoo.com)

2 X CAT 3512 B marine keel cooled engines, 1,500 HP, one rebuilt, one high hours, can be brought to tier 3 compliant, price \$85,000 & \$40,000. Phone (978) 767-3489

Email: [jamesfsheehy@yahoo.com](mailto:jamesfsheehy@yahoo.com)

2 X CUMMINS 6BTA, 250 HP @ 2,600 RPM, very low hours, price each \$9,500. I have gears, all ratios to match. Phone (978) 767-3489

Email: [jamesfsheehy@yahoo.com](mailto:jamesfsheehy@yahoo.com)

8V-2000 MTU, 0 hours, rebuild by Detroit Diesel, 650 hp, \$19,000. Call (732) 768-7880 or

Email: [newbedfordauto@yahoo.com](mailto:newbedfordauto@yahoo.com)

**CATERPILLAR REBUILT Marine engines: All models: 3116's, 3126's, 3208's, 3196's 3412's OEM parts and warranty. (781) 837-5424**

[twindiscgears@verizon.net](mailto:twindiscgears@verizon.net)

DETROIT DIESEL 16V71. (831) 633-1345

Email: [haipdiesel@yahoo.com](mailto:haipdiesel@yahoo.com)

FORD LEHMANS 2715 E, excellent runner 200 hours 2714 E, excellent runner, Velvet Drive trans. Price reduced. Zach (330) 808-1321.

**CONTINUED ON PAGE 28**



**TAPPAN ZEE**  
CONSTRUCTORS, LLC

**Marine and Construction**  
**Equipment for Sale**  
Tarrytown, NY

www.tappanzeesales.com



**KOHLER**  
**Commercial Marine Generators**  
**Open - Frame and Keel Cooled Units**

MODEL	COST
9EKOZD	\$8,250.00
11EKOZD	\$8,785.00
13EKOZD	\$9,990.00
15EKOZD	\$11,100.00
20EKOD	\$12,800.00
23EKOD	\$13,725.00

**24 Hour Emergency Service!!**  
Monmouth Marine Engines, Inc.  
536 Union Lane • Brielle, NJ 08730  
Phone: (732) 988-0245 • Fax: (732) 988-0246

**ILLNESS FORCES SALE**



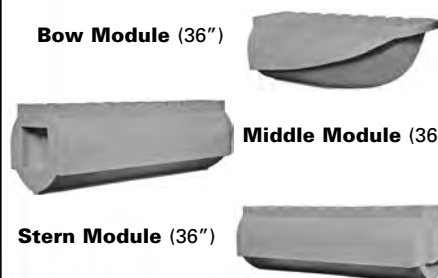
38' Jet Drive, Stokes Carolina Express, Twin 480hp Cummins QSB5.9M Engines, 6.5 KW ONAN Generator (Less than 150 hours on engines and generator), Hamilton Water Jets, Joy Stick Controls. **\$349,000.00**  
Contact: 614-296-3990 • ejkosnik@att.net

**Modular Plastic Pontoons**  
*The Best Idea Since the Indian Canoe*  
**36 and 24-inch Diameter Sizes**



The Alley Cat "Pilot House" Triple Tube 24" DIA

**NEW 36" DIA MODULES**



Wilson pontoons are used for pontoon boats, houseboats, barges, bridges, work boats, party boats, pumping stations—they're perfect for any application that uses pontoons. Features include:

- Molded from sturdy, medium density polyethylene (MDPE)
- Heavy-duty:** modules have 1/4" - 3/8" thick walls and are filled with closed cell polyurethane foam for greater structural stability—Wilson pontoons will withstand greater impact than aluminum pontoons
- Modular:** separate bow, middle, and stern modules allow for configurations of the most popular application sizes
- Rectangular collar has threaded stainless 3/8" molded inserts for quick attachment
- Maintenance free:** no bottom painting is needed—just pressure-wash to clean
- UV protected



2869 Charlevoix St.  
The Villages, FL 32163  
419-675-0002  
toll free: 877-456-2531  
email: info@wilsonpontoons.com

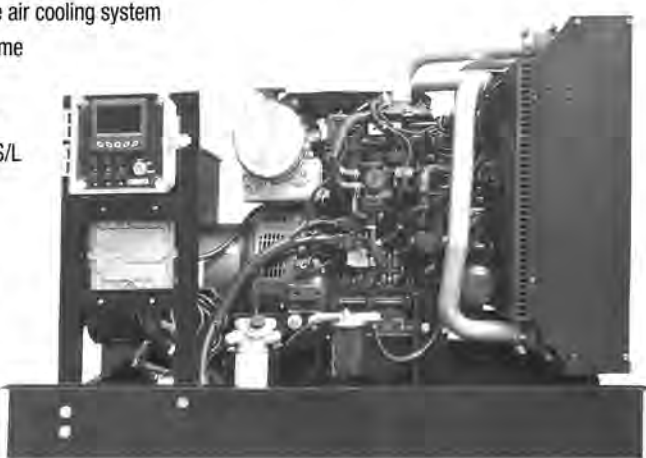
www.plasticpontoon.com

**Kubota**  
**Tier 4 Final Kubota Powered Industrial Diesel Generators**

- 1800 RPM Standard Equipment:**
- Kubota Tier 4 Final Diesel Engine
  - Epoxy-coated, brushless 1800 rpm generator
  - 12VDC starting and charging system
  - Murphy starting and monitoring system
  - DOC-only aftertreatment
  - Fuel filtration system
  - Fuel priming system with transfer pump
  - High ambient charge air cooling system
  - Heavy-duty steel frame
  - Vibration isolators
  - Dry-type air cleaner
  - Industrial muffler – S/L
  - Solid state AVR

*Southeastern Power Products is the*  
**Authorized KUBOTA Industrial Engine**  
*Distributor for the state of Florida,*  
*the Bahamas and the Caribbean.*

**Supplying genuine Kubota parts and**  
**factory remanufactured components.**



- Optional Equipment:**
- Enclosures
  - Fuel tanks
  - Auto start/stop
  - Transfer switches
  - Circuit breakers
  - Critical silencers
  - Battery, rack, cables

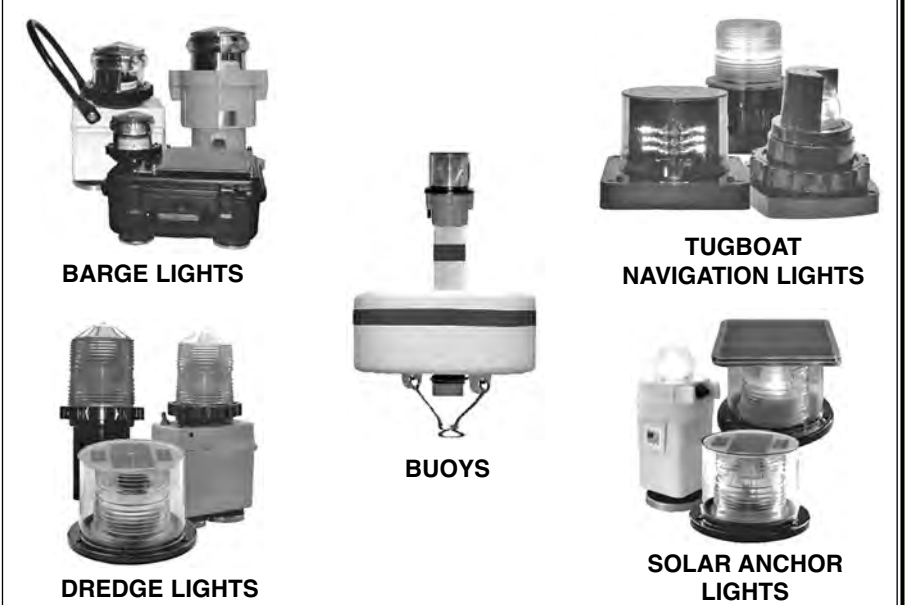
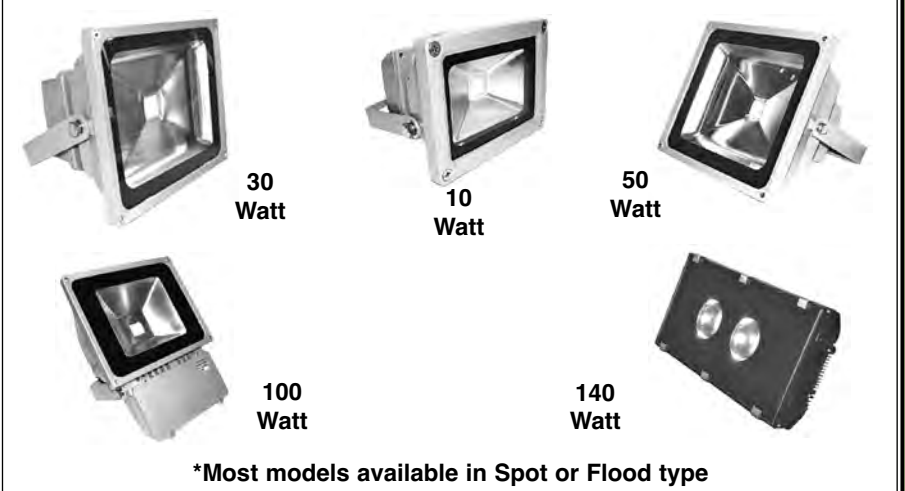
**20 kW – \$14,480**  
Kubota D1803BGCR

**30 kW – \$15,730**  
Kubota V2403BGCR

**SOUTHEASTERN POWER PRODUCTS**  
2880 Hammondville Road Pompano Beach, FL 33069  
Phone: (954) 979-5899  
Fax: (954) 979-4349  
www.southeasternpower.com

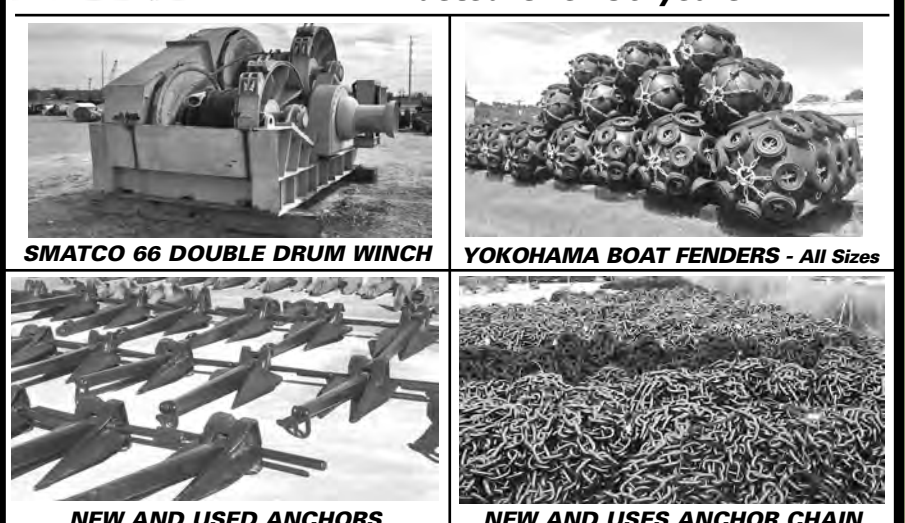
**McDermott Light & Signal**

Our LED Floodlights provide durability with a low amperage draw that maintains the lifespan of your alternator. Avoid Damaging your charging system by replacing your high power consumption halogen with our green, low-energy consumption LED lights.



**McDermott Light & Signal**  
718.456.3606 - www.mcdermottlight.com  
fishing@mcdermottlight.com

**BYRNE Rentals and Sales, LLC.**  
**Marine & Construction Supplies**  
**24 HR Phone (985) 702-9500**  
**Toll Free 1 (800) 99-BYRNE**  
**Trusted Over 30 years**



**BUILT TO ORDER CUSTOMIZED WINCHES AND PEDESTAL CRANES**



**SEAHORSE**  
**4 DRUM**  
**DIESEL POWERED WINCH**  
**MODEL WDW-100**

100,000 Lbs. S.L.P. 1 St Layer  
Holds 3,000 Ft. of 1-1/8" Cable  
**READY TO GO**

- |                  |                  |                |                 |
|------------------|------------------|----------------|-----------------|
| Snatch Blocks    | Swivels          | Pulling Blocks | Marine Fittings |
| Yokohama Fenders | Headache Balls   | Capstans       | Air Tuggers     |
| Shackles         | Marine Fairleads | Windlasses     | Winches         |
| Buckets          | Tow Plates       | Buoys          | Anchors         |
| Deck Blocks      | Generators       | Crane Blocks   | Ship's Chain    |
- www.BYRNERENTALS.com SALES@BYRNERENTALS.com

## Boats &amp; Harbors

**Maximize Your Profit - Minimize Your Cost!!**  
**CLASSIFIEDS**Experience  
The Selling Power of The  
Yellow Sheet!Place Your Ad (931) 484-8708 or Email: [Tlewis@boats-and-harbors.com](mailto:Tlewis@boats-and-harbors.com) • Fax: (931) 456-2337 • Submit Online: [www.boats-and-harbors.com](http://www.boats-and-harbors.com)

## ★ ENGINES FOR SALE

DETROIT DIESEL 12V92T. (831) 633-1345  
Email: [haipdiesel@yahoo.com](mailto:haipdiesel@yahoo.com)

CAT PAIR 3176-600 Marine, 400 hours TT from demo craft on Cat stands for shipping. All accessories included. \$15,000 each or \$28,000 for pair. (509) 654-6700

CATERPILLAR D-399, 16 cylinder turbocharged diesel engine, serial #91B407 Red Gear: Model 7261, Serial #89B195 4.2:1 forward reduction, 3.84:1 reverse. Great running condition, less than 5,000 hours. \$50,000 OBO. (757) 990-0033  
[timmullane@yahoo.com](mailto:timmullane@yahoo.com)CUMMINS B5.9 300 WG, Perkins 135, Perkins 240 WG, Cummins heat exchangers, Cummins 504/555 exhaust riser, stabilizer 3FT.  
[skipper@marine-consult.com](mailto:skipper@marine-consult.com)

CUMMINS NEW MARINE Long Blocks. Cummins new 6BT5.9 Marine Diamond series long block 280-370 HP in-line pump. CPL's 1975, through 8457. Cummins new 6BT5.9 marine long block 250-300 HP Nippondenso pump. CPL's 953, through 1928. (901) 833-1347

DETROIT DIESEL 12-V-71. 1,000 hours with rear PTO. Will start for buyer. \$10,000. (804) 761-0673

DETROIT DIESEL 8-71 with T.D. 512, 1.5:1 gear, running take out. Detroit Diesel 3-71, running take out. (860) 848-3032

DETROIT DIESEL 12V149T. (831) 633-1345  
Email: [haipdiesel@yahoo.com](mailto:haipdiesel@yahoo.com)**EIGHT (8) NEW CATERPILLAR C8.7 650 MHP, tier 3 recreational compliant, 2300 RPM, "E" rating, \$46,500 each. Call Ring Power: Lyndon Schultz (904) 494-1278 or Victor Flores (904) 494-7311.**DETROIT DIESEL 16V149N. (831) 633-1345  
Email: [haipdiesel@yahoo.com](mailto:haipdiesel@yahoo.com)EMD 16-645 MARINE'S roots blown 12-645E2 marine. Good condition. Also: FALK-Reintjes reduction gears. Buddy Garrett (662) 347-4869  
[buddyinc1@yahoo.com](mailto:buddyinc1@yahoo.com)DETROIT DIESEL 8V92TI. (831) 633-1345  
Email: [haipdiesel@yahoo.com](mailto:haipdiesel@yahoo.com)**SIX (6) NEW CATERPILLAR C7 320 MHP non tier compliant engines, for export only, \$18,500 each. Call Ring Power: Lyndon Schultz (904) 494-1278 or Victor Flores (904) 494-7311.**CUMMINS 6BTA 315HP Marine. (831) 633-1345  
Email: [haipdiesel@yahoo.com](mailto:haipdiesel@yahoo.com)**KEY POWER SYSTEMS DDC/MTU, CAT, Cummins. Surplus new, used, rebuilt. Many models avail. Your source for all your engine needs. Many So. Fla. yacht repower removals. ZF Twin Disc & Allison gears avail. Contact Mike Cobb TL Free (888) 463-0099.  
E-mail: [kpsi1@msn.com](mailto:kpsi1@msn.com)  
[keypowersystems.us](http://keypowersystems.us)**CUMMINS 6BT 210HP Marine. (831) 633-1345  
Email: [haipdiesel@yahoo.com](mailto:haipdiesel@yahoo.com)

PAIR 12 VALVE CUMMINS, 300 hp, 6BTAM2, less than 500 hrs in. 34 Hatteras with 1.5 ZF gears. Will sell all or part out. \$35K OBO. (410) 446-3753

CUMMINS 6BTA 370HP. (831) 633-1345  
Email: [haipdiesel@yahoo.com](mailto:haipdiesel@yahoo.com)CLEAN OUT YOUR STORAGE TODAY!  
Sell it in Boats & Harbors! Call us today at (931) 484-6100 or place your ad online at [www.boats-and-harbors.com](http://www.boats-and-harbors.com)

Pair 3406 DITA 402 HP &amp; rebuilt 3208TA 435 HP. Call (781) 837-5424.

VOLVO KAD44, 260 HP, 1,200 hours, runs perfectly, video available, great deal on like new engine, \$9,000. (410) 726-6792  
[ocparasail@aim.com](mailto:ocparasail@aim.com)PAIR OF DETROIT 12V/92 TI's, 1,030 HP @ 2,300 RPM, HE cooled, running good when removed, price each \$7,000. Phone (978) 767-3489  
Email: [jamesfsheehy@yahoo.com](mailto:jamesfsheehy@yahoo.com)PERKINS DIESEL TV8.50M, pair V8, turbos, 1983, 2,500 hrs, run real good, still in boat operating, fresh water rinse system, 340 HP @ 2,600 RPMS, complete with Twin Disc trans, video available. \$9,000 for both. (727) 452-8539  
[lcampi3024@aol.com](mailto:lcampi3024@aol.com)CUMMINS QSB 380HP. (831) 633-1345  
Email: [haipdiesel@yahoo.com](mailto:haipdiesel@yahoo.com)

REBUILT DETROIT DIESEL Engines - 4-71's, 6-71's, 8-71's, 8V92's, 12V71's. Marine, industrial or automotive. Power units. Also Allison or Twin Disc marine gears. A complete line of Cummins parts and engines. We are authorized Detroit and Cummins "Dealers". For more information contact Johnson's Diesel Service, Inc., at (228) 392-1311 or 12262 Parker Creek Road, Biloxi, MS 39532. Fax number (228) 392-0096. Special discounts for large quantity orders. We have a full inventory of rebuilt engines ready for delivery.

CUMMINS QSB 425HP. (831) 633-1345  
Email: [haipdiesel@yahoo.com](mailto:haipdiesel@yahoo.com)**TWO (2) CATERPILLAR C32 marine engines. 1,800 HP, heat exchanger cooled, throttle position sensor, Ring Power warranty, \$118,600 each. Call Ring Power: Lyndon Schultz (904) 494-1278 or Victor Flores (904) 494-7311.**

VOLVO PENTA KAMD300 diesel, runs good, 2,400 hrs. Complete with dash, wire harness, controls, etc. \$7,000.00, negotiable. Many extras / parts. (917) 599-8363

TWIN DISC MG5091 1.74:1. (831) 633-1345  
Email: [haipdiesel@yahoo.com](mailto:haipdiesel@yahoo.com)

DO YOU NEED MONEY? Convert that surplus marine item into cash by means of a classified ad in Boats &amp; Harbors.

VOLVO TAMD 72A, two running takeouts, as well as new and used parts. For info and pricing, call (305) 360-1360.

CUMMINS 6BTA 330HP. (831) 633-1345  
Email: [haipdiesel@yahoo.com](mailto:haipdiesel@yahoo.com)WILL BE REMOVING a Good Running Cummins QSM11 in the next 30-60 days. Vessels Port engine failed and will be replaced with new. Starboard engine is in good condition with recent cooling system service and maintenance records. Come see it and hear it run before it's removed. Owners have opted to repower with all new equipment. Photos available upon request. Vessel is located Newport Beach, California. Starboard engine has roughly 4,000 hours. Starboard engine \$25,000.00 OBO. Port engine available as a rebuildable core. Price TBD. (949) 336-0282  
[marinedieselservices@outlook.com](mailto:marinedieselservices@outlook.com)

## ★ ENGINES WANTED

ALWAYS BUYING Caterpillar, Cummins and Detroit Diesel engines any condition. Matt / Randy (307) 885-4724.

DET., CAT., CUMM., Always buying complete engines or good cores. Large export demand. Call Mike Cobb @ Key Power Sys. (888) 463-0099 or Fax (954) 927-6621.  
[kpsi1@msn.com](mailto:kpsi1@msn.com)

WANTED: ALL CAT Engines and gen sets, especially marine 3408 &amp; 3412 and industrial &amp; gen set, 3406, 3408, 3412, 3512 and 3516. Also, natural gas Cat &amp; Waukesha. We pay top \$. Kris Davenport phone (602) 333-5619 or fax (602) 333-5618.

## ★ ENGINE PARTS FOR SALE

CASTING / MACHINING, If it's broken we can mfg. a new one. Heads, blocks, manifolds, gears, bell housing, pumps, bronze plaques, hard to find gaskets. Other cast items mfg'd, on request. EMI, 13451 Montana Ave, El Paso, TX 79938 USA. Ph. (915) 856-9607, Fax No. (915) 856-9637.  
E-mail: [info@empiremotorsinc.com](mailto:info@empiremotorsinc.com)

CUMMINS DIESEL Parts - Used, rebuilt, new VT8370M, V8300M, V903M, V555M. Phone: (954) 321-6863

NEW AND USED Detroit Diesel Engine Parts, S53, 71, 92 and S60, heads, blower, blocks, cylinder kits, injectors, manifolds, raw water pumps, fresh water pumps, fuel pumps, intake silencers and much more. Leid Diesel Service, 2952 West Carson City Road, Sheridan MI. 48884, (616) 754-5871, Fax (616) 754-8359,  
Email: [timothy@leiddiesel.net](mailto:timothy@leiddiesel.net)**DIESEL ENGINE PARTS, Alco 539, 244, 251, Fairbanks, Cleveland, G.E., many others. Vintage 1940's, 1950's, 1960's, etc... Striegel Supply Inc. (425) 423-9100  
[ssiwa@frontier.com](mailto:ssiwa@frontier.com)**TURBOCHARGERS!!! One Year warranty. Cat, Cummins, Yanmar, Perkins, Det. Diesel, Volvo, MTU, ABB, MAN, EMD. Int. Sales & Service. KKK, Rajay. (305) 743-2920  
[ramturbo@bellsouth.net](mailto:ramturbo@bellsouth.net)

VOLVO PENTA CYL. Heads series 41, 42, 43, 6 cyl. inline diesel. New, 3 available. No valves installed. \$500.00 ea. (757) 287-7580

## ★ JET DRIVES FOR SALE

HAMILTON JET DRIVE model #274, low hrs, comes w/ 4ft drive shaft, \$9,500.00 or BO. (978) 270-4494

JET 450 18" Marine White Water Jet can push 36,000 lbs of water. Still in good condition. \$20,000 OBO. (907) 435-7230

## ★ GEARS FOR SALE

REBUILT TWIN DISC MG502-540's. All models and ratio's. MG 527, 5.17:1's. Used parts & gears. (781) 837-5424  
Email: [twindiscgears@verizon.net](mailto:twindiscgears@verizon.net)

(2) ZF 301C SAE 3, ratio 1.407, 0 hours but need rebuild, got wet. Call (508) 737-5900.

TWIN DISC MG514B 5:1. (831) 633-1345  
Email: [haipdiesel@yahoo.com](mailto:haipdiesel@yahoo.com)

2 V DRIVE DD-5112AC, ratio 1.52.1 Twin Disc, never used. Frank at (727) 742-4041

(2) ZF 550A, 1.75, #1 housing \$9,500.00 each. (1) ZF BW165, rebuilt with warranty, 1.5 #1 housing, trolling valve, \$5,900.00 OBO. (1) ZF BW165 take out 1.5, #1 housing, \$4,600.00. (2) ZF BW 195A, 1.75 T.V., #1 housing, \$9,500.00. (2) ZF BW 195, 1.5, #1 housing, \$6,500.00 each. (2) Twin Disc MGNV 232 E, 1.5 #1 housing, trolling valves, \$5,900.00 each. (1) Twin Disc MG-506, 2:1, #3 housing, \$2,500.00. (2) Twin Disc MG 509-1, 2.0 #2 housing, \$4,750.00 each. (1) Twin Disc MGX 6599A, 2.48 #1 housing, \$16,000.00. (1) Twin Disc 5111A, 2.1, #2 housing rebuilt, \$6,500.00. (2) Twin Disc MG 5111, 1.74:1, #2 housing, trolling valves, \$9,500.00 pair. (2) Twin Disc MG 510A, #2 housing, 1.5, \$8,000.00 pair. (1) Allison M20L, \$2,500.00. (1) Borg Warner Velvet Drive, rebuilt 1:1, \$1,200.00. (1) Capitol 25,000, 2:1, \$7,500.00. (1) Capitol 24,000, 2:1, \$6,500.00. (2) Capitol 10,200, 1:5, \$2,500.00. Florida Marine Tech (561) 844-7007

PLACE YOUR CLASSIFIED TODAY! Call us at (931) 484-6100 or place order online [www.boats-and-harbors.com](http://www.boats-and-harbors.com)CATERPILLAR 3208T with ZF transmission. (831) 633-1345  
Email: [haipdiesel@yahoo.com](mailto:haipdiesel@yahoo.com)BRAND: CATERPILLAR, Model: 3116, Static fuel: 8.42mm, Rated: 350 HP, 261.0 KW, At. 2,800 Rpm, Fuel torq.: static fuel, Fuel timing: 63.83 mm Alf ratio dynamic, engine high idle: 3,095 Rpm. Set of 2 for \$3,000 (1 for \$1,800). (787) 342-1618  
[Yilmaliasuarez@yahoo.com](mailto:Yilmaliasuarez@yahoo.com)CATERPILLAR 3208N with ZF transmission. (831) 633-1345  
Email: [haipdiesel@yahoo.com](mailto:haipdiesel@yahoo.com)**TWIN DISC GEARS: New, surplus, rebuilt. OEM warranty, all models, dealer pricing. (781) 837-5424  
Email: [twindiscgears@verizon.net](mailto:twindiscgears@verizon.net)**TWIN DISC MG509 3.83:1. (831) 633-1345  
Email: [haipdiesel@yahoo.com](mailto:haipdiesel@yahoo.com)CALL FOR BEST PRICING on ZF, Twin Disc, Allison, and Capitol marine gears, new, used, or rebuilt. Contact: Mike Cobb @ Key Power Systems (888) 463-0099, Fax (954) 927-6621  
[kpsi1@msn.com](mailto:kpsi1@msn.com)**CAPITOL MARINE GEARS and parts, HY22000, 4HE10200, 4HE12400. All models. (954) 321-6863**TWIN DISC MG521 4:1. (831) 633-1345  
Email: [haipdiesel@yahoo.com](mailto:haipdiesel@yahoo.com)

PAIR ZF220A 1.5:1 Troll, 450 hrs from new. Twin Disc MG514C 3.5:1, MG507-1 any ratio. Call (781) 837-5424.

TWIN DISC MG514B 6:1. (831) 633-1345  
Email: [haipdiesel@yahoo.com](mailto:haipdiesel@yahoo.com)ONE ZF IRM 220 A, ratio 1.235-1, with drive plate, new surplus, call for other gears ratios to 7-1 and 3,000 HP, \$2,200. Phone (978) 767-3489  
Email: [jamesfsheehy@yahoo.com](mailto:jamesfsheehy@yahoo.com)TWIN DISC MG512 2:1. (831) 633-1345  
Email: [haipdiesel@yahoo.com](mailto:haipdiesel@yahoo.com)TWIN DISC MG5091 3.38:1. (831) 633-1345  
Email: [haipdiesel@yahoo.com](mailto:haipdiesel@yahoo.com)

(4) ZF BW 1,200 H22, 1.25 ratio, (2) left, (2) right, 3,000 HP, \$27,500 for all. (443) 752-3327

OPPORTUNITY KNOCKS: Advertising your vessels or equipment in Boats and Harbors will put your business ahead of the game! With Both Print and Online Editions Boats and Harbors can place your classified ad in front of thousands of loyal buyers. Call Now 931-484-6100 or  
Email: [tlewis@boats-and-harbors.com](mailto:tewis@boats-and-harbors.com)TWIN DISC Direct Replacement Gears: MG 509, MG514, MG516, MG5170 MG5135, MG5222 & others at half the cost. C & B pad LPTO drives. Trolling valves. Full factory warranty. Call (781) 837-5424 or  
Email: [twindiscgears@verizon.net](mailto:twindiscgears@verizon.net)TWIN DISC MG509 1.5:1. (831) 633-1345  
Email: [haipdiesel@yahoo.com](mailto:haipdiesel@yahoo.com)**RMI services.com (504) 347-4361 New Orleans, LA. Twin Disc: all torque converters CF 10,000 Series; gears (MG509, 512, 514, 520, 521, 527, 540) all ratio, exchange or outright! Free tear down with itemized rebuild quote, don't be fooled by half rebuilders.**ZF280A 2.5:1. (831) 633-1345  
Email: [haipdiesel@yahoo.com](mailto:haipdiesel@yahoo.com)

TWIN DISC MARINE Gear MGX5600 4.03:1 ratio. Call for price. (504) 737-1600

TWIN DISC MG506 3:1 right hand and left hand, MG509 2:1, MG514 5:1, MG514 6:1 and MG5050A 1.5:1. We overhaul, sell parts and buy old cores. (409) 682-5118, (409) 256-6066  
[Twin\\_clutch@yahoo.com](mailto:Twin_clutch@yahoo.com)

TWIN DISC PAIR of running take outs. MG-507 1:1. Approx 5,500 hrs, \$4000.00. (386) 931-8368

GEARS FOR SALE, Twin Disc, ratio 1:2. One has 3,300 hours on it, still very good condition. \$9,000 OBO. (907) 435-7230

TWIN DISC, PAIR, MG507-1 straight gears. 1.51-1 gear ratio, (1) left, (1) right. Factory remanned. (1) \$5,000.00 each, both \$9,500.00. David (904) 262-2869

ZF220A 2.5:1. (831) 633-1345  
Email: [haipdiesel@yahoo.com](mailto:haipdiesel@yahoo.com)VELVET DRIVE By Borg-Warner, Hurth, Capitol, Paragon, Twin Disc, Newage, Walter, Crusader V-drives, BPM, PCM & ZF, large inventory of new & rebuilt units. Complete repair facility with factory trained technicians! Transmission Marine, Inc. (800) 462-8848 ext. 427  
Visit: [www.marinegears.com](http://www.marinegears.com)

VELVET DRIVE TRANSMISSION, 5000 series, 2.04/1, 8 degree look down, &lt;200 hrs., pick up or pay shipping. Price \$1,000. Long Island. Call (631) 728-8775

ZF63A 2:1. (831) 633-1345  
Email: [haipdiesel@yahoo.com](mailto:haipdiesel@yahoo.com)

CONTINUED ON PAGE 30



**MARINE EXHAUST SYSTEMS  
OF ALABAMA INC.**

P. O. Box 698  
757 Nichols Ave  
Fairhope, AL 36533  
1-251-928-1234 Phone:Fax  
Mesamarine@Earthlink.net  
http://www.mesamarine.com

**EXHAUST PARTS FOR CATERPILLAR 3054, 3056**

3208, 3304, 3306, 3406, 3408, 3412, D333, D337, D342, G342, D343, D348, 353, 379, 398, 399, D1300 **CUMMINS** 4B, 6BT, 6CT, 470M, 504M, 555M, 370M, 903M, L-10, 743, 855, 855 A/M, KT1150, **ONAN** V549, 7.5L 460 **DETROIT** 12V71/92, 16V71/92, 12V149N, 12V149T, 16V149N, 16V149T **ISUZU** 3KC1, 3KR1, 4BD1, 6BD1, QD145 **PERKINS** 104-19, 4.108, 4.236, 6.354N, 6.354T, 8.54, 510 **ISOTTA FRASCHINI** 1308 **SUPERIOR** 8G825 **GUASCOR** SF180, SF240 **MACK** E7, E9 **KUBOTA** D1105B, V2203 **WAUKESHA** 1197/WAK6, 145/F817, L1616, 140/F554, 6NKR/1905 **DAEWOO** DC 24 **HERCULES** GTA48, D3000, LDT465 **KOMATSU** SA6170 and MANY MANY MORE. We can also duplicate and pattern your old or obsolete parts for individual purchases, bulk quantities or OEM. Please call, fax, write, or e-mail any and all inquiries regarding water cooled manifolds, hoses, mufflers, heat exchangers, collectors, wet ells, risers, transom ports, and everything in between.



**HIGH SPEED CATAMARAN FOR CHARTER**

**New 150 Passenger  
Ava Pearl  
Trim Tab Ride  
Control System**

**Gladding-Hearn "INCAT" high-speed ferry is available for Charter with crew beginning September 2015 through May 2016.**

**AVA PEARL** - 150 Passengers, two levels, 2 restrooms, 5 Flat Screen TV's, full AC or heated climate controlled Business-Class interior and features the latest MDI Trim Tab Ride-Control System. This ferry is powered by (2) MTU 12V4000 M53 engines and (2) ZF Propellers. Service speed is 29.5 kts. fully loaded with luggage - top speed 30 kts. If you are looking for a reliable fast ferry that has a proven track record to supplement your fleet or start up a new service call Rhode Island Fast Ferry. We also offer various fast ferry Consulting Services as well.

**Charles A. Donadio 401.255.9118 or email charlie@vineyardfastferry.com**

**CLOSING DATES • THIRD FEBRUARY ISSUE 2017**

<b>FOR DISPLAY</b> February 13th, 2017 9:00 A.M. C.S.T	<b>To Be Mailed</b> February 17th, 2017	<b>FOR CLASSIFIED</b> February 16th, 2017 10:00 A.M. C.S.T
--	--	--

**50' Magnum, Solid Hull, Intermarine Don Aranow Design. No Engine, All Running Gear, Outside Rudders, Interior Nice, The Bow Has Crew Quarters. 5 Tanks, 1000 gal Fuel. (727) 345-4500**

**600 HP Work Boat For Sale**

Built by Inland Marine, Year 1997, Two Detroit 8V71 Engines Rebuilt 2016, Hull and Keel Cooler Rebuilt 2016, Two 10 ton winches, Two propellers 36", Two 10' push knees.  
**\$125,000.00 USD • (786) 991-6875  
www.imtglobalsolutions.com**

**"EQUIPMENT  
DETAILS ARE ON  
WEBSITE"**  
[www.triplecmarine.com](http://www.triplecmarine.com)

**1, 2 & 3 Drum Friction Winches,  
2 Ea. Clyde Frame 8 Double Drum,  
American 55B, 70B, 90B, 120B.**

**2 Ea., 38" Westec Power Blocks  
\$30,000 Ea.**

**TRIPLE "C" MARINE**  
PO Box 885  
Morgan City, LA 70381-0885  
**Phone: 985-384-9517  
www.triplecmarine.com**

**SERVING THE MARINE AND OIL INDUSTRY  
FOR OVER 50 YEARS**

**ANCHORS  
CHAIN  
CONN. LINKS**

**FENDERS  
CHOCKS  
BITTS**

**KEVELS  
DOORS  
HATCHES**

**FAIRLEADS  
CAPSTANS  
WINCHES  
WINDLASSES**

*Detachable Conn. Links  
Kenter Joining Links  
Anchor Joining Links  
Towing Plates*

*We Are Direct Importers  
and Factory Distributors*

*Gigantic Inventory  
New & Used  
In Stock Now on the  
West and Gulf Coasts*

**Exclusive Distributors for**  
**ACSA**  
Products  
Anchors • Chain • Hardware • Fittings  
[www.watermansupply.com](http://www.watermansupply.com)

**WATERMAN  
SUPPLY CO., INC.**  
910 Mahar Ave.  
P.O. Box 596  
Wilmington, CA 90748  
800-322-3131 • (310) 522-9698  
Fax: (310) 522-1043

**Call Toll-Free  
(800) 322-3131**

Boats &amp; Harbors

**CLASSIFIEDS**Experience  
The Selling Power of The  
Yellow Sheet!Place Your Ad (931) 484-8708 or Email: [Tlewis@boats-and-harbors.com](mailto:Tlewis@boats-and-harbors.com) • Fax: (931) 456-2337 • Submit Online: [www.boats-and-harbors.com](http://www.boats-and-harbors.com)

## ★ GEARS FOR SALE

TWIN DISC & ZF, new or rebuilt, all models, OEM warranty. Torsional couplings and coolers. (781) 837-5424  
Email: [twindiscgears@verizon.net](mailto:twindiscgears@verizon.net)

## ★ GEAR PARTS FOR SALE

ALLGIRE FOR SALE. Parts and service on Allgire boat drive units. Call for pricing. (337) 334-5117 or  
E-mail: [marvinsengine@bellsouth.net](mailto:marvinsengine@bellsouth.net)

LARGE INVENTORY of new, used, obsolete & rebuilt transmission parts & related accessories, stocking: dampers, couplings, oil coolers, heat exchangers, suresdrives, & Globe impellers, mounts & drivesavers. Up to 50% off on used items. Transmission Marine, Inc. (800) 462-8848 ext. 435  
Visit: [www.marinegears.com](http://www.marinegears.com)

TWIN DISC PARTS, Transmissions, PTO's, torsional couplings, coolers. (781) 837-5424  
Email: [twindiscgears@verizon.net](mailto:twindiscgears@verizon.net)

## ★ GENERATORS FOR SALE

(1) DETROIT DIESEL 8V-71 100 kW generator, 1200 RPM, Marathon end. (3) Detroit Diesel 6-71 60 kW generators, 1200 RPM, brushless ends. Call (860) 848-3032

NEW REPLACEMENT MARATHON Generator ends in stock, all sizes. Call Ring Power Cat: Lyndon Shultz (904) 494-1278, Victor Flores (904) 494-7311

(1) ONAN 6500 RV gas unit, 2,800 hours, \$1,600.00. (1) Onan MDKBF 27.5, 24 volt, \$9,800.00. (2) Onan MDKBR 21.5, 24 volt, \$9,300.00 each. (1) Kilo Pak 27 KW, \$6,500.00. (1) Kilo Pak 27 KW, running takeouts, \$6,900.00. Florida Marine Tech (561) 844-7007

LOW HOUR QUALITY Pre-owned CAT diesel generator sets and other. Call Ring Power Cat: Lyndon Shultz (904) 494-1278, Victor Flores (904) 494-7311

8KW WESTERBEKE DIESEL Generator with only 20 hours total. Just completed full service and runs great. Asking \$4,500, in Ocean City, MD. Call Lee @ (410) 213-1000 or (410) 726-2612.

3.71 MARINE GENSET 30kW. (831) 633-1345  
Email: [haipdiesel@yahoo.com](mailto:haipdiesel@yahoo.com)

ONE (1) PRE-OWNED CATERPILLAR 29 kW, C2.2 Marine Genset, 240V phase 1, elec governor, heat exchanger cooled, \$6,500. Call Ring Power: Lyndon Schultz (904) 494-1278 or Victor Flores (904) 494-7311.

BOAT GENERATOR REBUILDERS. Sale, service and repair. (844) GEN-KING. All brands available. Nationwide delivery. 3-100 KW. Load bank tested with warranty.

ONE (1) NEW CATERPILLAR 275 kW SR4B Prime Power Marine Generator, \$15,800. Call Ring Power: Lyndon Schultz (904) 494-1278 or Victor Flores (904) 494-7311.

471 100KW. (831) 633-1345  
Email: [haipdiesel@yahoo.com](mailto:haipdiesel@yahoo.com)

ADVERTISING WITH US is easy as 1, 2, 3. Give us a call! (931) 484-6100 or see us on the web at  
[www.boats-and-harbors.com](http://www.boats-and-harbors.com)  
to place display or classified ad.

CUMMINS 6BT 5.9 G2 M marine generator, 95 kW, \$6,500. 2 each. (423) 394-9283 or (423) 883-4696

DETROIT MARINE 6-71, assembled 84-85, 2.7 hours, coupled to 100 KW Delco, 460 volts brushless generator, \$15,000. Crating available. (207) 214-2710

TWO (2) NEW CATERPILLAR 113 kW SR4B Prime Power Marine Generator, \$24,500 each. Call Ring Power: Lyndon Schultz (904) 494-1278 or Victor Flores (904) 494-7311.

FOR SALE (2) 4045DFM70 - 45 kW generators, running take outs, 1 Marathon End, 1 Magna Plus, end keel cooled set up. Located in NC. For info, call (252) 241-2649.

40KW NORTHERN LIGHTS Marine Genset. (831) 633-1345  
Email: [haipdiesel@yahoo.com](mailto:haipdiesel@yahoo.com)

YOU MAY HAVE THE MARINE item someone is looking for! List it in Boats & Harbors today! Call (931) 484-6100 or place your ad online at  
[www.boats-and-harbors.com](http://www.boats-and-harbors.com)

65KW NORTHERN LIGHTS Marine Genset. (831) 633-1345  
Email: [haipdiesel@yahoo.com](mailto:haipdiesel@yahoo.com)

LARGEST STOCK DETROIT 2-71 generators and parts in the whole world. Emerson & Matkin "The Deuce" 1-(800) 387-4972 (208) 234-4436  
[www.deucepower.com](http://www.deucepower.com)

20KW NORTHERN LIGHTS generator, radiator cooled. (831) 633-1345  
Email: [haipdiesel@yahoo.com](mailto:haipdiesel@yahoo.com)

(2) CATERPILLAR SR4B Prime Power Marine Generators. Single bearing, 12 lead, 386 frame, arrgt. 4424741, housing SAE 1. Ring Power warranty. Call Ring Power, contact Lyndon Schultz (904) 494-1278 / Victor Flores (904) 494-7311.

6KW KOHLER GENERATOR, radiator cooled, about 500 hours. (831) 633-1345  
Email: [haipdiesel@yahoo.com](mailto:haipdiesel@yahoo.com)

105KW 3304 CATERPILLAR Marine Genset. (831) 633-1345  
Email: [haipdiesel@yahoo.com](mailto:haipdiesel@yahoo.com)

VOLVO PENTA 250 kW 500 hours MOD: TID121KGP. Ready to go, runs perfectly. Will sell engine separately. Zach (330) 808-1321.

55KW 330C CATERPILLAR Marine Genset. (831) 633-1345  
Email: [haipdiesel@yahoo.com](mailto:haipdiesel@yahoo.com)

## ★ PROPELLERS FOR SALE

(1) LH 36 x 36 x 3 MICHIGAN HY-TORQUE propeller. Light use as a spare, \$2,600.00. (508) 748-1036

4 BLADE 56Dx56PSO4 Props available. Never been swung, removed from decommissioned tug in 2016. Located West Palm Beach, FL. \$12,500 each. (561) 718-3677  
Email: [vancecocj@gmail.com](mailto:vancecocj@gmail.com)

BEST BRONZE PROPELLERS. Sick of pitted and pink props after one season? Ours hold the pitch longer and recondition more times than brand name props you have been buying and reconditioning every year for the few years they last. (781) 837-5424 or  
Email at: [twindiscgears@verizon.net](mailto:twindiscgears@verizon.net)

MARINE PROPELLERS Used & reconditioned. Aluminum / Bronze / Nibral / SS. From 12" - 60". 2, 3, 4, 5 blades. Sausalito, Calif. (415) 601-7858

NEW AND USED Propellers for sale. Large inventory available in BRZ, Nibral, and stainless steel. New nozzles also available. Call Texas Wheel Works, Inc. (800) 238-9402 or Fax: (409) 984-5690

NEW AND USED Propellers. Call for availability and pricing. Best prices and service. Various sizes, styles & metals. Used and reconditioned. Johnny's Propeller Shop. (985) 384-6940

NEW PROPELLERS For Sale. Speed, high thrust, trawler, ship, Kaplan, and other styles. Bronze, Nibral & Stainless. 24" to 190" dia. Lowest prices guaranteed! Contact Ahoy Marine at (504) 367-5710 or  
Visit: [www.ahoymarine.com](http://www.ahoymarine.com)

OVER 1000 USED Propellers. See listings w/photos at [www.fjprop.com](http://www.fjprop.com). Largest inventory of new propellers. Frank & Jimmie's Propeller 1-(800) 228-6077

PROPELLERS AND NOZZLES, Various conditions and metals 18" to 180". Best buys. Spirit Marine (337) 839-2468, Fax (337) 839-2470  
Email: [ken@spiritmarine.org](mailto:ken@spiritmarine.org)

## ★ PROPELLERS WANTED

PROPELLERS WANTED 20" and up any condition or metals. (337) 839-2468 or  
Email: [ken@spiritmarine.org](mailto:ken@spiritmarine.org)

PROPELLERS WANTED: 26" and up. Any material. Please call Texas Wheel Works, Inc. (800) 238-9402 or Fax: (409) 984-5690

WE BUY PROPELLERS. Any material or condition. 20" and up. Johnny's Propeller Shop. (985) 384-6940

## ★ PROPELLER SHAFTING FOR SALE

ABSOLUTE BEST PRICING: Aquamet HS Shafting and Dynatorc Props. (781) 837-5424

BOAT SHAFTING 3/4" to 29" diameter, various lengths and metals. (337) 839-2468

BOAT SHAFTING, Up to 6", bar stock or machined as required, will ship worldwide. Lauderdale Propeller, deep discounts. (800) 329-7767

SHAFTING, ALL SIZES, bar stock or machined. Best pricing. Frank & Jimmie's Propeller 1-(800) 228-6077

## ★ PUMPS FOR SALE

DARLEY MODEL LSF 1000 bronze 6 inch pump. Front mounted. Built in 1990 and never used. All documentation in hand. \$18,000 new. Asking \$12,500. Cell (631) 478-5124  
[joe3@seatow.com](mailto:joe3@seatow.com)

GORMAN RUPP T8A3-B, 8-inch self priming pump, diesel, skid-mounted, newly rebuilt, 910 hours, excellent, \$8,500 OBO. (801) 870-5848

## ★ PUMPS &amp; MOTORS FOR SALE

ALLIS CHALMER 10 x 8 x 21 SRL-C pumps with motors (4 available), \$2,000.00 each. PettiBone 8M024 slurry pump, \$2,000.00. Thomas dredge pump with motor, 8 x 10 H-30, \$7,500.00. For more info, contact (616) 836-7860  
Email: [ecodemolition@yahoo.com](mailto:ecodemolition@yahoo.com)

YOU MAY HAVE THE MARINE item someone is looking for! List it in Boats & Harbors today! Call (931) 484-6100 or place your ad online at  
[www.boats-and-harbors.com](http://www.boats-and-harbors.com)

## ★ DIVING SERVICES

DIVING SERVICE, ANYWHERE, specializing industrial plants, safe, experienced, insured, 37 years same ownership. (337) 286-5565  
[www.dickandsonsdiving.com](http://www.dickandsonsdiving.com)

## ★ DIVING EQUIPMENT FOR SALE

HULL SCRUBBERS & Dive Compressors. We manufacture, you save. Armada Systems. USA. Phone (850) 912-8962, Fax (850) 912-8965  
Email: [armadahull@aol.com](mailto:armadahull@aol.com)  
Website: [armadahull.com](http://armadahull.com)

## ★ BOAT HANDLING EQUIPMENT FOR SALE

1981 ACME MARINE Travel Lift for sale. In great operating condition currently in use at Dana Point Shipyard. 300 cubic inch, 6 cylinder, gasoline Ford engine. Inside clear height is 26'. Inside clear width is 25.9' with a 76.5" removable center beam. Without center beam, inside clear width is 19.5'. Lifting capacity is 50GT. Asking \$50,000 OBO. Lift will be available on February 10th. For additional information, please call Steve Morris at (949) 542-3368 or call our office at (949) 661-1313 and ask for Steve.

60 BFM MARINE TRAVELIFT 1991. Excellent condition. Stored inside, government owned first twenty years, only 3,000 hours on John Deere. No salt water corrosion, Maryland machine. 23' ICH, 22'. Boatyard owned. Dave (410) 336-4242

HOSTAR - HYDRAULIC Trailers new and used, road / yard. Boat stands, dollies. (800) 783-9303, (508) 295-2900, Fax (508) 295-2922  
[www.hostarmarine.com](http://www.hostarmarine.com)

MARINE TRAVELIFT, 15 AMO (15 ton capacity), 1984, 13'8" ICW (extra width available), 18' ICH, hydraulic jib crane, rebuilt trunnion pin, hydraulic cylinders, steering pins / bushings, great condition, ready to work, available immediately. \$29,500 OBO. Kendrick Equipment (866) 744-9921  
[dave@kendrickequipment.com](mailto:dave@kendrickequipment.com)

TWO MARINE TRAVELIFTS For Sale. 1990 70 BFM (\$100,000) and 1977 30 AMO (\$25,000). Both well maintained with 18'-8" ICW. For additional details, call (251) 987-1696 or  
Email: [Charlesj@gulfnet.com](mailto:Charlesj@gulfnet.com)

USED 150 TON TRAVELIFT 150AMO, new tires, new slings, excellent, \$250K. Visit <https://youtu.be/RRMdk4w2DQw>  
Or Email: [info@gantrytrading.com](mailto:info@gantrytrading.com)

USED MARINE TRAVELIFT boat hoists for sale. Call (781) 347-1201 or go to [www.walterco.com](http://www.walterco.com) for listings.

## ★ BOAT HANDLING EQUIPMENT WANTED

TRAVEL HOIST WANTED: 15 to 100 ton needed. Any brand. Call Mike Mazzeo. (609) 263-6900  
[mikemazzeo@gantrytrading.com](mailto:mikemazzeo@gantrytrading.com)

WANTED: 100 TON Travel Lift, in good condition. East coast preferred. Dave Allan. (207) 841-7257

RUST AND OBSOLESCENCE Steal Away the value of equipment. Sell or trade that which is no longer needed. Advertise it now with us.

## ★ PILING FOR SALE

STEEL PIPE for piling, spuds, dredging, etc. See our display ad in this issue. (800) 238-7473.  
[www.crestwoodtubulars.com](http://www.crestwoodtubulars.com)

## ★ PILE DRIVING EQUIPMENT FOR SALE

(1) REBUILT MTK AIR HAMMER For Sale with 40' leads, \$8,000.00. (1) caged MTK air hammer in 20' leads, \$7,000.00. (516) 901-0950

180M LINK BELT diesel with leads and manual, \$5,000.00, can load and ship. (713) 898-0655  
[howard@houstonvalve.com](mailto:howard@houstonvalve.com)

USED FOR FENDERS or Bumpers. All sizes of aircraft and special service tires for marine uses. Tire Traders Inc. Cell phone: (516) 526-6363. Fax: (516) 897-7426.  
Email: [tiremw@aol.com](mailto:tiremw@aol.com)

## ★ CRANES FOR SALE

100 TON CRANE Barge YD228 (707) 292-4861  
[javalos@xktengineering.com](mailto:javalos@xktengineering.com)

CRAWLER CRANES FOR RENT w/o spud barge. 75-230 tons. Located in Central US. (309) 925-2831  
[info@midwestfoundation.com](mailto:info@midwestfoundation.com)

LATTICE CRANE BOOMS For Sale. 25 ton unit, 80", with 3 sheave tip. 20 ton military American, 70'. All in good condition. \$2K each set. Dave Allan (207) 882-5400

MANITOWOC 100 TON Crawler Crane, Model: 222, 1998 year. 200 feet boom, 60 feet jib, 3 drums, OSHA certified. Nice cab. \$220,000.00 USD. Texas, USA. Call (281) 635-7151  
Email: [marineone1st@yahoo.com](mailto:marineone1st@yahoo.com)

## ★ CRANE TRESTLE

CRANE ACCESS TRESTLE Leaders in North America for 15 years. For solutions, sales, rentals, call: (727) 449-2100  
[info@ConstructionElink.com](mailto:info@ConstructionElink.com)

## ★ HOIST/WINCHESES FOR SALE

AMERICAN 2-DRUM 120-B, c/w 2 winch heads, excellent gears and sheet metal, no power. \$10,500, fob. Morgan City, LA. Photos and info: (514) 386-7507  
[sergeharrison2@gmail.com](mailto:sergeharrison2@gmail.com)

CONTINUED ON PAGE 32

**105' LOA Breaux Crewboat**



Built 1977, 3 Detroit 12/71T1. 2 Detroit 30kw gen sets. All certificates current. Ready to work.

**\$325,000**

Contact Russell @ (956) 433-1133



**1984 - 38' Monark Crew Boat**

Twin 671 225 HP ea., Twin Disc 507 2:1 gears 27 x 26 SS wheels, ready to customize for your mission.

**\$55,000.00 • Call (302) 462-5205 or captdroney@aol.com**

**MARINE TRAVELIFT 50 BFMII 2004**



Capacity: 110,000 Lbs., ICW: 20'6", ICH: 22', Cummins diesel engine (hours to be confirmed), enlarged fuel tank capacity, ideal for sites without diesel fuel readily accessible, wireless remote control with direct mechanical valve back-up, dual range hoist speeds, dual range drive speeds, direct drive hoist and wheels, self-lubricating pivot trunnion and sling adjust system, has optional greaseable sheave pins.

Available Immediately

Contact: Jason Johnson  
jjohnson@marinetraavelift.com  
(920) 743-6202 • Marine Travelift, Inc.



**70' Fiberglass Party Boat**

90 passenger certified. Dry dock 2018. 3 Detroit Diesel Motors 615 HP.

**\$275,000 Neg.**

Contact Danny (786) 897-4458



**NAVY WHALE BOAT PIRATE ADVENTURE TURN KEY BUSINESS FIRST \$14K TAKES THE BOAT**

Pirate themed vessel and all the treasure! (Pirate statues, floating island, loot bags, flags etc.) 26 Foot Coast Guard Certified, 13 + passenger navy whale boat. Turn key business.

**Boat - \$14,000  
Whole Business \$22,000  
(617) 828-9250**



**VESSELS FOR IMMEDIATE SALE**

Owner is Shipyard & Repair Facility and all Vessels have been reasonably maintained including hull replating as necessary.

**662-759-6841**

Vessels can be placed into service with minimal expense, All vessels are at Port Rosedale for inspection. Drydock Available.

**M/V Arkansas**

116' x 31' • 4,200 hp  
Built 1952 (Rebuilt 1990)  
Alco 12-251 Engines.  
Retractable.

**\$450,000**



**M/V Rock Bluff**

125' x 28' • 2,000 hp  
Built 1963  
Caterpillar 3512 Engines

**\$500,000**

**M/V Victoria**



110' x 32' • 3,200 hp • Built 1960  
EMD 16-645E2 Engines

**\$550,000**

**M/V Waxhaw**



70' x 24' • 1,350 hp • Built 1973  
Cummins KTA-38 Engines

**\$375,000**

**M/V Riverton**

64' x 22' • 1,000 hp • Built 1966  
Caterpillar 3412 Engines

**\$250,000**



Contact: Buddy Garrett (662) 347-4869  
As Broker Only For Additional Information  
Mention Boats & Harbors Ad.

**ISLAND WIDE MARINE INSURANCE**

**Superior Service Since 1977**

**CUSTOMIZED POLICIES**

Designed Specifically For:

**Passenger Vessels  
Sightseeing - Dinner Cruise  
Headboats - 6 Packs - Ferry  
Dolphin - Whale Watch**

**FEATURING:**

- ★ **Basic & Enhanced Policies**
- ★ **Competitive Pricing**
- ★ **Easy Payment Terms**
- ★ **Discounts For Seasonal Operations**



**Marine Insurance is Our ONLY Business**  
**1-800-635-6097**



**2001 Zodiac LRI**  
Great Shape - 2 Ea. Available



**2006 Sea Ark Center Console Dive/Rescue**  
Twin Suzuki 225 For Strokes. Ready To Go!!



**2005 36 Sea Ark Patrol Fire Boat**  
Excellent Condition



**25' SafeBoat Defender**  
Great Shape, NO POWER  
Call For Pricing • 11 Available



**2001 28' Sea Ark Dauntless**  
With Triple Axle Trailer.



**2002 27 Safeboat Defender**  
Needs Power Excellent Shape



**41 UTB 41446 "Detroit"**  
Freshwater Boat, Nicest Original 41 Around.



**2001 25' Sea Ark VC Commander**  
Excellent Condition

**ALL VESSELS ARE IN STOCK AND AVAILABLE FOR IMMEDIATE PURCHASE**

For More Information On All These Boats Please Call:  
**Mike (850) 221-5138 Or**  
Visit Our Website: [www.kclmsales.com](http://www.kclmsales.com)

**BOATS & HARBORS - Experience the Power of the Yellow Sheet!**  
**CLASSIFIEDS**

Place Your Ad (931) 484-6100 • Email: [Tlewis@boats-and-harbors.com](mailto:Tlewis@boats-and-harbors.com)

★ **HOIST/WINCHES FOR SALE**

AMERICAN 330-B, double drum, excellent condition. Cummins 6BT turbo, with trailer. Ready to work. \$110,000.00. Call (281) 635-7151.  
 Email: [marineone1st@yahoo.com](mailto:marineone1st@yahoo.com)

CAPSTAN 21" DIAMETER, anchor / deck winch, 440 v., new never installed government surplus. Acquisition cost to military \$441,000. For sale \$150,000 USD. Other winches available. Contact: Fred (206) 465-7981

[tridentllc@me.com](mailto:tridentllc@me.com)  
[www.tridentllc.net](http://www.tridentllc.net)

HAVE MARINE PARTS YOU NEED to sell? Let Boats & Harbors help you! (931) 484-6100 or place your ad online at [www.boats-and-harbors.com](http://www.boats-and-harbors.com)

NEW 40 TON NABRICO Type Barge Winches, hand wheel with ratchet, \$4,200.00 each FOB Morgan City, LA. Contact Gerard (514) 386-7507

★ **BOAT EQUIPMENT FOR SALE**

CATERPILLAR REBUILT (2) Marine engines 3208 @ 435 HP, currently being rebuilt, includes warranty on engines or as is. Call Bill (239) 898-1676.

★ **HELP WANTED**

**200T AND UP Captains with Master of Tow wanted. San Diego and Long Beach, CA. Pacific Tugboat Service. Ask for Bob. (619) 533-7932**

CAPTAIN & DECKHANDS, Carolina's largest party boat fleet. Nice boats. Good pay. Experience a must. Call Capt. Larry (910) 367-6417.

CAPTAIN / CREW WANTED, applicants must hold or aspire to hold a 100 ton auxiliary sail license. Qualified parties contact (800) 736-7981  
[jobs@mainewindjammercruises.com](mailto:jobs@mainewindjammercruises.com)

MATES, DECKHANDS, CAPTAINS, and Servers needed for Dinner Cruise Boat in Ft. Lauderdale, Fla. Call (954) 448-1044

NOW HIRING Entry Level Captain for marine assistance towing and salvage in Fort Lauderdale. 100 Ton Master with Commercial Assist Towing required. Improve boat handling skills while you develop and grow your career.  
 Send resume to: [careers@tbusftl.com](mailto:careers@tbusftl.com)

★ **INSTRUCTION**

BECOME A PROFESSIONAL Marine Surveyor, commercial and recreational courses. Navtech US surveyors nationwide home study guide. Survey forms, check lists, USCG NVCS, accreditation. USCG approved for fishing vessels. Advertise your boating business with us on the web! Toll-free: 1-(800) 245-4425.

CAPTAIN'S LICENSE PREP GUIDE for 6 passenger and 100 ton Master's licenses. 2017 Edition. Actual exam questions, answers, Flashcards, Rules of the Road, Chart Lessons. Guaranteed! Still \$37.50. Best nationwide prices on Rules CD, DVDs. Other DVDs and CDs available. Renewal test assistance. National Captain's Institute, Box 11834-H, St. Petersburg, FL 33733. Order online at

[www.Captains.com](http://www.Captains.com)  
 or Toll Free at 1-(800) 345-6901.  
 Immediate Shipment!

★ **PIPE & TUBING FOR SALE**

8" SDR17 HDPE pipe, +/- 5000 LF, 40' with few 20', some irrigation-type connectors, excellent condition, \$5 LF, (801) 870-5848.

★ **MISCELLANEOUS FOR SALE**

(6) CRAFT FLANGE BEARINGS for 3 1/2" shaft. Like new condition. (4) Voith 285 mm flange Cardon shafts. (1) Hamilton water jet autopilot electronic control unit. Call (860) 848-3032.

2 VERINALIFT DUAL Stage Mufflers. 12 inch exhaust, new, never used. \$1,200.00 each. (757) 287-4153

PORTABLE FRAMING SQUARES. These are resistant to salt water corrosion. Packaged and ready to mail.

[www.portableframingsquare.com](http://www.portableframingsquare.com)

USED GM ENGINES For Sale. Used 671's, 8V71's, V12's, V16's, and used pumps & generators. Large or small starting @ \$2,000. For pictures and specs & more marine misc. equipment, call (956) 943-2648 or visit our

website: [www.marineservice.us](http://www.marineservice.us)

★ **BUSINESSES FOR SALE**

BUSINESS OPP/LIVE The Dream. Turn-key sail/snorkel business in Vieques, PR. Owner retiring. Includes P-323 sailboat, dink, class 1 life jackets, snorkel gear, & 1 mooring. Requirements: Captain's License. \$33,000. Contact Capt. Bill (787) 428-2455 [billwillo2@gmail.com](mailto:billwillo2@gmail.com)

MISSISSIPPI RIVER EXCURSION Boat Business! Successful 10 year old business in Southern MN. providing private charters, dinner cruises and sight-seeing cruises. Optional office and/or waterfront with rights to develop a Marina also available.  
 Email: [larry@pepinvalley.com](mailto:larry@pepinvalley.com)  
[www.pearlofthelake.com](http://www.pearlofthelake.com)

WATERFRONT Dredging / Construction Company for sale in QC., Canada. The 1 million + sq.ft. property has direct access to the highway and to the St. Lawrence River. Company is selling its assets; equipment, dwellings and land. Very well maintained. Phone: (450) 742-5648  
[info@marinedragage.com](mailto:info@marinedragage.com)

★ **BUSINESSES WANTED**

INTERESTED IN PURCHASING boat and barge company in the New Orleans, LA area. Call (985) 397-3053

★ **BUSINESS OPPORTUNITIES**

HELLO! ORIENTAL, NC. Harbor 1 acre unrestricted commercial marine business property, nice house, rental cottage, dockage, steel dredge barge w/ pile driver on deep channel, 500 boats in water in walking distance. We have No Sea Tow or Rack & Stack. \$550,000. One additional acre w/ house available. Capt. Ron Diamond (518) 294-6181

★ **VACATION RENTALS**

VACATION TROPICAL FLORIDA KEYS Free with Cottage Rental: Kayaking, paddle boarding, fishing, snorkeling, bicycling 22' sailboats, water toys and more! + On site sailing school. (305) 451-3438  
[KeyLargoCottages.com](http://KeyLargoCottages.com)

★ **MARINAS FOR SALE**

MARINA & CAMPGROUND For Sale. 20 acre Marina Campground in Maryland. Full to capacity, campground, 80 percent Marina. Call (301) 370-9874.

WATERFRONT COMMERCIAL Fish House and a living house close to the Gulf of Mexico. (215) 416-2376  
[chau.thomas933@gmail.com](mailto:chau.thomas933@gmail.com)

RUST AND OBSOLESCENCE Steal Away the value of equipment. Sell or trade that which is no longer needed. Advertise it now with us.

★ **MARINAS FOR LEASE**


ATLANTIC CITY, NJ. Boatyard available for lease. 8,000 sq. ft. maintenance building includes office, parts room, 5 service bays and bathrooms. Yard storage area for 250 boats. In/out boat service and floating docks. 35 ton travel lift & marine fork lift also available for lease. Available 4/1/17. Call (609) 965-3700 and visit:  
[www.acboatyard.com](http://www.acboatyard.com)

★ **WATERFRONT PROPERTY FOR SALE OR LEASE**

GROTON, CT. One Acre Marine opportunity with prime real estate. 80' Deep water frontage. Permitted for dock 230'L x 15'W with (2) 70' x 10' side piers. Industrial zoned. Many uses: marine contractor, commercial fishing facility, charter / headboat location, ferry terminal. Plenty of parking. Contact Gary (860) 227-7283 or  
[swim@snet.net](mailto:swim@snet.net)

★ **SAILBOAT HULLS FOR SALE**

CARGO / TRADE SCHOONER under construction as T-boat, steel, 48 GRT, 61' LOA. <1 year to complete. \$350K OBO. Seller exiting. For info, call Matt (252) 626-1699.

MAINE   
 BOATBUILDERS' SHOW

March 24, 25, 26, 2017

512 Warren Avenue • Portland, ME 04103

Hours: 10-6 Friday & Saturday, 10-4 Sunday

A gathering of the finest fiberglass and wooden custom boat builders on the East Coast. Also exhibiting numerous manufacturers of boating equipment. Sailboats, powerboats, canoes, kayaks, and rowing boats with the builders there to discuss and sell their work.

Produced by:  
 Portland Yacht Services  
 207-774-1067



**New Location**  
 512 Warren Ave  
 Portland Sports  
 Complex

For More Updated Information Go To:

[www.portlandyacht.com](http://www.portlandyacht.com)

**"WHEN YOU NEED TO GET THINGS MOVING!"**

VALUE FOR YOUR ADVERTISING DOLLAR?



OUR BUSINESS IS TO GET YOUR ADVERTISING PROGRAM RUNNING IN THE RIGHT DIRECTION!

CALL, FAX, WRITE OR E-MAIL:  
**BOATS & HARBORS**

P.O. DRAWER 647 - CROSSVILLE, TN 38557

PHONE: (931) 484-6100 • FAX: (931) 456-2337 • [gdonnelly@boats-and-harbors.com](mailto:gdonnelly@boats-and-harbors.com)

**COMMERCIAL MARINE EXPO**



2017 | Providence, RI

Earn a living on the waterfront?  
 Join us at the Atlantic Seaboard's Largest Commercial Marine Trade Show

**March 15 & 16, 2017**

**EXHIBITOR SPACE LIMITED... REGISTER TODAY!**



Attendees Register Free at  
[www.CommercialMarineExpo.com](http://www.CommercialMarineExpo.com)

USE CODE BH1116 TO ENTER TO WIN  
 A \$100 AMAZON GIFT CARD!

### Crewboats For Sale



65' 1972 Breaux Bay Craft. 65' 1977 Breaux Bay Craft. 65' 1970 Swiftship. All have twin GM 12-71s with Twin Disc Gears, 20 KW GM 2-71 Gen, 42' 1981 Lafco - Twin GM 6-71s. 32' 1973 Neuville Single GM 6-71. A few others, let us know what you are looking for.

**Windy: (361) 438-9742**  
**wbrown@coastalcrewboats.com**

### 1983 43' Miller Aluminum Work Boat

**Price Reduced \$75K (OBO)**



550 HP John Deere With 2700 Hours. Currently Set Up For Commercial Assistance Towing.

**(609) 827-7557**



**SAMS**  
 Society of Accredited Marine Surveyors®  
 An International Organization of Professional Marine Surveyors

Use SAMS® Surveyors in your area  
[www.marinesurvey.org](http://www.marinesurvey.org)  
 1-800-344-9077

### SCRATCH & DENT SALE

High Tensile Galvalume Steel



100% U.S. Made No Drilling Required

**Military Spec. Quonsets SAVE \$\$\$\$**

20 x 30	40 x 60	55 x 120
25 x 40	45 x 72	60 x 150
30 x 50	51 x 96	70 x 200

**Archway Steel Buildings**  
**1-800-344-2724**  
**Fax (412) 771-4191**

### CLOSING DATES • THIRD FEBRUARY ISSUE 2017

• To be mailed February 17th •

**FOR DISPLAY** February 13th (9:00 A.M. C.S.T)  
**FOR CLASSIFIED** February 16th (10:00 A.M. C.S.T)

# Cashman Equipment Corp.

## Barges, Tugs & Marine Equipment For Sale Or Charter

Visit Our Website For a Complete List of Our Available Fleet and Marine Equipment

[www.4barges.com](http://www.4barges.com)

Or Contact Us at +1-225-216-7694 or [INFO@4BARGES.COM](mailto:INFO@4BARGES.COM)

### 40' x 12' x 3.5'

**USCG Cert. 44 Passengers**



**Fiberglass • Diesel • Clean Economical • Ready To Work Truckable From SE Florida**

**\$119,000**  
**(419) 656-4693**

### FOR SALE OR LEASE PURCHASE

OWNER FINANCING AVAILABLE



M/V "Henrietta III" 165 x 34 x 7 Steel hull, 518 pass. USCG certified, current COI, Twin Cummins 855's, Twin 290 kw gen. Seats 475 plus for inside dining. Vessel is in excellent condition. Located Troy, NY in fresh water. Turn key ready to go. **\$900,000.00**

**Lease/Purchase \$12,000/Mo.**  
**(518) 470-5208 • (518) 270-1901**  
 captainjp.com

### United States East Coast

JMC 12 Deck Barge (220' x 54' x 14')	- Built 1992	\$475,000.00
JMC 75 Spud Barge (150' x 60' x 12')	- Built 1979	\$850,000.00
JMC 76 Spud Barge (150' x 60' x 12')	- Built 1983	\$850,000.00
JMC 85 ABS Spud Barge (140' x 50' x 10')	- Built 2000	\$900,000.00
JMC 86 Inland Spud Barge With Manitowoc 4100 Ringer on Deck (250' x 72' x 16')	- Built 1980	\$1,400,000.00
JMC 120 Inland Spud Barge (120' x 55' x 7')	- Built 2003	\$800,000.00
JMC 122 Inland Spud Barge (125' x 48' x 9')	- Built 2008	\$725,000.00
JMC 123 Inland Deck Barge (125' x 48' x 9')	- Built 2007	\$725,000.00
JMC 127 Inland Deck Barge (120' x 30' x 7')	Built 1981	\$150,000.00
JMC 130 Inland Spud Barge (135' x 55' x 7')	- Built 1998	\$950,000.00
JMC 137 Inland Deck Barge (130' x 40' x 12')	- Built 1990	\$100,000.00
JMC 140 ABS Spud Barge (140' x 48' x 9')	- Built 2003	\$950,000.00
JMC 144 ABS Spud Barge (140' x 54' x 9')	- Built 2006	\$1,200,000.00
JMC 158 Inland Spud Barge (150' x 50' x 8')	- Built 2003	\$850,000.00
JMC 159 Spud Barge (150' x 60' x 10')	- Built 2002	\$1,300,000.00
JMC 164 ABS Spud Barge (160' x 60' x 10')	- Built 2011	\$1,750,000.00
Sectional Barges (12' x 40' x 5')	- 1 Available	\$25,000.00
Sectional Barges (10' x 40' x 5')	- 4 Available	\$25,000.00 Each
JMC 29 Manitowoc 4100W S1 Crane With S2 Ringer		\$950,000.00
JMC 35 Manitowoc 4100 SII 230 Ton Crane		\$450,000.00
JMC 54 Manitowoc 4100 SII 230 Ton Crane		\$450,000.00

### 60' x 16' x 4'

**Pilot/Crew/Launch**



Breaux 1991, Twin Cat 3406B Turbo w/Twin Disc MG 5114A. 24kW Genset, cold A/C, 800 gal fuel, 18 knot cruise. Asking \$189,500 Tampa, FL.

### 50' x 15' x 6'

**Pilot/Crew/Launch**



Completely rebuilt 12V-71 TA 530 HP 22 Knots, New props, shafts, rebuilt clutches on ZF gears. New paint bottom & topsides, Furuno electronics. Excellent condition, Try \$199K, New Orleans, LA.

**For More Info & Pics (251) 610-3111 or**  
**Email: [oceanicservicesllc@gmail.com](mailto:oceanicservicesllc@gmail.com)**

### Gulf Of Mexico

JMC 5 Dredge Barge (149' x 45' x 8')		\$200,000.00
JMC 24 Accommodation Barge (290 Maximum POB) - Refit 2009		Pricing Upon Request
JMC 44 Accommodation Barge (290 Maximum POB) - Refit 2009		Pricing Upon Request
JMC 50 ABS Deck Barge (220' x 60' x 14')	- Built 1998	\$1,900,000.00
JMC 92 Inland Deck Barge (130' x 34' x 7')		\$100,000.00
JMC 146 ABS Spud Barge (140' x 54' x 9')	- Built 2008	\$1,200,000.00
JMC 244 RMRS Classed Deck Barge (240' x 53' x 13') w/4000 Manitowoc Crawler Crane - Built 2009		Pricing Upon Request
JMC 245 RMRS Classed Deck Barge (240' x 53' x 13') - Built 2009		Pricing Upon Request
JMC 250 ABS Deck Barge (250' x 72' x 16')	- Built 1998	\$2,900,000.00
JMC 251 ABS Deck Barge (250' x 72' x 16')	- Built 1999	\$2,900,000.00
JMC 254 ABS Deck Barge (250' x 72' x 16')	- Built 1999	\$2,900,000.00
<b>JMC 3009 ABS Deck Barge (300' x 90' x 18') - Built 2008</b>	<b>NEW PRICING</b>	<b>\$3,200,000.00</b>
JMC 3080 Deck Barge with Bin Walls (300' x 80' x 18')	- Built 2010	\$2,800,000.00
Hopper Barges (200' x 35' x 12')	- Built 1998	\$55,000.00 Each
Sectional Barges (12' x 40' x 5')	- 10 Available	\$25,000.00 Each
M/V Marina Orion - Built 2007		\$2,900,000.00
M/V Marina Polaris - Built 2007		\$2,900,000.00
M/V Todd Danos - Built 1981		\$2,300,000.00
M/V Reed Danos - Built 1977		\$2,300,000.00
Crew Boat Miss Penny		\$28,000.00
JMC 49 - 300 Ton 2250 SIII Manitowoc Crane		\$950,000.00
Two (2) Reintjes Gears Model WAF 1173 7.429 to 1 Ratio	NEW IN WAREHOUSE/NEVER INSTALLED	\$220,000.00 Each or \$385,000.00 for Pair
Four (4) Twin Disc Model MGN 1727 Gears 7.12 to 1 Ratio	NEW IN WAREHOUSE/NEVER INSTALLED	\$125,000.00 Each

## \*STEEL PIPE\*

### NEW & USED STEEL PIPE

FOR: Piling, Spuds, Dredging, Ballards, Floats, Casing, Etc.

#### CURRENT SPECIALS

30,000'	8-5/8" O.D. x .188"/.500" wall pipe
15,000'	10-3/4" O.D. x .250"/.500" wall pipe
20,000'	11-3/4" O.D. x .534" wall pipe
40,000'	12-3/4" O.D. x .250"/.750" wall pipe
10,000'	16" O.D. x .250"/.500" wall pipe
15,000'	24" O.D. x .312"/.750" wall pipe
30,000'	36" O.D. x .375"/.750" wall pipe

**Plus many more sizes!**

Call Anytime on 2"-46" Dia pipe  
**DELIVERY ANYWHERE IN:**  
 US/CANADA/MEXICO/CARIBBEAN

**CRESTWOOD TUBULARS, INC**  
**Phone: (314) 842-8604**  
**Fax: (314) 842-9064**  
**Toll Free (US) 800-238-7473**  
**Email: [info@crestwoodtubulars.com](mailto:info@crestwoodtubulars.com)**  
**[www.crestwoodtubulars.com](http://www.crestwoodtubulars.com)**

### United States West Coast

JMC 4 YC Inland Barge (110' x 34' x 10')		\$20,000.00
JMC 153 - (150' x 60' x 8') Crane Barge - Built 2013		\$1,200,000.00
JMC 154 - (150' x 60' x 8') Crane Barge - Built 2013		\$1,200,000.00
JMC 59 - Manitowoc 999 Series/ 3 Crane 200' Boom 100T & 15T Block - Built 2002		\$950,000.00
JMC 60 - Manitowoc 999 Series/ 3 Crane 200' Boom 220T Block - Built 2001		\$950,000.00

### West Africa

JMC 3007 ABS Deck Barge (300' x 90' x 18')	- Built 2008	\$3,400,000.00
JMC 3008 ABS Deck Barge (300' x 90' x 18')	- Built 2008	\$3,400,000.00

### Asia Pacific/Singapore

**1000KVA Containerized Generator Sets. Cummins Engines, Stamford Alternators, Deep Sea Control Systems - Built October 2014 (3 Available)**		\$275,000.00 Each
--	--	-------------------

# MERTON'S

## FIBERGLASS AND MARINE SUPPLY

- Complete hand lay-up fiberglass supplies for light & heavy fiberglass or wood boat repair & construction.
- Polyester, Epoxy, Vinylester Marine Grade Resins.
- Marine Topside Enamels & Antifouling Bottom Paint.
- Silicon Bronze & Stainless Steel Fasteners

**Quality Brand Name Products**  
Competitive Pricing  
All items in stock for Immediate shipment

Online catalog  
[www.mertons.com](http://www.mertons.com)  
Call 800-333-0314  
P.O. Box 399  
East Longmeadow, MA 01028

Supplying Quality Products To Boat Owners.  
Hull Finishers & Boatyards for over 20 years

### 800-333-0314

## Scruton Marine Services

**Peggy or Mike Scruton**  
MARINE BROKERS  
49 John Street  
Port Dover Ontario,  
NOA 1N7

Website:  
[www.scrutonmarine.com](http://www.scrutonmarine.com)  
Email:  
[sms@scrutonmarine.com](mailto:sms@scrutonmarine.com)  
Ph: (519) 583-1636  
Fax: (519) 583-2189

"SCRUTONIZE YOUR INVENTORY"



25' Aluminum Crew Boat - Rebuilt V653 Push Knees, Generator and Air Conditioning, Small Generator Total Refit. Paint Inside And Out. Windows Running Lights, Electronics, Total Turn Key.

\$25,000.00  
[fred@quicktow.com](mailto:fred@quicktow.com) • (985) 258-3266



## Ex. Torpedo Retriever

Length 130 feet, Twin Cat 35-12, Twin generator sets, Cat 3304 paralleling, 2 Cranes, all electronics, single radar, GPS, etc., Bow Thruster 3304 controlled from wheel house, Mains less than 1000 hrs. since O.H., Twin power packs for steering, Power pack for deck machinery and cranes, Full air, 12 bunks, and stainless steel galley. Runs very well, up to 18 knots.

**SERIOUS INQUIRIES AND OFFERS ONLY • Call: 808-864-1181**

# Central Boat Rentals, Inc.

Morgan City, LA


Ocean Barges: 180 x 54 x 12      260 x 72 x 16  
Tank Barges: 10K & 30K bbl Double Skin

Ocean Towing      Barge Fleeting  
Shipyard Services

(985) 384-8200      [centralboat.com](http://centralboat.com)

# General Cargo Coaster

## For Sale Direct From Owners



Our File: GS00681 185.2' x 31.2' x 17.7' x 10.40' load draft. Built 1990 Yoshida Zosen Kogyo; Japan. Foreign flag. GRT: 346. DWT: 681mt. Hold Capacity: 1,165m³ grain in one hold. 1 hatch. FO: 35T. FW: 15.7T. BW: 382T. Crane: 35T Kato deck. 1 x Niigata 6M26AGTE total 850BHP at 300RPM. FP prop. 2.52MT/day. Gen 1-80kW / Yanmar, 1-30kW / harbor. Quarters: 10 (4-1, 3-2). 45 TEU on three stack, tween deck allowable. Rolling hatch. Price US \$150,000.

**Inspection / Delivery: Canada West Coast**

Marcon International, Inc.  
Tel: 360-678-8880 e-mail: [info@marcon.com](mailto:info@marcon.com) Fax: 360-678-8890  
[www.marcon.com](http://www.marcon.com)

## For Sale By Owner



2001 Hydraterra amphibious vehicle, excellent condition. 45 passenger and 2 crew. Will sell vehicle only, or if interested we will sell the exclusive route as well. Location is Fort Lauderdale, FL. Owner will train.

[Eli@ducktoursflorida.com](mailto:Eli@ducktoursflorida.com) • (786) 303-2560



# PINE HILL EQUIPMENT



655 Pine Hill Rd. - Westport, MA 02790 • E-mail: [sales@pinehillequipment.com](mailto:sales@pinehillequipment.com)  
"Pictures of all equipment can be emailed upon request. Dimension sheets also available"




### Winch Inventory

**NEW PULLMASTERS IN STOCK**

(1) PL1-12-227-1 • (2) PL2-12-228-1-B  
(3) PL5-12-210-1 • (4) PL5-12-210-2 • (2) H12-3-97-1

Our Winch Inventory is constantly changing! Please give us a call about any of your hydraulic winch needs.

---

**M12-6-97-6 PullMaster Winch - PHE Rebuilt**



Planetary winch with equal speed forward and reverse. Bare Drum = 9,756 LBS / 129 FPM, Mean Drum = 8,003 LBS / 165 FPM, Full Drum = 6,250 LBS / 201 FPM. Wire Capacity: 365 ft of 1/2" wire rope or 1510 ft of 1/4" wire rope. Rebuilt by PHE technician. Carries a 90 day warranty.

---

**H10-3-97-7 PullMaster Winch PHE Rebuilt**



(Old model number. Current equivalent model H12) Planetary winch with rapid reverse. Bare Drum 12,101 LBS / 104 FPM / 449 FPM. Mean Drum 9,186 LBS / 152 FPM / 660 FPM. Full Drum 6,250 LBS / 201 FPM / 871 FPM. Wire Capacity: 636ft of 1/2" wire rope, 2,237ft of 1/4" wire rope. Rebuilt by PHE technician. Carries a 6 month warranty.

---

**H8-3-30-2 - Planetary winch with rapid reverse.** Bare Drum: 7,000lbs / 135 FPM / 587 FPM, Mean Drum: 5,519lbs / 184 FPM / 802 FPM, Full Drum: 4,038lbs / 235 FPM / 1,018 FPM. Wire Capacity: 231ft of 1/2" wire rope, 812ft of 1/4" wire rope. Rebuilt by PHE technician. Carries a 6 month warranty.

---

**(2) USED ROTZLER WINCHES**

10,000 Bare drum line pull winches. Equal speed. 2000 PSI @ 65 GPM. Black powder coated with stainless steel fasteners. Condition: Like brand new & warranted by PHE for 6 months.

---

**MR-525 Hydrostar Radial Piston Motor RECONDITIONED**



(1) Reconditioned Unit - Spline shaft is 85%, motor is clean inside. Supplied blasted and in zinc primer. Motor was entirely disassembled, inspected & resealed w/ shaft saver on shaft. Motor has four bolt flange connections, not typical 6 bolt flange style. Heavy Duty, High torque, Low speed. 523.9 Cubic Inch, Max Continuous Speed: 80 RPM, Max Continuous Output: 220 HP, Max Continuous Pressure: 3000 PSI, Max Continuous Output torque: 19520 FT/LBS, Dry Wgt: 1698lbs. Call for price. See website for pictures & spec sheet.

---

**(1) ZF IRM 320 PL-1 REVERSE GEAR**



1-12-1, SAE No. 1 Bell Housing, serial no. 320-672, new never used cond. Call for price.

### Marine Cranes | Launch and Recovery | Boats | Spare Parts

Pine Hill Equipment is proud to offer marine products by:

**PALFINGER & PALFINGER NED-DECK**

**CRANES** - Off-shore, ship-mounted & dock mounted cranes • Knuckle boom, telescopic boom, and stiff boom configurations • Cranes from 2.5 mt to 400 mt • Heavy Lift cranes to 3000 mt • Certified for ABS, DNV & others.

**LAUNCH AND RECOVERY** - Davits for rescue boats and life rafts • Manual, hydraulic and electric operation • A-frame, swing arm, telescopic arm, outrigger & dual point types. Automatic release safety hooks.

**BOATS** - Life rafts & fully enclosed life boats • Rescue & fast rescue craft. As well as Navy & USCG specified vessels • Daughter craft, workboats, push/pull boats • Rigid hulled inflatable boats

**PARTS** - Spare parts for all things Palfinger Marine and Palfinger NedDeck Many in stock. Fast reliable ordering service.

**PACKAGES** - Power units, winches, radio remote controls, anti-2-block systems, scales & weight systems, platforms, seats, cabs & crane skids. Spare parts, pipes & hoses. After sales & service.



**NEW MARINE CRANES IN STOCK**

**PALFINGER MARINE MODELS IN STOCK**

PK4501MC - 4.2 MT/29,500 FT-LBS  
PK8501MA&C - 8.2 MT/59,984 FT-LBS  
PK11001MD - 10.7 MT/77,416 FT-LBS

See <http://pinehillequipment.com/marine-cranes/>  
For Full Spec Sheets & Availability • Used & Reconditioned Cranes Also Available • Please Call For pricing.

---

**MR 375 HYDROSTAR RADIAL PISTON MOTOR - CURRENTLY BEING REBUILT** - Once reconditioned this unit will be - Spline shaft 85%, motor clean inside. Supplied blasted and in zinc primer. Motor will be entirely disassembled, inspected and resealed with shaft saver on shaft. Motor has six bolt flange connections. Single Speed, Heavy Duty, High torque, Low speed., 374.2 Cubic Inch, Max Continuous Speed: 90 RPM, Max Continuous Output: 165 HP, Max Continuous Pressure: 3000 PSI, Max Continuous Output torque: 13,750 FT/LBS, Dry Weight: 1444 LBS - Price upon request.

**NEW Kawasaki "STAFFA" Radial Piston Motor**



Brand New - Take Off Hydraulic Radial Piston Motor. Heavy Duty, High Torque, Low Speed. Model: HMHDB200/T/FM4 /30/PL130, Serial: 01A10151-188 Cubic Inch, Max Continuous Speed: 175 RPM, Max Continuous Output: 174 HP, Max Cont. Pressure: 3625 PSI. Full specs & price upon request.

---

**Custom Hydraulic Power Units! Rent or Own!**

Any HP, wireless control capabilities, any GPM, any size!  
They are fully customizable and marine tested and proven.  
Below are the pictures of our standard 80HP!

---

**DIESEL POWER UNITS FOR RENT**



Available quickly. Standard diesel HPUs up to 173 HP. Built to spec. Buy or rent. We can deliver to your jobsite. Call for availability.

---

**Almond Johnson LST Anchor Winch**



It makes a strong towing winch. Carries 1500 ft of 1 1/2 wire rope and has 60,000 lb. bare drum line pull. The winch has been converted to hydraulic and air operated brake/clutch. The winch appears to never have been used. Hydraulics are new, installed by Pine Hill Equipment. Includes level wind.

Call ex 215 for pricing

---

**WIRELESS RADIO REMOTE CONTROLS**



Wirelessly control all of your hydraulic equipment. Don't be stuck behind a console! Safely run your equipment with the ability to be in a better line of sight. Push button stop features allow you to remotely shut down equipment in case of machinery failure or other emergency. Remotely control your cranes, winches, deck equipment, power units and motor starters, etc. We can safely and remotely control just about anything. Call with your specifications.

---

**200 TON SHACKLE LIKE NEW • \$1,250**



**WE ARE DISTRIBUTORS OF**



**PLANETARY WINCHES AND PLANEMATIC PLANETARY DRIVES FROM 1,000 LBS. TO 75,000 LBS. LINE PULL**

**CALL OR FAX US FOR A QUOTE ON YOUR NEXT WINCH REQUIREMENT!**

Website: [www.PineHillEquipment.com](http://www.PineHillEquipment.com)

PHONE (508) 636-5971 x212  
FAX: (508) 636-9067

**DESIGN & CONSTRUCTION OF HYDRAULICALLY POWERED WINCHES AND LINE/MATERIAL HANDLING MACHINERY FOR ALL APPLICATIONS**

Often Times It Is More Cost Effective To Replace Old Mechanically Driven Winch Systems With NEW Hydraulic Winches and Power Units!



**VOYAGER  
MARITIME  
ALLIANCE  
GROUP**

**WHOLESALE Suppliers of Navigation,  
Communication and Satellite Products**



**Factory Authorized Dealers for ALL  
Manufacturers Products  
Engineering & Project Management  
Services Available**

**FT LAUDERDALE, FLORIDA  
TEL: 954.463.5910  
wholesale@vmag.cc - www.vmag.cc**

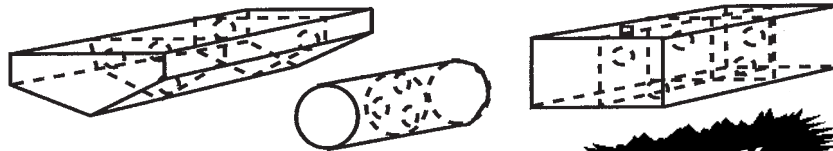
# MARINE FUEL TANKS

[www.speedytanks.com](http://www.speedytanks.com)

**ANY SIZE - ANY SHAPE**

**ALUMINUM TANKS FOR GAS OR DIESEL**

TESTED & BUILT TO U.S.C.G. SPEC.



**UPS DAILY**

**5 DAY  
TURNAROUND**

**ATLANTIC COASTAL WELDING INC.**

**[800] 434-TANK (8265)**

**OR FAX A DRAWING 1-732-269-7992**



## JOHNSON DIESEL SERVICE

Dealer for Cummins, Detroit, & Volvo Marine & Industrial Engines, Power Units and Generator sets. New, exchanges and used engines. We carry exchange and new Twin Disc and ZF Marine transmission and all parts necessary for overhaul's.

Phone (228) 392-1311 Fax (228) 392-0096

Email: [johnsondiesel@cableone.net](mailto:johnsondiesel@cableone.net) • Website: [JohnsonDiesel.com](http://JohnsonDiesel.com)

### For Sale: 2003 Zodiac H920 Fireboat



Powered by Twin Yanmar 440 Diesel engines and Twin Disc water jets. 200 gallon fuel capacity. Features include generator, 1750 GPM fire pump, roof-mounted deck gun, 30 gallon foam tank, air conditioning and heat, remote ACR searchlights, Whelen hailer, Raytheon electronics package, and numerous other extras.

For more information contact Dean at (561) 909-9788



# BRUNSWICK COMMERCIAL & GOVERNMENT PRODUCTS



## 1200 IMPACT

Powered by quad 300 HP Mercury Verado engines, this fully loaded 12-meter IMPACT RHIB features a custom aluminum console and T-top.

**Key features include:**

- Six shock-mitigating seats by SHOXS seats
- Furuno electronics
- HD aluminum trailer by BoatMaster
- 30HZ FLIR



## 1100 IMPACT D-COLLAR

Powered by triple 350 HP Mercury engines, this fully loaded 11-meter IMPACT RHIB features a custom aluminum console and t-top.

**Key features include:**

- Joystick piloting from Mercury Marine (JPO)
- Four shock-mitigating seats by SHOXS seats
- Raymarine electronics package
- HD trailer by BoatMaster



## 350 CHALLENGER

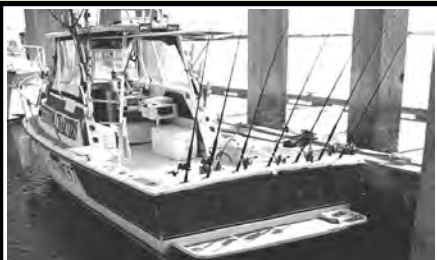
Powered by triple 300-HP Mercury engines, this fully loaded 350 Challenger is the boat for all of your fire and rescue missions.

**Key features include:**

- 135-HP marinized Darley Pump with remote monitor
- Pumping power of 1150 GPM @ 130 PSI
- Cabin features a galley, head and forward workstation
- Enclosed cockpit

Demonstration units available now

For more information, call us at 386.423.2900 or visit [www.brunswickcgp.com/boatsforsale](http://www.brunswickcgp.com/boatsforsale) to find out more.



28' Aqua Sport, 1989. 210 Cummins, 150 Gal. Fuel Tank, Engine Has 800 On Rebuilt.  
Fernandina, FL  
**\$15,000.00 OBO • (904) 548-7815**

**FOR SALE**  
1994 - 85' ALUMINUM YANK



150 Passenger. Complete overhaul in 2013 by Yank Marine. 3X John Deere 650 HP 2.5:1 ZF gears, 1,700 hrs since new. 2 Kubota 33 KW generators. Excellent condition.  
SERIOUS INQUIRIES ONLY  
Call Dan (718) 877-5815

**Deck**  
**(Party Barge)**



175' x 32'. Wired for generator and shore-power. Two bathrooms, ramp, galley and retractable spuds.  
**\$150,000.00**  
**(270) 860-5826**



Marine Deck Barge Puller Winch  
AC, Hoyle Co. 30 HP Electric Variable Speed With Brake.  
**\$14,500 OBO**  
**(423) 394-9283 • (423) 883-4696**

**Portable Pushboats**  
**For Charter**



430/330 HP Twin Screw  
25' x 12' x 5', 3.5' Draft  
J-Way Leasing & Marine, LLC  
**(440) 934-1020**

**50' EX-NAVY DIVE BOAT**  
**Asking \$40,000**



Twin 671N (Approx. 1,000 Hours)  
30 KW 3 Phase Generator  
**Contact: Ryan or Doug**  
**(757) 898-5060**  
**Will Email Pictures**  
**Upon Request**

**65' Bonner**  
**Twin GM**  
**Naturals**



**PRICED TO**  
**SELL AT**  
**\$125,000**  
**(732) 278-4402 OR**  
**(732) 477-6441**

**FOR SALE - SPUD BARGES**



150' x 60' x 10' - Built 2015 - ABS Extra Heavy With 80' x 30" Spuds  
180' x 42' x 5' With 32' x 14" Spuds  
USCG/ABS Office, Gens., Fuel Tanks Ect. Avail.  
985.380.8246 • [smithsuntow@gmail.com](mailto:smithsuntow@gmail.com)



**75' PASSENGER BOAT**

**3 - 60 Series MTV Engines /**  
**Hamilton Water Jets**  
**Available for sale \$520,000 or**  
**possible lease to qualified operator.**  
**Stability letter 149 / COI 75 passengers**

**Built 2003, 2 - 22 kw Generators**  
**Double Electronics in Wheel House**  
**Inflatable IBA Raft**

**Cruise 20 Knots, Top Speed 26 Knots**

**Call Joe: 508-776-8435**  
**Email: [joseph@meganet.net](mailto:joseph@meganet.net)**

**PASSENGER VESSEL**

**ASKING \$3,950,000**

**FOR SALE, LEASE OR JOINT VENTURE**  
**OWNER WILL CONSIDER FINANCING**

*The M/V Deacon is an 120' x 43' all aluminum vessel designed to transport 250 passengers at 30 knots. The swath design provides dramatically better ride in high seas than a mono-hull or a catamaran vessel.*

*How does the swath compare to a conventional vessel? Watch our online video.*



**Possible Uses:**

- Crew Boat • Yacht • Dinner Cruises
- Whale Watching • Research Vessel • Casino
- Military • Passenger Ferry • Seismic Vessel
- Live Aboard Dive Vessel • Dive Support Vessel

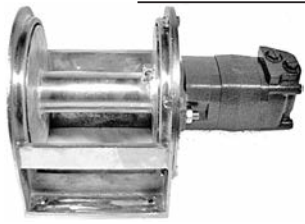
**[www.mvdeacon.com](http://www.mvdeacon.com) or Daniel Haines at**  
**985-631-2628 or [daniel@hainescompanies.com](mailto:daniel@hainescompanies.com)**

# HYDRO-SLAVE

★ SAME DAY SERVICE ★

## QUALITY MARINE HYDRAULIC EQUIPMENT

### STANDARD BOOM WINCH



#### SPECIFICATIONS

PULL - EMPTY SPOOL - 24 CID MOTOR  
12 GPM @ 1500 PSI - 3580 LBS  
12 GPM @ 2000 PSI - 4730 LBS  
PULL - FULL SPOOL - 24 CID MOTOR  
12 GPM @ 1500 PSI - 1375 LBS  
12 GPM @ 2000 PSI - 1813 LBS

### BRAKE BOOM WINCH

#### WIRE CAPACITY

5/16" WIRE - 321 FEET • 3/8" WIRE - 223 FEET  
1/2" WIRE - 125 FEET



Available in Both Powder Coated Steel and Stainless Steel

BUY THE BEST - BUY THE ORIGINAL BUY HYDRO-SLAVE

### HYDRAULIC PUMP WITH ELECTRIC CLUTCH

## 2 Bolt B Auxilliary Drive Assembly

### 2 BOLT B 13 TOOTH MOUNTING FLANGE

- Precision Machined Aluminum 2 Bolt B Mounting Flange
- Precision Machined Steel Pump-Clutch Mounting Bracket
- 250 Ft. Lb. 2 Bolt B 13 Tooth Clutch
- 25VQC High Performance Vane Pump 2 Bolt B 13 Tooth Spline 21 GPM @ 3000 PSI, 1200 RPM
- Dimensions: 13" Long, 8-1/2" Wide



THIS ASSEMBLY IS SUITABLE FOR INSTALLATION ON ANY 2 BOLT B 13 TOOTH DRIVE ADAPTER SUCH AS A TWIN DISC OR ZF TRANSMISSION

### WORLD'S LARGEST POT HAULER MFG. FOR OVER 40 YEARS

For more information call: 1-800-747-7550 or visit us on the internet: [www.marine-hydraulic-engineering.com](http://www.marine-hydraulic-engineering.com)

## MARINE HYDRAULIC ENGINEERING CO., INC.

17 Gordon Drive Rockland Maine 04841 Fax: 207-594-9721  
Email: [marinhyd@midcoast.com](mailto:marinhyd@midcoast.com)



**KINGSTON EXPRESS**  
147 Passenger Ferry



**FORT WARREN**  
150 Passenger Charter Yacht



**CATFISH BEND**  
1,389 Passenger Paddlewheeler



**MAJESTIC PRINCESS II**  
149 Passenger Yacht

Call for specifics on these and many others.

You manage your marine business.  
Delegate the rest to us.

### PINNACLE MARINE CORPORATION

New & pre-owned.  
608/788-3210 • FAX 608/788-3227  
E-MAIL: [info@pinnaclemarine.com](mailto:info@pinnaclemarine.com)  
[www.pinnaclemarine.com](http://www.pinnaclemarine.com)

### 65' GILLIKIN



2-871's, Port Rebuilt 2010, Starboard 2011, New 16kw Gen in 2012, Refastened By Gillikin '07, New Fuel Tanks '09, New Hydraulic Hauler System '09, Full Electronics, COI 65 Pass.

**Must Sell! • Bring All Offers!**  
**\$65,000 Neg • (732) 615-7531**



**50 Ton Grove RT75S (SN 32054)**  
Detroit diesel 4x4 rough terrain. 110' main boom, 30' Jib, good rubber. Auxillary winch, block and ball. All hydraulic cylinder recently rebuilt by Grove dealer (Shawmut Equipment cost over \$30g). In great condition.

**\$48,500.00 • Call Ron (508) 958-2590**

### Barges For Sale

30 x 90 Deck Barge - \$110,000  
35 x 110 Deck Barge - \$110,000

Various Smaller Barges  
(Like Shugart) Various Prices

Boats: 62' Breaux Crew Boat, Twin V12's, Recent Haul & Bottom Service.....\$149,000  
Push Boat: 25' Progressive, Twin John Deere 6081 Engines.....\$185,000  
Motor Lifeboat: 26' X Navy Perkins 4108 Diesel, Velvet Drive Trans.....\$8,800  
Engines: 2 Detroit 12V71's.....\$24,000

For Pair - Will Separate

4 Cyl. Detroit - With Marine Conversion, Less Trans, Totally Rebuilt, May Need Blower, Rebuilt, Engine Has Been Sitting.....\$2,000 Or BRO

35' X USCG - Ports And Waterways Fire Boat, 3208 Cats, 4 Cyl. Diesel Pump Engine, All There Partial Submersion.....\$6,500  
Cat 3208 Marine Eng., Less Trans.....\$3,500

All Interesting Trades Considered

Call: (781) 925-2404  
Email: [acushnetmarine@gmail.com](mailto:acushnetmarine@gmail.com)

## Looking for Marine parts?

### Save time and money!

We will find marine parts from around the world including engines, generators, & oil platform cranes.

OVER 25 YEARS EXPERIENCE



1-866-717-2053  
or 608-783-2766



## CALL FOR PRICING

Johnson Stevens  
(843) 889-2254 Office  
[j.stevens@stevens-towing.com](mailto:j.stevens@stevens-towing.com)

For over 100 years, Stevens Towing has conducted business in marine towing, barge charter, and marine repair. Located 25 miles south of Charleston, SC, (mile marker 490 ICW) the shipyard is equipped with 2 Marine Railways, a 150-ton Marine Travel Lift, as well as 500' of dock space for topside marine repairs.

### Equipment For Charter

#### Deck Barges

- (3) 120 x 30 x 7
- (2) 120 x 33 x 10
- (1) 150 x 55 x 8
- (1) 162 x 52 x 10
- (1) 175 x 39 x 9
- (1) 260 x 50 x 10.5
- (1) 250 x 54 x 13 ABS

### Equipment For Sale

#### Hopper Barge

(1) 260 x 52.5 x 12

#### Crane Barge

(1) 199 x 52 x 14 w/ 28 ton Crane at 90' Intercon Hydraulic Crane w/Cat Engines



### Cranes

We have two 500 ton barge mounted cranes that are strategically placed in Savannah, GA and Charleston, SC. These cranes have the ability to move via the Intercoastal Waterway or Offshore to any job. We also have a barge mtd Clyde 32 which is a rotating 140 ton crane at 45ft.

#### Savannah Giant

Crane Capacity: 500 Tons  
Barge Dimensions: 180' x 80' x 10'

#### Ocean Ranger

Crane Capacity: 500 Tons  
Barge Dimensions: ABS 200' x 72' x 14'

#### Stevens 1401

Crane Capacity: 140 Tons  
Barge Dimensions: 142' x 58' with spuds

### US FLAG JONES ACT SHIP "M/V Coastal Venture" For Charter

Length Overall: 247' • Draft: 11'  
Speed At Sea Loaded: 12 KTS • GT: 497  
Capacities: Hold 1 Cubic Capacity 8,640 FT+, Hold 2 Cubic Capacity 30,800 FT+, Hold 3 Cubic Capacity 45,760 FT+.  
Capable of carrying a wide variety of cargo from Break Bulk to Containers as well as Hazardous Goods Class 1-9



## Stevens Towing Shipyard

### Railways

We Have Two Large Marine Railways With A Weight Capacity Up To 1650 ST And Dimension Up To 300' Long x 80' Wide.

### Travel Lift

Weight Capacity: 150 ST • Length Unlimited x 37' Wide

STEVENS TOWING - A RESPECTED NAME IN THE MARITIME INDUSTRY FOR OVER 100 YEARS.

## Double Hull Ocean Deck / Tank Barge For Sale Direct From Owners



Our File DB25140: 250' x 74' x 19' depth / 15' draft. Built 2002 by CSC Jinling Shipyard, China. U.S. flag, but not eligible for Jones Act Trade. ABS +A1 Tank Barge Unrestricted. SS due Dec 2017. Drydocked 2015. Designed & built for up to 6,100ST limestone on deck. 8' bin walls. Abt. 23,800bbl slurry in 10 double-hull, corrugated tanks w/ agitator impellers. 2-800gpm pumps. 2- 20kW gensets.

Inspection / Delivery: Prompt U.S. Northwest

Marcon International, Inc.

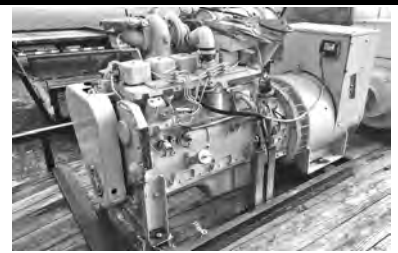
Tel: 360-678-8880 e-mail: [info@marcon.com](mailto:info@marcon.com) Fax: 360-678-8890

[www.marcon.com](http://www.marcon.com)

**Charter Fishing Business,  
Marina, Home and Commercial Office**



43' boat, tackle, ice maker, dock, shore fuel tank.  
2 bedroom 2 bath home with commercial office  
space and bath. 20 miles north of Key West.  
Well established business since 1978.  
(305) 745-1530  
seaboats5@aol.com • www.seaboats.com



Cummins 6BT G2M 95 KW Marine  
Generators, Marathon Gen End.  
**\$6,750 OBO (2 Each)**  
(423) 394-9283 • (423) 883-4696

**119' x 34' Army  
LCU Landing Craft**



**180 Ton Deck Capacity**  
**Hauled 2015 New Shafts/Props**  
**\$850K w/ Possible Owner Financing**  
**San Francisco, California**  
(415) 686-0907 • John

# Cashman Equipment Corp.

Equipment for *Sale or Lease* in the Pacific Northwest

**Manitowoc 999 Series / 3 Crane**

**200' Boom 100T & 15T Block (Built 2002) - \$950,000**

**150' x 60' x 8' Crane Barge (Built 2013) - 2 Available**

**\$1,200,000 Each**



See More Equipment For Sale or Lease at [www.4barges.com](http://www.4barges.com) or  
Contact Derek Disch at [ddisch@4barges.com](mailto:ddisch@4barges.com) or +1-781-506-6000

**OFFICES AND FLEETS LOCATED WORLDWIDE**

USA - MEXICO - SOUTH AMERICA - CANADA - MIDDLE EAST - EUROPE  
ASIA PACIFIC - SINGAPORE - AFRICA - CASPIAN SEA



**For Sale**  
30' x 50'  
Fiberglass  
Sectional Barge  
\$15,000  
18" Dredge HDPE  
Pipeline FDR17  
14.00/L.F.  
10,000' Available  
38 x 14  
Crewboat  
\$50,000

12" Dredge  
HDPE Pipeline FDR17 7.00/ L.F. 3,000' Available  
**Any additional information upon request**  
**Please Call 954-568-0007**

**ARNESON SURFACE DRIVE**



ASD-6A-3-6-10. Like New.  
Prop and Tilt Pump Included.  
**\$3,500 • (443) 521-7748**



**Party Boat For Sale**  
Licensed 73 + 3, 31 Upper Deck, rewired 2014.  
Pair of 671's and 7.5 KW generator. Located in  
Montauk, NY. Fasteners good until 2021.  
**\$65,000 OBO • (631) 513-9815**

**Flagship Marine - Keep It Simple Stupid - the KISS principal has guided us since 1995!**



**NO EXPENSIVE,  
PROPRIETARY  
PRINTED CIRCUIT  
BOARDS!  
A CHILD CAN  
FOLLOW OUR  
SCHEMATICS!**



**CHILLERS • SELF - CONTAINED  
AIR COOLED - EXPLOSION PROOF  
EXTREME DUTY  
FOR UP TO 105°F SEAWATER!**

**OVER-THE-COUNTER COMPONENTS  
SLOWLY EVOLVED DESIGN  
AND COMPONENT SELECTION OVER  
MANY YEARS OF EXPERIENCE.**



Air Cooled Rooftop Units By RVP  
Coleman 13,500 BTUs With Heat,  
Install Kit And Ceiling Assembly For  
Only **\$929.95**



**Made With Pride In The USA!**  
International Distributor  
Fernstrum Keel  
Coolers &  
Sen-Dure Heat  
Exchangers

Phone: 772-283-1609  
Fax: 772-283-4611  
Watts: 800-316-6426  
**Flagship Marine, Inc.**  
2427 SE Dixie Hwy.  
Stuart, FL 34996  
[flagshipmarine.com](http://flagshipmarine.com)  
[sales@flagshipmarine.com](mailto:sales@flagshipmarine.com)



**FOR SALE - 2015 TRUCKABLE PUSH / TUG • \$69,900.00**  
25' 9" L, 14' 1/2" W, 6' Hull Depth, 14' Line of Sight, 3 1/2" Shaft Tube, 300 Gal Fuel  
Capacity, Keel Cooler, All 5/16 plate painted in and out, **C9 Cat Available for \$29,000.** For  
more photos see: <http://www.oakdaleyacht.com/sales/used-boats/>  
**For Information Call: (631) 589-7779**

**PC Industries**  
[www.powerlinecomponents.com](http://www.powerlinecomponents.com)

**Specializing in Detroit Diesel 2 Cycle Engines**

Complete Line of Remanufactured Subassemblies  
Blowers, Con Rods, Cylinder Heads, Injectors,  
Fuel Pumps, Oil Pumps, Water Pumps and More!



**Large Inventory of New Parts**

**Pistons, Cylinder Liners, Ring Sets, Gasket Sets, Bearings**



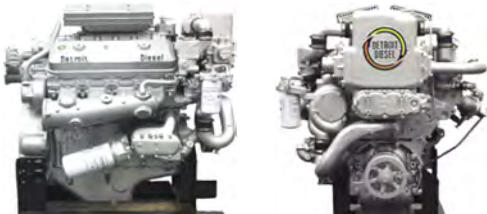
North West Distributor  
**Kocsis Hydraulic Starting Systems**

**New Water Cooled Exhaust Manifolds & Accessories  
for Caterpillar, Cummins & Detroit Diesel Engines**



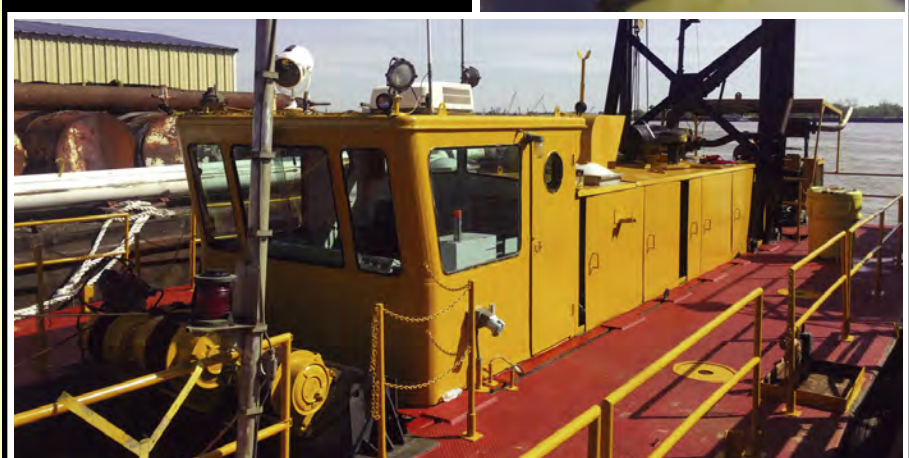
**PC Industries, LLC**  
1088 N. Washington, P.O. Box 490  
Afton, Wyoming 83110 USA  
Phone # (307) 885-4724  
Fax # (307) 885-3215  
Toll Free # (877) 885-4724

**Remanufactured & Dynamometer  
Tested Detroit Diesel Engines**

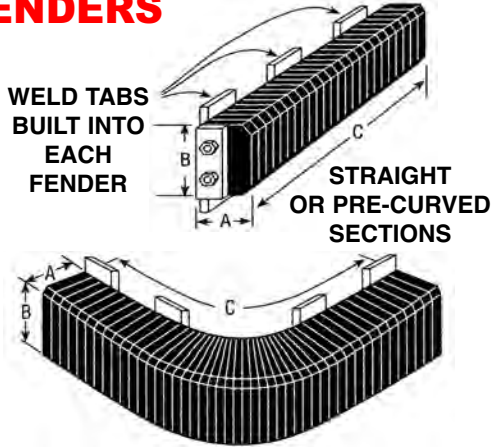


**For Sale**

**14" Hydraulic  
Dredge  
800' Float Line  
Twin Engine Boat  
Derrick Barge  
Spud Barge With  
60 Ton Crane  
\$900,000  
Contact:  
(504) 236-3999**



## WELD-ON D-GUARD FENDERS



SIMPLY POSITION AND WELD - NO FAB REQUIRED

1 1/4" RODS PART NO.	DIMENSIONS		
	A	B	C
SR114D 0606	6"	6"	12"
SR114D 0609	6"	9"	
SR114D 0707	7"	7"	to
SR114D 0808	8"	8"	
SR114D 0810	8"	10"	240"
SR114D 0909	9"	9"	
SR114D 1010	10"	10"	

3/4" RODS PART NO.	DIMENSIONS		
	A	B	C
SR114D 0404	4"	4"	12"
SR114D 0405	4"	5"	
SR114D 0406	4"	6"	to
SR114D 0408	4"	8"	
SR114D 0410	4"	10"	240"
SR114D 4510	4.5"	10"	
SR114D 4512	4.5"	12"	
SR114D 0606	6"	6"	
SR114D 0610	6"	10"	
SR114D 0612	6"	12"	

16901 Wood-Red Rd.  
Woodinville, WA 98072  
**1-800-426-3917**  
Fax: 425-488-2424  
sales@schuylerrubber.com  
www.schuylerrubber.com



1036 Vicky Lane  
Broussard, LA 70518  
**1-866-347-9445**  
Fax: 337-321-4276  
sales@schuylermaritime.com  
www.schuylermaritime.com



## FOR SALE BY OWNER

### Blount Built Dinner Cruise Vessel



Launched New In 2000 • Overall Length & Beam 161' x 41' • Gross Tonnage: 96  
Current COI For Up To 570 Passengers  
This Vessel Has Been Operating In Fresh Water On The Potomac River Since 2005  
Hull, First And Second Deck Are Constructed Of Steel  
Decks Three And Four Are Constructed Of Aluminum  
State Of The Art Design With High Ceilings & Constructed Without  
Any Upright Interior Columns  
2 - 16V92NA Main Engines With ZF Marine Transmissions  
2 - 240 KW Spectrum Generators With Load Sharing  
1 - John Deere Bow Thruster  
Vessel Will Be Available April 2017

• Owner May Consider Possible Lease Or Partial Financing If Qualified •  
For More Information Or To Schedule An Appointment To View The Vessel  
Call: (516) 924-7120

## Amco Veba Marine Cranes

Available in different levels of marinizations - capacity from 6,700-535,000 ft. lbs.



In stock 806N FM 4S

6 ton | 47,700 ft. lbs. | 39'4" reach  
**\$17,649**

- 4 hydraulic extensions to 34'1"
- 1 manual extension to 39'4"
- Extra hydraulic function
- Hosing with bulkhead fitting for easy lengthening and valve placement
- Compact marine base for mounting

Power units and accessories available



Celebrating our 40th year serving the knuckleboom industry!

**800-739-4430**  
sales@fischercrane.com  
www.fischercrane.com

## 5 MILLION LBS. IN STOCK

### RENT - SELL - LEASE - TRADE

Anchors, Chain, Buoys, Yokohamas,  
Sea Cushions, Wire Rope and Fittings,  
Deck and Dock Hardware, Oil Boom,  
Towing and Salvage Equipment

NEW  
USED  
A.B.S.



## Anchor Marine & Industrial Supply, Inc.

P.O. Box 58645 Houston, TX 77258  
1-800-233-8014 (713) 644-1183  
24 Hour Service Fax: (713) 644-1185

WEBSITE: www.anchormarinehouston.com  
email: sales@anchormarinehouston.com

## Marine Construction Equipment For Sale



**Flexifloat Sectional Barge**  
Platform - **\$152,000**  
9 Barges Total Connected to Form a 90' x 30' x 5' Platform.  
2005 Twin Screw John Deere powered Tug 25' x 12' - **\$80,000**  
LS 78 Link Belt Crawler Crane 20 Ton Cap. - **\$20,000**  
Equipment is working daily.  
Lot price **\$250,000.00**



**60' Model Bow Tug Single Screw "Megan Garret" For Sale or Charter**  
Charter Rates Available Upon Request - Sale Price: **\$179,500**. Main Engine: 12V71 Detroit Diesel 450hp @ 1800 rpm. Marine Transmission: Twin Disc MG 514 with 6:1 reduction. Shaft size: 4.5" steel. Aux Engine: 271 DD 20 kw genset 120/240 VAC 20 hrs, hydraulic steering. Capacities: Fuel oil 6,000 gallons in four (4) tanks. Potable water: 1500 gallons (2) tks, head with macerator toilet, shower and basin. Galley with range, refrigerator, microwave, stainless steel sink and galley table. Ample storage for supplies. Marine sanitation device with 30 gallon holding tank and overboard macerator pump. Electronics: (2) VHF radios, Garmin 4200 bundle / radar, (2) GPS, depth finder, loud hailer. 24" spot light 120 vac, fuel transfer pump, towing gear and bridle. Last DD. 4/5/2013.

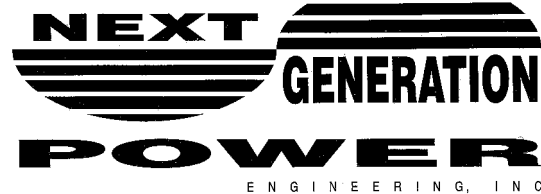


**St. Johns River Crane Barge**  
45' x 21' x 5' Ex Navy sectional barge platform. Raked bow with square stern. 3' x 30' spuds. 20 Ton Little Crane welded to deck.  
**\$55,000.00**

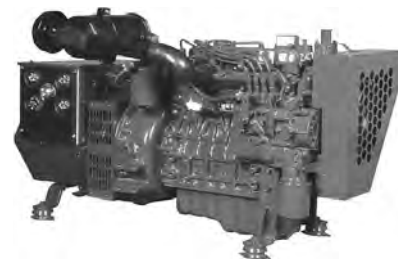
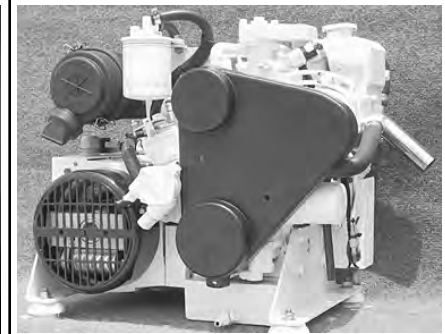


**50' Twin Screw Work Boat**  
(2) 671 Detroit Diesel engines (Low Hrs) Push knees on bow with (2) 20 Ton hand winches. 10 KW Generator (new 2014) AC in Main Cabin. Full Electronic w. Radar  
**\$52,500.00**

Contact River City Barge, Inc.  
Email: rcbarge@comcast.net • Call (904) 794-7617 • (904) 687-9295  
Additional equipment and barges available upon request.



## DIESEL GENERATORS



## Kubota 1800 RPM Generators

	Exchange Cooled	Keel Cooled	Radiator Cooled	
1cyl	3.5kw \$ 5,545.00	\$ n/a	\$ 4,395.00	Remote Radiator Only Add \$250.00 For Mounted Radiator
2cyl	5.5kw 6,690.00	5,425.00	5,575.00	
3cyl	7.0kw 7,995.00	5,850.00	6,125.00	Prices include ISO mounts, switch start with hour meter mounted, other accessories and options available.
3cyl	8.5kw 8,295.00	5,950.00	6,225.00	
3cyl	9.5kw 9,195.00	6,150.00	6,500.00	
4cyl	12.5kw 10,695.00	6,850.00	7,245.00	
4cyl	15kw 11,295.00	8,025.00	8,225.00	
4cyl	17.5kw 12,295.00	8,225.00	8,675.00	
4cyl	21kw 13,295.00	8,975.00	9,195.00	
4cyl	24kw 14,850.00	9,650.00	9,975.00	
4cyl	30kw 18,295.00	10,050.00	10,600.00	
4cyl	40kw 19,995.00	13,775.00	11,925.00	
4cyl	50kw n/a	15,150.00	13,225.00	

CALL FOR ACCESSORY PRICING

1732 St. Johns Bluff Road, Jacksonville, FL 32246  
www.nextgenerationpower.com

**888-463-9879**

Phone (904) 642-8555 • Fax (904) 642-8175



44' Custom Sportfish

USCG COI 18, twin 3208 Caterpillars (recently rebuilt), new fuel tanks, VHF, single side band radio, Northstar GPS/fish finder, Raytheon fish finder, radar, many more improvements.  
Boat: \$25,000.00 OBO

Call for more info (609) 408-3564



46' 1988 Trojan Int'l 14 Meter Conv.  
Twin 750 hp wet turbo diesels 900 orig. hrs., 12.5 Onan 1600 hrs., 16' 3" beam 2 SR 2 head layout

**Health Forces Sale  
Make All Offers  
(813) 641-8886**

[valbelle@tampabay.rr.com](mailto:valbelle@tampabay.rr.com)

**110' x 34' 1943 STEEL • EX-NAVY REPAIR BARGE**



All steel construction Appears to be in Very Good or better condition throughout! CLEAN: Used for Electronics repair. 96' two-story house w/ 7' 2" ceiling height. 7' open deck at each end. Approx. 3,250 sq. ft. on each of two decks & below main deck which has refrigerated storage & water integral tank approx. 2500 gal. Fully plumbed w/heads & showers on 2 decks, 500 cu. ft. holding tank. Fully

MODERNIZED electrical w/480/240/110 shore power & transformers. Fire suppression sys., Fiber optic wired thruout, vapor proof DOANE lighting. No propulsion or gen set. All interior walls on upper decks removed, totally open space ready for your EASY reconfiguration. Perfect conv. to camp, quarters barge, shops, display, retail, floating residence, etc. Loc. in fresh water at Seattle, WA.

**\$249,500.00**

**ALL Details • Photos: [www.PacificMarine.org](http://www.PacificMarine.org)  
Email: [david@pacificmarine.org](mailto:david@pacificmarine.org) • (206) 225-3360**

**NAVIDAD Production Barge  
\$245,000.00**



- 160' x 36' x 10', Double Rake
- Six mid-body compartments
- Oil production separator equipment
- Three metal oil storage tanks cleaned

**Contact: 850-255-5266  
[cgonsoul@gmail.com](mailto:cgonsoul@gmail.com)  
[www.mbbrokerage.net](http://www.mbbrokerage.net)**

**40' x 12' TUG BOAT**



Mostly Freshwater Use. Detroit 671, Air Shift Transmission. Cambridge, MD.

**\$30K OBO • (443) 521-7748**

**FOR SALE  
2005 BLOUNT BUILT  
DINNER CRUISE VESSEL**



Dimensions 84 x 29.4 x 5  
Capacity 150 Passengers  
Speed 10 -12 knots  
Features Bow Ramp, Full Bar  
Full Galley, Bridal Suite

**Turnkey and Ready for Service  
Spring 2017  
\$700K**

**Possible Modifications Options**



**[www.blountboats.com](http://www.blountboats.com) Call 401-245-8300**

**Custom Aluminum Construction**



**Derecktor - Built for the future.**

**Now Featuring Hybrid Propulsion Designs**

Clean, efficient, reliable power for those operators looking for quieter vessels, and who are concerned about the marine environment.

**Call James Brewer at (914) 414-1323  
or visit [www.derecktor.com](http://www.derecktor.com)**

**DERECKTOR**  
NEW YORK + FLORIDA SINCE 1947. GSA Contract Holder

**600 Ton Manitowoc 4600 S3/S2 Ringer**



**Your Trusted Resource for  
Heavy Marine Equipment**

**24 Hour Response | Portsmouth, VA**



**200 Ton Manitowoc 4000W Ringer**



**85 Ton Derrick**



**350 Ton Heavy Lift Derrick "Samson"**



**Truckable Push Tug "Teddi C"**

**Visit Us Online: [www.crofton.com](http://www.crofton.com) | For Pricing Contact: Mike Frohnafel | [mikef@crofton.com](mailto:mikef@crofton.com) | 757-397-1131**

**Heavy Lift Capacity up to 600 Tons | Hydraulic | Conventional | Barge Mounted  
Tug Rental: Truckables | Up to 1100 HP | Single & Twin Screw Engines  
Barge Rental: Sectional, Spud, & Deck Barges | 20' -185' Lengths | 10' - 55' Widths | 4' - 12' Heights**



116 Shipyard Rd, Freeport, FL 32439

**Quality Construction Competitive Prices**

Contact: Joe Heinz (850) 835-4125

**Aluminum Construction**



**Steel Construction**



www.gulfstreamshipbuilding.com • Email: sales@gulfstreamshipbuilding.com

**THINK AHEAD AHEAD Sanitation Systems**

**NEW GENERATION TECHNOLOGY**  
Sanitation Systems, Products & Supplies



- Compact
- Lightweight
- Corrosion Resistant
- Odor Free
- Simple Installation
- Easy Maintenance
- Customer Friendly
- Cost Effective

Ahead Tank Model AF-12T  
U.S.C.G. Certified Type II Marine Sanitation Device & L.M.O. Approved Sewage Treatment Plant  
(337) 330-4407  
headflusher@aheadtank.com  
www.aheadsanitationsystems.com

**FIBERGLASS SUPPLIES**

Epoxy, Vinylester, Polyester  
Gelcoats, Barrier Coats  
FG Laminate Angle & Panels  
Carbon Fiber, Kevlar  
Fairing & Bonding Compounds  
Marine Plywood, Core & More!



Technical Assistance  
800-231-6537

www.lbifiberglass.com



**CLOSING DATES • THIRD FEBRUARY ISSUE 2017**

**FOR DISPLAY**

February 13th, 2017  
9:00 A.M. C.S.T

**To Be Mailed**

February 17th, 2017

**FOR CLASSIFIED**

February 16th, 2017  
10:00 A.M. C.S.T



**SHIPS FOR SALE**



66.75 Ro-Pax Landing Craft 2015  
500+ Passenger / 90 Car or 12 Truck



100M Open Ro-Ro Ferry 2015  
1000 Passenger / 205 Car



66.75M Ro-Pax Landing Craft 2016  
500 Passenger / 90 Car or 12 Truck



77.6M Ro-Pax Landing Craft 2010  
1000 Passenger / 130 Car / 1.8M Draft



33.5M High-Speed Cutter Patrol  
2012 CAT engines / 22 knot cruise



65M Landing Craft Cargo 2007 RINA  
809t Capacity - 15 days at 8 knots

Atlantic Yacht & Ship has a variety of commercial ships to choose from. This ad depicts a small selection of vessels available. Contact us for any commercial vessel including patrol vessels, double ended ferries, fast ferries, and landing crafts, tankers, ANYTHING. We have ships available in every age from old to brand new, and a broad range of prices to suite your requirements.



Doug Hoogs  
+1-954-643-6386  
doug@ayssales.com



Brent de Sellier  
+1-954-662-6241  
brent@ayssales.com



**METAL SHARK**  
METALSHARKBOATS.COM



36' Courageous



38' Defiant



75' Endurance

337.364.0777 • sales@metalsarkboats.com

**BARGES FOR RENT**



Barges 4 Rent

Sectional Barges • Located In Florida  
40 x 10 x 5 & 60 x 11 x 4

Contact: (305) 965-8852  
Email: [barge@bargerent.com](mailto:barge@bargerent.com)



2002 Linkbelt 2800 Marsh Excavator Presco  
One Load, 6400 Hrs., A/C, Heat,  
50' Reach, Excellent Condition.

\$180,000.00 • N.J. • (215) 624-2221

**Aluminum Crewboat**



Twin 200 Suzuki's, closed cabin, A/C & heat,  
seating for 6 passengers 2 crew, push knees,  
tow bitt, generator. Trailer included.

\$48,000  
(409) 626-2055 or (409) 853-2090


**FOR SALE**



Hydraulic boat trailer, good to 30' boat.

\$7,500.00 or BO  
(508) 954-8462

**WORKING SHIPYARD FOR SALE**



7 Acres of land, 25,000 sq. ft. of covered fabrication shops, over 2 acres of concrete area, 60 ton Marine Travel lift, cherry pickers 2, fork lifts 3, tractor 1, man lift 1, scissor lifts 2, 120 ton press break, numerous welding machines, plasma cutters, saws and tools, 21" LFMT Lathe 1. 600 feet of water front, 200 feet with steel bulkheading, 4,000 sq. ft. of ware house area, 1,840 sq. ft. of office space.

**\$2.5 M**  
Financing available to qualified buyer.  
Gulf Coast of Louisiana  
Call (337) 519-1582

**Two Travel Lifts For Sale**



35 Ton and 70 Ton. Both machines diesel powered and very well maintained, both in working condition. Need to sell, new machines are in.

\$40,000 for 35 Ton. \$50,000 for 70 Ton.  
\$75,000 for both or make offer.  
Call Star Island Yacht Club (631) 668-5052

**Northeast Industrial & Marine Equipment Supplies**  
661 Route 9 Cape May, NJ 08204  
1-800-884-3152 609-884-3152 609-884-3510  
Fax: 609-884-3170, Check Us Out @[www.northeastindustrialnj.com](http://www.northeastindustrialnj.com)

**EQUIPMENT SUPPLIES FOR ALL PHASES OF THE FISHING, DREDGING, MARINE CONSTRUCTION, AND TRANSPORTATION INDUSTRIES**



- Custom Winch Systems 1,000 to 300,000 Line Pulls
- Custom Built Winches - 1,000 lb. to 200,000 lb. Line Pull & Diesel HPU Units
- Electric HPU Units
- Spud Handling Systems & Barge Anchoring Systems
- Used Equipment Refurbishing
- Equipment Rentals - Winches, Power Units

John Deere / Yanmar Industrial Engines

- Custom Built Barges

National & International Services  
Hydraulic, Welding, Machine Shop Service  
Email us @ [neindustrial@hotmail.com](mailto:neindustrial@hotmail.com) or [contact@northeastindustrialnj.com](mailto:contact@northeastindustrialnj.com)



**VIKING FENDER**

**VIKING ENHANCED SOFTLOOP FENDER**

*When Push Comes to Shove  
Have a Viking on Your Side*

- The softest, most forgiving ship assist fender on market
- Designed for greater energy absorption and gripping ability
- Ideal for tractor tugs, bow, stern and side fenders
- Side hip fenders for tug and barge units
- Pier cell fenders

Quality Recycled Materials  
a division of Viking Marine Products, Inc.  
977 New Durham Rd, Edison, NJ 08817  
Tel: +1 732-826-4552 • Fax: +1 732-826-5533  
Complete Brochure at: [www.vikingfender.com](http://www.vikingfender.com)

**CLOSING DATES • THIRD FEBRUARY ISSUE 2017**

<b>FOR DISPLAY</b> February 13th, 2017 9:00 A.M. C.S.T	<b>To Be Mailed</b> February 17th, 2017	<b>FOR CLASSIFIED</b> February 16th, 2017 10:00 A.M. C.S.T
--	--	--

**FLOATING DOCKS, GANGWAYS, SEAWALLS**  
**RAVENS MARINE, INC.**



3295 ORANGE AVENUE  
KISSIMMEE, FL 34744  
PH: 407-935-9799  
TOLL FREE: 800-676-3023  
FAX: 407-935-9436  
[www.ravensmarine.com](http://www.ravensmarine.com)  
[ravens@ravensmarine.com](mailto:ravens@ravensmarine.com)



**AT RAVENS MARINE, QUALITY IS #1**



FROM THE BACKYARD DOCK TO THE FULL SCALE MARINA, WE MANUFACTURE THE COMPLETE "PICTURE"





**HL130M DRI-PRIME PUMP**



**6X6 JET PUMP**

**FRANKIE STEVENSON, (757) 431-7217**  
**[FSTEVENSON@PRECONMARINE.COM](mailto:FSTEVENSON@PRECONMARINE.COM)**  
**FOR FULL SPECS, CUT SHEETS AND PRICING CHECK OUT:**  
**[PRECONMARINE.COM/EQUIPMENT](http://PRECONMARINE.COM/EQUIPMENT)**  
**ALL EQUIPMENT—FOR SALE OR LEASE**  
**UPON AVAILABILITY**



**ANVIL 25T GRAPPLE**



**ICE 416 VIBRO HAMMER**



**LINK BELT LS 248**  
**200 TON**  
**2010**



**ATLAS 20T GRAPPLE**



**3 Each Allis Chalmers**  
**475 KW GENSETS**



**AMERICAN 7250**  
**CRANE**



**D200 PILE**  
**HAMMER**



**DIVE EQUIPMENT**  
**AVAILABLE FOR**



**LINK BELT LS348**  
**300 TON**  
**2015**



**SJ BARGES 260'X52.5'X12'**  
**Call For Price**



**THE TAMPA**  
**2014 TRUCKABLE TUG**



**ROBISHAW S-50 FLEXI**  
**FLOATS**



**1983 MONARCK**



**ECB 4003 BARGE 140'X40'X8'**  
**ABS CERT. POR—Call For Price**



**ECB SECTIONAL BARGES**  
**41'x10'x5'**

**HERB JOHNSON, (757) 431-7205**  
**[HCJOHNSON@PRECONMARINE.COM](mailto:HCJOHNSON@PRECONMARINE.COM)**  
**ALL EQUIPMENT—FOR SALE OR LEASE**  
**UPON AVAILABILITY**

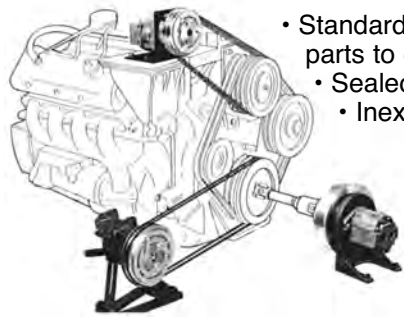


**120x30 Material Barges**  
**Lease or Purchase**

## Specify PITTS Heavy Duty Electric Clutches & Mounts

*Adaptable, Dependable... Easy to Install & Maintain*  
**SHAFT OR V-BELT DRIVEN MARINE CLUTCHES**

- 75 to 1500 lbs - ft • 12 or 24 VDC power supply • Compact
- Zinc plated-meets ASTM B-117 salt spray test
- SAE pump mount-several options available



- Standard drive shaft flange input requires fewer parts to connect to drive train
- Sealed bearings-no lubrication required
- Inexpensive

**PITTS**

*The Clutch People*  
 Distributed/Represented  
 in Canada and the East Coast by:

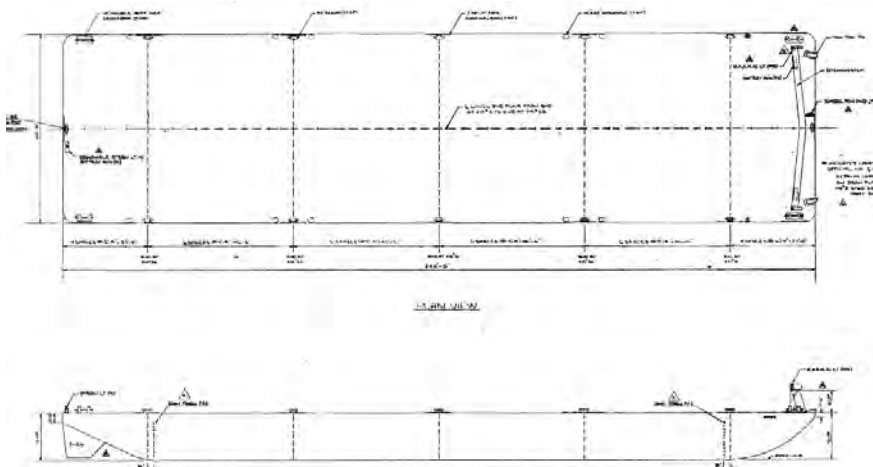
### Coastal Hydraulics

28 Route 286, Seabrook, NH 03874  
 (603) 474-1914 • FAX (603) 474-1902

## U.S. Flag Tug & Barge For Sale Direct From Close Owners



**File: TG21090 Tug - Twin Screw:** 90' x 32' x 11.2' depth x 6' light x 8.5' loaded draft. Built 1982 by Dakota Creek Industries.; Anacortes, WA. U.S. flag. GRT: 147. ABS +A1 Towing Service +AMS exp. Mar 2019. Docking due May 2017. Annual overdue Mar 2016. Laid up in active class. FO: 60,000g. FW: 4,000g. Smatco single drum winch. Wire Capacity: 1,900' x 1.75". Main Engines: 2 x CAT 3512 total 2,110HP. Twin Disc 6.18:1 gears. 4-blade FP props in kort nozzles. Bowthruster. Bollard Pull: 24T. Gensets: 2 - CAT 3304. Steel hull with aluminum house.



**File: DB24016 Deck Barge - Ocean:** 240.0' x 60.0' beam x 15.0' depth x 11.9' draft. Built 1981 by FMC Marine; Portland, OR. U.S. flag. GRT: 1,856. Class: ABS + A1 Unrestricted Deck Cargo Barge. Laid up in active class. Docking overdue Mar 2016. Special Survey due Apr 2018. Deadweight: 4,300st. Bulkheads: 1 long'l / 5 transv. 27' bow & stern rakes with skegs aft. Breakwater forward. Wooden wear deck.

Call for prices, further technical details and to arrange inspection.  
 Inspection / Delivery: U.S. West Coast. Prompt.

**Marcon International, Inc.**

Tel: 360-678-8880 e-mail: [info@marcon.com](mailto:info@marcon.com) Fax: 360-678-8890  
[www.marcon.com](http://www.marcon.com)

## WHEN CAN YOU HAVE YOUR YACHT BE YOUR BUSINESS, HOME, AND TOY? 80' CHRIS CRAFT ROAMER



**COAST GUARD CERTIFIED**  
**US\$ 595,000.00 Loc. BOSTON MA**

This yacht holds a COI for up to 65 passengers +3 crew 20 miles from shore. This beautiful classic aluminum Chris-Craft Roamer (the largest yacht built by Chris-Craft) (75' stretched to 80') has a large spacious flybridge with allowed capacity of 65 passengers. This vessel is laid out with a forward crew berth with a centerline head & shower, a single captains bunk to port & double crew bunks to starboard. Aft of crew quarters is a watertight bulkhead. Aft of the watertight bulkhead are (2) guest quarters w/queen size beds. Each guest quarters has its own shower & head. Aft of the guest quarters is another watertight bulkhead with entry to machinery spaces. In the machinery spaces are (2) 1271 Detroit, one with a power take off for bow thruster and (2) 20 Kw Onans. The master stateroom fills the stern area fitted with a queen size bed & setting area. The master stateroom also has its own head & shower. Main deck house is laid out with a newly refitted pilot house followed by a full modern galley and large grand salon with upgraded sound & video equipment. Aft main house is a fully enclosed flybridge with a spacious sundeck. In 2016 the entire hull was professionally painted with Awlgrip & new carpet throughout. In 2015 new Bimini & Isinglass for top deck & enclosure. In 2006 over \$600,000 was spent to certify this yacht. Many upgrades & improvements have been made to the yacht to keep it one of the most outstanding in the industry.



Contact: Terry Kirkman • 617-304-2390  
 To View More Photos Go To: [motoryachtsecretlove.com](http://motoryachtsecretlove.com)

## MARINE PILOT HOUSE CHAIRS

- Adjustable Swivel Seat
- Aluminum Inland and Offshore Bases
- \$740.00** F.O.B.
- Port Arthur, TX



**Texas Wheel Works, Inc**  
 PO Box 1276 • Port Arthur, TX 77641-1276  
**PHONE: (800) 238-9402**  
**FAX: (409) 984-5690**

## MARINE TRAVELIFT 200 BFM 1994



Capacity: 440,000 Lbs., ICW: 36', ICH: 35', New hoist chains, new drive chains for wheels, John Deere diesel engine, dual hydraulic sling adjustment, new 4-ply slings, complete with hardware, chine and keel pads for protection, new galvanized wire rope throughout.

Available: February 2017  
 Contact: Jason Johnson  
[jjohnson@marinetraavelift.com](mailto:jjohnson@marinetraavelift.com)  
 (920) 743-6202 • Marine Travelift, Inc.

## 3 VERY WELL MAINTAINED FERRIES FOR SALE



**250 PASSENGER FERRY**



**300 PASSENGER FERRY**



**250 PASSENGER FERRY**

**For More Information Including Sale Price Please Contact:**  
**Paulo Pessoa • (905) 515-1435 • [ppessoa@mckeil.com](mailto:ppessoa@mckeil.com)**

# EVANS BOATS, INC.

www.evansboats.com 1-800-545-2592 443-783-0529  
 evansboats@hotmail.com



53' x 21' CAT • 76 PASSENGER PLUS 2 CREW • 21 KNOT CRUISE  
 Call For Details & More Information On All Options And Boats Available!



**REDUCED**

1990 Lydia 75' x 22'. New in 2016. Two 6135 John Deere 650 HP. Warranty to May 2018, New Twin Disc Gears. New Props. USCG Certified for 144 Passengers 100 NM. 28 Passenger Upper Deck. (2) 21 KW Gens. ....\$549,000



**REDUCED**

1973 Sewart Seacraft 85' x 20'. All Aluminum USCG Cert. for 180. (2) Decks 3 1271TI Detroit Diesel. (2) 20 KW Onan Gens. ....\$495,000

For More Info Call (609) 602-9048 • backharborboats.com  
 info@capemaycharters.com

## 100% Stainless Steel Construction

# This Muffler can go to HELL and take the HEAT!!!

www.the-flex.com

**Exhaust System Silencers Style 1-2**

PART #	A	B	C	D	PRICE
AIM-03	3.500"	6.625"	15"	9"	\$360
AIM-04	4.500"	8.625"	18"	12"	\$385
AIM-05	5.563"	10.750"	21"	15"	\$415
AIM-06	6.625"	12.75"	24"	18"	\$580
AIM-08	8.625"	16.00"	30"	24"	\$715
AIM-14	4.500"	8.625"	22"	16"	\$470
AIM-15	5.563"	10.750"	26"	20"	\$550
AIM-16	6.625"	12.75"	30"	24"	\$745
AIM-18	8.625"	16.00"	38"	32"	\$965
AIM-24	4.500"	8.625"	46"	40"	\$910
AIM-25	5.563"	10.750"	56"	50"	\$1,210
AIM-26	6.625"	12.75"	66"	60"	\$1,450
AIM-28	8.625"	16.00"	86"	80"	\$2,250



**Carbon Steel Beveled Pipe Stainless Flexible Exhaust**

NOTE: Above is styles 1 & 2 only!

PART #	HOSE I.D.	A	B	C	D	PRICE
WW-150	1.5"	6.000"	.145"	3.000"	1.900"	\$40
WW-2	2.0"	-	.154"	-	2.375"	45
WW-250	2.5"	-	.203"	-	2.875"	55
WW-3	3.0"	-	.216"	-	3.500"	75
WW-4	4.0"	-	.237"	-	4.500"	90
WW-5	5.0"	-	.258"	-	5.563"	100
WW-6	6.0"	-	.280"	-	6.625"	115
WW-8	8.0"	-	.322"	-	8.625"	150

**Carbon Steel Flanged Pipe Stainless Flexible Exhaust**

PART #	HOSE I.D.	A	B	C	D	PRICE
FF-150	1.5"	10.52"	.875"	12.000"	1.950"	\$70
FF-2	2.0"	10.00"	1.000"	-	2.440"	85
FF-250	2.5"	9.750"	1.125"	-	2.940"	115
FF-3	3.0"	9.625"	1.1875"	-	3.570"	135
FF-4	4.0"	9.375"	1.3125"	-	4.570"	200
FF-5	5.0"	9.250"	1.4375"	-	5.660"	240
FF-6	6.0"	8.875"	1.5625"	-	6.720"	265
FF-8	8.0"	8.500"	1.750"	-	8.720"	350

**Thermal Insulation Blanket Kits**

PART #	PRICE
TIB-3-4	\$45
TIB-5	\$60
TIB-6	\$70

• Crafted from high-purity alumina-silica ceramic fiber blanket and woven fiberglass impregnated with silicone resins. Blanket is firmly stitched with Kevlar thread and is reusable.

• Resists damage, absorbs sound, suitable for operating temperatures up to 1000° F.

• Thermal and physical properties are restored after drying if water, steam or oil wets TIB-kit.

• Built to wrap circumferences in multiples of 6" (6", 12", 18"+) or spiral wrap around long lengths. (Custom widths available)

Fire resistance - meets requirements for combustibility as specified by U.S. Coast Guard 164.009

**AIM**  
 APPLEGATE INDUSTRIAL MATERIALS INC.  
 P. O. Box 428, Baton Rouge, LA 70821-0428  
 1-225-336-4116 • fax 1-225-336-4317  
 1-800-843-3539 • www.the-flex.com  
 E-mail: info@The-flex.com

We Stand by our work.

AIM has set the standard for reliability, durability & service for over 25 years. Run silent, run deep.

Most items are shipped within 24 hours. We offer shipping by Fed-Ex, Emery, US Postal Service, Motor Freight, Greyhound Package Express, or Will Call. Easy payment options including: Visa, Mastercard, American Express, Discover, C.O.D. or 30 day invoicing with approved credit.

# INSURANCE SOLUTIONS

## NOT EXCUSES...

- Tugs & Barges
- Fishing Vessels
- Charter Boats
- Live Aboards
- Marine Contractors
- Diving Contractors
- Marinas
- ROVs
- Workers Comp.
- Jones Act
- Equipment
- USL&H
- General Liability
- Bonds

**Paul Lynch & Associates, Inc.**  
 Insurance Consultants & Agents

701 N. Federal Highway, Suite #401, Stuart, FL 34994  
 Telephone (772) 232-9371 Facsimile (772) 232-9375  
 info@insuremarine.com www.insuremarine.com



Ray Reeves, Owner  
 PO Box 4015, Houma, LA 70361  
 Office: 985-876-4242  
 Cell: 985-637-0722  
 rayreeves@bellsouth.net

## Reeves Boat Company Has The Following Inland Crew Boats For Sale



- |  |  |   |
|--|--|---|
| <p><b>Capt David</b> - Built by: Breaux's Bay Craft (Aluminum)<br/>                 Year: 1982 - Length: 41' - Breadth: 14' - Depth: 6'<br/>                 Engines: 2- 671 Detroit, 1- 8KW Northern Lights Generator</p> | <p><b>Miss Sybil</b> - Built by: Breaux's Bay Craft (Aluminum)<br/>                 Year: 1982 - Length: 41' - Breadth: 14' - Depth: 6'<br/>                 Engines: 2- 671 Detroit, 1- 8KW Northern Lights Generator</p> | <p><b>Miss Eunice</b> - Built by: Breaux's Bay Craft (Aluminum)<br/>                 Year: 1982 - Length: 43' - Breadth: 14' - Depth: 6'<br/>                 Engines: 2- 671 Detroit, 1- 8KW Northern Lights Generator</p> |
| <p><b>Mr. Ched</b> - Built by: Breaux's Bay Craft (Aluminum)<br/>                 Year: 1973 - Length: 40' - Breadth: 13' - Depth: 6'<br/>                 Engines: 2- 671 Detroit, 1- 8KW Northern Lights Generator</p>   | <p><b>Ted</b> - Built by: Breaux's Bay Craft (Aluminum)<br/>                 Year: 1976 - Length: 40' - Breadth: 14' - Depth: 6'<br/>                 Engines: 2- 671 Detroit, 1- 8KW Northern Lights Generator</p>        | <p><b>Paul Ray II</b> - Built by: Breaux's Bay Craft (Aluminum)<br/>                 Year: 1981 - Length: 43' - Breadth: 14' - Depth: 6'<br/>                 Engines: 2- 671 Detroit, 1- 8KW Northern Lights Generator</p> |

Please call for any additional information and price.

# Ron Cooper Catamarans

## THE MONEY MAKERS

✓ WE BUILD ONE OF THE MOST FUEL EFFICIENT PASSENGER VESSELS IN THE WORLD



**63' x 24' Catamaran, base price \$399,000 plus power, stability test for 200**

**The perfect vessels for:**

- Day/Snorkel Trips
- Sightseeing
- Booze Cruises
- Cruise Ship Tenders
- Over 130 Built



All New 47' x 15.5' Catamaran • USCG Stability test for up to 70 passengers • Introductory base price \$139,000 plus power • Economical and very stable • Glass bottom available • Set up for beach loading • Fast delivery

Call Ron Cooper (727) 804-6389 www.coopermarine.com

### Type I Offshore Life Vest

## KENT

USCG Approved with reflective tape, light loop and whistle attachment.



**\$32<sup>99</sup>**

Adult Universal PFD-1A  
Order# 748930

### Premium Adult Universal USCG Approved Immersion Suit

## KENT

High visibility yellow inflatable head pillow, face mask, mitts and ankle adjustments. Removable head pillow. Articulated arms for easier donning. Includes buddy line and whistle.



KNT-1540-AU **\$249<sup>99</sup>**  
Order# 753274

### Adult Universal USCG Approved Cold Water Immersion Suit

RVS-1409A **\$259<sup>99</sup>** **IMPERIAL**  
Order# 743829



# HAMILTON MARINE

## 40th Anniversary

1977  2017

### GME ACCUSat™ EPIRBs

406 MHz. 6 Year Non-Haz Mat battery, 6 Year warranty. Stainless steel antenna. USCG/GMDSS Approved.

**6 Year Battery!**



Cat II Manual  
Order# 731676  
**\$349<sup>99</sup>**

Cat I Auto  
Order# 731678  
**\$469<sup>99</sup>**

### KENT In-Sight Offshore Automatic/Manual Inflatable PFD

USCG APPROVED Type V with Type II Performance

Heavy-duty 420 denier nylon shell. Neoprene comfort collar. SOLAS grade reflective tape. In-Sight window shows armed status. Full 35 lbs buoyancy.

**LIMITED QUANTITIES!**

**\$99<sup>99</sup>** **SAVE \$50**



Reg 149.99

Color Order#  
Orange 752862  
Red 761645

### Firstwatch AB-1100 Flotation Bomber

USCG APPROVED Type III

High visibility stowaway thermal hood, 3M™ SOLAS reflective panels, reinforced 500 denier elbow and cuffs. Neoprene lined cuffs. Ripstop shell for lasting durability. Black/Red.



**\$194<sup>99</sup>**

S M L XL 2XL  
743038 743039 743041 743042 743043

### High Performance LED Lights

M-Series patented specter and hybrid optics allow combinations of high performance flood and spot lighting for multiple marine lighting needs. High purity aluminum housing. Superior light with ultra low power consumption.

SEARCH# RIL-



**Starting At \$113<sup>99</sup>**

### Grundies Base Layer Long Underwear

GRUNDENS

Made from a super comfy and high performing merino wool, polyester hollow core, spandex blend. This all new style combines the light weight of the Fiske Skin with the warmth retention and comfort of the Arctic Skins. Dark Slate. S-3XL

SEARCH# GRD-GB

Shirt or Pants  
**\$39<sup>99</sup>** each



### Foul Weather Gear


GRUNDENS

**HUGE SELECTION IN STOCK!**

Search# GRD-



**WE MARK AND SWAGE WIRE!**



Galvanized or Stainless Steel wire, from 1/4" to 1" diameter. We hand and machine (commercial) swage wire and mark wire for fishermen the old fashioned way.

### 5/16" Black Shock Cord

UV resistant, solid black.

Order# 740364  
**35¢ FT \$97<sup>99</sup>**  
500 Ft Spool

Double cover, green tracer.

Order# 740363  
**39¢ FT \$109<sup>99</sup>**  
500 Ft Spool



### Electric Rope Cutting Guns

100 Watts  
**\$29<sup>99</sup>**  
PUR-15463  
Order# 127675


120 Watts  
**\$39<sup>99</sup>**  
PUR-15463HD  
Order# 735613



# SPECIAL! BEST DEALS ON ROPE!

### 3-Strand Nylon

High-tenacity white nylon multifilament fiber. Four-stage construction produces a torque-balanced rope with medium lay. Meets or exceeds Cordage Institute, US and Canadian Military standards.




**600 ft Spools**

Size	Order#	Tensile Strength	Ft Price per Reel	600' Reel
3/8"	118628	3700 lbs	0.17	95.49
7/16"	118630	5000 lbs	0.22	129.46
1/2"	118631	6400 lbs	0.28	169.55
5/8"	118632	10400 lbs	0.44	266.83
3/4"	118633	14200 lbs	0.64	385.35
7/8"	118634	17280 lbs	0.88	525.64
1"	118635	25000 lbs	1.09	656.76
1-1/8"	118636	33000 lbs	1.31	787.77
1-1/4"	118637	37500 lbs	1.59	956.28
1-1/2"	118639	53000 lbs	2.29	1372.79

### Polypropylene

General purpose, monofilament fiber, balanced construction, medium lay, good strength, moderate stretch, lightweight and buoyant. Good UV resistance. Yellow.




**600 ft Spools**

Size	Order#	Tensile Strength	Ft Price per Reel	600' Reel
3/8"	118671	2700 lbs	0.08	50.57
7/16"	118673	3300 lbs	0.11	68.11
1/2"	118675	4200 lbs	0.15	89.72
5/8"	118677	6200 lbs	0.23	140.28
3/4"	118678	8500 lbs	0.34	202.61
7/8"	118680	11500 lbs	0.46	276.78
1"	118681	14000 lbs	0.55	332.48
1-1/4"	118683	21000 lbs	0.85	510.01
1-1/2"	118684	29700 lbs	1.21	728.03

### Poly Plus Rope

High-tenacity polyester with polypropylene core, medium lay, good strength/low stretch, good abrasion resistance, excellent UV resistance. White with orange tracers.



**600 ft Spools**

Size	Order#	Tensile Strength	Ft Price per Reel	600' Reel
3/8"	118655	3200 lbs	0.13	80.93
7/16"	118656	3900 lbs	0.18	106.71
1/2"	118657	5400 lbs	0.23	136.05
5/8"	118658	7200 lbs	0.35	209.81
3/4"	118659	9800 lbs	0.50	298.27
7/8"	118660	13500 lbs	0.70	416.68
1"	118661	17000 lbs	0.80	482.21
1-1/8"	118662	21000 lbs	1.00	600.03
1-1/4"	118663	25000 lbs	1.23	736.26
1-1/2"	118664	41000 lbs	1.73	1038.22

**FISHING • SAFETY • HARDWARE** 800-639-2715 [hamiltonmarine.com](http://hamiltonmarine.com)

PORTLAND ROCKLAND SEARSPORT SOUTHWEST HARBOR JONESPORT

*Typographical errors are unintentional and subject to correction.*



# HAMILTON MARINE

## 40th Anniversary

1977  2017

### Exhaust Wrap

Manufactured from fiberglass  
Contains no asbestos  
Sold in 100' rolls

**Best Seller!**



Part#	Size	Order#	SELL
HM-EW2	2" x 1/16"	117646	22.99
HM-EW3	3" x 1/16"	117648	33.99
HM-EW4	4" x 1/16"	117649	44.99

### Series 250 Water/Exhaust Hose

Shields Flex Marine Exhaust  
1/2" - 6" dia.  
Search# HMH-250



### Trident Flex Marine Wet Exhaust

TRIDENT MARINE  
1-1/2" - 8" dia.  
Search# TRD-250



### MARINE HEAT Heaters

**FREE HEAT from your engine's closed cooling system!**  
Flush Mount or Ducted Models, available in 28,000 or 40,000 BTUS



Search# MH-

### Fire Extinguisher Systems **FIREBOY** 100% OZONE SAFE!

#### CG2 Series

Heat-activated discharge is automatic at 165° F, 74° C. A control panel indicator lamp and pressure gauge provide "charge/discharge" system status. Diesel powered craft must also install Auto Engine Shutdown System.  
Search# FBY-CG2

#### MA2 Series

Manual/Auto discharge feature positive backup via a mechanical pull cable. Diesel powered craft must also install Auto Engine Shutdown System. For use in USCG inspected vessels.  
Search# FBY-MA2



### Coosa Composite Panels

Use in place of plywood!

High density, polyurethane foam, reinforced with layers of fiberglass strands throughout. Lightweight, non-rotting.



SEARCH# CSA-

### Extren® Fiberglass Structural Shapes & Plates

**GET THE WOOD OUT!**

Corrosion and UV resistant, lightweight, high strength, low maintenance!



SEARCH# SGW-

### SAFSTRIP® Fiber-Reinforced Strengthening Strip

**STRONGWELL**

A pultruded composite strip that improves the strength of an existing structural member when mechanically fastened to the structure. Can be applied to bridges without interruption of service.



SEARCH# SGW-SAFSTRIP

### Floor Anchors

316 stainless steel, will not corrode, discolor or damage the wood. Safely holds 500 lbs per unit, 1000 lb breaking load. Opening mechanism is a simple bayonet style, with 1/4" turn lock and release that will not loosen with age.



Floor Boards	Material	Order#	Each	Order#	4-Pack
1/2"-3/4"	Stainless	759973	10.49	759950	37.99
1/2"-3/4"	Brass	759974	10.49	759980	37.99
7/8"-1-1/4"	Stainless	759975	11.49	759953	42.99
7/8"-1-1/4"	Brass	759977	11.49	759981	42.99

### Starter Kit

Includes 4 floor anchors, custom countersink cutter, all drill bits and tap required, with installation instructions.



Floor Boards	Material	Order#	SELL
1/2"-3/4"	Stainless	759949	74.99
7/8"-1-1/4"	Stainless	759952	78.99

### Noise Control

32" x 54" sheets. Reinforced metallized polyester film facing with adhesive backing.

1" Thick Sound Absorber  
HMO-SA3254M1 Order# 154807 **\$79<sup>99</sup>**

1" Thick Sound Barrier Composite  
HMO-SBC3254M1 Order# 154810 **\$94<sup>99</sup>**



(Sound Barrier Composite Shown)

### FREEMAN MARINE EQUIPMENT, INC. Cast Aluminum Commercial Hatches

Fast acting, flush, watertight. Easily installed in any deck style.

15" x 24"

**\$599<sup>99</sup>**

**SAVE \$120**



Reg 719.00  
FMN-2433-0002  
Order# 754527

24" x 24"

**\$1099<sup>99</sup>**

**SAVE \$230**



Reg 1329.00  
FMN-2424-0002  
Order# 754529

### Anchor Inspection Hatches

Anodized Aluminum with Stainless Steel Flange

**Many Sizes Available!**

16" x 24"  
HM-H1624A Order# 117454 **\$419<sup>99</sup>**



### Commercial Bumper

Black. Up to 60 ft lengths.

2-1/8" Base Width, 2" High, 7/16" Wall Thickness  
DAM-DB-50 **\$779 FT**  
Order# 107117

3-1/8" Base Width, 2-7/8" High, 11/16" Wall Thickness  
DAM-DB-75 **\$1549 FT**  
Order# 107128

Insert Strips and Molded Corners Available



Strip inserts here. Sold in lengths up to 10'



### Fan Nose Bumper

Black. Up to 60 ft lengths.

2-1/2"W x 3" OD, 5/8" Wall Thickness  
DAM-DB-503 **\$1649 FT**  
Order# 148198

3-3/4"W x 4-1/2" OD, 3/4" Wall Thickness  
DAM-DB-504 **\$2349 FT**  
Order# 147124



**MARINE SANITATION DEVICE**  
*The Original POOP PLANT*

USCG Approved Type II MSD  
 4/12/16 man sizes compact/low profile  
 Fits anywhere modular flexible design



**Economy Type II MSD**  
 Simple & Reliable EZ Install  
 Built Like A Tank  
 Corrosion Proof ---- Last Forever  
 TheTankMSD.com (314) 579-9755


\*\*\*\*\*  
**Diesel Fuel Purifier**  
 Bubba Proof \* filter-less filter  
**HAS NO!**  
 Moving Parts  
 Replacement Media  
 BS Smoke & Mirrors  
 How about simply?  
 Just Clean Fuel!



SkimOil Inc. (314) 579-9755  
[www.thefuelpurifier.com](http://www.thefuelpurifier.com)

**TWIN DISC**  
 Marine Gears, Torque-Converters - ALL  
 Supplier & Rebuilder "Since 1982"  
[www.RMIservices.com](http://www.RMIservices.com)  
 (504) 347-4361

ATLASS INSURANCE QUOTE LINE:  
**800-330-3370**



**FOR FAST RESPONSE ON**  
**Tugs • Barges • Rigs Crew,**  
**Work & Supply Boats,**  
**Sightseeing**

**MARINE INSURANCE**  
 1300 SE 17th Street, Ste. 220  
 Ft. Lauderdale, Florida 33316  
 Tel (954) 525-0582 • Fax (954) 525-0588  
[www.atlassinsurance.com](http://www.atlassinsurance.com)

**OOPS Oily Bilge Filters**  
 SKIM-OIL  
 Sizes for all boats  
 Simple Inline Filter  
 Works With Any Pump  
 Overboard oil prevention system  
 1/10 the size and cost of oil water separator  
[www.TheBilgeFilter.com](http://www.TheBilgeFilter.com) - (314) 579-9755


**Oily Water Separators**  
 BRUTE marine oily water separators (OWS)  
 Quality made in USA - sizes from 0.5 to 45 GPM  
 USCG/ABS/BV Approved  
 Meets IMO/MEPC 107 (49)  
 See new Mini-Brute 1/2 the size and cost  
[www.BRUTEows.com](http://www.BRUTEows.com) - (314) 579-9755

**FUEL FILTER ALERT & ALARM SYSTEM**  
 Ever had bad fuel?  
 Shows Filter(s) Status -- NOW!  
 Remote Digital Display  
 Cell Phone & PC Connectivity  
 Rugged & Simple - Bubba Proof  
 SKIM-OIL (314) 579-9755  
[www.fuelfilteralert.com](http://www.fuelfilteralert.com)



**Need To Sell?**  
**Advertise With Us!**  
**The Money You Save**  
**Will Be Your Own!!**

**Automatic Pot Line Coilers**



**The Extra Deckhand®**  
 Hydraulic Line Collars  
 The patented 40# wonder that's  
 Made in Alaska to be Alaskan Tough  
[WWW.EXTRADECKHAND.COM](http://WWW.EXTRADECKHAND.COM)  
 E.D. Industries LLC - 10006 Crazyhorse Drive  
 Juneau, Alaska 99801  
 Tel./Fax - (907) 789-9164

**Serving Both Coasts Of The United States  
 And The Gulf Of Mexico**



Vessels Built Over 70 Years Of Fabrication Include: Double Hull Tank Barges, Hydraulic Dump Scows, Deck Cargo Barges, ATB Barges, Ro-Ro Barges And Many Custom Vessels.

Call Chuck Garman At Gunderson Marine (800) 253-4350  
**GUNDERSON MARINE**  
 A GREENBRIER COMPANY  
 4350 NW Front Avenue, Portland, Oregon 97210  
 Call Chris Cole At Our Gulf Coast Office (504) 722-3526

**FOR SALE OR RENT**



**Army Bridge Boats**  
 27' x 8' Twin Diesel GM 353,  
 3-1 Trans, 25 x 19 Prop.  
 For Location & Price  
**(916) 539-8199** or  
[osmsinc@gmail.com](mailto:osmsinc@gmail.com)  
 Trailers May Be Available Separate

**Offshore Oil Rigs & Marina WINDSOCKS**



**FACTORY DIRECT**  
 IN STOCK AND READY FOR IMMEDIATE SHIPMENT  
**AIRPORT WINDSOCK CORPORATION**  
 1-800-579-5135 952-890-9214  
[www.airportwindsocks.com](http://www.airportwindsocks.com)

**COMMERCIAL ALUMINUM JETBOATS**  
**SMOKY MOUNTAIN JETBOATS**  
 12 passenger COI - PARTIALLY PROTECTED  
 25 passenger COI - LIMITED COASTWISE  
[smokymountainjetboats.com](http://smokymountainjetboats.com)  
 1828 488 0522 - 1888 900 9091




**NYS MARINE HIGHWAY TRANSPORTATION CO., LLC**  
[WWW.NYSMARINEHIGHWAY.COM](http://WWW.NYSMARINEHIGHWAY.COM)  
**SHIP BY CANAL**





FABRICATED PRODUCTS DREDGES, DEAD SHIPS & CONTRACTORS EQUIPMENT PROJECT CARGO

**WE CAN TOW YOUR EQUIPMENT BETWEEN THE EAST COAST & GREAT LAKES VIA THE NYS CANAL SYSTEM**  
**QUOTES ROB (518) 365-3305 [rob@nysmarinehighway.com](mailto:rob@nysmarinehighway.com)**



**Commercial-Duty Walker AIRSEPS®**

**The NEW Standard for Diesel Breathing Systems Used in Today's Workboats.**

**Fleet Supply Warehouse, Inc.**  
 205 Venture Blvd., Houma, LA 70360  
 Tel: 985.868.0430 Fax: 985.868.0436

*Your Louisiana Headquarters for Walker Air Filters and New CCE Replacement Elements.*



**WALKER AIRSEP**  
 Walker Engineering  
[www.walkerairsep.com](http://www.walkerairsep.com)

**Marine Grade • Commercial Duty LED Lighting Fixtures**  
 GREEN GENERATION LEADING EDGE TECHNOLOGY



**LED FLOODLIGHTS**  
 Low Maintenance and Low Power Consumption. Up to 90% less power when compared to Halogen Lights. Low Operating Temperature and Vibration and Shock Resistant Design. Marine Grade 316 Stainless Steel Hardware and Bracket. Water Resistant IP 67 Rating. UL/CE and SAA Compliant. 2 Year Limited Warranty. Available from 10Watt up to 400Watt. 100 to 130 Lumen per Watt Light Output. AC & DC Versions Available.

**NEW DHR LED Navigation Lights**  
 SAFETY FIRST IN ALL WEATHER CONDITIONS



40 SERIES 60 SERIES 80 SERIES  
 USCG Approved Certified to 72 COLREGS  
 The Only LED Navigation Lights Completely User Serviceable

**OCEANUS - LED MARINE UTILITY LIGHT**  
 Designed to replace fluorescent light fixtures. Low power consumption, minimal maintenance. 3900K natural white light color is used to achieve the best CRI. Dual Color version, white and red, for night time illumination. The light can be surface or flush mounted. Available in 85vac-265vac or 10-30vdc.



**E-LED LIGHTING Inc.**  
 PHONE: (561) 845-7460, FAX: (561) 214-4928  
[info@E-LEDLighting.com](mailto:info@E-LEDLighting.com), [www.E-LEDLighting.com](http://www.E-LEDLighting.com)