

BOATS & HARBORS®

"THE" MARINE MARKETPLACE

SECOND DECEMBER ISSUE 2016 • VOLUME 59 NO. 22

Covering The East Coast, Gulf Coast, West Coast & All Inland Waterways

PH: (931) 484-6100 • FAX: (931) 456-2337 • Email: boatsandharbors@citlink.net



REQUEST ONE OF
OUR NEW CATALOGS
SALES@ANCHORMARINEHOUSTON.COM



AUTHORIZED YOKOHAMA FENDER DISTRIBUTOR

- NEW, USED AND RENTAL OPTIONS AVAILABLE
- NEW HARNESS INSTALLATION OR HARNESS REPAIR WITH QUICK TURNAROUND
- FOAM AND PNEUMATIC FENDERS AVAILABLE

LARGEST INVENTORY IN THE USA

IN STOCK & READY TO SHIP
WORLDWIDE

24/7

NEW & USED

- Anchors
- Chains
- Fittings
- Towing
- Hardware
- Wire Rope
- Cordage
- Blocks
- Dock
- Fenders
- Buoys
- Spill Boom



(800) 233-8014 • ANCHORMARINEHOUSTON.COM



Contents of this publication either in whole or in part may not be reproduced without the express permission of the publisher.
Copyright © 2016 Donnelly Advertising & Publishing.



BOATS & HARBORS is Published 3 Times Each Month and Each Issue Goes by Direct Mail and Internet to Thousands of Individual Boat Owners, Builders and Operators, Tug, Pushboat and Barge Owners and Builders, Boat Yards, Commercial Fishermen, Packers and Processors, Divers and Diving Companies, Docks, Dredgers, Exporters, Ferryman, Freighters, Harbor Personnel, Longshoremen, Marinas, Steamship Companies, Marine Contractors, Off-Shore and Inland Oil Exploration Firms, Pile Drivers, Marine Salvage Firms, Ship Yards, Terminals, Towing Companies, Marine Warehouses, Government Agencies & other Related Businesses in the U. S. Possessions, Canada, Mexico & most other Foreign Countries. Boats and Harbors is Published in Crossville TN 38557.



Buying or Selling?

**BOATS AND HARBORS is
The Most Economical &
Fastest Way To Reach The
Commercial Marine
Market!**

**Talk About A
Search Engine!!!**

**Try Boats And Harbors
With Both Online and
Print Editions**



**Let The "Yellow Sheet" Optimize
Traffic To Your Website!
Advertise Today!**

**View Boats and Harbors Online at:
www.boats-and-harbors.com**

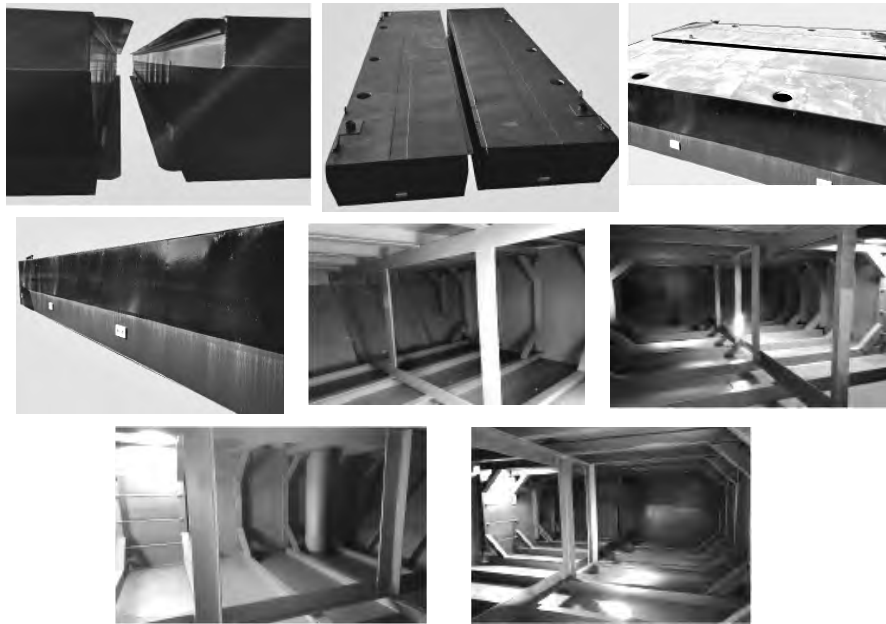
TRUCKABLE BARGES

45' x 11.5' x 5'

2' Frame Spacing, with 3" x 5" x 5/16" Angle
2 Interior Bulkheads, 3 Compartments, Each with 18" SS Hatch

Blasted/Painted Inside & Out, 20# Zincs
Pinnable, Stern to Stern or Side by Side (3" x 6" Angle)

Spud Wells, 10" SS, 1/4" Plating



Steiner Construction Company, Inc.

P.O. Box 609 • 8690 Hemley Street
Bayou La Batre, AL 36509
(251) 824-2320
steinermarine.com
steinermarine@yahoo.com



LIFETIME CUSTOM ALUMINUM BOATS



21' LANDING CRAFT - IN STOCK WORK BOAT 20', 24' - IN STOCK



DECK BARGE 24' HYDRAULIC CRANE 24' WORK BARGE - IN STOCK



LANDING CRAFT 30' - IN STOCK PILOTHOUSE 40'

**~ Stock Workboats Available ~
Workboats and Landing Craft in Stock**

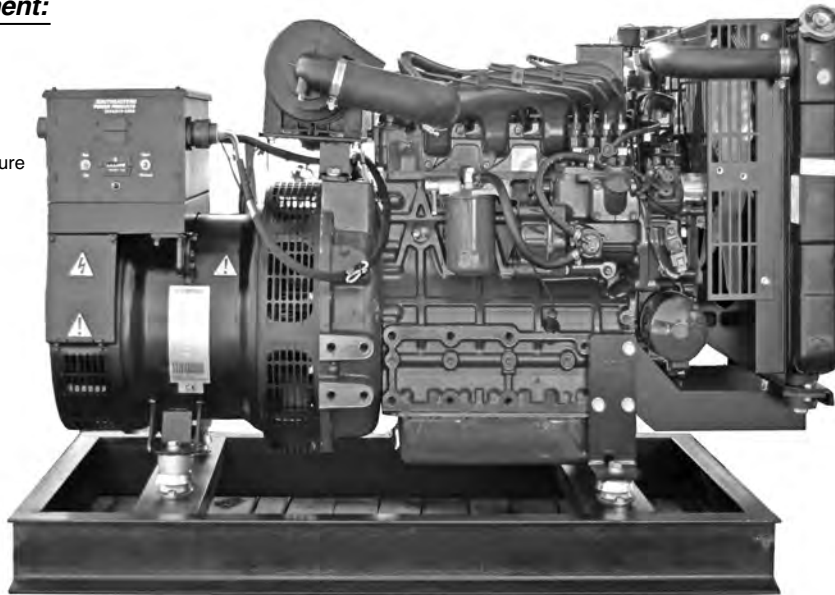
LIFETIME BOATS, INC.

14104 Hwy 84, Jonesville, LA 71343
Phone (318) 339-4007
bodie@lifetymeboats.com
www.lifetymeboats.com

Kubota

1800 RPM Standard Equipment:

- Kubota Diesel Engine
- 12 Volt Electric Starter
- 12 Volt Battery Charging Alternator
- Automatic Engine Shutdown for Low Oil Pressure / High Coolant Temperature
- Fuel Filter
- Built in Fuel Transfer Pump
- Dry Air Cleaner
- Heavy Duty Steel Frame with Isolation Mounts
- High Ambient Radiator Cooling
- Stamford / Newage Industrial Generator
- Brushless Exciter
- Unit Mounted Solid State Voltage Regulator
- Ship-loose Muffler with Raincap
- Toggle Switch Start
- Engine Hour Meter
- 3 Year Kubota Engine Warranty
- EPA Tier 4i Compliant



21 KW Diesel Generator

Optional Equipment:

- Sound / Weather Enclosures
- Auto Start / Stop
- ATS
- Fuel Tanks
- Block Heater
- Critical Silencers
- Gauge Panels
- RACOR Filters
- Circuit Breakers

KEEL COOLED MODELS

MODEL	PRICE	MODEL	PRICE
DRY EXHAUST MANIFOLD			
KK3-7.0KW	\$ 5,610	KK4-21.0KW	\$ 9,175
KK3-8.5KW	6,020	KK4-24.0KW	9,455
KK3-9.5KW	6,230	KK4-30.0KW	9,910
KK4-12.5KW	6,900	KK4-40.0KW	13,815
KK4-15.0KW	7,910	KK4-50.0KW	14,960
KK4-17.5KW	8,105	JD4-60.0KW	16,787

Southeastern Power Products is the **Authorized KUBOTA Industrial Engine America Distributor** for the State of Florida, Bahamas and the Caribbean.

Supplying Genuine KUBOTA Parts and factory Remanufactured components.

INDUSTRIAL GENERATOR SPECIALS

Model	KW Rating	Net Price
SEP 7.0I	7.0 KW	5,985
SEP 8.5I	8.5 KW	6,315
SEP 9.5I	9.5 KW	6,595
SEP 12.5I	12.5 KW	7,320
SEP 15.0I	15.0 KW	8,070
SEP 17.5I	17.5 KW	8,545
SEP 21.0I	21.0 KW	9,290
SEP 25.0I	25.0 KW	9,860
SEP 30.0I	30.0 KW	10,460
SEP 40.0I	40.0 KW	11,980
SEP 50.0I	50.0 KW	13,270

LOWBOY

GL SERIES

GL7000 - USA \$4,600
GL11000 - USA \$5,800



COMPONENTS AVAILABLE

SOUTHEASTERN POWER PRODUCTS

2880 Hammondville Road, Pompano Beach, FL 33069
Phone: (954) 979-5899 • Fax: (954) 979-4349
900 Industrial Park Rd #10, Deep River, CT
Phone: (860) 526-9773 • Fax: (860) 526-2090

come visit our website
www.southeasternpower.com

Capstan

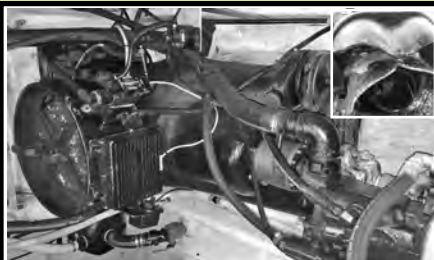
21" diameter, anchor / deck winch, 440 v., New never installed government surplus. Acquisition cost to military \$441,000.

For sale \$150,000 USD

Other winches available.

Contact: Fred (206) 465-7981

tridentllc@me.com www.tridentllc.net



Jet 450 18"

Marine White Water jet can push 36,000 lbs of water. Still in good condition. **\$20,000 OBO • (907) 435-7230**

M/V T-RAY



50' x 20'
Completely Rebuilt 2006
(2) S6B3 Mitsubishi's
(2) 30kw Isuzu Generators

\$550,000.00

M/V JAX



60' x 24'
(3) 6081 John Deere's
(2) 30kw Kubota's • Flanking Rudders
Completed November 2015

\$1.150 Million

Call Joey (985) 397-2192

**General Cargo Coaster
For Sale Direct
From Owner**



Our File: GS00681 185.2' x 31.2' x 17.7' x 10.40' load draft. Built 1990 Yoshida Zosen Kogyo; Japan. Foreign flag. GRT: 346. DWT: 681mt. Hold Capacity: 1,165m³ grain in one hold. 1 hatch. FO: 35T. FW: 15.7T. BW: 382T. Crane: 35T Kato deck. 1 x Niigata 6M26AGTE total 850BHP at 300RPM. FP prop. 2.52MT/day. Gen 1-80kW / Yanmar, 1-30kW / harbor. Quarters: 10 (4-1, 3-2). 45 TEU on three stack, tween deck allowable. Rolling hatch.

Inspection / Delivery: U.S. East Coast. Prompt

Marcon International, Inc.

Tel: 360-678-8880 e-mail: info@marcon.com Fax: 360-678-8890

www.marcon.com

J & B BOAT RENTAL LLC

Has Crew Boats, Work Boats, Tug Boats and Living Quarters for Hire.

J & B FABRICATION

J & B Fabrication Builds Work Boats and Crew Boats to Your Specifications

We also have Coast Guard Plans to choose from, tell us what you want and we can build it

Below are a few vessels built by J & B Fabrication.

You can contact us @ (985) 594-5831 or

Visit our website: www.jbboatrentals.com



VESSELS FOR SALE

150' Aluminum Welded Crew Boat



- 150' Aluminum Crew Boat with 5 Cummins K19, Very Clean, New COI
- 65' Aluminum Crew with Cummins Diesel Engines, Clean & Fast, New COI
- (4) 50 Aluminum Crew Boats with Cummins Diesel Engines, Clean & Fast, All New COI
- 68' 3 Level Steel Push Boat, with Cummins Diesel Engines, New COI
- (10) Aluminum Deck Boats from 20' - 47'

**Vibration, Noise & Alignment
Specialists**



AMESOLUTIONS.COM



Mechanical Engineering
for Propulsion Systems



866 377 0770 | +1 954 764 2678



Quality Custom Built Aluminum Workboats & Pleasure Craft
 Located In Harvey, Louisiana Just South Of New Orleans.



27' Harbor Patrol Vessel



75' Quick Response Fire Fighting Vessel



35' Collar Style Supply Vessel



38' In Shore Supply Vessel



30' Aluminum Supply Vessel



30' Collar Style Supply Vessel

Aluminum Never Looked So Good!

We Also Offer A Variety Of Services Including:

- Repairs
- Conversions
- Sandblasting & Painting
- Aluminum & Steel Fabrication
- Dockside Service Including A 65 Ton Crane
- Experience With State & Local Government

Let Us Build A Boat For You!

Contact Darren or Chad at (504) 347-7898

Visit us on the web at WWW.ALUMAMARINE.COM. For further info, contact us by email at chad@alumamarine.com or darren@alumamarine.com

BAIER



Hatch Company, Inc.

THE STRONGEST HATCH TO EVER HIT THE DECK!



ROUNDS



OVALS



MULTI-BOLT MANHOLES



SQUARES

Hatches Available in Cast Aluminum & Cast Steel

TO ORDER

800 - 455 - 3917

Seattle, WA • Costa Mesa, CA
www.baiermarine.com

www.YachtSalvage.com



41' Hatteras 1986
 (Brokerage)
 YS160211



39' Beneteau 2004
 (Private Liquidation)
 YS160250



30' Grady White 1997
 (Brokerage) • YS140068



46' Rybovich 1959
 (Private Liquidation)
 YS140190



42' Slocum 1983
 (Private Liquidation)
 YS160216



50' Viking 1997
 (Insurance Salvage)
 YS160240

Hundreds Of Boats For Sale

For More Information Please Call One Of Our Offices
 Warwick, RI (401) 732-6300 • Charleston, SC (843) 789-0357
 Mendon, MA (508) 478-0200 • St. George, SC (843) 563-9199

PORTABLE BARGES

FOR RENT
 FOR SALE



LOCATED: SEATTLE, WA

POSEIDON® FLEXIFLOAT® BARGES SPUDS SPUDWELLS

FAIRLEADS, PULLMASTER HYDRAULIC WINCHES, BUOYS



WINCHES: 2 & 3 DRUM DIESEL ANCHOR
 SPUD WINCHES AVAILABLE

HYDRAULIC, AIR, & HAND WINCHES AVAILABLE TOO



SEATTLE, WA
 BELLE CHASSE, LA

FOR RENT
 FOR SALE

RASMUSSEN EQUIPMENT COMPANY

Seattle, WA . Tel 206.762.3700 . Fax 206.762.5003 . info@rasmussenco.com
 Belle Chasse, LA . Tel 504.392.0442 . Fax 504.392.0107 . www.rasmussenco.com

MIDSHIP MARINE INC.

MIDSHIP MARINE

OUR QUALITY SAYS IT ALL!
WHEN IT COMES TO BUILDING ALUMINUM BOATS
WE HAVE NO LIMITATIONS

• Passenger Vessels • Crew Boats • Pilot Boats • Patrol Boats • Dive Boats • Water Taxis • Fishing Boats



210' x 32' HIGH SPEED CREWBOAT



65' SAILING CAT - 120 PASS



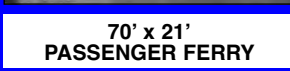
95' OIL SPILL FRV



42' CREWBOAT



97' EXCURSION VESSEL



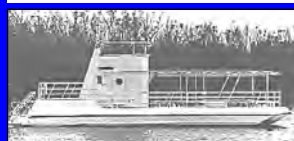
70' x 21' PASSENGER FERRY



90' CATAMARANS - 250 PASS



55' PASSENGER HEADBOAT - 49 PASS



55' SEMI SUB - 49 PASS



58' ALUMINUM VESSEL

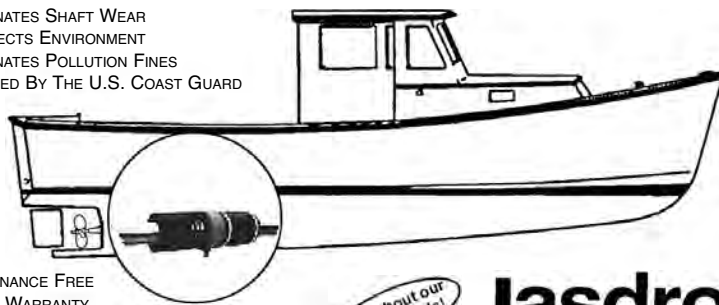
MIDSHIP MARINE ALSO SPECIALIZES IN CONVERSIONS OF CREW BOATS INTO: DIVE VESSELS, CHARTER YACHTS, PASSENGER FERRIES, ETC. W/LOW PRICING & HIGH QUALITY. LET US DESIGN & QUOTE YOUR NEXT VESSEL.

MIDSHIP MARINE will quote on building any vessel to meet your specific needs. All work is done at our yard in Harvey.

CONTACT MIKE or RANDY - PHONE (504) 341-4359 • FAX (504)-340-8997
Email: Midboats@aol.com • Website: www.MidshipMarine.net
MAILING ADDRESS: P.O. BOX 125, HARVEY, LOUISIANA 70059

- RATED "BEST" BY POWERBOAT REPORTS
- REPLACES STUFFING BOX
- DRIPLESS
- ELIMINATES SHAFT WEAR
- PROTECTS ENVIRONMENT
- ELIMINATES POLLUTION FINES
- UTILIZED BY THE U.S. COAST GUARD

The most advanced.
The most reliable.



- MAINTENANCE FREE
- 3 YEAR WARRANTY
- SINCE 1975
- METRIC AND CUSTOM SIZES AVAILABLE
- FROM 3/4" TO 8" SHAFT SIZES
- MADE IN USA
- 3 MODELS TO CHOOSE FROM
- COMPLETE LINE OF RUDDER SEALS
- PRICES STARTING AT \$95

Ask about our fall specials!

Lasdrop
SHAFT-SEAL

nautical llx 1-800-940-SEAL

3615 Dove St., Port Huron, Michigan 48060 USA

Phone: 810.388-9718 • Fax: 810.388-9753

Visit Us Online At: lasdrop.com

TO REDUCE, RECOVER
AND SAVE ON
ELECTRICITY COSTS,
JUST CALL LEAH.



Leah, the Hialeah Meter Maid



Remanufactured meters with everything you need to install on existing power box or pedestal* now only **\$37.99**

- Meter (Single Phase) with 2 Year Guarantee
- New Nipple
- New Meter Socket
- New Mounting Hub
- New Sealing Ring
- Security Seal

120/208V meters also available

*We have power boxes and pedestals should you need them as well.

HIALEAH METER
Meters you can believe in since 1954.

www.hialeahmeter.com • 800-654-0821 • 800-521-9925

MARINE EQUIPMENT FOR SALE



Steel Truckable Barge

Built October 2016 • *Brand New*
30' x 12' x 3' • (2) - 4" Spud Guides • Painted
Barge# 220 • Asking Price: \$29,000



120' x 24' x 10' • Aluminum Crew Boat
Main Engines: (4) Detroit 12V71 T1
Passengers: 50
Speed: 20 Knots
CB# 355 • Asking Price: \$575,000



180' x 38' x 14' • Offshore Supply Vessel
Great Condition
Main Engines: CAT 398 • Bow Thruster
OSV# 222 • Asking Price: \$550,000



60' x 21' x 5.4' • Steel Hull Pushboat
Max Draft: 4.5' • Horsepower: 600
Main Engines: (2) - Detroit 8V71
PB# 209 • Asking Price: \$100,000



110' x 24' • Utility Vessel
Built: 1980 • Berths: 17
Main Engines: (2) Detroit 16V-92
Deck Spaces: 55' x 22.5'
UTB# 268 • Asking Price: \$150,000

LEE FELTERMAN AND ASSOCIATES, LLC

Ph: (985) 397-2848 • Website: www.leefelتمان.com

ST. JOHNS SHIP BUILDING



WE ARE A FULL SERVICE
BUILDING AND REPAIR COMPANY
Storage / Dockage Rates
Available

Why Choose Us:

- Quality Workmanship • Over 30 Years Experience • U.S. Ship Builder
- Certified ABS, USCG • Accessible to East Coast • Close to Jacksonville International Airport

190' LOA LANDING CRAFT



Rated 1500 HP, 6400 Sq. Ft. Open Deck, Accom. 9 Crew, Shallow Draft. Under Construction, Requires Outfitting. **\$1.95 Million USD**

TRUCKABLE TUG SALE / LEASE



25' 10" x 13' 6", 2 Cummins 6.7L 305 HP Ea., 2 Twin Disc Gears 3:1 Ratio, 8' Push Knee, 400 Gal. Fuel Capacity, up to 17' Height of Eye, Electronics, Deck Winch Cables, 34" x 19" Props. **SALE / LEASE**

\$298,000 USD

DECK BARGE SALE / LEASE



130' x 60' x 8', 7,800 (sqft) Deck, 2,400 psf Uniform Dry Load.

\$1.15 Million USD



Drydocking

We service local and international customers!

For info. on sales, new builds or repairs please call **386-972-3413**
560 Stokes Landing Road, Palatka FL 32177

www.stjohnsshipbuilding.com



OUR SERVICE IS YOUR POWERFUL SOLUTION

- In-house & on-site repair
- Equipment assembly & disassembly
- Preventative maintenance
- Custom cab redesign
- Environmental & control upgrades
- Fabrication shop
- REBEX® - Rebuilt Exchange Program
- Wire rope installation
- Blast & paint shop
- Boom repair & installation



MAF-CAB control upgrade



American 550 repair



Manitowoc 390 control upgrade



Clyde AD 175 complete disassemble and rebuild



The Powerful Solutions People!



Toll-Free 1.866.883.7221 | World-Wide 1.513.202.8901
bhsales@fmmafco.com | www.fmmafco.com

TheGPSStore.com

Automotive ■ Outdoor ■ Marine Electronics

Toll Free 1-800-477-2611 • Check Out Our Weekly Web Specials

SPECIAL PURCHASE

Garmin GPSMAP 547 Chartplotter

#GA01093 **\$399⁹⁵** **Save Over \$300**

- 5.0" Color Display •
- G2 Vision HD Compatible •
- 5,000 Waypoints/100 Routes •
- NMEA 2000 and XM WX Weather Compatible •
- Built-in BlueChart G2 US Coastal and LakeVu HD Mapping •



Furuno 1835 4 kW Dome

Furuno 4 kW 1835 Radar
#FU1835 **\$3599⁰⁰**

Perfect Commercial Fishing Radar! Featuring a 10.4" Color LCD, 36 nm Range with 4 kW power and a 4" vertical beam width. Ships with 24" radar dome.



Furuno GP39 GPS/WAAS Navigator

NEW!

Furuno GP39 GPS
#FUGP39 **\$379⁹⁵**

Furuno's GP39 GPS features a 12 Channel receiver with integrated SBAS (WASS/EGNOS/MSAS) technology and a 4.2" LCD Color Display. Mark up to 3,000 track points, 10,000 waypoints and 100 routes (each with up to 30 waypoints). The GP39 can also display Loran TD Position Format.



McMurdo FastFind 220 PLB

McMurdo FastFind 220 PLB
#MC91001220A **\$209⁹⁵**

The FastFind 220 is a personal emergency locator beacon. Once registered, The FastFind 220 sends out your unique ID along with your current GPS co-ordinates via the COSPAS-SARSAT network alerting Search and Rescue. A bright, flashing led SOS light provides a visible position. A compact, waterproof housing to depths of 10 meters, the 220 is also supplied with a flotation pouch.



FLIR Ocean Scout TK Thermal Camera

FLIR Ocean Scout TK
#FL43200122200S **\$599⁹⁵** MAP*

The FLIR Ocean Scout TK features a thermal imaging core in a compact and affordable unit. Rugged and waterproof the TK will show a man in the water at 130 yards when no light is available.



Icom IC-M424G VHF

Icom M424G Fixed Mount VHF Radio
Black #IC424GB **\$269⁹⁵**
White #IC424GW **\$269⁹⁵**

Built-In GPS Receiver Class D DSC, 10 Watt PA Function, Active Noise Cancelling and Aqua-Quake draining.



Standard Horizon HX870 VHF with GPS

Standard Horizon HX870
#STHX870 **\$209⁹⁵**

PLUS \$40 MAIL-IN REBATE until 12/31

Floating Handheld VHF Radio with 6 Watts of Transmit power, a built in 66 Channel WAAS GPS receiver with DSC Calling and Water Activated SOS Light.



STANDARD HORIZON



C-Map and Navionics Electronic Charts available at Discount Prices. Call or visit TheGPSStore.com today.



Your Best Source for Discount Marine Electronics!

Call for our Latest Catalog!
Or check out TheGPSStore.com to see our complete selection of marine electronics from all the major manufacturers.



TheGPSStore.com

Automotive ■ Outdoor ■ Marine Electronics

The GPS Store, Inc.
6899 Beach Drive
Ocean Isle Beach, NC 28469

Same Day Shipping!

Order by 4 PM Eastern

Friendly Customer Service

1-800-477-2611



WATER COOLED EXHAUST MANIFOLDS

For 3-71, 4-71, & 6-71 Detroit Diesel



DD-1-6710

3-71 & 6V71.....	\$225.00
4-71 & 8V71.....	\$250.00
6-71 & 12V71.....	\$325.00
4" NPT EXHAUST END PLATE.....	\$40.00
Water Cover Plate (Specify Pipe Size).....	\$9.00



BARR MARINE BY EDM
 100 Douglas Way, P.O. Box 190
 Natural Bridge Station, VA 24579
 Toll Free (866) 255-9265 Fax (540) 291-4185



USCG Certified • 370 PASS • 3 Miles Off Shore • Partially Protected Waters

Huge luxurious salon and bar; 5 king staterooms with full heads, showers; KVH Satellite TV; State of the art galley; 3 Southbend conv. ovens, Jackson dishwasher, walk-in cooler, full laundry; Walk-in engine room and maint. shop; Can seat 370 for dinner. Enclosed party deck with full bar, 800 lb. ice maker; Deluxe pilot house w/full electronics, satellite navigations, auto pilot, radar, wing stations; Partially covered Sky lounge has full bar; State-of-the-art security system; 2-375 Hp John Deere State-of-the-art electronic engines and ZF trans.; 2-99 kw electronic John Deere gens; 155 Hp bow thruster, bulbous bow, bilge keels; All keel cooled, 11 zone heat and air; 5 floor hyd. elevator; Hyd. spuds; Sewage treatment; 130' x 36' x 6' draft; 11 mph; under 100 gross ton; 17,000 sq. ft. deck; Amenities that *Feadship, Christensen, Delta & Trinity* don't include at a fraction of their cost. **Low maintenance!** Call Captain Winston Knauss • 305-947-6868

St. Petersburg, FL • \$3,200,000 • That's just \$188 a S.F. deck area!
www.sirwinstonluxuryyacht.com www.winstonknaussmarine.com



★★★ **FOR SALE** ★★★

LBT PRIME 24" Pile Cutter

96 HP Isuzu Power Pack
 310 Hours • Ready To Work
\$65,000.00

Contact: Ron Canady
 (228) 233-9342 • roninpcola@yahoo.com

Two Outstanding Landing Crafts For Sale



76 x 22.5 Landing Craft. Over 500k spent in refurbished and extensively modified in 2010, including new Tier 2 John Deere 6125 engines and Twin Disc gears, 20kw and 40kw gen sets, 12T RO Stinger crane w/ 60' boom, widened 22 x 56 cargo area, galley/accommodations, full electronics, stern anchor winch, and lots more. Legal to haul freight for hire.
 Reduced to \$650,000



76 x 22.5 Aluminum Coast Guard certified Landing Craft. Refurbished and extensively modified in 2003 including Twin Detroit Series 60 engines. (2) 30kw gen sets, 10T crane w/ 60' boom, galley/accommodations, full electronics, stern anchor winch, and lots more.
 Reduced to \$670,000

619-533-7932 • Located West Coast • Delivery Available
 "Special delivery price on freighter to Florida or Bahamas - \$75k, loaded late Sept, delivery mid Oct. (This is about 1/2 the normal rate)"
grant@pacifictugboats.com

Amco Veba Marine Cranes

Available in different levels of marinizations - capacity from 6,700-535,000 ft. lbs.



In stock 806N FM 4S

6 ton | 47,700 ft. lbs. | 39'4" reach
\$17,649

- 4 hydraulic extensions to 34'1"
- 1 manual extension to 39'4"
- Extra hydraulic function
- Hosing with bulkhead fitting for easy lengthening and valve placement
- Compact marine base for mounting

Power units and accessories available



800-739-4430
sales@fischercrane.com
www.fischercrane.com



U.S. General Services Administration

The U.S. General Services Administration (GSA) will be selling two **50 Foot Work Boats** located in Sasebo, Japan via GSA Auctions®, GSA's Government Site for Auctions.

www.gsaauctions.gov



50 Foot Work Boats

Navy Hull Registry Number C47954 and C48446
 Steel Work Boat with Modified Bow for pushing
 Fendering installed all around, Cargo Well
 Decked over for Line Handling, Canopy Frame

Builder: Unknown
 Year: 1944

Overall Length: Approx. 50 Feet
 Max Beam: Approx 14 Feet

Property Location:

Commander, Fleet Activities, Sasebo, Japan
 Port Operations Department, Bldg 100
 Muban-Chi
 Sasebo, Japan 7857-0056

Inspection:

Inspection and removal by appointment only.
 Appointments will be
 Between the hours of
 8:00 A.M. AND 4:00 P.M. ET.



Sale Number

31QSCI17034001 and 31QSCI17034002

This sale will open on
November 22, 2016 at 5:00 PM CT
 and bidding will close on
December 22, 2016, at 5:00 PM CT.

Please call BMC John Offiong at 08017506485
 DSN: 315-252-3397 or Mr. Yasuhiro Totoki at
 09010880017 DSN 315-253-3630
 to make an appointment to inspect the boat.

For additional information on this vessel,

Please consult the GSA website www.gsaauctions.gov

The listing will be available for review and bid between
 Tuesday, November 5 through Thursday, December 22, 2016.

Opdyke Inc.
 Sales@Opdykes.com
 DESDEMEXICO: 001215-721-4446
 3123 BETHEM PIKE, HOFFIELD, N.C. 28640
866-204-2545
www.Trucks123.com
100+ specialized trucks in stock!
20 TANDEM KNUCKLEBOOM TRUCKS IN STOCK!! \$34K-100K



UNMOUNTED KNUCKLEBOOMS
 20+ USED \$3,900 & up
MIAB • PALFINGER • EFFER • FASSI • ETC.



1998 WESTERN STAR 4964F; CAT 3406 6 CYL; FULLER 18 SP; A/C; POWER WINS; 65,120 G.W.W. NATIONAL CRANE MODEL 990; 23 TON; 148' HOOK HT; 20'6" STEEL FLATBED.
10+ FUEL TRUCKS IN STOCK!
BROKERS WANTED
 we pay competitive commissions on sales!

NEXT CLOSING DATES
 THIRD DECEMBER ISSUE
 (To be mailed December 19th)
FOR DISPLAY
 December 14th (9:00 A.M. C.S.T)
FOR CLASSIFIED
 December 16th (1:00 P.M. C.S.T)

NEUVILLE BOAT WORKS, INC.
BUILDERS OF ALUMINUM BOATS
 IN BUSINESS SINCE 1969



180' Jet Powered USCG T, ABS Classed A-1 HSC AMS DPS-2



170' Crew Supply USCG T/L ABS Classed A-1 HSC AMS DPS-1

Slots Currently Available
 neuvilleboatworks@gmail.com



167' WATERJET POWERED USCG T/L ABS CLASS A-1 HSC



47' CREWBOAT (30 PASS.)

GDW Inc.
 Custom Dredge Works

FOR IMMEDIATE SALE OR LEASE
 New 12 x 14 x 36 – 540hp Booster Skid
 For more information, contact Jessica:
 (785) 380-4140 • jess@customdredgeworks.com

KOHLER
Commercial Marine Generators
 Open - Frame and Keel Cooled Units

MODEL	COST
9EKOZD	\$8,250.00
11EKOZD	\$8,785.00
13EKOZD	\$9,990.00
15EKOZD	\$11,100.00
20EKOD	\$12,800.00
23EKOD	\$13,725.00

24 Hour Emergency Service!!
 Monmouth Marine Engines, Inc.
 536 Union Lane • Brielle, NJ 08730
 Phone: (732) 988-0245 • Fax: (732) 988-0246

1985 MANITOWOC 4100-W SERIES II CONTAINER HANDLING CRANE

Serial #41809
 Year Model 1985
 80' Boom With
 33' Stationary Tower
 Elevated Cab
 Cummins
 NTA-855-C400
 Diesel, Container
 Lifting Attachment Inc.
 Exc. Undercarriage
 Work Ready.
 Can Be Barge Loaded
 Located In The West
 Palm Beach, FL Area
SPECIAL PRICE:
AS IS
West Palm Bch, FL
\$250,000
 "Subject To Prior Sale"

Harold Howell Const. Equip. Co.
 Ph: (561) 744-5091 • Fax (561) 743-0915
 www.haroldhowell.com • hh@haroldhowell.com



FOR RENT

FLEXIFLOAT JACK-UP BARGE
 - Truckable, Maximum 100 Ton Crane
TUGS
HIGH SPEED CREW BOAT
CRANES
OTHER MISC. EQUIPMENT

Andrie Inc.

Contact Stan Andrie At: (231) 332-9227 Or sandrie@andrie.com
www.andrietg.com

COOPER CAPITAL
 SPECIALTY SALVAGE, LLC
860-395-4745
info@cooperss.com

The complete salvage management company
 Building relationships, not transactions

www.cooperss.com
 Register to bid and receive information via email

MEEVER USA

MATERIALS FOR SALE OR RENT!

Official US Distributor

PILING PRODUCTS
 SHEET PILES • PIPES • H-BEAMS

T. +1 866 313 8770
 E. info@meever.us

New York, NY (main office USA)
 New Orleans, LA (sales office)
 Oakland, CA (sales office)

WWW.MEEVER.US

TOP QUALITY CUSTOMIZED BOATS TO MEET YOUR NEEDS
Passenger Boats • Pilot Boats • Party Boats
Patrol Boats • FSV's
PH: (337) 229-6507 CONTACT: KERRY OR ERROL
www.neuvilleboatworks.com • New Iberia, LA

MASTER MECHANIC

A DIVISION OF
Certified Power Inc.

For ALL Your Hydraulic Systems & Components Needs!

Thousands of Items in Stock!

To Order Call: 800-877-8350

Master Mechanic
970 Campus Drive
Mundelein, IL 60060
Ph: (847) 573-3812
Fx: (847) 573-3836
www.certifiedpower.com

Prices F.O.B. Factory -
Subject to Change
Without Notice

We Specialize in Custom built Gas, Diesel and Electric, Hydraulic Power Packs with Reservoirs, Filters, etc. We'll help you design it, then Quote you a price! Call 1-800-877-8350.

KOHLER HYDRAULIC POWER PACK



OHV Kohler Command V-Service Engine with electric start, muffler, choke and throttle controls. Unit includes roll cage, 20 gal. reservoir, pump, filter, suction strainer, pressure gauge, relief valve and 5.5 gal. fuel tank. (Battery not included)

Item	HP	Weight	Price
BHK25H-20	25 hp.	280 lbs	\$3450
BHK27H-20	27 hp.	280 lbs	\$3650
BHK30H-20	30 hp.	280 lbs	\$3995

20 HP HONDA HYDRAULIC POWER PACK

Overhead valve engine has twin cylinders. Available with a Rexroth single pump. Complete with casting and coupling. 12 volt electric start and 3 amp alternator.



Up to 2000 PSI
20 HP HONDA with Single Stage Pump

Item BH-H20H Wt. 140 Lbs. **\$1895.00**
5.5 to 24 HP Hydraulic Units Also Available



HYDRAULIC CONTROL VALVE

With detent for hydraulic motors or winches.

- Holds In or Out
- Capacity - Up to 20 GPM
- Maximum pressure 3000PSI
- Open Center

Item BH825 Wt. 10 Lbs. ... **\$82.50**

HYDRAULIC CONTROL VALVE - 1, 2 & 3 Spools



25 GPM - 3000 PSI for Parallel Application. 1/2" Cylinder Ports, 3/4" Inlet and Outlet Ports.

All models come with hardened and chrome plated spool, built-in adjustable relief valves. Tripod mounting feet, built-in load check, handles may be mounted in up or down position. "Power Beyond Outlet" for intake to an adjustable bank of valves if desired (add \$15.00)

Item	No. Spools	Wt.	Price
BH865-SP-1	One Spool	16 Lbs.	\$109.95
BH865-SP-2	Two Spool	24 Lbs.	\$179.95
BH865-SP-3	Three Spool	33 Lbs.	\$249.95

WHITE HYDRAULIC MOTOR 2 or 4 Bolt Flange

High torque, great for augers, winches, conveyors, capstan drives, log loaders, sawmill drives - many uses of the motors high torque, slow speed. Fully reversible, develops 2,000 in. Lbs. at 1500 PSI and 200 RPM's at 10 GPM, max flow is 16 GPM. Easy mounting with 1" keyed shaft. Many other motors of all sizes available.

Item BH225 Wt. 16 Lbs. **\$225.00**

VANE PUMPS

V10, V20, V210, V230 & Others Available.

These are new pumps with No Core required. All ring sizes and shafts available. Standard porting. Max. pressure 2500 psi.



Item	Weight	Price
BH-V10	15 lbs	\$163.50
BH-V20	16-18 lbs	\$185.50
BH-V210	16-18 lbs	\$259.50
BH-V230	16-18 lbs	\$269.50

HYDRAULIC GEAR PUMPS

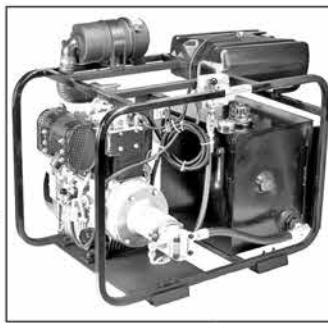
3 GPM to 12 GPM at 1800 RPM, 3/4" Shaft High efficiency, exceptionally compact design. Ideal for applications where space is at a premium and weight a critical factor. SAE "O" ring ports, keyed shaft and 2 bolt flange.



Specify Rotation CW or CCW
ITEM BH AP-PUMP Wt. 8 Lbs. ... **\$119.50**

DIESEL HYDRAULIC POWER PACK

Air cooled, 4 cycle diesel engine, 12 VDC electric start and charging system. Includes oil filter, muffler, oil bath air cleaner, manual throttle control and stop levers, hydraulic pump mount and 5.5 gal. fuel tank.



Hydraulic Specs: 12 GPM pump at 2000 PSI or 15 GPM pump at 1500 PSI comes with roll cage, reservoir with filter, control valves and/or flow controls.

ELECTRIC CLUTCH HYDRAULIC PUMPS

Drive off truck or equipment engines. Mounted in line with engine belt. Takes two type A 1/2" belts. Clockwise rotation. Ports 1" section. 3/4" outlet. Foot mount with two 1/2" taped holes. Comes complete with clutch on/off switch. "O" ring ports.



Item	Max Pressure	GPM @ 1200	GPM @ 2000	GPM @ 3000
BH118	3000	9.6	16	24.1
BH119x	3000	12.8	21.5	32.2

Item BH118 or BH119x Wt. 35 Lbs. **\$399.00**

JUST ADDED - BI-ROTATIONAL LARGER CLUTCH PUMP 16 GPM at 1200 RPM, 26 GPM at 2000 RPM.

Item BH119xx Wt. 38 Lbs. **\$399.00**

STAINLESS STEEL BALL VALVES Two Piece Full Port Ball Valve

- 316 Stainless Steel • 1000 PSI
- Yellow locking handle now standard



Item	Size	Price
BH 949-161	1/4"	\$14.50
BH 949-162	3/8"	\$15.50
BH 949-163	1/2"	\$16.25
BH 949-164	3/4"	\$16.95
BH 949-165	1"	\$21.00
BH 949-166	1 1/4"	\$29.50
BH 949-167	1 1/2"	\$48.50
BH 949-168	2"	\$71.95

Larger sizes available on special order basis

HYDRAULIC MASTER DESIGNED 8000 LB. WINCH

Cable capacity is 750' of 1/4", 330' of 3/8" or 250' of 1/2". Overall dimensions of the winch are 22" long by 16" wide (including the hydraulic motor) and 13 1/2" high. The drum is 10" long with a 4" center diameter. A variety of hydraulic motors can be used with speeds up to 30' per minute possible with faster units. 10-15 gpm systems with a minimum of 1,500 psi provide plenty of power. White hydraulic motor operates at 400 RPM at 15 GPM



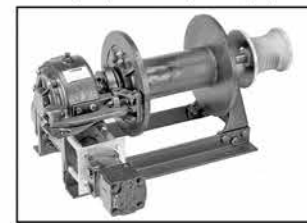
ITEM BH1435 Wt. 185 Lbs. **\$979.00**

Remember: Winches are not to be used to lift people or things over people.

or with cathead...

HYDRAULIC MASTER DESIGNED WINCH

8000Lbs. Pulling Capacity, with cathead. Specs are same as hydraulic winch, above with extended shaft and 4" cathead.



Item BH1435HC Wt. 200 Lbs. **\$1295.00**

100 AMP ALTERNATOR

Remanufactured" 100 amp negative ground alternator with single wire hook-up feature, new diodes, bearings, bushes, regulator and special custom wound 100 ampstator. Complete with fan and single belt pulley.



Add \$35.00 for spark arrester.
Item BH805 Wt. 16 Lbs. **\$157.50**

145 AMP ALTERNATOR

Remanufactured" 145 amp, 12 volt negative ground alternator with single wire hook-up feature. Unit replaces a 27 SI Type 200 Delco-Remy. Complete with fan and 2 belt pulley.

Item BH823 Wt. 20 Lbs. **\$219.95**

24 VOLT 65 AMP ALTERNATOR

Same heavy duty alternator as the 12 volt unit (shown at left), but puts out 65 amps at 24 volts.

Item BH824 Wt. 20 Lbs. **\$219.95**

Monthly Special

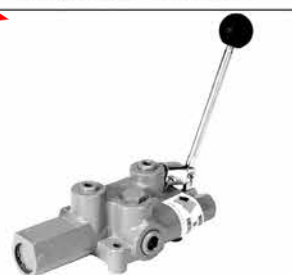


Item	Description	Pressure	Weight	Price
BH 218300	Tie Rod Cylinder, 2" Bore, 8" Stroke	2500 psi	22 LBS	\$62.50
BH 218322	Tie Rod Cylinder, 2 1/2" Bore, 16" Stroke	2500 psi	29 LBS	\$79.50
BH 218302	Tie Rod Cylinder, 3" Bore, 8" Stroke	2500 psi	29 LBS	\$69.95
BH 218340	Tie Rod Cylinder, 3" Bore, 16" Stroke	2500 psi	32 LBS	\$89.95
BH 218305	Tie Rod Cylinder, 4" Bore, 24" Stroke	2500 psi	61 LBS	\$164.50

Special SALE!

Special SALE!

HYDRAULIC CONTROL VALVE



4 way open center valve with built-in relief for double acting or single acting cylinders. Standard 3/4" and 1/2" ports.

Item BH822 Wt. 10 Lbs. **\$79.50**

WHITE HYDRAULIC MOTOR 2 or 4 Bolt Flange

High torque, great for augers, winches, conveyors, capstan drives, log loaders, sawmill drives - many uses of the motors high torque, slow speed. Fully reversible, develops 2,000 in. Lbs. at 1500 PSI and 200 RPM's at 10 GPM, max flow is 16 GPM. Easy mounting with 1" keyed shaft. Many other motors of all sizes available.

Item BH225 Wt. 16 Lbs. **\$225.00**

VANE PUMPS

V10, V20, V210, V230 & Others Available.

These are new pumps with No Core required. All ring sizes and shafts available. Standard porting. Max. pressure 2500 psi.



Item	Weight	Price
BH-V10	15 lbs	\$163.50
BH-V20	16-18 lbs	\$185.50
BH-V210	16-18 lbs	\$259.50
BH-V230	16-18 lbs	\$269.50

HYDRAULIC GEAR PUMPS

3 GPM to 12 GPM at 1800 RPM, 3/4" Shaft High efficiency, exceptionally compact design. Ideal for applications where space is at a premium and weight a critical factor. SAE "O" ring ports, keyed shaft and 2 bolt flange.



Specify Rotation CW or CCW
ITEM BH AP-PUMP Wt. 8 Lbs. ... **\$119.50**

HYDRAULIC HAULERS

10", 12", 14", 17"

The workhorses of the commercial inshore and midshore fishery. The ideal hauler for every application, whether single or multi-trap sets, or trawl line fishing.



- Heavy duty anodized cast aluminum backing plates
- Heavy painted steel or stainless steel disc
- Top-performing, reliable Char Lynn or White motors
- Solid bronze or stainless steel hubs
- Heavy cast steel or bronze rope deflectors
- Line speeds from 275 - 350 ft./min
- Solid aluminum fairhead rollers with bronze bushings and stainless steel shafts (sold separately)
- Line pulls from 310-1750 Lbs.

PRICES FROM **\$445.00**

TB & TC VANE PUMPS

Designed specifically for heavy duty industrial, agricultural and contractor applications. "No load" starting. Vanes are retracted until centrifugal force automatically extends them. Until they become extended, no load is exerted on the engine. Ball bearings give maximum shaft support with minimum friction. Pump can be belt and pulley driven.



Item	Port	Shaft	Weight	Price
TB-12-100-75-K	1" NPT	3/4" NPT	3/4" dia. Keyed CW/CCW	2-bolt 11 Lbs. \$379.00
TC-24-125-100-B	2 1/4" NPT	1" NPT	1" dia. Keyed CW/CCW	6-bolt 17 Lbs. \$459.00
K-TC-FM		TC Ft. Mt.		6-bolt 1.5 Lbs. \$ 39.50

ROTARY SPOOL VALVE -

With SS Spool... and built-in flow control

18 GPM a 3000 PSI rating. This valve has a built-in adjustable relief. For use with hydraulic motors.



Item BH755 Wt. 6.5 Lbs. **\$209.50**

GLYCERINE FILLED HYDRAULIC GAUGES - Stainless Steel Case

Liquid-filled with resistance to vibration and extra long life. Easy-to-read 2 1/2" white face with black pointer. Dependable brass movement. 1/4" bottom stem. 100 to 5000 PSI RANGE



Item	Wt.	Price
BH687-1000	1 Lbs.	\$14.95
BH687-3000	1 Lbs.	\$14.95
BH687-5000	1 Lbs.	\$14.95

PLANETARY WINCHES

Specifications

Line Pull: 10,000 lbs.
Line Speed: 39.4 fpm
Recommended Cable: 130' 3/8"
Operating Pressure: 2,030 psi
Max. Oil Flow: 15.9 GPM
Motor: 5.9 cu. in.

Item	Weight	Price
BH PSVH-10000	112 lbs.	\$1195

HYDRAULIC ANCHOR HOIST - 900 Lbs Pull at 1500 PSI

300 RPM at 12 GPM
100 RPM at 6 GPM
70 RPM at 3 GPM



ITEM BH1008 Wt. 40 Lbs. **\$695.00**

GRESEN ROTARY SPOOL VALVE

4-Way Valve Model SPW4

20 GPM with a 2000 PSI rating. This valve has a built-in adjustable relief. For use with hydraulic motors.

Item BH449 Wt. 24 Lbs. **\$445.00**

GRESEN 25P ROTARY SPOOL VALVE REPLACEMENT

With SS Spool & Handle

Up to 40 GPM and is used on power rollers, trap haulers, and many other marine and industrial uses. It is a four-way valve to power a hydraulic motor in forward and reverse. It has a rotary spool, metered and friction detented. Inlet and outlet ports are 1" O-Ring. Relief valve is set at 1500 PSI, and can be adjusted to 2500 PSI.



Item BH1072 Wt. 25 Lbs. **\$349.00**

ADJUSTABLE FLOW CONTROL VALVE

Controls the speed of hydraulic motors. Flow with 1/2" ports for 0-16 GPM. The 3/4" ports gets 0-30 GPM. The type of valve will start and stop a hydraulic motor and cylinder and vary the speed over a wide range. Once the speed is set it will remain constant regardless of load variation.



Item	Port Size	Ship Wt.	Price
BH2040	1/2"	8 Lbs.	\$69.50
BH2041	3/4"	8 Lbs.	\$69.50

Also available with built-in relief valve.



Now Building Poseidon P2-7' to ABS Approved Design



- P2-7' Stock Sizes**
- 40' x 10' x 7' Sections
 - 20' x 10' x 7' Sections
 - 20' x 10' x 7' Ramp Sections
 - 10' x 10' x 7' Rake Sections
 - Also available in 3', 4', 5', & 10' deep barges

- P2-7' Accessories**
- 24" Round Spuds including 20', 30', 40', 50' & 60' lengths.
 - Spud Pockets with Lead Block
 - Pocket Mounted winches
 - Cleats, ladders, double drum spud winches, male to male adapters, wood mats and railing.

Call us for a quote today!

3101 New Haven Ave
Fort Wayne, IN 46803
PH: 260-422-8767 or 866-992-2743
info@poseidonbarge.com
www.poseidonbarge.com

Distribution Locations:
Fort Wayne, IN
Belle Chasse, LA
Wilton, NY
Cocoa, FL
Plain, WI

Dealer Locations:
Seattle, WA
Anderson, CA
Irvine, CA

*ABS is the American Bureau of Shipbuilders

ISLAND WIDE MARINE INSURANCE

Superior Service Since 1977

CUSTOMIZED POLICIES

Designed Specifically For:

- Passenger Vessels**
- Sightseeing - Dinner Cruise**
- Headboats - 6 Packs - Ferry**
- Dolphin - Whale Watch**

FEATURING:

- ★ **Basic & Enhanced Policies**
- ★ **Competitive Pricing**
- ★ **Easy Payment Terms**
- ★ **Discounts For Seasonal Operations**



Marine Insurance is Our ONLY Business

1-800-635-6097



Hydraulic Thruster Manufacturer



Self-propel your barges & sectional Floats

Featuring **VOLVO PENTA** Industrial Engines



1-386-734-0020

www.hydraulicmarinesystems.com

"MARINE INDUSTRY SALES AND CHARTERS"

DAMCO MARINE MANAGEMENT, INC.

MORGAN CITY • NEW ORLEANS

PHONE (985) 384-2614 • FAX (985) 384-3741

BRITT CELL: (985) 714-0974 • DON CELL: (985) 397-1941



BOATS

Crew Boats • Luger Boats
Tug Boats • Push Boats
Supply Boats
Utility Boats • Lift Boats

BARGES

Deck Barges • Hopper Barges
Living Quarters Barges
Spud Barges • Tank Barges
Crane Barges

CRANES

American Cranes
Lima Cranes • Terex Cranes
Manitowoc Cranes
Linkbelt Cranes

NEW CONST.

DRYDOCKS

MISC. EQUIP.

WE ARE LOOKING FOR NEW LISTINGS IF ANYONE IS LOOKING TO SELL. PLEASE CONTACT US ON INFO ABOUT HOW TO LIST WITH US.



OUR INVENTORY IS GROWING DAILY, PRICES ARE STARTING TO DROP, AND IT'S A BUYERS' MARKET.

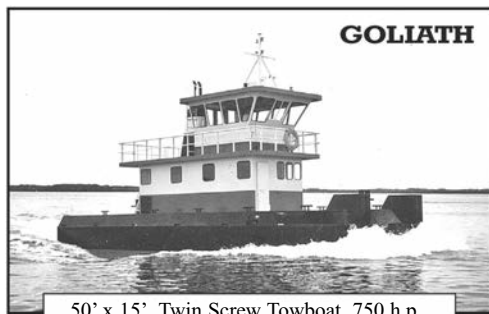


DAMCO MARINE MANAGEMENT, INC., with over 30 years in the marine brokerage & consulting business, offers quality marine equip., including new & used Boats, Barges, Cranes, & Dry Docks, & many other miscellaneous equip. available under U.S. or foreign flags. We have financing options available, we will arrange for NAMS Surveys and Valuations, we can help you ship, transport domestically or internationally, help with reflaging, redocumenting, transferring ownership, we also have charter and bareboat options. We will facilitate the purchase/sale transaction from start to finish.

••• IF IT FLOATS WE CAN HELP YOU BUY OR SELL IT •••

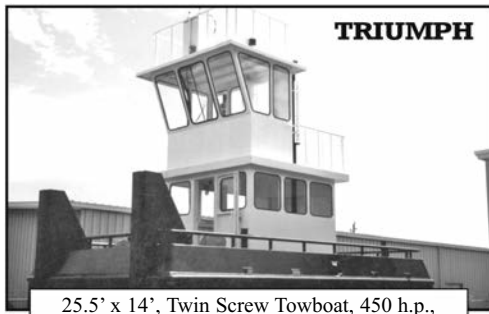
• Call For Details And Additional Pictures •

E-mail: britt@damcomarine.com • don@damcomarine.com • www.DAMCOMARINE.com



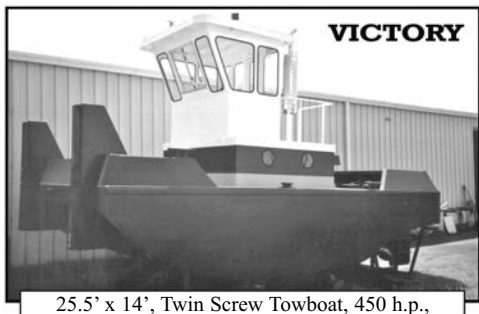
GOLIATH

50' x 15', Twin Screw Towboat, 750 h.p., 5:1 Gears, 46" Props, 20 K.W. Gen.



TRIUMPH

25.5' x 14', Twin Screw Towboat, 450 h.p., with Deckhouse, 3.5' Draft.



VICTORY

25.5' x 14', Twin Screw Towboat, 450 h.p., 3.5' Draft.

AMERICA'S PREMIER TRUCKABLE BOAT BUILDER

IS OFFERING SUPERIOR BOATS AT PRICES LOWER THAN YOU'VE SEEN IN YEARS



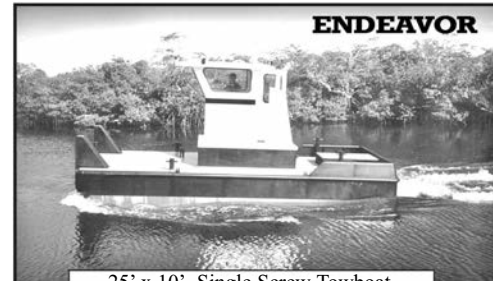
FULLY EQUIPPED

THIS BOAT AND OTHER MODELS ARE IN STOCK FOR DELIVERY TODAY!



CONQUEST

25.5' x 12', Single Screw Towboat, 225 h.p., Flanking Rudders.



ENDEAVOR

25' x 10', Single Screw Towboat, 225 h.p., Flanking Rudders.

Just Turn the Key. Everything is Included.

- Towing Bitt and Four Cleats
- Running Lights
- Lockable Pilot House and Engine Room
- Non-skid Deck
- Engine Room and Pilot House Lights
- Opening Front Window in Pilot House
- Coolant Tanks with Level Indicators
- Large-Capacity Fuel Tank
- Full Instrumentation
- 1200 G.P.M Bilge Pump



BORN TOUGH.



PROGRESSIVE INDUSTRIAL, INC.
PALMETTO, FL

(941) 723-0201

PUSHBOATS-BARGES.COM

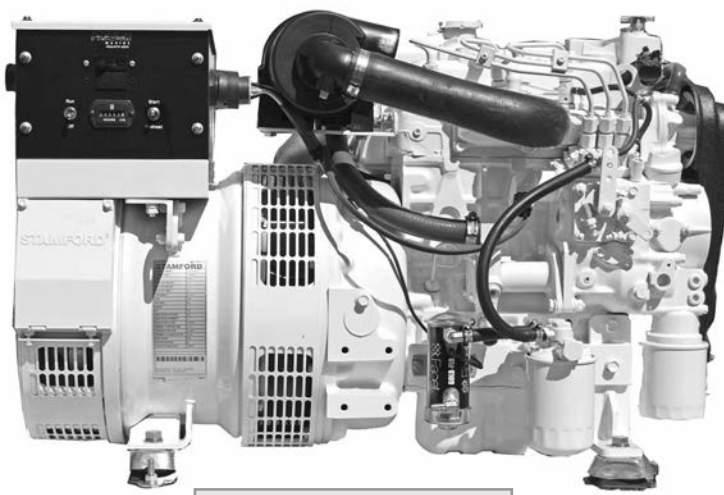
Sectional Barges
8' x 20' to 15' x 60' per section pin together to form as large a platform as needed.

**Fast Delivery!
Call Now for a Quote!**

PHASOR MARINE

Powered By Kubota

Phasor Marine, is one of America's leading manufacturers of marine gen-sets from 3.5 KW - 99 KW. By combining a Kubota or John Deere diesel engine with the finest generators available, you will have the Raw Power, Simplicity and Reliability that has made **Phasor Marine** the new industry standard for excellence. Call now for more information on the complete line of marine gen-sets.



K3 - 9.5 KW

Kubota

Standard Equipment: 1800 RPM Sets

- Kubota or John Deere Diesel Engine
- Single Bearing Generator With Epoxy Coated Stator Windings
- ± 1% Solid-State Voltage Regulation
- Low 1,800 RPM Operating Speed
- Four Point Isolation Mounts
- Automatic Low Oil Pressure and High Water Temperature Safety Shutdown Systems
- Fresh Water Heat Exchanger Cooling
- Water Cooled Manifold and Stainless Steel Exhaust Elbow
- Direct Driven raw Water Pump
- RACOR Fuel Filter
- Electric Fuel Transfer Pump
- Toggle Switch Start with Preheat, Start, Run, & Stop Positions
- Awl-Craft 2000 Urethane Finish
- Oil Drain Valve
- Zinc Anode in Heat Exchanger
- Air Intake Silencer
- Spin On Oil Filter
- 5 Year Limited Warranty

BOATS & HARBORS SPECIALS

MODEL	PRICE	MODEL	PRICE
K2 - 4.5 IPC	\$ 8,280.00	K4 - 12.5 KW	\$11,265.00
K3 - 7.0 IPC	8,720.00	K4 - 15.0 KW	11,865.00
K3 - 6.5 KWC	8,190.00	K4 - 17.5 KW	12,925.00
K3 - 7.0 KW	8,390.00	K4 - 21.0 KW	13,985.00
K3 - 8.0 KWC	8,895.00	K4 - 24.0 KW	15,625.00
K3 - 8.5 KW	8,735.00	K4 - 30.0 KW	19,250.00
K3 - 9.5 KW	9,695.00	K4 - 34.0 KW	21,175.00
K3 - 10.0 KWC	10,170.00	J4 - 65.0 KW	30,825.00
K4 - 12.0 KWC	11,385.00	J6 - 100.0 KW	39,225.00

SOUTHEASTERN POWER PRODUCTS

2880 Hammondville Road, Pompano Beach, FL 33069
Phone: (954) 979-5899 • Fax: (954) 979-4349
900 Industrial Park Rd #10 Deep River CT
Phone 860-526-9773 • Fax 860-526-2090

come visit our website
www.phasormarine.com

Acadian Marine Transmission
 Allison Marine Gear Specialist
 217 Burgess Dr., Broussard, LA 70518
 Ph (337) 837-3636 • Fax (337) 837-3633
 www.acadianmarinetransmission.com

**Marine Transmissions & Parts,
 Hydraulic Pumps & Parts,
 Flywheel Assembly & Parts, Service**

- Repair/Exchange/Outright – Allison M & MH Transmissions
- M, MH, Twin & Quad Units
- Repair/Parts – Twin Disc & ZF Transmissions
- Repair/Exchange - New Hydreco Pump & Eaton Pumps



GREAT POINT
 1,120 Passenger Ferry



CELEBRATION LADY
 149 Passenger Sternwheeler



MYSTERE
 88 Passenger Yacht



ROYAL ARGOSY
 752 Passenger Packet

New & pre-owned

PINNACLE MARINE CORPORATION

608/788-3210 • FAX 608/788-3227
 E-MAIL: info@pinnaclemarine.com
 www.pinnaclemarine.com

MAINE BOATBUILDERS' SHOW

March 24, 25, 26, 2017
 512 Warren Avenue • Portland, ME 04103
 Hours: 10-6 Friday & Saturday, 10-4 Sunday

A gathering of the finest fiberglass and wooden custom boat builders on the East Coast. Also exhibiting numerous manufacturers of boating equipment. Sailboats, powerboats, canoes, kayaks, and rowing boats with the builders there to discuss and sell their work.



New Location
 512 Warren Ave
 Portland Sports Complex

Produced by:
 Portland Yacht Services
 207-774-1067

For More Updated Information Go To:
www.portlandyacht.com

JEMISON MARINE SHIPYARD

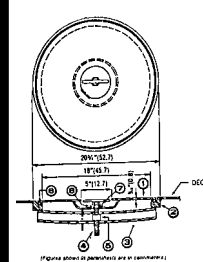
**New Constructions,
 Repairs And Conversions**

(NEW) BOATS FOR SALE

251-824-7878 • 251-824-4575 (Fax)
 9315 Little River Rd • PO Box 645
 Bayou La Batre, Alabama 36509

Contact: Tim Jemison
 website: www.jemisonmarine.com

NEW FLUSH HATCHES



PIECE NUMBER	NAME	MATERIAL
1	COVER ASSEMBLY	MILD STEEL
2	DECK RING	MILD STEEL
3	STRONG BACK	MILD STEEL
4	TEE HANDLE	STAINLESS STEEL
5	NUT	BRASS
6	GASKET	NEOPRENE
7	WASHER	BRASS
8	WASHER	NEOPRENE

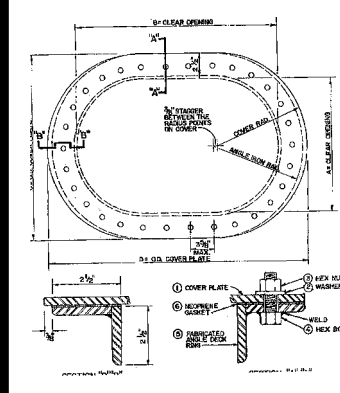
PRICE ON REQUEST

NEW 18" & 24" HATCH COVERS



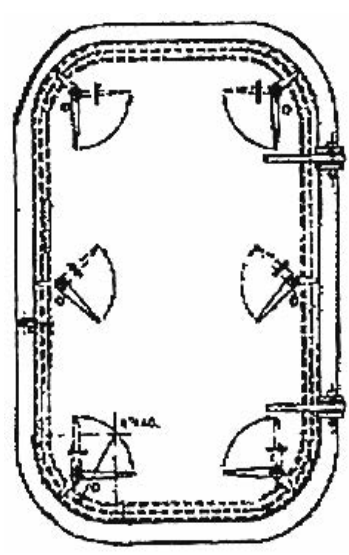
Flush mounting watertight hatch with machined steel mounting ring. T-handle is recessed and hand tightens against a strongback across mounting ring: 18" 90lbs. - 24" 120lbs.

FACTORY NEW - SIZE 15x23 RAISED BOLTED PLATE MAN HOLE OR TANK TOP COVER

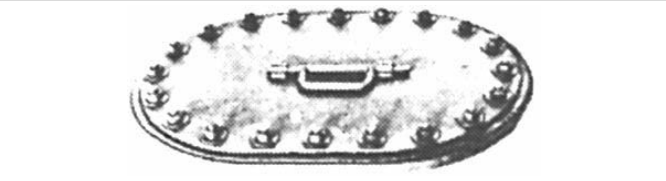


1/2" Thick-Cover 3/8" Thick Coaming 2-1/2" High Overall dims. of cover 20" x 28-3/4" Overlap for lifting No handles necessary

6-Dog Watertight ABS Steel Doors



1/4" Panel
 5/16" Frame
 Righthand & Lefthand
 Clear Opening Sizes:
 26 x 60
 30 x 60
 30 x 66
 30 x 72
 Available in either Manual or Quick-Acting Operation (4-Dog doors also available) Other sizes available by special order.



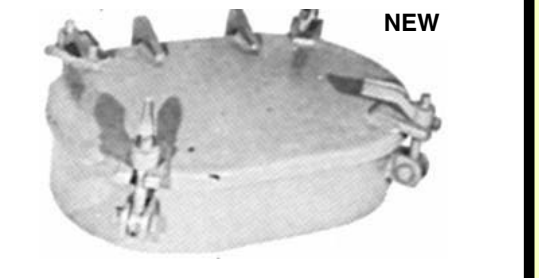
NEW 15" x 23" TANK TOP COVERS

3/8" COVER & 3/4" DECK RING
 Complete with Neoprene Gasket w/Brass Washers & S.S. Nuts 20 Bolts - Wt. 95 lbs.



24"- 36"- 48" KEVEL CHOCKS

NEW 7" RADIUS PANAMA CHOCKS
 (Meet Panama regulations)
 14" x 10" CLEAR OPENING
 With extended legs for welding to deck.
 14" Wide on base - 28" Length - 27-1/4" High
In Stock Immediate • Delivery



4-DOG GENERAL PURPOSE 15" x 23" x 5" HATCH

ALSO AVAILABLE
 Open and Closed Chocks
 Single and Double Bitts
 All types of Marine Equipment

TRUCKABLE TUGS FOR LEASE

330 - 660 HP • UNDER 26' • NO CG LICENSE REQUIRED



5 Jones Street, Dubuque, IA 52001
Office: (563) 583-0556 • Fax: (563) 556-2293
sunflower-enterprises.com



JOHNSON DIESEL SERVICE

Dealer for Cummins, Detroit, & Volvo Marine & Industrial Engines, Power Units and Generator sets. New, exchanges and used engines. We carry exchange and new Twin Disc and ZF Marine transmission and all parts necessary for overhaul's.

Phone (228) 392-1311 Fax (228) 392-0096

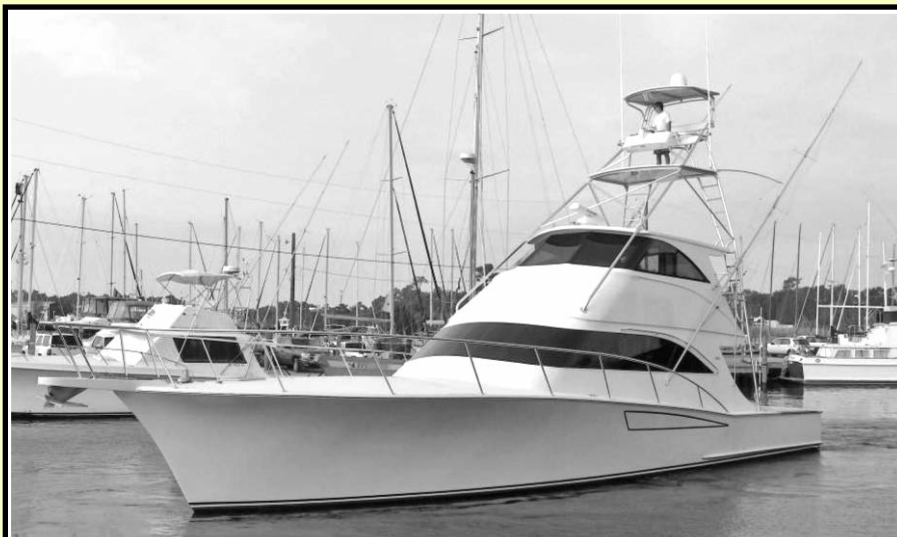
Email: johnsondiesel@cablone.net • Website: JohnsonDiesel.com

For Sale: 2003 Zodiac H920 Fireboat



Powered by Twin Yanmar 440 Diesel engines and Twin Disc water jets. 200 gallon fuel capacity. Features include generator, 1750 GPM fire pump, roof-mounted deck gun, 30 gallon foam tank, air conditioning and heat, remote ACR searchlights, Whelen hailer, Raytheon electronics package, and numerous other extras.

For more information contact Dean at (561) 909-9788



2008 57' Gilman Sport Fisherman, twin Detroit Diesel Series 60 engines (1400 hours), Twin Disc MG-5114-A Transmission, Electronic Controls DDEC IV, 25 kw Northern Lights generator, Full Electronics, MSD unit, 220 gal fresh water, Twin Helm Hydraulic Steering, windlass, Auto-Pilot, 4 blade props, 3" SS shafts, 2-AC/heat units, stereo radio, Flat screen TV, DVD Player. Very economical (45/50 gal/hr. @ 20 knots). Survey completed and available for review. (Valuation based on survey @ \$750,000) Will consider trade for express.

~~\$450,000.00~~ \$420,000.00

Call: 251-599-8383 or Email: purchasing@steinermarine.com

60' Paddle Wheel Cruise Boat



Licensed for 130 passengers. Full galley and bar, second deck has dance floor and band area. Detroit mains & generator, Operating in VA. In summer and FL. in winter. Available with or without established business.

Asking \$333,000.00 • (804) 366-7191



NAVY WHALE BOAT PIRATE ADVENTURE TURN KEY BUSINESS

FIRST \$14K TAKES THE BOAT
 Pirate themed vessel and all the treasure! (Pirate statues, floating island, loot bags, flags etc.) 26 Foot Coast Guard Certified, 13 + passenger navy whale boat. Turn key business.

**Boat - \$14,000
 Whole Business \$22,000
 (617) 828-9250**

WORKING SHIPYARD FOR SALE



7 Acres of land, 25,000 sq. ft. of covered fabrication shops, over 2 acres of concrete area, 60 ton Marine Travel lift, cherry pickers 2, fork lifts 3, tractor 1, man lift 1, scissor lifts 2, 120 ton press break, numerous welding machines, plasma cutters, saws and tools, 21" LFMT Lathe 1. 600 feet of water front, 200 feet with steel bulkheading, 4,000 sq. ft. of warehouse area, 1,840 sq. ft. of office space.

\$2.5 M

**Financing available to qualified buyer.
 Gulf Coast of Louisiana**

Call (337) 519-1582



Alario Bros

Hardware & Fisherman Supplies

Alario Bros.

894 Avenue A, Westwego, Louisiana 70094

(10 minutes away from New Orleans)

Phone (504) 341-1843 • Fax (504) 347-8339 • AlarioBros.com

Alario Bros. Marine Supplies, Inc., is a family-owned-and-operated business providing a large variety of marine hardware. We have been specializing in the shrimp and fish industry since 1952. We carry one of the largest inventories of commercial shrimping and fishing supplies in the world. We want to make sure you are equipped with the best commercial fishing supplies available.

ALL ITEMS BELOW ARE IN STOCK PLUS MUCH MORE

PYI

OGURA CLUTCH

PITTS

EATON
Char-Lynn

BUCK ALGONQUIN

Michigan Wheel Marine

ASANO

Over 200 3 & 4 Blade Propellers **IN STOCK**

Propeller Shafts **IN STOCK**

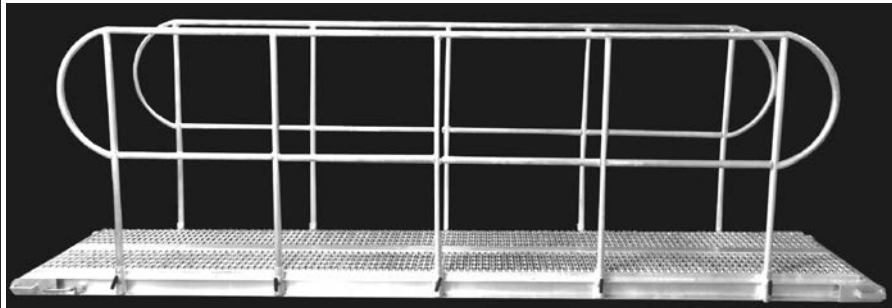
Hydraulic Steering **IN STOCK**

Hydraulic & Electric 12 volt Winches **IN STOCK**

Stainless Steel Hardware **IN STOCK**

Knotless Poly Netting Imported From Japan **IN STOCK**
 We also stock Knotted Philippine Nylon & Poly

Standard 12' Aluminum Gangways
\$2200.00 • 12' x 30"



Grip Strut Grating • Removable Handrails
Handles and Retractable Wheels for easy one man use
Contact for more information and pics:
bwyble@sup-us.com / 409-985-2448
Sabine Universal Products, Port Arthur, TX



Game Changer

Much has gone into the design and engineering of our new generation of the popular Chesapeake Class pilot boat. We started with the proven C. Raymond Hunt Deep-V hull and incorporated an interceptor trim-control system and steerable pod drives to provide more comfort, increased maneuverability and higher speeds – all while burning 25% less fuel.

To learn more, call Peter Duclos at 508.676.8596 or visit www.gladding-hearn.com.

GLADDING-HEARN
 SHIPBUILDING
 Duclos Corporation



INCINOLET® electric incinerating toilets

PROBLEM SOLVED!

Need a toilet in “no discharge” zones?

For boat or dock, home or cabin – INCINOLET, your best solution!

SIMPLE to install, maintain.
 120 or 240 volts

US Coast Guard Certified

ULTRA CLEAN: waste reduced to sterile ash. As little as a cupful weekly. Dump in garbage.

TOP QUALITY: stainless steel, platinum odor control, quality controls assure long life.



1-800-527-5551
www.incinolet.com

RESEARCH PRODUCTS/Blankenship • 2639 Andjon • Dallas, TX 75220

110' x 34' 1943 STEEL • EX-NAVY REPAIR BARGE



All steel construction Appears to be in Very Good or better condition throughout! CLEAN: Used for Electronics repair. 96' two-story house w/ 7' 2" ceiling height. 7' open deck at each end. Approx. 3,250 sq. ft. on each of two decks & below main deck which has refrigerated storage & water integral tank approx. 2500 gal. Fully plumbed w/heads & showers on 2 decks, 500 cu. ft. holding tank. Fully

MODERNIZED electrical w/480/240/110 shore power & transformers. Fire suppression sys., Fiber optic wired thruout, vapor proof DOANE lighting. No propulsion or gen set. All interior walls on upper decks removed, totally open space ready for your EASY reconfiguration. Perfect conv. to camp, quarters barge, shops, display, retail, floating residence, etc. Loc. in fresh water at Seattle, WA.

\$249,500.00

ALL Details • Photos: www.PacificMarine.org
Email: david@pacificmarine.org • (206) 225-3360



VISIT OUR SHIPYARD
ORANGE, TEXAS

CALL (409) 988-0005
for SPECS OR QUOTE
www.inlandboats.com
Email:
inlandboatworks@gmail.com

The ORIGINAL
Truckable Boat Builders

CUSTOM BUILT PUSHBOATS AND
DECK BARGES YOUR DESIGN OR OURS

STANDARD MODELS • CONTINUOUS PRODUCTION OVER 45 YEARS BUILDING BOATS & BARGES



MODEL 2516
 25'9" x 16'0" x 5'6"
 650-750 H.P. Twin Engine



MODEL 2510
 25'9" x 10'0" x 4'0"
 200 H.P. Single Engine



MODEL 2512
 25'9" x 12'0" x 4'6"
 400 H.P. Twin Engine



MODEL 2514
 25'9" x 14'0" x 4'6"
 600 H.P. Twin Engine



DECK BARGES
 120'0" x 30' 0" x 7'0"
 Double or Single Rake



MODEL 2520
 25'9" x 20'0" x 6'0"
 750 H.P. Twin Engine



NEW MODEL
MODEL 2523 with Quarters
 25'9" x 23'0" x 6'8"
 1125 H.P. Triple Engine



MODEL 2520 with Quarters
 25'9" x 20'0" x 6'0"
 750 H.P. Twin Engine

NEW ENGINES WITH FACTORY WARRANTY
JOHN DEERE & CUMMINS TIER III COMPLIANT
EXTENDED WARRANTY AVAILABLE

NEW TWIN DISC TRANSMISSIONS
AQUAMET 17 PROPELLER SHAFTS
NEW BRONZE 4-BLADE PROPS
HEAVY DUTY QUALITY CONSTRUCTION

Questions to ask before ordering your sectional barge:

1. Will my barge be designed by experienced engineers?
2. Will my barge be built to my exact requirements?
3. Will my complete satisfaction be guaranteed?

If it's important that the answer to these questions is "YES", then contact us at:



RPS Barge Co.

Built to your requirements.
Built to last. Guaranteed.

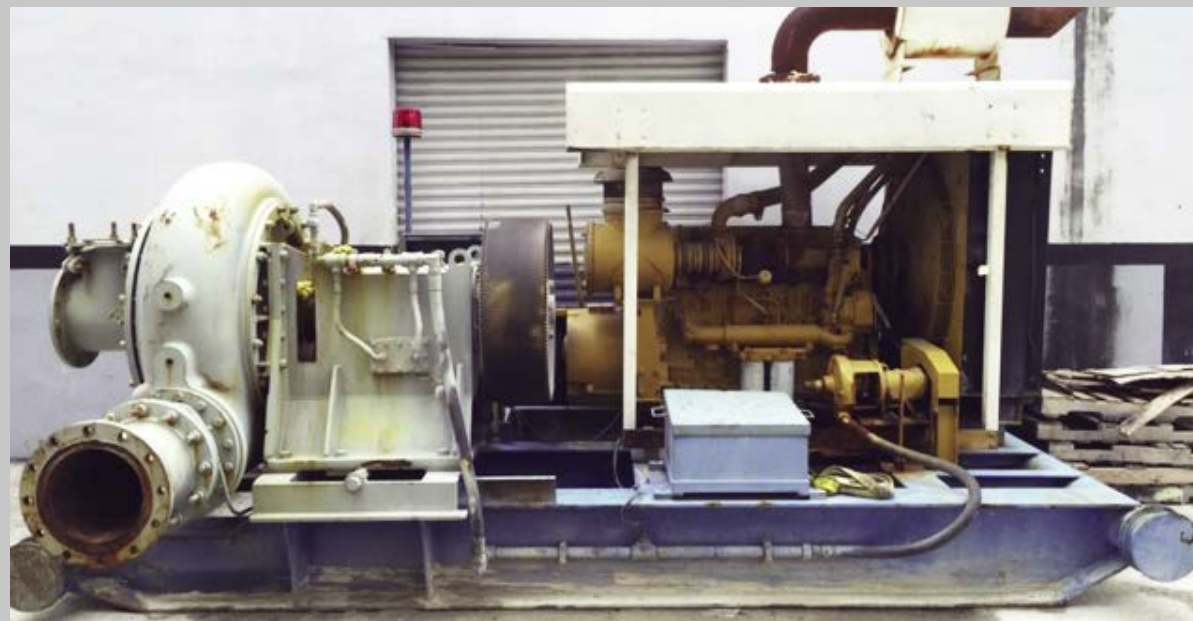
877-826-2617 502-747-5540

www.rpsbarge.com

bill@rpsbarge.com



14" ELLICOTT BOOSTER PUMP



**3,000 Hours
With
Caterpillar C18
\$150,000 OBO
Call:
(305) 206 9090
or Email:
Ahernan124@icloud.com**

Circle Line XVI & CL XII (sister ships)



Sightseer XII



Official # 514070

Built in 1934 • Certified to carry 442 passengers,
5 crew and 6 persons in addition to the crew.
All Certificates and inspections are current. Subchapter H
Note: Capable of carrying 600 Passengers.
This would require a new stability test. Rivers Route
Main Engines Repowered in April 2006
2-Cummins QSK 19 Tier 1 • H.P. – 660 each
STBD Eng# 37222041. 9105 Hours. Port Eng# 37222042. 9200 Hours
Gensets: 2- Detroit 3-71 DC • 1- Detroit 3-71 A/C 30Kw

\$450,000.00 USD

Official # 280591

Built in 1933
Certified to carry 454 pass., 6 crew & 5 persons in addition to the crew.
All certificates and inspections are current. Subchapter H
Note: Vessel is capable of carrying 600 passengers.
This would require a new stability test. Rivers Route.
Main Engines Repowered in 2008
2- Cummins QSK 19's High Pressure Common Rail Tier 2
H.P – 660 each • Port- 5672 hrs., Stbd – 5665 hrs.
Gensets: 1-Cummins Onan A/C 65KW, 2- Detroit 4-71 DC,
1-Detroit 3-71 DC

\$450,000.00 USD

**Contact NYCL For Additional Information
Email wjette@nycl.com**

Marine Equipment For Sale

From Maine Coast Marine

Phone: 207.266.0178



Email: BJGrindle@gmail.com

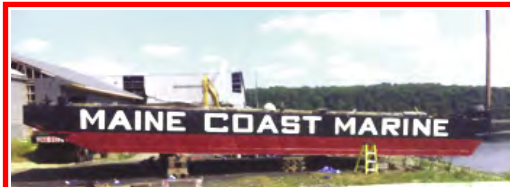


Model Bow Tug

1000 Horsepower
Year: 1999 • Length: 44'
Beam: 15' • Draft: 6'

Twin Detroit Diesel Engines.
Twin Screw. 3 Ton Knuckle Boom Crane.
Tow Bit, Teaxs Bar. Accommodation,
200 Gallons Heated Fresh Water, Shower,
Galley, 950 Fuel Capacity. Ready For Work.
Fresh Exterior Paint
(In Progress, Photo Is Current).

ASKING \$200,000



2006 58' x 24' x 5' Deck Barge

With 35' Spuds

ASKING \$37,500

Pair Of Larc-LX

(Lighter, Amphibious Resupply,
Cargo) • Hulls #52 And #53

**FOR SALE TOGETHER
OR SEPARATELY**



96' x 32' x 8' Deck Barge • 65' Spuds, Internal Hydraulic Power, Fuel
Storage, Office, Tool Room, And More.

ASKING \$150,000

**FOR SALE
SEPARATELY
OR
TOGETHER**

1966 Link-Belt LS-1088 Crawler Crane, Completely Rebuilt 2 Years Ago,
3,000 Original Hours. Plumbed For Pile Driving.

ASKING \$50,000



METAL SHARK
METALSHARKBOATS.COM



36' Courageous



38' Defiant



75' Endurance

337.364.0777 • sales@metalsarkboats.com

41' Aluminum Crew Boat - \$75K



CHARTER BARGES AVAILABLE ON EAST & GULF COASTS. OCEAN & INLAND
DECK BARGES, HOPPER BARGES, SPUD BARGES, MATERIAL AND
CARFLOATS, ABS 340 x 78 x 19; 260 x 72 x 16; 222 x 60 x 14 & 180 x 54 x 14
DECK BARGES AVAILABLE ON EAST & GULF COASTS. TUGS TO 4000 HP
AVAILABLE. FLOATING LIFT CRANES TO 500 TON. FLOATING DUTY CYCLE
CRANES TO 30 CY BUCKETS. FULL SERVICE YARDS ON EAST AND GULF
COASTS FOR MOBE SERVICES. CALL FOR COMPETITIVE BAREBOAT
CHARTER, MARINE TRANSPORTATION, HEAVY LIFT AND STEVEDORE
RATES. FULL SERVICE PROJECT CARGO RATES A SPECIALTY



Weeks Marine, Inc.

Weeks 234



**WEEKS FLEXI FLOATS FOR CHARTER
40 x 10 x 7 AND 20 x 10 x 7 SIZES
LOCATED AT OUR CAMDEN, NJ YARD**



4600 Series 4 Crawler
Lift Crane w/ Series 3
Ringer Attachment

CONTACT: Jim Irwin

PHONE: 908-272-4010

E-MAIL: HJIRWIN@WEEKSMARINE.COM

WEBSITE: WWW.WEEKSMARINE.COM

ABS BARGES FOR CHARTER EAST & GULF COAST

Weeks 2220	222 x 60 x 14 ABS Deck	USEC
Weeks 2223	222 x 60 x 14 ABS Deck/Spuds	USEC
Weeks 2600	260 x 72 x 16 ABS Deck Barge	USEC
Weeks 2701	340 x 78 x 19 ABS Bin Barge	USEC
Weeks 2902	180 x 54 x 14 ABS Deck Barge	USEC

EQUIPMENT FOR SALE

EAST & GULF COAST BARGES/BOATS

Steve L	41' Aluminum Crew Boat	\$75K
Weeks 234	125 x 40 x 10.5 Deck Barge	\$125K

HAWAII BARGES/BOATS

Weeks 18	110 x 34 x 11 Deck Barge	\$POR
Weeks 64	135 x 50 x 11 Deck Barge	\$POR
Weeks 68	105 x 70 x 12.80 Deck Barge	\$POR
Weeks 190	180 x 54 x 12 Deck w/Bin	\$POR
Weeks 538	160 x 50.5 x 12.4 Whirley Crane	\$POR
Rick H - Tug	Model Bow 43.6 x 15 x 4.6	
	Single CAT D-343 - Hawaii	SOLD

CRANES

Hagglund Cranes	Located Houma, LA	\$335K Ea.
Manitowoc 4600 Ringer	750T	\$POR


WINCHES

Clyde Frame 6 (3) Drum, Good Shape, No Power	\$75K
Skagit RB 100 Two Drum	SOLD

Buckets, Cranes, Hammers, Winches and Other Heavy
Equipment Also Available - See Website
www.weeksmarine.com



1984 - 38' Monark Crew Boat
Twin 671 225 HP ea., Twin Disc 507 2:1 gears 27 x 26 SS wheels, ready to customize for your mission.
\$55,000.00 • Call (302) 462-5205 or captdroney@aol.com




Party Boat For Sale
Licensed 73 + 3, 31 Upper Deck, rewired 2014. Pair of 671's and 7.5 KW generator. Located in Montauk, NY. Fasteners good until 2021.
\$75,000 OBO • (631) 513-9815



1983 43' Miller Aluminum Work Boat
Price Reduced \$95K (OBO)
550 HP John Deere With 2700 Hours. Currently Set Up For Commercial Assistance Towing.
(609) 827-7557



105' LOA Breaux Crewboat
Built 1977, 3 Detroit 12/71T1. 2 Detroit 30kw gen sets. All certificates current. Ready to work.
\$375,000
Contact Russell @ (956) 433-1133



28' Aqua Sport, 1989. 210 Cummins, 150 Gal. Fuel Tank, Engine Has 800 On Rebuilt.
Must Sell - Fernandina, FL
\$16,500.00 • (904) 548-7815




Crabbing Business / Boat For Sale
Summer Seasonal, Profitable, Coastal DE. 12 Pass, 28' Carolina Skiff, COI Current. 225 HP Yamaha, Turn Key.
Justin • (302) 344-2214




56' 2002 1200HP PUSHBOAT FOR SALE or CHARTER
Twin Detroit 1292's, Recent Drydock. Located in FL
Call: 908-296-0997


www.Sightseerboats.com
Quality and Affordability
All Boats Built To USCG Partially Protected Criteria
Eco-Tour, City Tour, Party Cruise, Water Taxi's Boats
35', 40', 45' & 50' Lengths - 10, 12, 13 & 14 Ft. Widths




All Aluminum Construction Means Lower Operational Costs & Requires Smaller HP Motors. Dual & Multiple Route COI's Available



Fiberglassed Deck - Shallow Running Hulls • Now Taking Orders With 10-16 Week Delivery



40' • 42 Passenger



35' • 36 Passenger

"V" Bottomed Catamaran Hulls
FACTORY DIRECT SERVICE & PRICING
BUILT TO MEET YOUR SPECIFIC APPLICATION & SITUATION
Powered By Mercury 4 Stroke Technology
Full Turnkey Boats Starting Under \$100K

727.856.6900

TOUGH Kubota PARTS **LARGE INVENTORY SAME DAY SHIPPING**

KUBOTA Reman
STARTERS / ALTERNATORS / TURBO'S

LIST OF SPECIFICATIONS
Kubota Diesel Engine
1800 RPM Generator Single or 3 Phase
Brushless Exciter
Automatic Voltage Regulator
High Temp and Low oil shutdown system
Air Cleaner
Belt Guard
Hour Meter
Key Switch
Stable Flex Neoprene Vibration Isolators
Fuel Filter
Mechanical Fuel Transfer Pump

OPTIONAL EQUIPMENT ACCESSORIES
Weather Proof Enclosures
Drip Pan For Skid
Fuel Tanks
Circuit Breakers
110/220 Outlets
Fuel Water Separators
Deluxe Gauge Panels
Extended Deluxe Gauge Panels to 50 ft.

Kubota
AUTHORIZED DISTRIBUTOR (800) 925-4966
ENGINES / GENERATORS / PARTS




Marine and Industrial Generators

MODEL	KW	PRICE
KG8KWKC-ECS	8	\$5,920.00
KG10KWKC-ECS	10	\$6,130.00
KG12KWKC-ECS	12	\$6,800.00
KG15KWKC-ECS	15	\$7,810.00
KG17KWKC-ECS	17	\$8,050.00
KG21KWKC-ECS	21	\$9,075.00
KG25KWKC-ECS	25	\$9,355.00
KG30KWKC-ECS	30	\$9,810.00
KG40KWKC-ECS	40	\$12,715.00
KG50KWKC-ECS	50	\$13,860.00

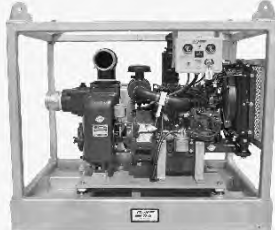
*****TIER 4 GENERATORS AVAILABLE*****

GL SERIES LOWBOY II

GL7000-USA	\$4,650.00
GL11000-USA	\$5,750.00



Pressure Washer
3K to 10K Cold Water
3K to 5K Hot Water



Trash Pumps 3 to 6 Inch



HPU Units

GULF ENGINE.COM **GULF TEK.COM** **CAVI TEK.COM** **HYDRA COMP.COM** **RENT**

2306 Engineers Road, Belle Chasse, LA 70037
Office: (504) 393-1701 * Fax: (504) 393-1627 * Toll Free: (800) 925-4966



OIL PADS

Only \$19.95 Per Bale

Five Stocking Locations

We Have The Best Prices On Oil Absorbents, Booms, Pads and Socks.

800-9-BUYNET

www.buyingnetwork.com

Marine Travelift - 15 AMO
(15 Ton Capacity)



1984, 13' 8" ICW (Extra Width Available), 18' ICH, Hydraulic Jib Crane, Rebuilt Trunnion Pin, Hydraulic Cylinders, Steering Pins/Bushings, Great Cond., Ready To Work. Available Immediately. \$29,500 OBO

Kendrick Equipment

dave@kendrickequipment.com

(866) 744-9921



Smithwick & Mariners Insurance, Inc

Specializing in Inspected Passenger Vessels, Marinas, Boatyards, Boat Dealers, Mobile Marine Repairers & Various Commercial Marine Businesses as well as Yachts & Private Pleasure Boats

- ✓ Commercial Fishing, P&I, Lobsterboats
- ✓ Pollution Coverages
- ✓ NHCFA: Fishboat Program (New Hampshire)
- ✓ Charter Vessels
- ✓ Loss Free Credit/Loss of Income
- ✓ Payment Term Options

Call to customize a program for your needs:

603-394-7008

www.blackadarmarine.com

THE RIGHT CHOICE WHEN YOU NEED TO POWER UP



DF-656-40 ELECTRIC WINCH

Heaviest winch in its class

nabrico-marine.com
615.442.1300

NABRICO



50' Magnum, Solid Hull, Intermarine Don Aranow Design. No Engine, All Running Gear, Outside Rudders, Interior Nice, The Bow Has Crew Quarters. 5 Tanks, 1000 gal Fuel.
(727) 345-4500



Nelson Class 44' x 12' Fiberglass Pilot Boat. Built 1985 by HALMATIC Ltd. UK. 23 kt max. New Twin Volvo TAMD71B 270 HP installed in 1997. In 2006, both engines removed from boat and complete overhaul performed. To date, engines have approx. 3,000 hours since overhaul. In 2013 a \$20,000 rewire project performed. \$175,000 • (910) 520-8505

INDUSTRIAL DIESEL, INC.

8705 HARMON • FORT WORTH, TX 76177 • Ph: 817-232-1071 • FAX: 817-232-0354 • WATS: 800-323-3639

WORLD WEB WEBSITE • <http://www.industrialdiesel.net> • EMAIL: sales@industrialdiesel.net

SEE OUR COMPLETE INVENTORY ON THE WORLD WIDE WEB

NO C.O.D'S PLEASE WE ACCEPT VISA AND MASTERCARD Se Habla Español

POWER UNITS

4-71T Detroit Power Unit
160 HP,
Low Hours
\$8,500



3054C Caterpillar Power Unit
160 HP, Low Hours - \$6,000



Caterpillar C4.4 Power Unit
Tier III, 100 HP RTO - Call For Pricing



Perkins 1104 Tier IV Power Unit
100-117 HP RTO, Low Hours - Call For Pricing



Caterpillar 3126 Tier II Power Unit
200 HP RTO, Low Hours - \$7,500

GENERATOR SETS



600KW D398 Caterpillar Generator Set
Prime Power, 2556 Hours
\$35,000

INVENTORY & COMPONENTS!

D399 Caterpillar Engine
1200 HP,
102 Hours since new.
\$58,000



KT38 Cummins Engine
950-1200 HP,
Rebuilt
\$65,000

Rebuilt Cummins Diesel Engines

	Exchange	Outright
KT19 / 1150 / 450	\$ 24,500	\$ 31,500
KTA19 / 1150 / 525 / 600	\$ 26,500	\$ 36,000
QSK19	\$ 43,000	\$ 55,000
KTA38 High Profile	\$ 75,000	\$ 95,000
KTA38 Low Profile	\$ 80,000	\$ 115,000
KTA50 High Profile	\$ 90,000	\$ 125,000
KTA50 Low Profile	\$ 95,000	\$ 135,000
QSK50	\$ 145,000	\$ 195,000

Prices are for standard industrial engines. Prices subject to change for non-standard engines.

CALL NOW!!

Inquire about our used DDA parts Inventory & Components

CUMMINS

KT 19/1150	BLOCK NEW STYLE 12 BOLT FRONT.....	\$ 5,000
KT 19/1150	BLOCK NEW STYLE 11 BOLT FRONT.....	\$ 4,500
KT 19/1150	CRANKSHAFT NEW STYLE STD/STD.....	\$ 4,500
KV 50/3067	CRANKSHAFT NEW STYLE STD/STD.....	\$ 10,000
VT 28/1710	CRANKSHAFT NEW STYLE STD/STD.....	\$ 5,000
KV 38/2300	CRANKSHAFT NEW STYLE STD/STD.....	\$ 8,000
QSK 19	CRANKSHAFT NEW STYLE STD/STD.....	\$ 5,000
KV 38/2300	BLOCK NEW STYLE VALLEY COOLED STD.....	\$ 8,500
QSK 19	FRONT COVER NEW STYLE NEW TAKE OFF.....	\$ 500
QSK 19	AFTER COOLER ASSY. NEW STYLE NEW TAKE OFF.....	\$ 3,000
QSK 19	OIL PANS NEW STYLE NEW TAKE OFF.....	\$ 350

NEW MARINE PARTS

NT 855	WET EXHAUST MANIFOLD NEW.....	\$ 950
NT 855	MARINE THERMOSTAT HOUSING NEW.....	\$ 350
NT 855	MARINE FLYWHEEL SAE #1 NEW.....	\$ 750
NT 855	MARINE BELL HOUSING NEW.....	\$ 1,000
KT 19/1150	WET EXHAUST MANIFOLD NEW.....	\$ 1,100
KT 19/1150	3003657 CONNECTOR NEW.....	\$ 105
KT 19/1150	3004718 CONNECTOR NEW.....	\$ 115
KT 19/1150	3003662 TUBE NEW.....	\$ 80
KT 19/1150	3004716 TUBE NEW.....	\$ 85

REBUILT BLOWERS

3-53, 4-53, 6V53, 4-71, 3-71, 2-71, 6-71, 12V71, 6V92T & 8V92T
EXCHANGED - \$ 600.00 • OUTRIGHT - \$ 800.00 - \$ 1,000.00

NEW CRANKSHAFTS 3412 - 5,000 • KT19 - \$4,500 • 3306 - \$1,450
3304 - 750 • 3306 - 875 • 3408 - \$4,000 • 6BT - \$7000

OVERHAUL KITS

CUMMINS

Overhaul Kits		Cylinder Heads, Valves and Springs	
In-Frame Kit	Kit		
4BT, 3.9	\$ 736	4BT, 3.9	\$ 825
6BT, 5.9	\$ 928	6BT, 5.9	\$ 900
6BT 5.9 LATE	\$ 1092	6BT, 5.9 LATE	\$ 1400
6CT 8.3	\$ 2080	6CT, 8.3	\$ 1500
KT19,1150	\$ CALL	KT19,1150	\$ CALL

Call for pricing on other models

CATERPILLAR

Overhaul Kits		Cylinder Heads, Valves and Springs	
In-Frame Kit	Out-Frame Kit		
3204	\$ 844	\$ 892	3204, 3208 \$ 800 DI
3208	\$ 1208	\$ 1319	3304 PC NEW \$ 764 DI
3304	\$ 1167	\$ 1477	3304 DI \$ 1100 NEW
3306	\$ 1730	\$ 1997	3306 DI, PC \$ 2000 NEW
3406	\$ 2272	\$ 2603	3406A, B \$ 2143 NEW
3408	\$ 3269	\$ 4202	3408 A, B \$ 2000 NEW
3412	\$ 4806	\$ 5699	3412 A, B \$ 2500

DETROIT

Overhaul Kits				Cylinder Heads, Valves and Springs			
Model	In-Frame Kit	Out-Frame Kit	Model	In-Frame Kit	Out-Frame Kit	Model	In-Frame Kit
3-53	\$ 683.00	\$ 750.00	6V71	\$ 1450.00	\$ 1534.00	3-53	\$ 850 NEW
4-53	\$ 872.00	\$ 962.00	6V71 XH	\$ 1768.00	\$ 1859.00	4-53	\$ 1000 NEW
6V53	\$ 1316.00	\$ 1400.00	8V71	\$ 1781.00	\$ 1830.00	6V53	\$ 850 NEW
2-71	\$ 502.00	\$ 550.00	8V71 XH	\$ 2336.00	\$ 2385.00	2-71	\$ 700
3-71	\$ 671.00	\$ 752.00	12V71	\$ 2547.00	\$ 2747.00	3-71	\$ 900
3-71 XH	\$ 872.00	\$ 957.00	12V71 XH	\$ 3348.00	\$ 3473.00	4-71	\$ 1200
4-71	\$ 879.00	\$ 988.00	16V71	\$ 3550.00	\$ 3645.00	6-71	\$ 1600
4-71 XH	\$ 1157.00	\$ 1251.00	16V71 XH	\$ 4635.00	\$ 4730.00	8.2	\$ 950
6-71	\$ 1387.00	\$ 1532.00	6V92	\$ 2003.00	\$ 2148.00	60 Series	\$ 1600
6-71 XH	\$ 1773.00	\$ 1914.00	8V92	\$ 2531.41	\$ 2706.07		
8.2	\$ 1473.00	\$ 1530.00	12V92	\$ 3990.00	\$ 4928.00		
60 Series	\$ 2977.00	\$ 3012.00	16V92	\$ 5100.00	\$ 5469.00		

Perkins MASTER DEALER

PERKINS OVERHAUL KITS

Complete Overhaul Kits	
3.152	\$ 858.50
4.108	758.50
4.203	754.00
4.236	898.24
G4.236	1079.03
T4.236	1392.88
4.248	1099.87
4.318	1432.00
1004-4	1023.65
T1004-4	1464.67
6.354	1807.05
6.3544	1933.33
1006-6	1652.19
1006-6T	2360.00
V8.540	3269.00

Keel Cooled	Exch Price US	Outright Price US
3-71	\$ 7,000	\$ 10,500
4-71	\$ 8,200	\$ 11,700
6-71	\$ 10,000	\$ 13,500
8V71	\$ 12,200	\$ 16,000
8V92 N	\$ 14,000	\$ 19,700
12V71 N	\$ 20,500	\$ 28,550
16V92 N	\$ 36,000	\$ 46,000

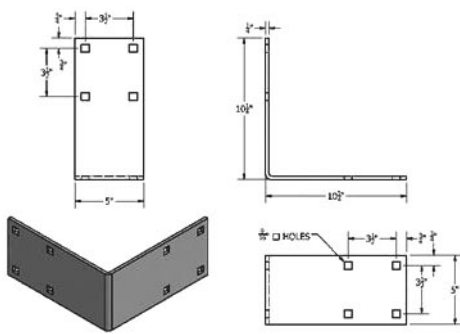
Exchange Price Includes New Air Silencer. Outright Price Includes Exhaust Manifold, Flywheel, Tank Silencers.

Heat Exchanger	Exch Price US	Outright Price US
3-71	\$ 9,500	\$ 12,500
4-71	\$ 10,000	\$ 14,000
6-71	\$ 11,500	\$ 15,000
8V71	\$ 14,500	\$ 18,500
8V92 N	\$ 16,500	\$ 24,500
12V71 N	\$ 22,500	\$ 32,000
16V92 N	\$ 38,000	\$ 47,500

Exchange Price Includes New Air Silencer. Outright Price Includes Exhaust Manifold, Flywheel, Tank W/P, Pipes For Raw W/P, Air Silencers.

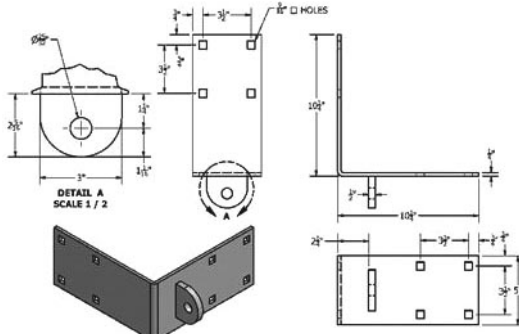
WOOD DOCK HARDWARE

MADE WITH 1/4" HIGH STRENGTH STEEL THEN HOT DIPPED GALVANIZED

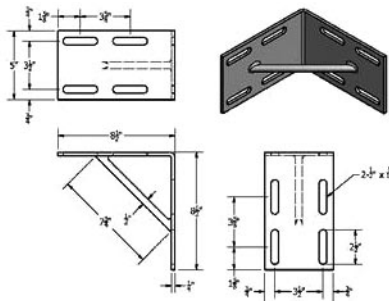


Outside Corner End (H-OCE) is used at the ends of fingers, ends of dock or for swim platforms.

H-OCE Ship#7 \$12.98



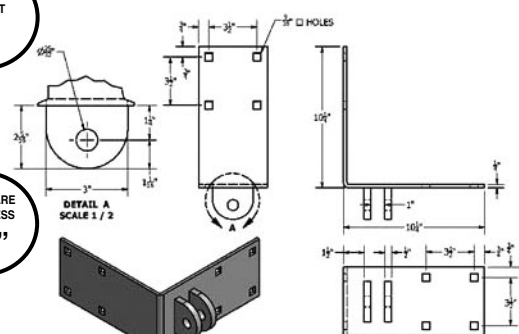
Outside Corner Male (H-OCM) has one 1/2" tab and a hole for a 3/4" bolt or B-PIN. Would be used with an Outside Corner Female (H-OCF) or with a Single "T" Female (H-SF). **H-OCM Ship#8 \$18.71**



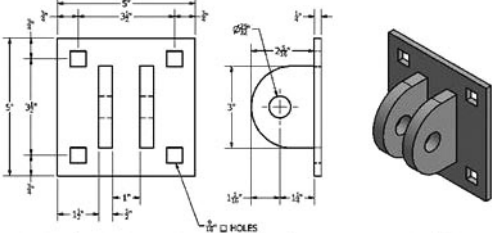
Inside Corner (H-IC) has slots and can be used with 1-1/2" - 3" thick wood. The inside corner sandwiches the wood between the opposite outside corner, keeping bolts from burying themselves in the wood. A corner gusset gives the unit a lot of strength and helps from racking the dock. **H-IC Ship#7 \$13.95**

HARDWARE HEIGHT
5"

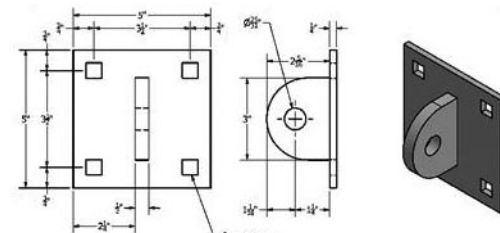
HARDWARE THICKNESS
1/4"



Outside Corner Female (H-OCF) has two 1/2" tabs and a hole for a 3/4" bolt or B-PIN. Would be used with an Outside Corner Male (H-OCM) or with a Single "T" Male (H-SM). **H-OCF Ship#9 \$22.23**



Single "T" Female (H-SF) has two 1/2" tabs and is used with an Outside Corner Male (H-OCM) or a Single "T" Male (H-SM). Both male and female singles can be bolted to the side of a dock to make finger attachments. They can also be bolted to seawalls to make ramps. **H-SF Ship#4 \$13.04**



Single "T" Male (H-SM) has one 1/2" tab and is used with an Outside Corner Female (H-OCF) or Single "T" Female (H-SF). **H-SM Ship#3 \$9.22**

WOOD DOCK HARDWARE



MERCO MARINE

Merco Marine is a manufacturer of boat dock building components and accessories. We were established in 1979. Everything we manufacture is made in the United States, with US Steel, and US workers.

The products shown here are only a small portion of the over 2000 items that we manufacture and keep in inventory for boat dock building and marinas.

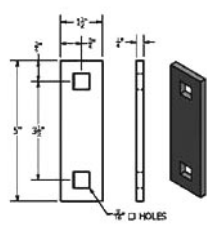
For a complete list of our products check us out on the web at www.mercoboatdocks.com or give us a call at 304-737-3006. You can also request a free copy of our 65 page catalog.

Merco Marine can provide simple parts and pieces for your small pond or lake dock to build on site, or we can build entire marinas from start to finish.

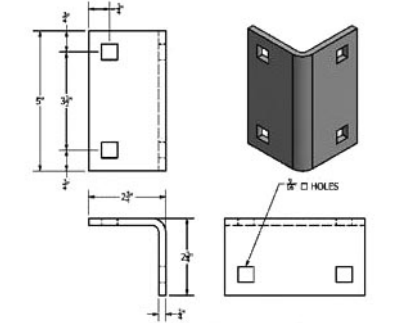
WOOD DOCK HARDWARE WWW.MERCOMARINE.COM 1-304-737-3006

WOOD DOCK HARDWARE

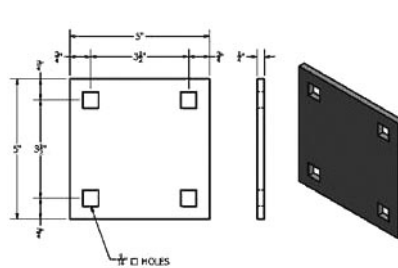
MADE WITH 1/4" HIGH STRENGTH STEEL THEN HOT DIPPED GALVANIZED



Washer Plates (H-W) are used mostly with Angles (H-A) and Cleat Angles (H-CA). The square hole in the plate keeps the carriage bolts from turning when the bolts are tightened. **H-W Ship#1 \$1.24**

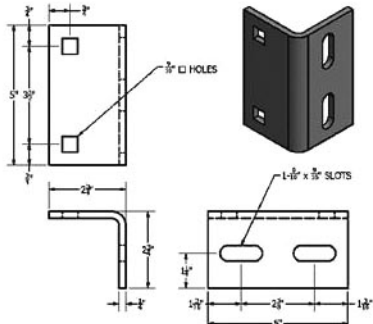


Angles (H-A) used to hold all cross stringers to side stringers using a Washer Plate (H-W). The wood is sandwiched between the steel and creates a solid corner. **H-A Ship#2 \$3.45**



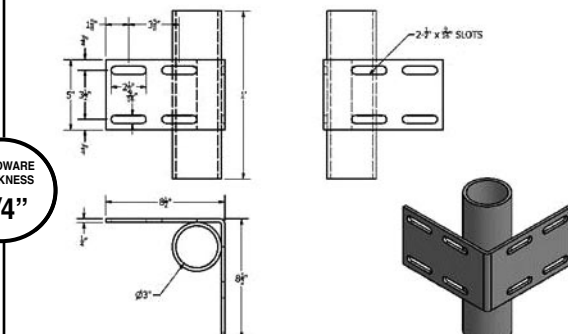
Backup Plates (H-B) are used with Single "T" Males (H-SM) and Single "T" Females (H-SF) for additional strength and to keep bolts from pulling through the wood. **H-B Ship#2 \$3.30**

WOOD DOCK HARDWARE

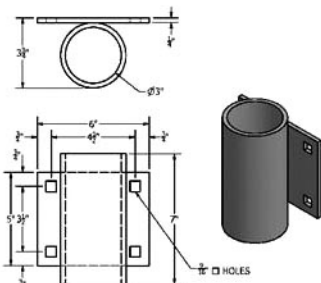


Cleat Angles (H-CA) have slots for various sizes of cleats. The cleat angle is bolted to the side stringer using a Washer Plate (H-W). The cleat is then bolted through the deck into the cleat angle. This keeps the cleat from pulling out of the deck. **H-CA Ship#2 \$4.88**

HARDWARE THICKNESS
1/4"

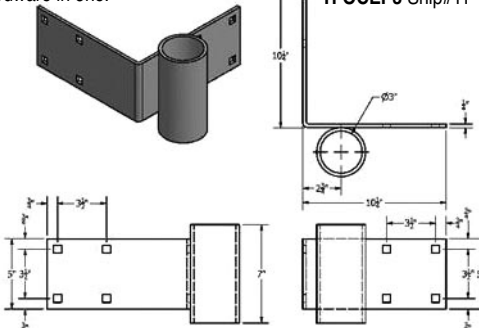


Inside Corners/3" I.D. Pipe Holder (H-IC3) has a 3" I.D. pipe holder welded in place. It can be used to replace a regular inside corner. It will accommodate a 2" I.D. pipe. **H-IC3 Ship#13 \$26.31**



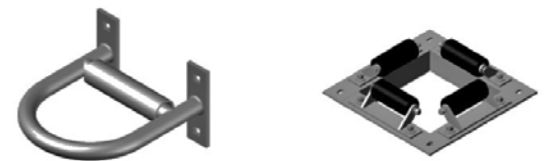
3" Pipe Holder (P-3) can bolt to the side stringer and uses 2" standard pipe to anchor docks in place. **P-3 Ship# 6 \$16.41**

3" Pipe Holder (H-OCEP3) outside corner end with a pipe holder welded to the end. 3" opening for 2" pipe. Save money by getting 2 pieces of hardware in one. **H-OCEP3 Ship#11 \$23.19**



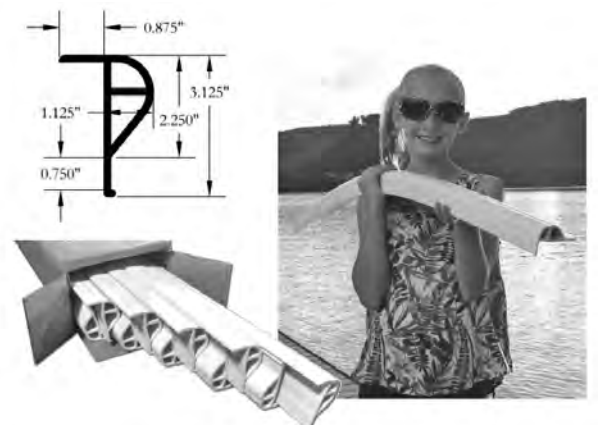
We also stock

PILE GUIDES



DOCK EDGING

Our **DE-40W** 40' Dock Edging (Shown above) comes 40' per box in easy to install 4' sections (10 per box) and includes 180 stainless ring shank nails.



DE-40W White 40' Length 31 Lbs. \$89.95

FLOAT DRUMS

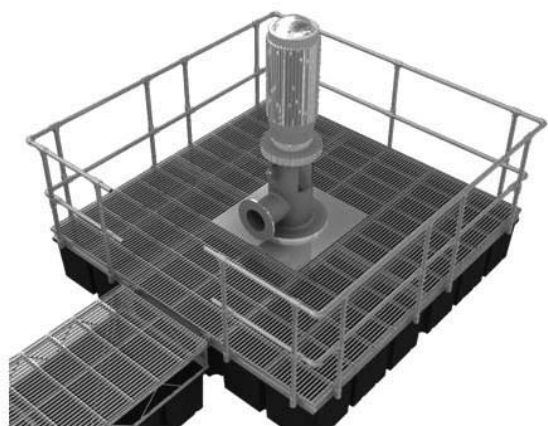
CLEATS



We also stock

SQUARE INTERNAL PILE GUIDES

For replacement roller assembly or parts see page 17.



PUMP PLATFORMS



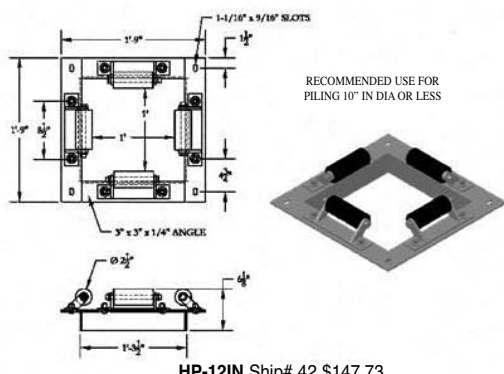
PILE CAPS



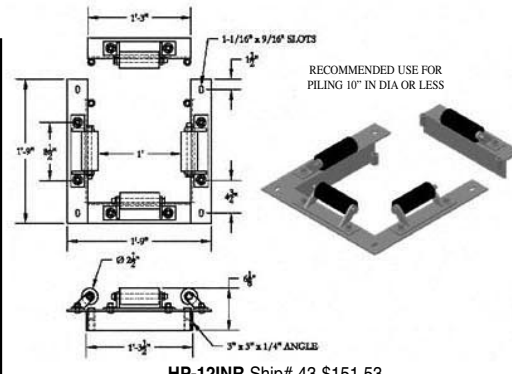
CORNER BUMPERS

View our complete product line on our website...

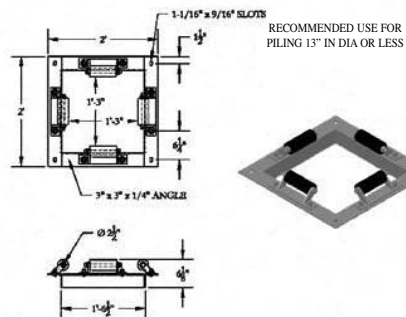
WWW.MERCOMARINE.COM 1-304-737-3006



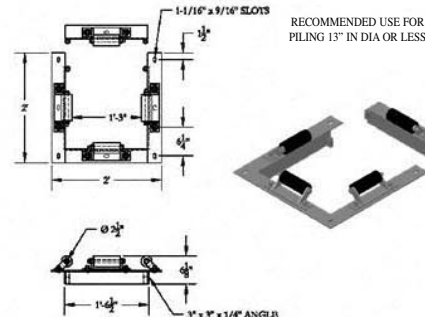
HP-12IN Ship# 42 \$147.73



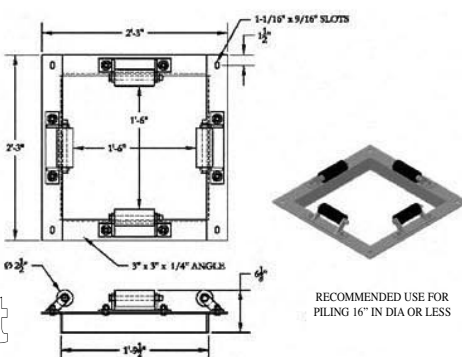
HP-12INR Ship# 43 \$151.53



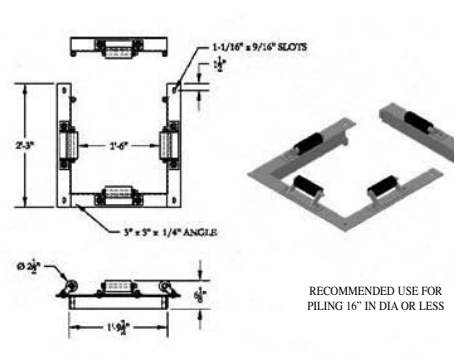
HP-15IN Ship# 53 \$162.37



HP-15INR Ship# 54 \$167.11

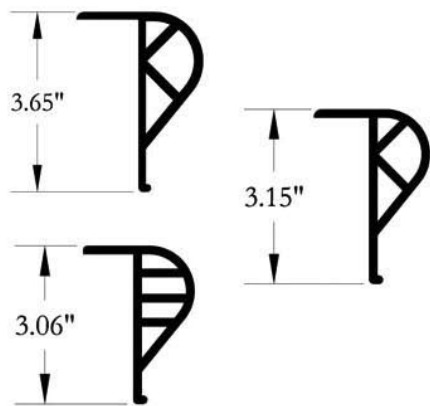


HP-18IN Ship# 58 \$170.98

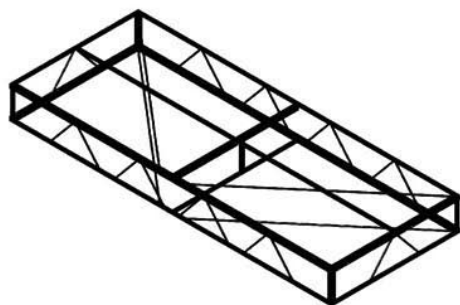


HP-18INR Ship# 59 \$175.26

PILE GUIDES



RUBRAIL



TRUSS FRAMES



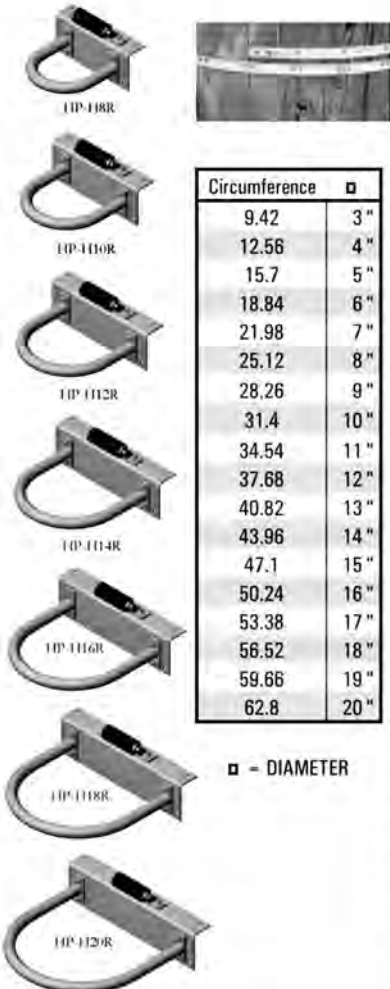
MERCO MARINE

HOOP PILE HOLDERS

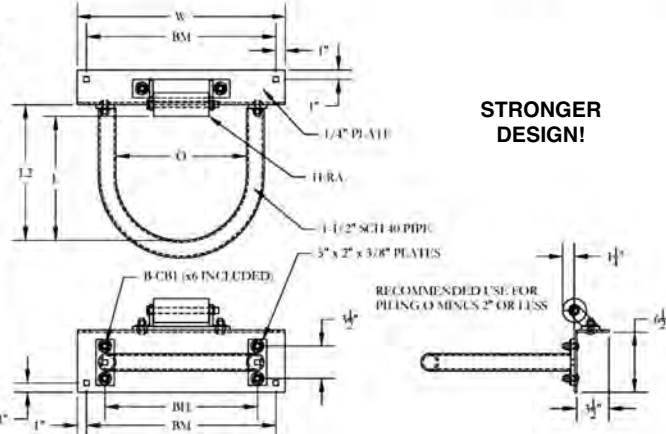
Our convertible Hoop Pile Holders have 3 basic pieces, a deck plate, a hoop and a roller assembly. This allows you to have a hoop pile holder the way you want it, whether it be a permanent hoop, a removable hoop or a hoop with a roller. You can use the roller assembly on the deck plate or bolt it directly to the dock. All parts are hot dipped galvanized. Add a UHMW Roller to any assembly as shown at the bottom of page 19. All assemblies include a deck plate, hoop, roller assembly, and 6 carriage bolts. Fasteners required to bolt to your dock sold separately on page 28.

Assembly Number	Assembled Weight	□	L	L2	W	BH	BM	Hoop Number	Hoop Weight	Deck Plate Number	Deck Plate Weight
HP-H8R	25 lbs	8"	8 3/4"	10"	15 3/4"	9-3/4"	13 3/4"	HP-H8	8 lbs	HP-DP8	12 lbs
HP-H10R	28 lbs	10"	10 1/8"	11 3/8"	18 1/2"	12-1/2"	16 1/2"	HP-H10	8 lbs	HP-DP10	14 lbs
HP-H12R	30 lbs	12"	11 1/2"	12 3/4"	20 1/2"	14-1/2"	18 1/2"	HP-H12	10 lbs	HP-DP12	15 lbs
HP-H14R	32 lbs	14"	13 1/2"	14 3/4"	22 1/2"	16-1/2"	20 1/2"	HP-H14	10 lbs	HP-DP14	16 lbs
HP-H16R	35 lbs	16"	15 3/4"	17"	24"	18-1/2"	22"	HP-H16	12 lbs	HP-DP16	18 lbs
HP-H18R	37 lbs	18"	17 1/4"	18 1/2"	26"	20-1/2"	24"	HP-H18	13 lbs	HP-DP18	19 lbs
HP-H20R	38 lbs	20"	19 5/8"	20 7/8"	27 1/4"	21-7/8"	25 1/4"	HP-H20	13 lbs	HP-DP20	20 lbs

NOTES: ALL DIMENSIONS NOMINAL. DIAMETER TOLERANCE IS +/- 1/4". □ = DIAMETER



1-1/2" HOOP PILE HOLDERS



STRONGER DESIGN!

Our mounting plates are 5" x 2" x 3/8" which are welded to the hoop and are used to mount the hoop to the deck plate. Our mounting plates are 33% thicker and 25% wider than most other hoop mounting plates on the market.

An easy way to determine the diameter of your existing pipe or piling is to measure the circumference and divide by 3.14. We've done the math for you with our Circumference chart to the left.

Circumference	□
9.42	3"
12.56	4"
15.7	5"
18.84	6"
21.98	7"
25.12	8"
28.26	9"
31.4	10"
34.54	11"
37.68	12"
40.82	13"
43.96	14"
47.1	15"
50.24	16"
53.38	17"
56.52	18"
59.66	19"
62.8	20"

□ - DIAMETER

Part Number	Assembled Price	Hoop Number	Hoop Price	Deck Plate Number	Deck Plate Price
HP-H8R	\$94.88	HP-H8	\$35.93	HP-DP8	\$33.28
HP-H10R	\$99.53	HP-H10	\$38.55	HP-DP10	\$35.31
HP-H12R	\$106.43	HP-H12	\$43.42	HP-DP12	\$37.34
HP-H14R	\$111.31	HP-H14	\$47.34	HP-DP14	\$38.30
HP-H16R	\$119.62	HP-H16	\$51.91	HP-DP16	\$42.04
HP-H18R	\$125.87	HP-H18	\$56.26	HP-DP18	\$43.94
HP-H20R	\$132.16	HP-H20	\$60.61	HP-DP20	\$45.88

ISUZU

Powerful. Fuel Efficient. Dependable.



Keel Cooled Gen Sets
6 - 99 kW

Generators • Engines • Pumps
• Marine Propulsion •



M & L ENGINE

1212 St. Charles St. Houma, LA 70360
800-960-0068 www.mlengine.com
sales@mlengine.com

● **24 Hour Parts & Service**

We are the power source !



Marine Propulsion 300 - 620 hp



Radiator Cooled Gen Sets
6 - 300 kW



Heat Exchanger Cooled Gen Sets
6 - 23 kW



Manufacturer of Marine Air Conditioning Systems, Chillers, Water and Air Cooled Package Units, Refrigeration, Explosion Proof



6,000 to 40,000 BTU



16k to 320k BTU Air Cooled
Heavy Duty, Explosion Proof



Air Conditioning Condensor
Unit / Ref. Unit up to 50 HP



60,000 to 360,000 BTU
Self Contained



Chiller 60,000-180,000 BTU



Triple Compressor up to 500,000 BTU

- Custom Engineering On Site
- Fast Delivery
- We ship world wide
- Water Cooled Self Contained Units for boats from 24 feet to Cargo Vessels
- Specialist to the Military, Shipbuilders
- Air-Cooled Marine Package AC for Pilot Houses
- Oil Rigs
- Marine Load Bank

On Site Manufacturing since 1993
Contact Us Now Toll Free 1 866 227 7773

Phone: 772 220 0038 Fax: 772 220 0260
Email us at: obr@oceanbreezeac.com
Visit us online at: <http://www.oceanbreezeac.com>
Quorum Marine and Electronics Inc.
D / B / A Ocean Breeze 3920 SE Commerce Avenue
Stuart, Florida 34997



U.S. General Services Administration

The U.S. General Services Administration (GSA) will be selling two **50 Foot Work Boats** located in Sasebo, Japan via GSA Auctions®, GSA's Government Site for Auctions.

www.gsaauctions.gov



50 Foot Work Boats
Navy Hull Registry Number C47954 and C48446
Steel Work Boat with Modified Bow for pushing Fendering installed all around, Cargo Well
Decked over for Line Handling, Canopy Frame

Builder: Unknown
Year: 1944
Overall Length: Approx. 50 Feet
Max Beam: Approx 14 Feet

Property Location:
Commander, Fleet Activities, Sasebo, Japan
Port Operations Department, Bldg 100
Muban-Chi
Sasebo, Japan 7857-0056

Inspection:
Inspection and removal by appointment only.
Appointments will be
Between the hours of
8:00 A.M. AND 4:00 P.M. ET.

Sale Number
31QSCI17034001 and 31QSCI17034002

This sale will open on
November 22, 2016 at 5:00 PM CT
and bidding will close on
December 22, 2016, at 5:00 PM CT.

Please call BMC John Offiong at 08017506485
DSN: 315-252-3397 or Mr. Yasuhiro Totoki at
09010880017 DSN 315-253-3630
to make an appointment to inspect the boat.

For additional information on this vessel,
Please consult the GSA website www.gsaauctions.gov

The listing will be available for review and bid between
Tuesday, November 5 through Thursday, December 22, 2016.

81' Passenger / Cruise Vessel \$325,000

Isle Royale Queen III

A classic design and user friendly steel hull freshwater USCG inspected 100 passenger ship powered by fuel efficient twin turbo 3306 Cats. Two Kohler generators 16KW recently rebuilt and 9KW. All cabins heated, with two restrooms.

A turnkey operation. For photos and more info go to PureMichiganBoatCruises.com and click on Sip N' Sail. Serious inquiries only please call 906-202-3863.



SERVING UP

Boats & Harbors®

Yellow-Sheet®

to the commercial marine industry

Flexi-Float & Shugart Barges For Sale

Barges Available in Egg Harbor / Somer's Point, NJ As Of 11/28/16

Description:	Serial #	Acq. Date	Price
Barge 40 x 10 x 7 - Flexifloat	EQ-2693	7/6/09	\$35,000.00
Barge 40 x 10 x 7 - Flexifloat	EQ-2734	7/6/09	\$35,000.00
Barge 40 x 10 x 7 - Flexifloat	EQ-2737	7/6/09	\$35,000.00
Barge 40 x 10 x 7 - Flexifloat	EQ-2739	7/6/09	\$35,000.00
Barge 40 x 10 x 7 - Flexifloat	EQ-2736	7/6/09	\$35,000.00
Barge 40 x 10 x 7 - Flexifloat	EQ-2745	8/5/09	\$35,000.00
Barge 40 x 10 x 7 - Flexifloat	EQ-2664	9/21/09	\$35,000.00
Barge 40 x 10 x 7 - Flexifloat	EQ-2751	9/21/09	\$35,000.00
Barge 40 x 10 x 7 - Flexifloat	EQ-2735	9/21/09	\$35,000.00
Barge 40 x 10 x 7 - Flexifloat	EQ-2752	9/21/09	\$35,000.00
Barge 40 x 10 x 7 - Flexifloat	EQ-2685	7/6/09	\$35,000.00
Barge 40 x 10 x 7 - Flexifloat	EQ-2670	7/6/09	\$35,000.00
Barge 40 x 10 x 7 - Flexifloat	EQ-2679	7/6/09	\$35,000.00
Barge 40 x 10 x 7 - Flexifloat	EQ-2688	7/6/09	\$35,000.00
Barge 20 x 10 x 7 - Flexifloat	ED-2225	8/5/09	\$20,000.00
Barge 20 x 10 x 7 - Flexifloat	ED-2229	9/21/09	\$20,000.00
Spud Well 24 Round	EW-563F	9/8/09	\$8,000.00
Spud Well 24 Round	EW-562	9/8/09	\$8,000.00
Spud Well 24 Round	EW-569F	7/6/09	\$8,000.00
Spud 60 x 24 Round Sheaved	CR-346	7/6/09	\$11,000.00
Spud 60 x 24 Round Sheaved	CR-347	7/6/09	\$11,000.00
Spud 16 x 60		10/1/09	\$2,400.00
Spud 16 x 60		8/15/09	\$2,400.00
Barge 20 x 10 x 5 - Shugart	2603	10/28/09	\$10,000.00
Barge 40 x 10 x 5 - Shugart	2484	11/15/09	\$22,500.00
Barge 40 x 10 x 5 - Shugart	2485	11/15/09	\$22,500.00
Barge 40 x 10 x 5 - Shugart	2489	11/15/09	\$22,500.00
Barge 40 x 10 x 5 - Shugart	2494	11/15/09	\$22,500.00
Barge 40 x 10 x 5 - Shugart	2495	11/15/09	\$22,500.00
Barge 40 x 10 x 5 - Shugart	2498	11/15/09	\$22,500.00
Barge 40 x 10 x 5 - Shugart	2502	11/15/09	\$22,500.00
Barge 40 x 10 x 5 - Shugart	2504	11/15/09	\$22,500.00
Barge 40 x 10 x 5 - Shugart	2505	11/15/09	\$22,500.00
Barge 40 x 10 x 5 - Shugart	2506	11/15/09	\$22,500.00
Barge 40 x 10 x 5 - Shugart	2507	11/15/09	\$22,500.00
Barge 40 x 10 x 5 - Shugart	2509	11/15/09	\$22,500.00
Barge 40 x 10 x 5 - Shugart	2514	11/15/09	\$22,500.00
Barge 40 x 10 x 5 - Shugart	2516	11/15/09	\$22,500.00
Barge 40 x 10 x 5 - Shugart	2517	11/15/09	\$22,500.00
Barge 40 x 10 x 5 - Shugart	2620	11/15/09	\$23,000.00
Barge 40 x 10 x 5 - Shugart	2621	11/15/09	\$23,000.00
Barge 40 x 10 x 5 - Shugart	2622	11/15/09	\$23,000.00
Barge 20 x 10 x 5 - Shugart	2545	11/15/09	\$12,000.00
Barge 20 x 10 x 5 - Shugart	2550	11/15/09	\$12,000.00
Barge 20 x 10 x 5 - Shugart	2551	11/15/09	\$12,000.00
Barge 20 x 10 x 5 - Shugart	2553	11/15/09	\$12,000.00
Barge 20 x 10 x 5 - Shugart	2554	11/15/09	\$12,000.00
Barge 20 x 10 x 5 - Shugart	2555	11/15/09	\$12,000.00
Barge 20 x 10 x 5 - Shugart	2556	11/15/09	\$12,000.00
Barge 20 x 10 x 5 - Shugart	2557	11/15/09	\$12,000.00
Barge 20 x 10 x 5 - Shugart	2558	11/15/09	\$12,000.00
Barge 20 x 10 x 5 - Shugart	2559	11/15/09	\$12,000.00
Spudwell Female		1/4/10	\$500.00
Spudwell Male		1/4/10	\$500.00
Spud 16 x 60 W/Slip Ring		1/4/10	\$2,500.00
Spud 16 x 60 W/Slip Ring		1/4/10	\$2,500.00
Spud 16 x 60 W/Slip Ring		1/4/10	\$2,500.00
Spud 16 x 60 W/Slip Ring		1/4/10	\$2,500.00
Spud 16 x 60 W/Slip Ring		1/4/10	\$2,500.00
Spud 16 x 60 W/Slip Ring		1/4/10	\$2,500.00
Spud 16 x 60 W/Slip Ring		1/4/10	\$2,500.00
Spud 16 x 60 W/Slip Ring		1/4/10	\$2,500.00
Spudwell Female 5		1/4/10	\$900.00
Spudwell Female 5		1/4/10	\$900.00
Spudwell Male 5		1/4/10	\$900.00
Spudwell Male 5		1/4/10	\$900.00
Spudwell Male 5		1/4/10	\$900.00
Spud 16 x 60 W/Slip Ring		2/15/10	\$2,500.00

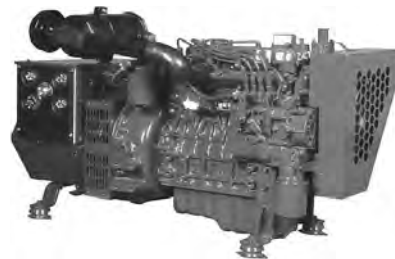
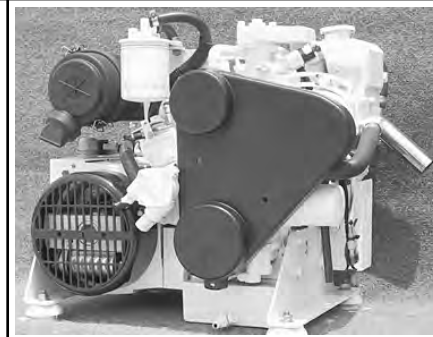
Wagman Heavy Civil

717.767.8275

www.wagman.com

NEXT GENERATION POWER ENGINEERING, INC.

DIESEL GENERATORS



Kubota

1800 RPM Generators

	Exchange Cooled	Keel Cooled	Radiator Cooled	
1cyl	3.5kw	\$ 5,545.00	\$ n/a	\$ 4,395.00
2cyl	5.5kw	6,690.00	5,425.00	5,575.00
3cyl	7.0kw	7,995.00	5,850.00	6,125.00
3cyl	8.5kw	8,295.00	5,950.00	6,225.00
3cyl	9.5kw	9,195.00	6,150.00	6,500.00
4cyl	12.5kw	10,695.00	6,850.00	7,245.00
4cyl	15kw	11,295.00	8,025.00	8,225.00
4cyl	17.5kw	12,295.00	8,225.00	8,675.00
4cyl	21kw	13,295.00	8,975.00	9,195.00
4cyl	24kw	14,850.00	9,650.00	9,975.00
4cyl	30kw	18,295.00	10,050.00	10,600.00
4cyl	40kw	19,995.00	13,775.00	11,925.00
4cyl	50kw	n/a	15,150.00	13,225.00

CALL FOR ACCESSORY PRICING

1732 St. Johns Bluff Road, Jacksonville, FL 32246

www.nextgenerationpower.com

888-463-9879

Phone (904) 642-8555 • Fax (904) 642-8175



BYRNE Rentals and Sales, LLC.

Marine & Construction Supplies

24 HR Phone (985) 702-9500

Toll Free 1 (800) 99-BYRNE

Trusted Over 30 years



SMATCO 66 DOUBLE DRUM WINCH



YOKOHAMA BOAT FENDERS - All Sizes

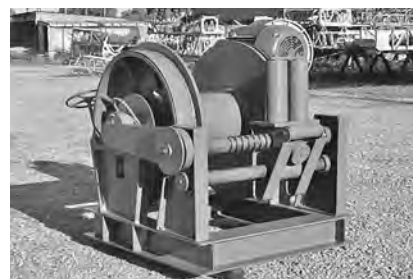


NEW AND USED ANCHORS



NEW AND USES ANCHOR CHAIN

BUILT TO ORDER CUSTOMIZED WINCHES AND PEDESTAL CRANES



Snatch Blocks	Swivels	Pulling Blocks	Marine Fittings
Yokohama Fenders	Headache Balls	Capstans	Air Tuggers
Shackles	Marine Fairleads	Windlasses	Winches
Buckets	Tow Plates	Buoys	Anchors
Deck Blocks	Generators	Crane Blocks	Ship's Chain

www.BYRNERENTALS.com

SALES@BYRNERENTALS.com

Boats & Harbors

Maximize Your Profit - Minimize Your Cost!!
CLASSIFIEDSExperience
The Selling Power of The
Yellow Sheet!Place Your Ad (931) 484-8708 or Email: Tlewis@boats-and-harbors.com • Fax: (931) 456-2337 • Submit Online: www.boats-and-harbors.com

★ BOATS FOR SALE

180' OFFSHORE SUPPLY VESSEL, North Sea Stacs. Good condition. Located Teas. Call (281) 635-7151 or Email: marineone1st@yahoo.com

1966 65 FT by 29 FT BEAM, Blount built T-boat, original stability letter to 300 as a erry boat. Now has new bottom paint, new inc plates, and new C.O.I as o Sept. '16 or 158 POB as a dinner / dance boat. Twin Detroit V-8 diesels, 10W generator all recently rebuilt. Was asing \$378 now \$275 or the boat OBO. Call Randy (231) 744-0101 or (231) 343-4142. For more info please isit: www.portcitycruiseline.com

1979 HALTER 95.4 21, crew; OSV triple screw; center V1271 w/ gear; two 30W Gen Sets. Located in Galeston, T. \$50 OBO. Call Richard (713) 705-0037.

1981 SWIFTSHIP 91 19.6' crew / OSV triple V1271T, 2,600 uel cap. Located Galeston, T. \$260 OBO. Call Richard (713) 705-0037.

SPOUSE SAYS THE BOAT MUST GO? Sell it through Boats & Harbors today! (931) 484-6100 or place your ad online at www.boats-and-harbors.com

1985 26' NAVY MOTOR Whaleboat. Mgr: Technical Fiberglass. Rebuilt engine. Ecellent condition, used as water tai / tour boat. Incl trailer, asing \$25,000. For photos and information, contact: Capt Fran Fumega (203) 219-2673 franume@yahoo.com

1985 MONAR 27 FT CREW Push Boat with trailer, aluminum, cabin, inboard, diesel. 2007 Champion aluminum tri-ale trailer. (828) 966-9223 toawayauatics@comporium.net

1990 33 FT CUSTOM Aluminum Boat or diers. Winningo builder, certied or 12-2. Can be certied or 16-2. 350 CU in GM engines. OMC out dries, ery ast, cruise at 3800 rpms, 34.5 mph, 200 gals uel, USCG certied August 16th. 25 miles rom harbor on trailer, ready to be chartered, \$125. (586) 791-3111.

1999 40' 14' CARMAN, inspected, 17+2, ecellent condition. \$74, OBO. Call Pete @ (301) 481-1889 or see it here: <https://www.aceboo.com/40carman>

2002, 60' ALL ALUMINUM Power Cat, Twin 700 Lugger engine with 1800 hours, 20 W Northern Lights Gen., ull electronics, ull galley, 2 staterooms, air & heat, 1500 Dait, 1400 uel, 150 water. Ready to cruise. Best oer. (361) 816-5190

2006 SHAMROC 247 open diesel! Under 1,000 hours Yanmar 260 BY professionally maintained. Furuno electronics, radar, etc. Fully loaded with trailer. Great condition. \$39 OBO. (252) 453-9500

2014 CAROLINA SIFF 24' set up or erry serice COI or 14 pass. with 2014 Suui 4 stroe. Full USCG pacage, VHF, GPS plotter, depth sounder. Custom railings and rub rails. In ecellent condition. \$32,500 irm. Trailer also included. Call (252) 876-2288.

25' FARALLON 1988. Super clean, neer used or wor, solid iberglass, 260 hp V-8 gas, direct drie, radar, depth, ect. Located in Sausalito, CA. \$28. (415) 331-3612

30' ISLAND HOPPER 1986, 370 hp Cummins 6BTA with 700 hrs., Borg Warner trans., and 25 hp high thrust Yamaha outboard icer. Has new uel tans and lines, boat's neer been in salt water. \$25,000. Located in the Syracuse, NY area. Contact Robin (315) 298-3803.

34 FT CAMCRAFT ALUMINUM Crew Boat with mailbo, dait, cabin. Single Detroit. Treasure hunt or dredge ready, \$19, Charleston, SC. andy@piersideboatwors.com

34' CRUSADER 1980, 15 hours total resh water, \$12,500. (989) 295-7927

35 13 FG / LOW HR CAT 21TCR, SS tans, reduced \$33,000. 37' FG O-HR-OM 6-71TI, SS tans. Beautiul sea boat. \$35,000. Appraised @ \$60,000. (843) 385-2301

42' GLASS BOTTOM Submarine replica. \$39,000.00 Delieri possible. (805) 441-7463

36 FT TWIN VEE Catamaran, two 250 Suuis, low hrs, 24 mile radar, all electronics. Priate head, priate 2 person bun. \$51,500. ohn (516) 298-2633.

39'7" FIBERGLASS SAILBOAT Proect well completed by competent cratsman. Send or DVD showing pics, ideos and details. No reasonable oer reused. Westerbee W46 running strong. georgearnoft@comcast.net

40' WILLARD LAUNCH with <50 COI. Open to oers / trades, asing \$89. Boat is located in Miami. Call or more details. (352) 219-5374

41' FORMER USCG UTB, deep ee aluminum with raised cabin, powered by two Cummins VT903M (340 hp). Many parts aailable. \$75,000 OBO. (914) 632-6696

45 FT DURACRAFT Wor Boat, repowered in 2000, runs great, 26 mph twin Cummins, Gen., Aircon, spotlight and more. \$95,000 trades accepted. Call (561) 723-2028.

46' ALASAN TRAWLER by Grand Bans. Wood hull, twin Lehman's w/ diesel gen set 6W, big, roomy & sea worthy. Located in Sausalito, CA. \$42. (415) 331-3612

46' COAST GUARD BUOY TENDER. Steel hull, 671 GM natural. Running boat as o right now. \$30 OBO. Mie (347) 287-1817

50' CHESAPEAE BOATS. 2002 enclosed lybridge, 3 helms, die compressors, 18 pass / 100NM, 800 HP Cats. Northern Lights gen, ull galley. Very heay construction glass oer ply. \$179,000. Oers encouraged. (732) 244-2106

65FT. STEEL HULL Shrimp Trawler built in 1979. Has V-12 71 Detroit engine, 5-1 gear ratio. 271 20w generator. Comes with radar, plotter, and ederal permit. Engine needs some wor. Located on Louisiana Gul Coast. Asing \$65,000.00. Please contact Mar @ (409) 350-0361.

90' 22' 8', CREW / SUPPLY Vessel, aluminum, resh COI, 36 passengers, triple detroit 12V-71 engines, clear dec 40' 22' dec cargo 15 long tons, 2,100 gallons o uel. \$150,000 USD, Teas. Telephone: (281) 635-7151 E-mail: marineone1st@yahoo.com

95' E-NAVY, PTF-26, Liberty. Vietnam War near-coastal gun boat. Aluminum hull. "The Last American PT Boat." Rio Vista, CA. \$165. (916) 715-0563 See: libertymaritime.org

NEED HELP PLACING A CLASSIFIED AD? Call us today! 1-931-484-6100 Or go online to www.boats-and-harbors.com

ALUMINUM CAB WORBOAT, 26' Weldbilt w/ push nees, tow bar and outboard protection bar, 225 HP, low hrs. Fully euipped and ready. Freshwater only. Trailer included. \$45 OBO. (901) 278-2161 E) rierportms@aol.com

CHESAPEAKE BAY BUILT Classic 110 passenger vessel. 65 LOA, 60 ton, two 6-71 Detroit, current COI. Business and / or boat for sale, ready to cruise this season. (240) 463-1510 www.WestRiverCruises.com

BOAT / TOUR / ECURSION, 52 LOA, 50 passenger (seated) plus crew, current COI, built 1994, 1500 HP Detroit Diesel power, ast un rides. \$249,000.00. Biloi, MS (228) 392-2200 For picture: tom@ennedyengine.com

CLASSIC WOOD Passenger Vessel. New COI or 169. Original stability letter or 224. Ecellent condition ready to wor. 65 t. Biloi Lugger design. Eperly rebuilt in 1985. 1-3/4 inch mahogany with stainless astners. Twin 8-71s. 10 W ubota. Appraised at \$350. Will consider trade or real estate. (228) 326-1668

E-USCG Fiberglass Motor sur boat. Price reduced, must sell, due to health. 353 GM Diesel. Fuel water separator, 120 hours, aluminum rame canopy, Rod holders. Double rame trailer, electric braes, winch, new 10 ply tires. \$19,000. (219) 395-1577.

GOOD STEEL BOATS made or wor, sel-bailing assist, utility and bridge construction boats. (508) 264-6863 www.americanworboat.com

SEA BREEE. Valid COI thru 2016. Alum. Crewboat, blt. 1978, 45 15 5.6'. Cert. or 44 pa, ON 602377. Twin 8V71's, 700 Hp, 13 W ohler Gen. \$250,000.00. Location: New Yor. Call oice or additional inormation:

1-888-MR-BARGE, (617) 984-0022 Mar@Sterlingeupment.com

FOR SALE: COMMERCIAL Tugs, barges, dredges, wor boats, passenger essels, erries, landing crat, air boats, hoercrat, anchors, propellers, winches, ship parts rom Great Laes reighters, marine diesel engines & transmissions, generators, marine antiues. Listings welcome. Scruton Marine Serices (519) 583-1636, Fa (519) 583-2189 www.scrutonmarine.com

HARER'S ISLAND FISHBOAT 50' 12' 4' no rig, ideal or trawler, 6-71 natural \$4,900 Darien, GA (518) 294-6181

MISS ATHIE. 40' 8" 13' 5" 4' 1", E CG boat, HP: 680, yr. blt.: '78, GT: 15 GRT, Cummins 909's rblt. 2013, eng. gen.: (2) 24V alts. on eng. \$225,000.00. Location: Staten Island, NY. Call oice or additional inormation:

1-888-MR-BARGE, (617) 984-0022 Mar@Sterlingeupment.com

NICE CREW / SUPPORT Vessel. Teas Gul Coast. (361) 220-1765.

PARTY FISHING BUSINESS For Sale. Same location or 26 years. 60t DMR ishing 50 anglers 1/2 day. Eening cruise 85 people. Ocean City, MD owners retiring \$230,000 OBO. Possible owner inancing. Call (386) 931-8368

★ BOAT DONATIONS WANTED

DID YOU NOW that your donation o a no longer needed car, boat, RV, truc, motorcycle or heay equipent can help Clearwater Marine Auarium to proide help in pre-sering our marine lie and enironment while inspiring the human spirit through leadership in education, research, rescue, rehabilitation, and release. Receie maim-um legal ta deductions and possibly a partial cash payment or ualied donations. Picup o ualied donations is always ree to donors anywhere in the nation. Call toll ree: (866) 244-8464 or isit: <http://seewinter.com/donate>

HAVING TROUBLE SELLING Your Boat? Consider donating to a non-profit organia-tion and receie a ta deduction. Maritime Academy is seeing donations or their Mid-Shipman programs. For more inormation, call (262) 938-2233. Or isit: www.WorldYachts.net

★ BOATS FOR SALE OR LEASE

220' OFFSHORE SUPPLY VESSEL, USCG certied and ABS class. Call or pictures and detailed specs. (415) 616-3472 tmonroe@atel.com

24' 7' BOTTOM (8.5' Beam) closed cabin crew / wor boat. Construction details: Bot-tom plating: 1/4 in. Side plating: 3/16 in. Dec plating: 3/16 in. Cocpit plating: 1/8 in. Transom plating: 1/4 in. Single or twin out-board motors can be transom or bracet mounted. \$44,900. (504) 415-5935 CClements@CMLABoats.com

★ BOATS FOR LEASE

CREWBOATS / SAFETY Boats for lease. Truckable aluminum crewboats 22' - 44', 6-15 pax, up to 40 knts., available bare-boat or w/ crew. Can deliver anywhere. Contact Kevin @ (410) 977-0028 Email: smithequipment@verizon.net

★ BOATS WANTED

LOOING TO EPAND Our Fleet, inter-ested in 200+ passenger essels. Contact Anthony (847) 815-4656.

PLACE YOUR CLASSIFIED TODAY! Call us at (931) 484-6100 or place order online www.boats-and-harbors.com

★ BOAT DELIVERIES

EPERIENCE AND RELIABILITY. Echo Yacht Delieri is an agency o mariners with arying sills and licenses. We delier yachts and commercial essels in the U.S., Canada, Meico and the Caribbean. Four-teen years in business. For an estimate call today (321) 514-5046 echoyachtdeliery.com

EPERENCED PROFESSIONAL, World-wide, licensed masters and crews. Bayront Marine, Inc. Mel or Diane Longo. (904) 824-8970 www.bayrontmarineinc.com

VESSEL DELIVERY and Management Ser-ices. Connecting you with the licensed masters and crews you need! Call Captain's Connections, Inc. (850) 890-0646 www.captainsconnections.com

HAVE MARINE PARTS YOU NEED to sell? Let Boats & Harbors help you! (931) 484-6100 or place your ad online at www.boats-and-harbors.com

★ PERMITS FOR SALE

2017 ALLOCATIONS Snapper, Rg, Gag, Swg, Dwg, and Tile available for sale. Also buying all shares, allocations, boats and permits. (813) 335-2155

CAN LOCATE ANY PERMIT, commercial or charter. 28, 33, 48 Passenger charter permits aailable now. (361) 356-1172 permits@greatsageinc.com

GULF OF MEICO Charter / Headboat ree ish and migratory pelagic permits. Both or \$25,000.00. ir (734) 709-8147

GULF OF MEICO Charter / Headboat ree ish and pelagic permits. Both or \$25,000. Florida lobster die permit, \$25,000. Chris (941) 270-2181 Email: porchisherman@gmail.com

★ PERMITS WANTED

FULL PERMIT SERVICES: Buy, sell, renew, tranfer, broer your ederal isheries per-mits. File no ish reports, essel documenta-tion, VMS actiation. Epired permit solu-tions. (361) 356-1172

I BUY AND SELL South Atlantic snapper / grouper, Gul ree, red snapper, shar, sword, ing mac, others. Dae (904) 708-0893, (904) 262-2869

★ PUSHBOATS FOR SALE

25FT. 9IN. LONG 16FT. WIDE, 600 HP twin screw pushboat, eye leel 20FT., 2,200 hours since new, or sale or charter. PH. (251) 599-5906

3,000 HP PUSHBOAT. MV Gladys Ford, \$1.79 million. (850) 255-5266 www.mbbroerage.net

IRONHEAD, 500 HP, 40' 14' 5', 20GT, built 1998, re-built 2012, ON: 1095072, (2) ohn Deere 6076 ALM with Twin Disc MG5091 2.95:1 gears. \$145,000. Call oice or additional inormation: 1-888-MR-BARGE, (617) 984-0022 Mar@Sterlingeupment.com

THIS BOAT Is In Ecellent Condition, we ust installed top steering station. 2 Suui 2013 4 stroe engines can push 50' barge no problem and ast, can do 35 plus mph by itsel. Boat is 25' by 10' by 2.5 deep. Only serious persons please. And is in water or a test run. Asing \$65,000 (609) 410-9195

TWO 2,000 HP PUSHBOATS For Sale. (850) 255-5266 cgonsoul@gmail.com www.mbbroerage.net

★ TUGBOATS FOR SALE

AY MICHAEL. 68 24 7', 98 GRT, built 1980, ON 630308, Twin Cat 3508's, 2200 hp, 2 40 W gensets, 37,000 gal. uel, Smatco single drum winch, complete elec-tronics. \$1,200,000.00. Location: Staten Is-land, NY. Call oice or additional inorma-tion: 1-888-MR-BARGE, (617) 984-0022 Mar@Sterlingeupment.com

45 FOOT MODEL BOW. 871 Detroit 318 HP single screw. ubota generator. A/C. Lie or wor aboard. USCG inspected. Recent sur-ey. Ecellent condition. \$115,000. (617) 694-3121 or daid@nehsbarges.com

'LEONA B' Model Bow 1972, Twin V12 149 DT. 1,450 hp, 30W & 40W. Towing ma-chine, 63 24 10, GT99. Great Laes. \$450,000 OBO. (414) 588-7784

CONTINUED ON PAGE 28

Landing Craft

Available for Charter

(2) LCM-8 - 74' x 21' x 4'
Capacity 50 Tons

(1) LCM-6, 56' x 14' x 3.5'
Capacity 25 Tons

All Equipped w/ Hydraulic Cranes
DAVE ALLAN • (207) 882-5400

PILOT HOUSES



- Custom Built
- No Minimum Qty
- Carbon
- Stainless
- Aluminum

Est. 1992
Lake Superior Cabs, Inc.
800-328-1823
www.lakesuperiorcabs.com

BOATS FOR SALE

FROM THE MARINE DIVISION OF CAT FINANCIAL

Check out the list at
www.cat.com/boats4sale

Financing is available worldwide for all types of commercial applications, including fishing vessels.

We provide terms, competitive rates and repayment plans as unique as each of our customers.

For additional information or to obtain an application:
e-mail: CatBoats4Sale@cat.com
phone: 615-341-8258
fax: 615-341-8588



Caterpillar Financial Services Corporation
2120 West End Avenue | Nashville, Tennessee 37203

Scully's Customized Boats



Up to 60' U.S.C.G. Certified Vessels



Various Sizes of Stock Boats Available
Phone: 1-866-238-8353 • Fax: 1-985-384-5146
1015 Stephenville Road • Morgan City, LA 70380
Email: info@scullyboats.com
www.scullyboats.com
Available On GSA Contract

AHOY PROPELLERS

QUALITY & PERFORMANCE THROUGH FLUID INNOVATION

2614 OAK DRIVE, HARVEY, LA 70058

504-367-5710

AHOYPROPELLERS.COM



TORKING

EXPERIENCE THE POWER OF TORQUE



BRONZE - NIBRAL - STAINLESS
SIZES 24 INCH AND UP



Phone: 504-367-5710

Fax: 504-367-5733

Vessels, Barges,
& Cranes For Sale



32' x 40' x 4' Sectional Spud Barge and Crane.



20' x 8' x 4' Truck-Able Push Boat, (1) GM 471, Flanking Rudder, Keel Cooled.



Dry Dock 220' x 70' x 6', Capacity 2800 Tons, Reported to be in excellent working condition.



New Shugart Compatible Sectional Barges. Call today for a quote, and lead time.

- (30) Crewboats 22' to 150'.....Starting at \$18,000
- (110) Inland and Ocean Deck Barges 30' to 400'.....Starting at \$15,000
- (31) Spud Barges 40' to 250'.....Starting at \$22,000
- (45) Inland & Ocean Hopper Barges 175' to 600'.....Starting at \$45,000
- (7) Landing Crafts 40' to 250'.....Starting at \$22,000
- (6) Travel Lifts 25 ton & Up.....Starting at \$25,000
- (29) Utility / Supply Vessels.....Starting at \$95,000
- (65) Pushboats 200hp & Up.....Starting at \$25,000
- (70) Model Bow Tugboats 200hp & Up.....Starting at \$65,000

New & Used Truckable Pushboats & Sectional Barges
Used Cranes and Draglines
OVER 600 ITEMS LISTED ON OUR WEBSITE

WWW.TMT-LLC.COM



Manufacturing Cost Effective, Polyurethane Foam for Flotation and Insulation in the Marine Industry (MIL-P-21929C Compliant).

Uses:

- Greatly extend the life of otherwise ready to retire barges, boats, docks, and more...
- Save tens of thousands of dollars over replacement or repair costs.
- Insulate spaces requiring efficient temperature control (i.e. living quarters, storage to prevent freezing or storage for cooling/freezing).

Installation:

- Our installers will come to you.
- We also offer do-it-yourself training and sell the necessary equipment for your business to install.

518-587-0285

www.bargerepair.com

TIER 3 VESSELS

Built To Your Specifications



Conventional House Design

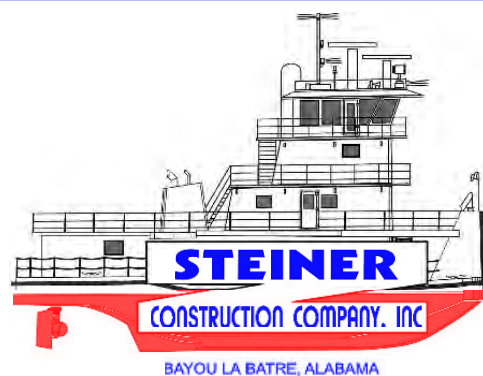


Retractable House Design

WE WILL BUILD TO YOUR DESIGN

3000 HP - 100' x 34'
Z-Drive -or- Conventional
Double Hull
Oil & Fuel Tanks

CAT 3512C 1500 HP Tier 3
Total Engine Set 3000 HP
 For Delivery After 1 January 2017
We Currently Own 4 Sets of Tier 3 3512C Engines



Steiner Construction Company, Inc.

(251) 824-2320

SteinerMarine@yahoo.com

SteinerMarine.com

Also available: 70' x 30' (2) C32 1000 HP each Z-Drive or Conventional
 Built To Subchapter M Requirements ◀▶ Vessel Delivery Spring 2017

STERLING EQUIPMENT

TUGBOATS FOR SALE

Tug "Jay Michael"
68' x 24' x 7'

MODEL BOW TUG FOR SALE



98 Gross Tons • Official Number: 630308
 Built 1980 - Gibson, LA • 2 CAT 3508 – (2200 HP)
 Twin Disc MG 540 Reverse Reduction Gear
 (2) John Deere 4045TFM75 • 65KW Generators
 Towing Winch • Smatco Winch • DPS44 • Cable Size: 1 1/8"
 36,700 Gal. Fuel Capacity • Location: New York
P.O.R - Price Reduced For Immediate Sale

Tug "Lynx"
73.5' x 25' x 9'

MODEL BOW TUG FOR SALE



119 Gross Tons • Official Number: 507788
 Built 1967 – Tacoma, WA • *Rebuilt - 1990
 (2) CAT D398 Engines – (1800 HP) • CAT 3192 reduction gear
 (2) John Deere 4045TFM75 – 65KW Generators
 24,000 Gallon Fuel Capacity • Quarters for 5 crew • Location: Quincy, MA
P.O.R - Price Reduced For Immediate Sale



Whether you have been working on the water for years or starting your first job, Sterling can provide the equipment and the expertise to get your project off the ground.

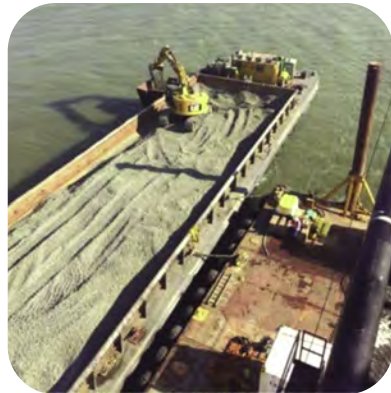
For More Information, Visit:
www.SterlingEquipment.com
 or call (888) MR-BARGE



CS Marine Constructors Inc.

CS MARINE CONSTRUCTORS, INC.
425 15TH Street Vallejo, CA 94592
WWW.CSMARINE.COM

Rental/Services: Mark@csmarine.com
Sales: Terry@csmarine.com
(707) 562-4100



Barges for Charter

Hopper Barge (3000 Ton)
Jackup Barge, Portable
Spud Barges
Deck Barges

Services

Dockside Mobilization
Floating Crane Service

Equipment for Rent

Anchors
Buoys
Fairleads
Ramps, Fenders
Concrete Buckets
Bardex Jacking System



For Sale - Tank Barge 35' x 174' @ \$325K



For Sale

Manitowoc 2900
Truck Crane @ \$15K

Marine Equipment Rentals

S-70 Flexi Floats & Accessories



Spud Barges
Jack Up Barges
Truckable Twin Screw Pushboats
Truckable Dinnys
Harbor Masters
Manitowoc Crawler Cranes
Construction Equipment For Sale



For Sale - Call For Pricing
2012 NPK GH-40
17,000 Ft/Lb
Hydraulic Hammer

Chris Jarvais
207 679 2359
cjarvais@cianbro.com

CIANBRO

CLOSING DATES • THIRD DECEMBER ISSUE

(To be mailed December 19th)

FOR DISPLAY December 14th
(9:00 A.M. C.S.T)

FOR CLASSIFIED December 16th
(1:00 P.M. C.S.T)



S H I P B U I L D I N G

116 Shipyard Rd, Freeport, FL 32439

Quality Construction Competitive Prices

Contact: Joe Heinz
(850) 835-4125

Aluminum Construction



Steel Construction



www.gulfstreamshipbuilding.com • Email: sales@gulfstreamshipbuilding.com

THINK AHEAD

AHEAD Sanitation Systems

NEW GENERATION TECHNOLOGY
Sanitation Systems, Products & Supplies



Ahead Tank Model AF-12T

- Compact
- Lightweight
- Corrosion Resistant
- Odor Free
- Simple Installation
- Easy Maintenance
- Customer Friendly
- Cost Effective

U.S.C.G. Certified Type II Marine Sanitation Device & L.M.O. Approved Sewage Treatment Plant

(337) 330-4407

headflusher@aheadtank.com

www.aheadsanitationsystems.com

FIBERGLASS SUPPLIES

Epoxy, Vinylester, Polyester
Gelcoats, Barrier Coats
FG Laminate Angle & Panels
Carbon Fiber, Kevlar
Fairing & Bonding Compounds
Marine Plywood, Core & More!

DURATEC Divinycell H
The High Performance Core

CARBON CORE
HONEYCOMB CORE

Technical Assistance
800-231-6537

www.lbifiberglass.com



Boats & Harbors

Maximize Your Profit - Minimize Your Cost!!
CLASSIFIEDSExperience
The Selling Power of The
Yellow Sheet!Place Your Ad (931) 484-8708 or Email: Tlewis@boats-and-harbors.com • Fax: (931) 456-2337 • Submit Online: www.boats-and-harbors.com

★ TUGBOATS FOR SALE

LYNX. MODEL BOW Tug, 73.5 x 25 x 9', 119 GRT, off. #: 507788. Bit. 1967, rblt. '90, Martinolich Shipbl., Tacoma WA. Twin screw open wheel. Cat D398 main engs. rated at 915 hp ea. Cat 3192 reduction gear at 5.31:1. Gens: 2 Cat D320, 50 KW ea.. Towing winch: Almond Johnson 320SS, 1450' of 1-1/2" wire. Bow winch: Foss conversion, 200' of 1-1/8" shipwire. Fuel: 10 Tanks, 24,000 gal. Water: 3 tanks, 3,000 gal. Quarters for 5 crew. Comp. elects inc. SSB, AIS, Furuno FR 811 Radar. \$800,000.00. Location in NY Harbor. Call office for additional information:
1-888-MR-BARGE, (617) 984-0022
Mark@Sterlingequipment.com

★ BARGES FOR SALE

110' x 34' 1943 STEEL Ex-Navy. Very good overall two-story electronics repair. Always clean, in & out. \$249,500. Seattle. (206) 225-3360
Details: www.PacificMarine.org
E-mail: david@pacificmarine.org

ALMOST NEW 40' x 24' x 3.5' sectional barge, 4-10' x 24' sections, 1/4" plate, used on one job, will load, \$55,000 for all. For info/pics (440) 339-4935.

SECTIONAL BARGES Built. Any truckable size. Portable pushboats. Madison Boat and Barge, Madison Indiana, (812) 265-6255.
www.madisonboatandbarge.com

SPUD BARGE 140 x 80 x 15' Ex-Navy barge. Located in Staten Island, NY. Call Bobby D at Sterling Equipment (617) 984-0022 for further details. Barge is ballasted with concrete counterweight and is suitable for a large crane.

TRUCKABLE BARGES & Pushboats built right. Can be pinned together to suit customers needs. Have been in the marine industry for over 20 years. Call Lucas at Eagle Hollow Marine (812) 273-9346.

★ BARGES FOR CHARTER

NEW 10K & 30K double-skin tank barges. Central Boat Rentals, Inc. (985) 384-8200
www.centralboat.com

SPUD, CRANE, HOPPER, material, car-floats, sectionals, oceangoing and inland. Services include floating crane, Brooklyn NY loading berth, transportation and project cargoes, marine construction support, etc. Equipment located throughout the east coast. Call or email us for a free quote: Hughes Marine Firms. (800) 357-7744 or info@hughesmarine.com
www.hughesmarine.com

★ BARGE FOR SALE OR CHARTER

FOR SALE BY OWNER: Deck barges, spud barges, material barges, hopper barges; 60' x 26' to 300' x 100'. ABS and inland barges. East Coast, Gulf Coast, upper rivers. (800) 227-4348

SECTIONAL BARGES, Deck barges, dump scows, hopper barges and spud barges. From 10' x 20' to 85' x 140'. Located on East Coast & NY Canal System. J-Way Leasing (440) 934-1020

YOU MAY HAVE THE MARINE item someone is looking for! List it in Boats & Harbors today! Call (931) 484-6100 or place your ad online at
www.boats-and-harbors.com

★ BARGES FOR RENT

SECTIONAL BARGES FOR RENT. Flexi-float 7' S-70 series and Rendrag 5'. Located in Central US (309) 925-2831
info@midwestfoundation.com

SECTIONAL BARGES RENTAL located in Florida, 40 x 10 x 5 & 60 x 11 x 4. Contact (305) 965-8852
Email: barge@bargerent.com

SECTIONAL BARGES. Located in Southern Calif. and can ship anywhere. Best prices. Contact (619) 533-7932
grant@pacifictugboats.com

★ BARGES FOR SALE OR LEASE

30,000 BBL DOUBLE SKIN tank barge for sale or lease. Less than 4 years old, asking \$2.65M. Please no brokers. Call (985) 384-8200

FOR SALE / LEASE: 140 x 40 9 ABS barge with covers. Deck tanks 2 (54 x 27 x 6). Central Boat Rentals (985) 384-8200

★ BARGES FOR LEASE

BARGES SIZED from 8' x 18' to 45' x 120'. Also "Shugart" sectional barges & small tugs. Smith Brothers, Inc. Galesville, Maryland 20765. (410) 867-1818.

CLASSED & UNCLASSED Flatdeck, Crane and Spud Barges from 24' x 12' x 4' to 160' x 54' x 8'. Norfolk Barge Co., Norfolk, Virginia. (757) 545-2414 ext 245

★ AMPHIBIOUS VEHICLES FOR SALE

1944 GMC DUKW 353, nearly complete, always fresh water, uncut, always stored inside, overdrive trans on prop, perfect for restoration. \$65,000. (248) 625-8300
colelakeservice@gmail.com

CLEAN OUT YOUR STORAGE TODAY! Sell it in Boats & Harbors! Call us today at (931) 484-6100 or place your ad online at www.boats-and-harbors.com

★ AMPHIBIOUS EXCAVATORS WANTED/FOR SALE

WANTED, AVAILABLE Marsh Buggies / Amphibious Excavators. We want to know about owners & users of these units. We will pay finders / fee rewards. Percy Ransome (888) 988-5747, (856) 797-6999.
www.longreachhighreach.com
percy.res@gmail.com

★ DREDGES FOR SALE

14" HYDRAULIC DREDGE, 800' float line, twin engine boat, Derrick barge, spud barge with 60 ton crane, \$900,000. Contact (504) 236-3999.

AAMCO DREDGE 12" CAT 3412 & 3306, diesel powered, 50' ladder, in excellent condition. Also rebuilt 12" booster available + 4000' SDR17, job ready. Call for details (215) 624-2221.

DREDGES FOR SALE, rent, lease, purchase. New, used, rebuilt. We can build to meet your needs or we can sell you one you can rebuild. From the smallest to the largest, call us first! We will save you money! If you need to sell a dredge, call us, we are also buyers. Western Dredge & Supply Co. (936) 273-3228 www.westerndredge.com

MUDCAT SP-810 AUGER dredge, \$22,000. Call for details (540) 492-3836.

WE SELL USED / Refurbished Dredges! Dredge Central, LLC is your best source for used cutter-suction dredges. Our team has more experience refurbishing and rebuilding used dredges than anyone else in the industry. We have dredges ranging in size from 8" to 14" or 16" in our inventory right now, with more on the way. And call us first for good used pumps, boosters, push boats and dredge parts of all kinds. We're buying dredges, too! Call Don King, James Morris, Larry Fleeman, Bobby Prince, or Rick King. Dredge Central, LLC - Goodlettsville, TN. (615) 859-3733
www.DredgeCentral.com

★ DREDGES FOR RENT

10" DREDGE FOR LEASE. 28' digging depth. Contact: (207) 233-9268

★ DREDGE EQUIPMENT FOR SALE

DREDGE EQUIPMENT - Booster pump for sale or lease 12" x 10" Cat 3406. 4,000' 12" SDR 17, 6,000' SDR 10", 12" ball joints. Call (440) 934-1020

McELROY ROLLING FUSION machine 412 (for Fusion dredge pipes), year 2000, price \$17,500. (305) 965-8852
Email: barge@bargerent.com

NEW 22" METSO Hydra-jet for sale. Call for price. (504) 737-1600

USED 12" HDPE SDR 17 Pipe, approx. 9,000 lf. Used 8" HDPE SDR 17 pipe, approx. 2,000 lf. Call for pricing. (207) 233-9268

★ DREDGE EQUIPMENT SALE OR LEASE

FOR LEASE OR SALE. 1980 KORI Marsh Buggie - GM Power. (440) 934-1020

★ DREDGING EQUIPMENT FOR RENT

FOR RENT 6" VMI Dredge with Pipeline. (440) 934-1020

★ DREDGE PIPE FOR SALE

10-INCH SDR 17 HDPE pipe available, 6,000 LF or more, in Central Florida, price per foot \$6.00 LF. Contact George (305) 965-8852
Email: barge@bargerent.com

★ ENGINES FOR SALE

(1) MTU 8V-396TB93, only 1,550 hours, (1) MTU 8V-396TB93 marine engine for parts, CAT 3208 210-435 HP rebuilt marine engines, CAT 3116 & CAT 3126 rebuilds with warranty. Call (954) 327-1100.
www.goldcoastpower.com

(2) 2002 MAN V-12 1550 HP, 1 running take out, 1 blown, no gears, D 2842-LE409, \$35,000 pair. (772) 475-8900

(2) 3116TA CAT 300 HP rebuilt. (2) 3208TA 355 HP with gears. Call Mike Cobb @ Key Power (888) 463-0099.
kpsi1@msn.com

(2) 6V92 TIB 500 HP twin turbo running take outs. 300 hours port, 1630 hours starboard with 5081 Twin Disc, 2-1 gears. Heat exchangers just serviced comes with spare turbo and floscan. \$30,000.00 for all (732) 492-8340.

(2) DETROIT V1271TI, 650 HP with ZF gears for sale. Also including newer Mathers electronic controls. One overhauled April 2010, and one this year. Running engines in passenger vessel were just removed in December. Price reduced \$27K for everything. (727) 410-1000

(2) LUGGER 6125 w/ ZF 320A, 2:1 gears, strong engines in vessel till Dec. will demo, many spares. (850) 934-1743 or (850) 565-0586
hogwildfishing@gmail.com

(3) V1271 N/A W514C 2:1 Twin Disc RTO, \$12K ea. (2) 514B 4.5. (1) 514B 5.16. (2) V2171 N/A core, \$5K ea. (2) Hyd Pw unit 3-71. (1) 855 head and turbo rebuilt. (1) 4.5 509 Twin Disc. Ph. (504) 657-9015 or (504) 912-1698

CUMMINS QSB 380 HP. (831) 633-1345
Email: haipdiesel@yahoo.com

(1) DETROIT 6V-92TAB, running take out, bobtail, \$6,500.00. (2) Detroit 6V-53 cores, \$3,200.00 pair. (2) Detroit 8V92TI, with Allison gears, 1.5 running take outs, \$29,500.00 pair. (2) Detroit 6-71 N, take outs, \$4,000.00 pair. (2) Detroit 16V 92TA for parts. (2) Cummins 6BTA 330 HP bobtail, rebuilt, \$17,500.00 each. Cummins 903 parts. (2) MAN 1300 HP, running take outs with Twin Disc MG5145 gears 1.75:1, \$65,000.00 pair. Florida Marine Tech (561) 844-7007

1 PAIR CRUSADERS 454, 1.5 gears, low time, equipped with Vertex Mags. Price \$5,000.00 FOB. Atlantic Highlands, NJ 07716. (732) 291-0050

2 CATERPILLAR 3208, 375 hp with Twin Disc 1.72:1; 940 hours RTO, includes 8.0 kW Onan genset; 743 hours. \$14,000.00 for all. Dave Sr. (954) 927-6500

ADVERTISING WITH US is easy as 1, 2, 3. Give us a call! (931) 484-6100 or see us on the web at
www.boats-and-harbors.com
to place display or classified ad.

CUMMINS QSB 425 HP. (831) 633-1345
Email: haipdiesel@yahoo.com

2 DETROIT DIESEL 471 turbocharged inter-cooled 310 HP with 506 Twin Disc 197 gear ratio. Running take out. Will separate. \$4,500. (360) 359-8247 or
mikeennes.me@gmail.com

CATERPILLAR REBUILT Marine engines: All models: 3116's, 3126's, 3208's, 3196's 3412's OEM parts and warranty. (781) 837-5424
twindiscgears@verizon.net

2 DETROIT V1292 TI 1100 HP - model 81227800 w/ Twin Disc - model DD232EV, 1.75, includes gear & trolling box actuators / wire harness, repower removals, approx. 2000 hr. on rebuilds. May separate gear boxes. \$28,000 / pair. Call (772) 475-4904.

2 x CAT 3512C, 1,400 HP. Call for details (978) 767-3489.

3208 N/A - bored, sleeved total rebuild. 3208T 320 HP. Strong RTO, checked by CAT mechanic. Have 2-1 gear for either. Dave (904) 262-2869, (904) 708-0893

4 - 371 GM ENGINES, \$1,000. Call George @ (239) 229-0196 or
Email: triccogg@aol.com

50 HP YANMAR DIESEL freshwater only + freshwater cooling, with trans shaft and prop out of 42' J boat 90's? (518) 570-5848
srinc65@gmail.com

D334 WITH MG509 transmission. (831) 633-1345
Email: haipdiesel@yahoo.com

FORD LEHMANS 2715 E, excellent runner 200 hours 2714 E, excellent runner, Velvet Drive trans. Price reduced. Zach (330) 808-1321.

3208T WITH ZF transmission 2.5:1. (831) 633-1345
Email: haipdiesel@yahoo.com

YOUR AD LOOKS GOOD IN PRINT! Whether it is Boats For Sale, Engines For Sale, Gears For Sale or a Wanted Ad your advertising can be more effective by placing your vessels and equipment with us! Call Now: 931-484-6100 or
Email: tlewis@boats-and-harbors.com

CUMMINS 6BTA 230 HP. (831) 633-1345
Email: haipdiesel@yahoo.com

CUMMINS NEW MARINE long blocks. Cummins new 6BT5.9 Marine Diamond series long block 280-370 HP in-line pump. CPL's 1975, through 8457. Cummins new 6BT5.9 marine long block 250-300 HP Nippondenso pump. CPL's 953, through 1928. (901) 833-1347

DETROIT 6-110 with Allison gear. Runs good, was used to power a winch on railway. \$3,000.00. Call (904) 757-0407.

DETROIT DIESEL ENGINE 6V92 FWC Marine Applications Starboard. Came out of a Fire Rescue Vessel. \$5,000. (619) 787-7075

3208N WITH ZF transmission 2.5:1. (831) 633-1345
Email: haipdiesel@yahoo.com

EIGHT (8) NEW CATERPILLAR C8.7 650 MHP, tier 3 recreational compliant, 2300 RPM, "E" rating, \$46,500 each. Call Ring Power: Lyndon Schultz (904) 494-1278 or Victor Flores (904) 494-7311.

2 REBUILT CAT 3412 DITA marine engines, 720 HP @ 1800 RPM. Call (978) 767-3489.

FOR SALE (2) 4045DFM70 - 45 kW generators, running take outs, 1 Marathon End, 1 Magna Plus, end keel cooled set up. Located in NC. For info, call (252) 241-2649.

FORD LEHMANS For Sale 2715 E, runs great 200 hours 2714 E, runs great Velvet Drive transmission. Price reduced! Call Zach (330) 808-1321.

DETROIT DIESEL ENGINES & parts available. (831) 633-1345
Email: haipdiesel@yahoo.com

SIX (6) NEW CATERPILLAR C7 320 MHP non tier compliant engines, for export only, \$18,500 each. Call Ring Power: Lyndon Schultz (904) 494-1278 or Victor Flores (904) 494-7311.

16V71 DETROIT DIESEL. (831) 633-1345
Email: haipdiesel@yahoo.com

12V92T. (831) 633-1345
Email: haipdiesel@yahoo.com

CONTINUED ON PAGE 30

Dames Point Workboats • Jacksonville, FL
 (904) 757-0407 • www.damespointworkboats.com



Trapezoidal Dock Fenders **10' x 2' x 27 3/4"**
 For Sale **Complete width weldments**
 15 Available - \$550 Each



Modular Plastic Pontoons

The Best Idea Since the Indian Canoe

36 and 24-inch Diameter Sizes



The Alley Cat "Pilot House"
 Triple Tube 24" DIA

NEW 36" DIA MODULES

Bow Module (36")



Middle Module (36")



Stern Module (36")



Wilson pontoons are used for pontoon boats, houseboats, barges, bridges, work boats, party boats, pumping stations—they're perfect for any application that uses pontoons. Features include:

- Molded from sturdy, medium density polyethylene (MDPE)
- **Heavy-duty:** modules have 1/4" - 3/8" thick walls and are filled with closed cell polyurethane foam for greater structural stability—Wilson pontoons will withstand greater impact than aluminum pontoons
- **Modular:** separate bow, middle, and stern modules allow for configurations of the most popular application sizes
- Rectangular collar has threaded stainless 3/8" molded inserts for quick attachment
- **Maintenance free:** no bottom painting is needed—just pressure-wash to clean
- UV protected



2869 Charlevoix St.
 The Villages, FL 32163
 419-675-0002
 toll free: 877-456-2531
 email: info@wilsonpontoons.com

www.plasticpontoon.com

BOATS & HARBORS

is **"THE"** MARKET PLACE

FOR THE

MARINE INDUSTRY

Kubota

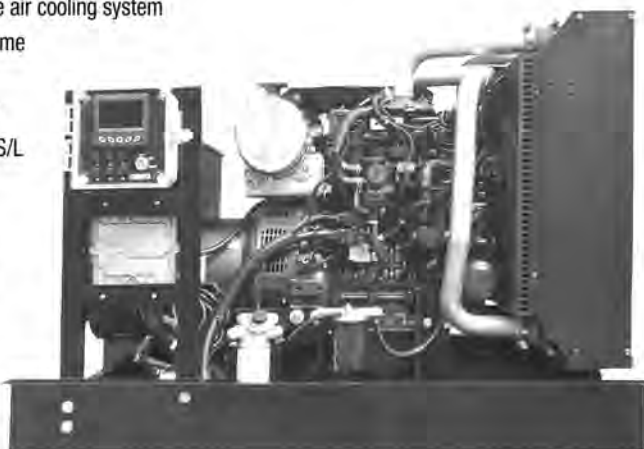
Tier 4 Final Kubota Powered Industrial Diesel Generators

1800 RPM Standard Equipment:

- Kubota Tier 4 Final Diesel Engine
- Epoxy-coated, brushless 1800 rpm generator
- 12VDC starting and charging system
- Murphy starting and monitoring system
- DOC-only aftertreatment
- Fuel filtration system
- Fuel priming system with transfer pump
- High ambient charge air cooling system
- Heavy-duty steel frame
- Vibration isolators
- Dry-type air cleaner
- Industrial muffler – S/L
- Solid state AVR

Southeastern Power Products is the **Authorized KUBOTA Industrial Engine Distributor for the state of Florida, the Bahamas and the Caribbean.**

Supplying genuine Kubota parts and factory remanufactured components.



20 kW – \$14,480
 Kubota D1803BGCR

30 kW – \$15,730
 Kubota V2403BGCR

Optional Equipment:

- Enclosures
- Fuel tanks
- Auto start/stop
- Transfer switches
- Circuit breakers
- Critical silencers
- Battery, rack, cables

SOUTHEASTERN POWER PRODUCTS

2880 Hammondville Road Pompano Beach, FL 33069
 Phone: (954) 979-5899
 Fax: (954) 979-4349

www.southeasternpower.com



McDermott Light & Signal

Our LED Floodlights provide durability with a low amperage draw that maintains the lifespan of your alternator. Avoid Damaging your charging system by replacing your high power consumption halogen with our green, low-energy consumption LED lights.



30 Watt



10 Watt



50 Watt



100 Watt



140 Watt

*Most models available in Spot or Flood type



BARGE LIGHTS



TUGBOAT NAVIGATION LIGHTS



BUOYS



DREDGE LIGHTS



SOLAR ANCHOR LIGHTS



McDermott Light & Signal

718.456.3606 - www.mcdermottlight.com

fishing@mcdermottlight.com



PACIFIC BOATS

PO Box 1249, Marysville, WA 98270
 (360) 658-7111

www.pacificskiffs.com • sales@pacificboats.com

HEAVY PLATE ALLOY - ALL WELDED ALUMINUM BOATS

Hull Sizes 19' to 33' Used In:

Law Enforcement • Search & Rescue • Fire Fighting • Diving
 Charter • Fisheries • Harbor Masters • Research
 Oil CleanUp!

Skiffs



Charter



Seaharvest 28' x 15'



PumpOut Models



Always wear a personal flotation device and read your owner's manual.
 © 2016 American Honda Motor Co., Inc.

- Welded in Self-bailing Deck ○ 1/4" Bottom Plate
- Fuel Efficient ○ Dependable
- Trailer-able ○ Low Maintenance
- Premium Quality ○ Custom Features

GSA Contract #GS07F0004J

Boats & Harbors

Maximize Your Profit - Minimize Your Cost!!
CLASSIFIEDSExperience
The Selling Power of The
Yellow Sheet!Place Your Ad (931) 484-8708 or Email: Tlewis@boats-and-harbors.com • Fax: (931) 456-2337 • Submit Online: www.boats-and-harbors.com

★ ENGINES FOR SALE

KEY POWER SYSTEMS DDC/MTU, CAT, Cummins. Surplus new, used, rebuilt. Many models avail. Your source for all your engine needs. Many So. Fla. yacht repower removals. ZF Twin Disc & Allison gears avail. Contact Mike Cobb TL Free (888) 463-0099.

E-mail: kpsi1@msn.com
keypowersystems.us

4.71 100KW. (831) 633-1345
Email: haipdiesel@yahoo.com

DETROIT DIESEL 12V149T parts. (831) 633-1345
Email: haipdiesel@yahoo.com

PAIR CUMMINS 6BTA 300 HP ZF220A 1.5 troll, 450 hours from new. Pair 3406 DITA 402 HP & rebuilt 3208TA 435 HP. Call (781) 837-5424.

PAIR OF DETROIT, 12/92 TI, HE cooled, RTOs. Call for details. Price for pair \$14,000.00. Phone (978) 767-3489

DETROIT DIESEL 16V149N. (831) 633-1345
Email: haipdiesel@yahoo.com

ENHANCE YOUR BUSINESS! Buy and Sell Anything Connected to the Commercial Marine Industry Using Our Time Proven Print Edition and the Power of the Internet! Call Now: 931-484-6100 or Email:

gdonnelly@boats-and-harbors.com

CUMMINS 6BTA 315 HP marine engine rebuilt. (831) 633-1345
Email: haipdiesel@yahoo.com

REBUILT DETROIT DIESEL Engines - 4-71's, 6-71's, 8-71's, 8V92's, 12V71's. Marine, industrial or automotive. Power units. Also Allison or Twin Disc marine gears. A complete line of Cummins parts and engines. We are authorized Detroit and Cummins "Dealers". For more information contact Johnson's Diesel Service, Inc., at (228) 392-1311 or 12262 Parker Creek Road, Biloxi, MS 39532. Fax number (228) 392-0096. Special discounts for large quantity orders. We have a full inventory of rebuilt engines ready for delivery.

SCANIA 675 D11244m, 1,023 hours, motor in excellent mechanical and running condition. Comes with all gauges and controls. ken@whitewaterboats.com

CUMMINS 6BT 210 HP marine. (831) 633-1345
Email: haipdiesel@yahoo.com

TWO (2) CATERPILLAR C32 marine engines. 1,800 HP, heat exchanger cooled, throttle position sensor, Ring Power warranty, \$118,600 each. Call Ring Power: Lyndon Schultz (904) 494-1278 or Victor Flores (904) 494-7311.

VOLVO KAD44, 260 HP, 1,200 hours, runs perfectly, video available, great deal on like new engine, \$9,000. Call (410) 726-6792.

VOLVO PENTA TDM31L-A 100hp. Runner plus parts engine. 5K hours. \$2,500 OBO. All offers considered. Annapolis, MD. Call for details. (850) 443-0262

VOLVO TAMD 72A, two running takeouts, as well as new and used parts. For info and pricing, call (305) 360-1360.

CUMMINS 6BTA 370 HP. (831) 633-1345
Email: haipdiesel@yahoo.com

DETROIT DIESEL 8V92TI. (831) 633-1345
Email: haipdiesel@yahoo.com

YANMAR 15 HP marine diesel with gear and engine panel, electric & hand crank start. Ex sailboat, runs very good. Price delivered in US \$28,000. Call (978) 767-3489.

★ ENGINES WANTED

ALWAYS BUYING Caterpillar, Cummins and Detroit Diesel engines any condition. Matt / Randy (307) 885-4724.

DET., CAT., CUMM., Always buying complete engines or good cores. Large export demand. Call Mike Cobb @ Key Power Sys. (888) 463-0099 or Fax (954) 927-6621. kpsi1@msn.com

WANTED: ALL CAT Engines and gen sets, especially marine 3408 & 3412 and industrial & gen set, 3406, 3408, 3412, 3512 and 3516. Also, natural gas Cat & Waukesha. We pay top \$. Kris Davenport phone (602) 333-5619 or fax (602) 333-5618.

★ ENGINE PARTS FOR SALE

100 AMP ELECTRODYNE ALTERNATOR, \$200. Call George (239) 229-0196 or [Email: tricogg@aol.com](mailto:tricogg@aol.com)

DIESEL ENGINE PARTS, Alco 539, 244, 251, Fairbanks, Cleveland, G.E., many others. Vintage 1940's, 1950's, 1960's, etc... Striegel Supply Inc. (425) 423-9100 ssiwa@frontier.com

CUMMINS DIESEL Parts - Used, rebuilt, new VT8370M, V8300M, V903M, V555M. Phone: (954) 321-6863

CATERPILLAR PARTS. OEM and Aftermarket. No exporting of OEM. Contact us at D&R Parts (504) 554-0548.

NEW AND USED Detroit Diesel Engine Parts, S53, 71, 92 and S60, heads, blower, blocks, cylinder kits, injectors, manifolds, raw water pumps, fresh water pumps, fuel pumps, intake silencers and much more. Leid Diesel Service, 2952 West Carson City Road, Sheridan MI. 48884, (616) 754-5871, Fax (616) 754-8359, [Email: timothy@leiddiesel.net](mailto:timothy@leiddiesel.net)

PERKINS PARTS: NEW, refurbished, used. Heads, cranks, rods, blocks, overhaul kits, etc. etc. Lots of hard to find parts for the older range of marine engines. We buy Perkins Marine Cores. Tel: (804) 642-9296 [Email: tadinc@earthlink.net](mailto:tadinc@earthlink.net)
Web: www.TAD123.com

PTO FOR CUMMINS, off K19, \$500. Call George @ (239) 229-0196 or [Email: tricogg@aol.com](mailto:tricogg@aol.com)

TURBOCHARGERS!!! One Year warranty. Cat, Cummins, Yanmar, Perkins, Det. Diesel, Volvo, MTU, ABB, MAN, EMD. Int. Sales & Service. KKK, Rajay. (305) 743-2920 ramturbo@bellsouth.net

★ HEAT EXCHANGERS FOR SALE

ALFA LAVAL Heat Exchanger, engine oil compact preheater, shell & tube type, model MX10, 7.75 sq ft heating surface, new. (208) 725-5781 sales@uscombustion.com

★ GEARS FOR SALE

(1) BW255 1.5:1 & (1) BW255 2.46:1 gear box, (1) CAT 7271 4.5:1 marine gear, (2) BW256P 5.318:1 & (2) BW195 V-drive 2.44:1 ratios, (4) BW195 marine ZF gears w/ various ratios, (2) Twin Disc MG514 2.1 and 1.5:1 gears, (2) MGN332 15:1 & MG5114 1.7:1 gears. Call (954) 523-7007 www.goldcoastpower.com

REBUILT TWIN DISC MG502-540's. All models and ratio's. MG 527, 5.17:1's. Used parts & gears. (781) 837-5424 [Email: twindiscgears@verizon.net](mailto:twindiscgears@verizon.net)

(2) GOOD USED ZF HSW 800IV 1.64:1 ratio. Removed as part of repower and installed higher HP engines. \$4,000 for the pair. (774) 992-0059

YOU MAY HAVE THE MARINE item someone is looking for! List it in Boats & Harbors today! Call (931) 484-6100 or place your ad online at www.boats-and-harbors.com

(2) ZF 301C SAE 3, ratio 1.407, 0 hours but need rebuild, got wet. Call (508) 737-5900.

(4) ZF BW 1,200 H22, 1.25 ratio, (2) left, (2) right, 3,000 HP, \$27,500 for all. (443) 752-3327

2 V DRIVE DD-5112AC, ratio 1.52.1 Twin Disc, never used. Frank at (727) 742-4041

VELVET DRIVE By Borg-Warner, Hurth, Capitol, Paragon, Twin Disc, Newage, Walter, Crusader V-drives, BPM, PCM & ZF, large inventory of new & rebuilt units. Complete repair facility with factory trained technicians! Transmission Marine, Inc. (800) 462-8848 ext. 427 [Visit: www.marinegears.com](http://www.marinegears.com)

(2) ZF 550A, 1.75, #1 housing \$9,500.00 each. (1) ZF BW165, rebuilt with warranty, 1.5 #1 housing, trolling valve, \$5,900.00 OBO. (1) ZF BW165 take out 1.5, #1 housing, \$4,600.00. (2) ZF BW 195A, 1.75 T.V., #1 housing, \$9,500.00. (2) ZF BW 195, 1.5, #1 housing, \$6,500.00 each. (2) Twin Disc MGNV 232 E, 1.5 #1 housing, trolling valves, \$5,900.00 each. (1) Twin Disc MG-506, 2:1, #3 housing, \$2,500.00. (2) Twin Disc MG 509-1, 2.0 #2 housing, \$4,750.00 each. (1) Twin Disc MGX 6599A, 2.48 #1 housing, \$16,000.00. (1) Twin Disc 5111A, 2.1, #2 housing rebuilt, \$6,500.00. (2) Twin Disc MG 5111, 1.74:1, #2 housing, trolling valves, \$9,500.00 pair. (2) Twin Disc MG 510A, #2 housing, 1.5, \$8,000.00 pair. (1) Allison M20L, \$2,500.00. (1) Borg Warner Velvet Drive, rebuilt 1:1, \$1,200.00. (1) Capitol 25,000, 2:1, \$7,500.00. (1) Capitol 24,000, 2:1, \$6,500.00. (2) Capitol 10,200, 1:5, \$2,500.00. Florida Marine Tech (561) 844-7007

TWIN DISC GEARS: New, surplus, rebuilt. OEM warranty, all models, dealer pricing. (781) 837-5424 [Email: twindiscgears@verizon.net](mailto:twindiscgears@verizon.net)

CALL FOR BEST PRICING on ZF, Twin Disc, Allison, and Capitol marine gears, new, used, or rebuilt. Contact: Mike Cobb @ Key Power Systems (888) 463-0099, Fax (954) 927-6621 kpsi1@msn.com

CAPITOL MARINE GEARS and parts, HY22000, 4HE10200, 4HE12400. All models. (954) 321-6863

TWIN DISC MG521 4:1. (831) 633-1345
Email: haipdiesel@yahoo.com

CAPITOL MARINE GEARS, M105, 2 each, 1.536 to 1 with trolling valves, good running takeouts from 6-71TIB, #2 housing, low hours, \$1,950 each OBO. Call Randy Lyle at (262) 818-4541 randyhlyle@gmail.com

TWIN DISC MG514B 6:1. (831) 633-1345
Email: haipdiesel@yahoo.com

OPPORTUNITY KNOCKS: Advertising your vessels or equipment in Boats and Harbors will put your business ahead of the game! With Both Print and Online Editions Boats and Harbors can place your classified ad in front of thousands of loyal buyers. Call Now 931-484-6100 or [Email: tewis@boats-and-harbors.com](mailto:tewis@boats-and-harbors.com)

TWIN DISC MG514B 5:1. (831) 633-1345
Email: haipdiesel@yahoo.com

MARINE GEAR BOX, 1 new surplus ZF IRM 220A, ratio 1.235:1, with drive plate. Price \$2,200.00. Call if you need other gears. Phone (978) 767-3489

TWIN DISC MG5091 3.38:1. (831) 633-1345
Email: haipdiesel@yahoo.com

MG 530, 6 to 1 ratio, rebuilt for sale. Call about special Twin Disc discounts. (504) 347-4361

TWIN DISC MG512 2:1. (831) 633-1345
Email: haipdiesel@yahoo.com

NEW ZF-HURTH, Twin Disc, PRM. Specializing in Velvet Drive, new & rebuilt exchange. We buy used Velvet Drives. Tel: (804) 642-9296 [Email: tadinc@earthlink.net](mailto:tadinc@earthlink.net)
Web: www.TAD123.com

TWIN DISC MG509 3.83:1. (831) 633-1345
Email: haipdiesel@yahoo.com

TWIN DISC direct replacement gears: MG 509, MG514, MG516, MG5170 MG5135, MG5222 & others at half the cost. C & B pad LPTO drives. Trolling valves. Full factory warranty. Call (781) 837-5424 or [Email: twindiscgears@verizon.net](mailto:twindiscgears@verizon.net)

TWIN DISC 5509 2:1. (831) 633-1345
Email: haipdiesel@yahoo.com

RMI services.com (504) 347-4361 New Orleans, LA. Twin Disc: all torque converters CF 10,000 Series; gears (MG509, 512, 514, 520, 521, 527, 540) all ratio, exchange or outright! Free tear down with itemized rebuild quote, don't be fooled by half rebuilders.

TWIN DISC MG509 1.5:1. (831) 633-1345
Email: haipdiesel@yahoo.com

TWIN DISC (1) MG540 6:1 (2) MG509 2:1 (2) MG506 3:1 (1) MG509 4.5:1. Other gears on request. Part sales and service. Robert (409) 256-6066, Robby (409) 682-5118

TWIN DISC MARINE Gear MGX5600 4.03:1 ratio. Call for price. (504) 737-1600

TWIN DISC & ZF, new or rebuilt, all models, OEM warranty. Torsional couplings and coolers. (781) 837-5424 [Email: twindiscgears@verizon.net](mailto:twindiscgears@verizon.net)

ZF280A 2:1. (831) 633-1345
Email: haipdiesel@yahoo.com

ZF220A 2.5:1. (831) 633-1345
Email: haipdiesel@yahoo.com

A PICTURE IS WORTH a thousand words! Run a display ad today! (931) 484-6100 or You can place your ad at www.boats-and-harbors.com

ZF GEARS For Sale, new surplus, ZF1960, ratio 4.462:1A, excellent condition in original crates, \$18,900 for pair. [Email: surplusmarine22@gmail.com](mailto:surplusmarine22@gmail.com)

ZF63A 2:1. (831) 633-1345
Email: haipdiesel@yahoo.com

TWIN DISC MG5091 1.74:1. (831) 633-1345
Email: haipdiesel@yahoo.com

★ GEAR PARTS FOR SALE

ALLGIRE FOR SALE. Parts and service on Allgire boat drive units. Call for pricing. (337) 334-5117 or [E-mail: marvinsengine@bellsouth.net](mailto:E-mail:marvinsengine@bellsouth.net)

LARGE INVENTORY of new, used, obsolete & rebuilt transmission parts & related accessories, stocking: dampers, couplings, oil coolers, heat exchangers, suresdrives, & Globe impellers, mounts & drivesavers. Up to 50% off on used items. Transmission Marine, Inc. (800) 462-8848 ext. 435 [Visit: www.marinegears.com](http://www.marinegears.com)

TWIN DISC PARTS, transmissions, PTO's, torsional couplings, coolers. (781) 837-5424 [Email: twindiscgears@verizon.net](mailto:twindiscgears@verizon.net)

★ GENERATORS FOR SALE

NEW REPLACEMENT MARATHON Generator ends in stock, all sizes. Call Ring Power Cat: Lyndon Schultz (904) 494-1278, Victor Flores (904) 494-7311

(1) ONAN 6500 RV gas unit, 2,800 hours, \$1,600.00. (1) Onan MDKBF 27.5, 24 volt, \$9,800.00. (2) Onan MDKBR 21.5, 24 volt, \$9,300.00 each. (1) Kilo Pak 27 KW, \$6,500.00. (1) Kilo Pak 27 KW, running takeouts, \$6,900.00. Florida Marine Tech (561) 844-7007

LOW HOUR QUALITY Pre-owned CAT diesel generator sets and other. Call Ring Power Cat: Lyndon Schultz (904) 494-1278, Victor Flores (904) 494-7311

2 JOHN DEERE 60 KW marine generators, keel cooled, good RTOs. Price each \$6,000.00. Phone (978) 767-3489

ONE (1) PRE-OWNED CATERPILLAR 29 kW, C2.2 Marine Genset, 240V phase 1, elec governor, heat exchanger cooled, \$6,500. Call Ring Power: Lyndon Schultz (904) 494-1278 or Victor Flores (904) 494-7311.

3304 DIT 105kW marine genset. (831) 633-1345
Email: haipdiesel@yahoo.com

90 KW GEN SET, has 1,700 hours. It has a heat exchanger, preluber and water heating system. The engine is an Allis Chalmers 3500, runs at 1,800 RPM. This unit is ready to go. I want \$8,000.00 for it. I live in Oregon. (541) 404-5178

GENERATOR BOX & TRAILER, \$500. Call George @ (239) 229-0196 or [Email: tricogg@aol.com](mailto:tricogg@aol.com)

CONTINUED ON PAGE 32



MARINE EXHAUST SYSTEMS
OF ALABAMA INC.



Silicon 90's, 45's, Bellows, Humps, Hose, Clamps, Connectors, Mufflers
Silencers, Fittings
Exhaust Manifolds,
Marinizing Kits,
Heat Exchangers,
Turbos, Crossovers,
Risers, Custom Ells,
Pumps, Duplications,
Prototyping and more.



Please call for Pricing 1-251-928-1234 ask for Mark <http://www.mesamarine.com>

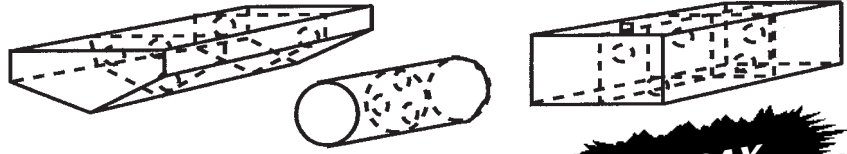
MARINE FUEL TANKS

www.speedytanks.com

ANY SIZE - ANY SHAPE

ALUMINUM TANKS FOR GAS OR DIESEL

TESTED & BUILT TO U.S.C.G. SPEC.



UPS DAILY

**5 DAY
TURNAROUND**

ATLANTIC COASTAL WELDING INC.

[800] 434-TANK (8265)

OR FAX A DRAWING 1-732-269-7992

24 VOLTS FROM 12

Volt in	Amp in	Vout	Aout	\$
12	100	24	85	98
12	200	24	500	285

Charge 24 volt battery from 12 volts.
DC to DC. For 24 volt winch, windlass, bow
thruster, hydraulic or water pump, hoist,
trolling motor, inverter, compressor.

Over 99% efficient at full load.

Trollbridge 24 and 2400 on Sale at

www.yandina.com

Phone (877) 355-2184



46' 1988 Trojan Int'l 14 Meter Conv.
Twin 750 hp wet turbo diesels 900 orig. hrs., 12.5
Onan 1600 hrs., 16' 3" beam 2 SR 2 head layout

Health Forces Sale

Make All Offers

(813) 641-8886

valbelle@tampabay.rr.com

CLOSING DATES • THIRD DECEMBER ISSUE

(To be mailed December 19th)

FOR DISPLAY December 14th
(9:00 A.M. C.S.T)

FOR CLASSIFIED December 16th
(1:00 P.M. C.S.T)

Often Imitated, Never Duplicated

EXPERIENCE ...

70 years evidenced in over
1700 vessels designed and built.

THE VERSATILITY ...

As exemplified in
Breux's Bay Craft, Inc. constructed
crew boats, excursion vessels,
catamaran, pilot vessels,
motoryachts, and passenger vessels
in use around the world.

AND QUALITY ...

The fairest of ALUMINUM hulls,
CUSTOM BUILT to meet any type
of service required.



Founded by Roy Breux, Sr. in 1946



Contact Roy Breux, Jr. or Hub Allums

(337) 229-4246

P.O. Box 370, Loreauville, LA 70552



50 Ton Grove RT75S (SN 32054)

Detroit diesel 4x4 rough terrain. 110' main boom,
30' Jib, good rubber. Auxiliary winch, block and ball.
All hydraulic cylinder recently rebuilt by Grove dealer
(Shawmut Equipment cost over \$30g).
In great condition.

\$73,000.00 • Call Ron (508) 958-2590



1999 Cape Island Novi Cruiser

32' L x 12' W. Fiberglass, 4.8 depth, 4 blade
prop, repowered '09 Cummins 6BTA, 292
hours, hydraulic PTO, inverter, auto pilot,
depth meter, fish finder, Honda generator,
rooftop AC, enclosed head, galley, 4 bunks.
Price \$45,000.00

Call Mark (910) 520-5298



50' x 17.5' FIBERGLASS SHRIMP BOAT

855 Cummins, 400 HP, 1,600 G Fuel Tank, Kort Nozzles,
9 KW Generator, Double-Drum McElroy 518 Winch,
Radar, Auto-Pilot, Many Upgrades. Savannah, GA.

\$69,000 OBO • (912) 844-2820

Barges For Sale

30 x 90 Deck Barge - \$110,000

35 x 110 Deck Barge - \$110,000

Various Smaller Barges

(Like Shugart) Various Prices

Boats: 62' Breux Crew Boat, Twin V12's,
Recent Haul And Bottom Service.....\$149,000

Push Boat: 25' Progressive, Twin John Deere
6081 Engines.....\$185,000

Motor Lifeboat: 26' X Navy Perkins 4108
Diesel, Velvet Drive Trans.....\$8,800

Engines: 2 Detroit 12V71's.....\$24,000

For Pair - Will Separate

4 Cyl. Detroit - With Marine Conversion, Less
Trans, Totally Rebuilt, May Need Blower,
Rebuilt, Engine Has Been Sitting.....\$2,000

Or BRO

35' X USCG - Ports And Waterways Fire Boat,
3208 Cats, 4 Cyl. Diesel Pump Engine, All There
Partial Submersion.....\$6,500

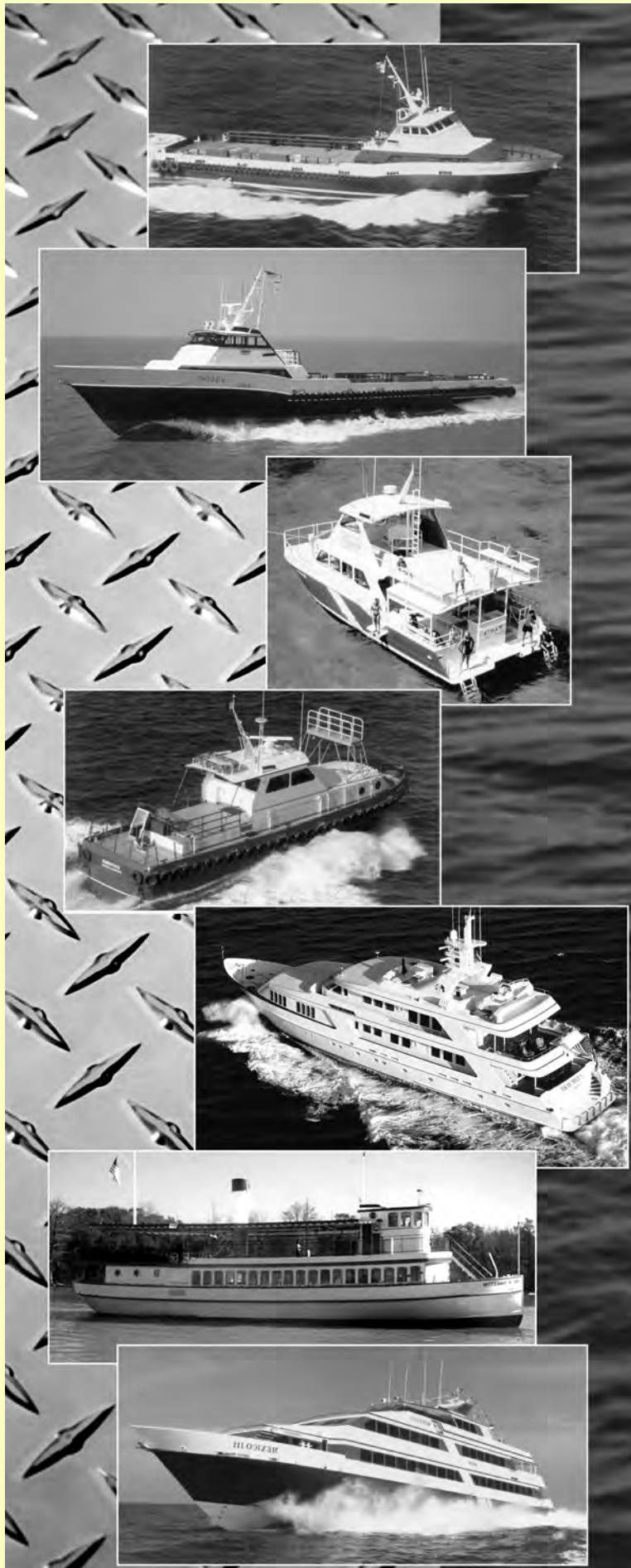
Cat 3208 Marine Engine, Less Trans \$3,500

All Interesting Trades Considered

Call: (781) 925-2404

Email:

acushnetmarine@gmail.com



Boats & Harbors

Maximize Your Profit - Minimize Your Cost!!
CLASSIFIEDSExperience
The Selling Power of The
Yellow Sheet!Place Your Ad (931) 484-8708 or Email: Tlewis@boats-and-harbors.com • Fax: (931) 456-2337 • Submit Online: www.boats-and-harbors.com**★ GENERATORS FOR SALE**

BOAT GENERATOR REBUILDERS. Sale, service and repair. (844) GEN-KING. All brands available. Nationwide delivery. 3-100 KW. Load bank tested with warranty.

D330C MARINE GENSET 55kW. (831) 633-1345
Email: haipdiesel@yahoo.com

CATERPILLAR 3208 150KW self contained on skids, 1200 hours, 400 amp box with fuel tank. \$9,500 OBO at Inner Banks, NC (518) 294-6181

ONE (1) NEW CATERPILLAR 275 kW SR4B Prime Power Marine Generator, \$15,800. Call Ring Power: Lyndon Schultz (904) 494-1278 or Victor Flores (904) 494-7311.

3.71 MARINE GENSET 30 kW, 1200 RPM & 1800 RPM. (831) 633-1345
Email: haipdiesel@yahoo.com

TWO (2) NEW CATERPILLAR 113 kW SR4B Prime Power Marine Generator, \$24,500 each. Call Ring Power: Lyndon Schultz (904) 494-1278 or Victor Flores (904) 494-7311.

471 100kW. (831) 633-1345
Email: haipdiesel@yahoo.com

HUNDRED KW GENERATORS ends, \$2,000. Call George @ (239) 229-0196 or email @ tricogg@aol.com

40KW NORTHERN LIGHTS marine generator. (831) 633-1345
Email: haipdiesel@yahoo.com

65KW NORTHERN LIGHTS marine generator. (831) 633-1345
Email: haipdiesel@yahoo.com

LARGEST STOCK DETROIT 2-71 generators and parts in the whole world. Emerson & Matkin "The Deuce" 1-(800) 387-4972 (208) 234-4436
www.deucepower.com

20KW NORTHERN LIGHTS marine generator. (831) 633-1345
Email: haipdiesel@yahoo.com

CLEAN OUT YOUR STORAGE TODAY! Sell it in Boats & Harbors! Call us today at (931) 484-6100 or place your ad online at www.boats-and-harbors.com

6KW KOHLER GENERATOR. (831) 633-1345
Email: haipdiesel@yahoo.com

(2) CATERPILLAR SR4B Prime Power Marine Generators. Single bearing, 12 lead, 386 frame, arrgt. 4424741, housing SAE 1. Ring Power warranty. Call Ring Power, contact Lyndon Schultz (904) 494-1278 / Victor Flores (904) 494-7311.

105KW 3304 CATERPILLAR marine genset. (831) 633-1345
Email: haipdiesel@yahoo.com

55KW 330C CATERPILLAR marine genset. (831) 633-1345
Email: haipdiesel@yahoo.com

VOLVO PENTA 250 kW 500 hours MOD: TID121KGP. Ready to go, runs perfectly. Will sell engine separately. Zach (330) 808-1321.

★ PROPELLERS FOR SALE

(1) LH 36 x 36 x 3 MICHIGAN HY-TORQUE propeller. Light use as a spare, \$2,600.00. (508) 748-1036

4 BLADE 56Dx56PSO4 Props available. Never been swung, removed from decommissioned tug in 2016. Located West Palm Beach, FL. \$12,500.00 each.
Email: vancecocj@gmail.com

NEW PROPELLERS For Sale. Speed, high thrust, trawler, ship, Kaplan, and other styles. Bronze, Nibral & Stainless. 24" to 190" dia. Lowest prices guaranteed! Contact Ahoy Marine at (504) 367-5710 or
Visit: www.ahoymarine.com

BEST BRONZE PROPELLERS. Sick of pitted and pink props after one season? Ours hold the pitch longer and recondition more times than brand name props you have been buying and reconditioning every year for the few years they last. (781) 837-5424 or
E-mail at: twindiscgears@verizon.net

PROPELLERS AND NOZZLES, Various conditions and metals 18" to 180". Best buys. Spirit Marine (337) 839-2468, Fax (337) 839-2470
Email: ken@spiritmarine.org

NEW AND USED Propellers. Call for availability and pricing. Best prices and service. Various sizes, styles & metals. Used and reconditioned. Johnny's Propeller Shop. (985) 384-6940

HAVE MARINE PARTS YOU NEED to sell? Let Boats & Harbors help you! (931) 484-6100 or place your ad online at www.boats-and-harbors.com

OVER 1000 USED Propellers. See listings w/photos at www.fjprop.com. Largest inventory of new propellers. Frank & Jimmie's Propeller 1-(800) 228-6077

NEW AND USED Propellers for sale. Large inventory available in BRZ, Nibral, and stainless steel. New nozzles also available. Call Texas Wheel Works, Inc. (800) 238-9402 or Fax: (409) 984-5690

★ PROPELLERS WANTED

PROPELLERS WANTED 20" and up any condition or metals. (337) 839-2468 or
Email: ken@spiritmarine.org

PROPELLERS WANTED: 26" and up. Any material. Please call Texas Wheel Works, Inc. (800) 238-9402 or Fax: (409) 984-5690

WE BUY PROPELLERS. Any material or condition. 20" and up. Johnny's Propeller Shop. (985) 384-6940

★ PROPELLER SHAFTING FOR SALE

ABSOLUTE BEST PRICING: Aquamet HS Shafting and Dynatorc Props. (781) 837-5424

BOAT SHAFTING 3/4" to 29" diameter, various lengths and metals. (337) 839-2468

BOAT SHAFTING, Up to 6", bar stock or machined as required, will ship worldwide. Lauderdale Propeller, deep discounts. (800) 329-7767

SHAFTING, ALL SIZES, bar stock or machined. Best pricing. Frank & Jimmie's Propeller 1-(800) 228-6077

★ PUMPS FOR SALE

35,000 GPM 400 HP Electric vertical shaft pump, controls, baloney. Adjustable height stand. 10 hrs on rebuild. (206) 283-9996

★ DIVING SERVICES

DIVING SERVICE, ANYWHERE, specializing industrial plants, safe, experienced, insured, 37 years same ownership. (337) 286-5565
www.dickandsonsdiving.com

★ DIVING EQUIPMENT FOR SALE

HULL SCRUBBERS & Dive Compressors. We manufacture, you save. Armada Systems. USA. Phone (850) 912-8962, Fax (850) 912-8965
Email: armadahull@aol.com
Website: armadahull.com

★ BOAT HANDLING EQUIPMENT FOR SALE

MARINE TRAVELIFT - 50 BFM, 50 ton capacity, 1992, 20' ICW with 4' top beam spacer, 22' ICH with 2' column spacers, 2 speed hoist, John Deere Diesel, hydraulic jib crane, available February 2017, 4,000 hrs., great shape, call for pricing. Kendrick Equipment (866) 744-9921
dave@kendrickequipment.com

USED MARINE TRAVELIFT boat hoists for sale. Call (781) 347-1201 or go to www.walterco.com for listings.

HOSTAR - HYDRAULIC Trailers new and used, road / yard. Boat stands, dollies. (800) 783-9303, (508) 295-2900, Fax (508) 295-2922
www.hostarmarine.com

MARINASANDTRANSPORT.COM New & pre-owned. Hydraulic trailers, sling lifts, transport trailers. Buy or sell boatyard equipment. (508) 758-9409
boattransport@comcast.net

MARINE TRAVELIFT, 15 AMO (15 ton capacity), 1984, 13'8" ICW (extra width available), 18' ICH, hydraulic jib crane, rebuilt trunnion pin, hydraulic cylinders, steering pins / bushings, great condition, ready to work, available immediately. \$29,500 OBO. Kendrick Equipment (866) 744-9921
dave@kendrickequipment.com

TWO MARINE TRAVELIFTS For Sale. 70 BFM (1990) and 30 AMO (1977). Both well maintained with 18'-8" ICW. For additional details, call (251) 987-1696 or
Email: Charlesj@gulfnet.com

★ BOAT AND BUSINESS FOR SALE

ALASKA YACHT CHARTER, Since 1995, 96' classic yacht upgraded & in top condition, \$500,000 average revenue over past 4 years (in 5 month season), 20 years documented profits. Owner / Operator retiring, will work with new owners. (360) 510-2213

ROSE BROTHERS Manufactured 1979 Harkers Island 52 COI 25 passengers w/ federal fisheries permits, Gulf of Mexico charter / headboat for reef fish, Gulf of Mexico charter / headboat for coastal migratory pelagics. Comes with all safety equipment, fishing tackle / gear, permits, customer base, booking phone number. Located @ Slip 4W, Heron Harbor Docks, Destin, Florida. Asking \$135,000.00. Please contact Brett at (770) 894-2582.

SUCCESSFUL 27 YEAR multi-passenger catamaran sailing charter / dolphin watch business in Hilton Head Island, including USCG certified 53 ft catamaran, inspected for 45 passengers, "6 pac" 27 ft catamaran, lease agreement, etc. Boats may be sold as separate entity. Selling due to illness. (843) 686-2582

★ BOAT HANDLING EQUIPMENT WANTED

TRAVEL HOIST WANTED: 15 to 100 ton needed. Any brand. Call Mike Mazzeo. (609) 263-6900
mikemazzeo@gantrytrading.com

WANTED: 100 TON Travel Lift, in good condition. East coast preferred. Dave Allan. (207) 841-7257

★ PILING FOR SALE

STEEL PIPE for piling, spuds, dredging, etc. See our display ad in this issue. (800) 238-7473.
www.crestwoodtubulars.com

ACTION REQUIRED: If you wish to sell your vessel or equipment all you have to do is go to our website and place your ad. It's simple, it's easy and it's effective!
www.boats-and-harbors.com

★ PILE DRIVING EQUIPMENT FOR SALE

180M LINK BELT diesel with leads and manual, \$5,000.00, can load and ship. (713) 898-0655
howard@houstonvalve.com

★ AIRCRAFT TIRES FOR SALE

USED FOR FENDERS or Bumpers. All sizes of aircraft and special service tires for marine uses. Tire Traders Inc. Cell phone: (516) 526-6363. Fax: (516) 897-7426.
Email: tiremw@aol.com

★ CRANES FOR SALE

CRAWLER CRANES FOR RENT w/o spud barge. 75-230 tons. Located in Central US. (309) 925-2831
info@midwestfoundation.com

LATTICE CRANE BOOMS for sale. 25 ton unit, 80", with 3 sheave tip. 20 ton military American, 70'. All in good condition. \$2K each set. Dave Allan (207) 882-5400

LINK BELT 250 ton Crawler crane, LS-718, 260 FT. boom and 60 FT. jib. \$395K. Texas. Call: (281) 635-7151.
Email: marineone1st@yahoo.com

TRI-CON CRANE BOOM, fits Bucyrus Erie Model 61B Super and 71B Super, and also fits 110T Bucyrus truck crane, 140 ft. available (6 ft.w.) can be used for other applications, tested for 125 ton cap. Good condition, \$100/foot, open for offers. Location: Wisconsin. (262) 835-2954
cal@dykstraequipment.com

★ CRANETRESTLE

CRANE ACCESS TRESTLE Leaders in North America for 15 years. For solutions, sales, rentals, call: (727) 449-2100
info@ConstructionElink.com

ECONOMY GETTING YOU DOWN? Sell that unused marine item through Boats & Harbors. Call us today (931) 484-6100 or place ad online
www.boats-and-harbors.com

★ HOIST/WINCHES FOR SALE

AMERICAN 2-DRUM 120-B, c/w 2 winch heads, excellent gears and sheet metal, no power. \$10,500, fob. Morgan City, LA. Photos and info: (514) 386-7507
sergeharrison2@gmail.com

DOUBLE DRUM WINCH built by Lambert Hoisting Engine Company. Was disassembled for removal from building. Powered by Detroit 6-110, willing to separate. \$6,250.00. Call (904) 757-0407.

DOUGLAS DRUM WINCH, \$3,000.00. Call George @ (239) 229-0196 or
Email: tricogg@aol.com

NEW 40 TON NABRICO Type Barge Winches, hand wheel with ratchet. \$4,200.00 each FOB Morgan City, LA. Contact Gerard (514) 386-7507

TRIPLE DRUM RICE WINCH, \$2,000.00. Call George @ (239) 229-0196 or
Email: tricogg@aol.com

★ BOAT EQUIPMENT FOR SALE

280 A ZF TRANNY 2.5.1. Gear rebuilt Nu. 3 housing. \$2,500. (339) 236-1202
Kbreen3@comcast.net

★ HELP WANTED

200T AND UP Captains with Master of Tow wanted. San Diego and Long Beach, CA. Pacific Tugboat Service. Ask for Bob. (619) 533-7932

MATES, DECKHANDS, CAPTAINS, and Servers needed for Dinner Cruise Boat in Ft. Lauderdale, Fla. Call (954) 448-1044

★ INSTRUCTION

BECOME A PROFESSIONAL Marine Surveyor, commercial and recreational courses. Navtech US surveyors nationwide home study guide. Survey forms, check lists, USCG NVCS, accreditation. USCG approved for fishing vessels. Advertise your boating business with us on the web! Toll-free: 1-(800) 245-4425.

CAPTAIN'S LICENSE PREP GUIDE for 6 passenger and 100 ton Master's licenses. 2016 Edition. Actual exam questions, answers, Flashcards, Rules of the Road, Chart Lessons. Guaranteed! Still \$37.50. Best nationwide prices on Rules CD, DVDs. Other DVDs and CDs available. Renewal test assistance. National Captain's Institute, Box 11834-H, St. Petersburg, FL 33733. Order online at
www.Captains.com
or Toll Free at 1-(800) 345-6901. Immediate Shipment!

★ MISCELLANEOUS FOR SALE

2 VERINALIFT DUAL stage mufflers, 12 inch exhaust, new, never used. \$1,200.00 each. (757) 287-4153

AIR COMPRESSOR powered by 471 GM, \$2,000 OBO. Call George at (239) 229-0196 or
Email: tricogg@aol.com

CONTINUED ON PAGE 34



Scarano 65' x 14' Water Ferry Launch



Scarano 80' x 16' Motor Launch



**115' PV Adirondack
350 Passenger Capacity**



Adirondack 65 LOD

SCARANO BOATBUILDING, INC.

Port of Albany, Albany NY 12202

Custom Design Construction

518-463-3401 • FAX 463-3403 • www.scaranoboat.com

Central Boat Rentals, Inc.

Morgan City, LA

For Charter: 2000 HP Push Tug
10K & 30K BBL Double Skin Oil Barges

(985) 384-8200 www.centralboat.com



HIGH SPEED CATAMARAN FOR CHARTER

**New 150 Passenger
Ava Pearl
Trim Tab Ride
Control System**

Gladding-Hearn "INCAT" high-speed ferry is available for Charter with crew beginning September 2015 through May 2016.

AVA PEARL - 150 Passengers, two levels, 2 restrooms, 5 Flat Screen TV's, full AC or heated climate controlled Business-Class interior and features the latest MDI Trim Tab Ride-Control System. This ferry is powered by (2) MTU 12V4000 M53 engines and (2) ZF Propellers. Service speed is 29.5 kts. fully loaded with luggage - top speed 30 kts.

If you are looking for a reliable fast ferry that has a proven track record to supplement your fleet or start up a new service call Rhode Island Fast Ferry. We also offer various fast ferry Consulting Services as well.

Charles A. Donadio 401.255.9118 or email charlie@vineyardfastferry.com

BOATS & HARBORS
IS
"THE" MARKET PLACE
FOR THE MARINE INDUSTRY

**(2) 60' x 10' x 4'
SECTIONAL BARGES**



Barely Used, Freshly Sandblasted to Bare Metal, Painted. Cambridge, MD.

\$100K • (443) 521-7748



**83' Expedition Trawler
1983 Steel Trawler**

1998 Twin Cummins. Two Gen. Refit 2005. Great condition and turn key. Charter vessel or world wide cruiser. \$550,000. Scuba Business also available. More info www.yachtexpedition.com • (561) 351-9354

**"EQUIPMENT
DETAILS ARE ON
WEBSITE"**

www.triplecmarine.com



**1, 2 & 3 Drum Friction Winches,
2 Ea. Clyde Frame 8 Double Drum,
American 55B, 70B, 90B, 120B.**



**2 Ea., 38" Westec Power Blocks
\$30,000 Ea.**

TRIPLE "C" MARINE

PO Box 885

Morgan City, LA 70381-0885

**Phone: 985-384-9517
www.triplecmarine.com**

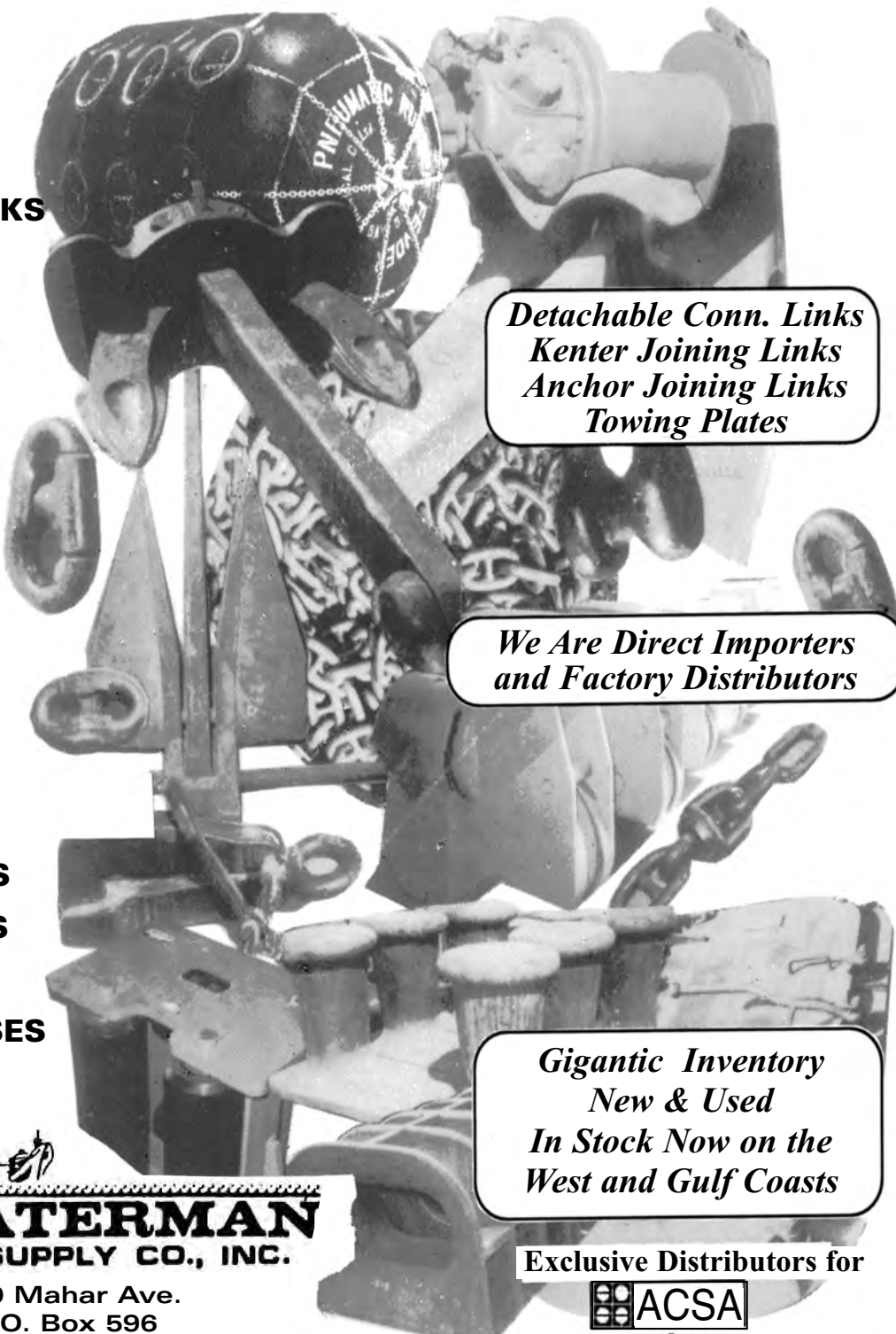
**SERVING THE MARINE AND OIL INDUSTRY
FOR OVER 50 YEARS**

**ANCHORS
CHAIN
CONN. LINKS**

**FENDERS
CHOCKS
BITTS**

**KEVELS
DOORS
HATCHES**

**FAIRLEADS
CAPSTANS
WINCHES
WINDLASSES**



*Detachable Conn. Links
Kenter Joining Links
Anchor Joining Links
Towing Plates*

*We Are Direct Importers
and Factory Distributors*

*Gigantic Inventory
New & Used
In Stock Now on the
West and Gulf Coasts*

Exclusive Distributors for



Products

Anchors • Chain • Hardware • Fittings

www.watermansupply.com



910 Mahar Ave.

P.O. Box 596

Wilmington, CA 90748

800-322-3131 • (310) 522-9698

Fax: (310) 522-1043

**Call Toll-Free
(800) 322-3131**

Boats & Harbors

Maximize Your Profit - Minimize Your Cost!!
CLASSIFIEDSExperience
The Selling Power of The
Yellow Sheet!Place Your Ad (931) 484-8708 or Email: Tlewis@boats-and-harbors.com • Fax: (931) 456-2337 • Submit Online: www.boats-and-harbors.com

★ MISCELLANEOUS FOR SALE

HYDRAULIC BOOM, \$200.00. Call George @ (239) 229-0196 or Email: triccogg@aol.comSTEEL RAILWAY CRADLE WHEELS - Approx 60 pieces of solid steel railway wheels and axles with bronze bushings, some new, some used, 10" OD x 5" width, center groove 2 7/8 W x 1" deep, 2 1/4 OD axle. Approx 70 lbs. each, \$50 each OBO. For more info, send email to: Pointviewmarina@gmail.com

USED 1" x 54" RUBBER CONVEYOR BELTING. Used 3/4" and 1 1/2" wire rope. 1,000's of feet of everything available. Damon @ (303) 321-1471.

USED GM ENGINES For Sale. Used 671's, 8V71's, V12's, V16's, and used pumps & generators. Large or small starting @ \$2,000. For pictures and specs & more marine misc. equipment, call (956) 943-2648 or visit our website: www.marineservice.us

★ WATERMAKERS FOR SALE

TWO REVERSE OSMOSIS UNITS. One is 600GPH and the other is 125GPH. (206) 465-7981

tridentllc@me.com
www.tridentllc.net

★ BUSINESSES FOR SALE

ALASKA YACHT CHARTER 96" classic yacht. In operation since 1995. \$500,000 average revenue over past 4 years (in 5 month season). Profit margin 40% Owner / Operator will work with new owners. (360) 510-2213

MISSISSIPPI RIVER EXCURSION Boat Business! Successful 10 year old business in Southern MN. providing private charters, dinner cruises and sight-seeing cruises. Optional office and/or waterfront with rights to develop a Marina also available. Email: larry@pepinvalley.com
www.pearlofthelake.com

NEW YORK CITY AREA Tow Boat. U/S tow company with protected area from 59th Street east river to Port Chester, New York in western Long Island Sound. All interested parties call (917) 952-8506.

WATERFRONT DREDGING / CONSTRUCTION Company for sale in Qc., Canada. The 1 million + sq.ft. property has direct access to the highway and to the St. Lawrence River. Company is selling its assets; equipment, dwellings and land. Very well maintained. Phone: (450) 742-5648
info@marinedragage.com

★ BUSINESSES WANTED

INTERESTED IN PURCHASING boat and barge company in the New Orleans, LA area. Call (985) 397-3053

★ BUSINESS OPPORTUNITIES

HELLO! ORIENTAL, NC. Harbor 1 acre unrestricted commercial marine business property, nice house, rental cottage, dockage, steel dredge barge w/ pile driver on deep channel, 500 boats in water in walking distance. We have No Sea Tow or Rack & Stack. \$550,000. One additional acre w/ house available. Capt. Ron Diamond (518) 294-6181

★ MARINAS FOR SALE

BEAVER ISLAND, LAKE MICHIGAN 400' harbor water frontage. Incredible development potential. The Beaver Island Marina is located in St. James at the heart of the Harbor District on Paradise Bay. Package includes seven adjoining waterfront parcels as well as four others across the road comprising 1.75 acres on the harbor, 55+ boat slips, boat shop, bathhouse with showers and laundering facilities, 6,050 sq. ft. Repair facility, a four unit apartment building, plus additional 1.3 acre commercial lot with 4,800 sq. ft. storage building. Gas station on site. 35 full service slips have 30 amp & 50 amp electric available with water. Electric accessibility as well as 2-way tie with dockage is offered on the other 20 slips. Package includes a large working crane for lifting masts, marine hydraulic trailer hauls boats up to 45', and a launching ramp. Rental car fleet with 12 vehicles. The largest inhabited island in the Great Lakes, Beaver Island is known for its unmatched beauty, fishing, seclusion and character. Asking Price \$3,500,000. Owner financing available. Sheri Richards (231) 675-6717
Email: S.Richards.Realtor@gmail.com

MARINA & CAMPGROUND For Sale. 20 acre Marina Campground in Maryland. Full to capacity, campground, 80 percent Marina. Call (301) 370-9874.

WATERFRONT COMMERCIAL FISH House and a living house close to the Gulf of Mexico. (215) 416-2376
chau.thomas933@gmail.com

★ WATERFRONT PROPERTY FOR SALE

NEWBURYPORT, MA. one acre marine opportunity w/ prime real estate, over 100 dockage, deep water in marine district, upscale residential condos included! Call Val McGillivray / Bean Group (978) 360-4209.

ST MARYS, GA. 1.67 acres 425 ft waterfront, 360 ft dock, 100 ft floating dock, 600 sq ft building. Currently shrimp boat dock. Access to ocean and Kings Bay. Call for marketing John P Stack, Lic Real Estate Broker 75441, GA Lic. (904) 556-4491

★ WATERFRONT PROP SALE OR LEASE

GROTON, CT. One Acre Marine opportunity with prime real estate. 80' Deep water frontage. Permitted for dock 230'L x 15'W with (2) 70' x 10' side piers. Industrial zoned. Many uses: marine contractor, commercial fishing facility, charter / headboat location, ferry terminal. Plenty of parking. Contact Gary (860) 227-7283 or swim@snet.net

Available for Monthly or Yearly Lease



Manitowoc 4100W Series II Heavy Lift Crane Barge • Price: \$1,200,000.00

1992, 230 Ton Crawler Manitowoc 4100W Series II sitting on a 155' x 54' x 10' Steel Barge. Barge also equipped with Generator, Welding Machine, Air Compressor, Sewage Treatment System, Office Building and Equipment Shed. Crane has 200' of boom and a 60' jib. Contact: Troy Lombardo - 1414 River Road, Berwick, LA 70342 • Of: (985) 384-8770 • Cell: (985) 637-8775

BOATS & HARBORS
IS "THE" MARKET PLACE
FOR THE
MARINE INDUSTRY**PINE HILL EQUIPMENT**655 Pine Hill Rd. - Westport, MA 02790 • E-mail: sales@pinehillequipment.com
"Pictures of all equipment can be emailed upon request. Dimension sheets also available"

Winch Inventory

NEW PULLMASTERS IN STOCK

(1) PL1-12-227-1 • (2) PL2-12-228-1-B
(3) PL5-12-210-1 • (4) PL5-12-210-2 • (2) H12-3-97-1

Our Winch Inventory is constantly changing! Please give us a call about any of your hydraulic winch needs.

M12-6-97-6 PullMaster Winch - PHE Rebuilt

Planetary winch with equal speed forward and reverse. Bare Drum = 9,756 LBS / 129 FPM. Mean Drum = 8,003 LBS / 165 FPM. Full Drum = 6,250 LBS / 201 FPM. Wire Capacity: 365 ft of 1/2" wire rope or 1510 ft of 1/4" wire rope. Rebuilt by PHE technician. Carries a 90 day warranty.

H10-3-97-7 PullMaster Winch PHE Rebuilt

(Old model number. Current equivalent model H12) Planetary winch with rapid reverse. Bare Drum 12,101 LBS / 104 FPM / 449 FPM. Mean Drum 9,186 LBS / 152 FPM / 660 FPM. Full Drum 6,250 LBS / 201 FPM / 871 FPM. Wire Capacity: 636ft of 1/2" wire rope. 2,237ft of 1/4" wire rope. Rebuilt by PHE technician. Carries a 6 month warranty.

H8-3-30-2 - Planetary winch with rapid reverse. Bare Drum: 7,000lbs / 135 FPM / 587 FPM. Mean Drum: 5,519lbs / 184 FPM / 802 FPM. Full Drum: 4,038lbs / 235 FPM / 1,018 FPM. Wire Capacity: 231ft of 1/2" wire rope, 812ft of 1/4" wire rope. Rebuilt by PHE technician. Carries a 6 month warranty.

(2) USED ROTZLER WINCHES

10,000 Bare drum line pull winches. Equal speed. 2000 PSI @ 65 GPM. Black powder coated with stainless steel fasteners. Condition: Like brand new & warranted by PHE for 6 months.

MR-525 Hydrostar Radial Piston Motor RECONDITIONED

(1) Reconditioned Unit - Spline shaft is 85%, motor is clean inside. Supplied blasted and in zinc primer. Motor was entirely disassembled, inspected & resealed w/ shaft saver on shaft. Motor has four bolt flange connections, not typical 6 bolt flange style. Heavy Duty, High torque, Low speed. 523.9 Cubic Inch. Max Continuous Speed: 80 RPM, Max Continuous Output: 220 HP, Max Continuous Pressure: 3000 PSI, Max Continuous Output torque: 19520 FT/LBS, Dry Wgt: 1698lbs. Call for price. See website for pictures & spec sheet.

(1) ZF IRM 320 PL-1 REVERSE GEAR 1-12:1, SAE No. 1 Bell Housing, serial no. 320-672, new never used cond. Call for price.

Marine Cranes | Launch and Recovery | Boats | Spare Parts

Pine Hill Equipment is proud to offer marine products by:

PALFINGER & PALFINGER NED-DECK

CRANES - Off-shore, ship-mounted & dock mounted cranes • Knuckle boom, telescopic boom, and stiff boom configurations • Cranes from 2.5 mt to 400 mt • Heavy Lift cranes to 3000 mt • Certified for ABS, DNV & others.

LAUNCH AND RECOVERY - Davits for rescue boats and life rafts • Manual, hydraulic and electric operation • A-frame, swing arm, telescopic arm, outrigger & dual point types. Automatic release safety hooks.

BOATS - Life rafts & fully enclosed life boats • Rescue & fast rescue craft. As well as Navy & USCG specified vessels • Daughter craft, workboats, push/pull boats • Rigid hulled inflatable boats

PARTS - Spare parts for all things Palfinger Marine and Palfinger NedDeck Many in stock. Fast reliable ordering service.

PACKAGES - Power units, winches, radio remote controls, anti-2-block systems, scales & weight systems, platforms, seats, cabs & crane skids. Spare parts, pipes & hoses. After sales & service.



NEW MARINE CRANES IN STOCK

PALFINGER MARINE MODELS IN STOCK

PK4501MC - 4.2 MT/29,500 FT-LBS

PK8501MA&C - 8.2 MT/59,984 FT-LBS

PK11001MD - 10.7 MT/77,416 FT-LBS

See <http://pinehillequipment.com/marine-cranes/>
For Full Spec Sheets & Availability • Used & Reconditioned Cranes Also Available • Please Call For pricing.

MR 375 HYDROSTAR RADIAL PISTON MOTOR - CURRENTLY BEING REBUILT - Once reconditioned this unit will be - Spline shaft 85%, motor clean inside. Supplied blasted and in zinc primer. Motor will be entirely disassembled, inspected and resealed with shaft saver on shaft. Motor has six bolt flange connections. Single Speed, Heavy Duty, High torque, Low speed., 374.2 Cubic Inch, Max Continuous Speed: 90 RPM, Max Continuous Output: 165 HP, Max Continuous Pressure: 3000 PSI, Max Continuous Output torque: 13,750 FT/LBS, Dry Weight: 1444 LBS - Price upon request.

NEW Kawasaki "STAFFA" Radial Piston Motor

Brand New - Take Off Hydraulic Radial Piston Motor. Heavy Duty, High Torque, Low Speed. Model: HMHDB200T/FM4 /30/PL130, Serial: 01A10151 • 188 Cubic Inch, Max Continuous Speed: 175 RPM, Max Continuous Output: 174 HP, Max Cont. Pressure: 3625 PSI. Full specs & price upon request.

Custom Hydraulic Power Units! Rent or Own!

Any HP, wireless control capabilities, any GPM, any size!
They are fully customizable and marine tested and proven.
Below are the pictures of our standard 80HP!

DIESEL POWER UNITS FOR RENT

Available quickly.
Standard diesel HPUs
up to 173 HP.
Built to spec. Buy or rent.
We can deliver to your jobsite.
Call for availability.

Almond Johnson LST Anchor Winch

It makes a strong towing winch. Carries 1500 ft of 1 1/2 wire rope and has 60,000 lb. bare drum line pull. The winch has been converted to hydraulic and air operated brake/clutch. The winch appears to never have been used. Hydraulics are new, installed by Pine Hill Equipment. Includes level wind.



Call ex 215 for pricing

WIRELESS RADIO REMOTE CONTROLS



Wirelessly control all of your hydraulic equipment. Don't be stuck behind a console! Safely run your equipment with the ability to be in a better line of sight. Push button stop features allow you to remotely shut down equipment in case of machinery failure or other emergency. Remotely control your cranes, winches, deck equipment, power units and motor starters, etc. We can safely and remotely control just about anything. Call with your specifications.

 200 TON SHACKLE
LIKE NEW • \$1,250

DESIGN & CONSTRUCTION OF HYDRAULICALLY POWERED WINCHES AND LINE/MATERIAL HANDLING MACHINERY FOR ALL APPLICATIONS

Often Times It Is More Cost Effective To Replace
Old Mechanically Driven Winch Systems With
NEW Hydraulic Winches and Power Units!

WE ARE DISTRIBUTORS OF

PLANETARY WINCHES AND
PLANEMATIC PLANETARY DRIVES
FROM 1,000 LBS. TO 75,000 LBS. LINE PULL

CALL OR FAX US FOR A QUOTE ON YOUR NEXT WINCH REQUIREMENT!

Website: www.PineHillEquipment.comPHONE (508) 636-5971 x212
FAX: (508) 636-9067

RATES, ETC.

DISPLAY ADVERTISING (3 ISSUES)

RATES:
Based on the column inch which is 1" deep and 2 1/4" (14 picas) wide

SIZE	RATE	SIZE	RATE	SIZE	RATE	SIZE	RATE
1"	\$ 73.00	12"	\$540.00	27"	\$1107.00	48"	\$1680.00
2"	\$116.00	13"	\$572.00	28"	\$1148.00	52"	\$1768.00
3"	\$171.00	14"	\$616.00	30"	\$1200.00	56"	\$1904.00
4"	\$224.00	15"	\$660.00	32"	\$1280.00	60"	\$1980.00
5"	\$280.00	16"	\$672.00	33"	\$1287.00		
6"	\$336.00	18"	\$738.00	36"	\$1404.00		
7"	\$392.00	20"	\$820.00	39"	\$1482.00		
8"	\$416.00	21"	\$861.00	40"	\$1520.00	Double Page	\$4096.00
9"	\$423.00	22"	\$902.00	42"	\$1554.00	Center Spread	\$4352.00
10"	\$460.00	24"	\$984.00	44"	\$1584.00	Cover Page	\$2080.00
11"	\$495.00	26"	\$1066.00	45"	\$1620.00		

Full Page \$2,112.00 1/2 Page \$1,280.00
1/3 Page \$861.00 1/4 Page \$672.00

CLASSIFIED ADVERTISING

Rates for classified advertising: 84 cents per word, minimum 20 words for \$16.80 (charge covers two consecutive issues), \$1.26 per word, minimum 20 words for \$25.20 (covers three consecutive issues), \$1.68 per word, minimum 20 words for \$33.60 (covers four consecutive issues). Each additional consecutive issue .42 cents per word. For "Blind" ads (B&H box No. replies) add \$4.00 for 2 issues or \$6.00 for 3 issues. Include in count words in name, address, phone numbers & count each initial or number as a separate word unless considered good style to group, as P.O., H.P., 16-278A, etc., but if more than seven characters count as two words.
Bold Type \$1.14 per word 20 word minimum for \$22.80 (charge covers two consecutive issues) \$1.71 per word 20 word minimum for \$34.20 (covers three consecutive issues) \$2.28 per word 20 word minimum for \$45.60 (covers four consecutive issues), etc.
• TERMS: Payment With Order
• CLOSING DATES: 9th, 19th, 29th, 9:00AM C.S.T. (Unless Otherwise Published)
We Reserve The Right To Reject Any or All Advertising.

ADDRESSES - (MAILING) Boats & Harbors, P.O. Drawer 647, Crossville, TN 38557
Physical Delivery Address: Boats & Harbors. 175 4th St. Crossville, TN 38555-4302
Phone: (931) 484-6100 • (931) 484-8708 • Fax: (931) 456-2337
Email: dhale@boats-and-harbors.com
www.boats-and-harbors.com

MECHANICAL REQUIREMENTS FOR DISPLAY ADVERTISING

1. Printing process: Web offset.
2. Binding method: Saddle stitched.
3. Trim size 10-1/4" wide by 17" deep
4. 4 column page format.
5. Width of single column: 2-1/4" (14 picas)
Width of two columns: 4-3/4" (28-1/2 picas)
Width of three columns: 7-1/4" (43 picas)
Width of four columns: 9-3/4" (58-1/2 picas)
6. Depth of column: 16-1/4"
7. Minimum size space unit; one column in. (2-1/4"W x 1"D)
8. All display ads must be full inches (no fractions).
9. Ad must be as many inches in depth as it is columns wide.
10. Publisher accepts: Negatives (right reading emulsion side down); repro proofs; camera-ready art; copy to be set in type. For best results, we recommend the submissions of quality white proofs rather than negatives. (Mail repro proofs flat or in mailing tube).
11. Black and white halftones: 80 to 100 line screen.
12. For best quality, submit clear sharp photos.
13. Page number or position on page not guaranteed.
14. Contract advertisers are entitled to one complete change of copy every three issues. When change of copy is not received by closing date, copy run in previous issue will be inserted.
15. The publisher assumes no liability if for any reason it becomes necessary to omit any advertisement.
16. No cancellations or changes in orders will be accepted after closing dates.

SUBSCRIPTION ORDER FORM

- * Standard Mail - (One Year - 36 Issues - 3 Per Month)..... **\$38.00**
- * Standard Mail - (Two Years - 24 Issues - 1 per month)..... **\$32.00**
- * Standard Mail - (One Year - 12 Issues - 1 per month)..... **\$16.00**

***USA & POSSESSIONS ONLY**

- * First Class Mail - (One Year - 36 Issues - 3 Per Month)..... **\$80.00**
- * First Class Mail - (Six Months - 18 Issues - 3 Per Month)..... **\$40.00**
- * First Class Mail - (One Year - 12 Issues - 1 Per Month)..... **\$30.00**

Remittance Enclosed \$ _____
 Foreign (Send For Rates)

Name.....
Business Name.....
P.O Box or Street Address.....
City..... State..... Zip Code.....
Type of boat or business.....
Ph. No. ()..... Fax No.....

PH: (931) 484-6100 **BOATS & HARBORS** P.O. Drawer 647
FAX: (931) 456-2337 Crossville, TN 38557
Email: neischied@boats-and-harbors.com • www.boats-and-harbors.com

ISLAND WIDE MARINE INSURANCE

Superior Service Since 1977

CUSTOMIZED POLICIES
Designed Specifically For:
Passenger Vessels
Sightseeing - Dinner Cruise
Headboats - 6 Packs - Ferry
Dolphin - Whale Watch

FEATURING:

- ★ **Basic & Enhanced Policies**
- ★ **Competitive Pricing**
- ★ **Easy Payment Terms**
- ★ **Discounts For Seasonal Operations**



Marine Insurance is Our ONLY Business
1-800-635-6097



2001 Zodiac LRI
Great Shape - 2 Ea. Available



1993 21' Sea Ark
Completely Restored Four Stroke Motors



2005 36 Sea Ark Patrol Fire Boat
Excellent Condition



25' SafeBoat Defender
Great Shape, NO POWER
Call For Pricing • 11 Available



1997 23' Sea Ark Little Giant
Diesel Powered, Excellent Condition



2010 30' Aluminum Workbarge



41 UTB 41446 "Detroit"
Freshwater Boat, Nicest Original 41 Around.



2001 25' Sea Ark VC Commander
Excellent Condition

ALL VESSELS ARE IN STOCK AND AVAILABLE FOR IMMEDIATE PURCHASE
For More Information On All These Boats Please Call:
Mike (850) 221-5138 Or
Visit Our Website: www.kclmsales.com



75' PASSENGER BOAT

3 - 60 Series MTV Engines / Hamilton Water Jets
Available for sale \$520,000 or possible lease to qualified operator.
Stability letter 149 / COI 75 passengers

Built 2003, 2 - 22 kw Generators
Double Electronics in Wheel House
Inflatable IBA Raft

Cruise 20 Knots, Top Speed 26 Knots

Call Joe: 508-776-8435
Email: joseph@meganet.net

Fish / Ice Boxes

35 Cu. Ft. Capacity.
 48" x 44" x 50"
 All good condition, insides like new.
 Up to 8 boxes.
\$650.00 Ea. plus shipping



Call Marc (910) 599-8707



47 x 16 Steel Hull, Wooden Cabin For Sale

Just put on dry dock, had bottom checked, bottom good. Overhauled 3306 Caterpillar. Rebuilt clutch, winch and A frame.

Asking \$50,000
Call Mary (985) 691-4008



45 FT ALUMINUM WORK BOAT

Repowered in 2000, runs great, 26 mph twin Cummins, Gen., Aircor, spot light and more.
Will accept Trade or Lease.

\$95,000 • Call (561) 723-2028

West Bank Harbor Service 2 TWIN SCREW PUSH BOATS **FOR SALE**

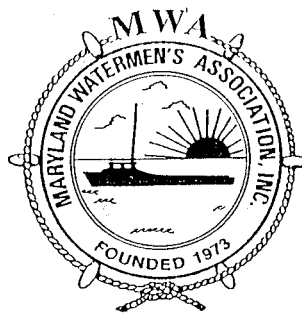
The Eileen Jewel 1360 HP, 120' x 27', Repowered with V-12, 149 Detroit engines in 2012. Chipped and painted in 2013, Starboard engine overhauled Nov. 2015 and Extensive interior renovation. **\$95,000**

USS II 700 HP, 46' x 15', 350 Cummins engines, Starboard engine overhauled in 2013. Both boats USCG certified and equipped with AIS. \$85,000

304-771-4625

43rd Annual East Coast Commercial Fishermen's and Aquaculture Trade Exposition

- Aquaculture and Commercial Fishing Seminars
- Charterboat and Sportsfishermen Gear & Equipment
- Workboats • Inshore/Offshore Equipment
- Preregistration Discount for Industry Association Members



January 13-15, 2017
Ocean City Convention Center
Ocean City, MD

For Info on Exhibiting or Attending Call: 410-216-6610
Email: info@marylandwatermen.com

CLOSING DATES • THIRD DECEMBER ISSUE

(To be mailed December 19th)

FOR DISPLAY December 14th (9:00 A.M. C.S.T) **FOR CLASSIFIED** December 16th (1:00 P.M. C.S.T)

40' Water Taxi / Sightseeing Vessel



USCG Certified
31 Pass + 2 Crew
671 Detroit
\$65,000
(910) 520-3730

For Sale

38' Steel Tug Boat
Fan Tail Hull



This is ready for you to put the finishing touches on. Many parts to finish the boat are included. From 4 KW generator to fuel tanks, 3 bank charging system, Fuel polishing system, hydro-steering installed, 5.9 liter Cummins diesel with turbo installed, Drive shaft installed, thruster tub installed, have worked on this boat for 5 years but my health does not allow any more time on the boat. I have lots of incidentals like a fridge, hot water heater, exhaust system, exhaust parts and many more.

Everything goes for one price.
\$35,000.00

Please call Carl Kok at (616) 836-4857 with any inquiries or questions.

Owner Ready to sell NOW!

Brokers Welcome • Commission 7%



89' LOA Custom Motor Yacht

Powered by Twin Cummins 903s, Onan 20K Gen, Cummins 4 Cyl Bow Thruster. Full array of navigational equipment including auto-pilot. Recently ran 40 mi up the Potomac River flawlessly. Interior has been demoed for refit. Beam: 20', Draft: 6', Steel Hull.

For Sale at \$174,900 As-Is, Where-is.



60' x 18' Custom Barge

2 Liveable Levels with third level for storage in the hull. Build cost \$700,000. Can be refit into a variety of uses, currently demoed for refit. Plans available for lower level clubhouse/office, upper level 2 bedroom condo. Ideal for waterfront business. House style heat and A/C, high ceilings, 11 skylights in roof, multiple heads, large fresh water and waste holding tanks.

For Immediate Sale at \$350,000 As-Is, Where-Is.

All Offers Considered! Call or Email for Additional Photos and Video.

Sales Managed by **Gladys Marine**

Herschel or Kevin at 804-410-2119 or

Herschel@GladysMarine.com • AquaHersch@gmail.com



1990 Lydia 75' x 22'. New in 2016. Two 6135 John Deere 650 HP. Warranty to May 2018, New Twin Disc Gears. New Props. USCG Certified for 144 Passengers 100 NM. 28 Passenger Upper Deck. (2) 21 KW Generators. **\$595,000.00**



1973 Sewart Seacraft 85' x 20'. All Aluminum USCG Certified for 180. Two Decks 3 1271TI Detroit Diesel. (2) 20 KW Onan Generators. **\$595,000.00**



1979 Gillikin 60 x 18 USCG 49+2 20 NM COI Thru 2020. Twin 871N Remanufactured 2015. 8KW Northern Lights Gen 400 HRs. Newer Electronics, New Shafts, Props Cutlass, 14 Knot Cruise. **Reduced \$79,000.00**

For More Info Call (609) 602-9048
backharborboats.com info@capemaycharters.com

CLOSING DATES • THIRD DECEMBER ISSUE

(To be mailed December 19th)

FOR DISPLAY December 14th
(9:00 A.M. C.S.T)

FOR CLASSIFIED December 16th
(1:00 P.M. C.S.T)

Cashman Equipment Corp.

Barges, Tugs & Marine Equipment For Sale Or Charter

Visit Our Website For a Complete List of Our

Available Fleet and Marine Equipment

www.4barges.com

Or Contact Us at +1-225-216-7694 or INFO@4BARGES.COM

United States East Coast

JMC 12 Deck Barge (220' x 54' x 14') - Built 1992	\$475,000.00
JMC 75 Spud Barge (150' x 60' x 12') - Built 1979	\$850,000.00
JMC 76 Spud Barge (150' x 60' x 12') - Built 1983	\$850,000.00
JMC 85 ABS Spud Barge (140' x 50' x 10') - Built 2000	NEW PRICING \$900,000.00
JMC 86 Inland Spud Barge With Manitowoc 4100 Ringer on Deck (250' x 72' x 16') - Built 1980	\$1,400,000.00
JMC 120 Inland Spud Barge (120' x 55' x 7') - Built 2003	\$800,000.00
JMC 122 Inland Spud Barge (125' x 48' x 9') - Built 2008	\$725,000.00
JMC 123 Inland Deck Barge (125' x 48' x 9') - Built 2007	\$725,000.00
JMC 127 Inland Deck Barge (120' x 30' x 7') Built 1981	\$150,000.00
JMC 130 Inland Spud Barge (135' x 55' x 7') - Built 1998	\$950,000.00
JMC 137 Inland Deck Barge (130' x 40' x 12') - Built 1990	\$100,000.00
JMC 140 ABS Spud Barge (140' x 48' x 9') - Built 2003	\$950,000.00
JMC 144 ABS Spud Barge (140' x 54' x 9') - Built 2006	\$1,200,000.00
JMC 158 Inland Spud Barge (150' x 50' x 8') - Built 2003	\$850,000.00
JMC 159 Spud Barge (150' x 60' x 10') - Built 2002	NEW PRICING \$1,300,000.00
JMC 164 ABS Spud Barge (160' x 60' x 10') - Built 2011	\$1,750,000.00
Sectional Barges (12' x 40' x 5') - 1 Available	\$25,000.00
Sectional Barges (10' x 40' x 5') - 4 Available	\$25,000.00 Each
JMC 29 Manitowoc 4100W S1 Crane With S2 Ringer	\$950,000.00
JMC 35 Manitowoc 4100 SII 230 Ton Crane	\$450,000.00
JMC 54 Manitowoc 4100 SII 230 Ton Crane	\$450,000.00

Gulf Of Mexico

JMC 5 Dredge Barge (149' x 45' x 8')	NEW PRICING	\$200,000.00
JMC 24 Accommodation Barge (290 Maximum POB) - Refit 2009	Pricing Upon Request	
JMC 44 Accommodation Barge (290 Maximum POB) - Refit 2009	Pricing Upon Request	
JMC 50 ABS Deck Barge (220' x 60' x 14') - Built 1998	\$1,900,000.00	
JMC 92 Inland Deck Barge (130' x 34' x 7')	\$100,000.00	
JMC 146 ABS Spud Barge (140' x 54' x 9') - Built 2008	\$1,200,000.00	
JMC 244 RMRS Classed Deck Barge (240' x 53' x 13') w/4000 Manitowoc Crawler Crane - Built 2009	Pricing Upon Request	
JMC 245 RMRS Classed Deck Barge (240' x 53' x 13') - Built 2009	Pricing Upon Request	
JMC 250 ABS Deck Barge (250' x 72' x 16') - Built 1998	\$2,900,000.00	
JMC 251 ABS Deck Barge (250' x 72' x 16') - Built 1999	\$2,900,000.00	
JMC 254 ABS Deck Barge (250' x 72' x 16') - Built 1999	\$2,900,000.00	
JMC 3009 ABS Deck Barge (300' x 90' x 18') - Built 2008	\$5,600,000.00	
JMC 3080 Deck Barge with Bin Walls (300' x 80' x 18') - Built 2010	\$2,800,000.00	
Hopper Barges (200' x 35' x 12') - Built 1998	\$55,000.00 Each	
Sectional Barges (12' x 40' x 5') - 10 Available	\$25,000.00 Each	
M/V Marina Orion - Built 2007	NEW PRICING	\$2,900,000.00
M/V Marina Polaris - Built 2007	NEW PRICING	\$2,900,000.00
M/V Todd Danos - Built 1981	\$2,300,000.00	
M/V Reed Danos - Built 1977	\$2,300,000.00	
Crew Boat Miss Penny	\$28,000.00	
JMC 49 - 300 Ton 2250 SIII Manitowoc Crane	NEW PRICING	\$950,000.00
Two (2) Reintjes Gears Model WAF 1173 7.429 to 1 Ratio	NEW IN WAREHOUSE/NEVER INSTALLED	\$220,000.00 Each or \$385,000.00 for Pair
Caterpillar 3516 C Tier 2 Engine 2575 HP @ 1600 RPM	NEW IN WAREHOUSE/NEVER INSTALLED	\$375,000.00
Four (4) Twin Disc Model MGN 1727 Gears 7.12 to 1 Ratio	NEW IN WAREHOUSE/NEVER INSTALLED	\$125,000.00 Each

United States West Coast

JMC 4 YC Inland Barge (110' x 34' x 10')	\$20,000.00
JMC 153 - (150' x 60' x 8') Crane Barge - Built 2013	\$1,200,000.00
JMC 154 - (150' x 60' x 8') Crane Barge - Built 2013	\$1,200,000.00
JMC 59 - Manitowoc 999 Series/ 3 Crane 200' Boom 100T & 15T Block - Built 2002	\$950,000.00
JMC 60 - Manitowoc 999 Series/ 3 Crane 200' Boom 220T Block - Built 2001	\$950,000.00

West Africa

JMC 3007 ABS Deck Barge (300' x 90' x 18') - Built 2008	NEW PRICING	\$3,400,000.00
JMC 3008 ABS Deck Barge (300' x 90' x 18') - Built 2008	NEW PRICING	\$3,400,000.00

Asia Pacific/Singapore

1000KVA Containerized Generator Sets. Cummins Engines, Stamford Alternators, Deep Sea Control Systems - Built October 2014 (3 Available)	NEW LISTING	\$275,000.00 Each
---	--------------------	--------------------------

44' Custom Lobster / Dive Boat

SOLD

2016 Furuno 582L fish finder, 24 mile radar and more.
Located Central NJ • Price Reduced For Quick Sale - \$20,000 Or Best Offer.
No brokers • (215) 932-9108

SCRATCH & DENT SALE

High Tensile Galvaluma Steel

100% U.S. Made No Drilling Required

Military Spec. Quonsets
SAVE \$\$\$\$

20 x 30	40 x 60	55 x 120
25 x 40	45 x 72	60 x 150
30 x 50	51 x 96	70 x 200

Archway Steel Buildings
1-800-344-2724
Fax (412) 771-4191

SAMS
Society of Accredited Marine Surveyors®

Society of Accredited Marine Surveyors®
An International Organization of Professional Marine Surveyors

Use SAMS® Surveyors in your area
www.marinesurvey.org
1-800-344-9077

Boat For Sale

The last original 65' x 19' Navigator Hull built by Mike Bonner. Ready to be completed. Located in Pensacola, FL.
\$85,000 • Call Jerry @ 850-232-8252

60' x 16' x 4' Pilot/Crew/Launch

50' x 15' x 6' Pilot/Crew/Launch

Breaux 1991, Twin Cat 3406B Turbo w/Twin Disc MG 5114A. 24kW Genset, cold A/C, 800 gal fuel, 18 knot cruise. Asking \$189,500 Tampa, FL.

Completely rebuilt 12V-71 TA 530 HP 22 Knots, New props, shafts, rebuilt clutches on ZF gears. New paint bottom & topsides, Furuno electronics. Excellent condition, Try \$199K, New Orleans, LA.

For More Info & Pics
(251) 610-3111 or
Email: oceanicservicesllc@gmail.com

STEEL PIPE

NEW & USED STEEL PIPE

FOR: Piling, Spuds, Dredging, Ballards, Floats, Casing, Etc.

CURRENT SPECIALS

30,000'	8-5/8" O.D. x .188"/.500" wall pipe
15,000'	10-3/4" O.D. x .250"/.500" wall pipe
20,000'	11-3/4" O.D. x .534" wall pipe
40,000'	12-3/4" O.D. x .250"/.750" wall pipe
10,000'	16" O.D. x .250"/.500" wall pipe
15,000'	24" O.D. x .312"/.750" wall pipe
30,000'	36" O.D. x .375"/.750" wall pipe

Plus many more sizes!

Call Anytime on 2"-46" Dia pipe
DELIVERY ANYWHERE IN:
US/CANADA/MEXICO/CARIBBEAN

CRESTWOOD TUBULARS, INC
Phone: (314) 842-8604
Fax: (314) 842-9064
Toll Free (US) 800-238-7473
Email: info@crestwoodtubulars.com
www.crestwoodtubulars.com

MERTON'S

FIBERGLASS AND MARINE SUPPLY

- Complete hand lay-up fiberglass supplies for light & heavy fiberglass or wood boat repair & construction.
- Polyester, Epoxy, Vinylester Marine Grade Resins.
- Marine Topside Enamels & Antifouling Bottom Paint.
- Silicon Bronze & Stainless Steel Fasteners

Quality Brand Name Products

Competitive Pricing
All items in stock for
Immediate shipment

Online catalog
www.mertons.com

Call 800-333-0314

P.O. Box 399

East Longmeadow, MA 01028

Supplying Quality Products

To Boat Owners.

Hull Finishers & Boatyards for over 20 years

800-333-0314

MARINA EQUIPMENT FOR SALE • (305) 882-7000 • gwork@wejohnson-fl.com

2004 75 Ton Marine Travelift



with Remote in exc. cond. Late model 75 BFM11 metric ton cap., (165,000 lbs) w/lots of extras. (2) speed hoist, (2) speed drive, remote control. John Deere dsl engine 4045TF w/low hrs. Regularly serviced & maintained by authorized dealer. ICH: 26' ICW: 23' **\$269,000**

1997 Marine Travelift 25BFM



25 Ton Travelift with low hours (1600). Good condition. Top beam bolting flange to easily change size. I.C.W. 17', I.C.H. 18'. Reliable Ford 2.3L gas engine. Available Now. Disassembled and loaded. **\$68,500. O.B.O.**

35 Ton Boat Hoist



In good working order. Used every day by major national firm moving to larger hoist. ICW-20', ICH-18'.....**\$19,950**



2002 Linkbelt 2800 Marsh Excavator Presco

One Load, 6400 Hrs., A/C, Heat, 50' Reach, Excellent Condition. **\$180,000.00 • N.J. • (215) 624-2221**

PROCK MARINE COMPANY

Specializing In
Residential & Custom Docks, Commercial
Work, and Shore Stabilization,
Mainly Along the Coast of Maine
Barge Rental Also Available



Rockland, Maine
207-594-9565

www.prockmarinecompany.com

Central Boat Rentals, Inc.

Morgan City, LA

Ocean Barges: 180 x 54 x 12 260 x 72 x 16

Tank Barges: 10K & 30K bbl Double Skin

Ocean Towing

Barge Fleeting

Shipyard Services

(985) 384-8200

centralboat.com

- Anchors
- Barges
- Compressors
- Cranes
- Crew Boats
- Dredges
- Engines/Gears
- Ferry Boats
- Fishing Vessels
- Generators
- Landing Craft
- Passenger Vessels
- Propellers
- Ship Parts
- Tugboats
- Winches
- Work Boats
- Yachts/
- Pleasure Craft



Scruton Marine Services

Peggy or Mike Scruton

MARINE BROKERS

49 John Street

Port Dover Ontario,
NOA 1N7

Website:

www.scrutonmarine.com

Email:

sms@scrutonmarine.com

Ph: (519) 583-1636

Fax: (519) 583-2189

PROVEN RESULTS

A WINNING COMBINATION

THE ONLINE DIGITAL EDITION AND

OUR PRINT EDITION OF

BOATS & HARBORS®

Buy and sell anything connected to the commercial marine industry using our time proven print edition and the power of the internet!

To View Our DIGITAL EDITION or

Contact Us Online Go To:

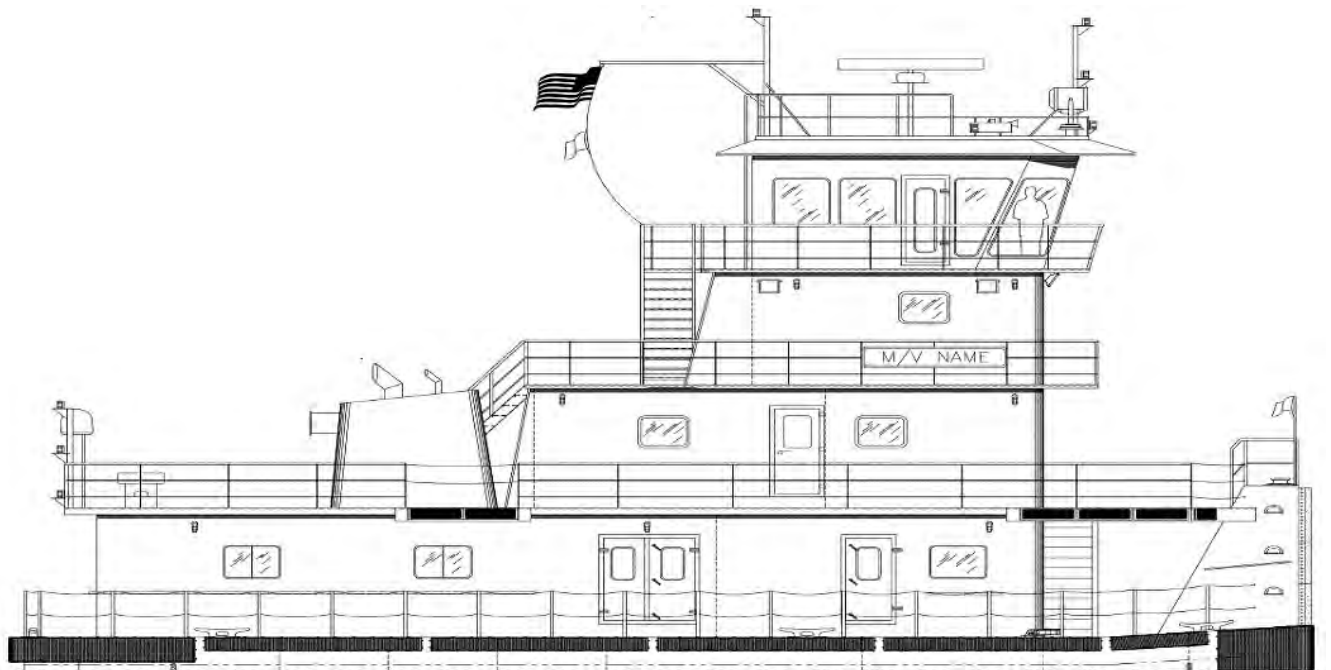
www.boats-and-harbors.com

For More Information Call:

(931) 484-6100

70' x 30'

Z-Drive - OR - Conventional



Built for Fleet Work

1" Plate On Headlog, Transom, Corners & Upper Side Plate

Caterpillar C32 Engines

ZF-5000 Z-Drives -OR- Sound Dominator Propellers

Aluminum Superstructure To Meet
Subchapter M Stability Requirements

Fuel 24,000 Gal, Potable Water 6,200 Gal, Lube Oil 1200 Gal

Currently Under Construction.
Place Order NOW For Delivery 1st Qtr 2017

Steiner Construction Company, Inc.

P.O. BOX 609 8690 Hemley Street

Bayou La Batre, AL 36509

251-824-2320

www.steinermarine.com steinermarine@yahoo.com

44' x 13' x 4' WORK BOAT • \$55,000.00



Former USCG MLB • Currently In Dry Storage • Twin DD 6V53's
2 VHF • Garmin GPS Map 7405 • Very Clean Inside And Out

Call (787) 723-0011 • operations@waterfrontpr.com

**Ocean Deck Barge For Sale
Direct From Owner**



File: DB31080 Ocean Deck Barge: 310' x 80' x 20.3' depth x 15.5' draft. Built 1986 by Bethlehem Steel. U.S. flag. GRT: 4,209. ABS + A1 Barge, Unrestricted. Five year docking completed May 2012. Dwt: 5,512lt. Lt Displ: 1,288lt. Deck Load: 1,200lb/ft2. Bulkheads: 2 long'l / 7 transv. Approx. 64' spoon bow & 60' square raked stern with twin skegs. Breakwater forward. Full technical details, class status, drawings & photos on request. For sale "as is, where is" out of competition. Inspection / Delivery: U.S. East Coast. Prompt

Marcon International, Inc.

Tel: 360-678-8880 e-mail: info@marcon.com Fax: 360-678-8890

www.marcon.com



WORLD LEADER IN ALUMINUM LANDING CRAFT



MUNSON & YAMAHA

A Winning Combination



WWW.MUNSONBOATS.COM

(360)707-2752 | jesse@munsonboats.com | 15806 Preston Place, Burlington, WA 98233



Detroit Genset - New / Unused

\$18,000

909/KW Cont.



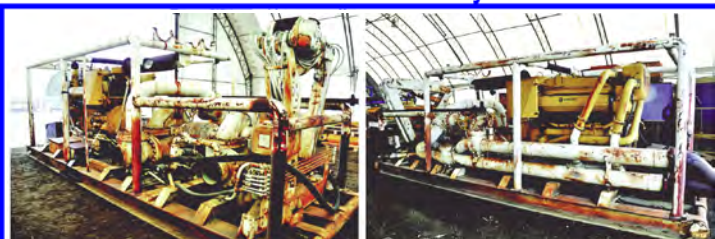
**2012 Cummins Genset / Triaxle Trailer
Only 3048/hrs. from new - 350/KW Cont.**

\$39,000



**Detroit Genset - 2005
350/KW Cont. - Low Hours**

\$20,000



CAT PUMPING UNIT

D348 low hr. engine c/w (2) of Gould 8" x 10", Model 3316 two stage, high head pumps. Pumps can be run separately or in tandem. 550' head max x 1200 GPM.

**Excellent for Floating
Dock Construction**

New unused HD Polyethylene Pipe

"Tite Liner"
I.D. 16.25"
O.D. 17.35"
Wall .532"



50% Discount

NEW Wire Rope

(3786') Coated - Unused
Excellent Condition

INVENTORY: (2) 2-1/4" x 360' (6) 2-1/2" x 156'
(6) 2-1/2" x 315' (4) 3-1/4" x 60'
(Includes Cable Ends)

New Approx. \$140,000

Lot Special \$25,000



(2) Detroit 12V71N
(1) Detroit 8V71T

LOW HOURS - INCL. WARRANTY



**Cat Power Unit
3406A - \$5,000**

**SPECIAL
(10) Cummins
QSK60
Running Engines
\$25,000/ea**



ASEA Synchronous
10,200 H.P. Motor



New 3500 H.P.
G.E. Synchronous Motor
Model #131151 - RPM - 276.9

Pro-Ex

Email: sales@pro-ex.com Website: www.pro-excanada.com
Ph: (780) 459-8181 • Fax: (780) 459-8199
Toll Free: 1-800-256-0871

**100' LIVE ABOARD
DIVE BOAT**



(2) 12V 2000 MTU • (2) 50KW Gen.
3200 Gal. Fuel • 1200 Gal. Water

\$375,000.00

Current COI & Dry Dock
Recent Engine Survey

Can Be Viewed At:
www.ultimategetaway.net
(239) 466-0466

BOATS & HARBORS

IS

**"THE" MARKET PLACE
FOR THE MARINE INDUSTRY**



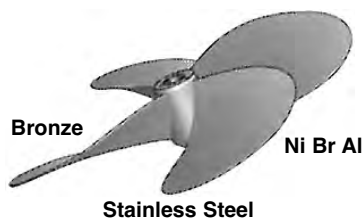
Marine and Construction
Equipment for Sale
Tarrytown, NY

www.tappanzeesales.com



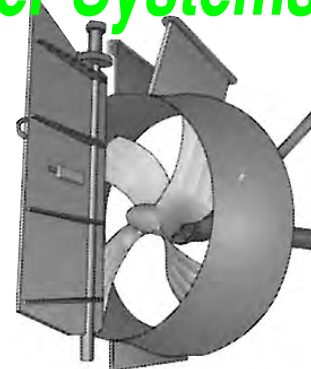


Propellers, Nozzles, Triple and Flap Rudder Systems



Hydrodynamic design with specially skewed propeller produces **LESS DRAG, LESS VIBRATION, and LONGER LIFE** for your nozzle!

New Rice Flap Rudder System. Decreases turning radius by 70% when compared to conventional rudders. A minimum of 5% reduction in fuel consumption. Reduced traveling time even with large loads. Typically pays for itself in two years



Rice Thrust Nozzles also available
8 to 13% more bollard pull
8-10% more free running speed • 8-12% fuel savings
Custom designs available



- brass
- aluminum
- stainless steel
- fixed or opening
- bolt-in or weld-in
- with / without cover
- with / without screen
- 10 to 18 inch diameters

Why not call?

PORTLIGHTS

FREEMAN QUICK-ACTING HATCHES



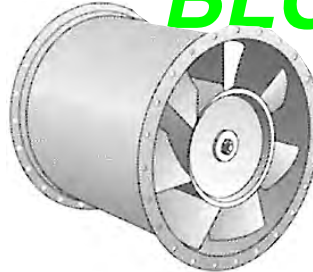
- 31 standard size covers
- custom hatches available
- flush - raised
- oval - round - square
- liftout - hinged - concealed hinge



CUSTOM OPTIONS

ring type ... mechanism type ... handle style ... hinges ... escape handles...
gaskets ... finishes ... composite installations

BLOWERS



MARINE TUBEAXIAL FANS MAN & PRODUCT COOLERS

- diameters from 12" to 60" (or more)
- housing gauges from .105" to .25"
- flow rates from 2380 to 224,506 cfm
- static pressure performance up to 4"

Tell us the performance you need from your next blower purchase and let us pleasantly surprise you ...first with the price and then with the quality.

Is it time

to replace your old BUMPERS ?



FENDERING

available in almost any shape or size

SEWAGE TREATMENT

TYPE II MARINE SANITATION DEVICES

IMPROVED USCG & IMO UNITS AVAILABLE

- low maintenance
- outstanding size / performance ratio
- modular design creates flexible installation options
- non-corrosive materials
- reduced operating costs
- significant weight savings

Models range in capacity from Up To 11,160 gallons per day.

MARINE DOORS

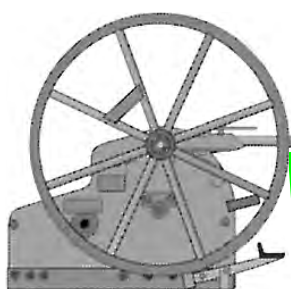
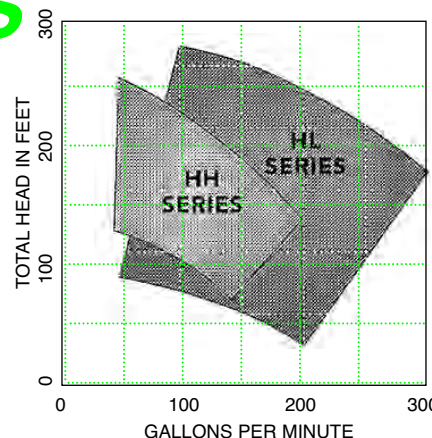
- watertight
- weathertight
- gas/fume tight
- joiner
- quick-acting
- individually-dogged
- radius or mitred corners
- insulated - hollow - solid
- single , french, or dutch panel
- steel - aluminum - stainless steel



NEW!

PUMPS

Imagine at 60 PSI getting 300 GPM from a high head self-priming pump! Available in 3-20 horsepower. **GREAT FOR FIRE & BILGE!**



NABRICO WINCHES

- Manual
- Electric
- Hydra-Electric
- Barge moving

Why not call?



SCUTTLES DOORS HATCHES

in stock & custom • standard & ABS construction individually dogged • quick-acting

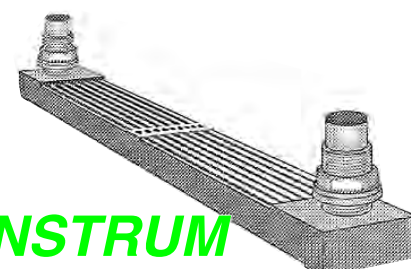
NOW INSPECTING AND SERVICING INFLATABLE LIFE RAFTS



It's just a call...



FERNSTRUM GRIDCOOLERS



CALL FOR OUR NEW CATALOG "WE SHIP WORLDWIDE!"

"WE SHIP WORLDWIDE!"

HULL:

- Anchors
- Bumpers
- Gridcoolers
- Hull Anodes
- Propellers
- Nozzles
- Shaft Bearings
- DECK:
- Bitts

- Blocks
- Chocks
- Doors
- Gangways
- Hatches
- Kevels
- Manholes
- Scuppers
- Scuttles
- Winches

ENGINE ROOM

- Air Compressors
- Battery Boxes
- Blowers
- Separators
- PUMPS:
- Custom Packages
- Call us with your performance needs & we'll provide it!

PLUMBING:

- Sewage Treatment
- Type-I MSD's
- Type II MSD's
- Strainers
- Skimmers
- Toilets
- Valves
- Watermakers
- Water Purifiers

GALLEY:

- Air Conditioners
- Faucets
- Freezers
- Oil-free Fryers
- Ovens
- Ranges

- Refrigerators
- Sinks
- Beds
- Desks
- Lockers

SAFETY:

- Distress Signals
- Dock Boxes
- EPIRBs
- Fire Extinguishers
- Fire Nozzles
- Immersion Suits

- Ladders
- Life Preservers
- Life Rafts
- Lights
- Radar Transponders
- PILOT HOUSE:
- Clearview Screens
- Compasses
- Controls

- Fans
- Heaters
- Portlights
- Steering Wheels
- Windows
- NAVIGATION:
- Airhorns
- Bells

- Lights
- Searchlights
- COATINGS
- new Ceramics
- fire coatings
- insulators
- Super Therm

1-800-725-3787 • (504) 525-7137 • Fax: 504/525-6303
www.brtmarine.com

HYDRO-SLAVE

★ SAME DAY SERVICE ★

QUALITY MARINE HYDRAULIC EQUIPMENT

STANDARD BOOM WINCH



SPECIFICATIONS

PULL - EMPTY SPOOL - 24 CID MOTOR
 12 GPM @ 1500 PSI - 3580 LBS
 12 GPM @ 2000 PSI - 4730 LBS
 PULL - FULL SPOOL - 24 CID MOTOR
 12 GPM @ 1500 PSI - 1375 LBS
 12 GPM @ 2000 PSI - 1813 LBS

BRAKE BOOM WINCH

WIRE CAPACITY

5/16" WIRE - 321 FEET • 3/8" WIRE - 223 FEET
 1/2" WIRE - 125 FEET



Available in Both Powder Coated Steel and Stainless Steel

BUY THE BEST - BUY THE ORIGINAL BUY HYDRO-SLAVE

HYDRAULIC PUMP WITH ELECTRIC CLUTCH

2 Bolt B Auxilliary Drive Assembly

2 BOLT B 13 TOOTH MOUNTING FLANGE

- Precision Machined Aluminum 2 Bolt B Mounting Flange
- Precision Machined Steel Pump-Clutch Mounting Bracket
- 250 Ft. Lb. 2 Bolt B 13 Tooth Clutch
- 25VQC High Performance Vane Pump 2 Bolt B 13 Tooth Spline 21 GPM @ 3000 PSI, 1200 RPM
- Dimensions: 13" Long, 8-1/2" Wide



THIS ASSEMBLY IS SUITABLE FOR INSTALLATION ON ANY 2 BOLT B 13 TOOTH DRIVE ADAPTER SUCH AS A TWIN DISC OR ZF TRANSMISSION

WORLD'S LARGEST POT HAULER MFG. FOR OVER 40 YEARS

For more information call: 1-800-747-7550 or visit us on the internet: www.marine-hydraulic-engineering.com

MARINE HYDRAULIC ENGINEERING CO., INC.

17 Gordon Drive Rockland Maine 04841 Fax: 207-594-9721
 Email: marinhyd@midcoast.com



BLACK-EYED SUSAN
 149 Passenger Sternwheeler



FORT WARREN
 150 Passenger Charter Yacht



CATFISH BEND
 1,389 Passenger Paddlewheeler



SPIRIT OF DUBUQUE
 275 Passenger Sternwheeler

Call for specifics on these and many others.

You manage your marine business.
 Delegate the rest to us.

PINNACLE MARINE CORPORATION

New & pre-owned.
 608/788-3210 • FAX 608/788-3227
 E-MAIL: info@pinnaclemarine.com
www.pinnaclemarine.com



Gears For Sale

Twin Disc Ratio 1:2. One has 3,300 hours on it, still very good condition.
\$9,000 OBO
 (907) 435-7230



150' Supply Boat

With current COI / load line, subchapter I cargo, with ramp, CAT 398, John Deere generators, 2 cranes. \$750,000 lease / owner financing available if buyer has collateral.
www.tridentllc.net • tridentllc@me.com

Cruise Ship Passenger Gangway System



P.A.G.S. By FMT Model 04-904
 Service date 10/2008. 200 hours, 480v w/12.6 KW genset. All new Hyd's in 2013. Spare parts package. Like New Condition. Located at PORT of HOUSTON. Disassembled and ready to ship.
 Contact: wateradzsales@gmail.com
 In Texas @ (713) 501-0516

Looking for Marine parts?

Save time and money!
 We will find marine parts from around the world including engines, generators, & oil platform cranes.

OVER 25 YEARS EXPERIENCE



MyMarineTracker.com
 Marine Purchasing Services

1-866-717-2053
 or 608-783-2766



CALL FOR PRICING

Johnson Stevens
 (843) 889-2254 Office
j.stevens@stevens-towing.com

For over 100 years, Stevens Towing has conducted business in marine towing, barge charter, and marine repair. Located 25 miles south of Charleston, SC, (mile marker 490 ICW) the shipyard is equipped with 2 Marine Railways, a 150-ton Marine Travel Lift, as well as 500' of dock space for topside marine repairs.

Equipment For Charter

Deck Barges

- (3) 120 x 30 x 7
- (2) 120 x 33 x 10
- (1) 150 x 55 x 8
- (1) 162 x 52 x 10
- (1) 175 x 39 x 9
- (1) 260 x 50 x 10.5
- (1) 250 x 54 x 13 ABS

US FLAG JONES ACT SHIP "M/V Coastal Venture" For Charter

Length Overall: 247' • Draft: 11'
 Speed At Sea Loaded: 12 KTS • GT: 497
 Capacities: Hold 1 Cubic Capacity 8,640 FT+, Hold 2 Cubic Capacity 30,800 FT+, Hold 3 Cubic Capacity 45,760 FT+.
 Capable of carrying a wide variety of cargo from Break Bulk to Containers as well as Hazardous Goods Class 1-9



Equipment For Sale

Hopper Barge

- (1) 260 x 52.5 x 12

Crane Barge

- (1) 199 x 52 x 14 w/ 28 ton Crane at 90' Intercon Hydraulic Crane w/Cat Engines



Cranes

We have two 500 ton barge mounted cranes that are strategically placed in Savannah, GA and Charleston, SC. These cranes have the ability to move via the Intercoastal Waterway or Offshore to any job. We also have a barge mtd Clyde 32 which is a rotating 140 ton crane at 45ft.

Savannah Giant

Crane Capacity: 500 Tons
 Barge Dimensions: 180' x 80' x 10'

Ocean Ranger

Crane Capacity: 500 Tons
 Barge Dimensions: ABS 200' x 72' x 14'

Stevens 1401

Crane Capacity: 140 Tons
 Barge Dimensions: 142' x 58' with spuds

Stevens Towing Shipyard

Railways

We Have Two Large Marine Railways With A Weight Capacity Up To 1650 ST And Dimension Up To 300' Long x 80' Wide.

Travel Lift

Weight Capacity: 150 ST • Length Unlimited x 37' Wide

STEVENS TOWING - A RESPECTED NAME IN THE MARITIME INDUSTRY FOR OVER 100 YEARS.

Custom Aluminum Construction



Derecktor - Built for the future.

Now Featuring Hybrid Propulsion Designs

Clean, efficient, reliable power for those operators looking for quieter vessels, and who are concerned about the marine environment.

Call James Brewer at (914) 414-1323
 or visit www.derecktor.com

DERECKTOR

NEW YORK + FLORIDA

SINCE 1947.

GSA Contract Holder

FOR SALE



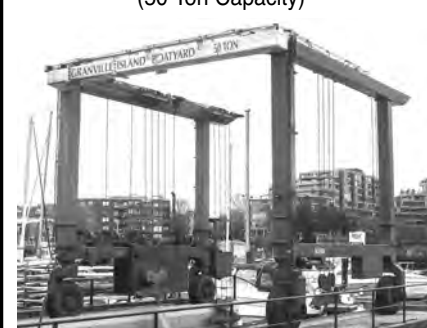
**Twin Screw 3,300 HP
Model Bow Coastal Tug / Ship Docking
Exc. Cond. - Price Reduced
Call (443) 324-6457**

FOR SALE



Blt 2002, 500K. 180' x 42' x 5' Spud Barge
With 2 New 100KW Gensets.
2,500 Gal Fuel, Potable Water.
Ready for Quarters, Crane or Whatever.
(985) 380-8246
smithsuntow@gmail.com

**Marine Travelift - 50 BFM
(50 Ton Capacity)**



1992, 20' ICW with 4' Top Beam Spacer, 22' ICH with 2' Column Spacers. 2 Speed Hoist, John Deere Diesel, Hydraulic Jib Crane. Available February 2017. 4,000 hrs., Great Shape. Call For Pricing.
Kendrick Equipment
dave@kendrickequipment.com
(866) 744-9921

Cashman Equipment Corp.

Equipment for *Sale or Lease* in the Pacific Northwest

**Manitowoc 999 Series / 3 Crane
200' Boom 100T & 15T Block (Built 2002) - \$950,000**

**150' x 60' x 8' Crane Barge (Built 2013) - 2 Available
\$1,200,000 Each**



See More Equipment For Sale or Lease at www.4barges.com or Contact Derek Disch at ddisch@4barges.com or +1-781-506-6000

OFFICES AND FLEETS LOCATED WORLDWIDE
USA - MEXICO - SOUTH AMERICA - CANADA - MIDDLE EAST - EUROPE
ASIA PACIFIC - SINGAPORE - AFRICA - CASPIAN SEA

**80' x 21' x 8' Barge
For Sale or Rent/Lease**



In good condition & ready to work. Barge has holes for 4 spuds up to 10" and 2 on board now. There is a 20' x 12' ramp on one end of the barge for loading & unloading. The barge is sectional and has 8 10' sections.
To Buy: \$43,500.00 • If interested in rental/lease Call: (910) 443-8172

119' Navy Landing Craft



\$700K + In Recent Upgrades.
200T Cargo Capacity. Excellent Condition.
Very Shallow Draft - 3'9", Freshwater Docked,
Fresh Rebuilds, Electronics.
**Location - US Gulf • \$900K
(228) 918-6090
gulfstreamcorp.com**

65' GILLIKIN



2-871's, Port Rebuilt 2010, Starboard 2011, New 16kw Gen in 2012, Refastened By Gillikin '07, New Fuel Tanks '09, New Hydraulic Hauler System '09, Full Electronics, COL 65 Pass.
**Must Sell! • Bring All Offers!
\$65,000 Neg • (732) 615-7531**

**"Class A" AIS Closeout
Only \$1,199**



AISLink CA1
Class A Automatic Identification System

The AISLink Class A is ACR's premium AIS transceiver. With a feature-rich design, the Class A AIS demonstrates the highest AIS transmission power and the most frequent transmission of AIS information. The transceiver is approved worldwide for both deep sea and inland waterways and features an easy-to-use multilingual graphical user interface.

ACR

**This and many more deals available at
www.BOEmarine.com | 866-735-5926**

CLOSING DATES • THIRD DECEMBER ISSUE
(To be mailed December 19th)
FOR DISPLAY December 14th **FOR CLASSIFIED** December 16th
(9:00 A.M. C.S.T) (1:00 P.M. C.S.T)

PC Industries
www.powerlinecomponents.com

Specializing in Detroit Diesel 2 Cycle Engines

Complete Line of Remanufactured Subassemblies
Blowers, Con Rods, Cylinder Heads, Injectors,
Fuel Pumps, Oil Pumps, Water Pumps and More!



Large Inventory of New Parts
Pistons, Cylinder Liners, Ring Sets, Gasket Sets, Bearings

KTI
Kocsis Technologies, Inc.
North West Distributor
Kocsis Hydraulic Starting Systems

**New Water Cooled Exhaust Manifolds & Accessories
for Caterpillar, Cummins & Detroit Diesel Engines**






PC Industries, LLC
1088 N. Washington, P.O. Box 490
Afton, Wyoming 83110 USA
Phone # (307) 885-4724
Fax # (307) 885-3215
Toll Free # (877) 885-4724

**Remanufactured & Dynamometer
Tested Detroit Diesel Engines**

**97' x 32' - ABS • YR: 2008
TWIN SCREW TUG - OPEN STERN
49' HEIGHT OF EYE LEVEL • 3000 BHP
OCEAN TOWING - ALL PARTS OF NORTH,
SOUTH AND CENTRAL AMERICA**

SEEKING CHARTER

SMITH PREDATOR



Vessel Description: Cat 3512 B Main Engines, 55 KW Northern Light Generators. MARKEY TD 28 Double Drum 200,000 Line Pull Winch. 60,000 Gal. Fuel Capacity.

**75' x 28' - YR: 2002 • TRIPLE SCREW TUG
49' HEIGHT OF EYE LEVEL • 1800 BHP
OCEAN TOWING - ALL PARTS OF NORTH,
SOUTH AND CENTRAL AMERICA**

SEEKING CHARTER

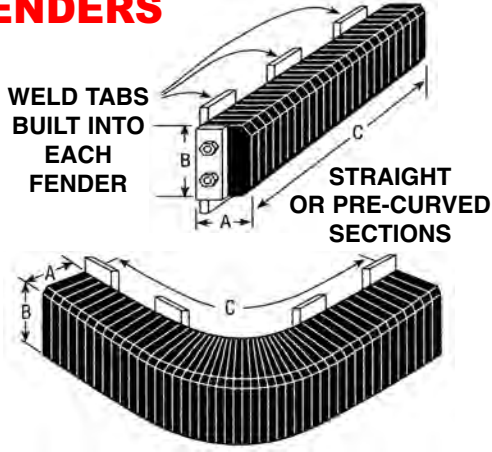
CAPTAIN SAM



CAT 3412 Main Engines, 45 KW Northern Lights Generator. Intercon DD Double Drum 125,000 Line Pull Winch. 36,000 Gal. Fuel Capacity.

**For More Information Please Call:
(985) 631-9420**

WELD-ON D-GUARD FENDERS



SIMPLY POSITION AND WELD - NO FAB REQUIRED

1 1/4" RODS PART NO.	DIMENSIONS		
	A	B	C
SR114D 0606	6"	6"	12"
SR114D 0609	6"	9"	
SR114D 0707	7"	7"	to
SR114D 0808	8"	8"	
SR114D 0810	8"	10"	240"
SR114D 0909	9"	9"	
SR114D 1010	10"	10"	

3/4" RODS PART NO.	DIMENSIONS		
	A	B	C
SR114D 0404	4"	4"	12"
SR114D 0405	4"	5"	
SR114D 0406	4"	6"	to
SR114D 0408	4"	8"	
SR114D 0410	4"	10"	240"
SR114D 4510	4.5"	10"	
SR114D 4512	4.5"	12"	
SR114D 0606	6"	6"	240"
SR114D 0610	6"	10"	
SR114D 0612	6"	12"	

16901 Wood-Red Rd.
Woodinville, WA 98072
1-800-426-3917
Fax: 425-488-2424
sales@schuylerrubber.com
www.schuylerrubber.com



1036 Vicky Lane
Broussard, LA 70518
1-866-347-9445
Fax: 337-321-4276
sales@schuylermaritime.com
www.schuylermaritime.com



FOR SALE BY OWNER
Blount Built
Dinner Cruise Vessel



Launched New In 2000 • Overall Length & Beam 161' x 41' • Gross Tonnage: 96
Current COI For Up To 570 Passengers
This Vessel Has Been Operating In Fresh Water On The Potomac River Since 2005
Hull, First And Second Deck Are Constructed Of Steel
Decks Three And Four Are Constructed Of Aluminum
State Of The Art Design With High Ceilings & Constructed Without
Any Upright Interior Columns
2 - 16V92NA Main Engines With ZF Marine Transmissions
2 - 240 KW Spectrum Generators With Load Sharing
1 - John Deere Bow Thruster
Vessel Will Be Available April 2017

• Owner May Consider Possible Lease Or Partial Financing If Qualified •
For More Information Or To Schedule An Appointment To View The Vessel
Call: (516) 924-7120

(3) EA. 55' Derecktor Ex-USCG Workboats



All three boats are a matched set and are in good operational condition. Surveys Available.
For more information please contact Mike Majewski 850-221-5138 or majewski4@bellsouth.net • For photos please go to www.kclmsales.com

1984 - 75' LYDIA
Turnkey Operation w/6 Year Business
• \$475,000 •



Twin Diesel 8V92's, (2) 30 Kw Northern Lights Gensets. Glass Layered Over Mahogany Planked Hull. Recent CG Documented Bow & Pulpit Replacement. Lower Climate Controlled Cabin. Seating For 70 w/ (2) Marine Aire Units, Open Air Upper Deck w/Full Service Bar. (2) Full Heads w/Electronic Controlled Toilets. Recent USCG COI & Professional Survey. Certified For 136 Pass., Near Coastal. Currently Working Daily In SWFL, Public Dolphin & Sunset Cruises.
Call: Capt. Dan Heselton • (239) 940-4533 • Dan@fortmyersprincess.net

CLOSING DATES • THIRD DECEMBER ISSUE

(To be mailed December 19th)

FOR DISPLAY December 14th (9:00 A.M. C.S.T) **FOR CLASSIFIED** December 16th (1:00 P.M. C.S.T)

FOR SALE
M/V HORIZON'S EDGE



MOTIVATED SELLER

• Price Reduced •

Length: 161.3' (registered) - LOA: 186'
Year Built: 2000

For more information visit

www.horizonsedgeboston.com or contact

Owner's attorney David S. Smith at 978-744-8918

41' Crew Boat



COI for 24. Boat was rebuilt in 2011. Tier 2 John Deere, 330hp each. Generator, two A/C, rear station, fresh paint and COI, current survey.
\$275,000.00 • (228) 297-5992



Seaward Fenders For Sale

3' dia. to 10' dia. Various conditions, 30 to pick from. Made with closed cell foam, will not sink. All must go! • (757) 630-9022

2012 CORINTHIAN 45'



USCG licensed, 49 + 2, Twin 225 HP Suzuki 4 stroke, Head, Custom aluminum ramp, VHF PA, Hailer, GPS, Depth Sounder, Fortress Anchor, Full USCG package, many extras.

Vessel is in Excellent Condition
\$225,000 Firm
(252) 876-2288

A & D SHIPYARD
BROOKLYN NY
718-404-4285 (HAUL)



7
1
8
4
0
4
H
A
U
L
Brooklyn's
First
120 Ton Lift
Servicing
Your Complete
Shipyards Needs
Hauling
Painting
Welding
Shaft & Prop Work
50 Years of Experience

SunCruz VII
Casino Vessel For Sale



Name Reserved: Yes Ex-Name Diamond Royale, Andrew Fletcher
Manufacture: Offshore Shipbuilding, Inc. • Model Year: 1985 • MFG. Year: 1985
Boat Type: Casino Vessel • Boat Is: Used • Length Overall: 184' • Beam: 40'
Weight (Displ): Gross tons ITC: 1,314 REG: 99 / Net tons ITC: 413 REG: 67
Hull Material: Welded steel • Hull Configuration: Traverse
Speed (knots) Cruise@ RPM 10 Speed (knots) Max@RPM 10 Fuel Tank (Gal / Mtrl) 7,500 total gal.
Certification and Class: K Class

Boat just had \$327,000.00 worth of work done by the Detyens Shipyards. At time of work the boat was seized by the U.S Marshal's office for taxes. The boat is sail-able per U.S Coast Guard. The keel and hull below water line have been repaired. The decks and pilot house need some blasting and painting. The boat has around 175-180 Slot machines, 20 Black jack tables, 4 Roulette wheels, 2 Craps tables and 2 Texas holdem tables. There are three bars on board. The ship has set for the last eight months so it needs to be cleaned out... The main propulsion is (2) 3812 CAT motors which are working, also the generators are 3408 CAT motors (3).

Can be viewed any time with appointment in the port of Charleston, SC, USA

Price: \$395,000.00

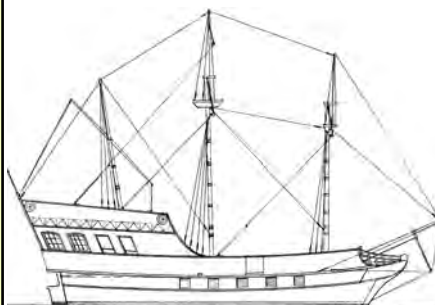
For More Information Call: Mike Bruce (864) 270-4945

1000 HP Push Boat For Sale



56' x 23' x 8'. Fully Restored September 2016. Mitsubishi S6A3, less than 500 Hours. Flanking Rudders and Tow Line Capable. 30' Height of Eye with Fleet Deck. Full Electronics. Subchapter M Ready.
\$510k or Available for Crewed Charter
More at www.BourgMarine.com
Or Call 504-559-8414

NEW BUILD STEEL PIRATE SHIP
54' x 17.33' BEAM



76 PASSENGERS
TWIN DIESEL
\$699K TURNKEY
CALL DAN (727) 432-9888
FOR MORE INFO

45 TON NORTHWEST 50D
CRAWLER CRANE / DRAGLINE / CLAM



GM6V71 Diesel, Env. Cab, Air Controls, Power Load Lowering, Tracks 15'4" L x 13'2" W w/30" Pads, 100' Angle Boom, Hook Block, Rear Folding Gantry, External Removable Counterweight - 18,000#, Full Revolving Fairlead, Machine Weight - 91,140#. Completely Operational.
Price: Located In West Palm Beach, FL
\$28,500.00

Harold Howell Const. Equip. Co.
Ph: (561) 744-5091 • Fax (561) 743-0915
www.haroldhowell.com • hh@haroldhowell.com

90 Passenger
Dinner Party Boat
65' (74' Overall)



1995 Navigator • \$499,000

This boat is in excellent shape inside and out. Many upgrades, just had all Coast Guard inspections and recent survey. She is ready for service nightclub atmosphere, and bar top deck and lower deck has buffet bar inside with tables & chairs with A/C.

Jim Richards (713) 419-1553



FOR SALE - 2015 TRUCKABLE PUSH / TUG • \$69,900.00

25' 9" L, 14' 1/2" W, 6' Hull Depth, 14' Line of Sight, 3 1/2" Shaft Tube, 300 Gal Fuel Capacity, Keel Cooler, All 5/16 plate painted in and out, **C9 Cat Available for \$29,000.** For more photos see: <http://www.oakdaleyacht.com/sales/used-boats/>

For Information Call: (631) 589-7779

PASSENGER VESSEL

ASKING \$3,950,000

FOR SALE, LEASE OR JOINT VENTURE
OWNER WILL CONSIDER FINANCING

The M/V Deacon is an 120' x 43' all aluminum vessel designed to transport 250 passengers at 30 knots. The swath design provides dramatically better ride in high seas than a mono-hull or a catamaran vessel.

How does the swath compare to a conventional vessel? Watch our online video.

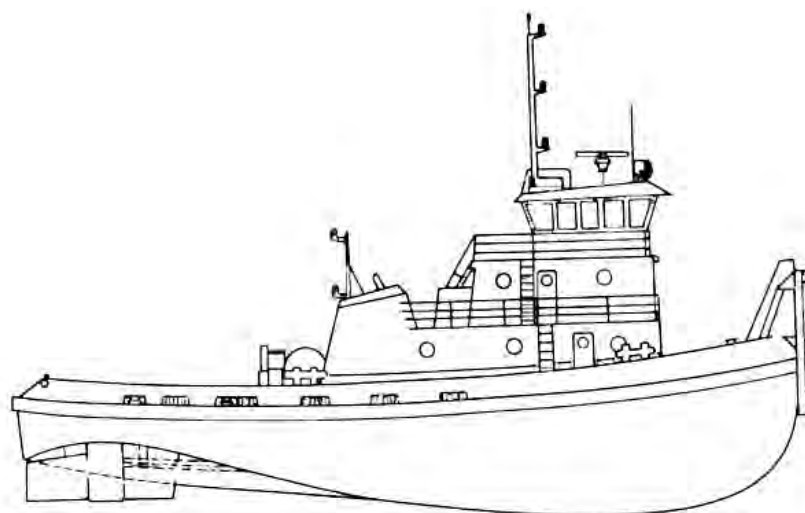


Possible Uses:

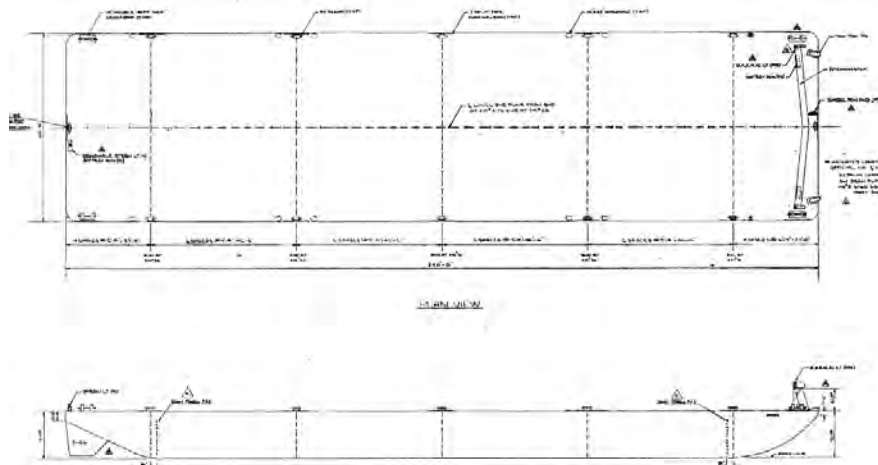
- Crew Boat • Yacht • Dinner Cruises
- Whale Watching • Research Vessel • Casino
- Military • Passenger Ferry • Seismic Vessel
- Live Aboard Dive Vessel • Dive Support Vessel

www.mvdeacon.com or Daniel Haines at 985-631-2628 or daniel@hainescompanies.com

U.S. Flag Tug & Barge For Sale
Direct From Close Owners



File: TG21090 Tug - Twin Screw: 90' x 32' x 11.2' depth x 6' light x 8.5' loaded draft. Built 1982 by Dakota Creek Industries.; Anacortes, WA. U.S. flag. GRT: 147. ABS +A1 Towing Service +AMS exp. Mar 2019. Docking due May 2017. Annual overdue Mar 2016. Laid up in active class. FO: 60,000g. FW: 4,000g. Smatco single drum winch. Wire Capacity: 1,900' x 1.75". Main Engines: 2 x CAT 3512 total 2,110HP. Twin Disc 6.18:1 gears. 4-blade FP props in kort nozzles. Bowthruster. Bollard Pull: 24T. Gensets: 2 - CAT 3304. Steel hull with aluminum house.



File: DB24016 Deck Barge - Ocean: 240.0' x 60.0' beam x 15.0' depth x 11.9' draft. Built 1981 by FMC Marine; Portland, OR. U.S. flag. GRT: 1,856. Class: ABS + A1 Unrestricted Deck Cargo Barge. Laid up in active class. Docking overdue Mar 2016. Special Survey due Apr 2018. Deadweight: 4,300st. Bulkheads: 1 long'l / 5 transv. 27' bow & stern rakes with skegs aft. Breakwater forward. Wooden wear deck.

Call for prices, further technical details and to arrange inspection.
Inspection / Delivery: U.S. West Coast. Prompt.

Marcon International, Inc.

Tel: 360-678-8880 e-mail: info@marcon.com Fax: 360-678-8890
www.marcon.com

WWW.PACIFICBOATBROKERS.COM

BUYING OR SELLING?

WHAT ARE YOU DOING WITH YOUR VESSEL?

List your vessel with us today... for free

Our website is viewed by thousands daily. Buying? We have hundreds of vessels to choose from.

THIS MONTH'S FEATURE

CAMPBELL MARITIME, INC.

USA Based Company
The owners of Campbell Maritime hereby offer the company, with all assets, including tugs, support equipment, client base, and existing contracts, for sale as a turn-key package.



Stock #BOP4912 • \$750,100.00 (USD)

U.S. Office: 360-332-9526 • Head Office: 877-448-0010
Email: sales@pacificboatbrokers.com

53' EXCURSION BOAT



USCG Inspected • Current COI
Licensed for 126 Pax • 3 Crew
Detroit Diesel • Isuzu Genset
2 Decks, 2 Heads, Bar Cooler.

Built for Great Lakes use.
Currently charters for tours, parties, weddings, events.

Contact Bill at (989) 233-4424 or bill@baycityboatlines.com

3,000 HP PUSHBOAT



\$1.79 Million

Contact: (850) 255-5266
cgonsoul@gmail.com
www.mbbrokerage.net

BEAT THIS



Beat This Against Your Barge
Tough Self-Bailing Steel Workboats
Good Steel Boats Made For Work!
www.AMERICANWORKBOAT.com
(508) 264-6863

ELLICOTT 370HP



Ready For Work - New Pump,
Gear Box, Service Water Pump
Has a 20' Dredging Depth
Newly Painted
Priced to Sell - \$195,000
Cape Mining • (609) 374-2995 - NJ

Push Boat Ex Navy 35'



14' beam/3'10" Draft. 2-671 w/Twin Disc @ 3.52:1. Survey available. West Coast.
\$33,500.00 • (925) 787-8604

"Fishers make the most powerful and ruggedly constructed underwater metal detectors you can own"



Jack Fisher, Founder



Diver Mag 1

Diver Held Mag \$9,495



Pulse 8X Underwater Metal Detector Only \$2,395



Fishers Pulse 6X and 8X detectors detect all metals, on land and underwater. Their Diver Mag 1 is a super sensitive detector for iron/steel targets and works above and below water. All are built for commercial operations and have audio and visual readouts.

Interchangeable coils for Pulse 6X & 8X make them extremely versatile.

Call for a free catalog or visit our website: www.jwfishers.com



MC-1

Mini Camera \$2,095



Sub Bottom Profiler

\$18,995



Proton 4 Marine Magnetometer

\$12,995



Side Scans

From \$20,995



ROVs

From \$20,995



PT-1

Pipe Tracker \$3,995

1953 County St., E. Taunton, MA 02718 USA • (800)822-4744 (508)822-7330 • FAX: (508)880-8949 • email: info@jwfishers.com • www.jwfishers.com

5 MILLION LBS. IN STOCK RENT - SELL - LEASE - TRADE

Anchors, Chain, Buoys, Yokohamas, Sea Cushions, Wire Rope and Fittings, Deck and Dock Hardware, Oil Boom, Towing and Salvage Equipment

NEW
USED
A.B.S.



Anchor Marine & Industrial Supply, Inc.

P.O. Box 58645 Houston, TX 77258
1-800-233-8014 24 Hour Service
(713) 644-1183 Fax: (713) 644-1185

WEBSITE: www.anchormarinehouston.com
email: sales@anchormarinehouston.com

DURABRITE MARINE LIGHTS

The most reliable light on the water! DuraBrite Lights are the only true replacement LED for 1000 to 1500 watt lamps and operate on 80% less energy. "Spotlight" and "Flood" facing options. Military grade. Marine, Military, Solar, Industrial and Commercial applications. The brightest & most efficient LED, period!



CALL TODAY: (754) 212-4892
Email: sales@blueoceantackle.com
WEB: BLUEOCEANTACKLE.COM
MADE IN THE USA / 5-YEAR WARRANTY
BLUE OCEAN TACKLE INC

GREAT DEALS. BUY NOW!



2005 GENERAC SD0030, Ref #MPR049, 77 Hours, 30kW, 277/480V, Serviced, Load Tested \$8,000 USD (CA)



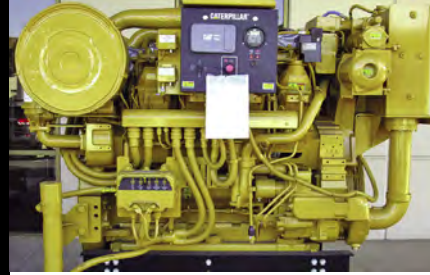
2010 Cat XQ100-6, Ref #MPR009, 5044 Hrs, 100kW, Serviced, Load Tested, CARB Permitted..... \$29,700 USD (CA)



1984 Cat Marine Transmissions 7241, S/N: 39E528 & 39E534, 1175 HP at 1800 RPM Continuous \$18,000 Each USD (CA)



2012 Cat APS150, Ref #MPR014, 3930 Hrs, 150kW, Load Tested, CARB Permitted, Serviced..... \$49,000 USD (CA)



2008 Cat 3508B DITA SCAC, S/N: S2A00148, 915 BHP/600kW, Engine Only, Like New..... \$109,000 USD (CA)



2010 Cat XQ2000, Ref #MPR030, 1900 Hrs, 2000kW, Load Tested, CARB Permitted, Serviced \$455,000 USD (CA)



Mark Reza 858.376.6840
mreza@hawthornecat.com
www.hawthornecat.com



Custom Mini Towboat



28' L x 8' W. Built in 2004 to owner's specifications. Built by Kann Mfg. in Guttenberg, IA. Boat includes closed cooling Merc cruiser 220 hp with cabin heat, Merc. Ill heavy duty out-drive with only 455 hours. Includes trailer!

\$65,000 Firm • (319) 752-1877
timpowell319@q.com

40' x 12' TUG BOAT



Mostly Freshwater Use. Detroit 671, Air Shift Transmission. Cambridge, MD.

\$30K OBO • (443) 521-7748

BARGES FOR RENT



Sectional Barges • Located In Florida
40 x 10 x 5 & 60 x 11 x 4

Contact: (305) 965-8852
Email: barge@bargerent.com

FOR SALE OR LEASE PURCHASE

OWNER FINANCING AVAILABLE



M/V "Henrietta III" 165 x 34 x 7 Steel hull, 518 pass. USCG certified, current COI, Twin Cummins 855's, Twin 290 kw gen. Seats 475 plus for inside dining. Vessel is in excellent condition. Located Troy, NY in fresh water. Turn key ready to go. \$900,000.00

Lease/Purchase \$12,000/Mo.
(518) 470-5208 • (518) 270-1901
captainjp.com

**If It's Not
In The
YELLOW SHEET®
You Don't Need It**

**MARINE PILOT HOUSE
CHAIRS**

Adjustable
Swivel Seat
Aluminum
Inland and
Offshore
Bases
\$740.00
F.O.B.
Port Arthur, TX



Texas Wheel Works, Inc
PO Box 1276 • Port Arthur, TX 77641-1276
PHONE: (800) 238-9402
FAX: (409) 984-5690

**119' x 34' Army
LCU Landing Craft**



180 Ton Deck Capacity
Hauled 2015 New Shafts/Props
\$850K w/ Possible Owner Financing
San Francisco, California
(415) 686-0907 • John

Northeast Industrial & Marine Equipment Supplies

661 Route 9 Cape May, NJ 08204

1-800-884-3152 609-884-3152 609-884-3510

Fax: 609-884-3170, Check Us Out @www.northeastindustrialnj.com

**EQUIPMENT SUPPLIES FOR ALL PHASES OF THE FISHING,
DREDGING, MARINE CONSTRUCTION, AND TRANSPORTATION
INDUSTRIES**



- Pullmaster, Superwinch, Lantec, Kinematic
- Custom Built Power Units
- Winches - Planetary, Worm Gear
- Control Valves 4 GPM - 400 GPM
- Hydraulic Pumps - Gear, Piston
- Hydraulic Motors - Staffa, KYB, Char-lynn
- Free Fall Winches - 5,000 lb. to 75,000 lb.
- Wintech Winches - Electric, Air, Hand Cranked
- Transmissions - ZF, Twin Disc

John Deere / Yanmar
Industrial Engines

- Custom Winch Systems 1,000 to 300,000 Line Pulls
- Custom Built Winches - 1,000 lb. to 200,000 lb. Line Pull & Diesel HPU Units
- Electric HPU Units
- Spud Handling Systems & Barge Anchoring Systems
- Used Equipment Refurbishing
- Equipment Rentals - Winches, Power Units

• Custom Built Barges

National & International Services

Hydraulic, Welding, Machine Shop Service

Email us @ neindustrial@hotmail.com or contact@northeastindustrialnj.com



**VIKING
ENHANCED
SOFTLOOP FENDER**

*When Push Comes to Shove
Have a Viking on Your Side*

- The softest, most forgiving ship assist fender on market
- Designed for greater energy absorption and gripping ability
- Ideal for tractor tugs, bow, stern and side fenders
- Side hip fenders for tug and barge units
- Pier cell fenders



Quality Recycled Materials

a division of Viking Marine Products, Inc.

1160 State Street • Perth Amboy, NJ 08861 USA

Tel: +1 732-826-4552 • Fax: +1 732-826-5533

Complete Brochure at: www.vikingfender.com

CLOSING DATES • THIRD DECEMBER ISSUE

(To be mailed December 19th)

FOR DISPLAY December 14th
(9:00 A.M. C.S.T)

FOR CLASSIFIED December 16th
(1:00 P.M. C.S.T)



**FLOATING DOCKS, GANGWAYS, SEAWALLS
RAVENS MARINE, INC.**



3295 ORANGE AVENUE
KISSIMMEE, FL 34744
PH: 407-935-9799
TOLL FREE: 800-676-3023
FAX: 407-935-9436
www.ravensmarine.com
ravens@ravensmarine.com



AT RAVENS MARINE, QUALITY IS #1



FROM THE BACKYARD
DOCK TO THE FULL
SCALE MARINA, WE
MANUFACTURE THE
COMPLETE
"PICTURE"





HL130M DRI-PRIME PUMP



6X6 JET PUMP

FRANKIE STEVENSON, (757) 431-7217
FSTEVENSON@PRECONMARINE.COM
FOR FULL SPECS, CUT SHEETS AND PRICING CHECK OUT:
PRECONMARINE.COM/EQUIPMENT
ALL EQUIPMENT—FOR SALE OR LEASE
UPON AVAILABILITY



ANVIL 25T GRAPPLE



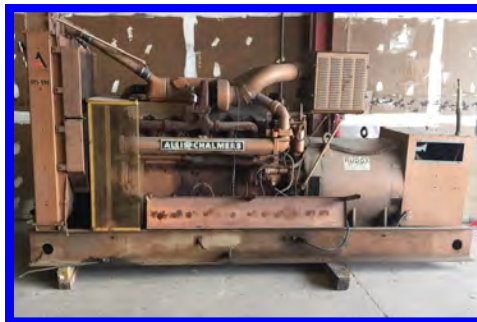
ICE 416 VIBRO HAMMER



LINK BELT LS 248
200 TON
2010



ATLAS 20T GRAPPLE



3 Each Allis Chalmers
475 KW GENSETS



AMERICAN 7250
CRANE



D200 PILE
HAMMER



DIVE EQUIPMENT
AVAILABLE FOR



LINK BELT LS348
300 TON
2015



SJ BARGES 260'X52.5'X12'
Call For Price



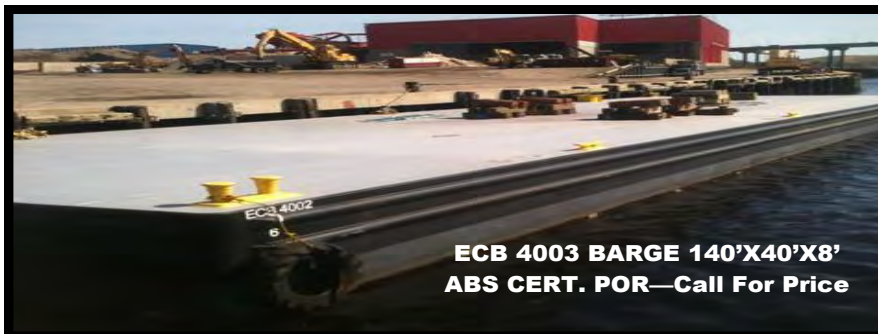
THE TAMPA
2014 TRUCKABLE TUG



ROBISHAW S-50 FLEXI
FLOATS



1983 MONARCK



ECB 4003 BARGE 140'X40'X8'
ABS CERT. POR—Call For Price



ECB SECTIONAL BARGES
41'x10'x5'

HERB JOHNSON, (757) 431-7205
HCJOHNSON@PRECONMARINE.COM
ALL EQUIPMENT—FOR SALE OR LEASE
UPON AVAILABILITY

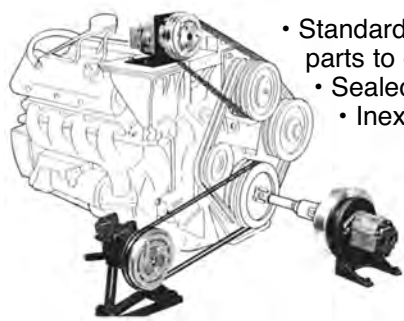


120x30 Material Barges
Lease or Purchase

Specify PITTS Heavy Duty Electric Clutches & Mounts

Adaptable, Dependable... Easy to Install & Maintain
SHAFT OR V-BELT DRIVEN MARINE CLUTCHES

- 75 to 1500 lbs - ft • 12 or 24 VDC power supply • Compact
- Zinc plated-meets ASTM B-117 salt spray test
- SAE pump mount-several options available



- Standard drive shaft flange input requires fewer parts to connect to drive train
- Sealed bearings-no lubrication required
- Inexpensive

PITTS

The Clutch People
 Distributed/Represented
 in Canada and the East Coast by:

Coastal Hydraulics

28 Route 286, Seabrook, NH 03874
 (603) 474-1914 • FAX (603) 474-1902

Portable Pushboats For Charter



430/330 HP Twin Screw
25' x 12' x 5', 3.5' Draft
J-Way Leasing & Marine, LLC
(440) 934-1020



For Sale

57', 17.6 breadth. Long line or bandit, (2) 671 with Isuzu 20 kw gen. ice hold 20,000 lbs, nice working vessel \$175,000.00, or will trade IFQ shares. Permits also available tuna and reef. Call: (850) 265-1145 or (850) 866-1564 or Email: floridaboats2@gmail.com with any questions or additional pictures.



UNDERWATER LIFT BAGS ENGINEERED FROM THE BOTTOM UP!

- OPEN BOTTOM AND ENCLOSED LIFT BAGS FROM 100 LBS TO 50 TONS
- CABLE AND PIPELINE FLOATS
- WATER LOAD TEST BAGS
- LIFE BOAT TEST DAVIT TEST KITS
- PIPE PLUGGERS - INFLATABLE PIPE STOPPERS
- INFLAT-A-TANK - LIQUID STORAGE BLADDERS
- FEND-AIR™ - INFLATABLE MARINE FENDERS
- RENTALS AVAILABLE

• MADE IN USA • ALL MAJOR CREDIT CARDS ACCEPTED • IMCA COMPLIANT

P.O. Box 2030 • North Kingstown, Rhode Island 02852 USA

Phone: (401) 884-8801 • Toll Free: (800) 466-6962 • Fax: (401) 884-8868
 Website: www.SUBSALVE.com • E-mail: Richard@Subsalve.com

BUY SELL RENT

CLAMSHELL BUCKETS HOISTS & WINCHES PILE DRIVING EQUIPMENT



GREG DUNN

(724) 228-5560
 FAX (724) 228-8776
www.neequipdist.com

400 Country Club Road
 P.O. Box 358
 Meadow Lands, PA 15347-0358

Charter Fishing Business, Marina, Home and Commercial Office



43' boat, tackle, ice maker, dock, shore fuel tank. 2 bedroom 2 bath home with commercial office space and bath. 20 miles north of Key West. Well established business since 1978.
 (305) 745-1530
seaboats5@aol.com • www.seaboats.com

MARKLEY • 46 x 12 x 6



Current COI 33+2, Cummins 6CTA, New Head, Turbo, Exhaust Mainfold in 2013, Full Electronics, New LED Lighting.

Asking \$118K • (516) 297-9296

Flagship Marine - Keep It Simple Stupid - the KISS principal has guided us since 1995!



NO EXPENSIVE, PROPRIETARY PRINTED CIRCUIT BOARDS!
A CHILD CAN FOLLOW OUR SCHEMATICS!



CHILLERS • SELF - CONTAINED AIR COOLED - EXPLOSION PROOF EXTREME DUTY FOR UP TO 105°F SEAWATER!

OVER-THE-COUNTER COMPONENTS SLOWLY EVOLVED DESIGN AND COMPONENT SELECTION OVER MANY YEARS OF EXPERIENCE.



Air Cooled Rooftop Units By RVP Coleman 13,500 BTUs With Heat. Install Kit And Ceiling Assembly For Only \$929.95



Made With Pride In The USA!

International Distributor
 Fernstrum Keel Coolers & Sen-Dure Heat Exchangers

Phone: 772-283-1609
 Fax: 772-283-4611
 Watts: 800-316-6426
Flagship Marine, Inc.
 2427 SE Dixie Hwy.
 Stuart, FL 34996
flagshipmarine.com
sales@flagshipmarine.com



COMMERCIAL MARINE SUPPORT SALVAGE, DIVING & CONSTRUCTION

Cranes, Barges, Tugs, Ferry & Dredging Services • Crew, Tow, Film, Spill Security & Safety Boats.

Sales & Equipment Rentals • Meet The Fleet At www.CustomMarine1.com

Capt. Dwayne Reith • 646-235-9546 Tel. • 914-930-8907 Fax. • 710 Washington St., Peekskill, NY 10511



95' Warping Tug
 Twin Detroit Diesel 8 Cyl. Engines, Winch Power Assisted Drum Allison MH30L Transmissions, 360 Degree Water Jet Propulsion.
Asking \$99k W/O Winch



52' Gladding Hearn, 1992 Twin Cat 3406 800 HP, 34 Knot, All Aluminum Fire Pumps Disassembled, 2 GM 653's.
\$94,000



2 - LCM-8, 1987, Freshwater Only, 700 Hrs., 80 Ton Capacity.
\$329,000



1985 American 9220, 125 Ton, 100' Boom, Cummins, 4 1/2 Yard Clam Bucket. On Bulkhead In NY Barge Accessible For Pickup. - **\$149,000**



2004 Nautica Rib, 42'. Cost \$500K New. A/C, Genset, 440 Yanmar w/Jets. - **\$119,000**



1991 Thomas, 28' Pilothouse, Inboard Cummins, 6 Cylinder 6BTA 250 HP, Keel Cooled, 1,200 Hours. All Aluminum. - **\$34,000**



2003 23' Rescue Boat, BH-HR7 Steyr 236 Diesel, 30 Hrs.
\$50,000



2000 32' Aluminum Breaux Brothers Work Boat, Mercruiser 454 FWC, Bravo 2, Fast Fuel Efficient. - **\$44,000**



3-1-25' Steel Push/Work Boat, 1993, Twin 453, Both Diesels & Trans. Rebuilt Last Season, 24" 4 Blade Props. - **\$64,000**



24' Henley Aluminum Work Boat, 4 Cyl Gas Volvo I/O, Just Rebuilt. - **\$19,000**



1999 Metal Craft King Fisher 22', 150 HP Volvo I/O Penta Diesel, Trailer Included. - **\$49,000**



Shugart (4) 40' x 12' x 5'3, 25 Ton Capacity Ea. 2- 20" Spud Wells, 2- 40-80' Spuds Avail. - **For Lease**



2003 Sea Ark 28' Enforcer, Aluminum, Twin Yanmar 200 HP, Genset. - **\$78,000**



Flat Deck Bin Wall Barge 130' x 38' x 11' x 1/2" Sides Mostly Freshwater. - **\$120,000**

FOR LEASE:

(2) 2007 25' x 12

TRUCKABLE PUSH BOATS - (1) FOR SALE - \$159K FIRM

15' Eye Level, Twin Screw John Deere's, Flanking Rudders, Used Only In Fresh Water, Excellent Condition, Very Low Hours.



FOR LEASE OR SALE

(2) 2015 Marine Inland Truckable Push Tugs • \$275K



2 - 300 H.P. John Deere 6068 turbo tier 3 diesels 700 hrs. Flanking rudders with 21' eye level upper station and 15' from house 10 kW Genset. Fire pump, diesel mounted on deck 2- 10 ton winches 3/4 cable. 2 - 36" x 24" x 2.5" work horse props. 9' Push knees. Very Low Hours

EVANS BOATS, INC.

www.evansboats.com 1-800-545-2592 443-783-0529
evansboats@hotmail.com

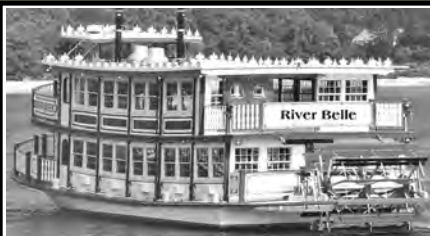


53' x 21' CAT • 76 PASSENGER PLUS 2 CREW • 21 KNOT CRUISE
Call For Details & More Information On All Options And Boats Available!

FOR SALE



21' Sea Ark, T 115 Yamaha's, 15 Hours.
Reduced Price \$37,500.00
Greg - (732) 865-4272



65' Mississippi Like River Boat - 78' Overall, Incl. Stern Paddle. USCG Lic. For 150 + 10 Crew. Full Electronics, USCG Insp. Both Decks Heat & A/C. 2 - 671 GM Diesels. 2-371 - 50 KW GM Gens @ 1200 RPM. Brielle, NJ.
\$450,000 • (732) 245-1592

100% Stainless Steel Construction

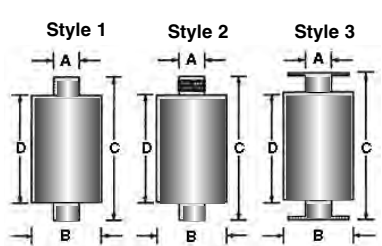
This Muffler can go to HELL and take the HEAT!!!

www.the-flex.com

Exhaust System Silencers Style 1-2

PART #	A	B	C	D	PRICE
AIM-03	3.500"	6.625"	15"	9"	\$360
AIM-04	4.500"	8.625"	18"	12"	\$385
AIM-05	5.563"	10.750"	21"	15"	\$415
AIM-06	6.625"	12.75"	24"	18"	\$580
AIM-08	8.625"	16.00"	30"	24"	\$715
AIM-14	4.500"	8.625"	22"	16"	\$470
AIM-15	5.563"	10.750"	26"	20"	\$550
AIM-16	6.625"	12.75"	30"	24"	\$745
AIM-18	8.625"	16.00"	38"	32"	\$965
AIM-24	4.500"	8.625"	46"	40"	\$910
AIM-25	5.563"	10.750"	56"	50"	\$1,210
AIM-26	6.625"	12.75"	66"	60"	\$1,450
AIM-28	8.625"	16.00"	86"	80"	\$2,250

Call for price of Style 3



CUSTOM FABRICATION AVAILABLE.

All items can be purchased online.

NOTE: Above is styles 1 & 2 only!

Carbon Steel Beveled Pipe Stainless Flexible Exhaust



PART #	HOSE I.D.	A	B	C	D	PRICE
WW-150	1.5"	6.000"	.145"	3.000"	1.900"	\$40
WW-2	2.0"	-	.154"	-	2.375"	45
WW-250	2.5"	-	.203"	-	2.875"	55
WW-3	3.0"	-	.216"	-	3.500"	75
WW-4	4.0"	-	.237"	-	4.500"	90
WW-5	5.0"	-	.258"	-	5.563"	100
WW-6	6.0"	-	.280"	-	6.625"	115
WW-8	8.0"	-	.322"	-	8.625"	150

Carbon Steel Flanged Pipe Stainless Flexible Exhaust



PART #	HOSE I.D.	A	B	C	D	PRICE
FF-150	1.5"	10.52"	.875"	12.000"	1.950"	\$70
FF-2	2.0"	10.00"	1.000"	-	2.440"	85
FF-250	2.5"	9.750"	1.125"	-	2.940"	115
FF-3	3.0"	9.625"	1.1875"	-	3.570"	135
FF-4	4.0"	9.375"	1.3125"	-	4.570"	200
FF-5	5.0"	9.250"	1.4375"	-	5.660"	240
FF-6	6.0"	8.875"	1.5625"	-	6.720"	265
FF-8	8.0"	8.500"	1.750"	-	8.720"	350

Thermal Insulation Blanket Kits

PART #	PRICE
TIB-3-4 3" & 4" Exhaust Connector 1" Thick & 18" Long x Circum.	\$45
TIB-5 5" Exhaust Connector 1" Thick & 18" Long x Circum.	\$60
TIB-6 6" Exhaust Connector 1" Thick & 18" Long x Circum.	\$70

• Crafted from high-purity alumina-silica ceramic fiber blanket and woven fiberglass impregnated with silicone resins. Blanket is firmly stitched with Kevlar thread and is reusable.

• Resists damage, absorbs sound, suitable for operating temperatures up to 1000° F.

• Thermal and physical properties are restored after drying if water, steam or oil wets TIB-kit.

• Built to wrap circumferences in multiples of 6" (6", 12", 18"+) or spiral wrap around long lengths. (Custom widths available)

Fire resistance - meets requirements for combustibility as specified by U.S. Coast Guard 164.009



We Stand by our work.

AIM

APPLGATE INDUSTRIAL MATERIALS INC.
P. O. Box 428, Baton Rouge, LA 70821-0428
1-225-336-4116 • fax 1-225-336-4317
1-800-843-3539 • www.the-flex.com
E-mail: info@The-flex.com

AIM has set the standard for reliability, durability & service for over 25 years. Run silent, run deep.

Most items are shipped within 24 hours. We offer shipping by Fed-Ex, Emery, US Postal Service, Motor Freight, Greyhound Package Express, or Will Call. Easy payment options including: Visa, Mastercard, American Express, Discover, C.O.D. or 30 day invoicing with approved credit.

INSURANCE SOLUTIONS

NOT EXCUSES...

- Tugs & Barges
- Charter Boats
- Marine Contractors
- Marinas
- Workers Comp.
- Equipment
- General Liability
- Fishing Vessels
- Live Aboards
- Diving Contractors
- ROVs
- Jones Act
- USL&H
- Bonds

Paul Lynch & Associates, Inc.
Insurance Consultants & Agents

701 N. Federal Highway, Suite #401, Stuart, FL 34994
Telephone (772) 232-9371 Facsimile (772) 232-9375
info@insuremarine.com www.insuremarine.com

Oceanographic Research Vessel Candidate for Expedition Yacht Conversion For Sale Direct From Owners-Reduced Price



File: RV23142: 231' x 42' x 20'. Built 1967. Rebuilt: 2002. U.S. flag. ABS + A1 AMS, ACC, USCG Sub "U", "I", COI, SOLAS. Dwt: 1,800T. FO: 105,000g. FW: 16,000g. 15T & 5T cranes. 10T A-frame. M/Es: 2 x EMD total 2,400HP o'hauled 2002. Speed 12.5-14kn. Range 10,925nm / 45 days. Bow thruster. Gensets: 2- 300kW; 1-75kW. Quarters for 48 in 7 single & 20 double cabins + berths for up to 11 crew. AirCon. Hospital, lounges, wet lab, conference & data process rooms. Mess seats 34. 2 watermakers. Commercial grade incinerator & laundry room. Anti-roll system. Full Com / Nav aids. Excellent working condition. All certs valid. Complete refit to new standards '03. New interior, wiring, piping, electronics. Drydocked 2013 with fresh 5 year certs. Inspection / Delivery U.S. Northwest Prompt.

Marcon International, Inc.

Tel: 360-678-8880 e-mail: info@marcon.com Fax: 360-678-8890
www.marcon.com

Check Out Our Website!

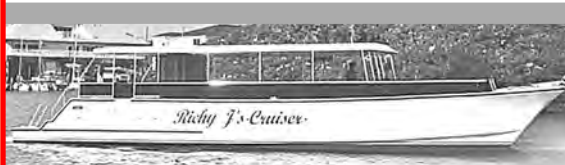
www.boats-and-harbors.com

Email: gdonnelly@boats-and-harbors.com

Ron Cooper Catamarans

THE MONEY MAKERS

✓ WE BUILD ONE OF THE MOST FUEL EFFICIENT PASSENGER VESSELS IN THE WORLD



63' x 24' Catamaran, base price \$399,000 plus power, stability test for 200



All New 47' x 15.5' Catamaran • USCG Stability test for up to 70 passengers • Introductory base price \$139,000 plus power • Economical and very stable • Glass bottom available • Set up for beach loading • Fast delivery

Call Ron Cooper (727) 804-6389 www.coopermarine.com

1-800-THE FLEX

Type I Offshore Life Vest

KENT

USCG Approved with reflective tape, light loop and whistle attachment.

\$32⁹⁹

Adult Universal PFD-1A
Order# 748930



GME ACCUSat™ EPIRBs

406 MHz. 6 Year Non-Haz Mat battery. 6 Year warranty. Stainless steel antenna. USCG/GMDSS Approved.

6 Year Battery

Cat II Manual Order# 731676 **\$349⁹⁹**

Cat I Auto Order# 731678 **\$469⁹⁹**



HAMILTON MARINE
MAINE

Premium Adult Universal Immersion Suit

KENT USCG APPROVED

High visibility yellow inflatable head pillow, face mask, mitts and ankle adjustments. Removable head pillow. Articulated arms for easier donning. Includes buddy line and whistle.

KNT-1540-AU **\$249⁹⁹**
Order# 753274

Adult Universal Cold Water Immersion Suit

IMPERIAL USCG APPROVED

RVS-1409A **\$259⁹⁹**
Order# 743829



KENT In-Sight Offshore Automatic/Manual Inflatable PFD

USCG APPROVED Type V with Type II Performance

Heavy-duty 420 denier nylon shell. Neoprene comfort collar. SOLAS grade reflective tape. In-Sight window shows armed status. Full 35 lbs buoyancy.

LIMITED QUANTITIES!

\$99⁹⁹

Reg 149.99

Color Order#
Orange 752862
Red 761645

SAVE \$50



Firstwatch

AB-1100 Flotation Bomber

USCG APPROVED Type III

High visibility stowaway thermal hood, 3M™ SOLAS reflective panels, reinforced 500 denier elbow and cuffs. Neoprene lined cuffs. Ripstop shell for lasting durability. Black/Red.

\$194⁹⁹

S M L XL 2XL
743038 743039 743041 743042 743043



GRUNDÉNS

Women's Sedna 462 Jacket & 510 Bib Trousers

Built to the same standards as all Grundéns Pro gear with an all new fit based on feedback from women fishermen.

Jacket Trousers
\$128⁹⁹ \$112⁹⁹

Part#	S	M	L	XL
Jacket	759798	759796	759791	759800
Trousers	759810	759809	759808	759811



Glove Liners

Polyester/cotton blend, one size fits all.

\$3⁵⁹
DOZEN

SPECIAL PURCHASE!

HMG-GLPC
Order# 758617



Offshore Sportfisher Kit

ORION
The Brightest Vision in Safety

30 different items, 165 total pieces. Meets all commercial requirements.

\$49⁹⁹

OLI-844
Order# 175226



WE MARK AND SWAGE WIRE!

Galvanized or Stainless Steel wire, from 1/4" to 1" diameter. We hand and machine (commercial) swage wire and mark wire for fishermen the old fashioned way.

Electric Rope Cutting Guns

100 Watts
\$29⁹⁹

PUR-15463
Order# 127675

120 Watts
\$39⁹⁹

PUR-15463HD
Order# 735613



5/8" ProDac Polyester Copolymer

High Strength! 11,250 lbs

LIMITED QUANTITY!

SPECIAL PURCHASE!

\$299
1200 FT SPOOL

Reg 599.99
Order# 758460

50% OFF



SPECIAL! BEST DEALS ON ROPE!

3-Strand Nylon

High-tenacity white nylon multifilament fiber. Four-stage construction produces a torque-balanced rope with medium lay. Meets or exceeds Cordage Institute, US and Canadian Military standards.



600 ft Spools

Size	Order#	Tensile Strength	Ft Price per Reel	600' Reel
3/8"	118628	3700 lbs	0.16	95.49
7/16"	118630	5000 lbs	0.22	129.46
1/2"	118631	6400 lbs	0.28	169.55
5/8"	118632	10400 lbs	0.44	266.83
3/4"	118633	14200 lbs	0.64	385.35
7/8"	118634	17280 lbs	0.88	525.64
1"	118635	25000 lbs	1.09	656.76
1-1/8"	118636	33000 lbs	1.31	787.77
1-1/4"	118637	37500 lbs	1.59	956.28
1-1/2"	118639	53000 lbs	2.29	1372.79

Polypropylene

General purpose, monofilament fiber, balanced construction, medium lay, good strength, moderate stretch, lightweight and buoyant. Good UV resistance. Yellow.



600 ft Spools

Size	Order#	Tensile Strength	Ft Price per Reel	600' Reel
3/8"	118671	2700 lbs	0.08	50.57
7/16"	118673	3300 lbs	0.11	68.11
1/2"	118675	4200 lbs	0.15	89.72
5/8"	118677	6200 lbs	0.23	140.28
3/4"	118678	8500 lbs	0.34	202.61
7/8"	118680	11500 lbs	0.46	276.78
1"	118681	14000 lbs	0.55	332.48
1-1/4"	118683	21000 lbs	0.85	510.01
1-1/2"	118684	29700 lbs	1.21	728.03

Poly Plus Rope

High-tenacity polyester with polypropylene core, medium lay, good strength/low stretch, good abrasion resistance, excellent UV resistance. White with orange tracers.



600 ft Spools

Size	Order#	Tensile Strength	Ft Price per Reel	600' Reel
3/8"	118655	3200 lbs	0.13	80.93
7/16"	118656	3900 lbs	0.18	106.71
1/2"	118657	5400 lbs	0.23	136.05
5/8"	118658	7200 lbs	0.35	209.81
3/4"	118659	9800 lbs	0.50	298.27
7/8"	118660	13500 lbs	0.70	416.68
1"	118661	17000 lbs	0.80	482.21
1-1/8"	118662	21000 lbs	1.00	600.03
1-1/4"	118663	25000 lbs	1.23	736.26
1-1/2"	118664	41000 lbs	1.73	1038.22

FISHING • SAFETY • HARDWARE

800-639-2715 hamiltonmarine.com

PORTLAND ROCKLAND SEARSPORT SOUTHWEST HARBOR JONESPORT

Typographical errors are unintentional and subject to correction.

HMM MAINE HAMILTON MARINE

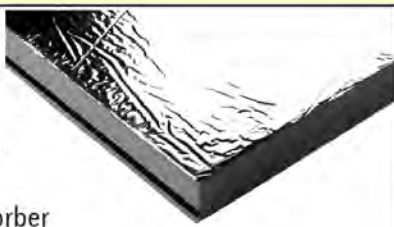
Noise Control

Reinforced metallized polyester film facing with adhesive backing. 32" x 54" sheets.

1" Thick Sound Absorber

HMQ-SA3254M1 **\$79⁹⁹**
Order# 154807

1" Thick Sound Barrier Composite
HMQ-SBC3254M1 **\$94⁹⁹**
Order# 154810



High Performance LED Lights

M-Series patented specter and hybrid optics allow combinations of high performance flood and spot lighting for multiple marine lighting needs. High purity aluminum housing. Superior light with ultra low power consumption.

SEARCH# RIL-



Starting At **\$113⁹⁹**



1" Bronze Ball Bearing Pump

Corrosion resistant bronze pump, ideal for engine cooling. Self-priming, operates in either direction at variable speeds. Also used for washdown, circulation, and many general purpose and dockside applications. Neoprene impeller with removable end cover for easy service. 25.5 GPM. 5/8" shaft.

\$354⁹⁹ **JABSCO**

a xylem brand



JAB-00777-9001
Order# 120101

Electromagnetic Clutch and Pump Units

All the high quality features of the manual units with a compact, reliable electromagnetic clutch. All bronze construction for heavy duty marine service. Self-priming and operates in either direction over a wide speed range.

2-A Groove Clutch

Part#	Size	Volt	Order#	SELL
JAB-11860-0005	1"	12	120224	584.89
JAB-11870-0005	1-1/4"	12	120226	690.91
JAB-18330-0000	2"	12	120264	1032.54

1-B Groove Clutch

Part#	Size	Volt	Order#	SELL
JAB-11860-0045	1"	12	120225	585.22
JAB-11870-0045	1-1/4"	12	138750	676.15



a xylem brand



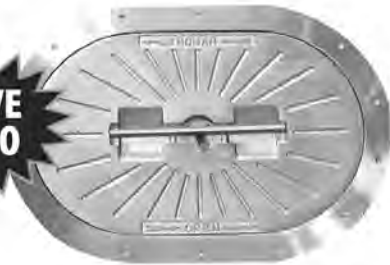
BOMAR Cast Aluminum Commercial Hatches

Flush, watertight, 4-dog system, opens from the outside only.

15" x 24"
\$529⁹⁹

SAVE \$100

Reg 599.99
BOM-C41524-0
Order# 104612



24" x 24"
\$899⁹⁹

SAVE \$100

Reg 999.99
BOM-C42424
Order# 104619



MARINE HEAT Heaters

FREE HEAT from your engine's closed cooling system!

Flush Mount or Ducted Models, available in 28,000 or 40,000 BTUS



Search# MH-

FREEMAN Cast Aluminum Commercial Hatches

Fast acting, flush, watertight. Easily installed in any deck style.

15" x 24"
\$599⁹⁹

SAVE \$120

Reg 719.00
FMN-2433-0002
Order# 754527



24" x 24"
\$1099⁹⁹

SAVE \$230

Reg 1329.00
FMN-2424-0002
Order# 754529



Anchor Inspection Hatches

Anodized Aluminum with Stainless Steel Flange



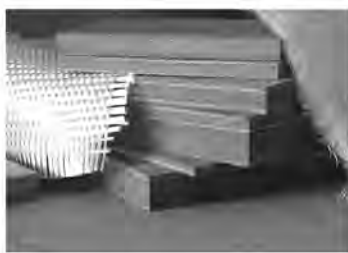
Many Sizes Available!

16" x 24"
HM-H1624A **\$419⁹⁹**
Order# 117454

Coosa Composite Panels

Use in place of plywood!

High density, polyurethane foam, reinforced with layers of fiberglass strands throughout. Lightweight, non-rotting.



SEARCH# CSA-

Extren® Fiberglass Structural Shapes & Plates

STRONGWELL GET THE WOOD OUT!

Corrosion and UV resistant, lightweight, high strength, low maintenance!

SEARCH# SGW-

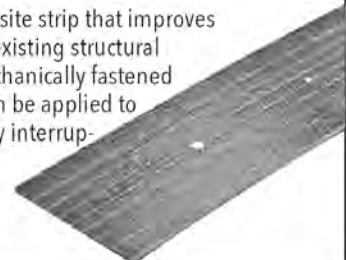


SAFSTRIP® Fiber-Reinforced Strengthening Strip

STRONGWELL

A pultruded composite strip that improves the strength of an existing structural member when mechanically fastened to the structure. Can be applied to bridges without any interruption of service.

SEARCH# SGW-SAFSTRIP



Commercial Bumper Black. Up to 60 ft lengths.

2-1/8" Base Width, 2" High, 7/16" Wall Thickness.

DAM-DB-50 **\$77⁹⁹**
Order# 107117



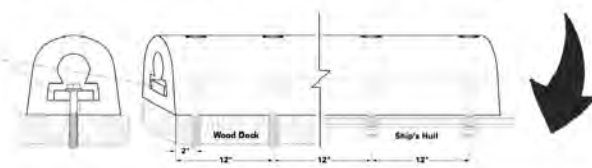
3-1/8" Base Width, 2-7/8" High, 11/16" Wall Thickness.

DAM-DB-75 **\$154⁹⁹**
Order# 107128

Insert Strips and Molded Corners Available

Insert Strips

Strip inserts here. Sold in lengths up to 10'



Fan Nose Bumper Black. Up to 60 ft lengths.

2-1/2"W x 3" OD, 5/8" Wall Thickness

DAM-DB-503 **\$164⁹⁹**
Order# 148198



3-3/4"W x 4-1/2" OD, 3/4" Wall Thickness

DAM-DB-504 **\$234⁹⁹**
Order# 147124

3-3/4"W x 4-1/2" OD, 3/4" Wall Thickness

DAM-DB-504 **\$234⁹⁹**
Order# 147124

COMMERCIAL SUPPLIES

800-639-2715 hamiltonmarine.com

PORTLAND ROCKLAND SEARSPORT SOUTHWEST HARBOR JONESPORT

Typographical errors are unintentional and subject to correction.

MARINE SANITATION DEVICE
The Original POOP PLANT

USCG Approved Type II MSD
 4/12/16 man sizes compact/low profile
 Fits anywhere modular flexible design



Economy Type II MSD
 Simple & Reliable EZ Install
 Built Like A Tank
 Corrosion Proof ---- Last Forever
 TheTankMSD.com (314) 579-9755

Diesel Fuel Purifier
 Bubba Proof * filter-less filter
HAS NO!
 Moving Parts
 Replacement Media
 BS Smoke & Mirrors
 How about simply?
 Just Clean Fuel!



SkimOil Inc. (314) 579-9755
www.thefuelpurifier.com

TWIN DISC
 Marine Gears, Torque-Converters - ALL
 Supplier & Rebuilder "Since 1982"
www.RMIservices.com
 (504) 347-4361

ATLASS INSURANCE QUOTE LINE:
800-330-3370



FOR FAST RESPONSE ON
Tugs • Barges • Rigs
Crew, Work & Supply
Boats, Sightseeing

MARINE INSURANCE
 1300 SE 17th Street, Ste. 220
 Ft. Lauderdale, Florida 33316
 Tel: (954) 525-0582 • Fax: (954) 525-0588
www.atlassinsurance.com


OOPS Oily Bilge Filters
 SKIMOIL
 Sizes for all boats
 Simple Inline Filter
 Works With Any Pump
 Overboard oil prevention system
 1/10 the size and cost of oil water separator
www.TheBilgeFilter.com - (314) 579-9755

FUEL FILTER ALERT & ALARM SYSTEM
 Ever had bad fuel?
 Shows Filter(s) Status -- NOW!
 Remote Digital Display
 Cell Phone & PC Connectivity
 Rugged & Simple - Bubba Proof
 SKIMOIL (314) 579-9755
www.fuelfilteralert.com

Oily Water Separators
BRUTE marine oily water separators (OWS)
 Quality made in USA - sizes from 0.5 to 45 GPM
 USCG/ABS/BV Approved
 Meets IMO/MEPC 107 (49)
 See new Mini-Brute 1/2 the size and cost
www.BRUTEows.com - (314) 579-9755


Maryland Waterman's Association Show
Closing Date:
12/22/16

Automatic Pot Line Coilers



The Extra Deckhand®
 Hydraulic Line Collars
 The patented 40# wonder that's
 Made in Alaska to be Alaskan Tough
WWW.COILERS.NET
 E.D. Industries LLC - 10006 Crazyhorse Drive
 Juneau, Alaska 99801
 Tel./Fax - (907) 789-9164

Serving Both Coasts Of The United States
And The Gulf Of Mexico



Vessels Built Over 70 Years Of Fabrication Include: Double Hull Tank Barges, Hydraulic Dump Scows, Deck Cargo Barges, ATB Barges, Ro-Ro Barges And Many Custom Vessels.

GUNDERSON MARINE
 A GREENBRIER COMPANY
 Call Chuck Garman At Gunderson Marine (800) 253-4350
 Call Chris Cole At Our Gulf Coast Office (504) 722-3526
 4350 NW Front Avenue, Portland, Oregon 97210

FOR SALE OR RENT



Army Bridge Boats
 27' x 8' Twin Diesel GM 353,
 3-1 Trans, 25 x 19 Prop.
 For Location & Price
(916) 539-8199 or
osmsinc@gmail.com
 Trailers May Be Available Separate

Offshore Oil Rigs & Marina WINDSOCKS



FACTORY DIRECT
 IN STOCK AND READY FOR IMMEDIATE SHIPMENT

AIRPORT WINDSOCK CORPORATION
 1-800-579-5135 952-890-9214
www.airportwindsocks.com

COMMERCIAL ALUMINUM JETBOATS

SMOKY MOUNTAIN JETBOATS
 12 passenger COI - PARTIALLY PROTECTED
 25 passenger COI - LIMITED COASTWISE
smokymountainjetboats.com
 1828 488 0522 - 1888 900 9091



NYS MARINE HIGHWAY TRANSPORTATION CO., LLC
WWW.NYSMARINEHIGHWAY.COM
SHIP BY CANAL





FABRICATED PRODUCTS DREDGES, DEAD SHIPS & CONTRACTORS EQUIPMENT PROJECT CARGO

WE CAN TOW YOUR EQUIPMENT BETWEEN THE EAST COAST & GREAT LAKES VIA THE NYS CANAL SYSTEM
QUOTES ROB (518) 365-3305 rob@nysmarinehighway.com

Commercial-Duty Walker AIRSEPS®



The NEW Standard for Diesel Breathing Systems
 Used in Today's Workboats.

Fleet Supply Warehouse, Inc.
 205 Venture Blvd., Houma, LA 70360
 Tel: 985.868.0430 Fax: 985.868.0436

Your Louisiana Headquarters for Walker Air Filters and New CCE Replacement Elements.



Walker Engineering
www.walkerairsep.com

Marine Grade • Commercial Duty LED Lighting Fixtures
 GREEN GENERATION LEADING EDGE TECHNOLOGY



LED FLOODLIGHTS
 Low Maintenance and Low Power Consumption. Up to 90% less power when compared to Halogen Lights. Low Operating Temperature and Vibration and Shock Resistant Design. Marine Grade 316 Stainless Steel Hardware and Bracket. Water Resistant IP 67 Rating. UL/CE and SAA Compliant. 2 Year Limited Warranty. Available from 10Watt up to 400Watt. 100 to 130 Lumen per Watt Light Output. AC & DC Versions Available.

NEW DHR LED Navigation Lights
 SAFETY FIRST IN ALL WEATHER CONDITIONS



40 SERIES 60 SERIES 80 SERIES
 USCG Approved Certified to 72 COLREGS
 The Only LED Navigation Lights Completely User Serviceable

OCEANUS – LED MARINE UTILITY LIGHT
 Designed to replace fluorescent light fixtures. Low power consumption, minimal maintenance. 3900K natural white light color is used to achieve the best CRI. Dual Color version, white and red, for night time illumination. The light can be surface or flush mounted. Available in 85vac-265vac or 10-30vdc.



E-LED LIGHTING Inc.
 PHONE: (561) 845-7460, FAX: (561) 214-4928
info@E-LEDLighting.com, www.E-LEDLighting.com