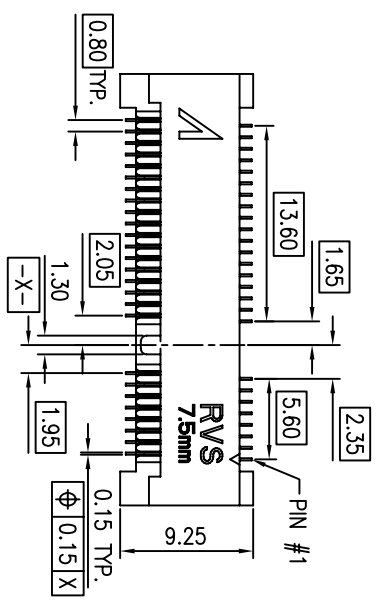


TYPE	DIM C
Half-Mini Card	23.90
Full-Mini Card	48.05

- NOTES:
- MATERIAL: THERMOPLASTIC, HIGH TEMP., UL94V-0;
 - CONTACT: COPPER ALLOY
 - FITTING MAIL: COPPER ALLOY
 - FINISH:
 - CONTACT: PLS. SEE ORDER INFORMATION(R.O.H.S COMPARED) UNDERPLATED:NICKEL OVERALL
 - FITTING MAIL: 100u" MIN. TIN PLATING ON SOLDER TAILS, 50u" MIN. NICKEL UNDERPLATING OVERALL.
 - REFLOW SOLDER CAPABLE TO 260° C PER ACES SPEC.
 - THE MODULE CARD REFERENCE MINIPCI EXPRESS CARD ELECTROMECHANICAL SPECIFICATION
 - DATUM D IS THE TOP SURFACE OF PCB
 - SPEC. PLS. REFER TO PS-51700-xxxxx
 - PACKING SPEC PLS. REFER TO 88900-52xx-TRP

REV	REVISION DESCRIPTION	DATE	SIGNATURE
0	#ADW0812088#(ECN-0901060)	09/01/07	Stone

一般公差 TOLERANCES X ±0.6 XX ±0.16 Y ±0.25 XXX ±0.1 ANGLES 1.2°		檢驗尺寸標示 SYMBOLS ① INDICATE CLASSIFICATION DIMENSION ② MARK IS CRITICAL DIM.	
宏致電子股份有限公司 Aces Electronic Co., Ltd.		品名 (TITLE) MINI PCI EXP. RVS TYPE 圖號 (DRAWING NO) 51715-XXXXX-XXX	製圖 (DR) 99/01/07 審核 (CHKD) 99/01/07 核准 (APPD) 99/01/07 張數 (SHEET) 1 OF 3 版數 (REV) A4 0
比例 (SCALE) 2:1	單位 (UNITS) mm	表面處理 (FINISH) MARK IS MAJOR DIM.	製圖 (DR) Stone 審核 (CHKD) Som 核准 (APPD) Jsson



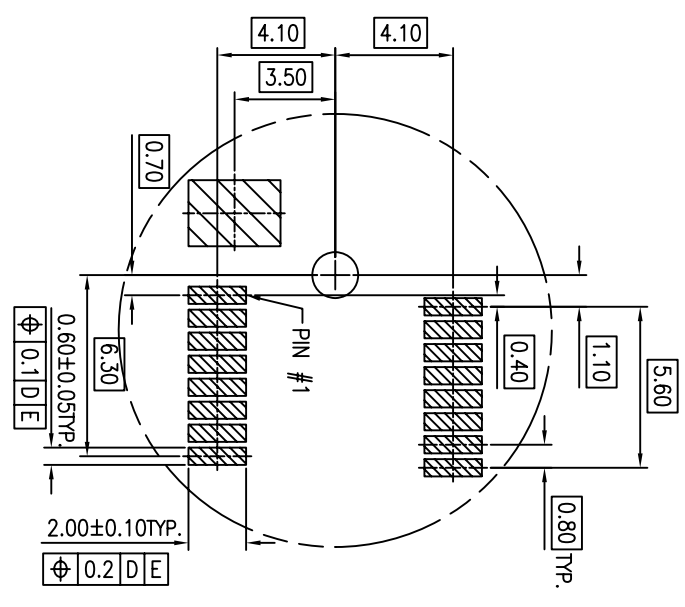
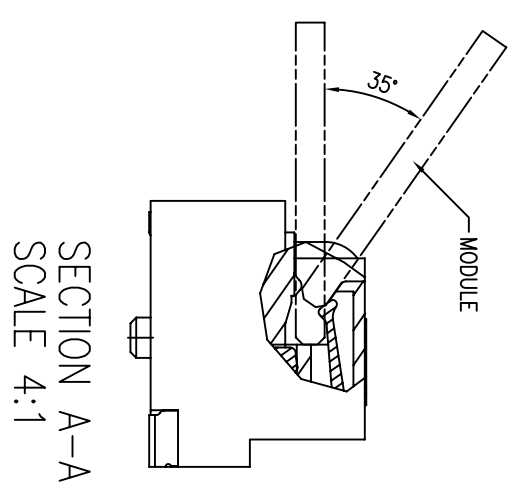
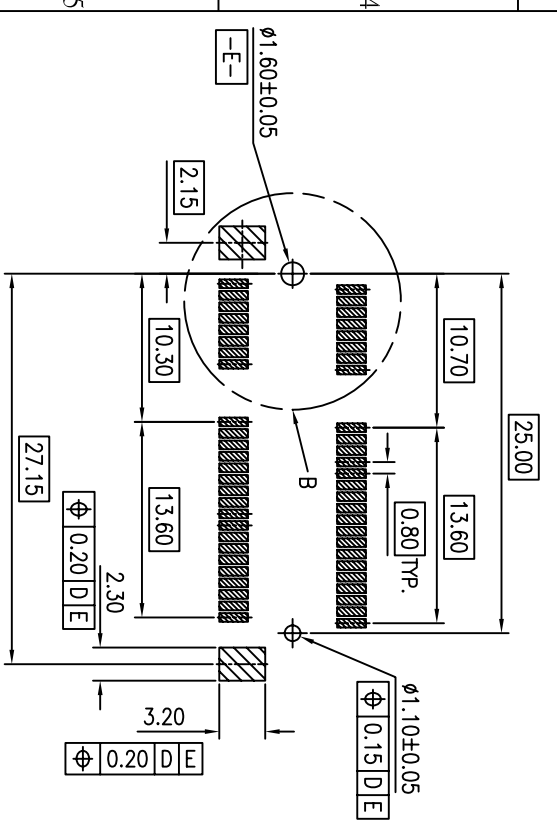
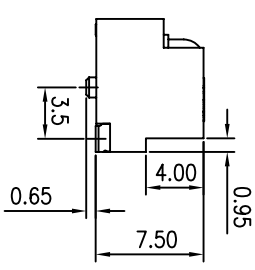
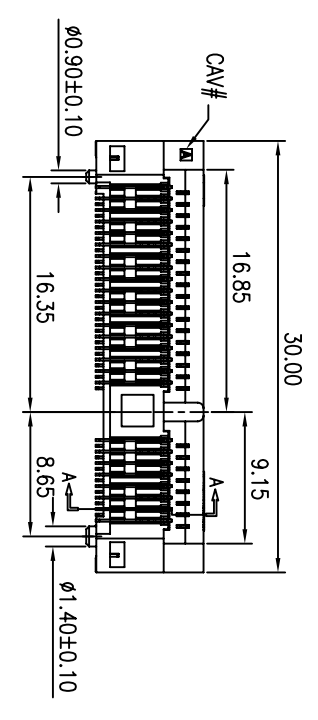
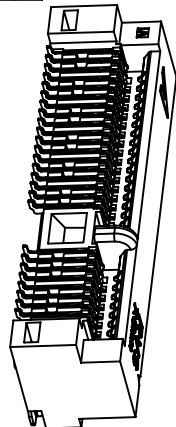
PART NUMBER
51715 - XXX X X - XXX

POS. 052, 52 PIN

PACKAGE
1. TUBE
0. TAPR & REEL

PLATING
W. 1u
solder for selectiveness plating

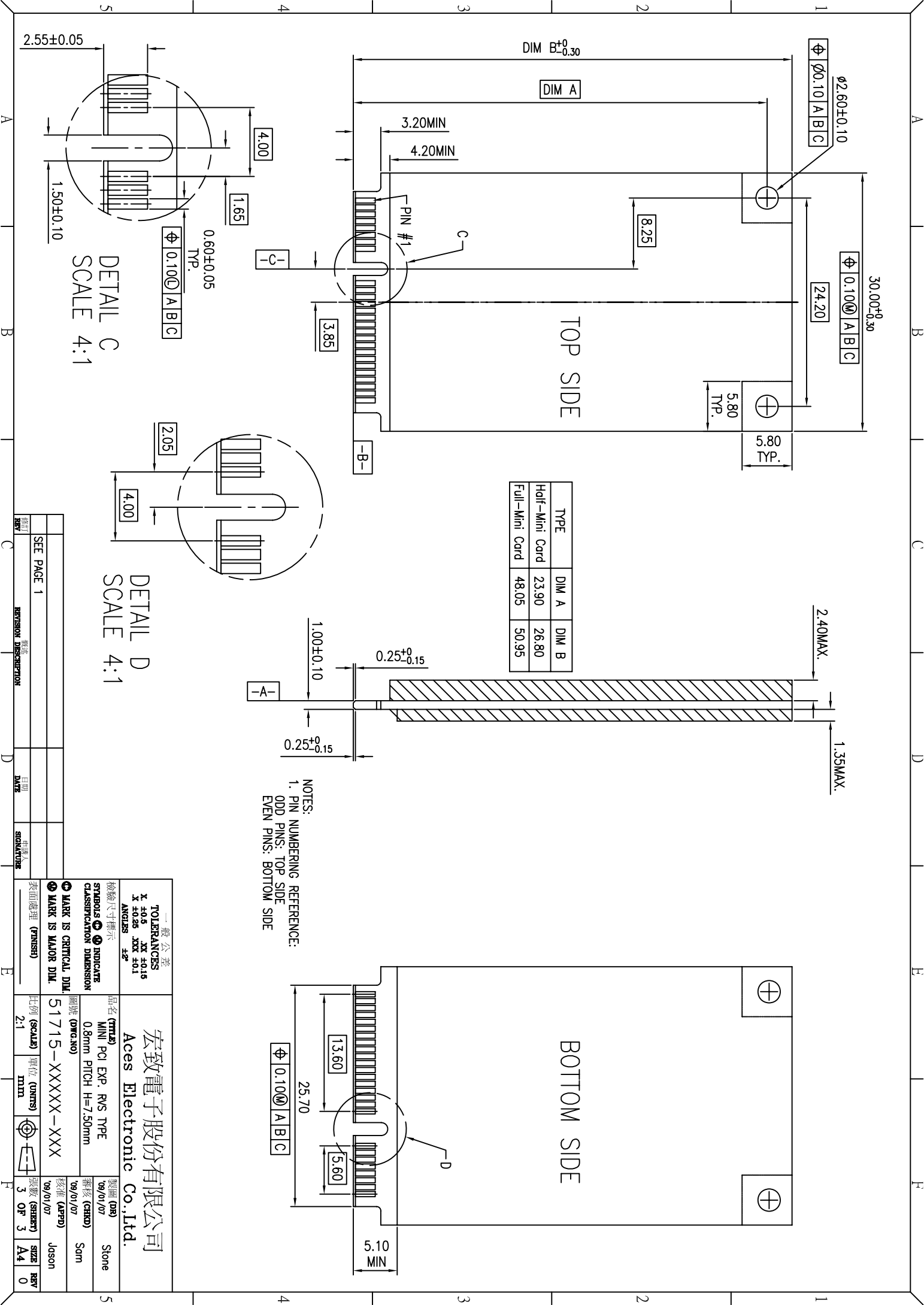
XXXX COLOR Halogen Free
001 BLACK HFF



一般公差 TOLERANCES X ±0.5 XX ±0.15 X ±0.25 XXX ±0.1 ANGLES 1/2°	品名 (TITLE) MINI PCI EXP. RVS TYPE SYMBOLS ① INDICATE CLASSIFICATION DIMENSION 圖號 (DRAWING NO.) 51715-XXXXX-XXX	宏致電子股份有限公司 Aces Electronic Co., Ltd.	製圖 (DR) 99/01/07	Stone
MARK IS CRITICAL DIM.	MARK IS MAJOR DIM.		審核 (CHKD) 99/01/07	Som
			核准 (APPD) 99/01/07	Joson
表面處理 (FINISH)	比例 (SCALE) 2:1	單位 (UNITS) mm	張數 (SHEET) 2 OF 3	SIZE A4
			REV 0	REV 0

REV	REV	REV	REV
DATE	DATE	DATE	DATE
REVISION DESCRIPTION	REVISION DESCRIPTION	REVISION DESCRIPTION	REVISION DESCRIPTION
SHEET PAGE 11	SHEET PAGE 11	SHEET PAGE 11	SHEET PAGE 11

CONNECTOR LAYOUT



TYPE	DIM A	DIM B
Half-Mini Card	23.90	26.80
Full-Mini Card	48.05	50.95

NOTES:
 1. PIN NUMBERING REFERENCE:
 ODD PINS: TOP SIDE
 EVEN PINS: BOTTOM SIDE

REV	REV	REV	REV

SEE PAGE 1

REVISION DESCRIPTION

DATE

SIGNATURE

一般公差 TOLERANCES X \pm 0.6 Y \pm 0.25 Z \pm 0.15 ANGLES \pm 0.1°	宏致電子股份有限公司 Aces Electronic Co., Ltd.
檢驗尺寸標示 SYMBOLS \oplus INDICATE CLASSIFICATION DIMENSION MARK IS CRITICAL DIM. MARK IS MAJOR DIM.	品名 (TITLE) MINI PCI EXP. RVS TYPE 圖號 (DRAWING NO.) 51715-XXXXX-XXX 比例 (SCALE) 2:1
製圖 (DR) 99/01/07 審核 (CHKD) 99/01/07 核准 (APPD) 99/01/07	Stone Som Jsson
表面處理 (FINISH) 	單位 (UNITS) mm 張數 (SHEET) 3 OF 3 尺寸 (SIZE) A4 版次 (REV) 0