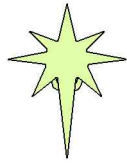
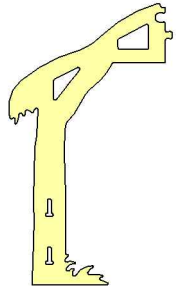


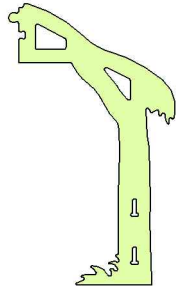
Illustrations are colored for clarity



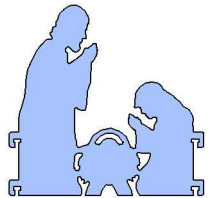
Star Assembly (1)



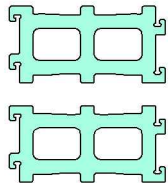
Manger - Left (1)



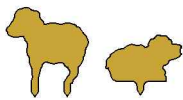
Manger - Right (1)



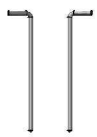
Holy Family (1)



Fences (2)



Sheep (2)



Ground Stakes (2)

**Optional (Included)**

  $\frac{3}{8}$ " Diameter x 40"  
Reinforcement Rods (2)



Stake Reinforcement  
Clips (4)

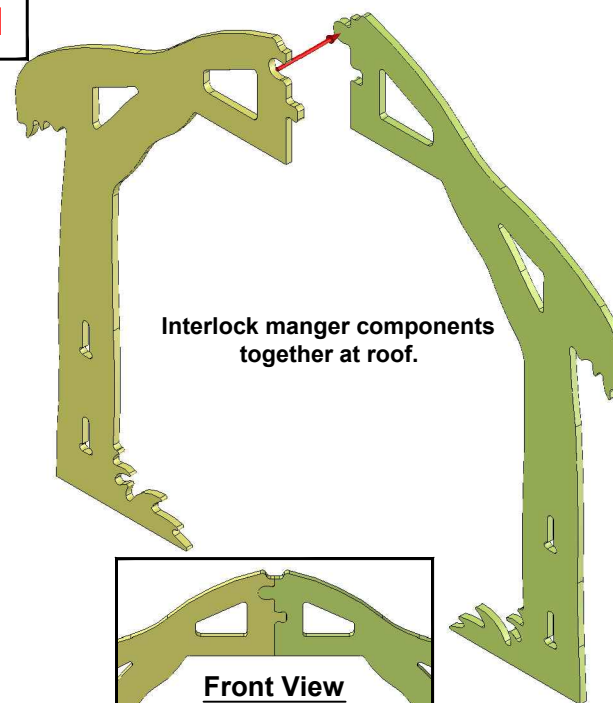
Stainless Steel Screws (8)

(See additional instruction sheet)

# Holy Night Outdoor Nativity Set - Standard Size Assembly Instructions



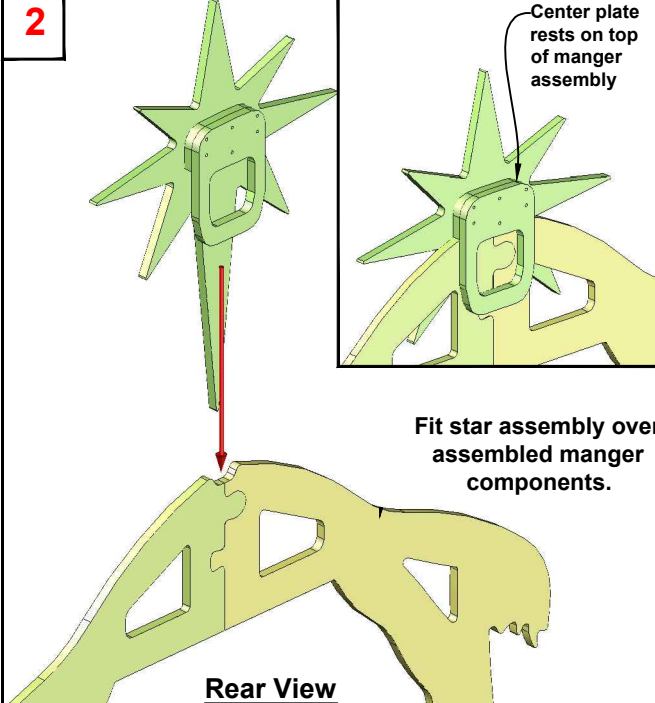
**1**



Interlock manger components together at roof.

**Front View**

**2**

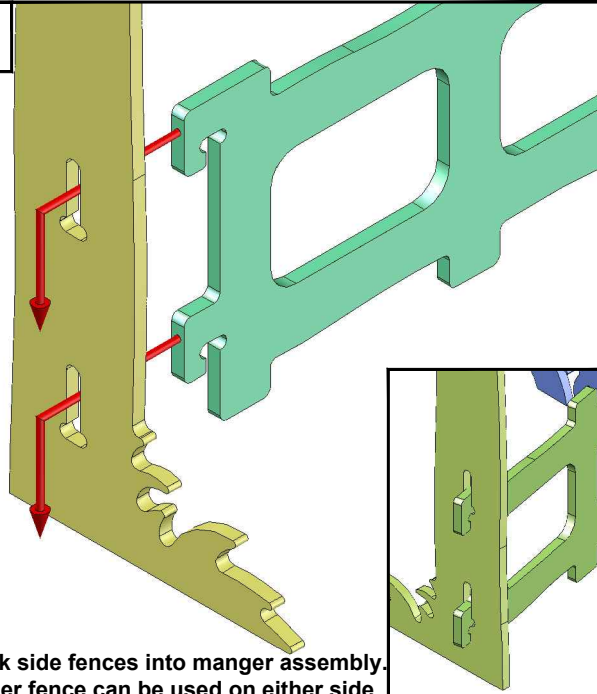


Center plate rests on top of manger assembly

Fit star assembly over assembled manger components.

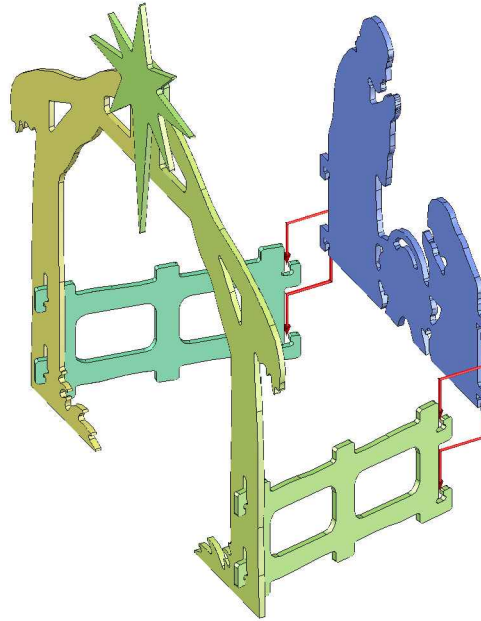
**Rear View**

3



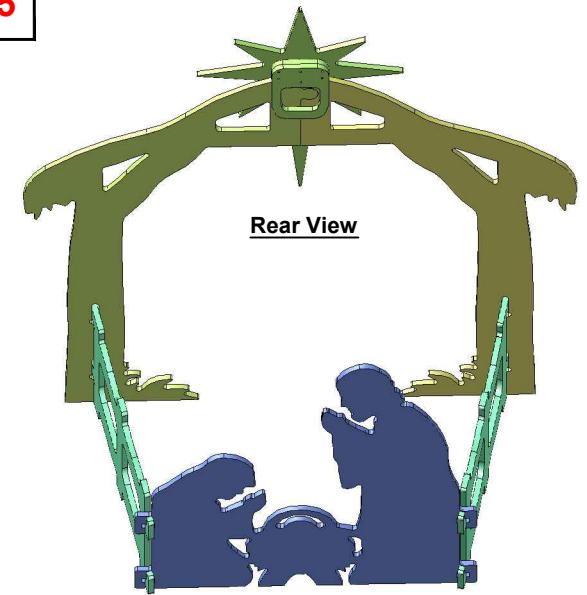
Lock side fences into manger assembly. Either fence can be used on either side of unit.

4



Lock the Holy family into the side fences.

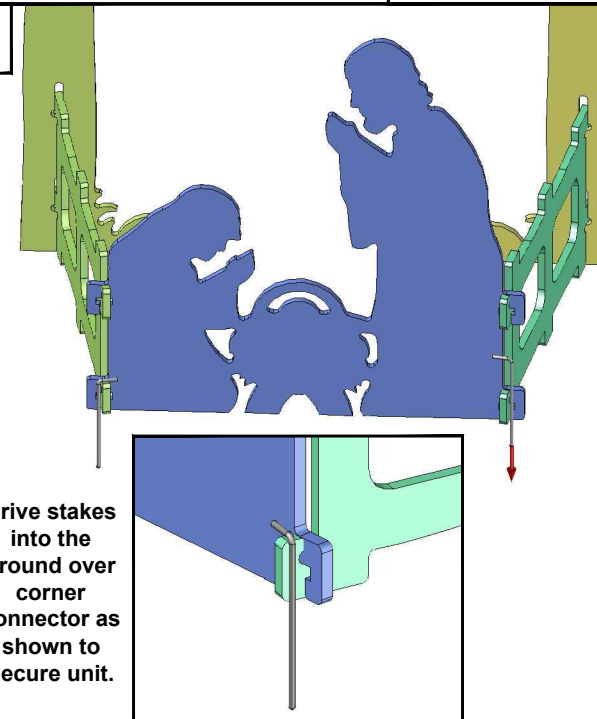
5



Rear View

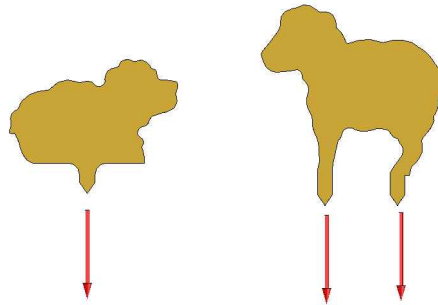
Fences will angle inward towards rear of set after the Holy Family is assembled.

6



Drive stakes into the ground over corner connector as shown to secure unit.

7



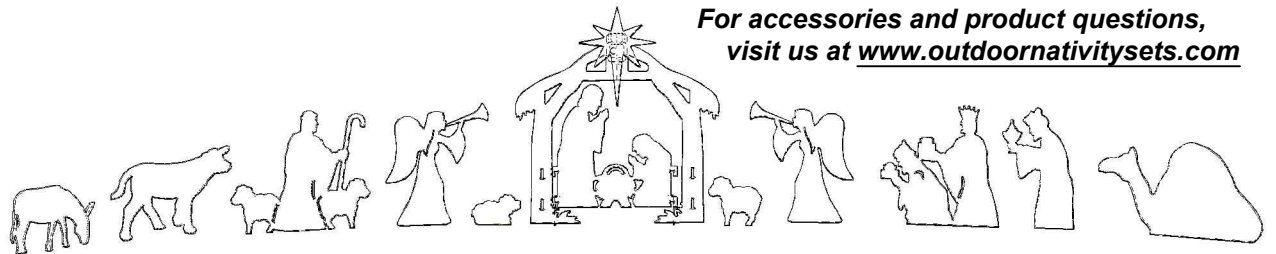
Leg extensions drive into ground. Locate sheep as desired.

Your Nativity set is now complete.

Enjoy!

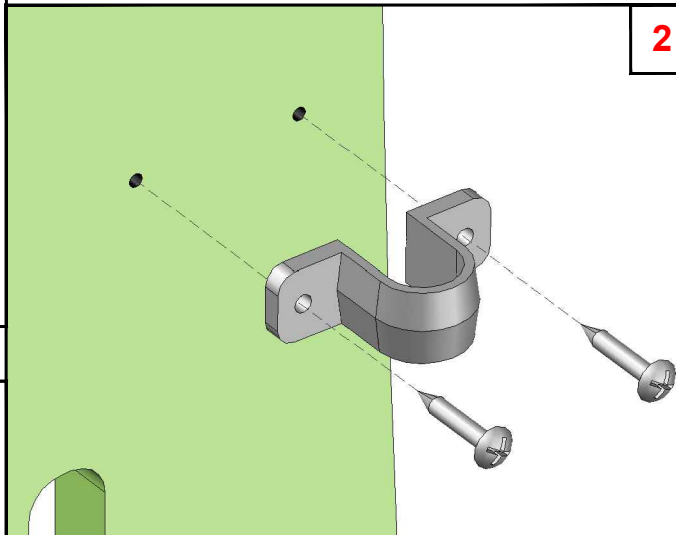
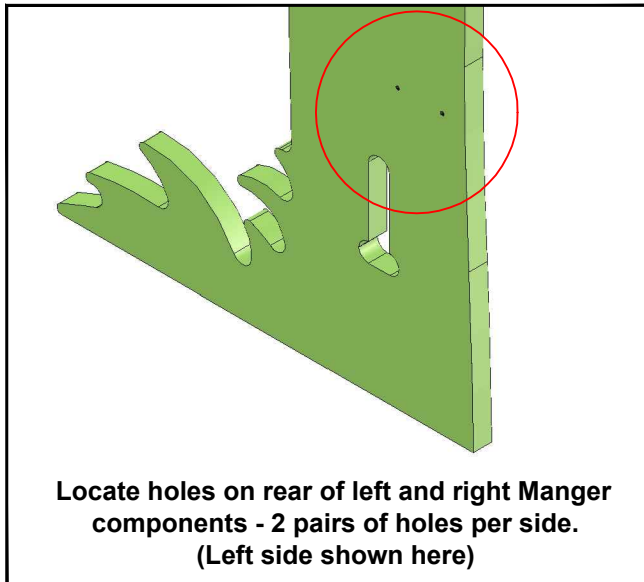
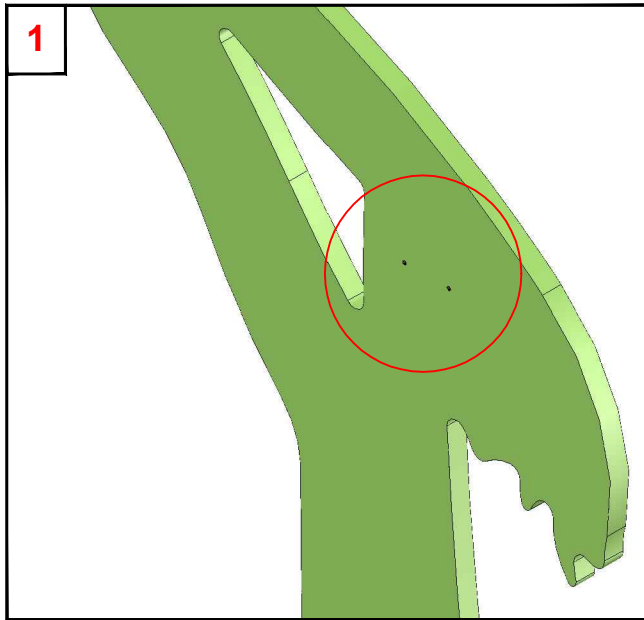


For accessories and product questions, visit us at [www.outdoornativitysets.com](http://www.outdoornativitysets.com)



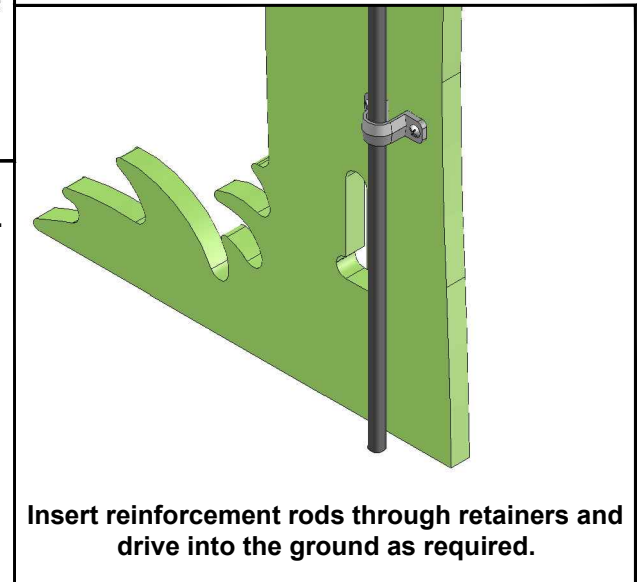
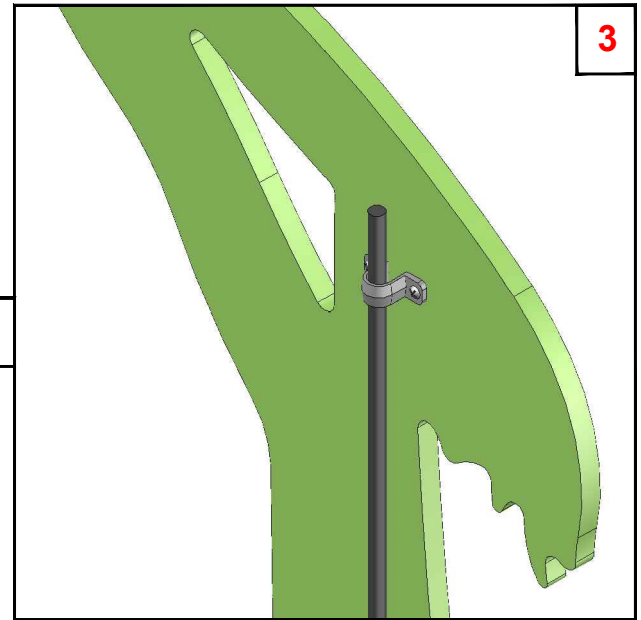
# Holy Night Outdoor Nativity Set - Standard Size

## Optional Support Fastening Instructions



Secure plastic stake retainers with screws provided.

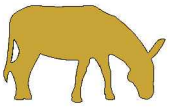
**IMPORTANT:**  
Use care not to over tighten screws.



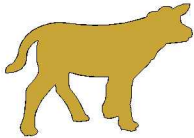
# Assembly Instructions

## for separately sold Nativity Figures

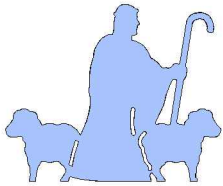
Illustrations are colored for clarity



Donkey



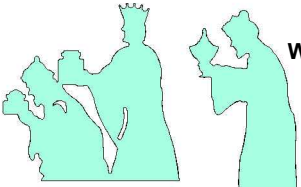
Calf



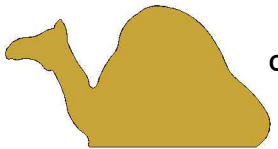
Shepherd and Sheep



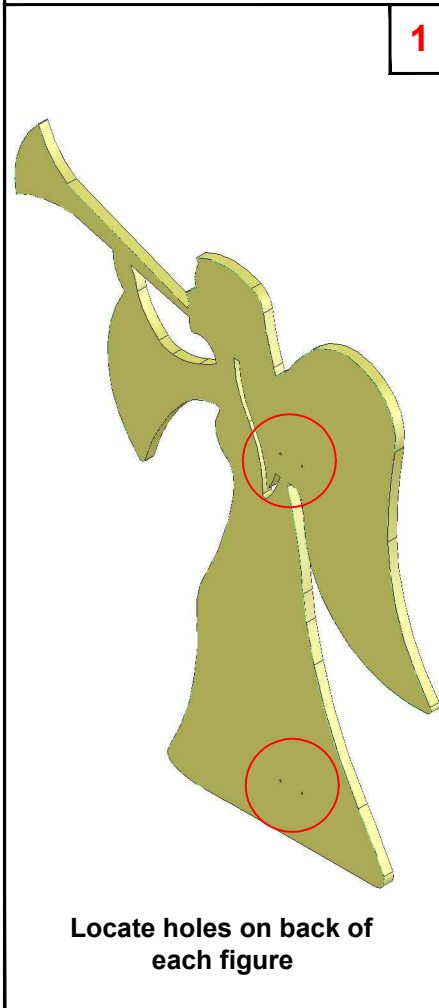
Angels



Wise Men

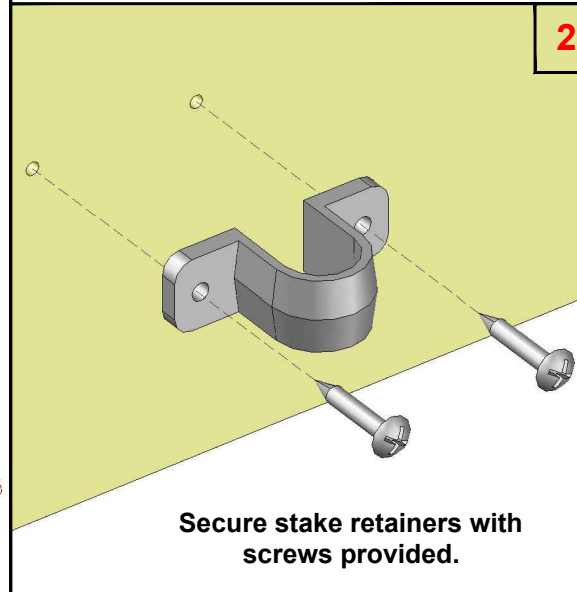


Camel



1

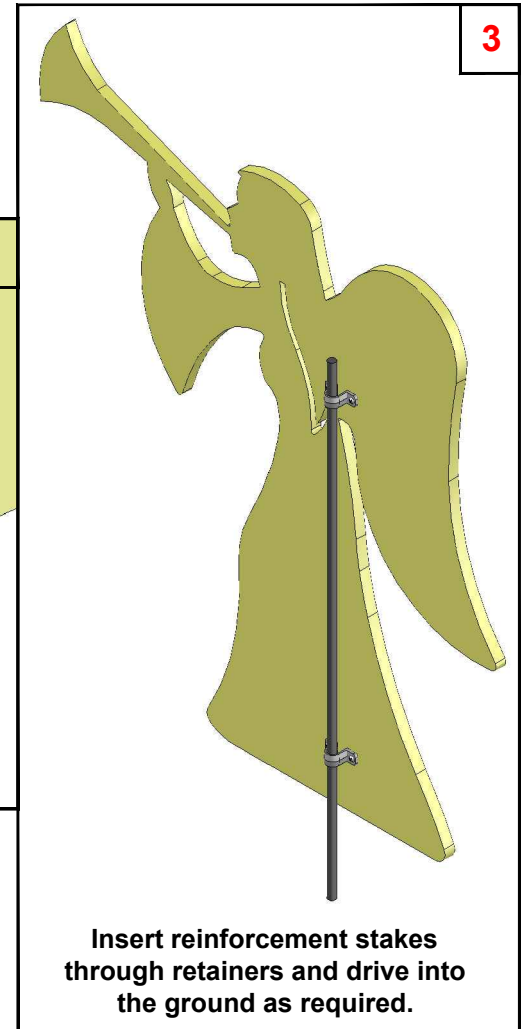
Each figure has mounting holes for support hardware. Angel is shown here for example.



2

Secure stake retainers with screws provided.

**IMPORTANT:**  
Use care not to over tighten screws.



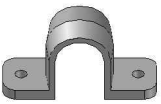
3

Insert reinforcement stakes through retainers and drive into the ground as required.

### Hardware

Reinforcement (3) @ 20" for: Camel, Donkey, Calf

Stakes: (5) @ 28" for: Wise Men, Angels, & Shepherd



Stake Retainers (16) (or 2 per figure)



Stainless Steel Screws (32) (or 4 per figure)

For accessories and product questions, visit us at [www.outdoornativitysets.com](http://www.outdoornativitysets.com)

