

OVHM80

Max Air Purifier



Index

Important Safeguards.....	2
Air purifier Description.....	3
Function Description.....	4
How to use.....	5
Maintenance.....	6
Troubleshooting.....	8

Important Safeguards!

READ ALL INSTRUCTIONS BEFORE USING THIS APPLIANCE.

WARNING: RISK OF ELECTRICAL SHOCK

- Safety precautions should always be used when operating this or any electrical appliance.
- Decrease the risk of electrocution, electric shock, injury or fire by reading and following all of the warnings below.
- To reduce the risk of electric shock, do not attempt to service the air purifier in any way other than to replace or clean the air filter.
- To reduce the risk of electric shock, this equipment has a polarized plug (one blade is wider than the other). This plug will fit in a polarized outlet only one way. If the plug does not fit fully in the outlet, reverse the plug. If it still does not fit, contact qualified personnel to install the proper outlet. Do not alter the plug in any way.
- Read all instructions before operating the air purifier.
- This product operates at 120V AC, 60Hz only.
- Do not run the power cord under carpets, and do not cover with throw rugs.
- This product is not intended to filter oil or grease from air.
- Always unplug the power cord from the electrical outlet when the air purifier is not in use or when changing the filter.
- Never run the air purifier unless it is fully assembled.
- Do not alter the plug in any way.
- Always turn off the air purifier before unplugging the air purifier from outlet.
- Do not place the cord near a heated surface.
- Never operate the air purifier if the plug or cord is damaged or appears damaged. Only qualified service personnel should ever replace or attempt to replace a damaged power cord.
- Never use the power cord to pick up, carry, drag, pull, or lift the air purifier. Do not pull the cord against or around sharp corners and edges.
- Always remove the plug from its power outlet by holding onto the plug itself and pulling gently.
- Never pull on the cord itself to unplug it from its power outlet.
- Use care when operating the air purifier by keeping all foreign objects, fingers, body parts, hair, loose clothing and jewelry away from openings.
- Never touch the air purifier or its plug when your hands are wet.
- CAUTION: THIS EQUIPMENT SHOULD BE INSPECTED, AND COLLECTOR CELLS SHOULD BE CLEANED IN ACCORDANCE WITH MANUFACTURER'S INSTRUCTIONS, ON A REGULAR BASIS TO PREVENT EXCESSIVE ACCUMULATION OF DUST PARTICLES THAT CAN RESULT IN FLASHOVER OR A RISK OF FIRE

Note:

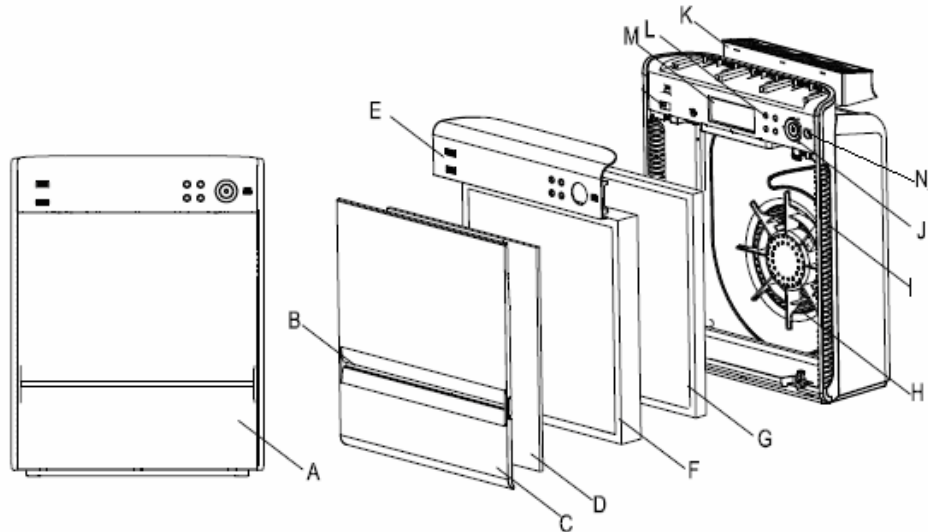
Before operating the air purifier, make sure the air filters inside the air purifier are not wrapped in plastic. When the air purifier is plugged in you should hear a beep. Press the Power button to turn it on. If the air purifier does not power on, ensure the front cover and filters are installed correctly.

Save these instructions!

1. Air Purifier Description

1.1 Main Structure

- A. Front view
- B. Front air flow inlet
- C. Front cover
- D. Pre-filter
- E. Front panel
- F. HEPA
- G. Carbon filter
- H. Fan
- I. Side air flow inlet
- J. Power button
- K. Air flow outlet
- L. Function buttons
- M. LED Display
- N. Air Quality sensor



1.2 Technical data

120V, 60Hz, 90W, 0.8A

1.3 Purifying Process and Main Features

1.3.1 Pre-Filter

Captures larger sized particles like dust. Can be cleaned by vacuuming lightly or wiping with a damp cloth. Do not wash or soak in water.

1.3.2 HEPA filter

HEPA filter to remove microscopic particles down to 0.3 microns in size such as fine dust, smoke, pollen, bacteria and mold.

1.3.3 Activated carbon filter

The activated carbon filter consists of a vast system of highly adsorbent molecular sized pores to remove gases, light odors and VOC s(volatile organic compounds).

1.3.4 Anion generator

Low level and ozone safe negative ionizer to freshen and balance the air (ie neutralizes a surplus of positive charges from TV's and computer monitors).

1.3.5 Air Quality Sensor (AQS)

Measures and displays the air quality. In Auto mode, the unit automatically adjusts its fan speed based upon the air quality reading. The sensor needs about 10 minutes to warm up to reach its maximum sensitivity. The display will flash AQS to indicate it is warming up and will stop flashing and display AQS when ready.

1.4 Placement

In order to get better performance in cleaning, it is recommended to place the purifier on the ground or a stable surface. Since the air is drawn in through the front of the air purifier it can be placed near a wall.

2. Function Description

2.1 Standby

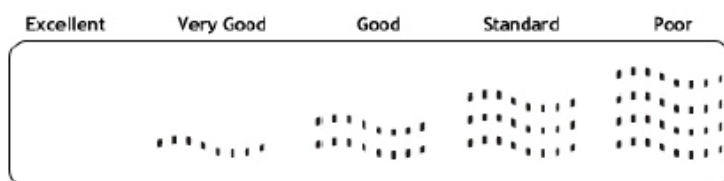
In standby mode, the standby indicator illuminates in red to show the air purifier has been plugged in and has power but is not operating.

2.2 Refresh

Anions are generated under this mode (low level negative ions).

2.3 Fan Speed

There are four different fan speeds with Silent the lowest and Turbo the highest fan speeds.



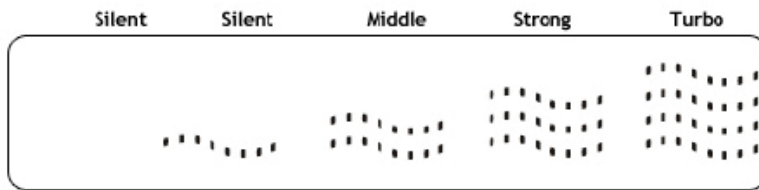
Note: the air quality reading is located above the "AQS". Since the air quality sensor is located on the air purifier the reading will be in the area of the air purifier. In many cases it will have a reading of Excellent or Very Good.

2.5 Auto

In auto mode, the fan speed of the air purifier will be set automatically based on the air quality detected by the sensor. We suggest setting the fan speed where you would like it before pressing Auto. Once pressed, the fan will stay at the same speed but the fan speed display will reflect the air quality reading as in the table below and not the current fan speed. For example, if

you are on the Strong fan speed and the air quality is very good the display on the air purifier will show Silent even though the fan speed is operating on Strong (speed 3).

Note: the air quality sensor works in many but not all environments. It measures fine particles so may not record dust or mold that you can see (larger particles). If you feel it is not reading properly we suggest you run the air purifier on a manual fan speed (not Auto mode).



The Refresh icon will be illuminated on the panel when the anion feature is activated. You can turn this off by pressing the Anion button.

In auto mode, the fan will stay on the speed that you select to run in normal operating mode but will automatically increase speed when the sensor detects extra particulates in the air.

2.6 Check Filter

When the purifier has run for a total time of 3,000 hours, the maintenance indicator illuminates to remind the user to check the pre-filter and activated carbon filter. The HEPA filter has a color shade on the frame to see whether it is time to be replaced.

After maintenance, press “Fan Speed” and “Anion” buttons simultaneously for 3 seconds to reset the counter. Please note that whenever the “Fan Speed” and “Anion” buttons are pressed at the same time, the counter will be reset.

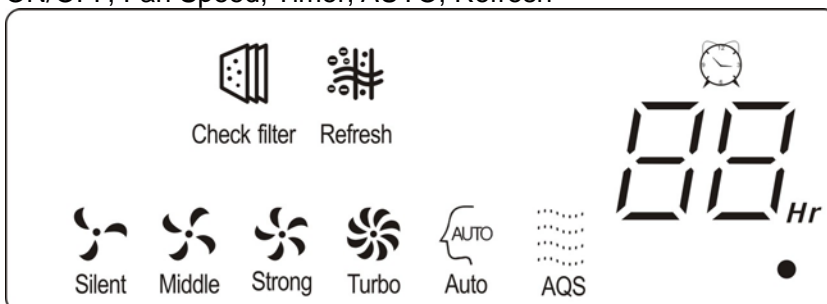
If users do not reset the counter after checking the filter or forget to check the filter after 3,000 hours, “Check Filter” will blink after 3,500 hours as a reminder.

3. How to Use

3.1 Buttons and Display

3.1.1 Buttons

ON/OFF, Fan Speed, Timer, AUTO, Refresh



3.2 Operation Guide

3.2.1 On/Off

When plugged in, the unit will beep and illuminate the icons on the display. Press the ON/OFF

button and the unit will start on the Strong fan speed. Any time the unit is restarted, it will remember its last working status.

Night Mode – By pressing the Power button for 3 seconds you can turn off the light around the power button. This will not turn off the icons on the display.

3.2.2 Fan Speed

The fan speed cycles in the following order:

Strong ---Turbo --- Silent --- Middle

The lighted indicator around the power button indicates the fan speed with different colors. Silent is green, Middle is blue, Strong is orange and Turbo is red.

3.2.3 Refresh

Press this button and the ionizer starts generating anions (negative ions). Press this button again to turn off. The refresh icon will be illuminated when the anion feature is activated.

3.2.4 Countdown Timer

Press the Timer button to set the number of hours the air purifier will run before turning off. With each press of this button, the time will increase 1 hour and max at 12 hours. Pressing again after 12 hours will turn off the timer.

4. Maintenance

4.1 Cover and Housing

4.1.1 Power off the unit and unplug before any maintenance.

4.1.2 Clean the unit only when necessary. If the unit is used in a dirty environment it may need cleaning more frequently.

4.1.3 Wipe any dust away with a soft cloth (can be dry or damp).

4.1.4 Do not use any cleaners or chemicals on the air purifier.

4.2 Sensors

4.2.1 Clean out the dust blocking the sensors' air inlet

4.2.2 If the sensor is giving a false reading, vacuum around the sensor to remove any dust that may have accumulated there.

4.3 Filters

The filters should be cleaned or replaced regularly.

Pre-filter: It can be vacuumed lightly but DO NOT rinse it. It's recommended to clean this filter every 3 months and replace it after 1 year.

HEPA filter and Carbon filter: When the purifier has run for 3,000 hours, the maintenance indicator illuminates to remind the user to check the HEPA and carbon filters. The HEPA filter has a color shade on the frame to see whether it is necessary to replace. Please replace it when the color is dark. After maintenance, press "Fan Speed" and "Anion" buttons simultaneously for 3 seconds to reset the filter replacement indicator.

4.3.1 Disassembly

Using the front cover removal tool, or any non-conductive item such as a plastic utensil, wooden chop stick or similar, insert the tool into the uppermost side air intake slot and gently push outwards against the back surface of the front cover until the top corner of the front panel 'pops' free, as shown below.

Repeat this process for the other side and then lift the entire front panel up and away from the main body, exposing the filter compartment. Place the front panel out of the way and protect it from damage.



1



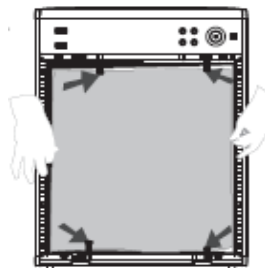
2

NOTE: Any non-conductive implement such as the handle of a plastic utensil, a wooden chopstick or similar item can be used in place of the tool provided with your unit.

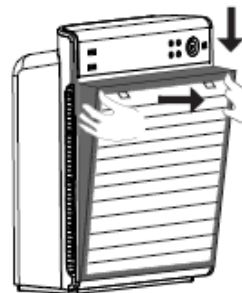
1. Pre-filter: Turn the 4 locks per the direction of the arrows to release the pre-filter.
2. HEPA filter: Hold the small ribbon and pull the filter out.
3. Carbon filter: Hold the small ribbon and pull the filter out.



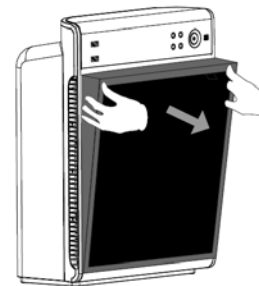
1



2



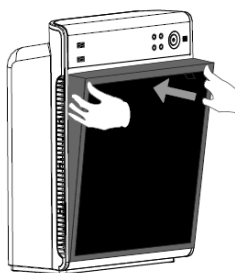
3



4

4.3.2 Assembly

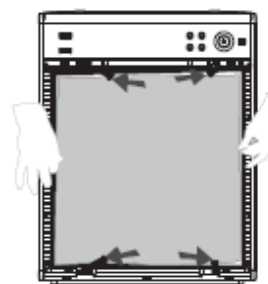
1. Carbon filter: Put the filter in place from the bottom and then push it into the cabinet.
2. HEPA filter: Put the filter in place from the bottom and then push it into the cabinet.
3. Pre-filter: Place in the pre-filter and turn the locks to secure it.
4. Front cover: Secure the interlock at the bottom first and push the whole cover inwards at the top two corners to secure it.



1



2



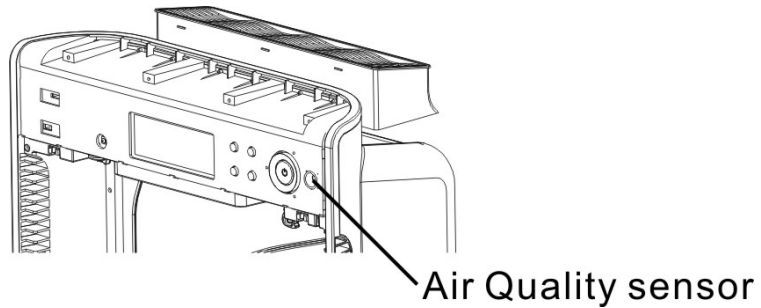
3



4

5. Troubleshooting

Problems	Cause	Solution
Air Quality indicator constantly shows poor air quality.	Lens inside the sensor is dirty.	Turn off and vacuum the sensor (to the right of the power button). Wait a few seconds and power back on.
Unit will not turn on.	Cover is not fully closed, may be blocked by filters. This occurs sometimes in shipment.	Remove the front cover and all of the filters. Re-install the filters and ensure each is fully installed. Re-install the front cover with the bottom edge first and then rotate to snap the top two corners in place.



Oransi LLC

www.oransi.com