



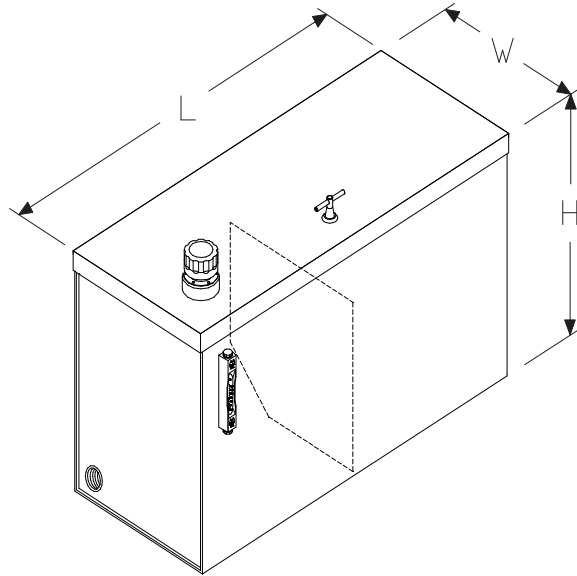
# Rectangle Reservoir



## STANDARD RECTANGLE RESERVOIR

### Each Reservoir Includes The Following Standard Features & Accessories:

- ❑ Weld Riser with Filler / Breather
- ❑ Fluid Level / Temp. Gauge ( 5" )
- ❑ Hinged lid with T-handle latch, lid catch and 1/4" thick flat gasket.
- ❑ Baffle with cutouts
- ❑ 3/4" N.P.T. drain
- ❑ Interior and exterior treated with a rust preventative oil coating. All reservoirs shipped unprimed.
- ❑ Tank is constructed of 7ga. and the top is constructed of 12ga.
- ❑ Material is Pickled and Oiled steel
- ❑ All accessories are shipped loose inside of reservoir.
- ❑ No mounting holes (customer supplies).



<b>DIMENSIONAL DATA</b>					
MODEL NUMBER	GALLON CAPACITY	LENGTH L	WIDTH W	HEIGHT H	WEIGHT IN LBS.
<b>R - 10</b>	10 GAL	24"	11"	15"	90
<b>R - 20</b>	20 GAL	30"	13"	17 1/4"	127
<b>R - 30</b>	30 GAL	36"	13"	19 1/2"	158
<b>R - 45</b>	45 GAL	48"	15"	19 1/2"	214
<b>R - 60</b>	60 GAL	48"	15"	24"	245
<b>R - 80</b>	80 GAL	60"	15"	25 1/2"	307
<b>R - 100</b>	100 GAL	60"	15"	32 1/2"	364

**For custom reservoirs of this style please use page 27.**

NOTE: Due to product improvement, specifications and price are subject to change without notice.

\*\* All List Prices are in US currency and all shipments are FOB from factory.

Copyright 1998-2008© by Saint Machinery, Inc.