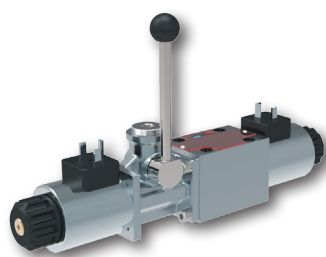


## Auxiliary Lever Override for Solenoid Operated Valves

### RPER3-06

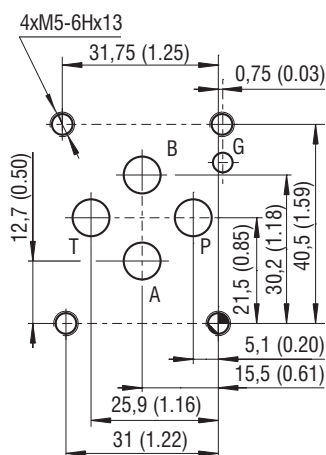
Size 06 (D03) •  $Q_{max}$  80 l/min (21 GPM) •  $p_{max}$  350 bar (5100 PSI)



#### Technical Features

- › Auxiliary lever overrides for ON-OFF solenoid valves of the type RPE3-06 (Datasheet No. 4010) with Size 06 and mounting interface acc. to ISO 4401, DIN 24340 (CETOP 03)
- › Auxiliary lever operators allow the valve to be operated when electrical system is de-energized, e.g. emergency operation, electrical failures, maintenance activities
- › For proportional valves please consult our technical department for their identification and feasibility
- › Manual lever and actuation element can be rotated in 90° increments for flexible installation
- › When the valve is electrically operated the hand lever remains stopped in its neutral position
- › The lever override does not affect the performances of the base valve
- › In the standard version, the valve housings are phosphated and the steel parts are zinc-coated for 240 h salt spray protection acc. to ISO 9227
- › Enhanced surface protection for mobile sector available (ISO 9227, 520 h salt spray)

ISO 4401-03-02-0-05



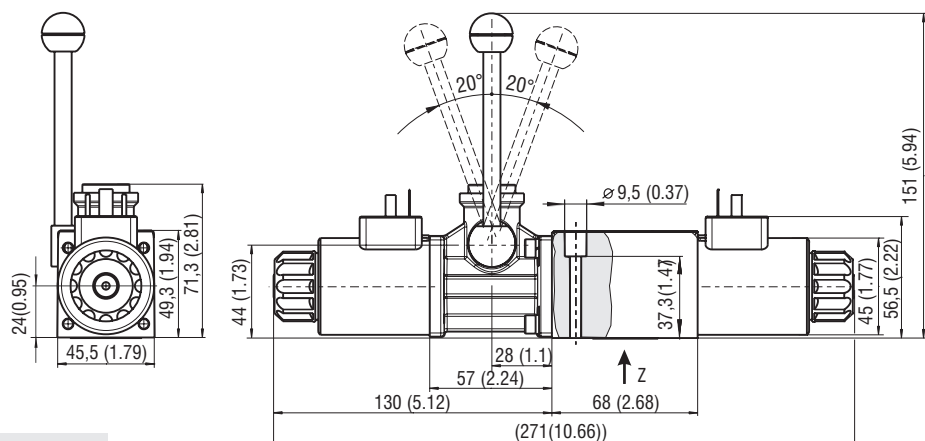
Ports P, A, B, T max  $\varnothing$  7.5 mm (0.29 in)

#### Technical Data

Valve size	06 (D03)	
Max. operating pressure at port P, A, B	bar (PSI)	350 (5080)
Max. operating pressure at port T	bar (PSI)	100 (1450)
Fluid temperature range (NBR)	°C (°F)	-30 ... +80 (-22 ... +176)
Fluid temperature range (FPM)	°C (°F)	-20 ... +80 (-4 ... +176)
Ambient temperature range	°C (°F)	-30 ... +50 (-22 ... +122)
Service life	cycles	10 <sup>6</sup>
Rated power supply voltage	%	AC: $\pm$ 10      DC: $\pm$ 10
Max. switching frequency	1/h	10 000
Lever characteristics		
Total stroke angle	deg	$\pm$ 20
Working stroke angle		$\pm$ 12 to 20
Operating force	N (lbf)	40 (29.5)
Lever device mass	kg (lbs)	0.59 (1.3)
	Data Sheet	Type
General information	GI_0060	Products and operating conditions
Coil types / connectors	C_8007 / K_8008	C22B* / K*
Mounting interface / tolerances	SMT_0019	Size 06
Spare parts	SP_8010	

#### Dimensions in millimeters (inches)

RPER3-063 \*/ A19

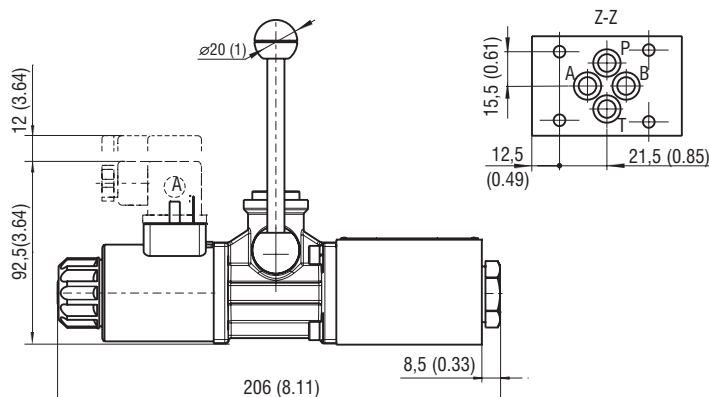


The lever operator should never be used when any solenoid is energized.

RPER3-062 \*/ A19

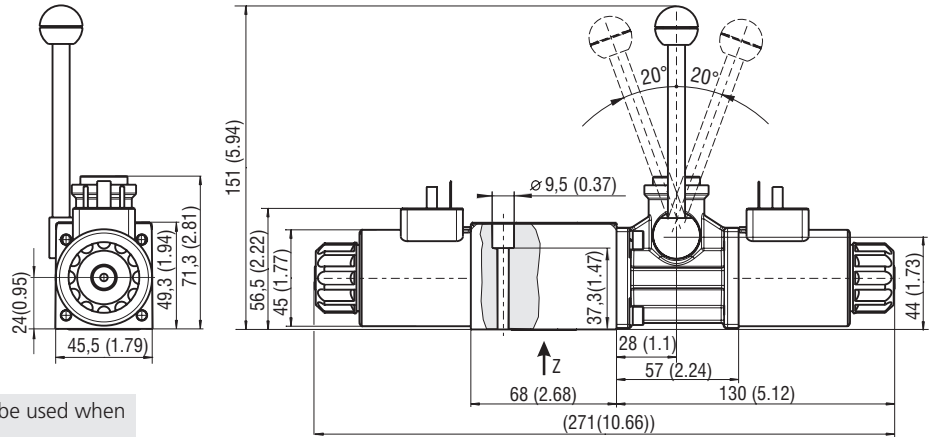
Manual lever and actuating section is shown in the standard supplied position which is the most frequently used. Both elements can be rotated to various positions 90° apart. For other positions of lever and actuating section consult our technical department for their identification.

Mounting screws 8.9 Nm (6.56 lbf.ft)  
M5 x 45 DIN 912-10.9



**Dimensions** in millimeters (inches)

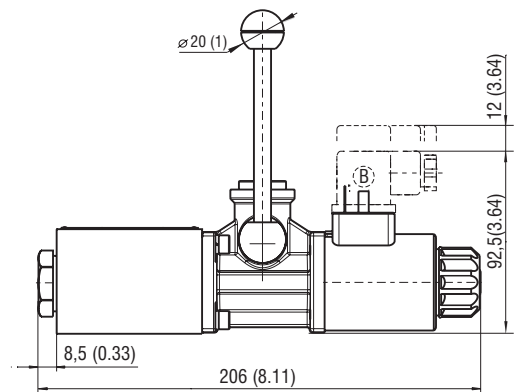
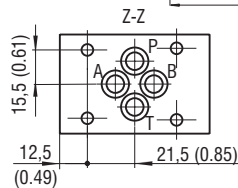
**RPER3-063 \*/ B19**



The lever operator should never be used when any solenoid is energized.

**RPER3-062 \*/ B19**

Manual lever and actuating section is shown in the standard supplied position which is the most frequently used. Both elements can be rotated to various positions 90° apart. For other positions of lever and actuating section consult our technical department for their identification.



Mounting screws 8.9 Nm (6.56 lbf.ft)  
M5 x 45 DIN 912-10.9

**Ordering Code**

**RPER3-06**   /     /  -  -

**4/2 and 4/3 directional control valve, solenoid operated with lever override**

**Valve size**

**Number of valve positions**

two **2**  
three **3**

**Spool symbols**

see the table Spool symbols on Datasheet RPE3-06 (4010)

**Rated supply voltage of solenoids**

(at the coil terminals)

12 V DC / 2.72 A	<b>01200</b>
24 V DC / 1.29 A	<b>02400</b>
27 V DC / 1.07 A	<b>02700</b>
205 V DC / 0.15 A	<b>20500</b>
24 V AC / 1.56 A / 50 (60) Hz	<b>02450</b>
120 V AC / 0.26 A / 60 Hz	<b>12060</b>
230 V AC / 0.15 A / 50 (60) Hz	<b>23050</b>

For directional valves with two solenoids, one solenoid must be de-energized before the other solenoid can be charged.  
For AC voltage supply use coils with connector type E5.  
For other solenoid voltage supply options see data sheet C\_8007.  
The solenoid operated valves are delivered without connectors.  
For available connectors see data sheet K\_8008.  
The orifice to the P port can be ordered separately, see data sheet SP\_8010.  
Mounting bolts M5 x 45 DIN 912-10.9 or studs must be ordered separately.

**Surface treatment**

No des.	body phosphated, steel parts
A	zinc-coated (ZnCr-3), ISO 9227 (240 h)
B	zinc-coated (ZnNi), ISO 9227 (520 h)

**Lever override length**

No designation	standard 102 mm
----------------	-----------------

**Manual lever and position of override actuating section**

A19	standard, lever on side A, upward
B19	standard, lever on side B, upward

**Seals**

No designation	NBR
V	FPM (Viton)

**Manual override at actuator system**

No designation	standard
----------------	----------

**Connector**

E1	EN 175301-803-A
E2	E1 with quenching diode
E3A	AMP Junior Timer - axial direction (2 pins; male)
E4A	E3A with quenching diode
E5	EN 175301-803-A with integrated rectifier
E8	loose conductors (two insulated wires)
E9	E8 with quenching diode
E12A	Deutsch DT04-2P - axial direction (2 pins; male)
E13A	E12A with quenching diode

Tightening torque is 8.9 Nm (6.56 lbf.ft)  
Besides the shown, commonly used valve versions other special models are available.  
Contact our technical support for their identification, feasibility and operating limits.

**For operating limits and pressure drop refer to Datasheet No. 4010 of the base valve RPE3-06.**