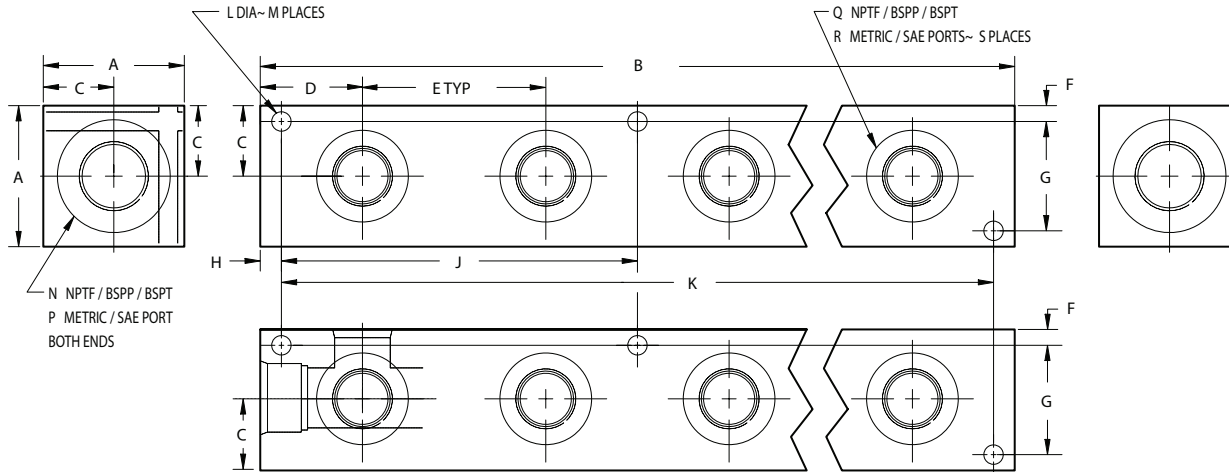


Header Manifolds - 90° Design

Header block mounting hardware is supplied, except for stainless. See page 201 for itemized list.



Specifications, descriptions, and dimensional data are subject to correction or change without notice or incurring obligation. Download latest catalog page revisions at www.daman.com.

Ordering Information

Material	Product Type	Side Port Layout	No. of Stations	Side Port Threads
----------	--------------	------------------	-----------------	-------------------

For **coating options** see pages 245-246.

Material	
A	Aluminum - 6061-T6 3000 [†] psi • 20.7 MPa
D	Ductile Iron - D4512 5000 [†] psi • 34.5 MPa
S	Stainless Steel - 17-4 5000 [†] psi • 34.5 MPa

[†] Working pressure should be considered in accordance with ISO 4413 to determine appropriate material type.

Side Port Layout	
090	Ports out two adjacent sides

No. of Stations	
01 thru 10	Check chart on next page to verify station-port size combinations

Product Type	
H	Header Block

Side Port Threads					
04B*	04P*	04T*	<small>B = BSPP • ISO 1179, BS 2779 P = NPTF • ANSI B1.20.3 T = BSPT • ISO 7, BS 21</small>	04M*	04S*
06B	06P	06T		06M*	06S*
08B*	08P*	08T*		08M*	08S*
12B**	12P**	12T**		12M**	12S**
16B**	16P**	16T**		16M**	16S**
20B**	20P**	20T**		20M**	20S**
24B	24P	24T		24M	24S

Check chart on next page to verify station-port size combinations

M = METRIC • ISO 6149
S = SAE • ISO 11926, SAE 1926

* Available in Stainless Steel
** Available in Stainless Steel, 1-5 stations
Note: Pipe ports in stainless can gall.

Header Manifolds - 90° Design

PART NO.	A	B	C	D	E	F	G	H	J	K	L	M	N	P	Q	R	S
H0900104	1.75	2.13	0.88	1.06	1.75	0.25	1.25	0.31	--	1.50	0.28	4	3/8	-6 or M14x1.5	1/4	-4 or M10x1.0	2
H0900204		3.88							--	3.25		4					
H0900304		5.63							--	5.00		4					
H0900404		7.38							--	6.75		4					
H0900504		9.13							5.13	8.50		6					
H0900604		10.88							5.13	10.25		6					
H0900704		12.63							6.88	12.00		6					
H0900804		14.38							6.88	13.75		6					
H0900904		16.13							8.63	15.50		6					
H0901004		17.88							8.63	17.25		6					
*H0900106[B,P,T]	2.00	3.00	1.00	1.50	2.00	0.25	1.50	0.31	--	2.38	0.28	4	1/2	--	3/8	--	2
*H0900206[B,P,T]		5.00							--	4.38		4					
*H0900306[B,P,T]		7.00							--	6.38		4					
*H0900406[B,P,T]		9.00							--	8.38		4					
*H0900506[B,P,T]		11.00							6.19	10.38		6					
*H0900606[B,P,T]		13.00							6.19	12.38		6					
*H0900706[B,P,T]		15.00							8.19	14.38		6					
*H0900806[B,P,T]		17.00							8.19	16.38		6					
*H0900906[B,P,T]		19.00							10.19	18.38		6					
*H0901006[B,P,T]		21.00							10.19	20.38		6					
*H0900106[M,S]	1.75	3.00	0.88	1.50	2.00	0.25	1.25	0.31	--	2.38	0.28	4	--	-8 or M18x1.5	--	-6 or M14x1.5	2
*H0900206[M,S]		5.00							--	4.38		4					
*H0900306[M,S]		7.00							--	6.38		4					
*H0900406[M,S]		9.00							--	8.38		4					
*H0900506[M,S]		11.00							6.19	10.38		6					
*H0900606[M,S]		13.00							6.19	12.38		6					
*H0900706[M,S]		15.00							8.19	14.38		6					
*H0900806[M,S]		17.00							8.19	16.38		6					
*H0900906[M,S]		19.00							10.19	18.38		6					
*H0901006[M,S]		21.00							10.19	20.38		6					
*H0900108[B,P,T]	2.00	3.00	1.00	1.50	2.38	0.25	1.50	0.31	--	2.38	0.28	4	3/4	--	1/2	--	2
*H0900208[B,P,T]		5.38							--	4.75		4					
*H0900308[B,P,T]		7.75							--	7.13		4					
*H0900408[B,P,T]		10.13							--	9.50		4					
*H0900508[B,P,T]		12.50							7.13	11.88		6					
*H0900608[B,P,T]		14.88							7.13	14.25		6					
*H0900708[B,P,T]		17.25							9.50	16.63		6					
*H0900808[B,P,T]		19.63							9.50	19.00		6					
*H0900908[B,P,T]		22.00							11.88	21.38		6					
*H0901008[B,P,T]		24.38							11.88	23.75		6					
*H0900108[M,S]	2.25	3.00	1.13	1.50	2.38	0.25	1.75	0.31	--	2.38	0.28	4	--	-12 or M27x2.0	--	-8 or M18x1.5	2
*H0900208[M,S]		5.38							--	4.75		4					
*H0900308[M,S]		7.75							--	7.13		4					
*H0900408[M,S]		10.13							--	9.50		4					
*H0900508[M,S]		12.50							7.13	11.88		6					
*H0900608[M,S]		14.88							7.13	14.25		6					
*H0900708[M,S]		17.25							9.50	16.63		6					
*H0900808[M,S]		19.63							9.50	19.00		6					
*H0900908[M,S]		22.00							11.88	21.38		6					
*H0901008[M,S]		24.38							11.88	23.75		6					
H0900112	2.50	3.63	1.25	1.81	3.25	0.28	1.94	0.38	--	2.88	0.34	4	1"	-16 or M33x2.0	3/4	-12 or M27x2.0	2
H0900212		6.88							--	6.13		4					
H0900312		10.13							--	9.38		4					
H0900412		13.38							--	12.63		4					
H0900512		16.63							9.56	15.88		6					
H0900612		19.88							9.56	19.13		6					
H0900712		23.13							12.81	22.38		6					
H0900812		26.38							12.81	25.63		6					
H0900912		29.63							16.06	28.88		6					
H0901012		32.88							16.06	32.13		6					

Chart continued on next page

Custom Products
 Standard Manifolds
 Cover Plates
 Valve Adaptors
 Subplates
 Servo Valve Subplates
 Tapping Plates
 DIN Cartridge Valve Bodies
 Header and Junction Blocks
 Technical Information

Header Manifolds - 90° Design (cont)

PART NO.	A	B	C	D	E	F	G	H	J	K	L	M	N	P	Q	R	S
H0900116		4.00							--	3.25		4					2
H0900216		7.75							--	7.00		4					4
H0900316		11.50							--	10.75		4					6
H0900416		15.25							--	14.50		4					8
H0900516	3.00	19.00	1.50	2.00	3.75	0.34	2.31	0.38	11.00	18.25		6	1-1/4	-20 or M42x2.0	1"	-16 or M33x2.0	10
H0900616		22.75							11.00	22.00		6					12
H0900716		26.50							14.75	25.75		6					14
H0900816		30.25							14.75	29.50		6					16
H0900916		34.00							18.50	33.25		6					18
H0901016		37.75							18.50	37.00		6					20
B.M, T ports = 0.41 P,S ports = 0.41																	
H0900120		4.50							--	3.50		4					2
H0900220		8.50							--	7.50		4					4
H0900320		12.50							--	11.50		4					6
H0900420		16.50							--	15.50		4					8
H0900520	3.50	20.50	1.75	2.25	4.00	0.41	2.69	0.50	11.75	19.50		6	1-1/2	-24 or M48x2.0	1-1/4	-20 or M42x2.0	10
H0900620		24.50							11.75	23.50	0.53	6					12
H0900720		28.50							15.75	27.50		6					14
H0900820		32.50							15.75	31.50		6					16
H0900920		36.50							19.75	35.50		6					18
H0901020		40.50							19.75	39.50		6					20
*H0900124[B,P,T]		5.00							--	4.00		4					2
*H0900224[B,P,T]		10.00							--	9.00		4					4
*H0900324[B,P,T]		15.00							--	14.00		4					6
*H0900424[B,P,T]		20.00							9.50	19.00		6					8
*H0900524[B,P,T]	4.00	25.00	2.00	2.50	5.00	0.41	3.19	0.50	14.50	24.00		6	2"	--	1-1/2	--	10
*H0900624[B,P,T]		30.00							14.50	29.00	0.53	6					12
*H0900724[B,P,T]		35.00							19.50	34.00		6					14
*H0900824[B,P,T]		40.00							19.50	39.00		6					16
*H0900924[B,P,T]		45.00							24.50	44.00		6					18
*H0901024[B,P,T]		50.00							24.50	49.00		6					20
*H0900124[M,S]		5.00							--	4.00		4					2
*H0900224[M,S]		10.00							--	9.00		4					4
*H0900324[M,S]		15.00							--	14.00		4					6
*H0900424[M,S]		20.00							9.50	19.00		6					8
*H0900524[M,S]	4.50	25.00	2.25	2.50	5.00	0.41	3.69	0.50	14.50	24.00		6	--	-32 or M60x2.0	---	-24 or M48x2.0	10
*H0900624[M,S]		30.00							14.50	29.00	0.53	6					12
*H0900724[M,S]		35.00							19.50	34.00		6					14
*H0900824[M,S]		40.00							19.50	39.00		6					16
*H0900924[M,S]		45.00							24.50	44.00		6					18
*H0901024[M,S]		50.00							24.50	49.00		6					20