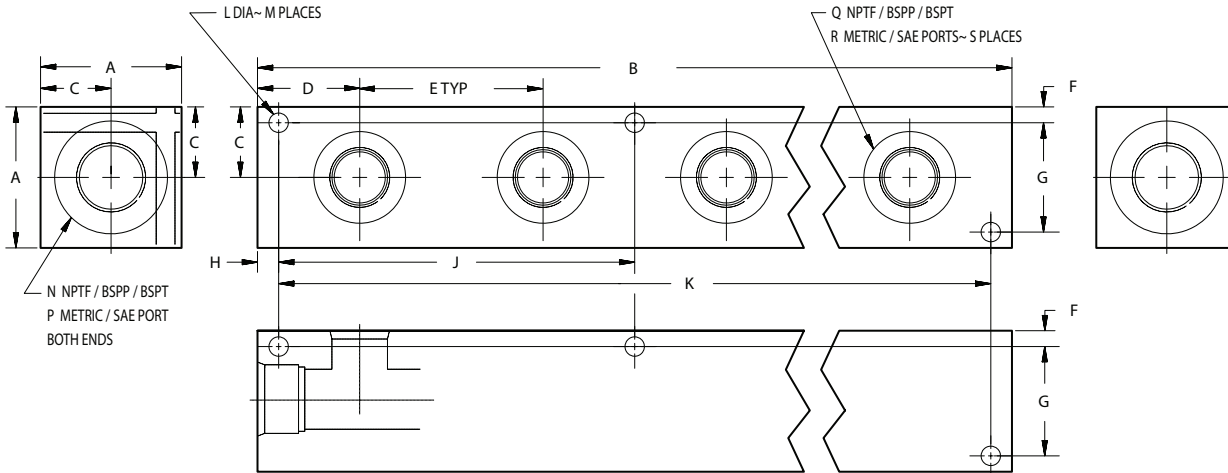


# Header Manifolds - 0° Design

Header block mounting hardware is supplied, except for stainless. See page 201 for itemized list.



Specifications, descriptions, and dimensional data are subject to correction or change without notice or incurring obligation. Download latest catalog page revisions at [www.daman.com](http://www.daman.com).

## Ordering Information

Material	Product Type	Side Port Layout	No. of Stations	Side Port Threads
----------	--------------	------------------	-----------------	-------------------

For **coating options** see pages 245-246.

Material	
<b>A</b>	Aluminum - 6061-T6 3000 <sup>†</sup> psi • 20.7 MPa
<b>D</b>	Ductile Iron - D4512 5000 <sup>†</sup> psi • 34.5 MPa
<b>S</b>	Stainless Steel - 17-4 5000 <sup>†</sup> psi • 34.5 MPa

<sup>†</sup> Working pressure should be considered in accordance with ISO 4413 to determine appropriate material type.

Side Port Layout	
<b>000</b>	Ports out one side only

No. of Stations	
<b>01</b> thru <b>10</b>	Check chart on next page to verify station-port size combinations

Product Type	
<b>H</b>	Header Block

Side Port Threads					
---	01P	01T	B = BSPP • ISO 1179, BS 2779 P = NPTF • ANSI B1.20.3 T = BSPT • ISO 7, BS 21	04M*	04S*
02B	02P	02T		06M*	06S*
04B*	04P*	04T*		08M*	08S*
06B	06P	06T		12M**	12S**
08B*	08P*	08T*		16M**	16S**
12B**	12P**	12T**		20M**	20S**
16B**	16P**	16T**		24M	24S
20B**	20P**	20T**		Check chart on next page to verify station-port size combinations	
24B	24P	24T			

\* Available in Stainless Steel  
\*\* Available in Stainless Steel, 1-5 stations  
**Note: Pipe ports in stainless can gall.**

# Header Manifolds - 0° Design

PART NO.	A	B	C	D	E	F	G	H	J	K	L	M	N	P	Q	R	S
*H0000101[P,T]	1.25	2.00	0.63	1.00	1.25	0.17	0.91	0.31	--	1.38	0.22	4	1/8	--	1/16	--	1
*H0000201[P,T]		3.25							--	2.63		4					2
*H0000301[P,T]		4.50							--	3.88		4					3
*H0000401[P,T]		5.75							--	5.13		4					4
*H0000501[P,T]		7.00							--	6.38		4					5
*H0000601[P,T]		8.25							3.81	7.63		6					6
*H0000701[P,T]		9.50							5.06	8.88		6					7
*H0000801[P,T]		10.75							5.06	10.13		6					8
*H0000901[P,T]		12.00							6.31	11.38		6					9
*H0001001[P,T]		13.25							6.31	12.63		6					10
*H0000102[B,P,T]	1.50	2.25	0.75	1.13	1.38	0.25	1.00	0.31	--	1.63	0.28	4	1/4	--	1/8	--	1
*H0000202[B,P,T]		3.63							--	3.00		4					2
*H0000302[B,P,T]		5.00							--	4.38		4					3
*H0000402[B,P,T]		6.38							--	5.75		4					4
*H0000502[B,P,T]		7.75							4.25	7.13		6					5
*H0000602[B,P,T]		9.13							4.25	8.50		6					6
*H0000702[B,P,T]		10.50							5.63	9.88		6					7
*H0000802[B,P,T]		11.88							5.63	11.25		6					8
*H0000902[B,P,T]		13.25							7.00	12.63		6					9
*H0001002[B,P,T]		14.63							7.00	14.00		6					10
*H0000104*	1.75	2.13	0.88	1.06	1.75	0.25	1.25	0.31	--	1.50	0.28	4	3/8	-6 or M14x1.5	1/4	-4 or M10x1.0	1
*H0000204*		3.88							--	3.25		4					2
*H0000304*		5.63							--	5.00		4					3
*H0000404*		7.38							--	6.75		4					4
*H0000504*		9.13							5.13	8.50		6					5
*H0000604*		10.88							5.13	10.25		6					6
*H0000704*		12.63							6.88	12.00		6					7
*H0000804*		14.38							6.88	13.75		6					8
*H0000904*		16.13							8.63	15.50		6					9
*H0001004*		17.88							8.63	17.25		6					10
*H0000106[B,P,T]	2.00	3.00	1.00	1.50	2.00	0.25	1.50	0.31	--	2.38	0.28	4	1/2	--	3/8	--	1
*H0000206[B,P,T]		5.00							--	4.38		4					2
*H0000306[B,P,T]		7.00							--	6.38		4					3
*H0000406[B,P,T]		9.00							--	8.38		4					4
*H0000506[B,P,T]		11.00							6.19	10.38		6					5
*H0000606[B,P,T]		13.00							6.19	12.38		6					6
*H0000706[B,P,T]		15.00							8.19	14.38		6					7
*H0000806[B,P,T]		17.00							8.19	16.38		6					8
*H0000906[B,P,T]		19.00							10.19	18.38		6					9
*H0001006[B,P,T]		21.00							10.19	20.38		6					10
*H0000106[M,S]	1.75	3.00	0.88	1.50	2.00	0.25	1.25	0.31	--	2.38	0.28	4	--	-8 or M18x1.5	--	-6 or M14x1.5	1
*H0000206[M,S]		5.00							--	4.38		4					2
*H0000306[M,S]		7.00							--	6.38		4					3
*H0000406[M,S]		9.00							--	8.38		4					4
*H0000506[M,S]		11.00							6.19	10.38		6					5
*H0000606[M,S]		13.00							6.19	12.38		6					6
*H0000706[M,S]		15.00							8.19	14.38		6					7
*H0000806[M,S]		17.00							8.19	16.38		6					8
*H0000906[M,S]		19.00							10.19	18.38		6					9
*H0001006[M,S]		21.00							10.19	20.38		6					10
*H0000108[B,P,T]	2.00	3.00	1.00	1.50	2.38	0.25	1.50	0.31	--	2.38	0.28	4	3/4	--	1/2	--	1
*H0000208[B,P,T]		5.38							--	4.75		4					2
*H0000308[B,P,T]		7.75							--	7.13		4					3
*H0000408[B,P,T]		10.13							--	9.50		4					4
*H0000508[B,P,T]		12.50							7.13	11.88		6					5
*H0000608[B,P,T]		14.88							7.13	14.25		6					6
*H0000708[B,P,T]		17.25							9.50	16.63		6					7
*H0000808[B,P,T]		19.63							9.50	19.00		6					8
*H0000908[B,P,T]		22.00							11.88	21.38		6					9
*H0001008[B,P,T]		24.38							11.88	23.75		6					10

Chart continued on next page

Custom Products  
 Standard Manifolds  
 Cover Plates  
 Valve Adaptors  
 Subplates  
 Servo Valve Subplates  
 Tapping Plates  
 DIN Cartridge Valve Bodies  
 Header and Junction Blocks  
 Technical Information

# Header Manifolds - 0° Design (cont)

PART NO.	A	B	C	D	E	F	G	H	J	K	L	M	N	P	Q	R	S
*H0000108[M,S]		3.00							--	2.38		4					1
*H0000208[M,S]		5.38							--	4.75		4					2
*H0000308[M,S]		7.75							--	7.13		4					3
*H0000408[M,S]		10.13							--	9.50		4					4
*H0000508[M,S]	2.25	12.50	1.13	1.50	2.38	0.25	1.75	0.31	7.13	11.88	0.28	6	--	-12 or M27x2.0	--	-8 or M18x1.5	5
*H0000608[M,S]		14.88							7.13	14.25		6					6
*H0000708[M,S]		17.25							9.50	16.63		6					7
*H0000808[M,S]		19.63							9.50	19.00		6					8
*H0000908[M,S]		22.00							11.88	21.38		6					9
*H0001008[M,S]		24.38							11.88	23.75		6					10
*H0000112*		3.63							--	2.88		4					1
*H0000212*		6.88							--	6.13		4					2
*H0000312*		10.13							--	9.38		4					3
*H0000412*		13.38							--	12.63		4					4
*H0000512*	2.50	16.63	1.25	1.81	3.25	0.28	1.94	0.38	9.56	15.88	0.34	6	1"	-16 or M33x2.0	3/4	-12 or M27x2.0	5
*H0000612*		19.88							9.56	19.13		6					6
*H0000712*		23.13							12.81	22.38		6					7
*H0000812*		26.38							12.81	25.63		6					8
*H0000912*		29.63							16.06	28.88		6					9
*H0001012*		32.88							16.06	32.13		6					10
*H0000116*		4.00							--	3.25		4					1
*H0000216*		7.75							--	7.00		4					2
*H0000316*		11.50							--	10.75		4					3
*H0000416*		15.25							--	14.50		4					4
*H0000516*	3.00	19.00	1.50	2.00	3.75	0.34	2.31	0.38	11.00	18.25		6	1-1/4	-20 or M42x2.0	1"	-16 or M33x2.0	5
*H0000616*		22.75							11.00	22.00		6					6
*H0000716*		26.50							14.75	25.75		6					7
*H0000816*		30.25							14.75	29.50		6					8
*H0000916*		34.00							18.50	33.25		6					9
*H0001016*		37.75							18.50	37.00		6					10
*H0000120*		4.50							--	3.50		4					1
*H0000220*		8.50							--	7.50		4					2
*H0000320*		12.50							--	11.50		4					3
*H0000420*		16.50							--	15.50		4					4
*H0000520*	3.50	20.50	1.75	2.25	4.00	0.41	2.69	0.50	11.75	19.50	0.53	6	1-1/2	-24 or M48x2.0	1-1/4	-20 or M42x2.0	5
*H0000620*		24.50							11.75	23.50		6					6
*H0000720*		28.50							15.75	27.50		6					7
*H0000820*		32.50							15.75	31.50		6					8
*H0000920*		36.50							19.75	35.50		6					9
*H0001020*		40.50							19.75	39.50		6					10
*H0000124[B,P,T]		5.00							--	4.00		4					1
*H0000224[B,P,T]		10.00							--	9.00		4					2
*H0000324[B,P,T]		15.00							--	14.00		4					3
*H0000424[B,P,T]		20.00							9.50	19.00		6					4
*H0000524[B,P,T]	4.00	25.00	2.00	2.50	5.00	0.41	3.19	0.50	14.50	24.00	0.53	6	2"	--	1-1/2	--	5
*H0000624[B,P,T]		30.00							14.50	29.00		6					6
*H0000724[B,P,T]		35.00							19.50	34.00		6					7
*H0000824[B,P,T]		40.00							19.50	39.00		6					8
*H0000924[B,P,T]		45.00							24.50	44.00		6					9
*H0001024[B,P,T]		50.00							24.50	49.00		6					10
*H0000124[M,S]		5.00							--	4.00		4					1
*H0000224[M,S]		10.00							--	9.00		4					2
*H0000324[M,S]		15.00							--	14.00		4					3
*H0000424[M,S]		20.00							9.50	19.00		6					4
*H0000524[M,S]	4.50	25.00	2.25	2.50	5.00	0.41	3.69	0.50	14.50	24.00	0.53	6	--	-32 or M60x2.0	--	-24 or M48x2.0	5
*H0000624[M,S]		30.00							14.50	29.00		6					6
*H0000724[M,S]		35.00							19.50	34.00		6					7
*H0000824[M,S]		40.00							19.50	39.00		6					8
*H0000924[M,S]		45.00							24.50	44.00		6					9
*H0001024[M,S]		50.00							24.50	49.00		6					10