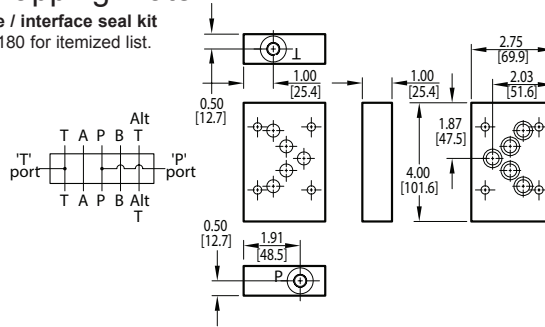


# D05 Tapping Plates

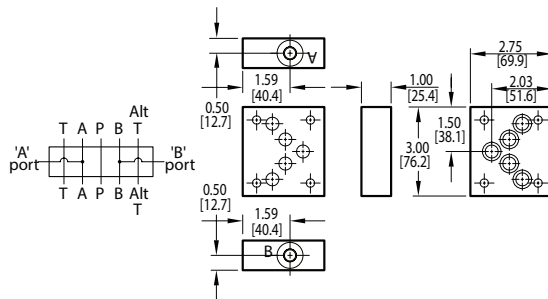
## P and T Port Tapping Plate

Tapping Plate hardware / interface seal kit is supplied. See page 180 for itemized list.



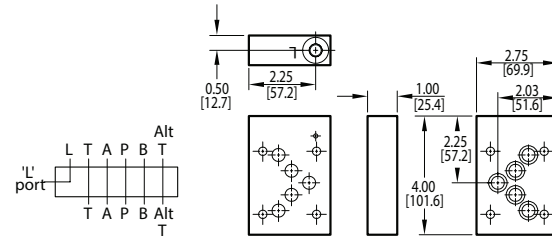
## A and B Port Tapping Plate

Tapping Plate hardware / interface seal kit is supplied. See page 180 for itemized list.



## L Port Tapping Plate

Tapping Plate interface seal kit is supplied. See page 180 for itemized list.



Specifications, descriptions, and dimensional data are subject to correction or change without notice or incurring obligation. Download latest catalog page revisions at [www.daman.com](http://www.daman.com).

# Ordering Information

Material	Valve Pattern	Product Type	Circuit	Port Threads
----------	---------------	--------------	---------	--------------

For **coating options** see pages 245-246.

Material	
<b>A</b>	Aluminum - 6061-T6 3000† psi • 20.7 MPa
<b>D</b>	Ductile Iron - D4512 5000† psi • 34.5 MPa

† Working pressure should be considered in accordance with ISO 4413 to determine appropriate material type.

Product Type	
<b>TP</b>	Tapping Plate

Valve Pattern	
<b>D05</b>	ISO 4401-05-04 NFPA T3.5.1-D05 See Tech Information

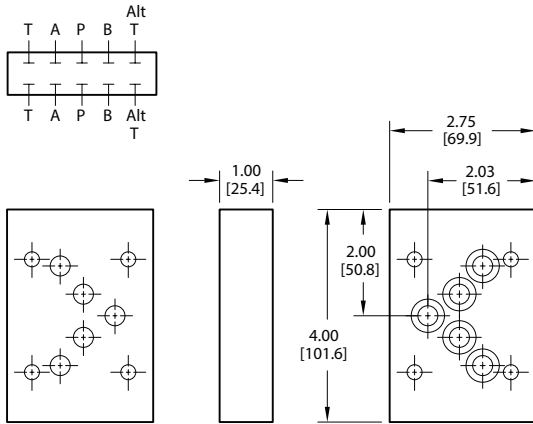
Circuit	
<b>PT</b>	P and T ports provided
<b>AB</b>	A and B ports provided
<b>L</b>	L port provided

Port Threads	
<b>4P</b>	0.25-18 NPTF ANSI B1.20.3
<b>4S</b>	-4 SAE ISO 11926; SAE 1926
<b>4B</b>	0.25-19 BSPP ISO 1179; BS 2779
<b>4M</b>	M10 x 1.0 ISO 6149
<b>4T</b>	0.25-19 BSPT ISO 7; BS 21

# D05 Tapping Plates

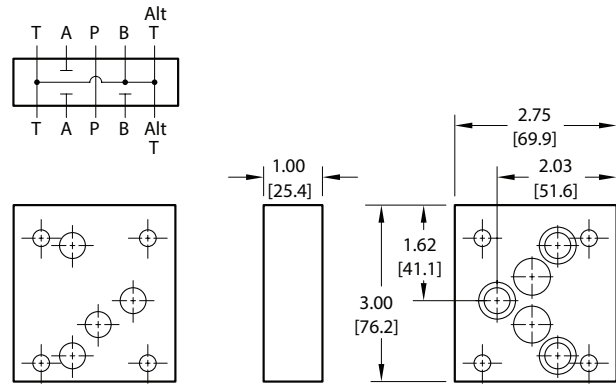
## Spot Drilled Tapping Plate

Tapping Plate interface seal kit is supplied.  
See page 180 for itemized list.



## B to T vent Tapping Plate

Tapping Plate interface seal kit is supplied.  
See page 180 for itemized list.



Specifications, descriptions, and dimensional data are subject to correction or change without notice or incurring obligation. Download latest catalog page revisions at [www.daman.com](http://www.daman.com).

# Ordering Information

Material	Valve Pattern	Product Type	Circuit																						
<table border="1"> <thead> <tr> <th colspan="2">Material</th> </tr> </thead> <tbody> <tr> <td><b>A</b></td> <td>Aluminum - 6061-T6 3000<sup>†</sup> psi • 20.7 MPa</td> </tr> <tr> <td><b>D</b></td> <td>Ductile Iron - D4512 5000<sup>†</sup> psi • 34.5 MPa</td> </tr> <tr> <td colspan="2"> <sup>†</sup> Working pressure should be considered in accordance with ISO 4413 to determine appropriate material type.                 </td> </tr> </tbody> </table>	Material		<b>A</b>	Aluminum - 6061-T6 3000 <sup>†</sup> psi • 20.7 MPa	<b>D</b>	Ductile Iron - D4512 5000 <sup>†</sup> psi • 34.5 MPa	<sup>†</sup> Working pressure should be considered in accordance with ISO 4413 to determine appropriate material type.		<table border="1"> <thead> <tr> <th colspan="2">Valve Pattern</th> </tr> </thead> <tbody> <tr> <td><b>D05</b></td> <td>ISO 4401-05-04 NFPA T3.5.1-D05 See Tech Infomation</td> </tr> </tbody> </table>	Valve Pattern		<b>D05</b>	ISO 4401-05-04 NFPA T3.5.1-D05 See Tech Infomation	<table border="1"> <thead> <tr> <th colspan="2">Product Type</th> </tr> </thead> <tbody> <tr> <td><b>TP</b></td> <td>Tapping Plate</td> </tr> </tbody> </table>	Product Type		<b>TP</b>	Tapping Plate	<table border="1"> <thead> <tr> <th colspan="2">Circuit</th> </tr> </thead> <tbody> <tr> <td><b>SD</b></td> <td>Spot drilled ports</td> </tr> <tr> <td><b>BTV</b></td> <td>B to T vent plate</td> </tr> </tbody> </table>	Circuit		<b>SD</b>	Spot drilled ports	<b>BTV</b>	B to T vent plate
Material																									
<b>A</b>	Aluminum - 6061-T6 3000 <sup>†</sup> psi • 20.7 MPa																								
<b>D</b>	Ductile Iron - D4512 5000 <sup>†</sup> psi • 34.5 MPa																								
<sup>†</sup> Working pressure should be considered in accordance with ISO 4413 to determine appropriate material type.																									
Valve Pattern																									
<b>D05</b>	ISO 4401-05-04 NFPA T3.5.1-D05 See Tech Infomation																								
Product Type																									
<b>TP</b>	Tapping Plate																								
Circuit																									
<b>SD</b>	Spot drilled ports																								
<b>BTV</b>	B to T vent plate																								

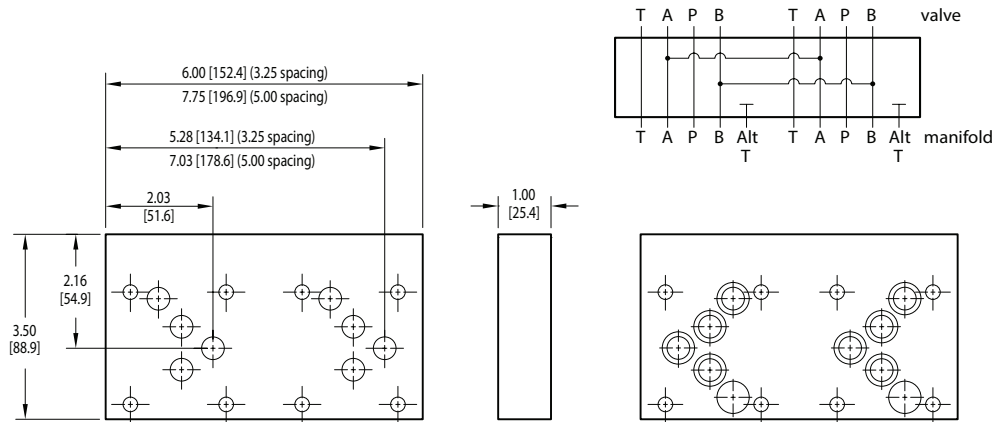
For **coating options** see pages 245-246.

# D05 Tapping Plates

## D05 Two Station Tapping Plate

A<sub>1</sub> common to A<sub>2</sub>, B<sub>1</sub> common to B<sub>2</sub>

Tapping Plate interface seal kit is supplied.  
See page 180 for itemized list.



Specifications, descriptions, and dimensional data are subject to correction or change without notice or incurring obligation. Download latest catalog page revisions at [www.daman.com](http://www.daman.com).

# Ordering Information

For coating options  
see pages 245-246.

Material	Valve Pattern	Product Type	No. of Stations	Valve Spacing	Circuit																														
<table border="1"> <thead> <tr> <th colspan="2">Material</th> </tr> </thead> <tbody> <tr> <td><b>A</b></td> <td>Aluminum - 6061-T6 3000<sup>†</sup> psi • 20.7 MPa</td> </tr> <tr> <td><b>D</b></td> <td>Ductile Iron - D4512 5000<sup>†</sup> psi • 34.5 MPa</td> </tr> <tr> <td colspan="2"><sup>†</sup> Working pressure should be considered in accordance with ISO 4413 to determine appropriate material type.</td> </tr> </tbody> </table>	Material		<b>A</b>	Aluminum - 6061-T6 3000 <sup>†</sup> psi • 20.7 MPa	<b>D</b>	Ductile Iron - D4512 5000 <sup>†</sup> psi • 34.5 MPa	<sup>†</sup> Working pressure should be considered in accordance with ISO 4413 to determine appropriate material type.		<table border="1"> <thead> <tr> <th colspan="2">Valve Pattern</th> </tr> </thead> <tbody> <tr> <td><b>D05</b></td> <td>ISO 4401-05-04 NFPA T3.5.1-D05 See Tech Information</td> </tr> </tbody> </table>	Valve Pattern		<b>D05</b>	ISO 4401-05-04 NFPA T3.5.1-D05 See Tech Information	<table border="1"> <thead> <tr> <th colspan="2">Product Type</th> </tr> </thead> <tbody> <tr> <td><b>TP</b></td> <td>Tapping Plate</td> </tr> </tbody> </table>	Product Type		<b>TP</b>	Tapping Plate	<table border="1"> <thead> <tr> <th colspan="2">No. of Stations</th> </tr> </thead> <tbody> <tr> <td><b>02</b></td> <td>02 Stations</td> </tr> </tbody> </table>	No. of Stations		<b>02</b>	02 Stations	<table border="1"> <thead> <tr> <th colspan="2">Valve Spacing</th> </tr> </thead> <tbody> <tr> <td><b>3</b></td> <td>3.25 inch 82.6 mm</td> </tr> <tr> <td><b>5</b></td> <td>5.00 inch 127.0 mm</td> </tr> </tbody> </table>	Valve Spacing		<b>3</b>	3.25 inch 82.6 mm	<b>5</b>	5.00 inch 127.0 mm	<table border="1"> <thead> <tr> <th colspan="2">Circuit</th> </tr> </thead> <tbody> <tr> <td><b>AB</b></td> <td>A1 common to A2 B1 common to B2</td> </tr> </tbody> </table>	Circuit		<b>AB</b>	A1 common to A2 B1 common to B2
Material																																			
<b>A</b>	Aluminum - 6061-T6 3000 <sup>†</sup> psi • 20.7 MPa																																		
<b>D</b>	Ductile Iron - D4512 5000 <sup>†</sup> psi • 34.5 MPa																																		
<sup>†</sup> Working pressure should be considered in accordance with ISO 4413 to determine appropriate material type.																																			
Valve Pattern																																			
<b>D05</b>	ISO 4401-05-04 NFPA T3.5.1-D05 See Tech Information																																		
Product Type																																			
<b>TP</b>	Tapping Plate																																		
No. of Stations																																			
<b>02</b>	02 Stations																																		
Valve Spacing																																			
<b>3</b>	3.25 inch 82.6 mm																																		
<b>5</b>	5.00 inch 127.0 mm																																		
Circuit																																			
<b>AB</b>	A1 common to A2 B1 common to B2																																		