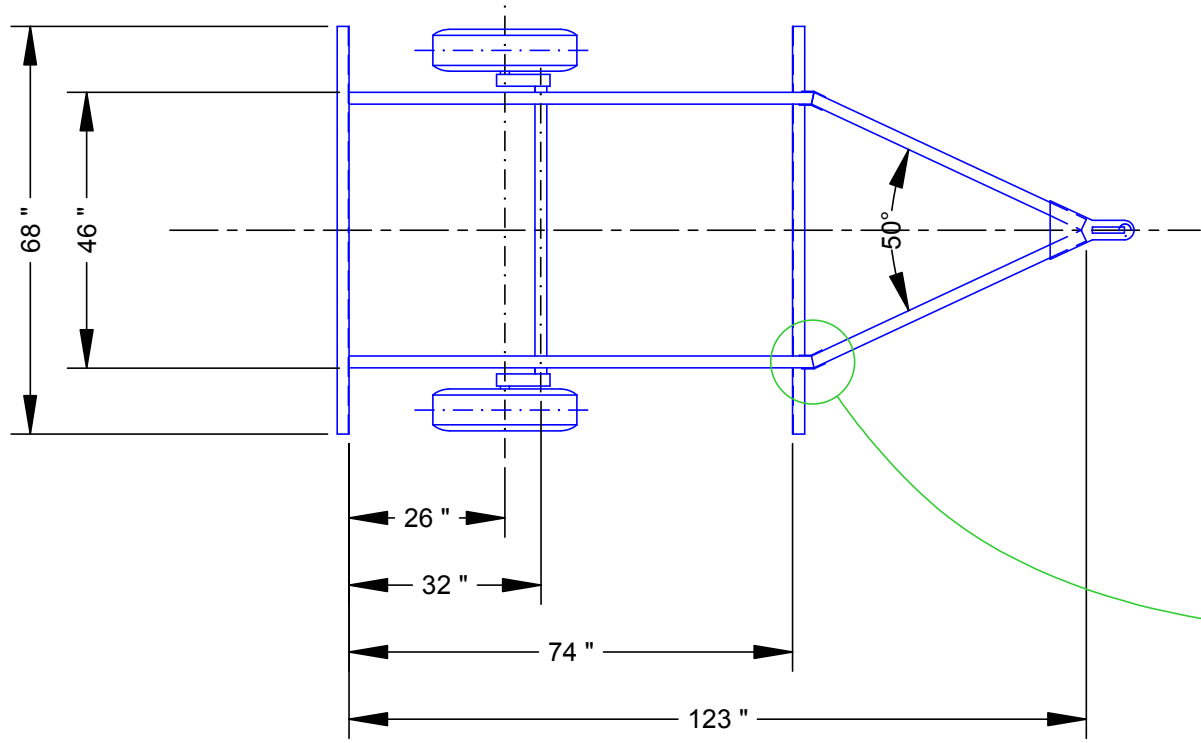
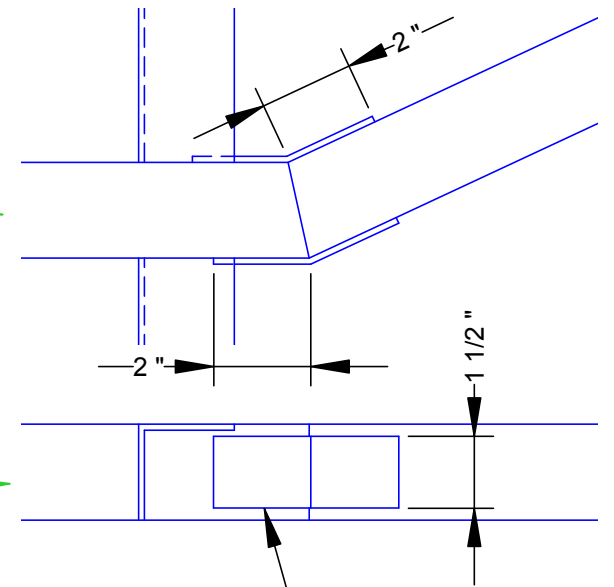
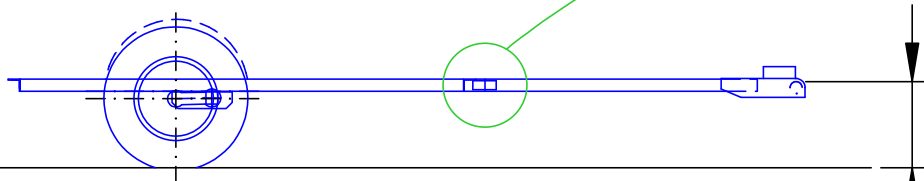


WIDGET 6
Chassis
1:32 & 1:4



175/80R13 on Dexter #9,
60" hubface, 0" offset,
7" overhang, 22.5deg down,
max capacity 2200 lb



1/8" Flitch Plates

~14 1/2"

WIDGET 6
Chassis Components
1:8

