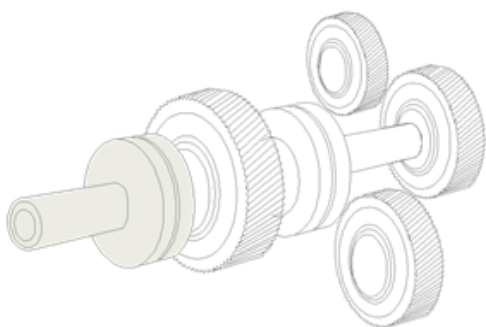


Company details	
Company address:	Sasol Energy
	Sasol Place
	50 Katherine Street, Sandton, 2090, South Africa
Postal address:	PO Box 5486, Johannesburg, 2000
Contact detail:	<a href="mailto:Techserve@sasol.com">Email- Techserve@sasol.com</a> , <a href="tel:08603354444">Contact Centre Tel.- 0860 335 4444</a>
Web page:	<a href="http://www.Sasol.com">www.Sasol.com</a>

### Product Description

Sasol Circulating & Gear Oil 150, 220 & 320 are zinc-free, high-quality, rust and oxidation-inhibited oils having excellent anti-rust, anti-oxidation and anti-foam properties. They combine the functions of lubricating and hydraulic oils into a single product.



### Typical Application

Sasol Circulating & Gear Oil 150, 220 & 320 are intended for:

- hydraulic systems
- pumps containing silver-plated components
- plain and antifriction bearings
- enclosed gears operating under light to moderate loads
- certain compressors and machine tools
- automotive gears operating under API GL-1 conditions

### Product Characteristics

Sasol Circulating & Gear Oil 150, 220 and 320 could be used in most lightly to moderately loaded enclosed gears where extreme pressure properties are not required. These oils are non-corrosive to silver and can safely be used in the presence of components plated with this metal.

## Physical Properties

Property	Method	Units	150	220	320
Kinematic Viscosity @ 100°C	ASTM D445	mm <sup>2</sup> /s	15	19	29
Kinematic Viscosity @ 40°C	ASTM D445	mm <sup>2</sup> /s	160	219	320
Viscosity Index	ASTM D2270		102	97	97
Pour Point	ASTM D97	°C	-12	-6	-6
Flash Point(COC)	ASTM D92	°C	230	240	250
Density @ 20°C	ASTM D4052	kg/m <sup>3</sup>	888	892	893
Neutralisation number	ASTM D 974	mgKOH/g	0.4	0.4	0.4
Demulsibility @ 54 °C	ASTM D 1401	ml	0	0	0
Copper Corrosion (3 hour @ 100 °C)	ASTM D 130	Rating	1b	1b	1b
Rust Preventing Characteristics @ 60°C	ASTM D 665B	Rating	Pass	Pass	Pass

## Product Specifications

	Specification	Approved	Meets Specification
AGMA	250.04(4) & (5) R & O		√
API	GL-1		√
ISO	11158		√
David Brown	4 M & 5M		√
DIN	51506		√
AFNOR	NF E 48-603		√
ISO	6743/4		√
ISO	DP6521		√
DIN	51524 PART 2 & 3		√
DENISON	HF-0, HF-1 & HF-2		√
CINCINATI	P-68, P-69, P70		√
US STEEL	126, 127, 136		√

## Processing / Use Guidelines

As indicated in the product description and application section.

### Product Supply and Packaging

Product supplied as a gas, solid, liquid.

Packaging types:

20 L and 210 L stainless steel drums.

### Storage

Do not store at/above or below certain temperature.

Use within 5 years of manufacturing date.

Keep out of direct sun, away from ignition sources, etc.

### Safety

If in contact with eyes, refer to the SDS.

If in contact with skin, refer to the SDS.

If ingested, refer to the SDS.

In case of fire, refer to the SDS.

### Recycling / Disposal

Recycling / disposal of both product and container should be addressed in terms of the applicable laws.

### Related Documents

Refer to the Sasol Circulating & Gear Oil 150, 220 & 320 Safety Data Sheets.

### **Disclaimer**

*This PDS provides information regarding the properties, characteristics, health, safety and environmental hazards of the product at the date of issue, to facilitate the safe receipt, use and handling of this product in the workplace and does not replace any product information or product specifications. Since Sasol and its subsidiaries cannot anticipate or control all conditions under which this product may be handled, used and received in the workplace, it remains the obligation of each user, receiver or handler to, prior to usage, review this SDS in the context within which this product will be received, handled or used in the workplace. The user, handler or receiver must ensure that the necessary mitigating measures are in place with respect to health and safety. This does not substitute the need or requirement for any relevant risk assessments to be conducted. It further remains the responsibility of the receiver, handler or user to communicate such information to all relevant parties that may be involved in the receipt, use or handling of this product. Although all reasonable efforts were exercised in the compilation of this PDS, Sasol does not expressly warrant the accuracy of, or assume any liability for incomplete information contained herein or any advice given. When this product is sold, risk passes to the purchaser in accordance with the specific terms and conditions of sale.*

**Revision date: October 2020**