

A decorative graphic at the bottom of the page consisting of a large, wavy shape. The top part is light grey, and the bottom part is a gradient of orange and yellow. The text is centered within this graphic.

USER MANUAL
MODEL #: BLZ-WVH-42

TABLE OF CONTENTS



1	<i>Safety Notice</i>	III-V
<hr/>		
2	<i>Diagrams</i>	1-3
	Hood Dimensions1
	Control Panel2
	Clearance3
<hr/>		
3	<i>Installation</i>	4-8
	Instructions4
	Venting Options5
	Hood Installation	6-7
	Motor Rotation Instructions8
<hr/>		
4	<i>Care & Cleaning</i>	9-10
	Wiring Diagram	10
<hr/>		
5	<i>Troubleshooting</i>	11
<hr/>		
6	<i>Warranty Information</i>	12
	Warranty	12

UPON RECEIPT OF YOUR HOOD:

- 1) Inspect your hood for any damage in shipping
- 2) **Plug in and test controls (lights, fan) before installing**
- 3) Call your dealer immediately to report any damage

Please note: You must report any damage directly to your dealer immediately upon receipt to address any issues.



CALIFORNIA PROPOSITION 65 WARNING

WARNING: This product can expose you to chemicals including Chromium (hexavalent compounds), which are known to the State of California to cause cancer and birth defects or other reproductive harm. For more information go to: www.P65Warnings.ca.gov



IMPORTANT SAFETY NOTICE

Installer: Leave this guide with the homeowner.

Consumer: Keep this guide for future reference.

The Important Safety Notice and warnings in this manual are not meant to cover all possible problems and situations that can occur. Use common sense and caution when installing, maintaining or operating this or any other appliance.

Always contact your dealer with any problems or situations that you do not understand.

SAFETY SYMBOLS AND LABELS



DANGER

To avoid the possibility of explosion or fire, do not store or use combustible, flammable or explosive vapors and liquids (such as gasoline) inside or in the vicinity of this or any other appliance. Keep items that could explode (such as aerosol cans) away from cook-top burners, ovens and range hoods. Do not store flammable or explosive materials in adjacent cabinets or surrounding areas.



WARNING

WARNING - TO REDUCE THE RISK OF FIRE, ELECTRIC SHOCK, OR INJURY TO PERSONS, OBSERVE THE FOLLOWING:

1. Use this unit only in the manner intended by the manufacturer. If you have questions, contact your dealer. Before servicing or cleaning your hood, turn the power off.

GENERAL SAFETY PRECAUTIONS:

To reduce the risk of fire, electric shock, serious injury or death when using your range hood, follow basic safety precautions, including the following:



IMPORTANT SAFETY NOTICE



WARNING

- ◆ If you receive a damaged product, immediately contact your dealer. Do not install or use a damaged hood.
- ◆ Do not install, repair or replace any part of the range hood unless specifically recommended in the literature accompanying it.
- ◆ Use the range hood only for its intended purpose as outlined in this manual. DO NOT use this range hood to vent hazardous or explosive materials or vapors.
- ◆ Do not tamper with the controls.
- ◆ Never allow the filters to become blocked or clogged. Do not allow foreign objects, such as cigarettes or napkins, to be sucked into the hood.
- ◆ If the cook-top and range hood is near a window, use an appropriate window treatment . Avoid long drapes or other window coverings that could blow over the cook-top and hood, resulting in a fire hazard.
- ◆ **Always run the blower(s) while the appliance is in operation. Failure to do so could result in the overheating and failure of components.**
- ◆ Do not leave children or pets alone or unattended in the area while the cook-top and range hood are in use.
- ◆ The minimum vertical distance between the cooking surface and the exterior part of the hood must be no less than 36". The vertical distance may be longer for the range or cook-top being used.

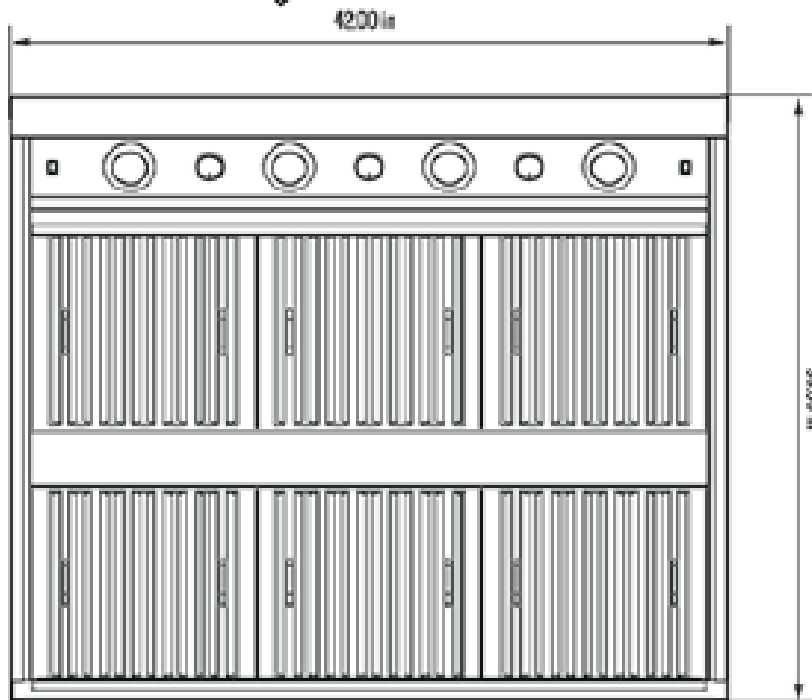
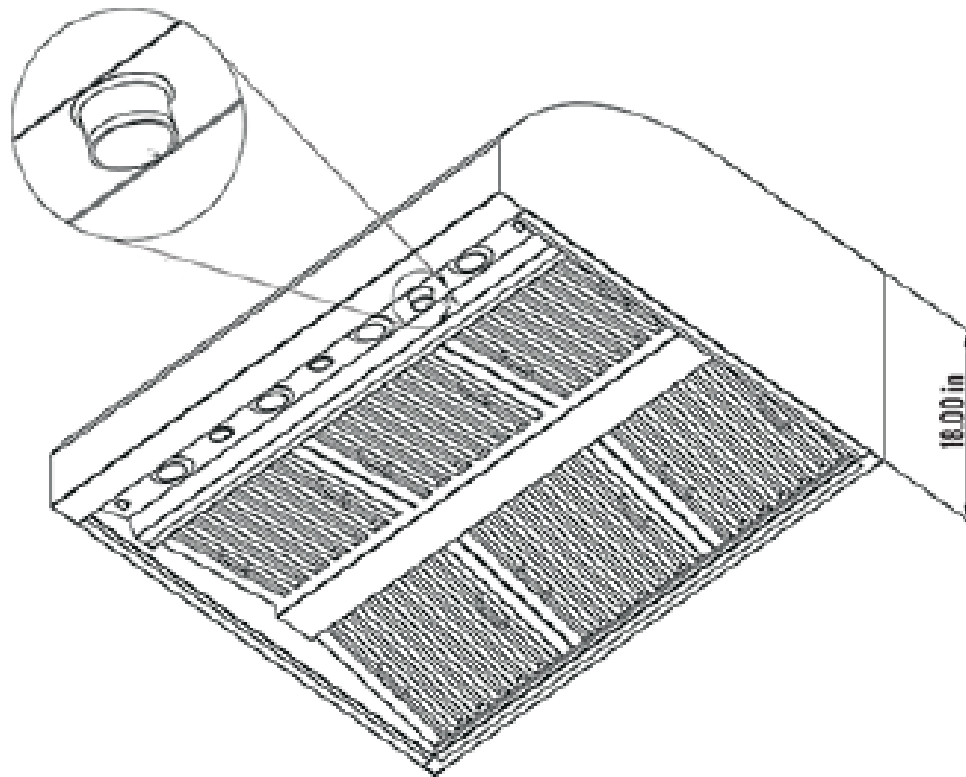
To reduce the risk of a range top grease fire:

1. Never leave surface units unattended at high settings. Boil-overs cause smoking and greasy spills that may ignite. Heat oils slowly on low or medium settings.
2. Always turn hood ON when cooking.
3. Clean ventilating fans frequently. Grease should not be allowed to accumulate on fan or filter.

To reduce the risk of injury to person in the event of a range top grease fire:

4. SMOTHER FLAMES with a close-fitting lid, cookie sheet or metal tray, then turn off the burner. BE CAREFUL TO PREVENT BURNS. If the flames do not go out immediately, EVACUATE AND CALL THE FIRE DEPARTMENT .
5. NEVER PICK UP A FLAMING PAN - you may be burned.
6. DO NOT USE WATER, including wet dish clothes or towels - a violent steam explosion may result.

BLAZE BBQ HOOD



SAFETY

DIAGRAMS

INSTALLATION

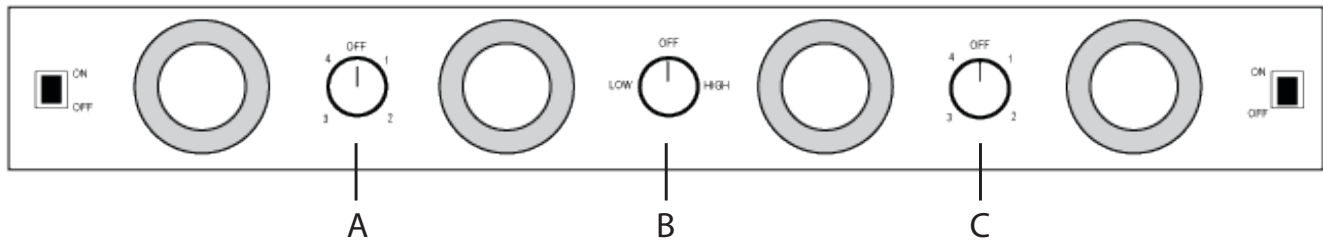
FILTERS

CARE

TROUBLESHOOTING

PURCHASE INFO

CONTROL PANEL



A) LEFT FAN:

To adjust the intensity of the left fan, push in and let out on the knob on the far LEFT side which will allow the knob to extend outwards from the control panel. Each fan has 4 speed settings. Turning the knob once clockwise will start the fan in the lowest speed setting. Continuing to turn the knob clockwise will allow the fan to advance to the highest setting. Turning counter clockwise will return the fan to the original position and stop the fan. Pushing the knob in and releasing will return the knob to the original flush mounted position.

B) LIGHTS:

To turn on the lights, push in and let out on the knob in the CENTER which will allow the knob to extend outwards from the control panel. Turning the knob clockwise will turn on the lights in the lowest setting. Continuing to turn the knob clockwise will allow the lights to advance to the highest setting. Turning counter clockwise will return the lights to the original position and turn them off. Pushing the knob in and releasing will return the knob to the original flush mounted position.

C) RIGHT FAN:

To adjust the intensity of the right fan, push in and let out on the knob on the far RIGHT side which will allow the knob to extend outwards from the control panel. Each fan has 4 speed settings. Turning the knob once clockwise will start the fan in the lowest speed setting. Continuing to turn the knob clockwise will allow the fan to advance to the highest setting. Turning counter clockwise will return the fan to the original position and stop the fan. Pushing the knob in and releasing will return the knob to the original flush mounted position.

CLEARANCE DIMENSIONS

SAFETY

DIAGRAMS

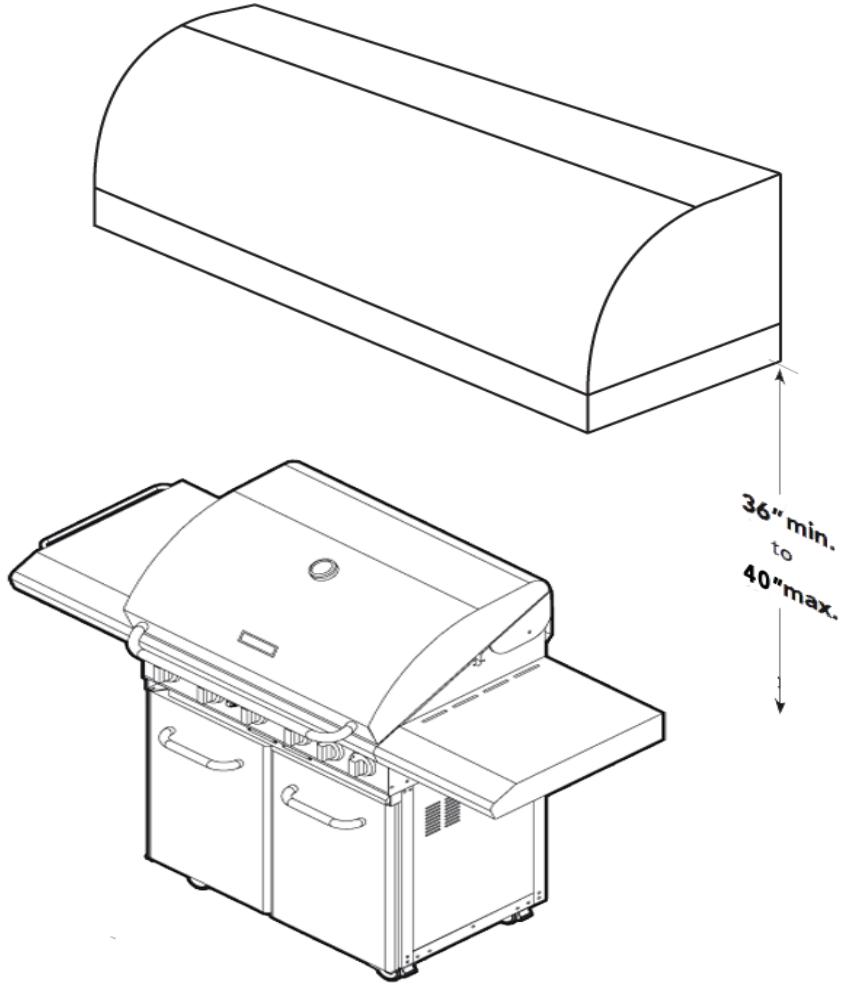
INSTALLATION

FILTERS

CARE

TROUBLESHOOTING

PURCHASE INFO



INSTRUCTIONS



WARNING

It is important to install the hood at the proper mounting height. Hoods mounted too low could result in heat damage and fire hazard. Hoods mounted too high will be hard to reach and will lose performance and efficiency.

For best installation, we recommend you:

- ◆ Plug in and test controls (lights, fan) before installing.
- ◆ Allow 36-40" between the top of your cooking surface and the bottom of hood
- ◆ Vent through a sidewall if you cannot vent directly above your range hood
- ◆ Vent with completely straight runs of pipe. If necessary, use as few elbows in the venting as possible, with no more than 3 90-degree elbows. Every elbow in the ducting reduces airflow and the vent hoods performance.
- ◆ Make sure there is at least 24" of straight vent between any elbows
- ◆ Use silver or duct tape to seal all joints in the vent system
- ◆ Use caulking to seal exterior openings around the cap
- ◆ Always use metal or aluminum ducts for maximum airflow
- ◆ Always keep the duct clean to ensure proper airflow

DO NOT:

- ◆ Terminate the vent system into an attic or other enclosed area
- ◆ Use 4" (10.2cm) laundry-type wall caps
- ◆ Use plastic venting
- ◆ Use corrugated flexible ducting.
- ◆ Combine ducting (see below NOTE)

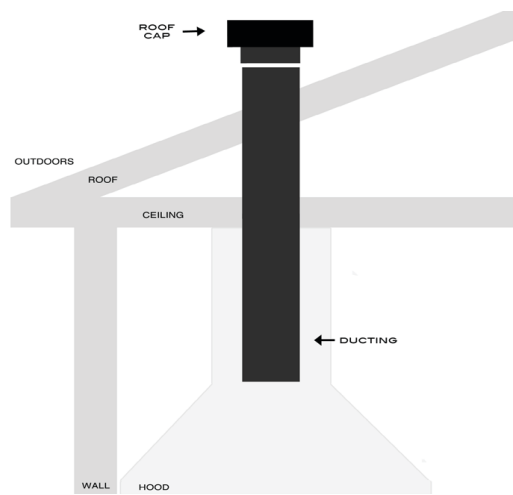
Note: This model comes with two vent outlets each ready to accept 8" pipe. To ensure proper performance, maintain the dual exhaust paths vs. combining into a single pipe. Combining into a single pipe can create a competition between the two motors either creating poor performance and/or one motor overtaking the other. As vented as described above, one would require two vent caps with damper and screen each having a rating of 1000 CFM per cap.

VENTING OPTIONS

WALL VENTING

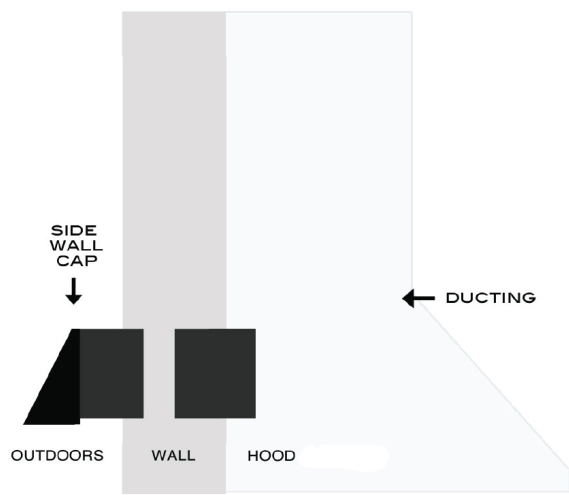
Option 1

VERTICAL ROOF VENTING

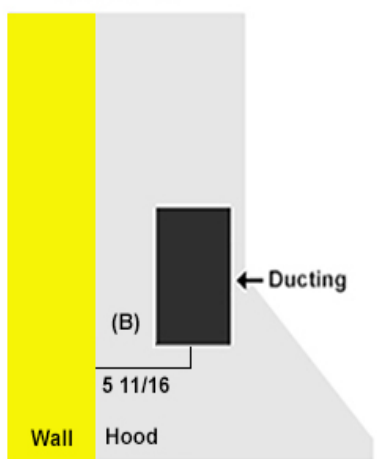


Option 2

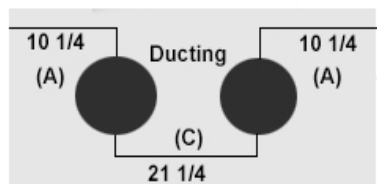
DIRECT WALL VENTING



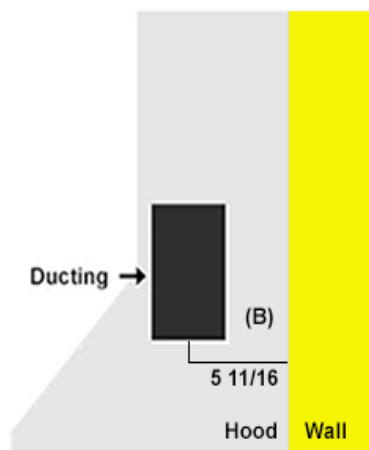
SIDE VIEW



TOP VIEW



SIDE VIEW



A - 10 1/4" from the side edge of the hood to the center of the duct
 B - 5 11/16" from the wall to the center of the duct (using the included mounting bracket which is between the wall and hood and is roughly an 1/8" thick)
 C - 21 1/4" from the center of the duct to the center of the duct
***Note: the included transition pieces come ready to accept 8" ducting**

SAFETY

DIAGRAMS

INSTALLATION

FILTERS

CARE

TROUBLESHOOTING

PURCHASE INFO

WALL HOOD INSTALLATION

PREPARATION

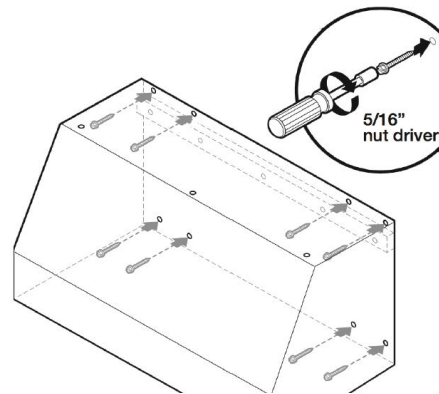
Plan where the ductwork will be located. Install proper-sized ductwork, and roof or wall cap, depending on where you will be venting your hood. Adjust your measurements to accommodate heights of ceilings, cabinets, or range-tops. **Remember to plug in and test the hood prior to installation.** When planning for the installation of the vent hood - please include an opportunity to access the top of the hood when the installation is complete. This is necessary for service and or replacing parts over time as there are several fasteners that will need to be accessed over time.

Electrical Requirements - Hood comes with 4-foot cord, and will plug into the top of the hood and then into an 110V GFI protected outlet that should be wired to a 15 AMP breaker.

STEP 1

Secure hood to wall studs using the appropriate screws (not included) for the material you are mounting to. If necessary, use additional mounting screws and wall anchors. If your stud does not line up with the provided screw holes, you may drill into the hood.

Note: These are suggested mounting points only. Find the stud closest to these mounting points, and create new holes in the hood there.



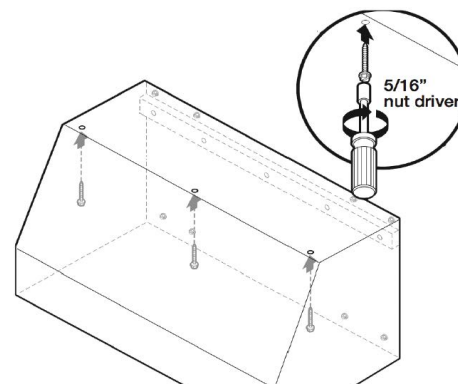
INSTALLATION TIP:

Use the mounting bracket (pictured) to help secure the hood to the wall.



--OPTIONAL--

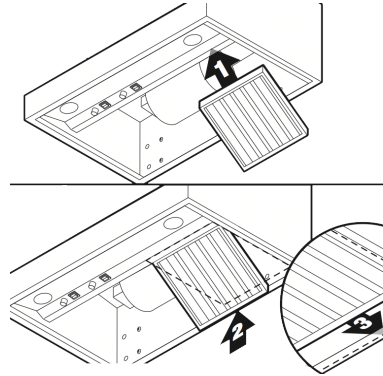
If not using a duct cover, using screws, make sure top mounting screws are secured into soffit or cabinet framing use additional mounting screws, if necessary



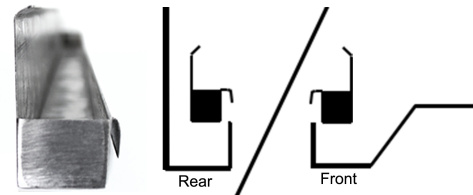
WALL HOOD INSTALLATION

STEP 2

Install the two grease trays in the front and back of the unit. When installed, these trays will accept the grease filters on the bottom side.

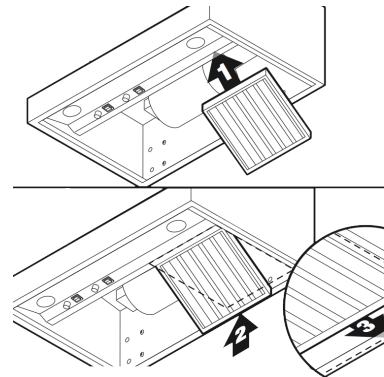


When installing the drip trays, place each tray in the recession at the front and rear as show in the drawing. Be sure to have the small front bend hook over the lip of the recession.



STEP 3

Install all grease filter handles to the filters using the included screws. Three filters cover the front section of the hood and three cover the rear. Install the filters leaving the bottom of the filters resting in the previously installed grease trays and the tops will lay in the U shaped channel in the center support. Install the center grease trays first (as there is an opening for the tray to leaving the middle tray for last.



Electrical Requirements - Hood comes with 4-foot cord, and will plug into a 110V outlet which should be wired to a 15 AMP breaker.

MOTOR ROTATION INSTRUCTIONS

GETTING STARTED

The image to the right shows the position of the motors directly from the factory. This position of the motor is used when running vertical pipe for your venting.

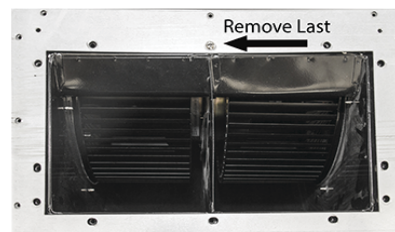


STEP 1 REMOVE COVER PLATE

There are two sets of screws you will be working with on the cover plate. The smaller screws closest to the edges of the plate hold the plate to the hood itself. The larger screws closer to the center hold the motor to the cover plate. Remove all of the smaller screws holding the cover plate to the hood body.

STEP 2 REMOVE MOTOR SCREWS

Next, remove all of the larger screws, which hold the motor to the cover plate leaving the center screw. The center screw to be left in place can be seen in the below image.



STEP 3 DETACH MOTOR FROM PLATE

Holding the center of the motor, remove the final screw, which will free the motor from the cover plate. Lower the motor gently until it comes to resting position.

STEP 4 ROTATE MOTOR

At this point, the cover piece can be removed and you are ready to rotate the motor to the horizontal discharge position. When lifting the motor out of the housing, tilting the motor down on one side is typically the best method for getting the motor out of the opening.

Once out of the hood, simply rotate 180 degrees and place the motor back into the hood. For both the removal and reinstallation of the Motor, be careful not to pinch the wiring. Allow it to rest at the initial position when you started.



STEP 5 REPLACE THE COVER PLATE

Next, re-install the cover plate with the discharge in the horizontal position. The cover plate can be reattached with the small screws.

STEP 6 ATTACH THE MOTOR

Re attach the motor to the cover plate. Start with the center screw which was the last screw removed when the motor was disattached. Once the initial screw is in place, attach the remaining screws to hold the motor onto the cover plate.



STEP 7 SECURE LOOSE CABLES

You will find some of the connecting cables now lying below the motor. Secure wires above motor and the rotation process is complete. Repeat same process for additional motor.

CARE & CLEANING



WARNING

- ◆ Never put your hand into the area housing the fan while the fan is operating.
- ◆ Turn off and disconnect power to the hood before cleaning.
- ◆ Make sure your cook-top and hood are cool before cleaning.
- ◆ Use only the types of cleaning solutions mentioned in this manual.
- ◆ Completely dry the filter(s) immediately after cleaning.

CLEANING EXTERIOR SURFACES

- ◆ Regular care will help preserve the appearance of your range hood .
- ◆ Always wipe stainless steel surfaces with the grain to avoid scratches .
- ◆ Clean periodically with hot soapy water and clean cotton cloth .
- ◆ For heavier soil, use a liquid degreaser such as 409™ or Fantastic™
- ◆ If hood looks splotchy, use a stainless steel cleaner on the surface. Promptly and gently remove cleaner with a soft towel or wipe .
- ◆ After cleaning, you may use non-abrasive stainless steel polish (such as 3m™ or ZEP™) to buff out stainless luster Always scrub lightly and with a clean cotton cloth.



DO NOT:

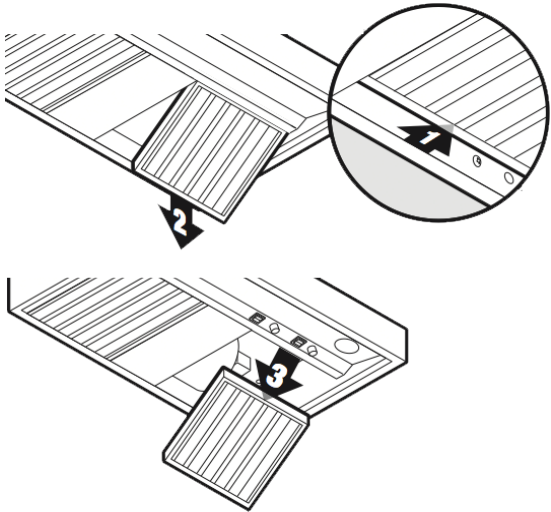
- ◆ Use corrosive or abrasive detergent (eg, Comet Power Scrub™ or EZ-Off™ oven cleaner).
- ◆ Use steel wool or scouring pads, which will scratch and damage the stainless steel surface.
- ◆ Leak cleaning solution onto or into the control panel .
- ◆ Allow deposits to accumulate or remain on the hood .
- ◆ Allow salt solutions, disinfectants, bleaches, or cleaning compounds to remain in contact with the stainless steel for extended periods.

CLEANING BAFFLE FILTERS

All BLAZE BBQ hoods come with stainless steel baffle filters They should be inspected for grease accumulation periodically The baffle filters can be washed in a dishwasher or in a sink with hot, soapy water Simple periodic cleaning will ensure maximum filter effectiveness .

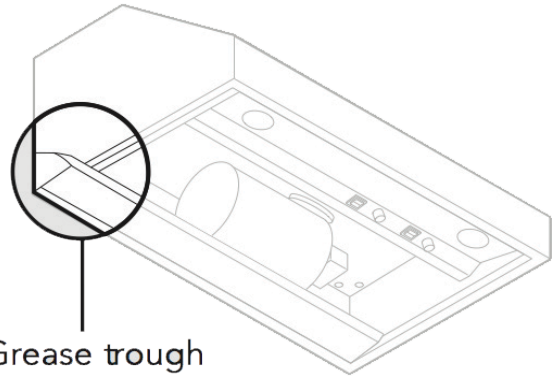
CARE & CLEANING

STEP 1

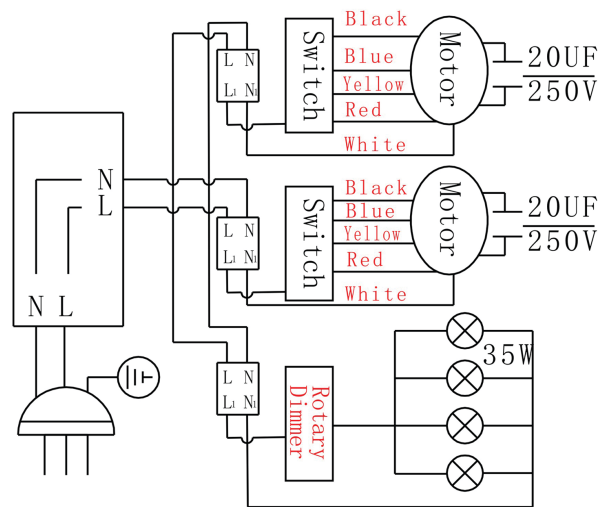


Slide filter forward off of rear lip. Lower filter rear, then slide filter front out. Repeat this step for all filters on the front and back of the hood.

STEP 2



When cleaning filters, always remove the grease channels and clean with hot soapy water. Both the filters and the channels are dishwasher safe. Dry thoroughly before re-installing.



Wiring Diagram

TROUBLESHOOTING

NOTHING WORKS (Control Panel not responding, Blower not working)

Solution 1: Turn on power at circuit breaker panel or fuse box . Check for tripped breaker or blown fuse under the black plastic cover on the rear of the hood.

Solution 2: Make sure hood power cable is plugged in and powered.

LIGHTS NOT TURNING ON

Solution 1: see “nothing works”

Solution 2: Check the wiring on the lights to insure a secure connection/ no. loose wires.

Solution 3: Swap out lights to determine if bulbs are defective.

RANGE HOOD VIBRATES WHEN BLOWER IS ON

Solution 1: Make sure the range hood has been secured properly to the ceiling or wall.

Solution 2: Ensure the two nuts (one on each side) on the blower moter’s axle are tight. These are accessible by removing the safety covers on each side.

Solution 3: Ensure the venting system is correct. Back-pressure caused by incorrect venting not only leads to poor performance but can also create vibrations at the hood.

BLOWER SYSTEM SEEMS WEAK

Solution 1: Increase the fan speed, ensure that it is at a high enough setting.

Solution 2: Make sure the ducting is sized and run correctly. Range hood will not function efficiently with insufficient duct size (IE, 9” duct over 8” hole).

Solution 3: Check to see if the duct is clogged or if the damper unit (half-circular flapper) is installed correctly. A tight mesh on the side wall cap unit might also cause restriction to the air flow.

Solution 4: Ensure the correct vent termination cap is used with whose cfm rating matches that of each motor.

AIR NOT VENTING OUT PROPERLY

Solution 1: Make sure there is at least 36” between the top of the cooking surface and the bottom of the hood.

Solution 2: Reduce the number of elbows and length of duct work. Check to ensure all joints are properly connected, sealed and taped.

Solution 3: Make sure power is on high speed for heavy cooking.

Solution 4: See checks under “Blower system seems weak” above.

WARRANTY

One Year Warranty - Parts Only

For one year from the date of original purchase, we will repair or replace any non-consumable parts or components that failed due to manufacturing defects.

ATTENTION International Customers: Please consult your selling dealer or distributor for specifics pertaining to your product warranty and procedure. No one else is authorized to perform any obligations under this warranty.

What is NOT Covered:

- ◆ Consumable parts such as light bulbs and filters (stainless, aluminum, or charcoal)
- ◆ Damage due to natural wear, improper maintenance, or use of abrasive cleaning products
- ◆ Chips, dents, or cracks due to abuse, misuse, or improper installation
- ◆ Damage caused by accident, fire, floods, or natural disaster



BLAZE[®]

OUTDOOR PRODUCTS

6620 Greenwell Springs Rd, Baton Rouge, LA 70805 · 1-866-976-9510 · <http://www.blazegrills.com/>

