



**AQUARIUS**  
®

*Kelvinator*®

White-Westinghouse®

# ILLUSTRATED PARTS BREAKDOWN

## WATER COOLER MODELS:

**CP3M-001D**

**CP3M-P**

**CP3M-001Z**

**CP3M-001D5/6**

**PLF3CM-D**

**PLF3CM-D001**

**PLF3CM-P**

**PLF3CM-P001**

**PLF3CM**

**PLF3CM-001**

**PLF3CMY-D**

**PLF3CMY-D001**



## SPECIFICATIONS

### Models CP3M-001D, CP3M-P, CP3M-Z, PLF3CM, PLF3CM-D, & PLF3CM-P

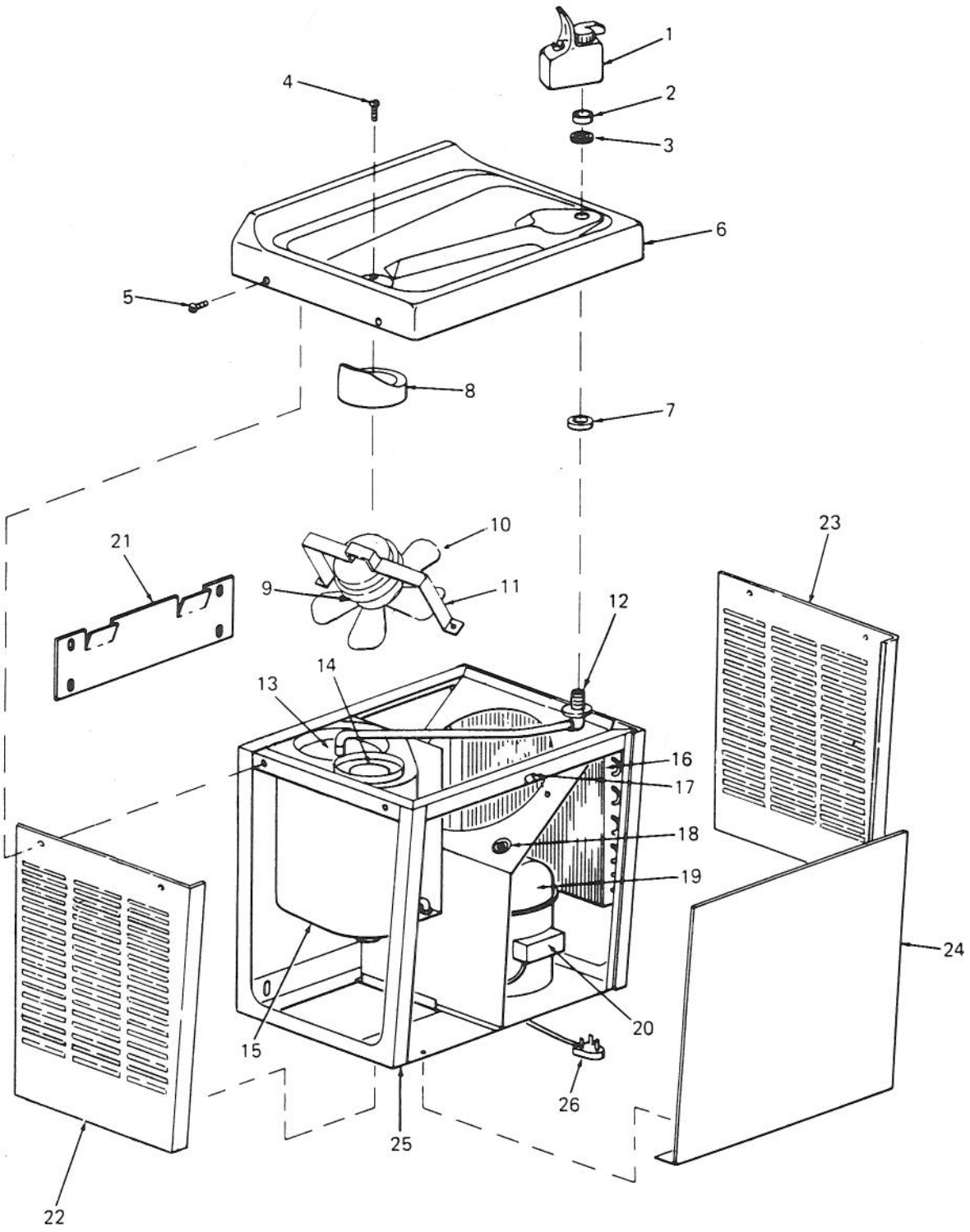
Voltage	115 VAC ±10%/1PH/60 Hertz
Size (Approx)	16" H., 17" W., 13" D.
Shipping Weight (Approx)	49 LBS.
Cold Water Capacity	3 GPH
Compressor - All Models	1/8 HP
Compressor (Full Load) 115 Volt	2.5 Amps
Refrigerant	R-12
Refrigerant Charge - All Models	3-1/8 OZ.

### Models CP3M-D5/6 & PLF3CMY-D

Voltage	220/240 Volt 50/60 Hertz
Size (Approx)	16" H., 17" W., 13" D.
Shipping Weight (Approx)	49 LBS.
Cold Water Capacity	3 GPH
Compressor - All Models	1/8 HP
Compressor (Full Load) 220 Volt	1.2 Amps
Refrigerant	R-12
Refrigerant Charge - All Models	3-1/8 OZ.

\*A.R.I. Rating: Room Temperature 90°F; Supply Water Temperature 80°F; Drinking Water Temperature 50°F.

Specifications subject to change without notice.



# PARTS LIST

ITEM NO.	DESCRIPTION	CP3M PLF3CM SERIES	CP3M-D5/6 PLF3CMY-D SERIES
1	12000 Bubbler Valve .....	026551-002	026551-002
	12000A Bubbler Valve (PLF-001 Series) .....	030774-002	030774-002
2	Valve Body Gasket .....	008983	008983
3	Friction Washer .....	009281	009281
4	Drain Screw .....	026655-002	026655-002
5	Top Screw .....	026630-005	026630-005
6	Top .....	028846-003	028846-003
7	Gasket (Under Top) .....	028706-001	028706-001
8	Waste Gasket .....	018050	018050
9	Fan Motor Assembly .....	027354-021	027354-006
10	Fan Blade .....	020243	020243
11	Fan Motor Bracket .....	026969	026969
12	Bubbler Supply Spud .....	029177-001	029177-001
13	Cooling Tank Assembly .....	029437-002	029437-002
14	Waste Assembly .....	019988	019988
15	Cooling Tank Insulation L/H .....	019990L	019990L
	Cooling Tank Insulation R/H .....	019990R	019990R
16	Condenser .....	028072-001	028072-001
17	Panel Clip .....	018156-001	018156-001
18	Cold Control .....	027040-007	027040-005
19	Compressor (Includes Item 20) .....	See Below	026883-003
20	Relay .....	See Below	026309
21	Hanger Bracket & Barrier Assembly .....	025662-002	025662-002
22	Left Side Panel – Tan .....	026935-003	026935-003
	Left Side Panel – Stainless Steel .....	026935-027	026935-027
23	Right Side Panel – Tan .....	026935-004	026935-004
	Right Side Panel – Stainless Steel .....	026935-028	026935-028
24	Front Panel – Tan .....	026925-001	026925-001
	Front Panel – Stainless Steel .....	026925-014	026925-014
25	Frame Assembly .....	029436-001	029436-001
26	Service Cord .....	026540-013	028625-002

## COMPRESSORS

### DANFOSS CP3M-D AND PLF3CM-D

19	*Compressor .....	026868-003
20	Relay .....	026867
	Overload .....	Internal

### PANASONIC CP3M-P AND PLF3CM-P

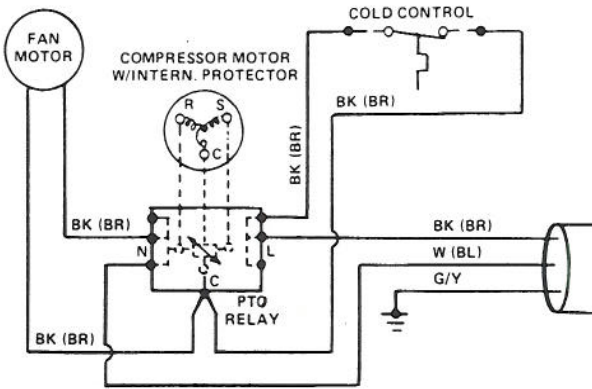
19	*Compressor .....	028570-003
20	Relay .....	027709-002
	Overload .....	Internal

### TECUMSEH CP3M-Z AND PLF3CM

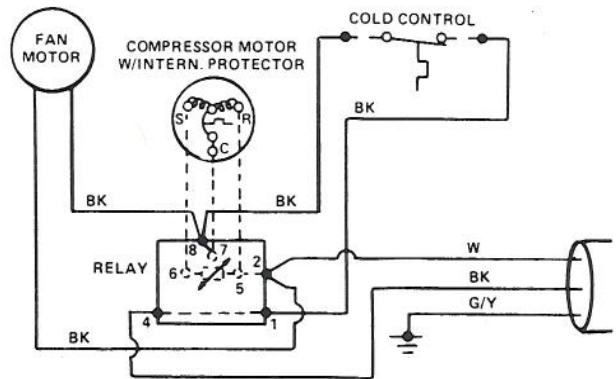
19	*Compressor .....	027245-001
20	Relay .....	027267-003
	Overload .....	027268-002

\*NOTE: Compressors include relay and overload.

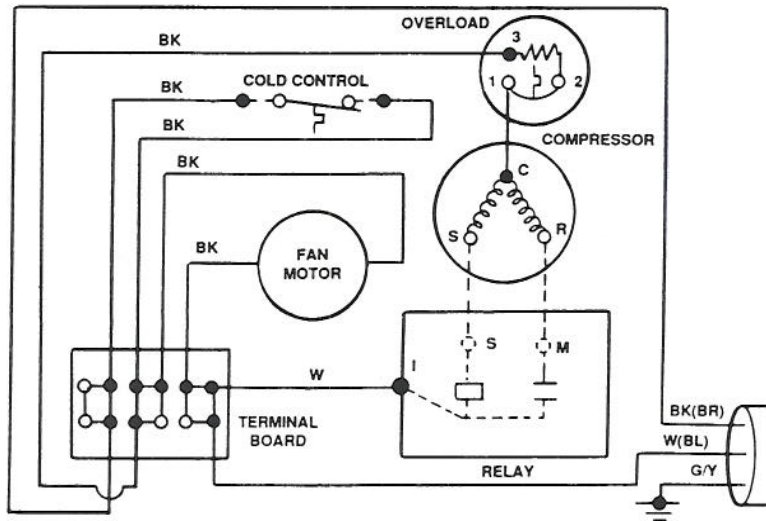
# ELECTRICAL DIAGRAM



**DANFOSS MODELS**



**PANASONIC MODELS**



**TECUMSEH MODELS**

OASIS® & AQUARIUS® are registered trademarks of EBCO Manufacturing Company  
 The trademarks Kelvinator® and White-Westinghouse® are used under license from White Consolidated Industries, Inc.

**EBCO**® **MANUFACTURING COMPANY**

265 N. Hamilton Rd. • P.O. Box 13150 • Columbus, OH 43213-0150 • 614/861-1350 • Fax: 614/861-5017

Copyright 1993 EBCO Manufacturing Co.