



**mirage**

Think smart. Think cool. Think Mirage.

hvacmirage.us

Job name: \_\_\_\_\_

Location: \_\_\_\_\_

Engineer: \_\_\_\_\_

Submitted to: \_\_\_\_\_

Submitted by: \_\_\_\_\_

Reference: \_\_\_\_\_

Approval: \_\_\_\_\_

Date: \_\_\_\_\_

Construction: \_\_\_\_\_

Unit #: \_\_\_\_\_

Drawing #: \_\_\_\_\_

**Submittal Page**  
 Model: Ventus 19 12k-220V  
 IVXH121A - OVXH121A

<b>Rated Voltage</b>		V,Hz,Ph	208/230V, 60Hz, 1 Ph
<b>Cooling</b>	Capacity	Btu/h	12000
	Input	W	1090
	Rated current	A	4.8
	SEER	Btu/w	17.5
<b>Heating</b>	Capacity	Btu/h	11800
	Input	W	1035
	Rated current	A	4.5
	HSPF4	Btu/w	9
	HSPF5	Btu/w	7.5
<b>Compressor</b>	Type		ROTARY
	Brand		GMCC
<b>Fan motor</b>	Indoor Speed (H/M/L)	r/min	1050/850/650
	Outdoor Speed	r/min	860/--/740
<b>Air flow</b>	Indoor (H/M/L)	CFM	294/206/141
	Outdoor	CFM	1120
<b>Noise level</b>	Indoor (H/M/L)	dB(A)	40.5/--/25
	Outdoor	dB(A)	57
<b>Dimensions</b>	Indoor Dimension (W*D*H)	inch	31.57x7.44x11.69
	Indoor Packing (W*D*H)	inch	34.45x11.22x14.76
	Outdoor Dimension (W*D*H)	inch	30.31x11.81x21.85
	Outdoor Packing (W*D*H)	inch	35.43x13.58x23.03
<b>Net/Gross weight</b>	Indoor   Outdoor	lbs.	18.7/22.5   65.0/70.5
<b>Design Pressure</b>		PSIG	550/340
<b>Refrigerant Piping</b>	Liquid Side / Gas Side	inch	1/4"   1/2"
<b>Refrigerant Type / Charge</b>		oz	R410A/30
<b>Additional charge for each ft.</b>		oz	--
<b>Operation temperature</b>	Indoor (cooling/heating)	°F	62~90/32~86
	Outdoor (cooling/heating)	°F	5~122/5~86

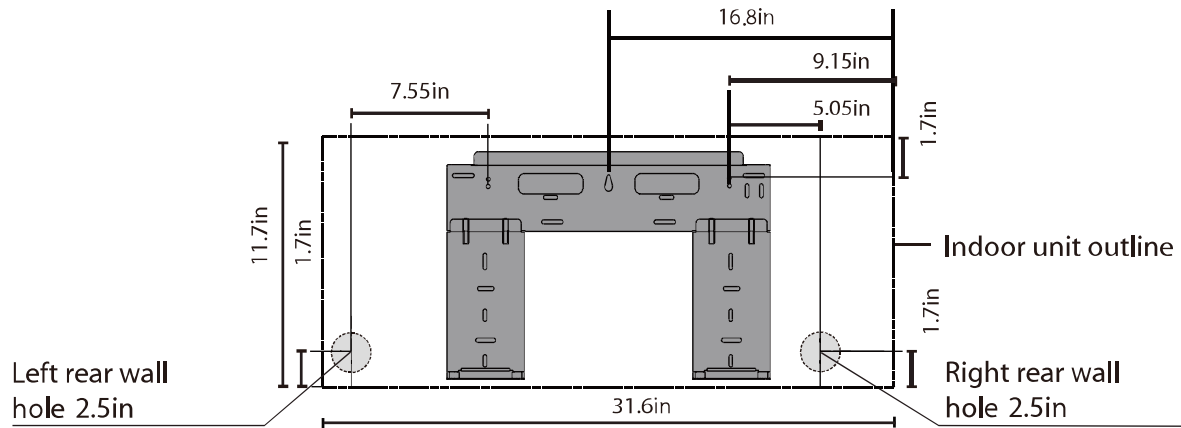


**mirage**

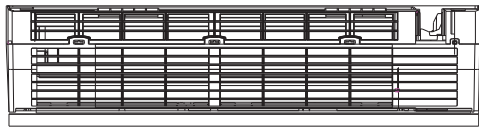
Think smart. Think cool. Think Mirage.

## Submittal Page

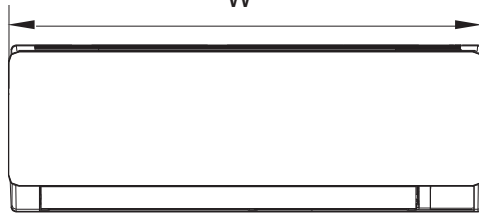
Model: Ventus 19 12k-220V  
IVXH121A - OVXH121A



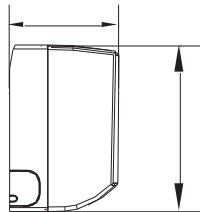
Model B



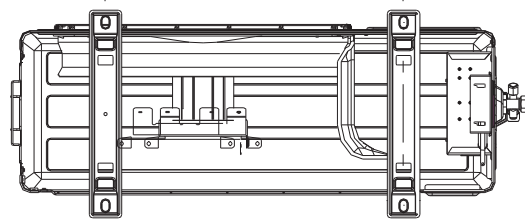
W



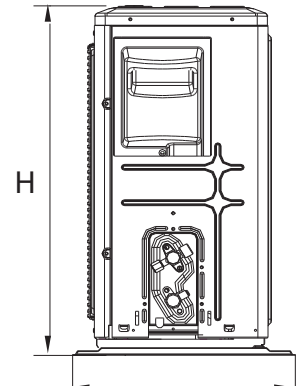
D



H



W



H

D