



**mirage**

Think smart. Think cool. Think Mirage.

hvacmirage.us

Job name: \_\_\_\_\_

Location: \_\_\_\_\_

Engineer: \_\_\_\_\_

Submitted to: \_\_\_\_\_

Submitted by: \_\_\_\_\_

Reference: \_\_\_\_\_

Approval: \_\_\_\_\_

Date: \_\_\_\_\_

Construction: \_\_\_\_\_

Unit #: \_\_\_\_\_

Drawing #: \_\_\_\_\_

**Submittal Page**

Model: Ventus 19 9k-115V  
IVXH090B - OVXH090B

<b>Rated Voltage</b>		V,Hz,Ph	115V, 60Hz, 1 Ph
<b>Cooling</b>	Capacity	Btu/h	9000
	Input	W	782
	Rated current	A	6.8
	SEER	Btu/w	19.5
<b>Heating</b>	Capacity	Btu/h	10000
	Input	W	925
	Rated current	A	8.1
	HSPF4	Btu/w	10
	HSPF5	Btu/w	7.8
<b>Compressor</b>	Type		ROTARY
	Brand		GMCC
<b>Fan motor</b>	Indoor Speed (H/M/L)	r/min	1050/850/600
	Outdoor Speed	r/min	800/--/650
<b>Air flow</b>	Indoor (H/M/L)	CFM	247.06/182.35/129.41
	Outdoor	CFM	1176.47
<b>Noise level</b>	Indoor (H/M/L)	dB(A)	38/32/25
	Outdoor	dB(A)	52
<b>Dimensions</b>	Indoor Dimension (W*D*H)	inch	28.43x7.36x11.42
	Indoor Packing (W*D*H)	inch	31.10x10.63x14.76
	Outdoor Dimension (W*D*H)	inch	30.31x11.81x21.85
	Outdoor Packing (W*D*H)	inch	35.43x13.58x23.43
<b>Net/Gross weight</b>	Indoor   Outdoor	lbs.	17.20/22.71   66.80/71.87
<b>Design Pressure</b>		PSIG	550/340
<b>Refrigerant Piping</b>	Liquid Side / Gas Side	inch	1/4"   3/8"
<b>Refrigerant Type / Charge</b>		oz	R410A/30
<b>Additional charge for each ft.</b>		oz	--
<b>Operation temperature</b>	Indoor (cooling/heating)	°F	62~89/32~86
	Outdoor (cooling/heating)	°F	5~109/13~86

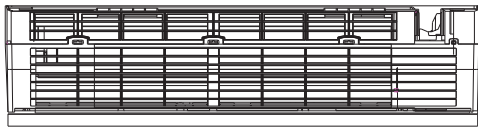
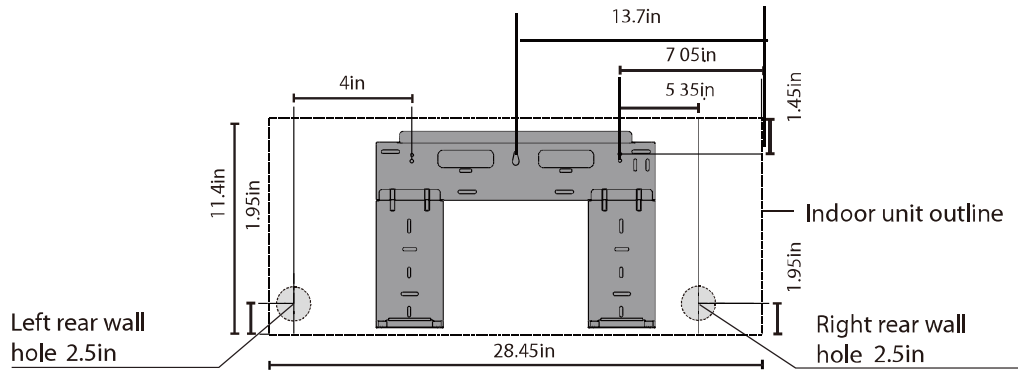


**mirage**

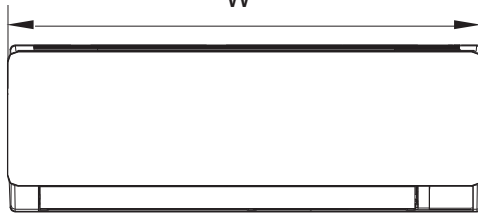
Think smart. Think cool. Think Mirage.

## Submittal Page

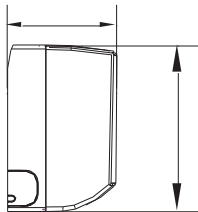
Model: Ventus 19 9k-115V  
IVXH090B - OVXH090B



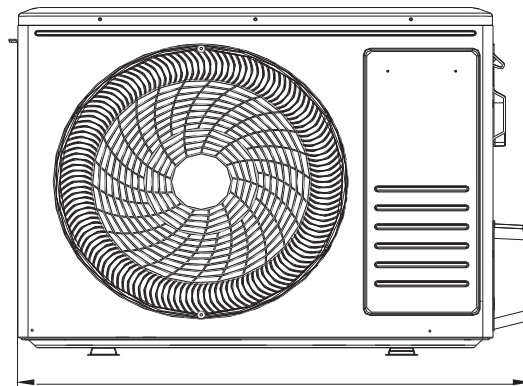
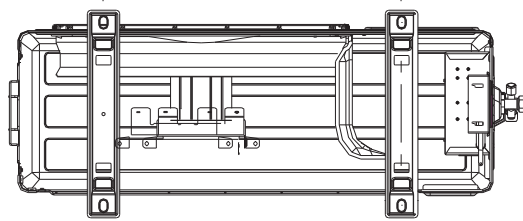
W



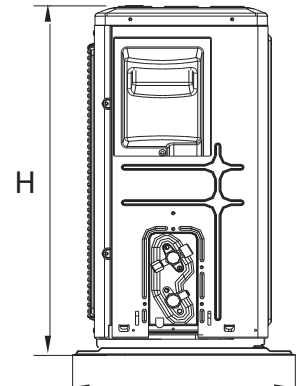
D



H



W



H

D