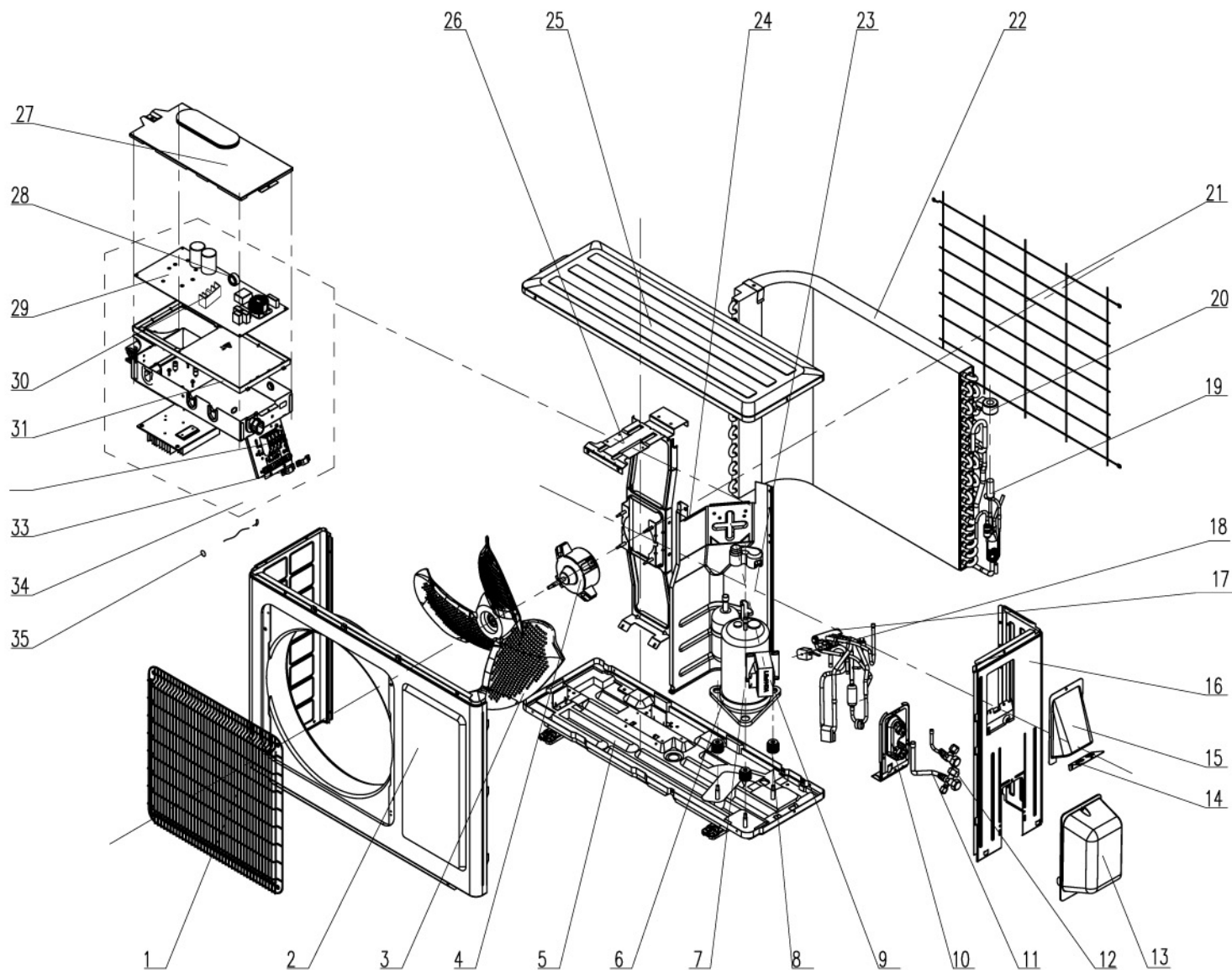


MODEL: EC18H121W

| No. | Name | Part No. |
|-----|--|------------|
| 1 | Front protection grill | 01473012 |
| 2 | Front cover | 0153501201 |
| 3 | Outdoor Fan | 10333012 |
| 4 | Condenser electrical motor | 15013159 |
| 5 | Mounting Chassis | 02803076P |
| 6 | Compressor oil heater | 76513004 |
| 7 | Compressor set | 00103851 |
| 8 | Compressor rubber supports | |
| 9 | Reactor | 43130185 |
| 10 | Valve support | 01713041 |
| 11 | Suction Valve | 07100005 |
| 12 | Liquid Valve | 07100003 |
| 13 | Valve cover | 22243010 |
| 14 | Cable holder | 02123013P |
| 15 | Connecting lid | 02123014P |
| 16 | Lateral cover | 013050901P |
| 17 | Reversing valve | 03123909 |
| 18 | Solenoid coil reversing valve | 4300040047 |
| 19 | Electronic Expansion Valve (EEV) | 07133676 |
| 20 | Solenoid EEV | 4300876701 |
| 21 | Rear protection grill | 01475014 |
| 22 | Condenser coil | 01163459 |
| 23 | Compressor overload protector (external) | 01232902 |
| 24 | Division guard | 01233090 |
| 25 | Top cover | 01253443 |
| 26 | Motor mounting support | 0170301002 |
| 27 | Electric control box top cover | 0260309601 |
| 28 | Magnetic Ring (current monitor) | 49010104 |
| 29 | Main Board | 30148248 |
| 30 | Heat sink | 49010252 |
| 31 | Electric control box | 20113005 |
| 32 | Terminal board | 42010313 |
| 33 | Wire clamp | 71010003 |
| 34 | Electric control box rear case | 02613191 |
| 35 | Discharge temperature sensor | 39000310 |



MODEL: EC18H121W

| No. | Name | Part No. |
|-----|------------------------------------|------------|
| 1 | Air Filter | 1112220403 |
| 2 | Front case-1 | 2001213931 |
| 3 | Front case-2 | 2001212303 |
| 4 | Evaporator coil | 0100232101 |
| 5 | Evaporator support | 24212091 |
| 6 | Air deflector | 10512157 |
| 7 | Central side Air deflector bearing | 10542036 |
| 8 | Protection grill | 01472013 |
| 10 | Vertical Air deflector-1 | 10512165 |
| 11 | Vertical Air deflector-2 | 10512164 |
| 12 | Left side Air deflector bearing | 10512037 |
| 13 | Indoor fan bearing | 26152022 |
| 14 | Indoor fan bearing rubber holder | 76512051 |
| 15 | Indoor fan | 10352017 |
| 16 | Water collector's Rubber cap | 76712012 |
| 17 | Mounting plate | 01252021 |
| 18 | Motor Cover | 26112161 |
| 19 | Pipes clamp | 26112164 |
| 20 | Water Hose | 0523001401 |
| 21 | Cable cross plate | 02122019 |
| 22 | Rear case (chassis) | 2220210309 |
| 23 | Blower Electrical motor | 15012089 |
| 24 | Swing motor | 1521212901 |
| 25 | Swing 's crank | 10582070 |
| 26 | Display Board | 30565007 |
| 27 | Ambient temperature sensor | 390000453 |
| 28 | Transformer | 321620027 |
| 29 | Electrical Box rear Case | 2030226801 |
| 30 | Electrical Box (control box) | 2011216702 |
| 31 | Terminal Board | 42011233 |
| 32 | PCB board (main Board) | 30138655 |
| 32 | Fuse | 38742533 |
| 33 | PCB board Jumper | 4202300108 |
| 34 | Pipes' temperature sensor | 390000591 |
| 35 | Electrical Box front Cover | 22242135 |
| 36 | Shield cover of electric box | 01592073 |
| 37 | Remote controller | 305100482 |
| 38 | Connection Lid | 2012207504 |
| 39 | Screw cover | 24252016 |
| 40 | Front panel | 20012548 |

